

Pump Assembly

The pump assembly is driven by a synchronous motor. The motor drives a pump which supplies 100 percent filtered water

Draining is accomplished by using a small separate synchronous drain pump mounted to the side of the sump. The drain pump is connected to the main pump by a small rubber hose. The drain check valve is located at the discharge end of the drain pump. The drain hose is attached by a clamp to the discharge end of the drain pump.

Heater

Refer to the cycle chart on the reverse side to determine when the heater is on during the wash cycle. The heater cycles **ON** and **OFF** for brief periods during the drying cycle.

Standard Dry Air Flow

The heated, moist air leaving the dishwasher through the lower vent causes drier air to be drawn into the unit by way of intake vents located at the side of the tub.

The drain hose must have a loop at a *minimum height of 32 inches* in order to insure proper drainage.

The water on the dishes is evaporated into drier air and the venting process continues. The heating element is turned **ON** and **OFF** during the entire drying cycle.

Detergent and Rinse Aid Dispenser

The detergent and rinse aid dispenser is a one piece component consisting of a molded detergent cup and a built-in rinse aid dispenser. The detergent cup has a spring loaded cover and the rinse aid dispenser has a removable cover.

Liquid rinse aid is added to the dispenser up to the fill line indicator. The amount of rinse aid released can be adjusted by turning the arrow indicator from one, being the least amount, to four, being the greatest amount.

Product Specifications

Electrical

Rating 120 Volts, 60Hz
Separate Circuit: 15 amp min. - 20 amp max.
Motor (Amps) 1 amp
Heater Wattage 475 - 630W
Total Amps (load rated) 8.7
TempAssure 135°F ±5°F
(60°C±3°C) [with outer door in place]
TempBoost 140°F ±5°F
Heated Wash/Heated Rinse
Hi-Limit Thermostat 200°F (93°C)

Water Supply

Suggested minimum incoming water temperature 120°F (49°C)
Pressure (PSI) min./max. 20/120
Connection (NPT) 3/8"
Consumption (Normal Cycle) 0.9
Water valve flow rate (U.S. GPM) 5.8-6.0 U.S. gal
Water recirculation rate (U.S. GPM) approx. 5.28
Water fill time 43 sec.

Trouble Shooting Tips

⚠ WARNING

Personal Injury Hazard

Always disconnect the dishwasher from the electrical power source before adjusting or replacing components.

Symptom	Check the Following	Remedy
---------	---------------------	--------

Dishwasher will not operate when turned on.	1. Fuse (blown or tripped).	1. Replace fuse or reset breaker.
	2. 120 VAC supply wiring connection faulty.	2. Repair or replace wire fasteners at dishwasher junction box.
	3. Electronic control board defective.	3. Replace control board.
	4. No 12 VAC power to control.	4. Replace control board.
	5. Motor (inoperative).	5. Replace motor/impeller assembly.
	6. Door switch (open contacts).	6. Replace latch assembly.
	7. Door latch not making contact with door switch.	7. Replace latch assembly.
	8. Touch pad circuit defective.	8. Replace console assembly.
	9. No indicator lamps illuminate when START or OPTIONS are pressed.	9. Replace console assembly.

Motor hums but will not start or run.	1. Motor (bad bearings).	1. Replace motor assembly.
	2. Motor stuck due to prolonged non-use.	2. Rotate motor/impeller.
	3. Glass or foreign items in pump.	3. Clean and clear blockage.
	4. Hi-Limit thermostat defective.	4. Replace thermostat.

Motor trips out on internal thermal overload protector.	1. Improper voltage.	1. Check voltage.
	2. Motor windings shorted.	2. Replace motor/impeller assembly.
	3. Glass or foreign items in pump.	3. Clean and clear blockage.

Dishwasher runs but will not heat.	1. Heater element (open).	1. Replace heater element.
	2. Electronic control board defective.	2. Replace control board.
	3. Wiring or terminal defective.	3. Repair or replace.
	4. Hi-Limit thermostat defective.	4. Replace thermostat.

Detergent cover will not latch or open.	1. Latch mechanism defective.	1. Replace dispenser.
	2. Electronic control board defective.	2. Replace control board.
	3. Wiring or terminal defective.	3. Repair or replace.
	4. Broken spring(s).	4. Replace dispenser.
	5. Defective actuator.	5. Replace dispenser.

Dishwasher will not pump out.	1. Drain restricted.	1. Clear restrictions.
	2. Electronic control board defective.	2. Replace control board.
	3. Defective drain pump.	3. Replace pump.
	4. Blocked impeller.	4. Check for blockage, clear.
	5. Open windings.	5. Replace pump assembly.
	6. Wiring or terminal defective.	6. Repair or replace.
	7. Pressure Switch Stuck.	7. Repair or replace.

Dishwasher will not fill with water.	1. Water supply turned off.	1. Turn water supply on.
	2. Defective water inlet fill valve.	2. Replace water inlet fill valve.
	3. Check fill valve screen for obstructions.	3. Disassemble and clean screen.
	4. Defective float switch.	4. Repair or replace.
	5. Electronic control board defective.	5. Replace control board.
	6. Wiring or terminal defective.	6. Repair or replace.
	7. Pressure Switch Stuck.	7. Repair or replace.

Dishwasher water siphons out.	1. Drain hose (high) loop too low.	1. Repair to proper 32-inch minimum height
	2. Drain line connected to a floor drain not vented.	

Detergent left in dispenser.	1. Detergent allowed to stand too long in dispenser.	
	2. Dispenser wet when detergent was added.	
	3. Detergent cover held closed or blocked by large dishes.	
	4. Improper incoming water temperature to properly dissolve detergent.	
	5. See "Detergent cover will not open."	

SERVICE DATA SHEET

P/N EIDW5705

Electronic Series

Color Code

BK..... Black
 BU..... Blue
 PK..... Pink
 RD..... Red
 WH/RD..... White/Red
 RD-YE..... Red/Yellow
 VT..... Violet
 OR..... Orange
 GR..... Green
 W..... White

Operation

To start Press **START/CANCEL** pad. **Close and latch door.**
 To delay start Press **DELAY START** pad to select desired delay time. **Close and latch door.**
 To select a new Press desired cycle and/or option pad. **The indicator lights cycle or option will change.** Press **START/CANCEL** within 15 seconds to begin cycle.
 To cancel cycle Press **START/CANCEL**. Dishwasher will drain for 60 seconds, then shut off.
 For controls Press and hold the **AIR DRY** pad for 3 seconds. To unlock, press and hold the **AIR DRY** pad for 3 seconds.

Water/Service Test

The water/service test is a Special function initiated from the power failure mode or idle mode.

While in power failure or idle mode - simultaneously press the AIR DRY and START/CANCEL pads for 1 1/2 seconds. The dishwasher will then step through the test cycle per the chart. Pushing the START/CANCEL pad will advance the dishwasher to the next step.

DESCRIPTION	TOTAL TIME, (SEC)	WATER VALVE	CIRCULATION MOTOR	DRAIN MOTOR	HEATER	DISPENSER	FAN UNIT	SANITIZE LED	CLEAN LED	device being monitored	display flashes when detection of failure
PTL / DISPENSER	43	1	0	0	0	1	0	0	0		
DISPENSER	27	0	0	0	0	1	0	0	0		
WASH/HEAT	45	0	1	0	1	0	0	0	0	turbidity	tu
PAUSE	0.4	0	0	0	1	0	0	0	0		
WASH/HEAT	75	0	1	0	1	0	0	0	0		
WASH/HEAT/DISP	60	0	1	0	1	1	0	0	0	thermistors	th
DRAIN	90	0	0	1	0	0	1	0	0	rinse aid	ra
DRY	90	0	0	1	X	0	1	1	1		
TOTAL	430										

X - denotes selectable option
 SANITIZE and CLEAN LED stay on for 30 seconds after door is opened or cycle started.

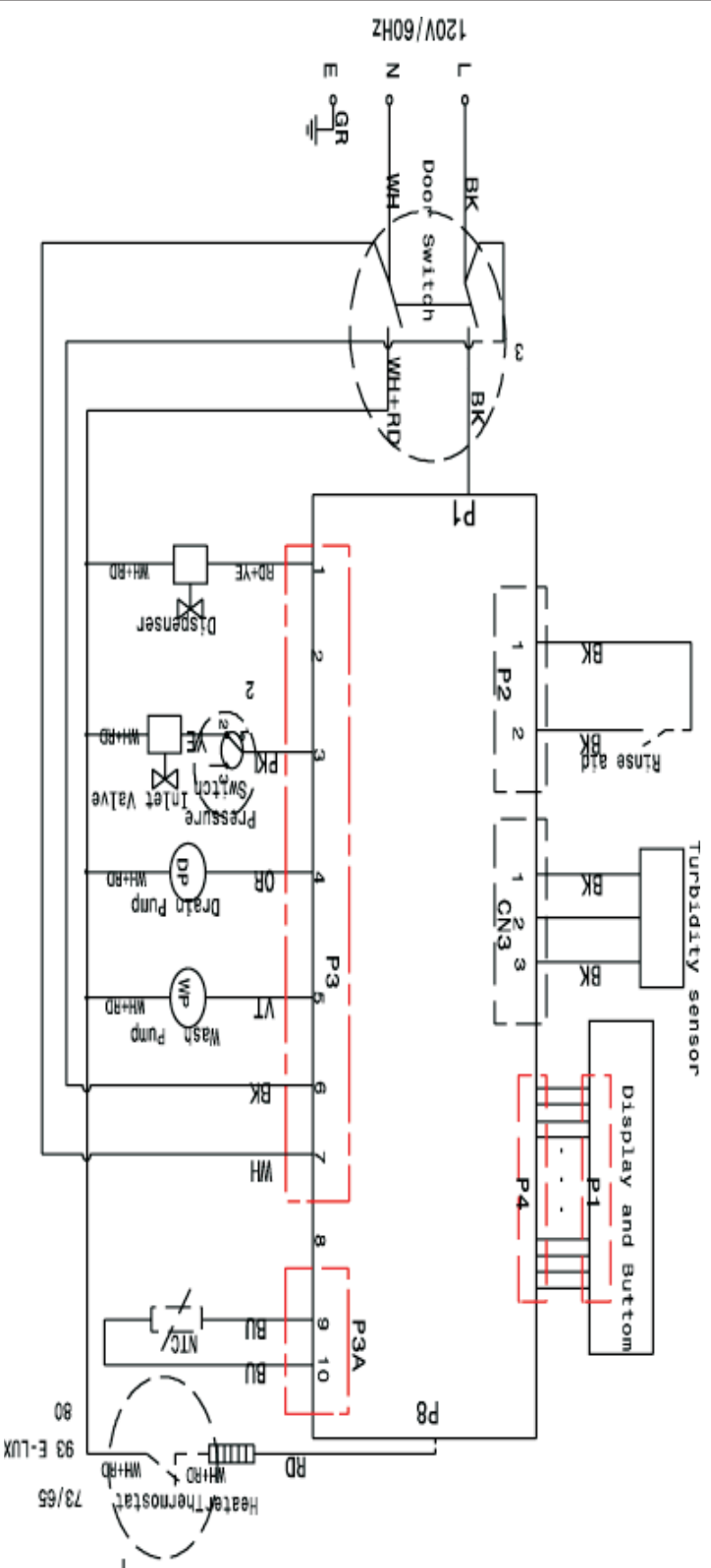
Display Codes (Readout)

LO..... Low liquid in the rinse aid dispenser
 PF..... A power failure has occurred
 Cd..... Close the door
 '01-24'..... Hour(s) delay before start

Display Codes (LED)

CLEAN Shows completion of cycle. Indicator light will go off 30 seconds after door is opened.
 OPTION LED's Flashing - HI-TEMP WASH and AIR DRY/ LED's flashing indicates power failure has occurred. Press START/CANCEL pad and reselect desired options and cycle.
 LOW RINSE The liquid rinse agent is low. Light will switch off after 5 complete wash cycles or dispenser is filled.
 (Some models)
 SANITIZE..... The SANITIZED criteria has been met. Indicator light will go off 30 seconds after door is opened.

Wiring Diagram



Cycle Selection Options

Minutes	5	10	15	20	25	30	35	40	45	50	55	60	65	70	75	80	85	90	95	100	105	110	115	120	125	Minutes	5	10	15	20	25	30	35	40	45	50	55	60	65	70	75	80	85	90	95	100	105	110	115
Normal	Pre-Wash 1	Pre-Wash 2	Pre-Wash 3	Main Wash	Rinse 1	Rinse 2	Final Rinse	Dry	Pre-Wash 1	Main Wash	Rinse 1	Final Rinse	Dry	China Crystal	Pre-Wash 1	Main Wash	Final Rinse	Dry	Pre-Wash 1	Main Wash	Rinse 1	Final Rinse	Dry	Light Wash	Pre-Wash 1	Main Wash	Rinse 1	Final Rinse	Dry	Quick Rinse	Rinse 1	Rinse 2																	
Heavy Wash	Pre-Wash 1	Pre-Wash 2	Pre-Wash 3	Main Wash	Rinse 1	Rinse 2	Final Rinse	Dry	Pre-Wash 1	Main Wash	Rinse 1	Final Rinse	Dry		Pre-Wash 1	Main Wash	Final Rinse	Dry	Pre-Wash 1	Main Wash	Rinse 1	Final Rinse	Dry		Pre-Wash 1	Main Wash	Rinse 1	Final Rinse	Dry		Rinse 1	Rinse 2																	
Wash Motor	Pre-Wash 1	Pre-Wash 2	Pre-Wash 3	Main Wash	Rinse 1	Rinse 2	Final Rinse	Dry	Pre-Wash 1	Main Wash	Rinse 1	Final Rinse	Dry		Pre-Wash 1	Main Wash	Final Rinse	Dry	Pre-Wash 1	Main Wash	Rinse 1	Final Rinse	Dry		Pre-Wash 1	Main Wash	Rinse 1	Final Rinse	Dry		Rinse 1	Rinse 2																	
Drain Motor	Pre-Wash 1	Pre-Wash 2	Pre-Wash 3	Main Wash	Rinse 1	Rinse 2	Final Rinse	Dry	Pre-Wash 1	Main Wash	Rinse 1	Final Rinse	Dry		Pre-Wash 1	Main Wash	Final Rinse	Dry	Pre-Wash 1	Main Wash	Rinse 1	Final Rinse	Dry		Pre-Wash 1	Main Wash	Rinse 1	Final Rinse	Dry		Rinse 1	Rinse 2																	
Heater	Pre-Wash 1	Pre-Wash 2	Pre-Wash 3	Main Wash	Rinse 1	Rinse 2	Final Rinse	Dry	Pre-Wash 1	Main Wash	Rinse 1	Final Rinse	Dry		Pre-Wash 1	Main Wash	Final Rinse	Dry	Pre-Wash 1	Main Wash	Rinse 1	Final Rinse	Dry		Pre-Wash 1	Main Wash	Rinse 1	Final Rinse	Dry		Rinse 1	Rinse 2																	
Dispenser	Pre-Wash 1	Pre-Wash 2	Pre-Wash 3	Main Wash	Rinse 1	Rinse 2	Final Rinse	Dry	Pre-Wash 1	Main Wash	Rinse 1	Final Rinse	Dry		Pre-Wash 1	Main Wash	Final Rinse	Dry	Pre-Wash 1	Main Wash	Rinse 1	Final Rinse	Dry		Pre-Wash 1	Main Wash	Rinse 1	Final Rinse	Dry		Rinse 1	Rinse 2																	
Water Valve	Pre-Wash 1	Pre-Wash 2	Pre-Wash 3	Main Wash	Rinse 1	Rinse 2	Final Rinse	Dry	Pre-Wash 1	Main Wash	Rinse 1	Final Rinse	Dry		Pre-Wash 1	Main Wash	Final Rinse	Dry	Pre-Wash 1	Main Wash	Rinse 1	Final Rinse	Dry		Pre-Wash 1	Main Wash	Rinse 1	Final Rinse	Dry		Rinse 1	Rinse 2																	
Energy Saver	Pre-Wash 1	Pre-Wash 2	Main Wash	Rinse 1	Final Rinse	Dry	Pre-Wash 1	Main Wash	Rinse 1	Final Rinse	Dry		Pre-Wash 1	Main Wash	Final Rinse	Dry	Pre-Wash 1	Main Wash	Rinse 1	Final Rinse	Dry		Pre-Wash 1	Main Wash	Rinse 1	Final Rinse	Dry		Pre-Wash 1	Main Wash	Rinse 1	Final Rinse	Dry		Rinse 1	Rinse 2													