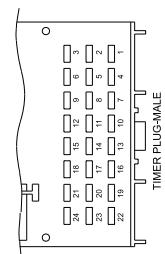
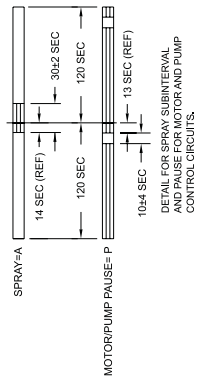
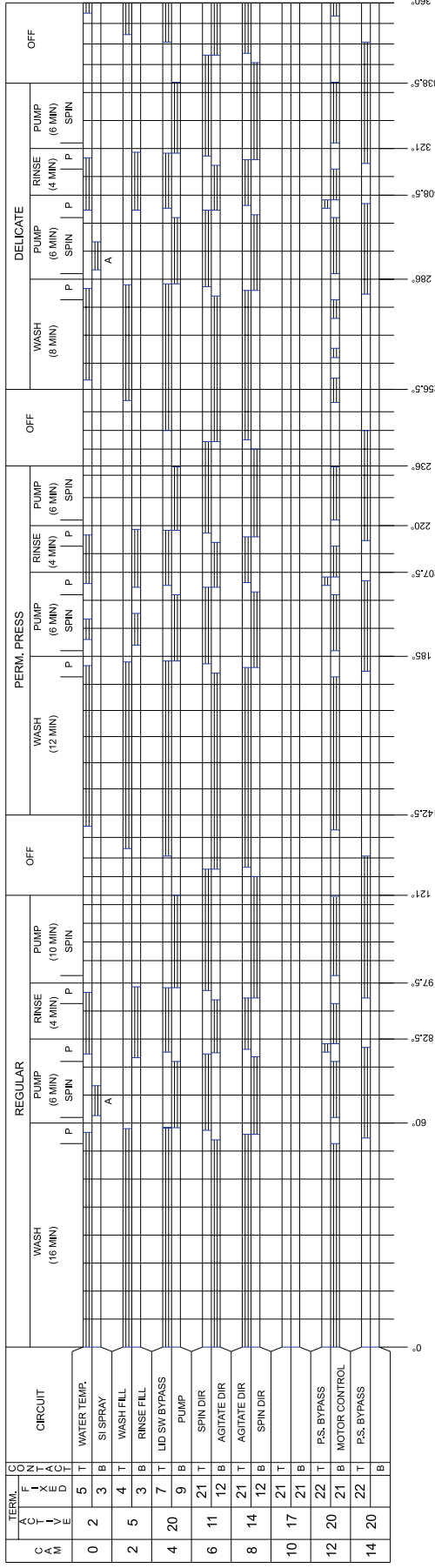


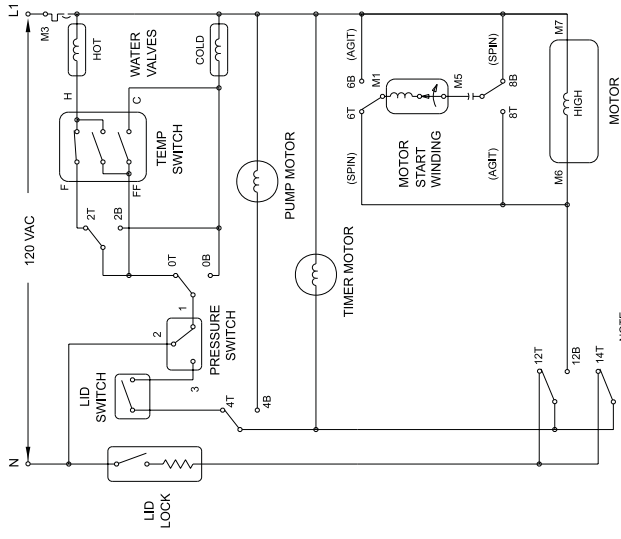
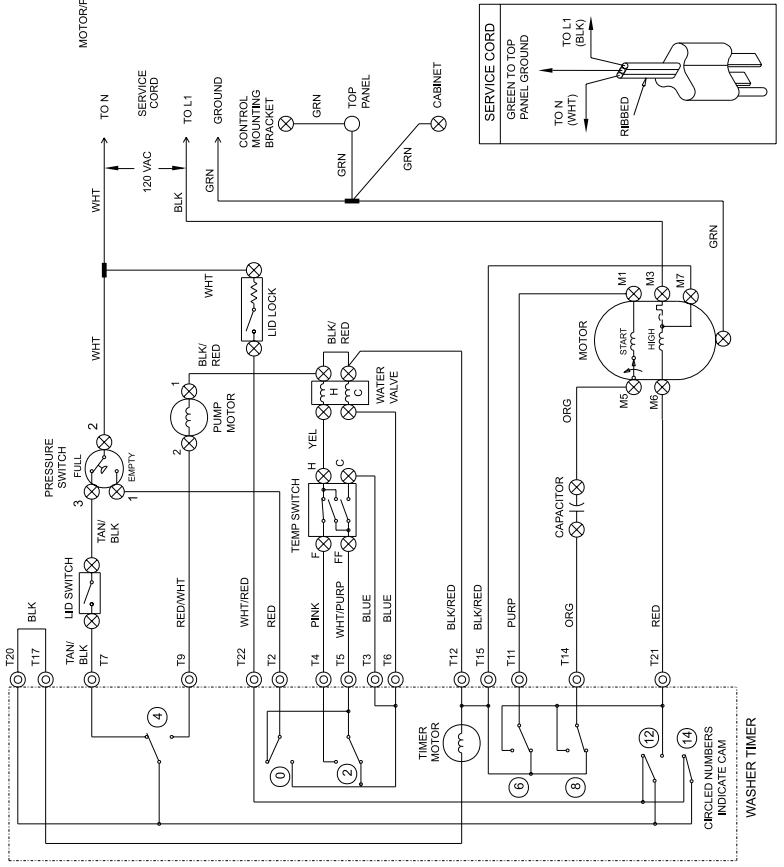
CAUTION: DISCONNECT ELECTRIC CURRENT BEFORE SERVICING



- WIRING CODES**
- ⊙ PLUG IN TIMER TERMINAL
 - ⊗ QUICK DISCONNECT TERMINAL
 - SCREW TERMINAL CONNECTION
 - ⊕ NO CONNECTION
 - ⊖ MOTOR SWITCH
 - ⊞ SPULCE
 - ⊟ MOTOR PROTECTOR
 - ⊠ CHASSIS (CABINET) GROUND

TEMPERATURE SWITCH CIRCUIT			
	F-H	FF-H	FF-C
WASH/RINSE	X	O	O
HOT/COLD	X	O	X
WARM/COLD	X	O	X
COLD/COLD	O	O	X
WARM/WARM (OPT)	O	X	X

⊙-OPEN ⊗-CLOSED
(OPT)-OPTIONAL ON SOME MODELS



WIRING DIAGRAM
134124800