



---

## **WHISPURE™ AIR PURIFIER**

### **Use & Care Guide**

For questions about features, operation/performance, parts accessories or service call: **1-800-253-1301**

In Canada, call for assistance **1-800-461-5681**, for installation and service, call: **1-800-807-6777**

or visit our website at... [www.whirlpool.com](http://www.whirlpool.com)  
or... [www.whirlpool.com/canada](http://www.whirlpool.com/canada)

---

## **PURIFICADOR DE AIRE WHISPURE™**

### **Manual de uso y cuidado**

Si tiene preguntas respecto a las características, funcionamiento, rendimiento, partes, accesorios o servicio técnico, llame al: **1-800-253-1301**

o visite nuestro sitio web en... [www.whirlpool.com](http://www.whirlpool.com)

---

## **PURIFICATEUR D'AIR WHISPURE™**

### **Guide d'utilisation et d'entretien**

Au Canada, pour assistance composez le **1-800-461-5681**, pour installation ou service, le : **1-800-807-6777**

ou visitez notre site web à... [www.whirlpool.com/canada](http://www.whirlpool.com/canada)

---

Table of Contents/Índice/Table des matières ..... 2

---

---

# TABLE OF CONTENTS

|   |          |
|---|----------|
| <b>AIR PURIFIER SAFETY</b> .....          | <b>3</b> |
| Electrical Requirements .....             | 3        |
| Location Requirements .....               | 4        |
| <b>AIR PURIFIER USE</b> .....             | <b>4</b> |
| Starting/Stopping Your Air Purifier ..... | 4        |
| <b>AIR PURIFIER CARE</b> .....            | <b>5</b> |
| Cleaning.....                             | 5        |
| Filter Replacement .....                  | 5        |
| <b>TROUBLESHOOTING</b> .....              | <b>5</b> |
| <b>ASSISTANCE OR SERVICE</b> .....        | <b>6</b> |
| In the U.S.A. ....                        | 6        |
| In Canada .....                           | 6        |
| Replacement Filters .....                 | 6        |
| <b>WARRANTY</b> .....                     | <b>7</b> |

---

## ÍNDICE

|   |           |
|---|-----------|
| <b>SEGURIDAD DEL PURIFICADOR DE AIRE</b> .....            | <b>9</b>  |
| Requisitos eléctricos .....                               | 9         |
| Requisitos de ubicación.....                              | 10        |
| <b>CÓMO FUNCIONA EL PURIFICADOR DE AIRE</b> .....         | <b>10</b> |
| Cómo poner en marcha/detener su purificador de aire ..... | 10        |
| <b>CUIDADO DEL PURIFICADOR DE AIRE</b> .....              | <b>11</b> |
| Limpieza .....  | 11        |
| Reemplazo del filtro .....                                | 11        |
| <b>SOLUCIÓN DE PROBLEMAS</b> .....                        | <b>12</b> |
| <b>AYUDA O SERVICIO TÉCNICO</b> .....                     | <b>12</b> |
| En los EE.UU. ....  | 12        |
| Filtros de repuesto .....                                 | 12        |
| <b>GARANTÍA</b> .....                                     | <b>13</b> |

---

## TABLE DES MATIÈRES

|  |           |
|--|-----------|
| <b>SÉCURITÉ DU PURIFICATEUR D'AIR</b> .....            | <b>15</b> |
| Spécifications électriques .....                       | 15        |
| Exigences d'emplacement.....                           | 16        |
| <b>UTILISATION DU PURIFICATEUR D'AIR</b> .....         | <b>16</b> |
| Mise en marche/arrêt de votre purificateur d'air ..... | 16        |
| <b>ENTRETIEN DU PURIFICATEUR D'AIR</b> .....           | <b>17</b> |
| Nettoyage .....  | 17        |
| Remplacement du filtre.....                            | 17        |
| <b>DÉPANNAGE</b> .....                                 | <b>17</b> |
| <b>ASSISTANCE OU SERVICE</b> .....                     | <b>18</b> |
| Aux États-Unis .....                                   | 18        |
| Au Canada.....   | 18        |
| Filtres de rechange.....                               | 18        |
| <b>GARANTIE</b> .....                                  | <b>19</b> |



TOD LO QUE IMAGINAS®

# AIR PURIFIER SAFETY

## Your safety and the safety of others are very important.

We have provided many important safety messages in this manual and on your appliance. Always read and obey all safety messages.



This is the safety alert symbol.

This symbol alerts you to potential hazards that can kill or hurt you and others.

All safety messages will follow the safety alert symbol and either the word "DANGER" or "WARNING." These words mean:

**⚠ DANGER**

You can be killed or seriously injured if you don't immediately follow instructions.

**⚠ WARNING**

You can be killed or seriously injured if you don't follow instructions.

All safety messages will tell you what the potential hazard is, tell you how to reduce the chance of injury, and tell you what can happen if the instructions are not followed.

## IMPORTANT SAFETY INSTRUCTIONS

**WARNING:** To Reduce The Risk Of Fire or Electrical Shock, Do Not Use The Air Purifier With Any Solid-State Speed Control Device.

**WARNING:** To Reduce The Risk Of Fire Or Electrical Shock And Injury To Persons, Do Not Use In A Window. Unplug air purifier before servicing.

## READ AND SAVE THESE INSTRUCTIONS

### Electrical Requirements

**⚠ WARNING**



#### Electrical Shock Hazard

Plug into a grounded 3 prong outlet.

Do not remove ground prong.

Do not use an adapter.

Do not use an extension cord.

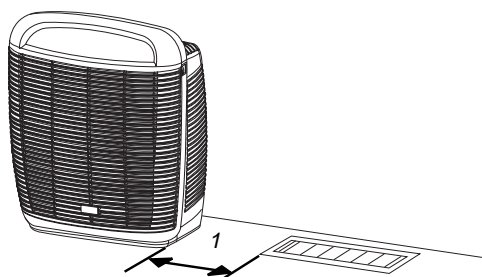
Failure to follow these instructions can result in death, fire, or electrical shock.

#### Electrical Connection

To properly install your air purifier, you must determine the type of electrical connection you will be using and follow the instructions provided for it here.

- The air purifier should be connected to a 115 V, 60 Hz, 15- or 20-ampere fused 3 prong grounded outlet.
- The use of a time-delay fuse or time-delay circuit breaker is recommended.

## Location Requirements



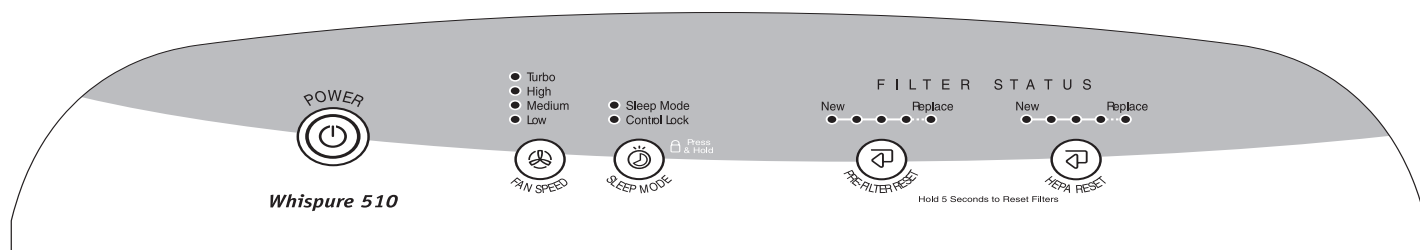
1. 6 in. (15.2 cm) min. clearance

- You will need a level surface at least 6 in. (15.2 cm) from heat sources such as ranges or heaters.
- Do not block air openings or place the air purifier on a soft surface such as a bed or sofa.
- Operate indoors only.

## AIR PURIFIER USE

### Starting/Stopping Your Air Purifier

**NOTE:** Before operating the air purifier, record the date of installation on the HEPA filter, which should be replaced annually. The pre-filter should be replaced every 3 months. To remove and replace either filter, see “Filter Replacement” in the “Air Purifier Care” section.



### Using the controls

## ⚠ WARNING



### Electrical Shock Hazard

Plug into a grounded 3 prong outlet.

Do not remove ground prong.

Do not use an adapter.

Do not use an extension cord.

Failure to follow these instructions can result in death, fire, or electrical shock.

1. Plug into a grounded 3 prong outlet.
2. Press POWER to start the air purifier. An indicator light will turn on.
3. Press POWER to stop the air purifier. The indicator light will turn off.

### Fan Speed

Press FAN SPEED until the indicator light comes on for the desired speed.

| FAN SPEED | RESULT                  |
|-----------|-------------------------|
| Low       | Best product sound      |
| Medium    | Slower cleaning power   |
| High      | Moderate cleaning power |
| Turbo     | Maximum cleaning power  |

### Sleep Mode

Press SLEEP MODE to set. Sleep mode runs on Low fan speed for 8 hours and then returns to previously selected setting. To exit before 8 hours, press SLEEP MODE, FAN SPEED, or POWER.

### Control Lock

The Control Lock locks the controls to prevent unintended changing of the settings when the air purifier is on or off.

1. Press and hold SLEEP MODE for 5 seconds to lock. The Control Lock indicator light will turn on. (No selection can be made.)
2. Press SLEEP MODE for 5 seconds to unlock. The Control Lock indicator light will turn off. (Now selections can be made and the unit can be turned on or off.)

### Filter Status Lights

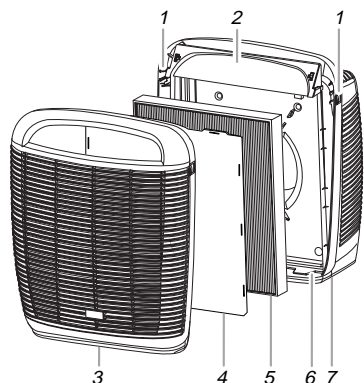
The pre-filter and HEPA filter status lights will help you know when to change your filters. The green status lights will move from New to Replace at preset intervals. When the red Replace status light is flashing, replace the filter as indicated. See “Filter Replacement” in the “Air Purifier Care” section.

---

# AIR PURIFIER CARE

---

## Cleaning



- |                 |                |                       |
|-----------------|----------------|-----------------------|
| 1. Release tabs | 4. Pre-filter  | 6. Bottom slot        |
| 2. Controls     | 5. HEPA filter | 7. Mainframe assembly |
| 3. Front grille |                |                       |

1. Press POWER to turn the air purifier off.
2. Unplug air purifier or disconnect power.
3. Place fingers on the front release tabs. Gently push the tabs in and pull the front grille forward to remove it.
4. Remove both filters and set aside. Do not try to wash and reuse either the HEPA filter or the pre-filter.
5. Clean the air purifier with a soft, damp cloth.
6. Gently wash the front grille in soapy water.  
**NOTE:** The grille is not dishwasher safe.
7. Reassemble the filters as shown in previous illustration.
8. Place the bottom tabs on the front grille into the bottom slots in base of the air purifier. Push the top of the grille forward until the grille locks into place.
9. Plug in air purifier or reconnect power.
10. Press POWER to start the air purifier.

---

## Filter Replacement

**NOTE:** The filter indicator lights on top of the air purifier will glow when it is time to replace either the pre-filter or the HEPA filter. For the most efficient operation of the air purifier, it is recommended that you replace the pre-filter every three months and the HEPA filter every year. See “Replacement Filters” in the “Assistance or Service” section.

1. Press POWER to turn the air purifier off.
2. Unplug air purifier or disconnect power.
3. Place fingers on the front release tabs. Gently push the tabs in and pull the front grille forward to remove it.
4. Remove and replace the indicated filter. Install the new HEPA filter in the same direction shown by the arrow located on the filter frame. Install the new pre-filter by placing it on the tabs.  
**NOTE:** Do not try to wash and reuse either the HEPA filter or the pre-filter.
5. Place the bottom tabs on the front grille into slots in the base of the air purifier. Push the top of the grille forward until the grille locks into place.
6. Plug in air purifier or reconnect power.
7. Press POWER to start the air purifier.
8. Press either the PRE-FILTER RESET and/or the HEPA RESET button for 5 seconds to turn off the filter indicator light(s) and reset timer.

---

# TROUBLESHOOTING

**First try the solutions suggested here and possibly avoid the cost of a service call...**

---

### Air purifier will not run

---

- **Check the following:**
  - Is the air purifier turned on?
  - Is the power cord plugged into a grounded 3 prong outlet?
  - Has a fuse blown or has the circuit breaker tripped?
  - Was a regular fuse used? Use a time-delay fuse or time-delay circuit breaker.

---

# ASSISTANCE OR SERVICE

Before calling for assistance or service, please check "Troubleshooting." It may save you the cost of a service call. If you still need help, follow the instructions below.

When calling, please know the purchase date and the complete model and serial number of your appliance. This information will help us to better respond to your request.

---

## In the U.S.A.

Call the Whirlpool Customer Interaction Center toll free: **1-800-253-1301**.

### Our consultants provide assistance with:

- Features and specifications on our full line of appliances.
- Installation information.
- Use and maintenance procedures.
- Accessory and repair parts sales.
- Specialized customer assistance (Spanish speaking, hearing impaired, limited vision, etc.).
- Referrals to local dealers, repair parts distributors, and service companies. Whirlpool designated service technicians are trained to fulfill the product warranty and provide after-warranty service, anywhere in the United States.

To locate the Whirlpool designated service company in your area, you can also look in your telephone directory Yellow Pages.

### For further assistance

If you need further assistance, you can write to Whirlpool Corporation with any questions or concerns at:

Whirlpool Corporation  
Customer Interaction Center  
553 Benson Road  
Benton Harbor, MI 49022-2692

Please include a daytime phone number in your correspondence.

---

## In Canada

Call the Whirlpool Canada Inc. Customer Interaction Center toll free: **1-800-461-5681** Monday to Friday 8:00 a.m. - 6:00 p.m. (EST). Saturday 8:30 a.m. - 4:30 p.m. (EST).

### Our consultants provide assistance with:

- Features and specifications on our full line of appliances.
- Referrals to local dealers.

### For service in Canada

Call **1-800-807-6777**. Whirlpool Canada Inc. designated service technicians are trained to fulfill the product warranty and provide after-warranty service, anywhere in Canada.

### For further assistance

If you need further assistance, you can write to Whirlpool Canada Inc. with any questions or concerns at:

Customer Interaction Center  
Whirlpool Canada Inc.  
1901 Minnesota Court  
Mississauga, Ontario L5N 3A7

Please include a daytime phone number in your correspondence.

---

## Replacement Filters

Replacement filters may be ordered by calling our Customer Interaction Center at **1-800-253-1301**.

In Canada, please call **1-800-807-6777**.

You may also visit our website **www.whirlpool.com** or **www.whirlpool.com/canada**.

**NOTE:** This information is also located on the HEPA filter for your convenience.

---

| Air Purifier Model No. | HEPA Filter Replacement Part No. | Pre-filter Replacement Part No. |
|------------------------|----------------------------------|---------------------------------|
| AP51030L               | 1183054 or 1187022               | 1183063                         |

---

---

# WHIRLPOOL GOLD® WHISPURE™ AIR PURIFIER WARRANTY

---

## ONE YEAR FULL WARRANTY

For one year from the date of purchase, if this air purifier fails when operated and maintained according to instructions attached to or furnished with the product, Whirlpool Corporation will arrange to deliver an identical or comparable replacement to your door free of charge and have your “failed” air purifier returned to us. Your replacement unit is covered by our one-year full warranty. This warranty DOES NOT cover the replacement HEPA (High Efficiency Particulate Air) filter or pre-filter.

**If you reside in Canada and your Whirlpool Gold® Whispure™ air purifier should fail within the first year of ownership, call 1-800-461-5681 for details on obtaining a replacement unit.**

**If you reside in the United States and your Whirlpool Gold® Whispure™ air purifier should fail within the first year of ownership:**

1. Call our Customer Interaction Center at **1-800-253-1301** (toll-free), 8 a.m. to 8 p.m., Monday through Friday or 9 a.m. to 3 p.m., Saturday (EST).
  2. Give the consultant your complete shipping address (no P.O. Box numbers).
  3. Give the consultant your complete model and serial numbers.
  4. Whirlpool Corporation will arrange to deliver a replacement air purifier and have your “failed” air purifier returned to us.
  5. When you receive your replacement air purifier, use the carton and packing materials to repack your “failed” air purifier. Inside the carton, include your name and address on a sheet of paper along with a copy of the proof of purchase (register receipt, credit card, charge slip, etc.).
  6. The consultant will also identify the designated service center nearest your location.
- 

## QUIET 30-DAY MONEY-BACK GUARANTEE

For 30 days from the date of purchase, if you are not completely satisfied that your new Whirlpool Gold® Whispure™ air purifier is quieter than your previous high-efficiency air purifier, Whirlpool Corporation will take it back and refund the full purchase price to you. (Finance charges are not included.) Contact the Whirlpool Customer Interaction Center toll-free at **1-800-253-1301** for money-back guarantee procedures. In Canada, call **1-800-461-5681**.

---

### Whirlpool Corporation will not pay for:

1. Service calls to instruct you how to use your air purifier, to replace house fuses or correct house wiring or reset circuit breakers, or to replace owner accessible air filters.
  2. Replacement when your air purifier is used in other than normal, single-family household use.
  3. Damage resulting from accident, alteration, misuse, abuse, fire, floods, acts of God, improper installation (including, but not limited to, venting with plastic or flexible foil), installation not in accordance with local electrical and plumbing codes, or use of products not approved by Whirlpool Corporation or Whirlpool Canada Inc.
  4. Replacement parts, repair labor costs and/or replacement of a “failed” air purifier for units operated outside the United States and Canada.
  5. Repairs to parts or systems resulting from unauthorized modifications made to the appliance.
- 

## WHIRLPOOL CORPORATION AND WHIRLPOOL CANADA INC. SHALL NOT BE LIABLE FOR INCIDENTAL OR CONSEQUENTIAL DAMAGES.

Some states or provinces do not allow the exclusion or limitation of incidental or consequential damages, so this exclusion or limitation may not apply to you. This warranty gives you specific legal rights and you may also have other rights which vary from state to state or province to province.

**Outside the 50 United States and Canada, this warranty does not apply. Contact your authorized Whirlpool dealer to determine if another warranty applies.**

If you need service, first see “Troubleshooting.” Additional help can be found by checking “Assistance or Service,” or by calling our Customer Interaction Center at **1-800-253-1301**, from anywhere in the U.S.A. or write: Whirlpool Corporation, Customer Interaction Center, 553 Benson Road, Benton Harbor, MI 49022-2692. In Canada, call **1-800-807-6777**.

1/03

---

**Keep this book and your sales slip together for future reference. You must provide proof of purchase or installation date for in-warranty service.**

Write down the following information about your air purifier to better help you obtain assistance or service if you ever need it. You will need to know your complete model number and serial number.

Dealer name \_\_\_\_\_

Address \_\_\_\_\_

Phone number \_\_\_\_\_

Model number \_\_\_\_\_

Serial number \_\_\_\_\_

Purchase date \_\_\_\_\_

---

## Notes



# SEGURIDAD DEL PURIFICADOR DE AIRE

## Su seguridad y la seguridad de los demás es muy importante.

Hemos incluido muchos mensajes importantes de seguridad en este manual y en su electrodoméstico. Lea y obedezca siempre todos los mensajes de seguridad.



Este es el símbolo de advertencia de seguridad.

Este símbolo le llama la atención sobre peligros potenciales que pueden ocasionar la muerte o una lesión a usted y a los demás.

Todos los mensajes de seguridad irán a continuación del símbolo de advertencia de seguridad y de la palabra "PELIGRO" o "ADVERTENCIA". Estas palabras significan:

**! PELIGRO**

Si no sigue las instrucciones de inmediato, usted puede morir o sufrir una lesión grave.

**! ADVERTENCIA**

Si no sigue las instrucciones, usted puede morir o sufrir una lesión grave.

Todos los mensajes de seguridad le dirán el peligro potencial, le dirán cómo reducir las posibilidades de sufrir una lesión y lo que puede suceder si no se siguen las instrucciones.

## INSTRUCCIONES IMPORTANTES DE SEGURIDAD

**ADVERTENCIA:** A fin de reducir el riesgo de incendio o de choque eléctrico, no use este purificador de aire con ningún dispositivo semiconductor para el control de la velocidad.

**ADVERTENCIA:** A fin de reducir el riesgo de incendio, de choque eléctrico o de daños personales, no use en una ventana.

Desenchufe el purificador de aire antes de darle servicio.

## LEA Y GUARDE ESTAS INSTRUCCIONES

### Requisitos eléctricos

**! ADVERTENCIA**



#### Peligro de Choque Eléctrico

Conecte a un contacto de pared de conexión a tierra de 3 terminales.

No quite el terminal de conexión a tierra.

No use un adaptador.

No use un cable eléctrico de extensión.

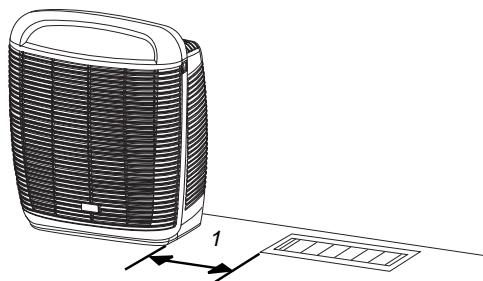
No seguir estas instrucciones puede ocasionar la muerte, incendio o choque eléctrico.

#### Conexión eléctrica

Para instalar el purificador de aire debidamente, debe determinar el tipo de conexión eléctrica que usará y seguir las instrucciones que se proveen aquí.

- El purificador de aire debe estar conectado a un tomacorriente de 3 terminales conectado a tierra con un fusible de 115 V, 60 Hz, de 15 ó 20 amperios.
- Se recomienda usar un fusible o un cortacircuitos retardador.

## Requisitos de ubicación



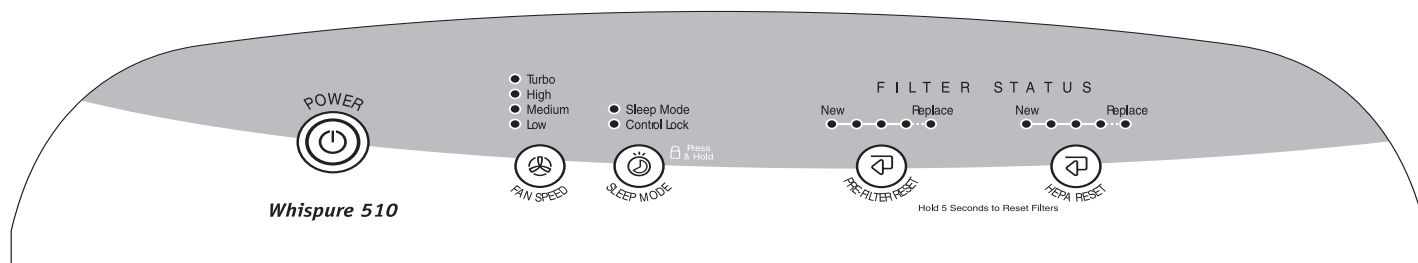
1. Espacio mín. de 6 pulg. (15,2 cm)

- Necesitará una superficie nivelada de por lo menos 6 pulg. (15,2 cm) de distancia de fuentes térmicas como estufas o unidades de calefacción.
- No bloquee los orificios de aire ni coloque el purificador de aire sobre una superficie suave como una cama o un sofá.
- Haga funcionar este producto solamente adentro.

# CÓMO FUNCIONA EL PURIFICADOR DE AIRE

## Cómo poner en marcha/detener su purificador de aire

**NOTA:** Antes de poner a funcionar el purificador de aire, anote la fecha de instalación en el filtro HEPA, que deberá cambiar anualmente. El prefiltro deberá cambiarse cada 3 meses. Para quitar y volver a colocar cualquiera de los filtros, vea "Reemplazo del filtro" en la sección "Cuidado del purificador de aire".



### Uso de los controles

## ⚠ ADVERTENCIA



### Peligro de Choque Eléctrico

Conecte a un contacto de pared de conexión a tierra de 3 terminales.

No quite el terminal de conexión a tierra.

No use un adaptador.

No use un cable eléctrico de extensión.

No seguir estas instrucciones puede ocasionar la muerte, incendio o choque eléctrico.

1. Conecte a un contacto de pared de conexión a tierra de 3 terminales.
2. Presione POWER (Energía) para poner el purificador de aire en marcha, y la luz indicadora se enciende.
3. Presione POWER para detener el purificador de aire y la luz indicadora se apaga.

### Fan Speed (Velocidad del ventilador)

Presione FAN SPEED hasta que se encienda la luz indicadora de la velocidad deseada.

| VELOCIDAD DEL VENTILADOR | RESULTADO                   |
|--------------------------|-----------------------------|
| Low (Baja)               | Mejor sonido del producto   |
| Medium (Mediana)         | Poder de limpieza más lento |
| High (Alta)              | Poder de limpieza moderado  |
| Turbo                    | Poder de limpieza máxima    |

### SLEEP MODE (Modo de sueño)

Presione SLEEP MODE para fijar. El modo de sueño funciona en la velocidad del ventilador baja durante 8 horas y luego vuelve al ajuste previamente seleccionado. Para quitar el modo de sueño antes de que transcurran las 8 horas, presione SLEEP MODE, FAN SPEED o POWER.

## Control Lock (Bloqueo del control)

El bloqueo del control bloquea los controles para evitar que los ajustes se cambien accidentalmente cuando el purificador de aire está encendido o apagado.

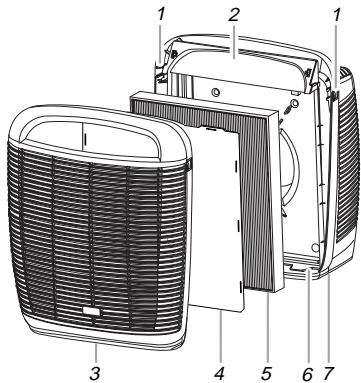
1. Presione y sostenga SLEEP MODE por 5 segundos para bloquear, y la luz indicadora del bloqueo del control se enciende. (No se puede hacer ninguna selección.)
2. Presione SLEEP MODE por 5 segundos para desbloquear, y la luz indicadora del bloqueo del control se apaga. (Ahora se pueden hacer selecciones y se puede encender o apagar la unidad.)

## Luces de estado del filtro

Las luces de estado del prefiltro y del filtro HEPA le ayudarán a saber cuándo cambiar los filtros. Las luces verdes de estado se cambiarán de New (Nuevo) a Replace (Cambiar) en los intervalos preestablecidos. Cuando la luz roja de estado Replace destella, cambie el filtro como se indica. Vea "Reemplazo del filtro" en la sección "Cuidado del purificador de aire".

# CUIDADO DEL PURIFICADOR DE AIRE

## Limpeza



- |                            |                |                                    |
|----------------------------|----------------|------------------------------------|
| 1. Lengüetas de liberación | 4. Prefiltro   | 6. Ranura inferior                 |
| 2. Controles               | 5. Filtro HEPA | 7. Ensamblaje central de la unidad |
| 3. Rejilla delantera       |                |                                    |

1. Presione POWER para apagar el purificador de aire.
2. Desenchufe el purificador de aire o desconecte el suministro de energía.
3. Coloque los dedos en las lengüetas de liberación delanteras. Empuje suavemente las lengüetas hacia adentro y jale la rejilla delantera hacia adelante para quitarla.
4. Quite ambos filtros y déjelos a un lado. No intente lavar y volver a usar ni el filtro HEPA ni el prefiltro.
5. Limpie el purificador de aire con un paño suave y húmedo.
6. Lave cuidadosamente la rejilla frontal en agua jabonosa.  
**NOTA:** La rejilla no es resistente a la lavavajillas.
7. Vuelva a ensamblar los filtros como se muestra en la ilustración previa.
8. Coloque las lengüetas inferiores de la rejilla frontal en las ranuras que se encuentran en la base del purificador de aire. Empuje la parte superior de la rejilla hacia delante hasta que ésta encaje en su lugar.

9. Enchufe el purificador de aire o reconecte el suministro de energía.
10. Presione POWER para encender el purificador de aire.

## Reemplazo del filtro

**NOTA:** Las luces indicadoras de los filtros encima del purificador de aire se iluminarán cuando llegue el momento de cambiar el prefiltro o el filtro HEPA. Para un funcionamiento más eficaz del purificador de aire, se recomienda que usted cambie el prefiltro cada 3 meses y el filtro HEPA una vez por año. Consulte "Filtros de repuesto" en la sección "Ayuda o servicio técnico".

1. Presione POWER para apagar el purificador de aire.
2. Desenchufe el purificador de aire o desconecte el suministro de energía.
3. Coloque los dedos en las lengüetas de liberación delanteras. Empuje suavemente las lengüetas hacia adentro y jale la rejilla delantera hacia adelante para quitarla.
4. Quite y reemplace el filtro indicado. Instale el nuevo filtro HEPA en la misma dirección que se muestra por la flecha ubicada en el marco del filtro. Instale el nuevo prefiltro colocándolo sobre las lengüetas.  
**NOTA:** No intente lavar y volver a usar ni el filtro HEPA ni el prefiltro.
5. Coloque las lengüetas inferiores de la rejilla delantera dentro de las ranuras en la base del purificador de aire. Empuje la parte superior de la rejilla hacia adelante hasta que ésta encaje en su lugar.
6. Enchufe el purificador de aire o reconecte el suministro de energía.
7. Presione POWER para encender el purificador de aire.
8. Presione el botón PRE-FILTER RESET (Reajuste del prefiltro) y/o HEPA RESET (Reajuste del filtro HEPA) por 5 segundos para apagar la(s) luz (luces) indicadora(s) del filtro y volver a fijar el temporizador.

---

# SOLUCIÓN DE PROBLEMAS

Primero, pruebe las soluciones aquí sugeridas y quizás se ahorre el costo de una visita de servicio técnico...

---

## El purificador de aire no funciona

---

■ **Revise lo siguiente:**

¿Está encendido el purificador de aire?

¿Está el cable eléctrico enchufado en un tomacorriente de tres terminales conectado a tierra?

¿Se ha quemado un fusible o se ha disparado el interruptor de corriente de su casa?

¿Se usó un fusible común? Use un fusible o un cortacircuitos retardador.

---

## AYUDA O SERVICIO TÉCNICO

Antes de solicitar ayuda o servicio técnico, por favor consulte la sección "Solución de problemas". Esto le podría ahorrar el costo de una visita de servicio técnico. Si considera que aún necesita ayuda, siga las instrucciones que aparecen a continuación.

Cuando llame, tenga a mano la fecha de compra y el número completo del modelo y de la serie de su electrodoméstico. Esta información nos ayudará a atender mejor a su pedido.

---

### En los EE.UU.

Llame al Centro de Interacción del Cliente de Whirlpool sin costo alguno a: **1-800-253-1301**.

**Nuestros consultores ofrecen ayuda con respecto a:**

- Características y especificaciones de nuestra línea completa de electrodomésticos.
- Información sobre instalación.
- Procedimiento para el uso y mantenimiento.
- Venta de accesorios y de partes para reparación.
- Ayuda especializada para el cliente (habla hispana, problemas de audición, visión limitada, etc.).
- Recomendaciones con distribuidores locales, compañías que dan servicio y distribuidores de partes para reparación. Los técnicos designados por Whirlpool están capacitados para cumplir con la garantía del producto y ofrecer servicio una vez que la garantía termine, en cualquier lugar de los Estados Unidos.

Para localizar a una compañía de servicio designada por Whirlpool en su área, también puede consultar la sección amarilla de su guía telefónica.

### Para obtener ayuda adicional

Si necesita ayuda adicional, puede escribir a Whirlpool Corporation con sus preguntas o dudas a:

Whirlpool Corporation  
Customer Interaction Center  
553 Benson Road  
Benton Harbor, MI 49022-2692

Favor de incluir un número telefónico de día en su correspondencia.

---

### Filtros de repuesto

Para pedir filtros de repuesto, llame a nuestro Centro de interacción con el cliente al **1-800-253-1301**.

También puede visitar nuestro sitio Web: **www.whirlpool.com**.

**NOTA:** Para su conveniencia, esta información también está ubicada en el filtro HEPA.

---

| Purificador de aire<br>Modelo No. | Filtro HEPA<br>Pieza de repuesto No. | Prefiltro<br>Pieza de repuesto No. |
|-----------------------------------|--------------------------------------|------------------------------------|
| AP51030L                          | 1183054 ó 1187022                    | 1183063                            |

---

---

# GARANTÍA DEL PURIFICADOR DE AIRE WHISPURE™ DE WHIRLPOOL GOLD®

---

## GARANTÍA COMPLETA DE UN AÑO

Por un año a partir de la fecha de compra, si este purificador de aire falla mientras haya sido operado y mantenido según las instrucciones adjuntas o provistas con el producto, Whirlpool Corporation dispondrá el envío de un producto de reemplazo idéntico o comparable a su domicilio sin costo alguno y gestionará la devolución del purificador de aire “defectuoso”. La unidad de reemplazo está cubierta por nuestra garantía completa de un año. Esta garantía NO SE APLICA al filtro HEPA (Aire particulado altamente eficaz) ni al prefiltro de repuesto.

**Si usted reside en los Estados Unidos y su purificador de aire Whispure™ de Whirlpool Gold® falla durante el primer año de adquisición:**

1. Llame a nuestro número telefónico gratuito del Centro de interacción con el cliente al **1-800-253-1301**, de lunes a viernes de 8 a.m. a 8 p.m., y los sábados de 9 a.m. a 3 p.m. (Hora del Este).
2. Dé al especialista su dirección completa de envío (no números de apartados postales).
3. Dé al especialista el número completo del modelo y de la serie.
4. Whirlpool Corporation dispondrá la entrega de un purificador de aire de reemplazo y gestionará la devolución del purificador de aire “defectuoso”.
5. Cuando usted reciba el purificador de aire de reemplazo, use la caja y los materiales de embalaje para volver a empacar el purificador de aire “defectuoso”. Dentro de la caja, incluya su nombre y dirección en una hoja de papel junto a una copia del comprobante de compra (recibo de caja, tarjeta de crédito, recibo de pago, etc.).
6. El especialista también identificará el centro de servicio técnico designado más cercano a su domicilio.

---

## GARANTÍA DE SILENCIO DE 30 DÍAS O EL REEMBOLSO DE SU DINERO

Por 30 días a partir de la fecha de compra, su nuevo purificador de aire Whispure™ de Whirlpool Gold® no le resulta más silencioso que su antiguo purificador de aire de alto rendimiento, Whirlpool Corporation lo recibirá de vuelta y le reembolsará a usted el precio total de la compra (no se incluyen los gastos de financiamiento). Llame al número telefónico gratuito del Centro de interacción con el cliente al **1-800-253-1301** para los trámites de garantía de reembolso de dinero.

---

**Whirlpool Corporation no se hará cargo de:**

1. Visitas de servicio técnico para enseñarle a usar el purificador de aire, cambiar los fusibles de la casa, corregir el cableado de la casa, volver a fijar los cortacircuitos o cambiar los filtros de aire que estén al alcance del propietario.
2. Reemplazo cuando se haya dado al purificador de aire un uso diferente al doméstico normal de una sola familia.
3. Daños causados por accidente, alteración, uso indebido, mal uso, incendio, inundación, actos fortuitos, instalación incorrecta (incluyendo, pero sin limitarse a ductos de escape con plástico o aluminio flexible), instalación que no esté de acuerdo con los códigos locales de electricidad y plomería o el empleo de productos no aprobados por Whirlpool Corporation.
4. Las piezas de repuesto, costo del trabajo de reparación y/o el reemplazo del purificador de aire "defectuoso" para unidades utilizadas fuera de los EE.UU.
5. Reparaciones de piezas o sistemas como resultado de modificaciones no autorizadas que se hayan efectuado en el electrodoméstico.

---

## WHIRLPOOL CORPORATION NO SE HARÁN RESPONSABLES POR DAÑOS INCIDENTALES O CONSECUENTES.

Algunos estados o provincias no permiten la exclusión o limitación de daños incidentales o consecuentes, de modo que esta exclusión o limitación quizás no le corresponda. Esta garantía le otorga derechos legales específicos y es posible que usted tenga también otros derechos que pueden variar de un estado a otro.

**Esta garantía no tiene vigor fuera de los cincuenta Estados Unidos. Póngase en contacto con el distribuidor autorizado de Whirlpool de su zona para determinar si corresponde otra garantía.**

Si necesita servicio técnico, vea primero la sección “Solución de problemas”. Puede encontrar ayuda adicional en la sección “Ayuda o servicio técnico”, o al llamar a nuestro Centro de interacción del cliente al **1-800-253-1301** desde cualquier lugar de los EE.UU. o escriba a: Whirlpool Corporation, Customer Interaction Center, 553 Benson Road, Benton Harbor, MI 49022-2692.

1/03

---

**Guarde este libro y su comprobante de ventas juntos para consulta futura. Para obtener el servicio de la garantía deberá proporcionar un comprobante de compra o la fecha de instalación del electrodoméstico.**

Anote la siguiente información acerca de su purificador de aire para facilitar la obtención de asistencia o servicio si llegara a necesitarlo. Usted tendrá que saber el número completo del modelo y de la serie.

Nombre del distribuidor \_\_\_\_\_

Dirección \_\_\_\_\_

Número de teléfono \_\_\_\_\_

Número del modelo \_\_\_\_\_

Número de la serie \_\_\_\_\_

Fecha de compra \_\_\_\_\_

---

## Notas

# SÉCURITÉ DU PURIFICATEUR D'AIR

## Votre sécurité et celle des autres est très importante.

Nous donnons de nombreux messages de sécurité importants dans ce manuel et sur votre appareil ménager. Assurez-vous de toujours lire tous les messages de sécurité et de vous y conformer.



Voici le symbole d'alerte de sécurité.

Ce symbole d'alerte de sécurité vous signale les dangers potentiels de décès et de blessures graves à vous et à d'autres.

Tous les messages de sécurité suivront le symbole d'alerte de sécurité et le mot "DANGER" ou "AVERTISSEMENT". Ces mots signifient :

**⚠ DANGER**

Risque possible de décès ou de blessure grave si vous ne suivez pas immédiatement les instructions.

**⚠ AVERTISSEMENT**

Risque possible de décès ou de blessure grave si vous ne suivez pas les instructions.

Tous les messages de sécurité vous diront quel est le danger potentiel et vous disent comment réduire le risque de blessure et ce qui peut se produire en cas de non-respect des instructions.

## IMPORTANTES INSTRUCTIONS DE SÉCURITÉ

**AVERTISSEMENT** : Pour réduire le risque d'incendie ou de choc électrique, ne pas utiliser le purificateur d'air avec tout appareil à commande de vitesse transistorisée.

**AVERTISSEMENT** : Pour réduire le risque d'incendie ou de choc électrique et de blessure corporelle, ne pas utiliser dans une fenêtre.

Débrancher le purificateur d'air avant de procéder à l'entretien.

## LIRE ET CONSERVEZ CES INSTRUCTIONS

### Spécifications électriques

**⚠ AVERTISSEMENT**



#### Risque de choc électrique

Brancher sur une prise à 3 alvéoles reliée à la terre.

Ne pas enlever la broche de liaison à la terre.

Ne pas utiliser un adaptateur.

Ne pas utiliser un câble de rallonge.

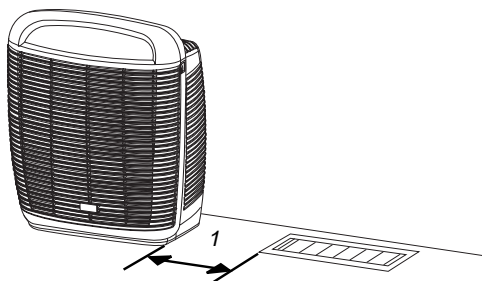
Le non-respect de ces instructions peut causer un décès, un incendie ou un choc électrique.

#### Raccordement électrique

Pour installer correctement votre purificateur d'air, vous devez déterminer le type de raccordement électrique que vous utiliserez et suivre les instructions fournies ici.

- Le purificateur d'air doit être raccordé à une prise à trois alvéoles de 115 V, 60 Hz, 15 ou 20 ampères, protégée par fusible et reliée à la terre.
- On recommande l'emploi d'un disjoncteur ou fusible temporisé.

## Exigences d'emplacement



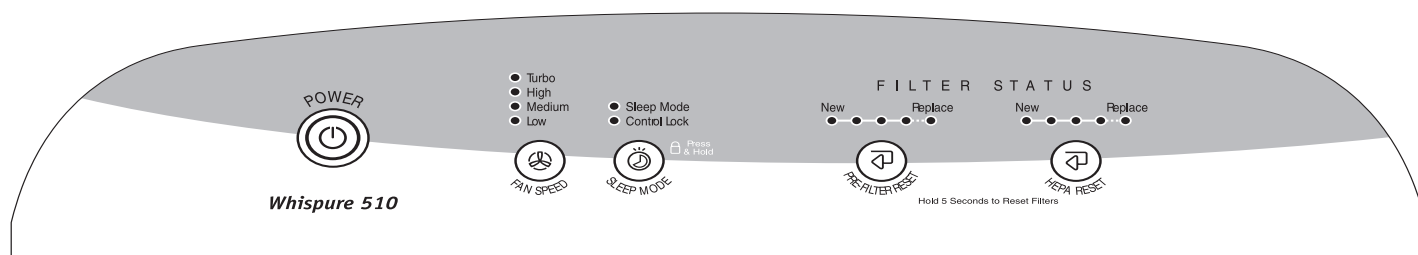
1. Dégagement minimum de 6 po (15,2 cm)

- Placer le purificateur d'air sur une surface plane à au moins 6 po (15,2 cm) des sources de chaleur telles que cuisinières ou chauffettes.
- Ne pas bloquer les événements ni placer le purificateur d'air sur une surface molle tel qu'un lit ou un canapé.
- Ce produit est conçu pour utilisation à l'intérieur seulement.

## UTILISATION DU PURIFICATEUR D'AIR

### Mise en marche/arrêt de votre purificateur d'air

**REMARQUE :** Avant de faire fonctionner le purificateur d'air, inscrire la date d'installation sur le filtre HEPA de manière à pouvoir le remplacer annuellement. Le préfiltre devrait être remplacé tous les 3 mois. Pour retirer et remplacer un des filtres, voir "Remplacement du filtre" dans la section "Entretien du purificateur d'air".



### Utilisation des commandes

## ⚠ AVERTISSEMENT



### Risque de choc électrique

Brancher sur une prise à 3 alvéoles reliée à la terre.

Ne pas enlever la broche de liaison à la terre.

Ne pas utiliser un adaptateur.

Ne pas utiliser un câble de rallonge.

Le non-respect de ces instructions peut causer un décès, un incendie ou un choc électrique.

### Fan Speed (Vitesse du ventilateur)

Appuyer sur FAN SPEED jusqu'à ce que le témoin lumineux s'allume pour la vitesse désirée.

| VITESSE DU VENTILATEUR | RÉSULTAT                              |
|------------------------|---------------------------------------|
| Low (Basse)            | Niveau minimum de bruit de l'appareil |
| Medium (Modérée)       | Puissance d'épuration plus basse      |
| High (Élevée)          | Puissance d'épuration modérée         |
| Turbo                  | Puissance d'épuration maximale        |

### Sleep Mode (Mode de veille)

Pour l'activation, appuyer sur SLEEP MODE. Au mode de veille, le ventilateur fonctionne pendant 8 heures à la vitesse basse et reprend ensuite la vitesse précédemment sélectionnée. Pour quitter ce mode avant 8 heures, appuyer sur SLEEP MODE, FAN SPEED ou POWER.

1. Brancher sur une prise à 3 alvéoles reliée à la terre.
2. Appuyer sur POWER (Marche) pour mettre le purificateur d'air en marche. Un témoin lumineux s'allume.
3. Appuyer sur POWER pour arrêter le purificateur d'air. Le témoin lumineux s'éteint.



## Control Lock (Verrouillage des commandes)

La fonction de verrouillage des commandes empêche une modification accidentelle du réglage des commandes lorsque le purificateur d'air est en marche ou arrêté.

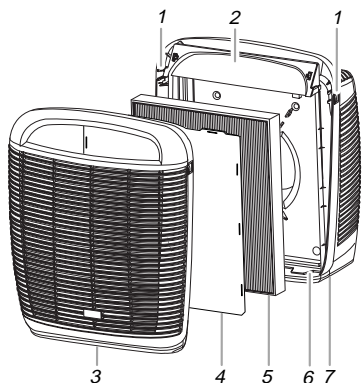
1. Appuyer pendant 5 secondes sur la touche SLEEP MODE pour le verrouillage. Le témoin lumineux de verrouillage des commandes s'allume. (On ne peut ensuite faire aucune sélection.)
2. Appuyer pendant 5 secondes sur la touche SLEEP MODE pour le déverrouillage. Le témoin lumineux de verrouillage des commandes s'éteint. (On peut alors introduire des sélections et commander la mise en marche et l'arrêt de l'appareil.)

## Témoins lumineux du statut des filtres

Les témoins du statut pour le préfiltre et le filtre HEPA permettent d'identifier s'il convient de changer un filtre. Le témoin de statut vert passe de New (Neuf) à Replace (Remplacement) selon un intervalle prédéfini. Lorsque le témoin rouge Replace clignote, remplacer le filtre selon les indications. Voir la section "Remplacement du filtre" dans la section "Entretien du purificateur d'air".

# ENTRETIEN DU PURIFICATEUR D'AIR

## Nettoyage



- |                         |                    |                      |
|-------------------------|--------------------|----------------------|
| 1. Volets de dégagement | 3. Grille frontale | 6. Fente inférieure  |
| 2. Commandes            | 4. Préfiltre       | 7. Châssis principal |
|                         | 5. Filtre HEPA     |                      |

1. Appuyer sur POWER (Marche) pour éteindre le purificateur d'air.
2. Débrancher le purificateur d'air ou déconnecter la source de courant électrique.
3. Placer les doigts sur les volets de dégagement avant. Pousser les volets doucement, puis tirer sur la grille frontale pour l'extraire.
4. Retirer les deux filtres et les mettre de côté. Ne pas essayer de laver et de réutiliser le filtre HEPA ou le préfiltre.
5. Nettoyer le purificateur d'air avec un linge doux humide.
6. Laver soigneusement la grille frontale à l'eau savonneuse.

**REMARQUE :** La grille ne peut pas être lavée au lave-vaisselle.

7. Réassembler les filtres tel qu'indiqué sur l'illustration précédente.

8. Placer les volets inférieurs de la grille frontale dans les fentes inférieures de la base du purificateur d'air. Pousser le dessus de la grille jusqu'à ce que la grille soit bien en place.
9. Brancher le purificateur d'air ou reconnecter la source de courant électrique.
10. Appuyer sur POWER pour mettre le purificateur en marche.

## Remplacement du filtre

**REMARQUE :** Les voyants situés sur le purificateur d'air s'allument lorsqu'il est temps de remplacer le préfiltre ou le filtre HEPA. Pour assurer un fonctionnement plus efficace du purificateur d'air, nous vous recommandons de remplacer le préfiltre tous les trois mois et le filtre HEPA tous les ans. Voir "Filtres de rechange" dans la section "Assistance ou service".

1. Appuyer sur POWER pour éteindre le purificateur d'air.
2. Débrancher le purificateur d'air ou déconnecter la source de courant électrique.
3. Placer les doigts sur les volets de dégagement avant. Pousser les volets doucement, puis tirer la grille frontale pour l'extraire.
4. Retirer et remplacer le filtre signalé. Installer le nouveau filtre HEPA dans le sens de la flèche située sur le châssis du filtre. Installer le nouveau préfiltre en le plaçant sur les volets.

**REMARQUE :** Ne pas essayer de laver ou de réutiliser le filtre HEPA ou le préfiltre.

5. Placer les volets inférieurs de la grille frontale dans les fentes de la base du purificateur d'air. Pousser le dessus de la grille jusqu'à ce que la grille soit bien en place.
6. Brancher le purificateur d'air ou reconnecter la source de courant électrique.
7. Appuyer sur POWER pour mettre le purificateur d'air en marche.
8. Appuyer sur le bouton de PRE-FILTER RESET (Réinitialisation du pré-filtre) ou HEPA RESET (Réinitialisation du filtre HEPA) pendant 5 secondes pour éteindre le(s) voyant(s), puis réenclencher la minuterie.

# DÉPANNAGE

Essayer d'abord les solutions suggérées ici ce qui vous évitera peut-être le coût d'une visite de service...

## Le purificateur d'air est en panne

### ■ Vérifier ce qui suit :

Le purificateur d'air est-il allumé?

Le cordon d'alimentation est-il branché dans une prise à 3 alvéoles reliée à la terre?

Un fusible est-il grillé ou un disjoncteur s'est-il déclenché?

A-t-on utilisé un fusible ordinaire? Utiliser un fusible temporisé ou disjoncteur.

---

# ASSISTANCE OU SERVICE

Avant de faire un appel pour assistance ou service, veuillez vérifier "Dépannage". Cette vérification peut vous faire économiser le coût d'une visite de service. Si vous avez encore besoin d'aide, suivre les instructions ci-dessous.

Lors d'un appel, veuillez connaître la date d'achat et les numéros au complet de modèle et de série de votre appareil. Ces renseignements nous aideront à mieux répondre à votre demande.

---

## Aux États-Unis

Téléphoner au Centre d'interaction avec la clientèle sans frais au : **1-800-253-1301**.

### Nos consultants fournissent de l'assistance pour :

- Caractéristiques et spécifications de notre gamme complète d'appareils ménagers.
- Renseignements d'installation.
- Procédés d'utilisation et d'entretien.
- Vente d'accessoires et de pièces de rechange.
- Assistance spécialisée au client (langue espagnole, malentendants, malvoyants, etc.).
- Les références aux concessionnaires, compagnies de service de réparation et distributeurs de pièces de rechange locaux. Les techniciens de service désignés par Whirlpool sont formés pour remplir la garantie des produits et fournir un service après garantie partout aux États-Unis.

Pour localiser la compagnie de service désignée par Whirlpool dans votre région, vous pouvez consulter les Pages jaunes.

### Pour plus d'assistance

Si vous avez besoin de plus d'assistance, vous pouvez nous écrire en soumettant toute question ou problème à :

Whirlpool Corporation  
Customer Interaction Center  
553 Benson Road  
Benton Harbor, MI 49022-2692

Dans votre correspondance, veuillez indiquer un numéro de téléphone où l'on peut vous joindre dans la journée.

---

## Au Canada

Téléphoner sans frais au Centre d'interaction avec la clientèle de Whirlpool Canada Inc. au : **1-800-461-5681** du lundi au vendredi - de 8 h 00 à 18 h 00 (HNE). Le samedi - de 8 h 30 à 16 h 30 (HNE).

### Nos consultants fournissent de l'assistance pour :

- Caractéristiques et spécifications de notre gamme complète d'appareils électroménagers.
- Les références aux concessionnaires locaux.

### Pour service au Canada

Téléphoner au **1-800-807-6777**. Les techniciens de service désignés par Whirlpool Canada Inc. sont formés pour remplir la garantie des produits et fournir un service après garantie partout au Canada.

### Pour plus d'assistance

Si vous avez besoin de plus d'assistance, vous pouvez nous écrire en soumettant toute question ou problème au :

Centre d'interaction avec la clientèle  
Whirlpool Canada Inc.  
1901 Minnesota Court  
Mississauga, Ontario L5N 3A7

Dans votre correspondance, veuillez indiquer un numéro de téléphone où l'on peut vous joindre pendant la journée.

---

## Filtres de rechange

Vous pouvez commander des filtres de rechange en communiquant sans frais avec notre Centre d'interaction avec la clientèle au **1-800-253-1301**.

Au Canada, veuillez composer le **1-800-807-6777**.

Vous pouvez également visiter notre site web à **www.whirlpool.com** ou **www.whirlpool.com/canada**.

**REMARQUE :** Cette information est également inscrite sur le filtre HEPA pour des raisons de commodité.

---

| Purificateur<br>N° du modèle | Filtre HEPA<br>N° de la pièce de<br>rechange | Préfiltre<br>N° de la pièce de<br>rechange |
|------------------------------|--|--|
| AP51030L                     | 1183054 ou 1187022                           | 1183063                                    |

---

# GARANTIE DE PURIFICATEUR D'AIR WHIRLPOOL GOLD® WHISPURE™

## GARANTIE COMPLÈTE DE UN AN

Pendant un an à partir de la date d'achat, si ce purificateur d'air est défaillant lorsqu'il est utilisé et entretenu conformément aux instructions jointes à ou fournies avec le produit, Whirlpool Corporation prendra des mesures pour la livraison gratuite à votre domicile d'un appareil identique ou comparable et pour le retour de votre purificateur d'air "défaillant". Votre unité de remplacement est couverte par notre garantie complète de un an. Cette garantie NE COUVRE PAS le remplacement du filtre HEPA (haute efficacité) ou du préfiltre.

**Si vous habitez au Canada et si votre purificateur d'air Whirlpool Gold® Whispure™ venait à être défaillant au cours de la première année, composer le 1-800-461-5681 pour obtenir des détails sur l'obtention d'un appareil de rechange.**

**Si vous habitez au États-Unis et si votre purificateur d'air Whirlpool Gold® Whispure™ venait à être défaillant au cours de la première année :**

1. Il suffit de téléphoner sans frais à notre Centre d'interaction avec la clientèle au **1-800-253-1301**, de 8 h à 20 h (HNE), du lundi au vendredi, et de 9 h à 15 h (HNE) le samedi.
2. Veuillez donner votre adresse d'expédition complète au conseiller (pas de numéros de boîte postale).
3. Donner votre numéro de modèle et de série au complet au conseiller.
4. Whirlpool Corporation prendra les mesures pour la livraison d'un purificateur d'air de rechange et pour le retour de votre purificateur d'air "défaillant".
5. Lorsque vous recevez votre purificateur d'air de rechange, utilisez le carton et les matériaux d'emballage pour réemballer votre purificateur d'air "défaillant". À l'intérieur du carton, indiquez vos noms et adresse sur une feuille de papier et joignez une copie de la preuve d'achat (reçu de caisse, bordereau de carte de crédit, etc.).
6. Le consultant identifiera également le centre de service désigné le plus proche de chez vous.

## GARANTIE DE SILENCE DE 30 JOURS OU ARGENT REMIS

Pendant 30 jours à compter de la date d'achat, si vous n'êtes pas complètement satisfait(e) que votre purificateur d'air Whirlpool Gold® Whispure™ est plus silencieux que votre purificateur d'air haute efficacité précédent, Whirlpool Corporation le reprendra et vous remboursera le plein prix d'achat. (Frais de finance non inclus.) Contacter le Centre d'interaction avec la clientèle au **1-800-253-1301** pour obtenir les directives à suivre pour la garantie de remboursement. En Canada, au **1-800-461-5681**.

**Whirlpool Corporation ne paiera pas pour :**

1. Visite de service pour donner des instructions concernant l'utilisation du purificateur d'air, remplacer des fusibles, rectifier le câblage, réenclencher les disjoncteurs ou remplacer les filtres à air accessibles au propriétaire.
2. Remplacement lorsque votre purificateur d'air est utilisé autrement qu'en utilisation domestique normale, unifamiliale.
3. Les dommages causés par : accident, altération, abus, incendie, inondation, catastrophe naturelle, installation incorrecte (y compris, mais ne se limitant pas à, aération avec plastique ou feuille d'aluminium), installation non conforme aux codes locaux d'électricité et de plomberie, ou utilisation de produits non approuvés par Whirlpool Corporation ou Whirlpool Canada Inc.
4. Les frais de pièces de rechange et de main-d'œuvre de réparation d'un purificateur d'air "défaillant" pour les appareils utilisés en dehors des États-Unis et du Canada.
5. Les réparations aux pièces ou systèmes résultant d'une modification non autorisée faite à l'appareil.

## WHIRLPOOL CORPORATION ET WHIRLPOOL CANADA INC. N'ASSUMENT AUCUNE RESPONSABILITÉ POUR LES DOMMAGES FORTUITS OU INDIRECTS.

Certains États ou provinces ne permettent pas l'exclusion ou la limitation des dommages fortuits ou indirects de sorte que cette exclusion ou limitation peut ne pas être applicable dans votre cas. Cette garantie vous confère des droits juridiques spécifiques et vous pouvez également jouir d'autres droits qui peuvent varier d'un État à un autre ou d'une province à une autre.

**À l'extérieur du Canada et des 50 États des États-Unis, cette garantie ne s'applique pas. Contacter votre marchand Whirlpool autorisé pour déterminer si une autre garantie s'applique.**

Si vous avez besoin de service, consulter d'abord la section "Dépannage". On peut trouver de l'aide supplémentaire à la section "Assistance ou service" ou en téléphonant à notre Centre d'interaction avec la clientèle au **1-800-253-1301**, de n'importe où aux É.-U. ou écrire à : Whirlpool Corporation, Customer Interaction Center, 553 Benson Road, Benton Harbor, MI 49022-2692. Pour le service au Canada, téléphoner à Whirlpool Canada Inc. au **1-800-807-6777**.

1/03

**Conservez ce manuel et votre reçu de vente ensemble pour référence ultérieure. Pour le service sous garantie, vous devez présenter un document prouvant la date d'achat ou d'installation.**

Inscrivez les renseignements suivants au sujet de votre purificateur d'air pour mieux vous aider à obtenir assistance ou service en cas de besoin. Vous devrez connaître le numéro de modèle et le numéro de série au complet.

Nom du marchand \_\_\_\_\_

Adresse \_\_\_\_\_

Numéro de téléphone \_\_\_\_\_

Numéro de modèle \_\_\_\_\_

Numéro de série \_\_\_\_\_

Date d'achat \_\_\_\_\_

**1186533A**

2003 Whirlpool Corporation.  
All rights reserved.

Todos los derechos reservados. © Marca registrada/TM Marca de comercio de Whirlpool, EE.UU., Uso Bajo licencia de Whirlpool Canada Inc. en Canadá  
Tous droits réservés. © Marque déposée/TM Marque de commerce de Whirlpool, U.S.A., Emploi Licencié par Whirlpool Canada Inc. au Canada

© Registered Trademark/TM Trademark of Whirlpool, U.S.A., Whirlpool Canada Inc. Licensee in Canada

2/03  
Printed in U.S.A.  
Impreso en EE. UU.  
Imprimé aux É.-U.

