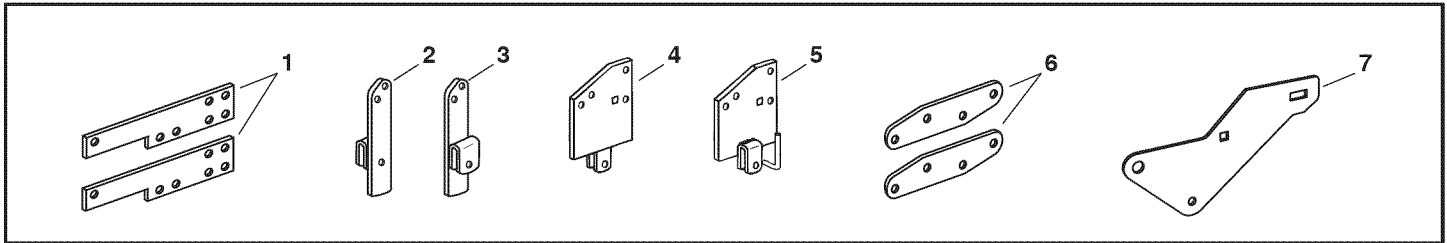


SNOW THROWER KIT

Model No. 486.24831

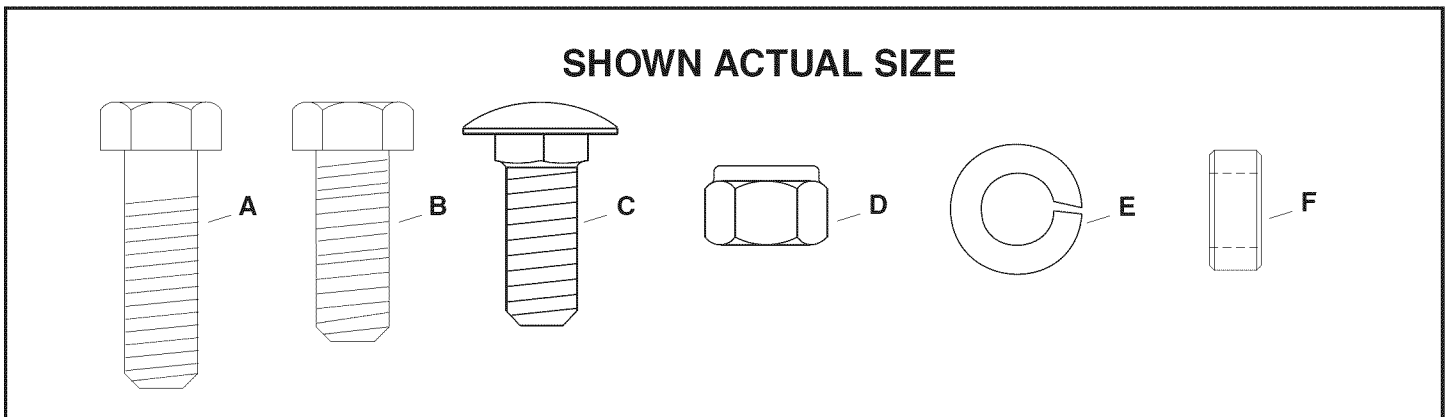
DO NOT RETURN TO STORE
For Missing Parts or Assembly
Questions Call 1-866-576-8388

CARTON CONTENTS



REF	QTY	PART NO	DESCRIPTION	REF	QTY	PART NO	DESCRIPTION
1	2	25301	Frame Bracket	4	1	63571	Hanger Bracket, L.H.
2	1	64943	Front Hanger Bracket, L.H. 54"	5	1	63572	Hanger Bracket, R.H.
3	1	64944	Front Hanger Bracket, R.H. 54"	6	2	26557	Mounting Bracket
				7	1	26556	Side Plate, R.H.

HARDWARE PACKAGE CONTENTS



REF	QTY	PART NO	DESCRIPTION	REF	QTY	PART NO	DESCRIPTION
A	2	43087	3/8" x 1-1/4" Hex Bolt	D	12	HA21362	3/8" Nylock Nut
B	14	43001	3/8" x 1" Hex Bolt	E	12	43003	3/8" Lock Washer
C	4	43350	3/8" x 1" Carriage Bolt	F	2	23625	Spacer

USE THE FOLLOWING INSTRUCTIONS IN PLACE OF STEPS #1 THRU #46 IN THE SNOW THROWER MANUAL.

PARTS SHOWN IN GRAY ARE SUPPLIED WITH THE KIT.

Right hand (R.H.) and left hand (L.H.) are determined from the operators position while seated on the tractor.

STEP 1: (SEE FIGURE 1a or 1b)

- Determine if your tractor has bolts like those shown in figure 1a or 1b.
- Remove either the hex bolts as shown in figure 1a or the nuts as shown in figure 1b.
- Repeat for the L.H. front suspension bracket.

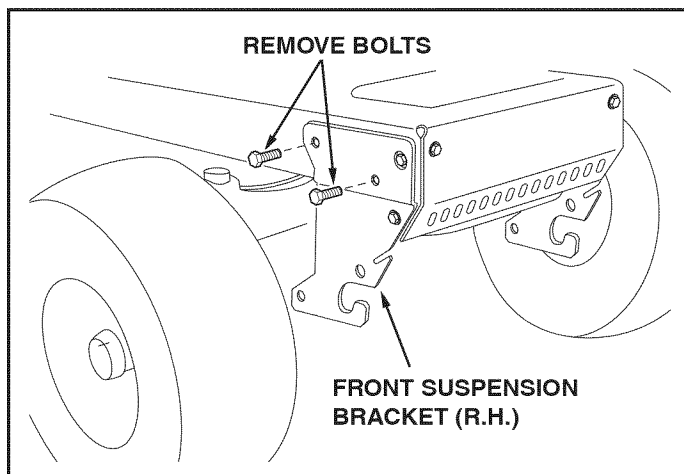


FIGURE 1a RIGHT SIDE VIEW

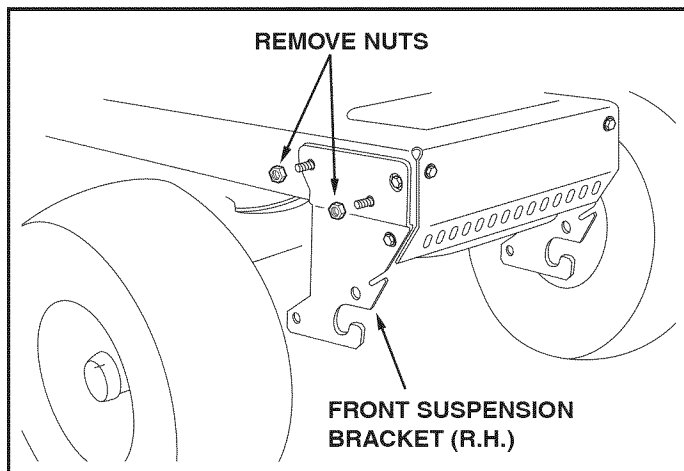


FIGURE 1b RIGHT SIDE VIEW

STEP 2: (SEE FIGURE 2a or 2b)

- Attach the R.H. side plate (supplied with the kit) to the tractor. If you removed bolts as shown in figure 1a, install two 3/8" x 1" hex bolts and 3/8" lock washers as shown in figure 2a. If you removed nuts as shown in figure 1b, install two 3/8" x 1" carriage bolts, 3/8" lock washers and 3/8" nylock nuts as shown in figure 2b.

NOTE: If you remove the side plates from the tractor, be sure to reassemble bolts and nuts back into the frame.

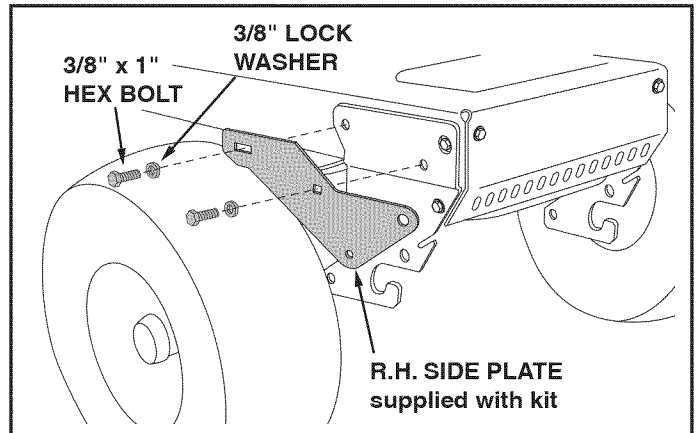


FIGURE 2a RIGHT SIDE VIEW

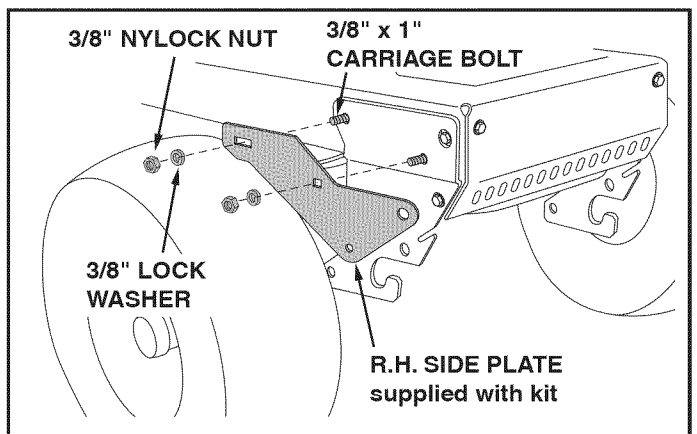


FIGURE 2b RIGHT SIDE VIEW

STEP 3: (SEE FIGURE 3)

- Attach the L.H. side plate (supplied with the snow thrower) to the left side of the tractor frame in the same manner as the R.H. side plate.

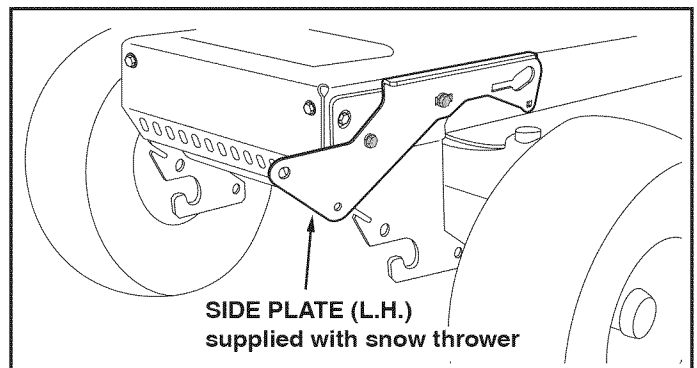


FIGURE 3 LEFT SIDE VIEW

If you have a 54" mower deck skip to step #9.
For smaller decks use the following instructions.

STEP 4: (SEE FIGURE 4)

- Remove the mower stop bracket and its two bolts and nuts from the R.H. side of the tractor frame.
- If the tractor has a muffler guard at the front of the R.H. foot rest, remove the bottom bolt and nut, and the washer which is located between the guard and the tractor frame.
- Remove the two bolts from the bottom of both the R.H. and L.H. foot rests.

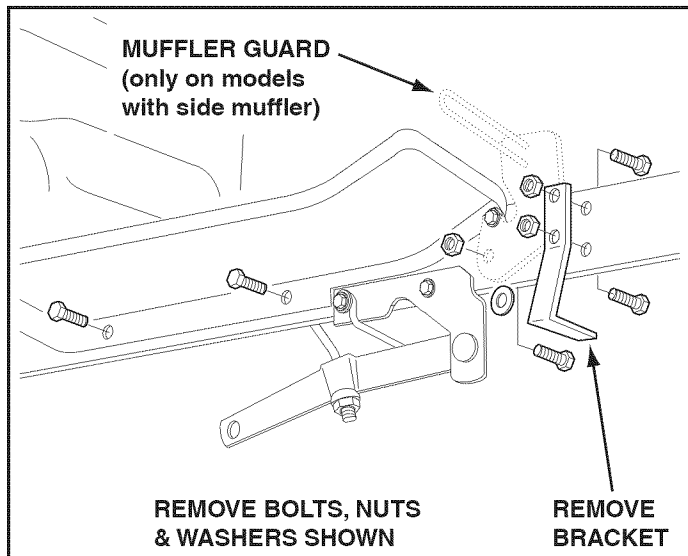


FIGURE 4 RIGHT SIDE VIEW

STEP 5: (SEE FIGURE 5)

- Assemble the R.H. hanger bracket to the bottom hole where the mower stop bracket was removed and to the upper hole under the front of the foot rest. Fasten with two 3/8" x 1" hex bolts, 3/8" lock washers and 3/8" nylock nuts. (On tractors with muffler guards, slide the hanger bracket between the guard and the tractor frame.)

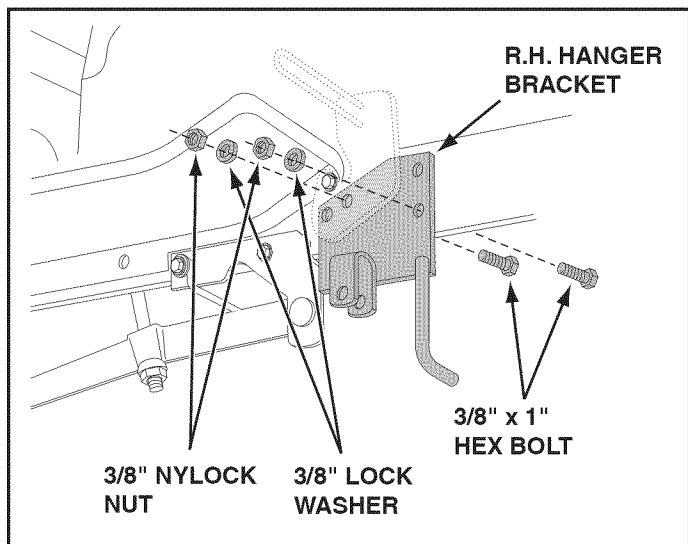


FIGURE 5 RIGHT SIDE VIEW

STEP 6: (SEE FIGURE 6)

- Assemble the L.H. hanger bracket to the left side of the tractor frame using two 3/8" x 1" hex bolts, two 3/8" lock washers and two 3/8" nylock nuts.

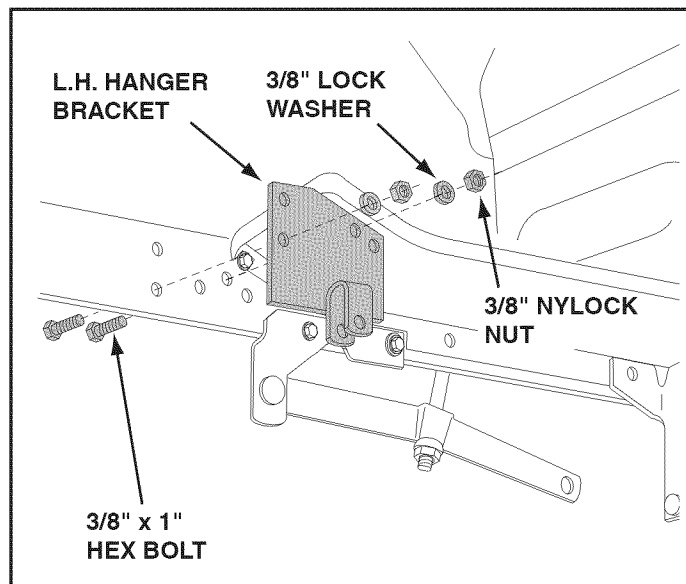


FIGURE 6 LEFT SIDE VIEW

STEP 7: (SEE FIGURE 7)

- Assemble a frame bracket to the L.H. foot rest and sway bar bracket. Use two 3/8" x 1-1/4" hex bolts, two 3/8" lock washers and one spacer.
- Assemble a shoulder bolt (P) and a 3/8" flanged nut (BB) (both supplied with the snow thrower) to the frame bracket.

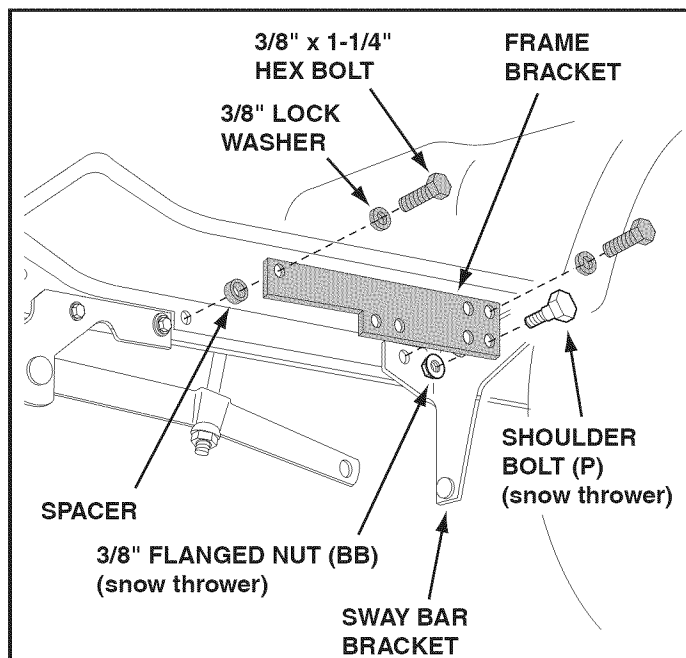


FIGURE 7 LEFT SIDE VIEW

STEP 8: (SEE FIGURE 8)

- Assemble a frame bracket to the R.H. foot rest. Use two 3/8" x 1" hex bolts and two 3/8" lock washers.
- Assemble a shoulder bolt (P) and a 3/8" flanged nut (BB) (both supplied with the snow thrower) to the frame bracket.
- Proceed to step #14 on page 6.

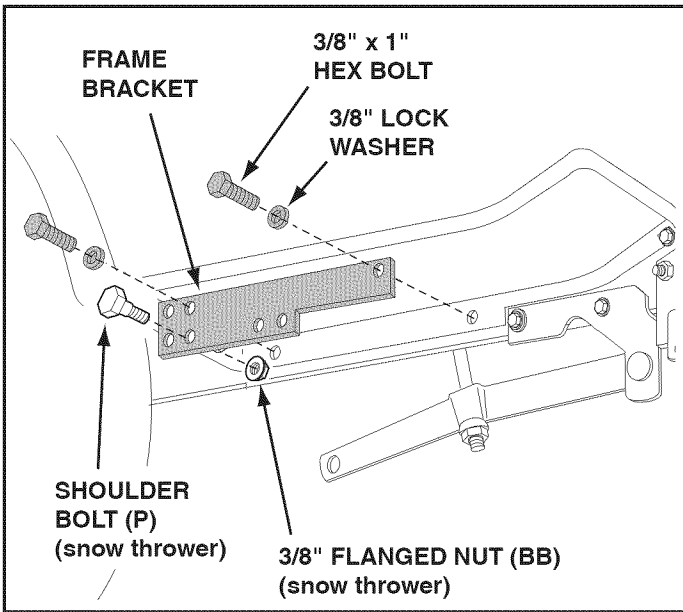


FIGURE 8 RIGHT SIDE VIEW

STEP 10: (SEE FIGURE 10)

Only for 54" mower decks

- Assemble the 54" R.H. hanger bracket to the holes on the right side of the tractor frame where the mower stop bracket was removed. Fasten with two 3/8" x 1" hex bolts, two 3/8" lock washers and one 3/8" nylock nut.

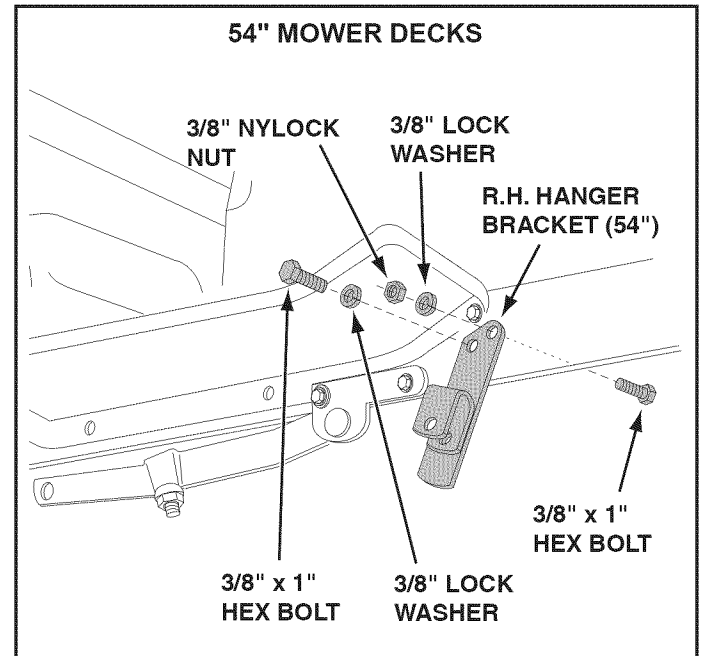


FIGURE 10 RIGHT SIDE VIEW

Steps #9 thru #13 for tractors with 54" mower decks.

STEP 9: (SEE FIGURE 9)

Only for 54" mower decks

- Remove and store the mower stop bracket and bolt from both sides of the tractor frame.
- Remove the two bolts from the bottom of the foot rests on both sides of the tractor frame.

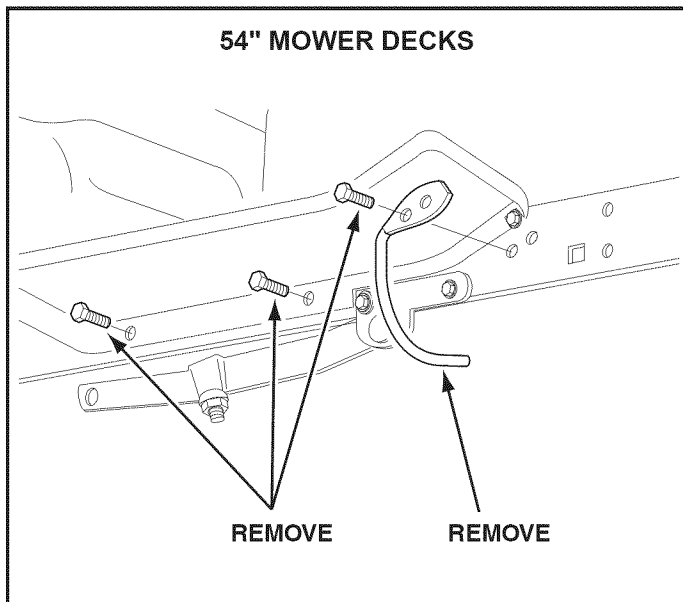


FIGURE 9 RIGHT SIDE VIEW

STEP 11: (SEE FIGURE 11)

Only for 54" mower decks

- Assemble the 54" L.H. hanger bracket to the holes where the mower stop bracket was removed on the left side of the tractor frame. Fasten with two 3/8" x 1" hex bolts, two 3/8" lock washers and two 3/8" nylock nuts.

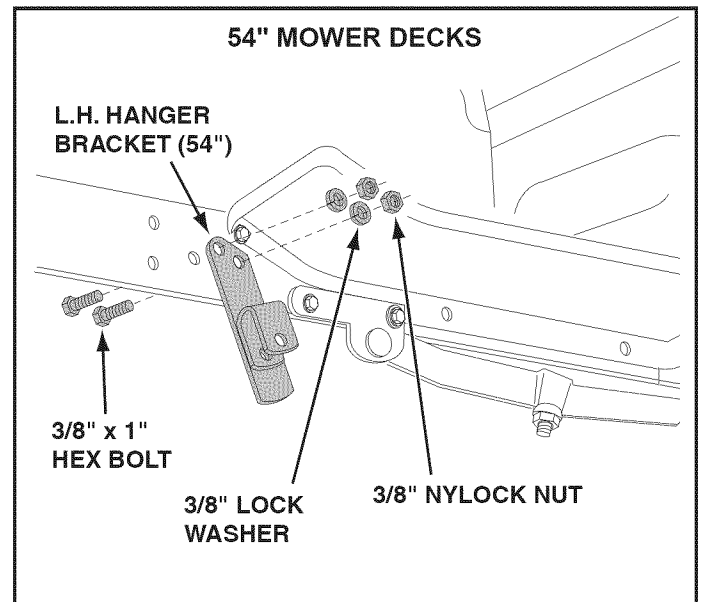


FIGURE 11 LEFT SIDE VIEW

STEP 12: (SEE FIGURE 12)

Only for 54" mower decks

- Assemble a frame bracket to the L.H. foot rest. Use two 3/8" x 1-1/4" hex bolts, two 3/8" lock washers and two spacers.
- Assemble a shoulder bolt (P) and a 3/8" flanged nut (BB) (both supplied with the snow thrower) to the frame bracket.

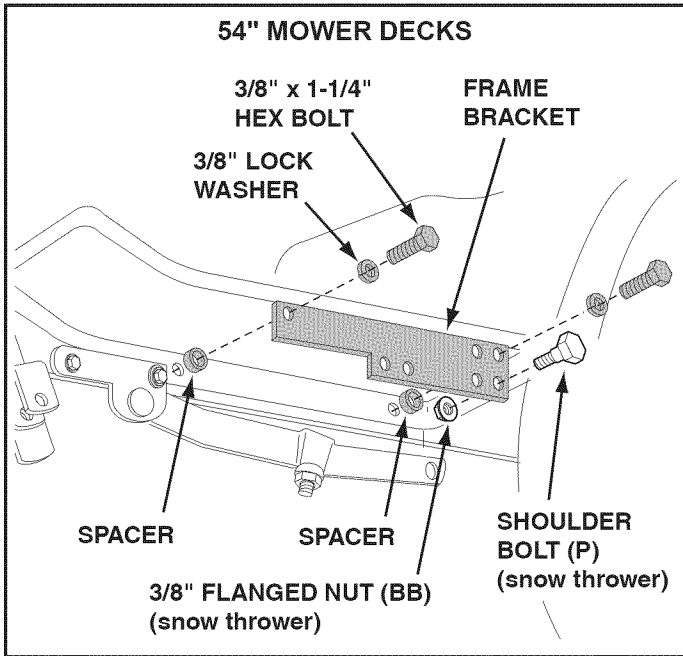


FIGURE 12 LEFT SIDE VIEW

STEP 13 (SEE FIGURE 13)

Only for 54" mower decks

- Assemble a frame bracket to the R.H. foot rest. Use two 3/8" x 1" hex bolts and two 3/8" lock washers.
- Assemble a shoulder bolt (P) and a 3/8" flanged nut (BB) (both supplied with the snow thrower) to the frame bracket.

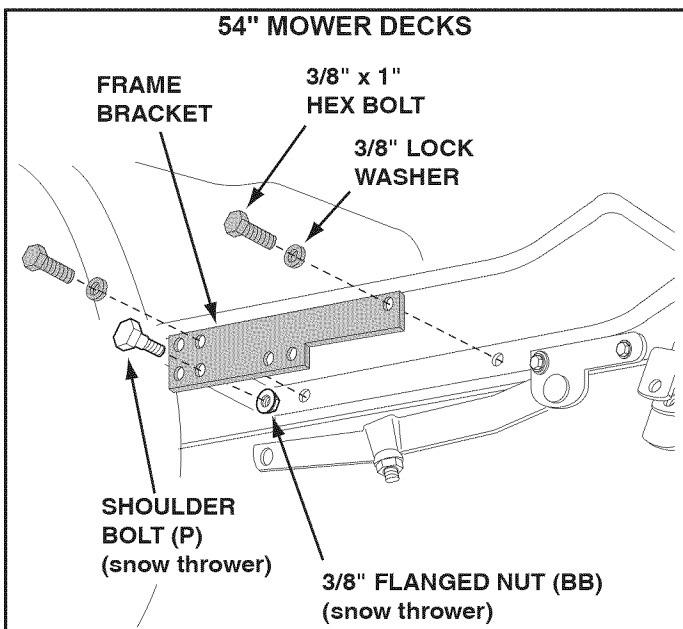


FIGURE 13 RIGHT SIDE VIEW

ALL PARTS IN THE FOLLOWING INSTRUCTIONS ARE SUPPLIED WITH THE SNOW THROWER EXCEPT FOR THOSE PARTS SHOWN IN GRAY, WHICH ARE SUPPLIED WITH THE KIT.

STEP 14: (SEE FIGURE 14)

- Attach the two suspension arms to the outside of the clutch/idler assembly using two 5/16" x 3/4" hex bolts (E) and 5/16" nylock nuts (CC) for each arm.

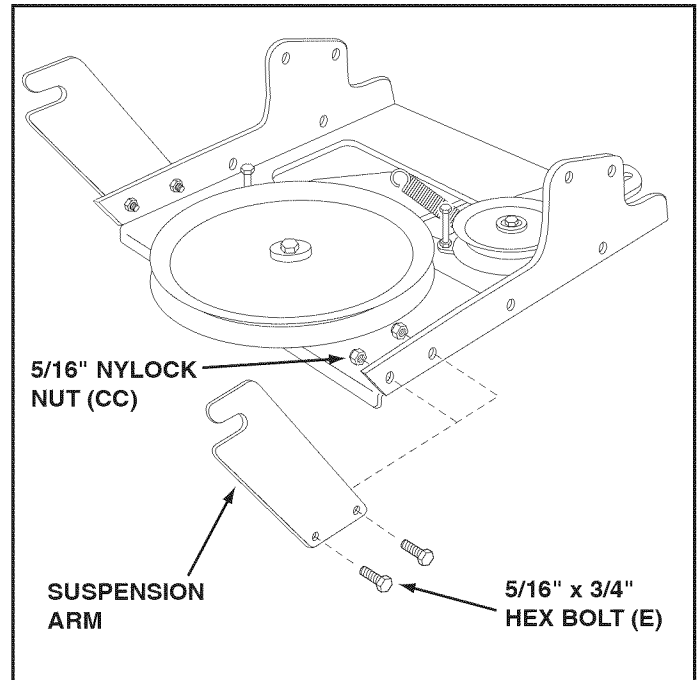


FIGURE 14

STEP 15: (SEE FIGURE 15)

- Attach the two mounting brackets to the front of the clutch/idler assembly using four 3/8" x 1" hex bolts and 3/8" nylock nuts. Place the frame brackets on the outside of the assembly frame.

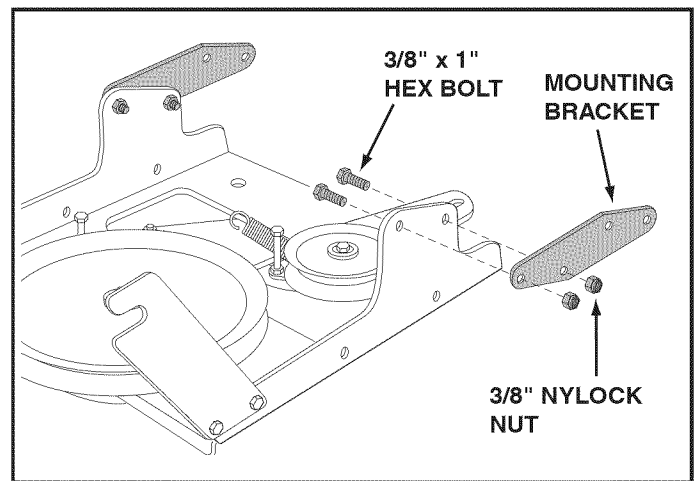


FIGURE 15

STEP 16: (SEE FIGURE 16)

- Turn the clutch/idler assembly upside down.
- Hook the end of the spring (GG) onto the bottom of the bolt and nut which secure the idler pulley to the upper idler arm. Hold the bolt head and assemble a 3/8" hex lock nut (DD) onto the bolt, leaving enough space for the spring to pivot freely between the two nuts.

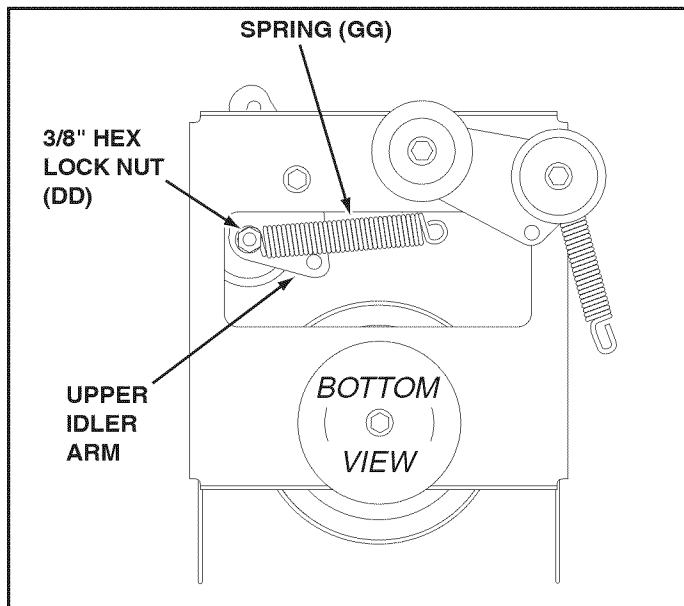


FIGURE 16 VIEWED FROM BOTTOM

STEP 18: (SEE FIGURE 18)

- Two different length drive belts are supplied with your snow thrower. Select the shorter belt with #46989 printed on it.
- Slightly loosen the hex bolt next to the upper idler pulley. Install the drive belt down between the hex bolt and the upper idler pulley with the flat side of the belt against the pulley. Retighten the hex bolt.
- Loop the belt around the large v-pulley, placing it between the v-pulley and the hex bolt next to the pulley.

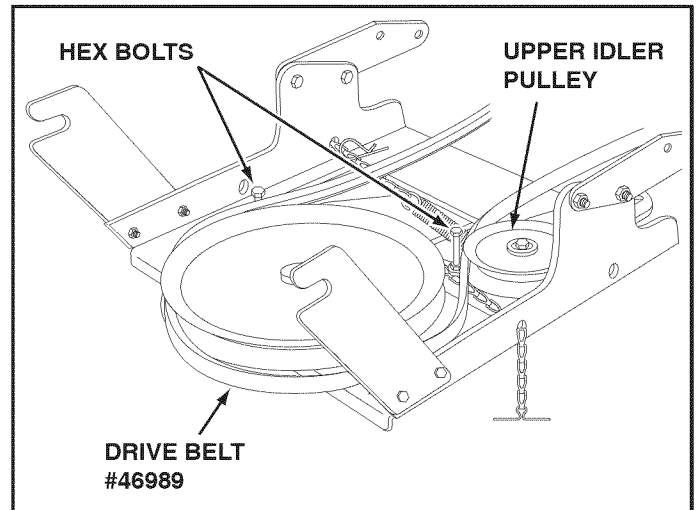


FIGURE 18

STEP 17: (SEE FIGURE 17)

- Turn the clutch/idler assembly right side up.
- Insert the tensioning chains through the holes shown on the left and right sides. Attach the ends of the chains to the springs on the upper and lower idler arms.
- Install a 3/32" hairpin cotter (LL) into the left side chain. If the tractor's engine pulley is smaller than 6", place it in link #3 from the spring. For larger engine pulleys, place it in link #6 from the spring.

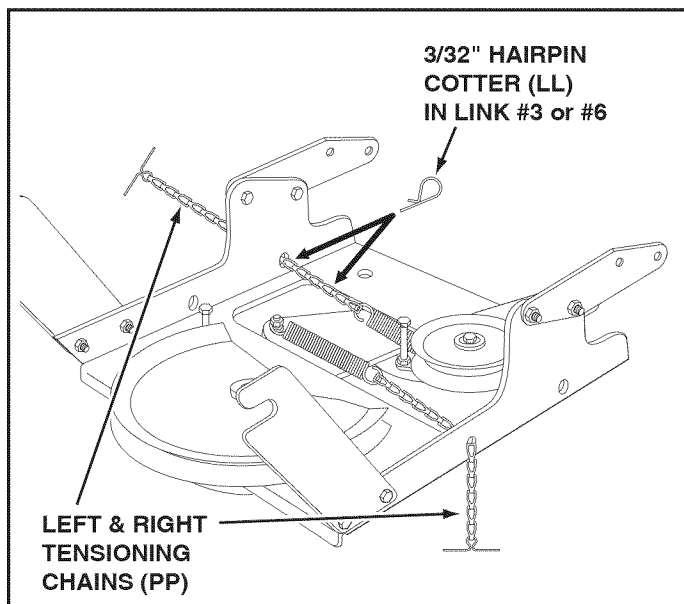


FIGURE 17

STEP 19: (SEE FIGURE 19)

Only for mower decks smaller than 54"

- Attach the rear of the clutch/idler assembly to the tractor frame by sliding the notched arms of the assembly onto the shoulder bolts assembled to the frame brackets. Lift the front of the assembly, positioning the upper idler pulley so that it clears the engine pulley. Attach the front of the assembly to the hanger brackets using two pivot lock pins (MM) and two hairpin cotters (KK).

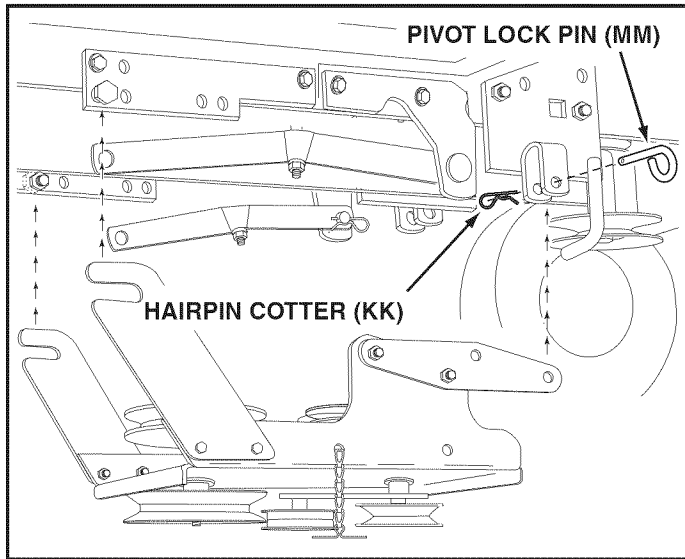


FIGURE 19

STEP 20: (SEE FIGURE 20)

Only for 54" mower decks

- Attach the rear of the clutch/idler assembly to the tractor frame by sliding the notched arms of the assembly onto the shoulder bolts assembled to the frame brackets. Lift the front of the assembly, positioning the upper idler pulley so that it clears the engine pulley. Attach the front of the assembly to the hanger brackets using two pivot lock pins (MM) and two hairpin cotters (KK).

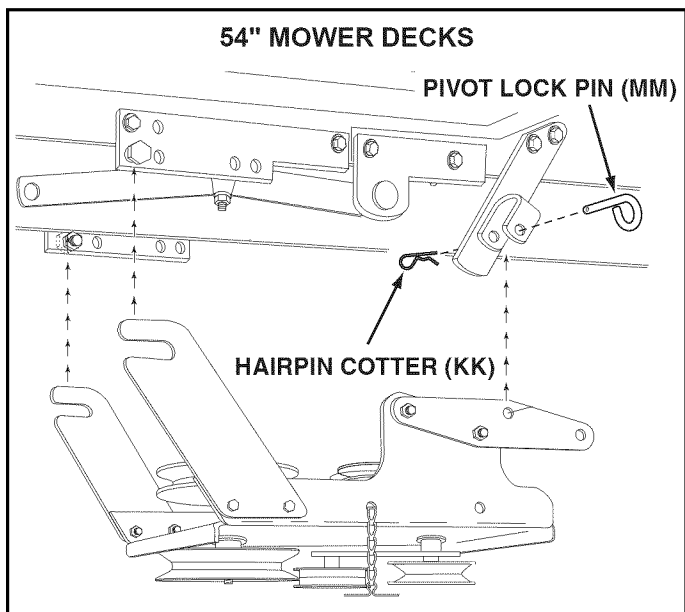


FIGURE 20

COMPLETE STEPS #47 THRU #59 IN THE SNOW THROWER MANUAL, THEN RETURN TO STEP 21 ON THIS PAGE.

STEP 21: (SEE FIGURE 21)

- Loosen the two hex bolts and nuts which fasten the top of the tractor drawbar to the rear of the tractor frame.
- Assemble the notched end of the side brace arms down onto both loosened bolts. **Do not tighten yet.**
- Fasten the weight tray to the drawbar using a 1/2" x 1-1/4" hex bolt (A), a 1/2" washer (V) and a 1/2" nylock nut (EE). **Do not tighten yet.**
- Fasten the weight tray to the side brace arms using two 5/16" x 1" carriage bolts (N) and two 5/16" nylock nuts (CC). **Do not tighten yet.**
- Fasten the cross brace to the side brace arms using two 5/16" x 1" carriage bolts (N) and two 5/16" nylock nuts (CC). **Tighten all loose bolts at this time.**

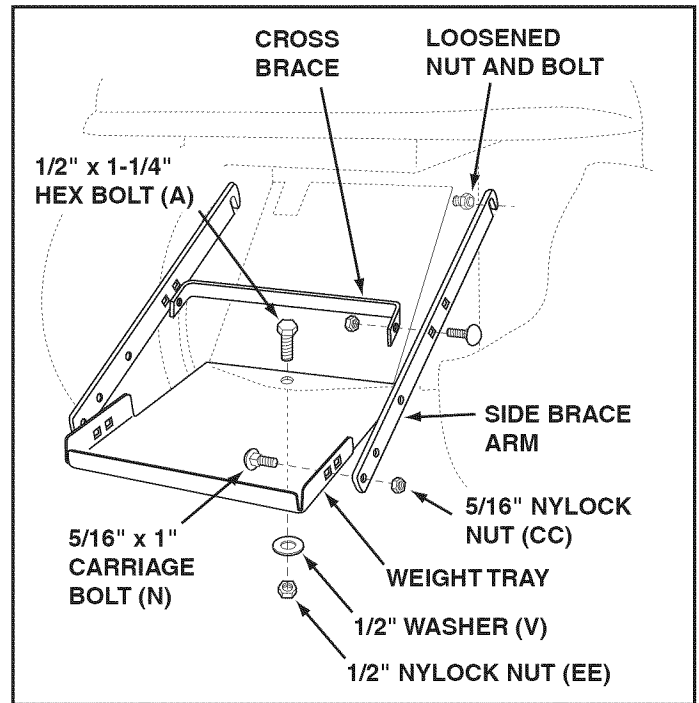


FIGURE 21

VIEWED FROM REAR

RETURN TO STEP #64 IN THE SNOW THROWER MANUAL AND FINISH ASSEMBLING THE SNOW THROWER.

Get it fixed, at your home or ours!

Your Home

For expert troubleshooting and home solutions advice:

manage my home

www.managemyhome.com

For repair – **in your home** – of **all** major brand appliances, lawn and garden equipment, or heating and cooling systems, **no matter who made it, no matter who sold it!**

For the replacement parts, accessories and owner's manuals that you need to do-it-yourself.

For Sears professional installation of home appliances and items like garage door openers and water heaters.

1-800-4-MY-HOME[®] (1-800-469-4663)

Call anytime, day or night (U.S.A. and Canada)

www.sears.com www.sears.ca

Our Home

For repair of carry-in items like vacuums, lawn equipment, and electronics, call anytime for the location of your nearest

Sears Parts & Repair Service Center

1-800-488-1222 (U.S.A.) **1-800-469-4663** (Canada)

www.sears.com

www.sears.ca

To purchase a protection agreement on a product serviced by Sears:

1-800-827-6655 (U.S.A.)

1-800-361-6665 (Canada)

Para pedir servicio de reparación a domicilio, y para ordenar piezas:

1-888-SU-HOGAR[®]

(1-888-784-6427)

Au Canada pour service en français:

1-800-LE-FOYER^{MC}

(1-800-533-6937)

www.sears.ca

Sears

® Registered Trademark / TM Trademark / SM Service Mark of Sears Brands, LLC

® Marca Registrada / TM Marca de Fábrica / SM Marca de Servicio de Sears Brands, LLC

^{MC} Marque de commerce / ^{MD} Marque déposée de Sears Brands, LLC

© Sears Brands, LLC