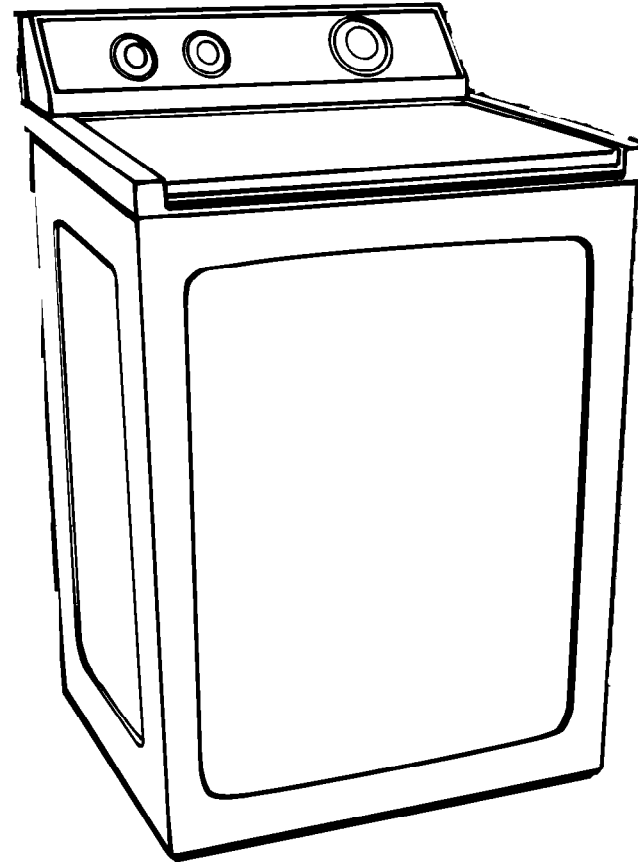


Installation Instructions



Part No. 3429274 Rev. A

IMPORTANT:
Read and save
these instructions.

IMPORTANT

Installer: Leave Installation Instructions with the homeowner.

Homeowner: Keep Installation Instructions for future reference.

Save Installation Instructions for local electrical inspector's use.

Portable
Washer

Before you start...

Check location where washer will be installed. Proper installation is your responsibility. Make sure you have everything necessary for correct installation.

Hot and cold single-spout water faucet: Must be accessible within 4 feet of back of washer and provide 5-100 PSI water pressure.

Sink or laundry tub: Must have minimum carry-away capacity of .11 gallons per minute to drain washer. Top of sink or tub must be at least 27 inches high and no higher than 48 inches from bottom of washer.

Level floor: Maximum slope under entire washer 3/8 inch.

Support: Floor must be sturdy enough to support washer, water and wash load weight of 260 pounds.

SEE RECESSED AREA INSTRUCTIONS ON BACK COVER.

Untape and open washer lid.
Remove packages from washer.

Grounded electrical outlet is required. See Electrical requirements.

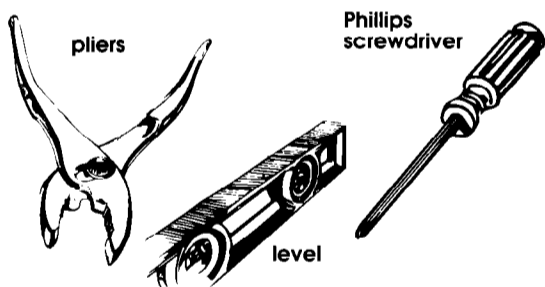
Important: Observe all governing codes and ordinances.

Water heater: Set to deliver 140°F water to washer.

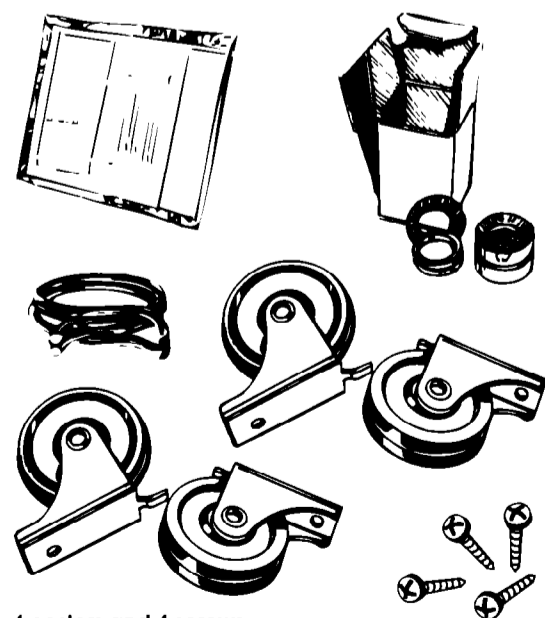
⚠ CAUTION

Product Damage
Do Not store or operate washer below 32°F (some water may remain in washer).
See Use & Care Guide for "Winterizing" Information.
Failure to follow above may result in product damage.

Tools needed for installation:



Parts supplied for installation:



4 casters and 4 screws
1 faucet adapter kit
literature package
1 hose clamp
inlet drain hose

Remove parts from packages. Check that all parts were included.

Electrical requirements

⚠ WARNING

Electrical Shock Hazard

- **Electrical ground is required on this appliance.**
- **If cold water pipe is interrupted by plastic, non-metallic gaskets or other insulating materials, Do Not use for grounding.**
- **Do Not ground to gas pipe.**
- **Do Not modify the power supply cord plug. If it does not fit the outlet, have a proper outlet installed by a qualified electrician.**
- **Do Not have a fuse in the neutral or grounding circuit. A fuse in the neutral or grounding circuit could result in an electrical shock.**
- **Do Not use an extension cord with this appliance.**
- **Check with a qualified electrician if you are in doubt as to whether the appliance is properly grounded.**

Failure to follow these instructions could result in serious injury or death.

If codes permit and a separate grounding wire is used, it is recommended that a qualified electrician determine that the grounding path is adequate.

120-volt, 60-Hz, AC-only, 15- or 20-ampere fused electrical supply is required. (Time-delay fuse or circuit breaker is recommended.) It is recommended that a separate circuit serving only this appliance be provided.

Recommended grounding method

For your personal safety, this appliance must be grounded. This appliance is equipped with a power supply cord having a 3-prong grounding plug. To minimize possible shock hazard, the cord must be plugged into a mating 3-prong grounding-type wall receptacle, grounded in accordance with National Electrical Code, ANSI/NFPA 70-latest edition and all local codes and ordinances. See Figure 1. If a mating wall receptacle is not available, it is the personal responsibility and obligation of the customer to have a properly grounded 3-prong wall receptacle installed by a qualified electrician.

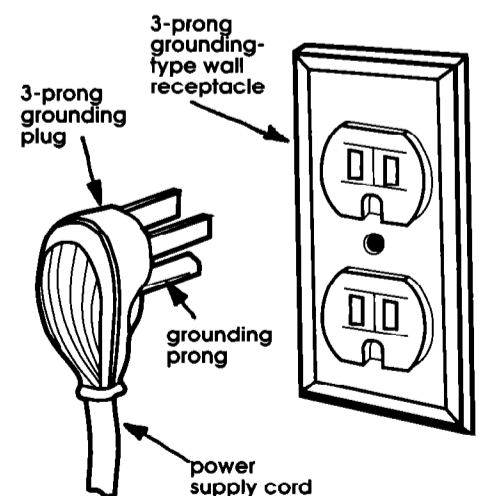


Figure 1

Now start...

With washer in laundry area.

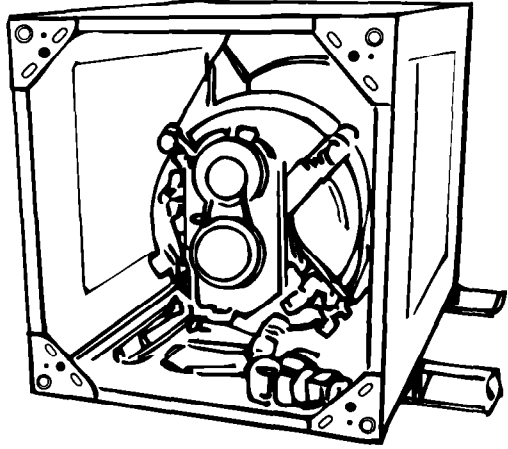
1. Place two corner posts from the carton on the floor in back of the washer.

CAUTION

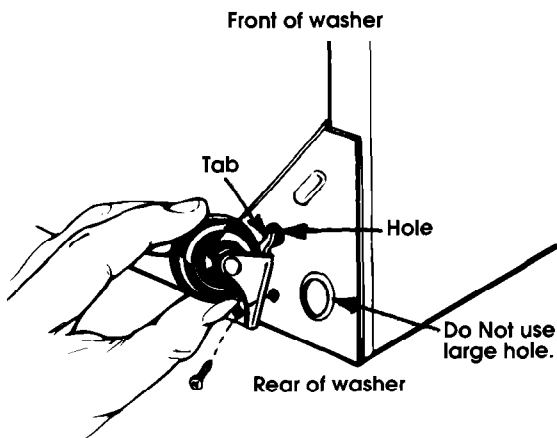
Product/Property Damage

- Tape lid closed.
- Grasp washer body, not the console or lid, when placing washer on its back.
- Place washer on corner posts from carton.

Failure to follow these instructions may result in product or property damage.



2. Firmly grasp the body of the washer and gently lay it on its back on the corner posts. Remove shipping pieces.



3. Insert tab of one caster into hole located near the center of the lower right corner of the washer bottom. Use a screw to attach other end of caster so that wheel faces front of washer cabinet. Do Not use large hole.

Attach other casters in the same way — with wheels facing the front of the washer cabinet. **If all caster wheels do not face the front of the washer cabinet, the washer will not move easily and may vibrate during use.**

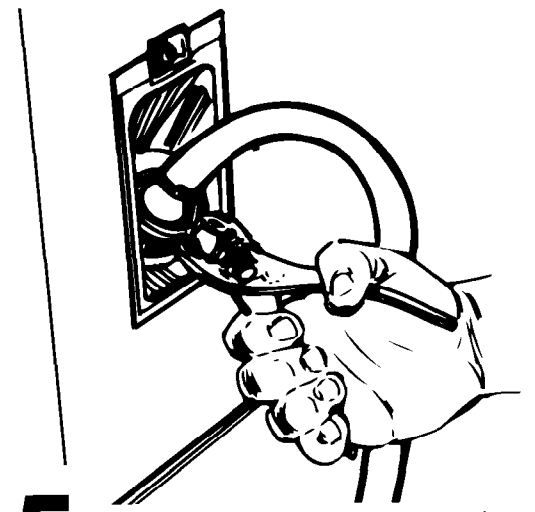
CAUTION

Product/Property Damage

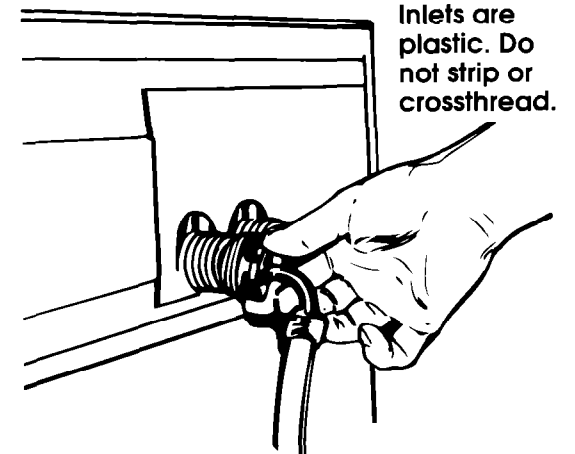
Tightly grasp washer body, not the console or lid, when standing washer upright. Washer will roll easily on casters.

Failure to follow this instruction may result in product or property damage.

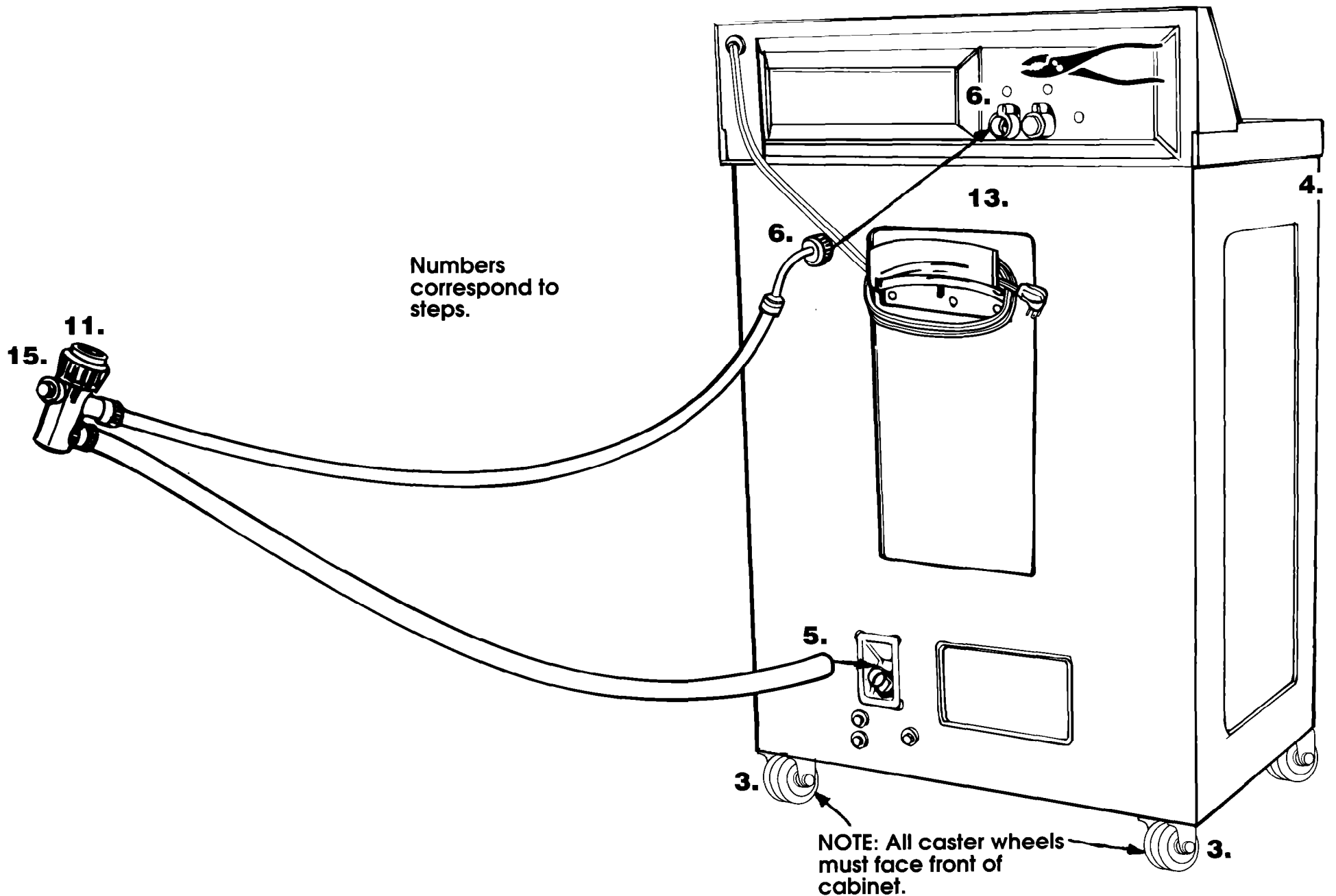
4. Firmly grasp body of washer and stand washer upright.

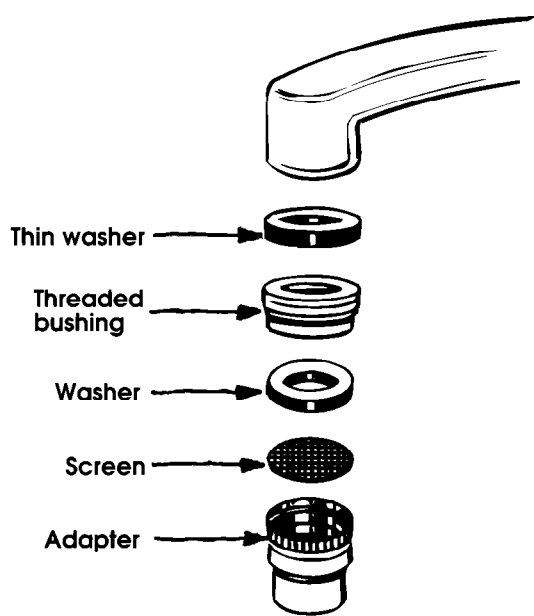


5. Place hose clamp over washer drain connector. Push drain hose down over washer drain connector. Use pliers to open clamp and slide clamp up over drain hose and connector. Release clamp and check for good fit. **DO NOT KINK OR TWIST HOSE.**



6. Attach inlet hose to left inlet valve opening. Tighten coupling by hand. Use pliers to make an additional two-thirds turn.





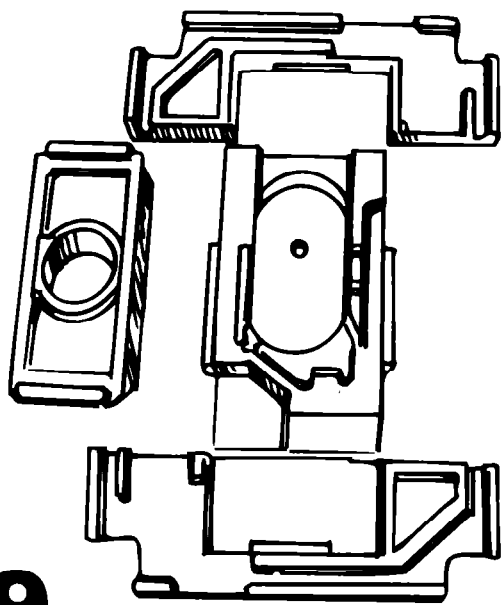
7. Use the faucet adapter kit that came with your washer to modify the faucet where washer will be used. (If you have a portable dishwasher, you may be able to use the same adapter.)

Remove screen holder or aerator from end of faucet. For faucets with external threads, screw adapter directly onto faucet end.

If faucet has internal threads, first install washer and threaded bushing, then screw adapter onto the bushing. For other faucet types, contact your local plumbing supply distributor for a special adapter kit.

Note: If washer will be used at a faucet equipped with a spray hose attachment, constant pressure may cause the spray hose to leak. To prevent potential problems, permanently disconnect the spray hose or replace with a high pressure hose.

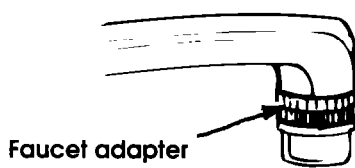
8. CHECK ELECTRICAL REQUIREMENTS. BE SURE YOU HAVE CORRECT ELECTRICAL SUPPLY AND RECOMMENDED GROUNDING METHOD.



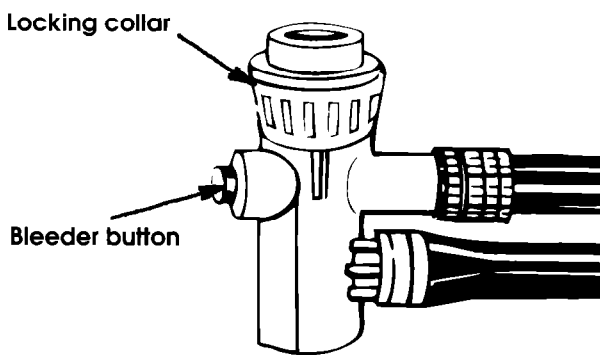
9. Check that you have:

- all the tools you started with.
- removed all shipping materials.
- installed all parts listed on Panel A.

10. Read the Use and Care Guide, so you can get the best use from your new washer. Move the washer to the location where it will be used.



Faucet adapter



11. Turn the hot water faucet on until water is hot. Turn faucet off. Attach hose connector to faucet by pulling down on the locking collar while pushing the connector over the faucet adapter. It will snap into place. Release locking collar.

12. Turn on the water faucet slowly to the full open position. Check for leaks. Tighten coupling, if necessary.

13. Untape electrical cord and plug into grounded outlet.

14. Now start the washer and allow it to complete the regular cycle.

15. When cycle is completed, unplug electrical cord and turn washer faucet to "OFF" position. Press the red bleeder button on the connector to release water pressure. With one hand move the locking collar downward while using the other hand to pull down on the connector. Turn water connector upside down to empty remaining water.

To get the most efficient use from your new washer, read your Use and Care Guide. Keep Installation Instructions and Guide close to washer for easy reference.

Permanent installation

To permanently install your portable washer you need the Permanent Installation Kit 3430190 available from authorized parts distributors.

Recessed area instructions

This washer may be installed in a recessed area or closet.

The installation spacing is in inches and is minimum allowable.

Additional spacing should be considered for ease of installation and servicing.

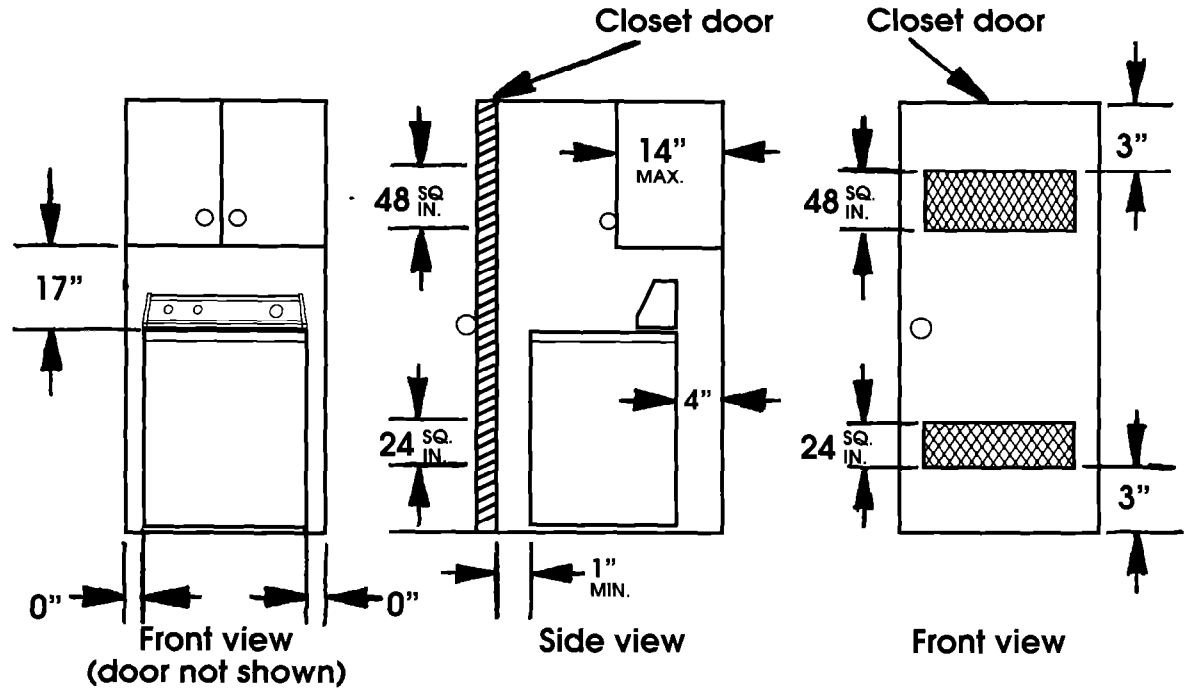
If closet door is installed, the minimum air openings in top and bottom are required. Louvered doors with air openings in top and bottom are acceptable.

Companion appliance spacing should be considered.

If you need assistance...

Check your Use and Care Guide for a toll-free number to call or call the dealer from whom you purchased this appliance. The dealer is listed in the Yellow Pages of your phone directory under "Appliances - Major".

When you call, you will need the washer model number and serial number. Both numbers are on the serial/rating plate located under the washer lid and on the top of the washer.



Minimum installation spacing

* Note: If a compact dryer is mounted above a washer in a stack stand or wall mount kit, there must be at least 43 inches in front of the washer. Then washer can be moved away from wall or rear of stack stand kit to completely open washer lid.

