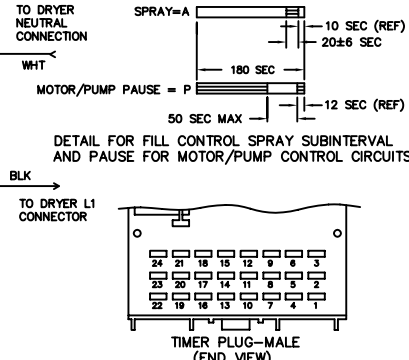
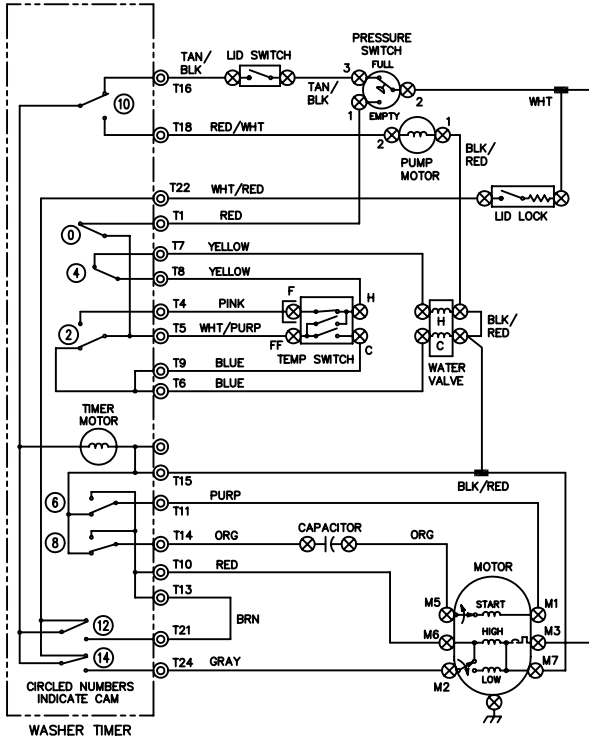


CAUTION: DISCONNECT ELECTRIC CURRENT BEFORE SERVICING

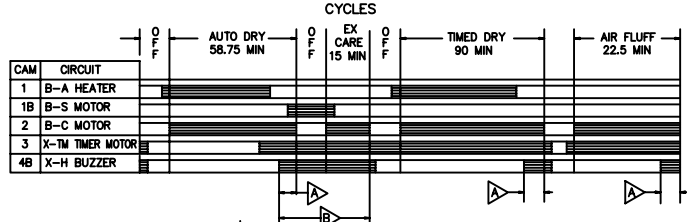
TERM	CIRCUIT	REGULAR			OFF	EX. RINSE PUMP (9 MIN)	OFF	PERM. PRESS			OFF	KNITS & DELICATE			OFF	SOAK (12 MIN)	PREWASH (3)	OFF
		WASH (15 MIN)	PUMP (6 MIN)	PUMP (15 MIN)				WASH (12 MIN)	PUMP (6 MIN)	PUMP (6 MIN)		WASH (6 MIN)	PUMP (6 MIN)	PUMP (6 MIN)				
1	FILL CONTROL																	
2	WASH FILL																	
3	WASH FILL																	
4	RINSE FILL																	
5	WATER TEMP																	
6	SPIN DIR																	
7	AGITATE DIR																	
8	AGITATE DIR																	
9	SPIN DIR																	
10	AGIT CONTROL																	
11	PUMP																	
12	SPIN CONTROL																	
13	HIGH SPEED MOTOR																	
14	SPIN CONTROL																	
15	LOW SPEED MOTOR																	
16																		
17																		
18																		
19																		
20																		
21																		
22																		
23																		
24																		



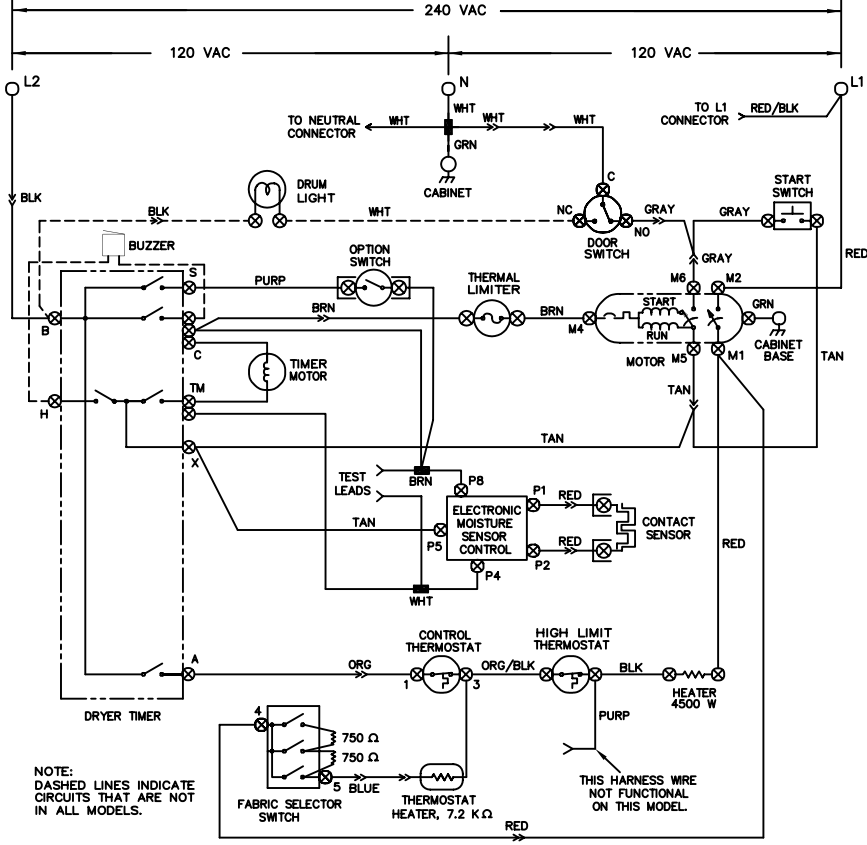
WIRING CODES	
⊙	PLUG IN TIMER TERMINAL
⊗	QUICK DISCONNECT TERMINAL
⊙	SCREW TERMINAL
+	CONNECTION
+	NO CONNECTION
⊕	MOTOR SWITCH
⊕	SPLICE
⊕	MOTOR PROTECTOR
⊕	CHASSIS (CABINET) GROUND
⊕	HARNES CONNECTOR TERMINAL
⊕	INSULATED TERMINAL

TEMPERATURE SWITCH CIRCUIT			
WASH/RINSE	F-H	FF-H	FF-C
HOT/COLD	X	O	O
WARM/WARM (OPT)	O	X	X
COLD/COLD	O	O	X
WARM/COLD	X	O	X

X=CLOSED O=OPEN



- NOTES:
- ALL WIRING MUST CONFORM TO LOCAL ELECTRICAL CODES.
 - CONNECT DRYER TO 30 AMP INDIVIDUAL BRANCH CIRCUIT.
 - DRYER TIMER SHOWN IN OFF POSITION DOOR SWITCH CLOSED, MOTOR AT REST, THERMOSTAT CLOSED, AND FABRIC SELECTOR SWITCH AT HIGH HEAT.
- WASHER TIMER SHOWN IN ON POSITION TEMPERATURE SELECTOR SWITCH AT HOT WASH/COLD RINSE, AND PRESSURE SWITCH FULL.



THE BAR CHART ABOVE REPRESENTS ONE COMPLETE REVOLUTION OF TIMER SHAFT.

SHADED PORTION OF BAR CHART INDICATES THE PROPORTIONAL TIMES THAT INTERNAL TIMER CONTACTS ARE CLOSED.

- BUZZER
- CIRCUIT "X-H" WILL CLOSE FOR 5 SEC ± 3 SEC 1 TO 2 TIMES IN THIS AREA. WHEN 2 CLOSURES OCCUR THEY WILL BE 5 MIN. APART.
 - CIRCUIT "X-H" WILL CLOSE FOR 5 SEC ± 3 SEC 5 TO 7 TIMES IN THIS AREA. THE CLOSURES WILL BE 5 MINUTES APART.

FABRIC SELECTOR SWITCH		
POSITION	FUNCTION	RESISTANCE (4-5)
1	HIGH	OPEN CIRCUIT
2	MEDIUM	1.5KΩ ±5%
3	MEDIUM/LOW	7500 ±5%
4	LOW	100 MAX