

# MDE/MDG22PD

MAYTAG® COMMERCIAL  
SUPER-CAPACITY DRYER



## LEGENDARY MAYTAG DEPENDABILITY

Maximizing your equipment investment for over a half century.



### FOR YOUR CUSTOMERS:

- Extra-Large 6.7 cu. ft. Capacity
- Easy To Use One-Touch Cycle Selection
- High Air Flow For Better Clothes Care
- Time Remaining Display
- Optional Top Off
- Large Window For Convenience
- ADA Compliant — Without Optional Pedestal

### FOR YOUR OPERATION:

- TurboVent™ Technology — Better Performance On Long Vents
- Advanced Computer Trac® Controls Allow For Easy Programming
- Front Access For Easier Self Service
- Accu Trac® Audit System With Two-Way Data Communication
- Large-Capacity Metal Mesh Lint Filter
- Debit Card Compatibility
- Dual Coin-Drop Option
- Reversible Side Swing Door

### BUILT-TO-LAST™ FEATURES:

- Premium Porcelain-Enamel Top With Backsplash
- Four Roller Suspension With Permanently Lubricated Bearings
- Blower Guard Reduces Service Calls
- High Security Vault
- Best Warranty in the Business — 5 Years All Parts



\* Shown with optional pedestal.

LAUNDRY SOLUTIONS  
YOU CAN *DEPEND ON.*

FASTER DRYING WITH  
TURBOVENT™ TECHNOLOGY

visit [maytagcommerciallaundry.com](http://maytagcommerciallaundry.com)



## OUR COMMITMENT TO DEPENDABLE QUALITY

At Maytag, we believe durable goods should remain just that. That's why every Maytag® product is constructed of the highest-quality materials and with the utmost in precision craftsmanship. It's also why we stand behind our equipment with solid service and support from our professional Maytag laundry suppliers. Simply put, when you choose Maytag® products, you ensure your peace of mind.



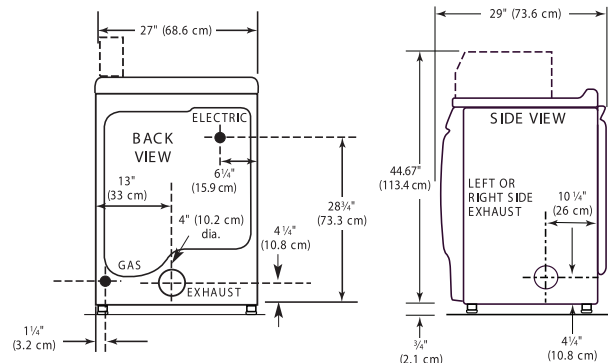
## MDE/MDG22PD MAYTAG® COMMERCIAL SUPER-CAPACITY DRYER

### Maytag® Super-Capacity Dryer

#### MICROPROCESSOR COIN DROP

DRYER SPECIFICATIONS	
MODEL	MDE/MDG22PD
<b>MOTOR</b>	
Single-phase, thermoprotected against overload, auto-reset	•
HP (kw)	1/2 (.25)
<b>CAPACITY</b>	
Cu. ft. (liters)	6.7 (189.7)
<b>DOOR OPENING DIAMETER</b>	
In. (mm)	18.25 (463.5)
<b>AIRFLOW</b>	
Gas models — cfm (cmm)	230 (6.5)
Electric models — cfm (cmm)	215 (6.1)
<b>ELECTRICAL REQUIREMENTS</b>	
MDE model — voltage	240V/60Hz
MDG model — voltage	120V/60Hz
Export models — voltage	220-240V/50Hz
<b>BREAKER/FUSE REQUIREMENTS</b>	
MDE model — amps	30
MDG model — amps	15
MDE export model — amps	20
MDG export model — amps	10
<b>ELECTRIC HEATING ELEMENT</b>	
Domestic models — watts	5,600
Export models — watts	4,600
Canadian models — watts	5,250
<b>EXHAUST DUCT DIAMETER</b>	
In. (mm)	4 (101.6)
<b>ELECTRONIC BURNER IGNITION</b>	
MDG model	•
<b>GAS RATING</b>	
MDG model — BTU/hr. (kcal/hr.)	24,000 (6,048)
<b>GAS INLET</b>	
MDG model — in.	3/8 N.P.T.
<b>ADJUSTABLE LEVELING LEGS</b>	
	•
<b>APPROXIMATE WEIGHT</b>	
Crated — lbs. (kg) electric/gas	165 (74.8)/172 (78)
Uncrated — lbs. (kg) electric/gas	152 (68.9)/159 (72)
<b>DIMENSIONS</b>	
Width — in. (mm)	27 (685.8)
Depth — in. (mm)	29 (736.6)
Height — in. (mm)	44.67 (1134.52)*

\* Includes height of metercase.  
See specific instructions for proper installation. Because of continuous product improvement, Maytag reserves the right to change specifications without notice.



#### MAXIMUM EXHAUST DUCT LENGTH PER NUMBER OF TURNS

Number Of 90° Turns	Rigid Metal Vent	
	Box Hood and Louvered Style	Angled Hood Style
0	135 ft. (41.2 m)	129 ft. (39.3 m)
1	125 ft. (38.1 m)	119 ft. (36.3 m)
2	115 ft. (35.1 m)	109 ft. (33.2 m)
3	106 ft. (32.3 m)	100 ft. (30.5 m)
4	98 ft. (29.9 m)	92 ft. (28.0 m)

Number Of 90° Turns	Flexible Metal Vent	
	Box Hood and Louvered Style	Angled Hood Style
0	76 ft. (23.2 m)	62 ft. (18.9 m)
1	71 ft. (21.6 m)	57 ft. (17.4 m)
2	67 ft. (20.4 m)	53 ft. (16.2 m)
3	65 ft. (19.8 m)	51 ft. (15.6 m)
4	63 ft. (19.2 m)	49 ft. (14.9 m)



### THE BEST WARRANTY IN THE BUSINESS— 5 YEARS ON ALL PARTS

For a period from the date of original purchase through the time listed above, the designated parts that fail in normal commercial use will be repaired or replaced free of charge for the part itself, with the owner paying all other costs, including labor, transportation and customs duty. Chemical damage is excluded from all warranty coverage.  
See complete warranty for details.