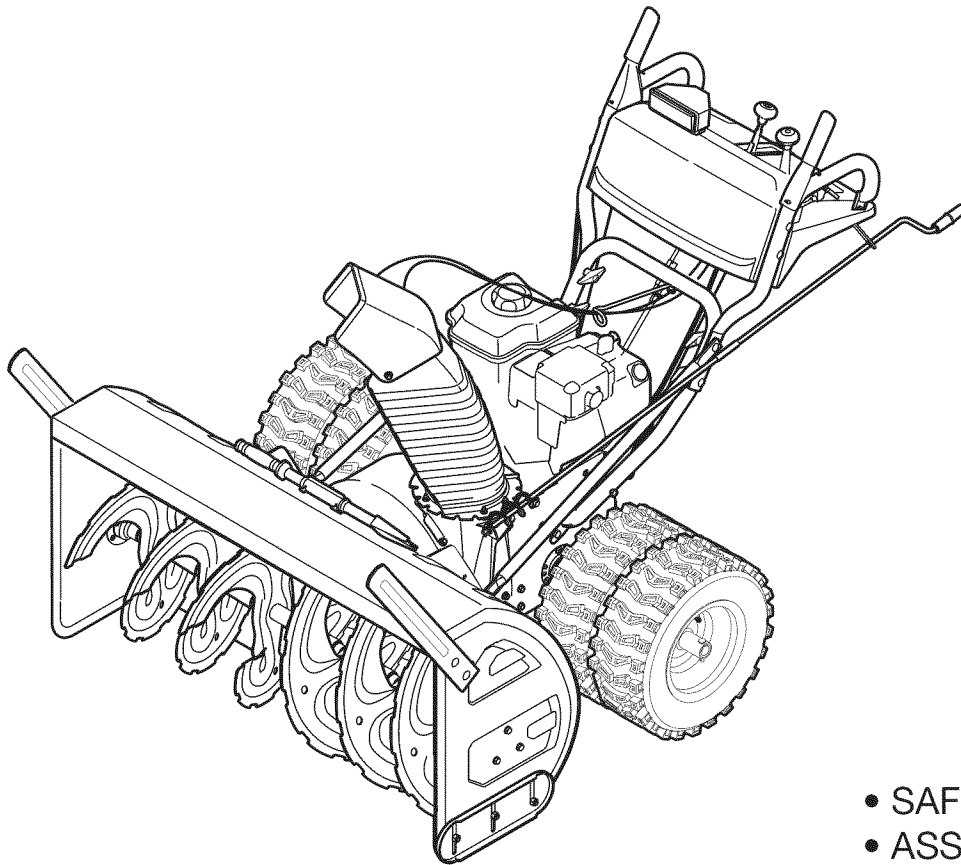


Operator's Manual



45" SNOW THROWER

Model No. 247.88845



CAUTION: Before using this product, read this manual and follow all safety rules and operating instructions.

- SAFETY
- ASSEMBLY
- OPERATION
- MAINTENANCE
- PARTS LIST
- ESPAÑOL

Sears, Roebuck and Co., Hoffman Estates, IL 60179, U.S.A.

Visit our website: www.craftsman.com

FORM NO. 769-04062A

2/4/2009

TABLE OF CONTENTS

Warranty Statement..... Page 2	Off-Season Storage..... Page 24
Safe Operation Practices..... Pages 3-6	Troubleshooting Page 25
Safety Labels Page 7	Parts List..... Page 26-41
Assembly Pages 8-11	Repair Protection Agreement Page 47
Operation Pages 12-15	Español Page 48
Service and Maintenance..... Pages 16-23	Service Numbers Back Cover

WARRANTY STATEMENT

CRAFTSMAN PROFESSIONAL LIMITED WARRANTY

Two Years on Snow Thrower

When operated and maintained according to all supplied instructions, if this snow thrower fails due to a defect in material or workmanship within two years from the date of purchase, call 1-800-4-MY-HOME® to arrange for free repair.

This warranty applies for only one year from the date of purchase if this snow thrower is ever used for commercial or rental purposes.

During the first year of purchase, there will be no charge for warranty service in your home. For your convenience, in-home warranty service will still be available after the first year of purchase, but a trip charge will apply. This charge will be waived if you transport the snow thrower to an authorized Craftsman drop-off location. For the nearest authorized location, call 1-800-4-MY-HOME®.

This warranty covers ONLY defects in material and workmanship. Sears will NOT pay for:

- Expendable items that become worn during normal use, including but not limited to skid shoes, shave plate, shear pins, spark plug, air cleaner, belts, and oil filter.
- Standard maintenance servicing, oil changes, or tune-ups.
- Tire replacement or repair caused by punctures from outside objects, such as nails, thorns, stumps, or glass.
- Tire or wheel replacement or repair resulting from normal wear, accident, or improper operation or maintenance.
- Repairs necessary because of operator abuse, including but not limited to damage caused by impacting objects that bend the frame or crankshaft, or over-speeding the engine.
- Repairs necessary because of operator negligence, including but not limited to, electrical and mechanical damage caused by improper storage, failure to use the proper grade and amount of engine oil, or failure to maintain the equipment according to the instructions contained in the operator's manual.
- Engine (fuel system) cleaning or repairs caused by fuel determined to be contaminated or oxidized (stale). In general, fuel should be used within 30 days of its purchase date.
- Normal deterioration and wear of the exterior finishes, or product label replacement.

This warranty applies only while this product is within the United States.

This warranty gives you specific legal rights, and you may also have other rights which vary from state to state.

Sears, Roebuck and Co., Hoffman Estates, IL 60179

PRODUCT SPECIFICATIONS

Engine Oil Type:	SAE 5W-30
Engine Oil Capacity:	28 ounces
Fuel Capacity:	4 Quarts
Spark Plug:	Champion® RC12YC
Spark Plug Gap:	.030"

MODEL NUMBER

Model Number
Serial Number
Date of Purchase

Record the model number, serial number
and date of purchase above

SAFETY INSTRUCTIONS

WARNING

This symbol points out important safety instructions which, if not followed, could endanger the personal safety and/or property of yourself and others. Read and follow all instructions in this manual before attempting to operate this machine. Failure to comply with these instructions may result in personal injury. When you see this symbol, HEED ITS WARNING!

WARNING

CALIFORNIA PROPOSITION 65

Engine Exhaust, some of its constituents, and certain vehicle components contain or emit chemicals known to State of California to cause cancer and birth defects or other reproductive harm.

DANGER

This machine was built to be operated according to the safe operation practices in this manual. As with any type of power equipment, carelessness or error on the part of the operator can result in serious injury. This machine is capable of amputating fingers, hands, toes and feet and throwing debris. Failure to observe the following safety instructions could result in serious injury or death.

WARNING

Your Responsibility—Restrict the use of this power machine to persons who read, understand and follow the warnings and instructions in this manual and on the machine.

SAVE THESE INSTRUCTIONS!

TRAINING

- Read, understand, and follow all instructions on the machine and in the manual(s) before attempting to assemble and operate. Failure to do so can result in serious injury to the operator and/or bystanders. Keep this manual in a safe place for future and regular reference and for ordering replacement parts. For questions call, 1-800-659-5917.
- Be familiar with all controls and their proper operation. Know how to stop the machine and disengage them quickly.
- Never allow children under 14 years of age to operate this machine. Children 14 and over should read and understand the instructions and safe operation practices in this manual and on the machine and be trained and supervised by an adult.
- Never allow adults to operate this machine without proper instruction.
- Thrown objects can cause serious personal injury. Plan your snow-throwing pattern to avoid discharge of material toward roads, bystanders and the like.
- Keep bystanders, pets and children at least 75 feet from the machine while it is in operation. Stop machine if anyone enters the area.
- Exercise caution to avoid slipping or falling, especially when operating in reverse.

PREPARATION

Thoroughly inspect the area where the equipment is to be used. Remove all doormats, newspapers, sleds, boards, wires and other foreign objects, which could be tripped over or thrown by the auger/impeller.

- Always wear safety glasses or eye shields during operation and while performing an adjustment or repair to protect your eyes. Thrown objects which ricochet can cause serious injury to the eyes.
- Do not operate without wearing adequate winter outer garments. Do not wear jewelry, long scarves or other loose clothing, which could become entangled in moving parts. Wear footwear which will improve footing on slippery surfaces.
- Use a grounded three-wire extension cord and receptacle for all machines with electric start engines.
- Disengage all control levers before starting the engine.
- Adjust collector housing height to clear gravel or crushed rock surfaces.
- Never attempt to make any adjustments while engine is running, except where specifically recommended in the operator's manual.
- Let engine and machine adjust to outdoor temperature before starting to clear snow.

SAFETY INSTRUCTIONS

Safe Handling of Gasoline

To avoid personal injury or property damage use extreme care in handling gasoline. Gasoline is extremely flammable and the vapors are explosive. Serious personal injury can occur when gasoline is spilled on yourself or your clothes which can ignite. Wash your skin and change clothes immediately.

- Use only an approved gasoline container.
- Extinguish all cigarettes, cigars, pipes and other sources of ignition.
- Never fuel machine indoors.
- Never remove gas cap or add fuel while the engine is hot or running.
- Allow engine to cool at least two minutes before refueling.
- Never over fill fuel tank. Fill tank to no more than ½ inch below bottom of filler neck to provide space for fuel expansion.
- Replace gasoline cap and tighten securely.
- If gasoline is spilled, wipe it off the engine and equipment. Move machine to another area. Wait 5 minutes before starting the engine.
- Never store the machine or fuel container inside where there is an open flame, spark or pilot light (e.g. furnace, water heater, space heater, clothes dryer etc.).
- Allow machine to cool at least 5 minutes before storing.
- Never fill containers inside a vehicle or on a truck or trailer bed with a plastic liner. Always place containers on the ground away from your vehicle before filling.
- If possible, remove gas-powered equipment from the truck or trailer and refuel it on the ground. If this is not possible, then refuel such equipment on a trailer with a portable container, rather than from a gasoline dispenser nozzle.
- Keep the nozzle in contact with the rim of the fuel tank or container opening at all times until fueling is complete. Do not use a nozzle lock-open device.

OPERATION

- Do not put hands or feet near rotating parts, in the auger/impeller housing or chute assembly. Contact with the rotating parts can amputate hands and feet.
- The auger/impeller control lever is a safety device. Never bypass its operation. Doing so makes the machine unsafe and may cause personal injury.
- The control levers must operate easily in both directions and automatically return to the disengaged position when released.
- Never operate with a missing or damaged chute assembly. Keep all safety devices in place and working.
- Never run an engine indoors or in a poorly ventilated area. Engine exhaust contains carbon monoxide, an odorless and deadly gas.
- Do not operate machine while under the influence of alcohol or drugs.
- Muffler and engine become hot and can cause a burn. Do not touch. Keep children away.

- Exercise extreme caution when operating on or crossing gravel surfaces. Stay alert for hidden hazards or traffic.
- Exercise caution when changing direction and while operating on slopes.
- Plan your snow-throwing pattern to avoid discharge towards windows, walls, cars etc. Thus, avoiding possible property damage or personal injury caused by a ricochet.
- Never direct discharge at children, bystanders and pets or allow anyone in front of the machine.
- Do not overload machine capacity by attempting to clear snow at too fast of a rate.
- Never operate this machine without good visibility or light. Always be sure of your footing and keep a firm hold on the handles. Walk, never run.
- Disengage power to the auger/impeller when transporting or not in use.
- Never operate machine at high transport speeds on slippery surfaces. Look down and behind and use care when backing up.
- If the machine should start to vibrate abnormally, stop the engine, disconnect the spark plug wire and ground it against the engine. Inspect thoroughly for damage. Repair any damage before starting and operating.
- Disengage all control levers and stop engine before you leave the operating position (behind the handles). Wait until the auger/impeller comes to a complete stop before unclogging the chute assembly, making any adjustments, or inspections.
- Never put your hand in the discharge or collector openings. Do not unclog chute assembly while engine is running. Shut off engine and remain behind handles until all moving parts have stopped before unclogging.
- Use only attachments and accessories approved by the manufacturer (e.g. wheel weights, tire chains, cabs etc.).
- When starting engine, pull cord slowly until resistance is felt, then pull rapidly. Rapid retraction of starter cord (kickback) will pull hand and arm toward engine faster than you can let go. Broken bones, fractures, bruises or sprains could result.
- If situations occur which are not covered in this manual, use care and good judgment. Contact Customer Support for assistance and the name of your nearest servicing dealer.

CLEARING A CLOGGED DISCHARGE CHUTE

Hand contact with the rotating impeller inside the discharge chute is the most common cause of injury associated with snow throwers. Never use your hand to clean out the discharge chute.

To clear the chute:

1. SHUT THE ENGINE OFF!
2. Wait 10 seconds to be sure the impeller blades have stopped rotating.
3. Always use a clean-out tool, not your hands.

SAFETY INSTRUCTIONS

MAINTENANCE & STORAGE

- Never tamper with safety devices. Check their proper operation regularly. Refer to the maintenance and adjustment sections of this manual.
- Before cleaning, repairing, or inspecting machine disengage all control levers and stop the engine. Wait until the auger/impeller come to a complete stop. Disconnect the spark plug wire and ground against the engine to prevent unintended starting.
- Check bolts and screws for proper tightness at frequent intervals to keep the machine in safe working condition. Also, visually inspect machine for any damage.
- Do not change the engine governor setting or over-speed the engine. The governor controls the maximum safe operating speed of the engine.
- Snow thrower shave plates and skid shoes are subject to wear and damage. For your safety protection, frequently check all components and replace with original equipment manufacturer's (OEM) parts only. "Use of parts which do not meet the original equipment specifications may lead to improper performance and compromise safety!"
- Check control levers periodically to verify they engage and disengage properly and adjust, if necessary. Refer to the adjustment section in this operator's manual for instructions.
- Maintain or replace safety and instruction labels, as necessary.
- Observe proper disposal laws and regulations for gas, oil, etc. to protect the environment.
- Prior to storing, run machine a few minutes to clear snow from machine and prevent freeze up of auger/impeller.
- Never store the machine or fuel container inside where there is an open flame, spark or pilot light such as a water heater, furnace, clothes dryer etc.
- Always refer to the operator's manual for proper instructions on off-season storage.
- Check fuel line, tank, cap, and fittings frequently for cracks or leaks. Replace if necessary.
- Do not crank engine with spark plug removed.
- According to the Consumer Products Safety Commission (CPSC) and the U.S. Environmental Protection Agency (EPA), this product has an *Average Useful Life* of seven (7) years, or 60 hours of operation. At the end of the *Average Useful Life* have the machine inspected annually by an authorized service dealer to ensure that all mechanical and safety systems are working properly and not worn excessively. Failure to do so can result in accidents, injuries or death.

DO NOT MODIFY ENGINE

To avoid serious injury or death, do not modify engine in any way. Tampering with the governor setting can lead to a runaway engine and cause it to operate at unsafe speeds. Never tamper with factory setting of engine governor.

NOTICE REGARDING EMISSIONS

Engines which are certified to comply with California and federal EPA emission regulations for SORE (Small Off Road Equipment) are certified to operate on regular unleaded gasoline, and may include the following emission control systems: Engine Modification (EM), Oxidizing Catalyst (OC), Secondary Air Injection (SAI) and Three Way Catalyst (TWC) if so equipped.

SPARK ARRESTOR

WARNING

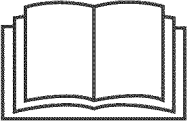







This machine is equipped with an internal combustion engine and should not be used on or near any unimproved forest-covered, brush-covered or grass-covered land unless the engine's exhaust system is equipped with a spark arrester meeting applicable local or state laws (if any)

If a spark arrester is used, it should be maintained in effective working order by the operator. In the State of California the above is required by law (Section 4442 of the California Public Resources Code). Other states may have similar laws. Federal laws apply on federal lands. A spark arrester for the muffler is available through your nearest Sears Parts and Repair Service Center.

SAFETY INSTRUCTIONS

SAFETY SYMBOLS


This page depicts and describes safety symbols that may appear on this product. Read, understand, and follow all instructions on the machine before attempting to assemble and operate.

Symbol	Description
	READ THE OPERATOR'S MANUAL(S) Read, understand, and follow all instructions in the manual(s) before attempting to assemble and operate
	WARNING— ROTATING BLADES Keep hands out of inlet and discharge openings while machine is running. There are rotating blades inside
	WARNING— ROTATING BLADES Keep hands out of inlet and discharge openings while machine is running. There are rotating blades inside
	WARNING— ROTATING AUGER Do not put hands or feet near rotating parts, in the auger/impeller housing or chute assembly. Contact with the rotating parts can amputate hands and feet.
	WARNING—THROWN OBJECTS This machine may pick up and throw and objects which can cause serious personal injury.
	WARNING—GASOLINE IS FLAMMABLE Allow the engine to cool at least two minutes before refueling.
	WARNING— CARBON MONOXIDE Never run an engine indoors or in a poorly ventilated area. Engine exhaust contains carbon monoxide, an odorless and deadly gas.
	WARNING— ELECTRICAL SHOCK Do not use the engine's electric starter in the rain

SAFETY LABELS

⚠ DANGER

1. KEEP AWAY FROM ROTATING IMPELLER AND AUGER. CONTACT WITH IMPELLER OR AUGER CAN AMPUTATE HANDS AND FEET.
2. USE CLEAN-OUT TOOL TO UNCLOG DISCHARGE CHUTE.
3. DISENGAGE CLUTCH LEVERS, STOP ENGINE, AND REMAIN BEHIND HANDLES UNTIL ALL MOVING PARTS HAVE STOPPED BEFORE UNCLOGGING OR SERVICING MACHINE.
4. TO AVOID THROWN OBJECTS INJURIES, NEVER DIRECT DISCHARGE AT BYSTANDERS. USE EXTRA CAUTION WHEN OPERATING ON GRAVEL SURFACES.
5. READ OPERATOR'S MANUAL.

CLEAN-OUT TOOL 

⚠ DANGER



AVOID INJURY FROM ROTATING AUGER - KEEP HANDS, FEET AND CLOTHING AWAY.

⚠ DANGER



- NEVER PUT HAND IN CHUTE. CONTACT WITH ROTATING PARTS CAN AMPUTATE FINGERS AND HANDS.
- SHUT OFF ENGINE AND WAIT UNTIL ALL MOVING PARTS HAVE STOPPED BEFORE UNCLOGGING.
- USE CLEAN-OUT TOOL OR WOODEN STICK TO UNCLOG DISCHARGE CHUTE.

ASSEMBLY

NOTE: References to right or left side of the snow thrower are determined from behind the unit in the operating position (standing directly behind the snow thrower, facing the handle panel).

REMOVING FROM CRATE

1. Remove screws from the bottom of the crate securing the sides, and ends of the shipping crate.
2. Lift off the top off of the crate and set out of the way of the assembly area.
3. Remove and discard plastic bag that covers unit.
4. Remove any loose parts included with unit (e.g., Operator's Manual, etc.).
5. Push down on the lower handle and pull unit back out of crate.
6. Make certain the crate has been completely emptied before discarding it.

ASSEMBLY

1. Make certain the springs at the lower end of the auger and drive cables are securely hooked into their respective actuator bracket before pivoting the handle upward. Refer to Fig. 1.
 - a. Place the shift lever in the F6 position.
 - b. Remove the lower wing knob and carriage bolt from each side of the upper handle. Pull up on upper handle as shown in Fig. 1. Align upper handle with the lower handle. Again, make certain the springs at the lower end of the auger and drive cables are securely hooked into their respective actuator bracket. Also, remove any rubber bands securing the cables to the wing nuts.
2.
 - a. Secure the upper handle and lower handle with the two wing knobs and carriage bolts removed earlier.
 - b. Tighten the two wing knobs already installed in the upper holes to firmly secure the upper handle and support tubes.
3. Align the upper and lower shift rods, then slide the shift rod connector down over the end of the lower shift rod. Tap the connector until the lower rod is completely through the connector. See Fig. 2.

NOTE: If the connector is not properly assembled, the shift rod will pivot and you will not be able to properly change speeds or direction.

NOTE: If the full range of speeds (forward and reverse) can not be achieved, refer to the "Making Adjustments" section.

4.
 - a. Cut the cable tie securing the chute assembly to the lower chute crank rod for shipping purposes.
 - b. Remove the internal cotter pin from the upper chute crank. Slide the upper chute crank into the sleeve on the lower chute crank. See Fig. 3.
 - c. Align the hole in the upper chute crank with the hole in the sleeve (If necessary, use a pair of pliers to assist in aligning holes). Insert the internal cotter pin through the holes to secure the chute crank. See Fig. 3.
5. Remove lock nuts and screws securing one of the flange keepers to the chute assembly.

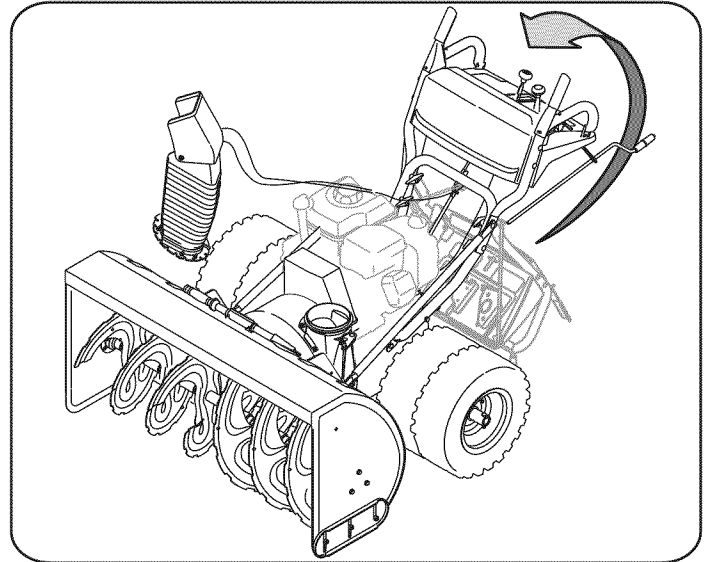


Figure 1

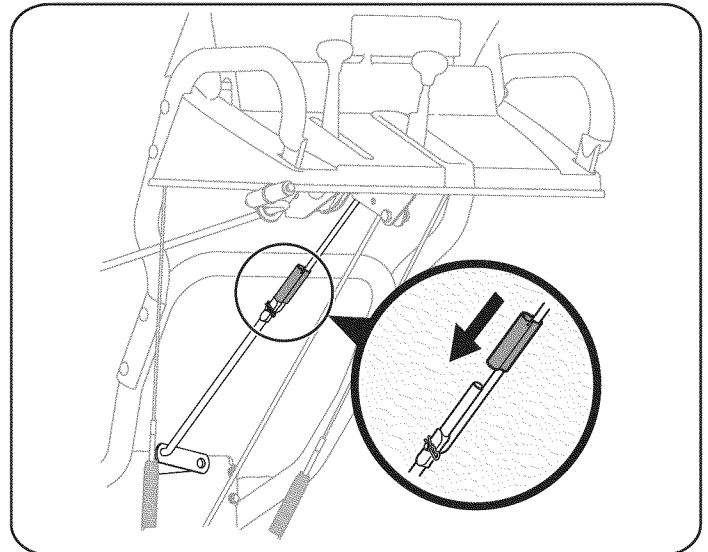


Figure 2

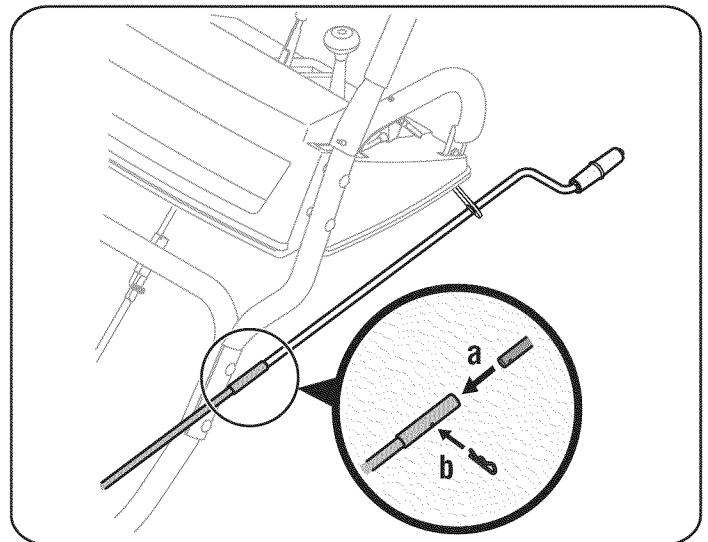


Figure 3

ASSEMBLY

- Place chute assembly onto chute base as shown in Fig. 4, making sure that the notches engage with the spiral end of chute directional control.
- Secure flange keeper removed earlier with lock nuts and screws. Tighten down nuts securing the other two flange keepers. See Fig. 5.
- If not already done, slip the cables that run from the handle panel to the discharge chute into the cable guide extending over the top of the engine. See Fig. 4.
- Normally the cable ties holding the steering cables against the handle are loosely installed on each side of the lower handle at the factory. Pull the cable ties tight to secure. Cut the excess from the ends of cable ties.

The extension cord is fastened with a cable tie to the rear of the auger housing for shipping purposes. Cut the cable tie and remove it before operating the snow thrower.

SET-UP

Chute Clean-Out Tool

A **chute clean-out tool** is fastened to the top of the auger housing with a mounting clip. See Fig. 6. The tool is designed to clear a chute assembly of ice and snow. This item, along with the extension cord, is fastened with a cable tie at the factory, which you were instructed to cut in the previous section.

Drift Cutters

- Remove the two screws and lock nuts that secure each drift cutter, and remove them from the sides of the auger housing.

⚠ WARNING

Never use your hands to clear a clogged chute assembly. Shut off engine and remain behind handles until all moving parts have stopped before using the clean-out tool to clear the chute assembly.

- Turn the drift cutters around and position them as shown in Fig. 7 to the outside of the auger housing.
- Attach the drift cutters with the screws and lock nuts removed earlier.

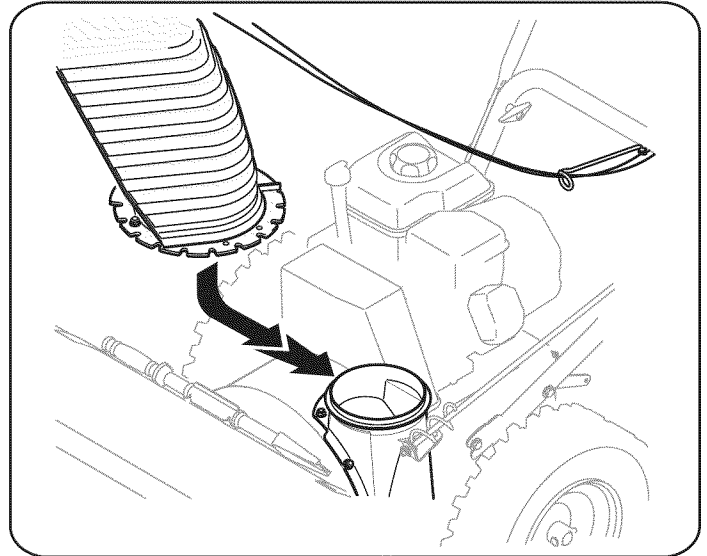


Figure 4

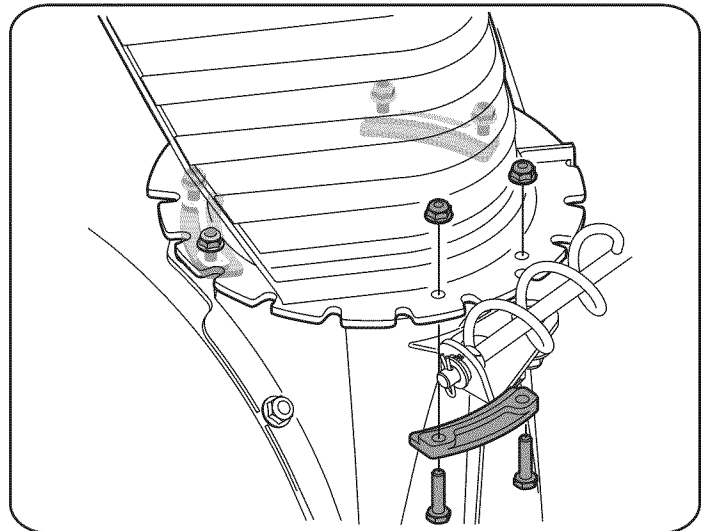


Figure 5

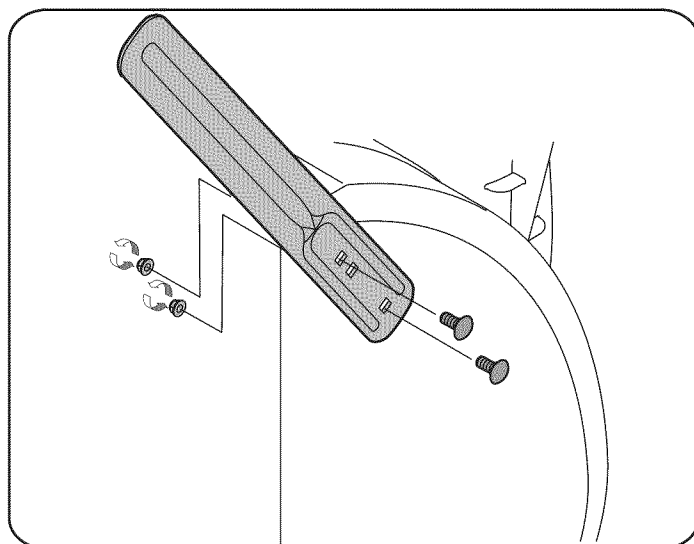


Figure 7

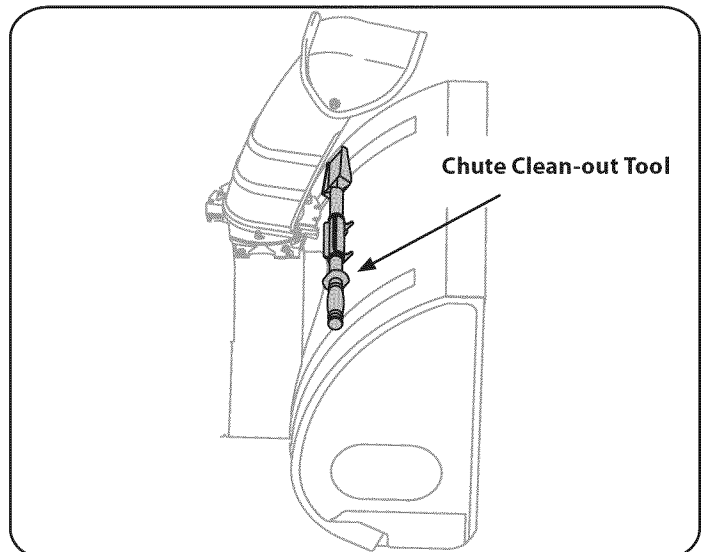


Figure 6

ASSEMBLY

Tire Pressure

Before operating, check tire pressure. Refer to the tire sidewall for exact tire manufacturer's recommended or maximum psi.

NOTE: If the tire pressure is not equal in both tires, the unit may not travel in a straight path and the shave plate may wear unevenly.

ADJUSTMENTS

Skid Shoes

The snow thrower skid shoes are adjusted upward at the factory for shipping purposes. Adjust them downward, if desired, prior to operating the snow thrower.

- For close snow removal on a smooth surface, raise skid shoes higher on the auger housing.

⚠ CAUTION

It is not recommended that you operate this snow thrower on gravel as it can easily pick up and throw loose gravel, causing personal injury or damage to the snow thrower and surrounding property.

- Use a middle or lower position when the area to be cleared is uneven.

NOTE: If you choose to operate the snow thrower on a gravel surface, keep the skid shoes in position for maximum clearance between the ground and the shave plate.

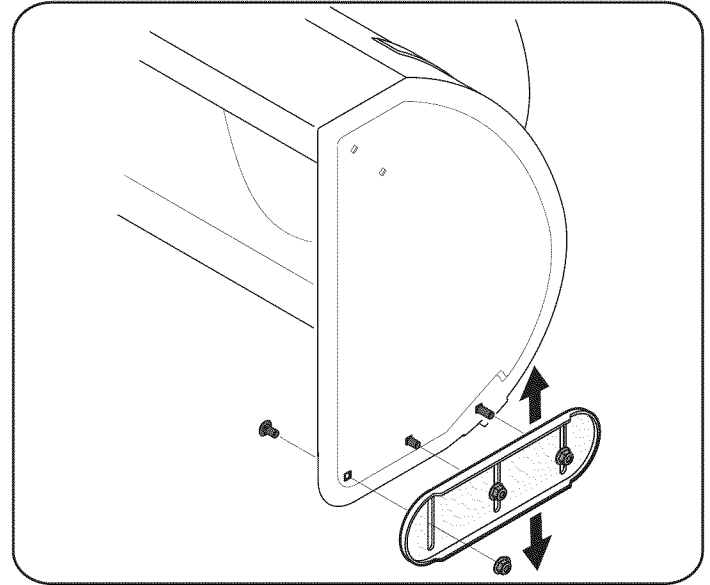


Figure 8

To adjust the skid shoes:

1. Loosen the six hex nuts (three on each side) and carriage bolts. Move skid shoes to desired position. See Fig. 8.
2. Make certain the entire bottom surface of skid shoe is against the ground to avoid uneven wear on the skid shoes.
3. Retighten nuts and bolts securely.

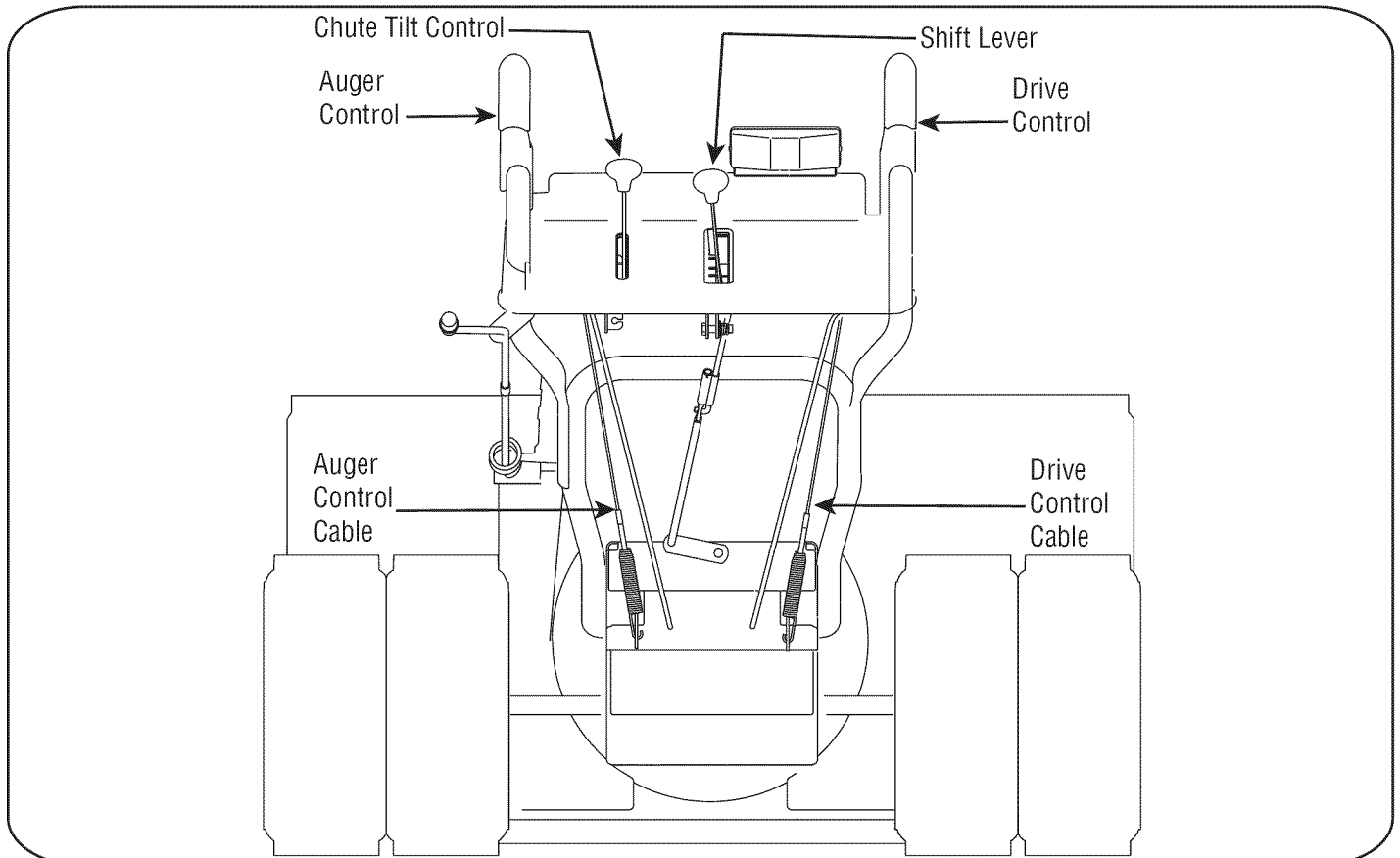


Figure 9

ASSEMBLY

Testing Auger Drive Control

When the auger control is released and in the disengaged “up” position, the cable should have very little slack, but should NOT be tight. Refer to Fig. 9 for location of controls.

⚠ WARNING

Prior to operating your snow thrower, carefully read and follow all instructions below. Perform all adjustments to verify your snow thrower is operating safely and properly.

1. In a well-ventilated area, start the snow thrower engine as instructed in the Operation section.
2. While standing in the operator’s position (behind the snow thrower), engage the auger control and allow the auger to remain engaged for approximately ten seconds before releasing the auger control. Repeat this several times.
3. With the engine running and the auger control in the disengaged “up” position, walk to the front of the machine. Confirm that the auger has completely stopped rotating and shows no signs of motion.
4. If the auger shows any signs of rotating, immediately return to the operator’s position and shut off the engine. Wait for all moving parts to stop before readjusting the auger control cable.

Testing Wheel Drive Control & Speed Selector Shift Lever

Refer to Fig. 9 for location of controls.

1. Move the shift lever into sixth (6) position.
2. With the wheel drive control released, push the snow thrower forward, then pull it back. The machine should move freely.
3. Engage the drive control and attempt to move the machine both forward and back, resistance should be felt.
4. Move the shift lever into the fast reverse (R2) position and repeat the previous two steps.

If you experienced resistance rolling the unit, either when repositioning the shift lever from 6 to R2 or when attempting to move the machine with the drive control released, adjust the drive control immediately. See Adjusting Drive and Auger Controls.

Adjusting Wheel Drive & Auger Controls

1. From beneath the handle, pull downward on the appropriate cable and unhook the spring found on the end of the cable from its respective actuator bracket. Refer to Fig. 9 and 10.
2. Slide the spring up the cable to expose the cable coupler threads and lock nut. Refer to Fig. 11.
3. If adjusting the drive cable, thread the lock nut outward (down the coupler towards the end of the thread) to lengthen the cable and allow the unit to move freely when the control is released. Thread the lock nut inward (up the coupler towards the cable) to shorten the cable to reduce slippage and prevent the machine from being easily moved with the drive control engaged.

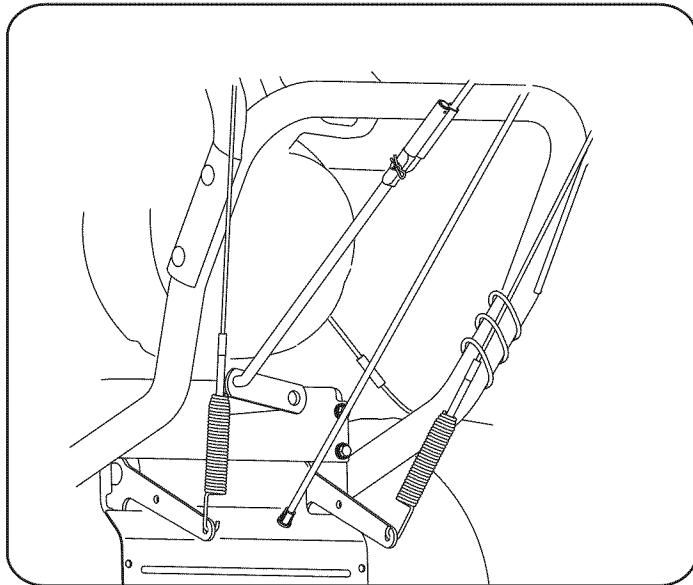


Figure 10

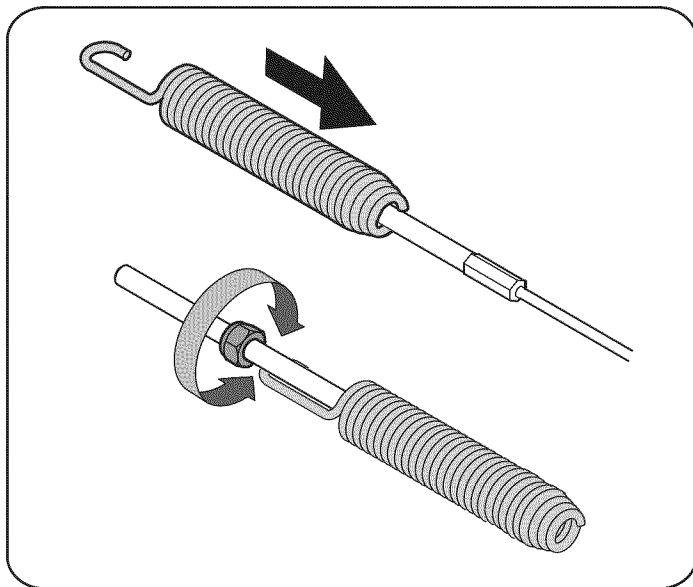


Figure 11

⚠ WARNING

Do not over-tighten the cable. Over-tightening may prevent the auger from disengaging and compromise the safety of the snow thrower.

4. If adjusting the auger cable, thread the lock nut down the coupler towards the end of the thread to lengthen the cable as necessary to stop the auger from turning when the control is released.
5. Reattach the spring to the rearmost hole in the actuator bracket.
6. Repeat the wheel drive and auger control tests to verify proper adjustment. Repeat previous steps if necessary to attain proper adjustment of each cable.

OPERATION

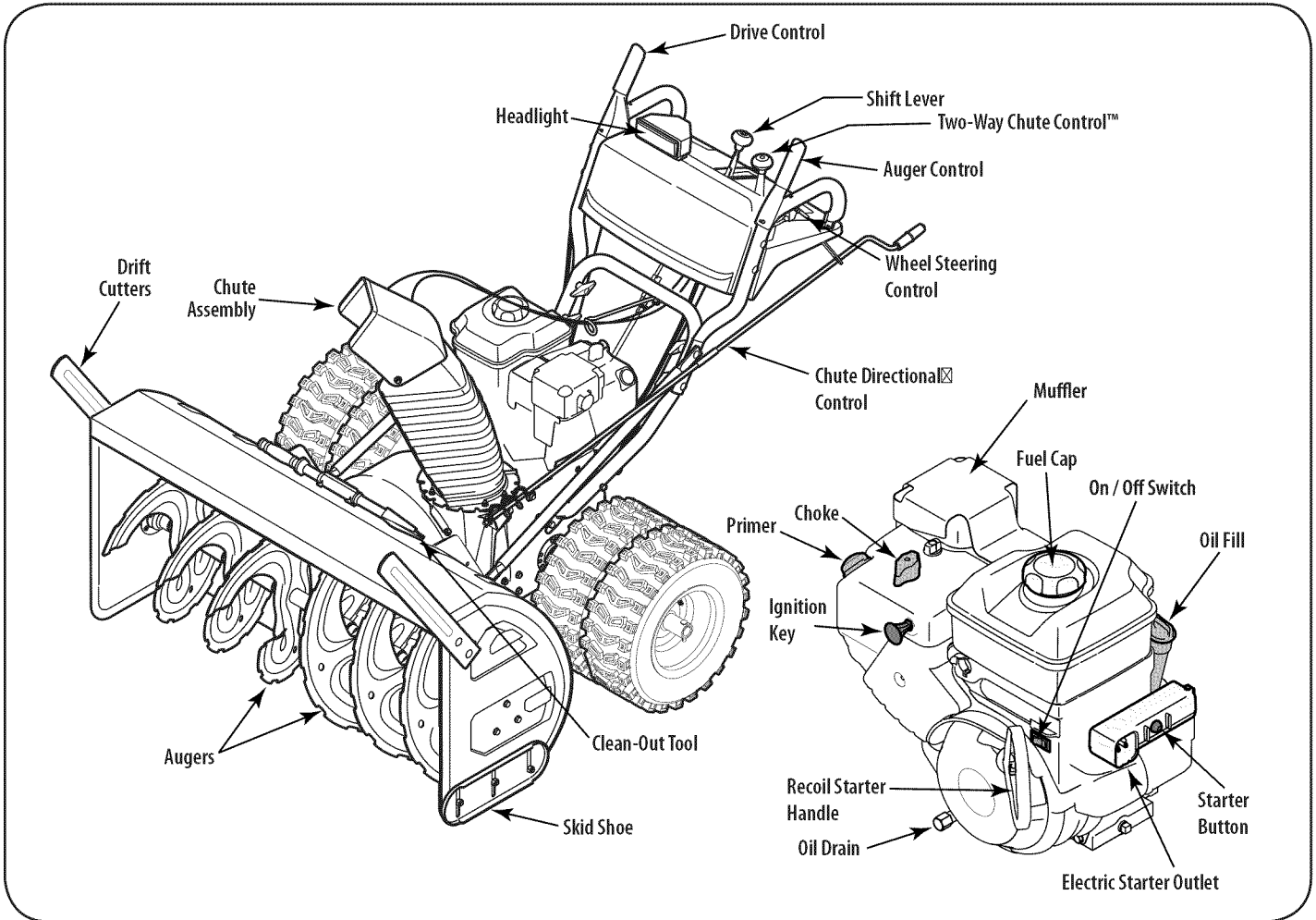


Figure 11

Now that you have setup your snow thrower, it's important to become acquainted with its controls and features. Refer to Figure 11.

NOTE: Do not turn the ignition key in an attempt to start the engine. Doing so may cause it to break.

SPEED SELECTOR SHIFT LEVER

The shift lever is located on the right side of the handle panel. Place the shift lever into any of eight positions to control the direction of travel and ground speed.

Forward

Your snow thrower has six forward (F) speeds. Position one (1) is the slowest and position six (6) is the fastest.

Reverse

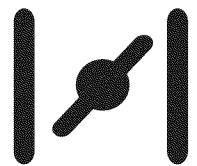
Your snow thrower has two reverse (R) speeds. One (1) is the slower and two (2) is the faster.

IGNITION KEY

The ignition key is a safety device. It must be fully inserted in order for the engine to start. Remove the ignition key when the snow thrower is not in use.

6 CHOKE CONTROL

5 The choke control is found on the rear of the engine and is activated by rotating the knob clockwise. Activating the choke control closes the choke plate on the carburetor and aids in starting the engine.



↑ 2 F 1 PRIMER

R 1 Depressing the primer forces fuel directly into the engine's carburetor to aid in cold-weather starting.

R 2 OIL FILL

Engine oil level can be checked and oil added through the oil fill.

Meets ANSI Safety Standards

Craftsman Snow Throwers conform to the safety standard of the American National Standards Institute (ANSI).

OPERATION

ON / OFF SWITCH

Press into the ON position when starting the engine and will shut off the engine when moved into the OFF position.

RECOIL STARTER HANDLE

This handle is used to manually start the engine.

ELECTRIC STARTER BUTTON

Pressing the electric starter button engages the engine's electric starter when plugged into a 120V power source.

ELECTRIC STARTER OUTLET

Requires the use of a three-prong outdoor extension cord (included) and a 120V power source/wall outlet.

AUGERS

When engaged, the augers rotate and draw snow into the auger housing.

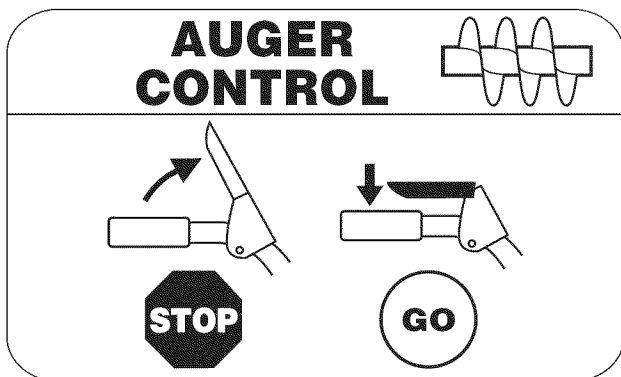
CHUTE ASSEMBLY

Snow drawn into the auger housing is discharged out the chute assembly.

GAS CAP

Unthread the gas cap to add gasoline to the fuel tank.

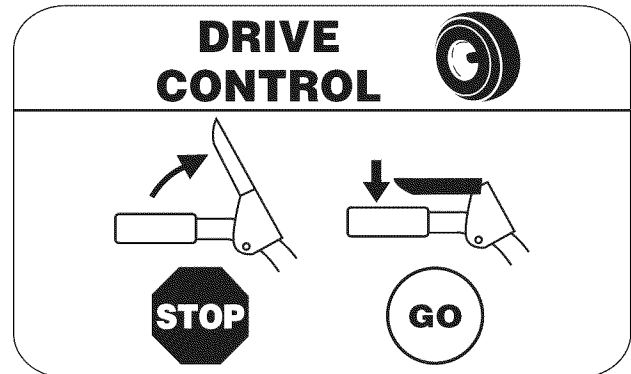
AUGER CONTROL



The auger control is located on the left handle. Squeeze the control grip against the handle to engage the augers and start snow throwing action. Release to stop.

WHEEL DRIVE CONTROL /AUGER CONTROL LOCK

The wheel drive control is located on the right handle. Squeeze the control grip against the handle to engage the wheel drive. Release to stop. The Wheel drive control also locks the auger control so you can operate the chute directional control without interrupting the snow throwing process. If the auger control is engaged simultaneously with the wheel drive control, the operator can release the auger control (on the left handle) and the augers will remain engaged. Release both controls to stop the augers and wheel drive.



NOTE: Always release the wheel drive control before changing speeds. Failure to do so will result in increased wear on your machine's drive system.

TWO-WAY CHUTE CONTROL™

The distance snow is thrown can be changed by adjusting the angle of the chute assembly. Move the chute control forward to decrease the distance, toward the rear to increase.

CHUTE DIRECTIONAL CONTROL

The chute directional control is located on the left side of the snow thrower.

- To change the direction in which snow is thrown, crank clockwise to discharge to the left and counterclockwise to discharge to the right.

SKID SHOES

Position the skid shoes based on surface conditions. Adjust upward for hard-packed snow. Adjust downward when operating on gravel or crushed rock surfaces.

WHEEL STEERING CONTROLS

The left and right wheel steering controls are located on the underside of the handles. Squeeze the right control to turn right; squeeze the left control to turn left.

NOTE: Operate the snow thrower in open areas until you are familiar with these controls.

HEADLIGHT

The headlight is located on top of the handle panel. It may be adjusted by loosening the screws on each side of the light housing, pivoting the light up or down, and retightening the screws.

DRIFT CUTTERS

The drift cutters are designed for use in deep snow. Their use is optional for normal snow conditions.

CLEAN-OUT TOOL

The chute clean-out tool is conveniently fastened to the rear of the auger housing with a mounting clip. Should snow and ice become lodged in the chute assembly during operation, proceed as follows to safely clean the chute assembly and chute opening.

OPERATION

CLEAN-OUT TOOL

WARNING

Never use your hands to clear a clogged chute assembly. Shut off engine and remain behind handles until all moving parts have stopped before unlogging.

The chute clean-out tool is conveniently fastened to the rear of the auger housing with a mounting clip. Should snow and ice become lodged in the chute assembly during operation, proceed as follows to safely clean the chute assembly and chute opening:

1. Release both the Auger Control and the Wheel drive control.
2. Stop the engine by removing the ignition key.
3. Remove the clean-out tool from the clip which secures it to the rear of the auger housing.
4. Use the shovel-shaped end of the clean-out tool to dislodge and scoop any snow and ice which has formed in and near the chute assembly.
5. Refasten the clean-out tool to the mounting clip on the rear of the auger housing, reinsert the ignition key and start the snow thrower's engine.
6. While standing in the operator's position (behind the snow thrower), engage the auger control for a few seconds to clear any remaining snow and ice from the chute assembly.

BEFORE STARTING ENGINE

WARNING

Read, understand, and follow all instructions and warnings on the machine and in this manual before operating.

Oil

The unit was shipped with oil in the engine. Check oil level before each operation to ensure adequate oil in the engine. For further instructions, refer to the Service & Maintenance section of this manual.

1. Remove the dipstick from the oil fill.
2. Check and make sure that the level of oil is up to the FULL mark on the dipstick.
3. If the oil level is not up to FULL, pour fresh motor oil (5W-30, with a minimum classification of SF/SG/SH/SJ) slowly through the opening. Replace oil fill dipstick and check oil level again.

Gasoline

- Store gasoline in a clean, approved container and keep the cap in place on the container.
- Make sure that the container from which you pour the gasoline is clean and free from rust or other foreign particles.

WARNING

Use extreme care when handling gasoline. Gasoline is extremely flammable and the vapors are explosive. **Never** fuel the machine indoors or while the engine is hot or running. Extinguish cigarettes, cigars, pipes and other sources of ignition.

NOTE: A plastic dust cap *may* be found inside the fuel fill opening. Remove and discard, if present.

- Always fill the fuel tank outdoors and use a funnel or spout to prevent spilling.
- Fill fuel tank with clean, fresh, unleaded gasoline with a minimum of 85 octane. Fresh fuel prevents gum from forming in the fuel system or on essential carburetor parts. Purchase fuel in a quantity that can be used within 30 days.
- Never fill the fuel tank completely. Fill the tank to within 1-1/2" from the top to provide space for expansion of fuel.
- Make sure to wipe off any spilled fuel before starting the engine.

STARTING THE ENGINE

1. Make certain both the auger control and wheel drive control are in the disengaged (released) position.
2. Insert ignition key into slot. Make sure it snaps into place. Do not attempt to turn the key.

NOTE: The engine cannot start without the key is fully inserted into the ignition switch.


Electric Starter



Determine that your home's wiring is a three-wire grounded system. Ask a licensed electrician if you are not certain.

WARNING

The optional electric starter is equipped with a grounded three-wire power cord and plug, and is designed to operate on 120 volt AC household current. It must be used with a properly grounded three-prong receptacle at all times to avoid the possibility of electric shock. Follow all instructions carefully prior to operating the electric starter.

If you have a grounded three-prong receptacle, proceed as follows:

1. Plug the extension cord into the outlet located on the engine's surface. Plug the other end of extension cord into a three-prong 120-volt, grounded, AC outlet in a well-ventilated area.
2. Rotate choke control to FULL  choke position (for a cold engine start).

NOTE: If the engine is already warm, place choke control in the OFF  position instead of FULL .

3. Depress primer. If it is 15°F or higher push primer two times, if below 15°F, push primer four times.
4. Push rocker switch to ON position.
5. Push starter button to start engine.


CAUTION

To prolong starter life, use short starting cycles (5 seconds maximum, then wait one minute).

6. Once the engine starts, release starter button.
7. Allow the engine to warm up several minutes, adjusting choke toward RUN position. Wait until engine runs smoothly before each choke adjustment.
8. When disconnecting the extension cord, always unplug the end at the three-prong wall outlet before unplugging the opposite end from the snow thrower.

OPERATION

Recoil Starter


1. Rotate choke control to CHOKE  position.
2. Depress primer. If it is 15°F or higher push primer two times, if below 15°F, push primer four times.
3. Push rocker switch to ON position.
4. Grasp the recoil starter handle and slowly pull the rope out. At the point where it becomes slightly harder to pull the rope, slowly allow the rope to recoil.
5. Pull the starter handle with a firm, rapid stroke. Do not release the handle and allow it to snap back. Keep a firm hold on the starter handle and allow it to slowly recoil.
6. Allow the engine to warm up several minutes, adjusting choke toward RUN position. Wait until engine runs smoothly before each choke adjustment.

STOPPING THE ENGINE

Run engine for a few minutes before stopping to help dry off any moisture on the engine.

1. Push the On / Off switch to the OFF position.

CAUTION

Do NOT move the choke control to CHOKE  position to stop the engine. Backfire or engine damage may occur.

2. Remove the ignition key and store in a safe place.
3. Wipe all snow and moisture from the area around the engine as well as the area in and around the wheel drive control and auger control. Also, engage and release both controls several times.

TO ENGAGE WHEEL DRIVE

1. Move shift lever into one of the six forward (F) positions or two reverse (R) positions. Select a speed appropriate for the snow conditions and a pace you're comfortable with.

NOTE: When selecting a Drive Speed, use the slower speeds until you are comfortable and familiar with the operation of the snow thrower.

2. Squeeze the wheel drive control against the handle the snow thrower will move. Release it and drive motion will stop.

NOTE: NEVER reposition the shift lever (change speeds or direction of travel) without first releasing the wheel drive control and bringing the snow thrower to a complete stop. Doing so will result in premature wear to the snow thrower's drive system.

TO ENGAGE AUGERS

1. To engage the augers and start throwing snow, squeeze the auger control against the left handle. Release to stop the augers.

REPLACING SHEAR PINS

The augers are secured to the spiral shaft with two shear pins and cotter pins. If the auger should strike a foreign object or ice jam, the snow thrower is designed so that the shear pins may shear. If the augers will not turn, check to see if the pins have sheared. See Figure 12.

CAUTION

NEVER replace the auger shear pins with anything other than OEM Part No. 738-04155 replacement shear pins. Any damage to the auger gearbox or other components as a result of failing to do so will NOT be covered by your snow thrower's warranty.

WARNING

Always turn off the snow thrower's engine and remove the key prior to replacing shear pins.

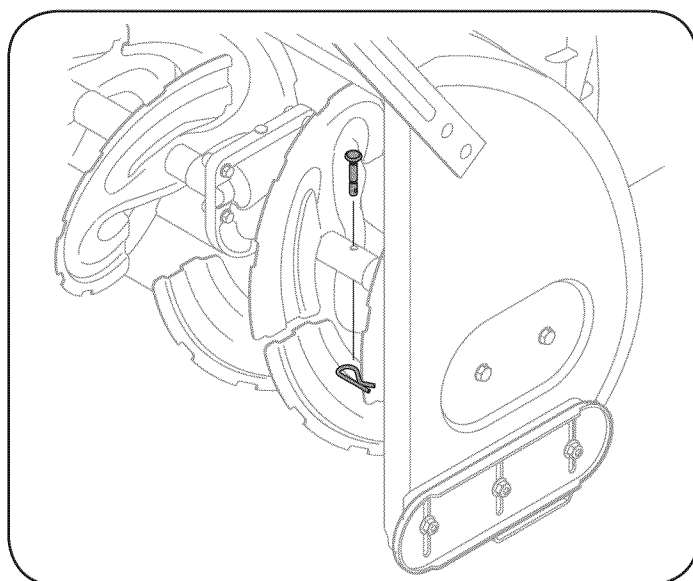


Figure 12

SERVICE AND MAINTENANCE

ENGINE MAINTENANCE

⚠ WARNING

Before lubricating, repairing, or inspecting, disengage all controls and stop engine. Wait until all moving parts have come to a complete stop. Remove the ignition key to prevent unintended firing of the engine.

Checking Engine Oil

1. Be sure engine is upright and level
2. Unscrew oil fill cap from oil filler tube and wipe dipstick clean.
3. Screw oil fill cap back into oil filler tube. Tighten securely.
4. Unscrew and remove oil fill cap from oil filler tube. Note oil level. If oil reading on dipstick is below "ADD" mark, slowly add oil to reach "FULL" level. See Figure 13.
5. Screw oil fill cap back into oil filler tube. Tighten securely.
6. Wipe away any spilled oil.

Changing Engine Oil

To avoid engine damage, it is important to:

- Check oil level before each use and every eight operating hours.
 - Change oil after first 5 to 8 operating hours and every 50 operating hours or once a season thereafter.
1. Place engine level and remove safety key.
 2. With engine OFF but still warm, remove oil drain plug and drain oil into an appropriate receptacle. See Figure 13.

⚠ CAUTION

Used oil is a hazardous waste product. Dispose of used oil properly. Do not discard with household waste. Check with your local authorities or Sears Service Center for safe disposal/recycling facilities.

3. Reinstall oil drain plug and tighten securely.
4. Refill the engine with recommended oil. See Recommended Oil Usage chart. The engine's oil capacity is 20 ounces.

Recommended Oil Usage										
5W-30, 10W-30										
Synthetic 5W-30, 10W-30										
-20°F	0°F	20°F	32°F	40°F	60°F	80°F	100°F			
-30°C	-20°C	-10°C	0°C	10°C	20°C	30°C	40°C			

5. Wipe away any spilled oil.

Checking Spark Plug

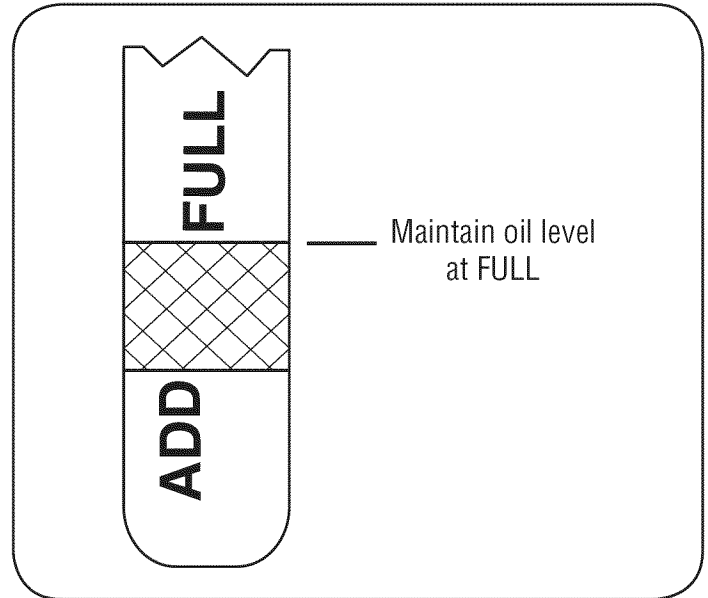


Figure 13

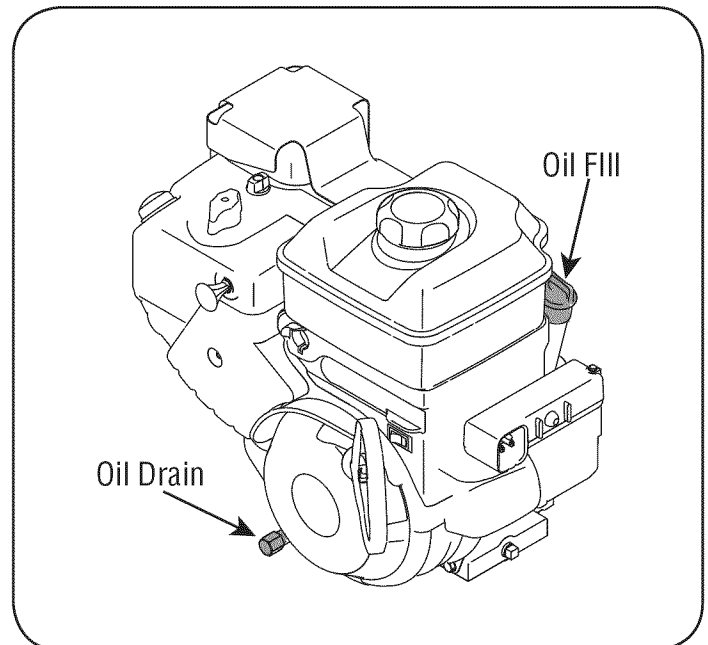


Figure 14

SERVICE AND MAINTENANCE

Check spark plug yearly or every 100 operating hours.

1. Remove choke control knob and safety key.
2. Loosen and remove the mounting screws from the snow hood.
3. Slowly remove the snow hood, making sure that the primer bulb hose and ignition wire remain connected. See Figure 15.
4. Remove and inspect spark plug.
5. Replace spark plug if porcelain is cracked or if electrodes are pitted, burned or fouled with deposits.
6. Check electrode gap with a feeler gauge and set gap to .030 (0.76mm) if necessary. See Figure 16.
7. Reinstall spark plug and tighten securely.
8. Remount the snow hood to the engine with the mounting screws, again making sure the primer bulb hose and ignition wire are connected.
9. Connect the choke control knob to the choke shaft on the carburetor. If the choke control knob is not installed correctly, the choke will not operate.
10. Install the safety key.

NOTE: A resistor spark plug must be used for replacement. Contact a Sears Parts and Repair Center for a replacement spark plug.

Carburetor

Engines operated at about 3000 to 5000 feet (900 to 1500 meters) above sea level may require a high altitude carburetor main jet. If erratic performance is observed, contact a Sears Parts and Repair Center for cost to install/purchase a high altitude carburetor main jet.

Engine Speed

LUBRICATION

Drive and Shifting Mechanism

⚠ WARNING

Avoid serious injury or death, **DO NOT** modify engine in any way. Tampering with the governor setting can cause the engine and equipment to operate at unsafe speeds. **NEVER** tamper with factory setting of engine governor. Running the engine faster than the speed set at the factory is dangerous.

At least once a season or after every 25 hours of operation, remove rear cover. Lubricate all chains, sprockets, gears, bearings, shafts, and the shifting mechanism. Use engine oil or a spray lubricant. Refer to Figure 17.

NOTE: Be careful not to get any oil on the aluminum drive plate or rubber friction wheel. Doing so will hinder the snow thrower's drive system. Wipe off any excess or spilled oil.

Wheels

At least once a season, remove both wheels. Clean and coat the axles with a multipurpose automotive grease before reinstalling wheels.

Chute Directional Control

Once a season, lubricate the eye bolt bushing and the spiral with 3-in-1 oil.

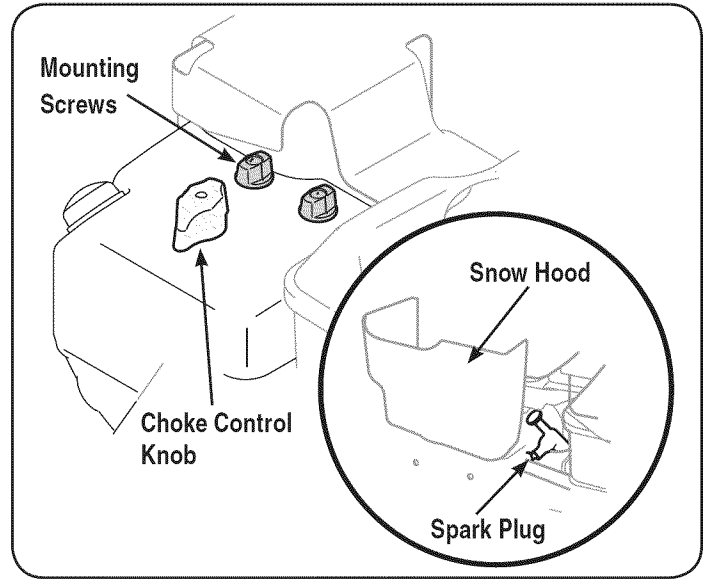


Figure 15

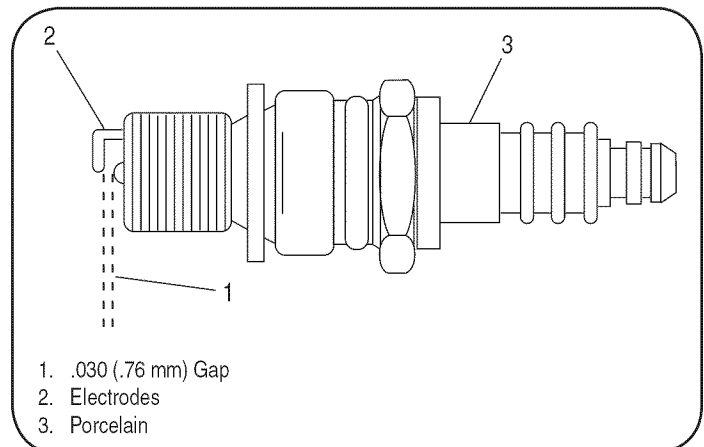


Figure 16

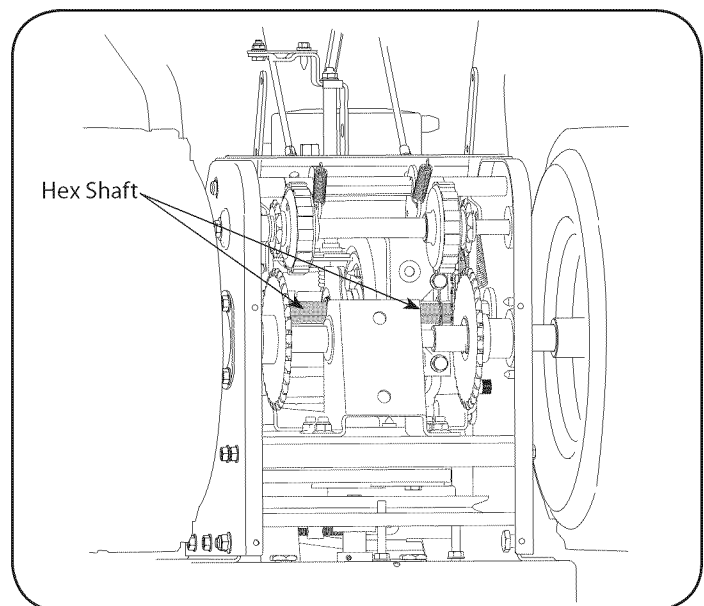


Figure 17

SERVICE AND MAINTENANCE

Auger Shaft

At least once a season, remove the shear pins on auger shaft. Spray lubricant inside shaft, and around the spacers and flange bearings found at either end of the shaft. See Figure 18.

SHAVE PLATE AND SKID SHOES

The shave plate and skid shoes on the bottom of the snow thrower are subject to wear. They should be checked periodically and replaced when necessary.

Skid Shoes

NOTE: The skid shoes on this machine have two wear edges. When one side wears out, they can be rotated 180° to use the other edge.

1. Remove the six carriage bolts and hex nuts that secure the two skid shoes to the sides of the auger housing. Refer to Figure 19.
2. Position the new skid shoes and secure with the carriage bolts and hex nuts. Make certain the skid shoes are adjusted to be level.

Shave Plate

1. Remove the hex nuts and carriage bolts that secure the shave plate to the bottom of the housing.
2. Remove the rear most hex nut and carriage bolt securing the back of each skid shoe to the sides of the housing. Loosen the four remaining hex nuts securing the skid shoes.
3. Slide the shave plate out of the off-set slot at the bottom of the housing, and from between the skid shoes and side panels of the housing.
4. With the mounting holes toward the back of the unit, slide the new shave plate into position and secure with the fasteners removed previously.

ADJUSTMENTS

Shift Rod

If the full range of speeds (forward and reverse) cannot be achieved, refer to Figure 20 to the left and adjust the shift rod as follows:

1. Looking underneath the handle panel, note which of the three holes in the shift lever the ferrule is inserted into. Also note the direction of insertion. Then remove the internal cotter pin and flat washer from the ferrule and withdraw the ferrule from the shift lever. See Figure 20.
2. Place shift lever in sixth (6) position or fastest forward speed.
3. Push shift rod and shift arm assembly down sharply as far as it will go to put the drive into the fastest forward position.
4. As necessary, rotate the ferrule up or down the shift rod until the ferrule lines up with the hole from which it was earlier removed. See Figure 20.
5. From the direction noted earlier, insert the ferrule into the proper hole.
6. Reinstall the washer and the internal cotter pin.

Chute Control

The distance snow is thrown can be adjusted by adjusting the angle of the chute assembly. Refer to the Operation section for instructions.

The remote chute control cables have been pre-adjusted at the factory.

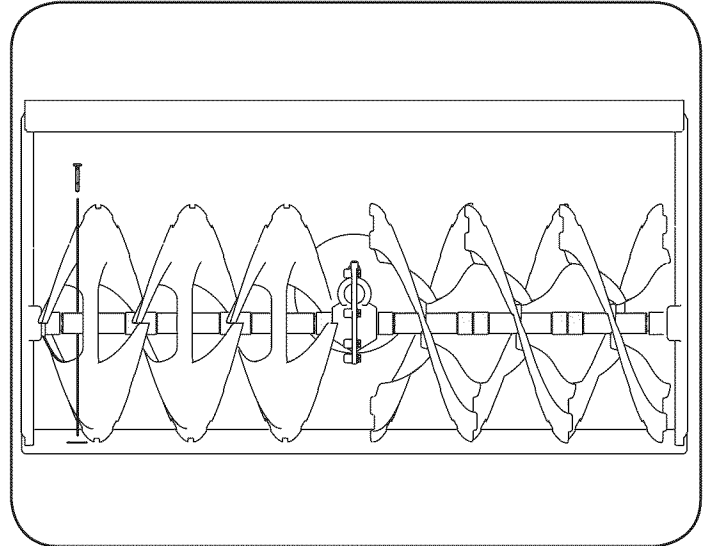


Figure 18

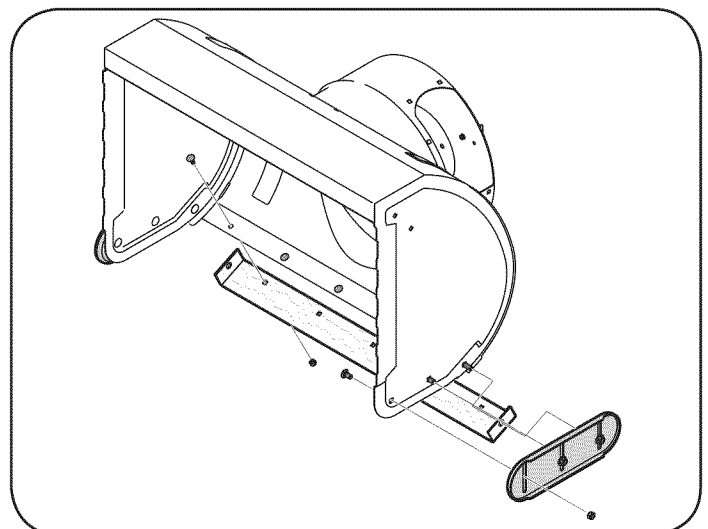


Figure 19

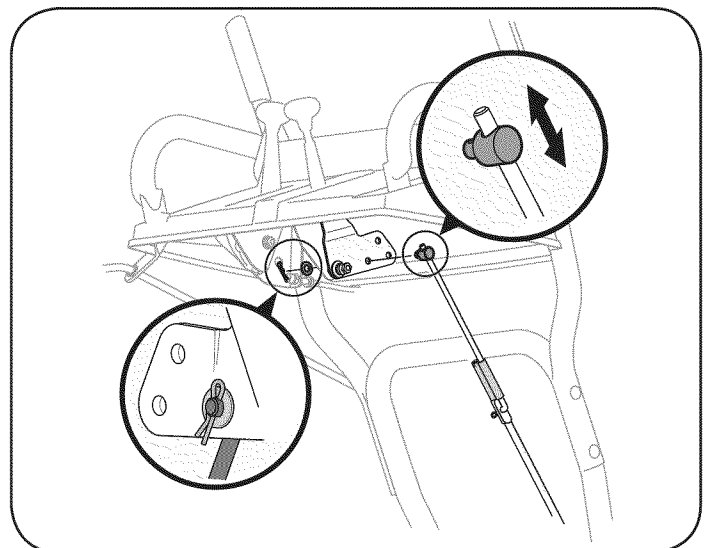


Figure 20

SERVICE AND MAINTENANCE

Move the remote chute lever on the control panel forward to pivot the upper chute down; move the lever rearward to pivot the upper chute up.

Wheel drive control

Refer to the Adjustment section of the Assembly instructions to adjust the wheel drive control. To further check the adjustment, proceed as follows:

1. With the snow thrower tipped forward (be certain to run the fuel tank dry before tipping the unit forward), remove the frame cover underneath the snow thrower by removing the self-tapping screws.
2. Locate the opening between the axle support bracket and the front frame support (See Figure 21). Looking through this opening, with the wheel drive control released, there must be clearance between the friction wheel and the drive plate in all positions of the shift lever.
3. With the wheel drive control engaged, the friction wheel must contact the drive plate. See Figure 21.
4. If there is no friction wheel clearance, or the friction wheel does not solidly contact the drive plate, re-adjust the lock nut on the lower end of the drive cable following the instructions in the Assembly section.
5. Reassemble the frame cover.

Chute Bracket

If the spiral at the bottom of the chute directional control is not fully engaging with the chute assembly, the chute bracket can be adjusted. To do so:

1. Loosen the two nuts which secure the chute bracket and reposition it slightly. See Figure 22.
2. Retighten the nuts.

Auger Control

Refer to the Assembly section for instructions on adjusting the auger control cable.

Skid Shoes

Refer to the Assembly section for instructions on adjusting the skid shoes.

BELT REPLACEMENT

Belt Removal Preparation

1. Disconnect the chute crank assembly at the discharge chute end by removing the hairpin clip and the flat washer. Refer to Figure 23.
2. Remove the plastic belt cover, located near the engine, by removing the three self-tapping screws that secure it. See Figure 24.
3. Loosen the bolt shown in Figure 25 securing the belt keeper bracket and remove the other bolt. Push the belt keeper and bracket up off the engine pulley.

Auger Belt Replacement

1. Remove the hairpin clip and flat washer from the ferrule in order to disconnect the auger idler rod from the brake bracket assembly.

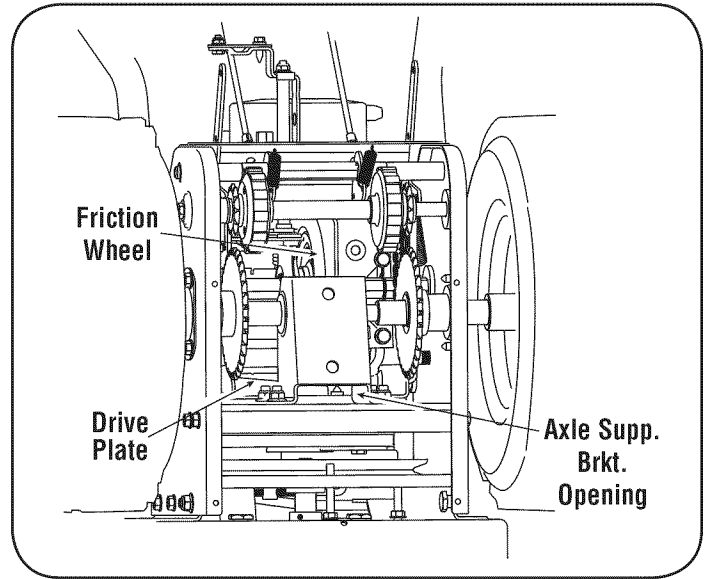


Figure 21

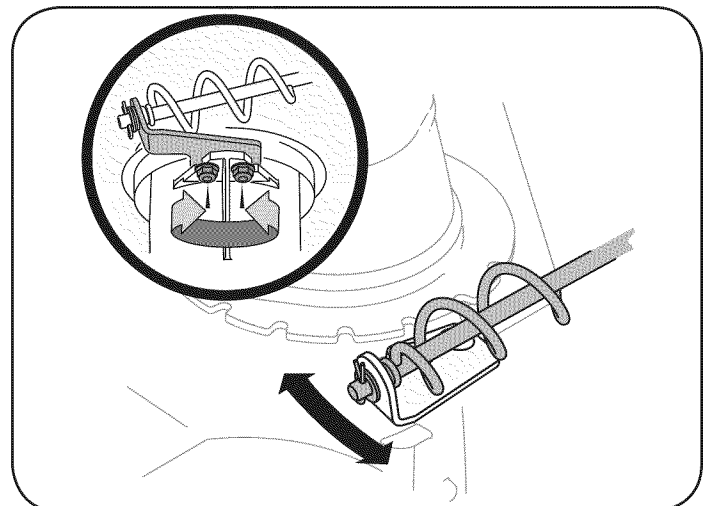


Figure 22

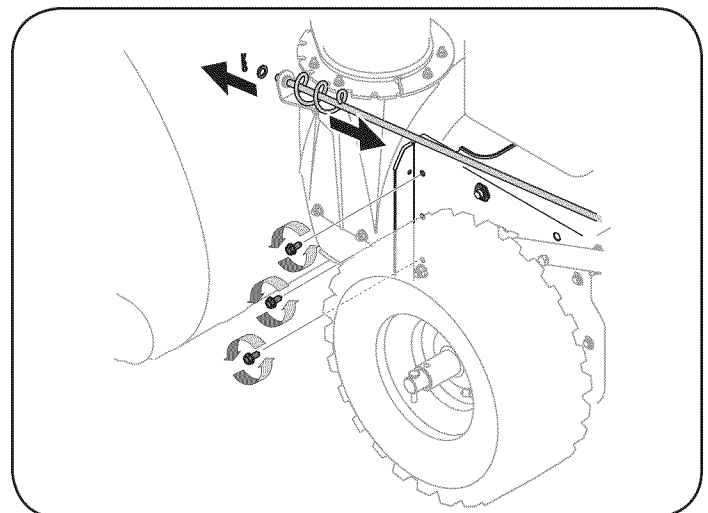


Figure 23

SERVICE AND MAINTENANCE

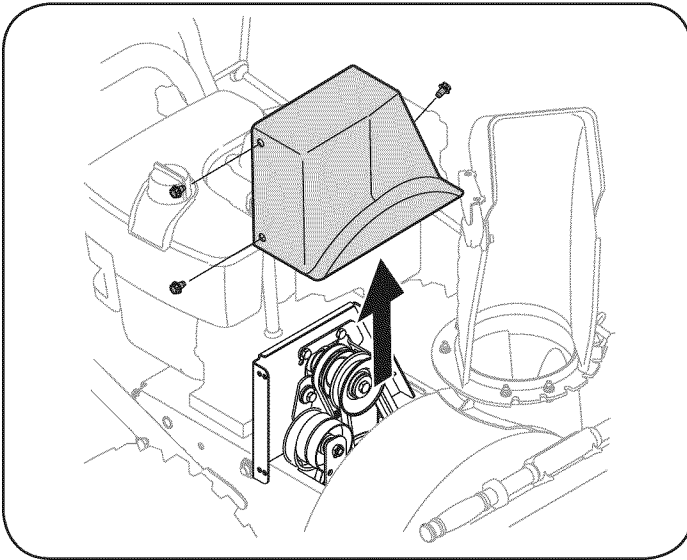


Figure 24

See Figure 26.

NOTE: Make sure that the location of the ferrule on the auger idler rod is maintained.

2. Slip the auger control belt (the front belt) off the engine pulley.
3. Pull the brake bracket assembly towards the cable guide roller and unhook the auger cable "Z" fitting. See Figure 27.
4. From both sides of the the frame assembly, use a 1/2" wrench to remove the three hex tap screws securing the frame to the auger housing assembly. Refer to Figure 23 on previous page.
NOTE: Do not remove the lower hex flange lock nut on each side.
5. Place a block of wood underneath the auger housing as shown in Figure 28 and separate auger housing from the frame by tilting the housing forward and pulling up the handles.
6. Block the impeller with a piece of wood to prevent it from spinning and use a 1/2" wrench to remove the hex screw and flat washer from the center of the pulley on the auger housing. See Figure 29.
7. Lift the brake bracket assembly out of the pulley groove and slide the pulley assembly off the posts of the auger pulley adapter to remove the old belt. Refer to Figure 29.

NOTE: The pulley adapter may slide off the auger input shaft when removing the pulley. Use extra caution to ensure the adapter does fall and/or get damaged when removing the pulley.

8. Place the new auger belt in the V-groove of the auger pulley and place the pulley w/belt inside the belt keepers.
9. Turn the pulley as necessary to align its three slots approximately with the posts of the pulley adapter, then move the brake bracket assembly away from the input shaft. While aligning the pulley slots and adapter posts, push the auger pulley fully onto the adapter. Refer to Figure 29.

NOTE: If the pulley adapter was removed with the pulley, align the splines of the pulley adapter and auger input shaft, and push the pulley and adapter onto the input shaft. Refer to Figure 29.

10. Slide the washer onto the hex screw removed earlier and apply Loctite 262 to the threads of the hex screw.
11. Insert the hex screw through the pulley assembly and into the

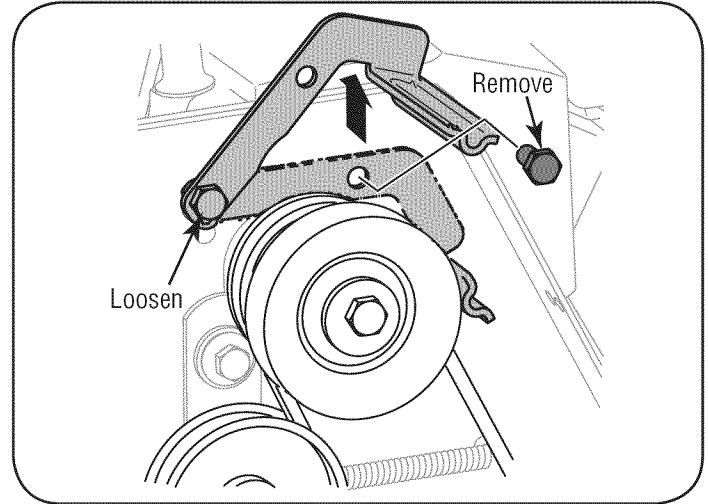


Figure 25

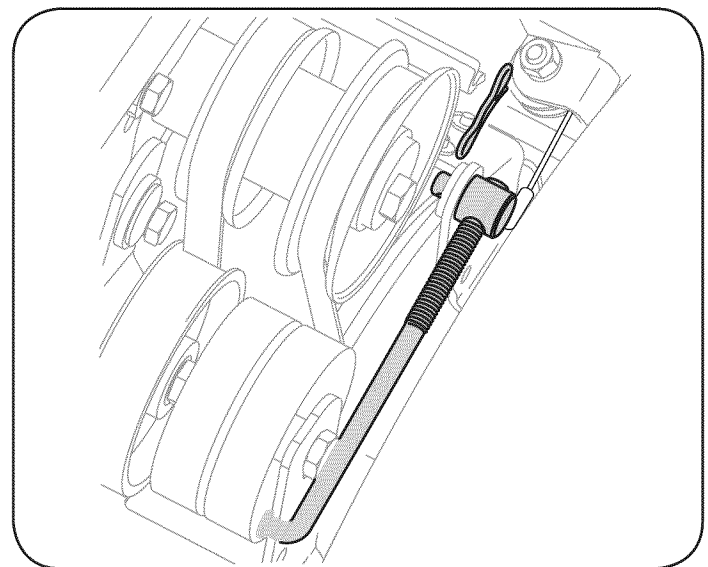


Figure 26

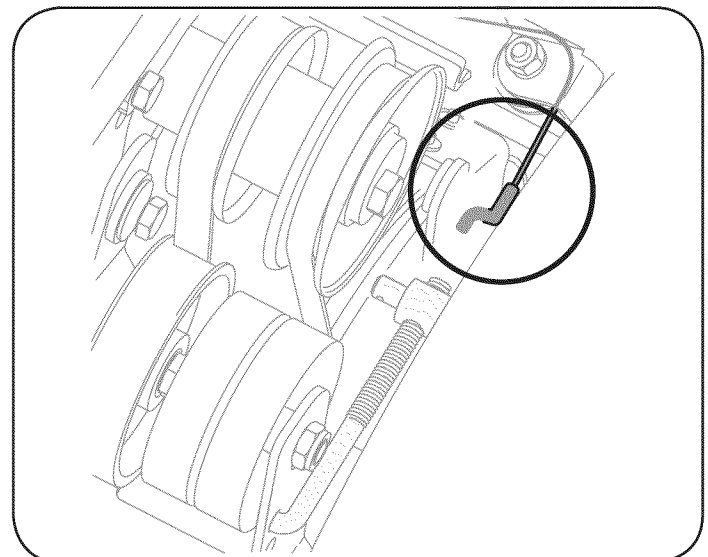


Figure 27

SERVICE AND MAINTENANCE

threads of the input shaft. Torque the hex screw to 250-325 in. /lbs. to secure the auger pulley assembly on the input shaft.

12. If also replacing the drive belt, proceed to the "Drive Belt" instruction. If not, reposition the transmission frame back onto the auger housing. Install the drive belt on the engine pulley, re-connect the auger cable "Z" fitting and auger idler rod ferrule to the brake bracket. Reposition and secure the engine pulley belt guard, and re-install the belt cover.

NOTE: Make sure to remove the piece of wood blocking the impeller.

Check the auger drive belt adjustment. With the auger clutch lever in the disengaged position, the top surface of the new belt should be even with the outside diameter of the pulley.

To adjust, disconnect ferrule from brake bracket assembly. Thread ferrule in (towards idler) to increase tension on belt, or out to decrease belt tension.

NOTE: The brake puck must always be firmly seated in the pulley groove when auger control is disengaged.

IMPORTANT: Repeat the "Auger Drive Control Test" from the Assembly section before operating snow thrower.

Drive Belt Replacement

If not already done, remove the auger drive belt from the front pulley of the engine double pulley. Refer to "Auger Belt Replacement" instructions in the previous sub-section.

1. a. Pull the idler pulley away from the backside of the drive belt to relieve the tension. See Figure 30.
b. Slip the drive belt off the idler pulley. Carefully release the idler pulley.
2. Roll the drive belt off the lower drive pulley.
3. Remove the belt from the engine pulley.
4. Install the new belt on the pulleys in the reverse order and re-tension with the idler pulley.
5. Reassemble by performing the previous steps in the opposite order and manner of removal.

CHANGING FRICTION WHEEL

The rubber on the friction wheel is subject to wear and should be checked periodically. Replace the friction wheel if any signs of wear or cracking are found.

1. Run the unit's fuel tank dry before performing Step 2.
2. Tip the snow thrower up and forward, so that it rests on the housing.
3. Remove screws from the frame cover underneath the snow thrower (refer to Figure 31). Remove the right wheel from the axle.

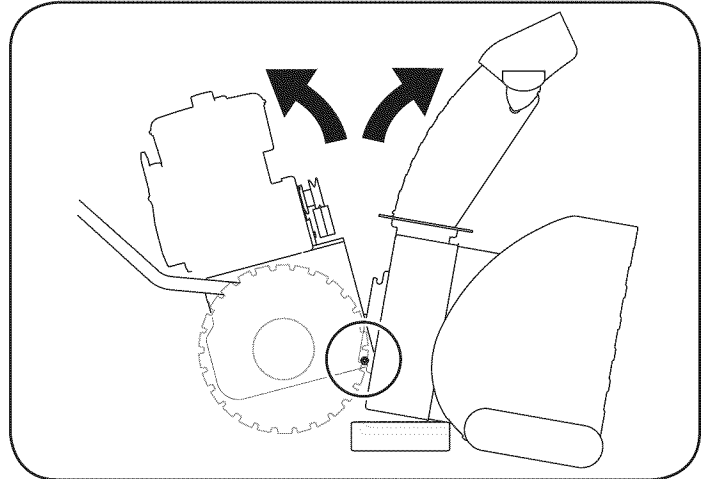


Figure 28

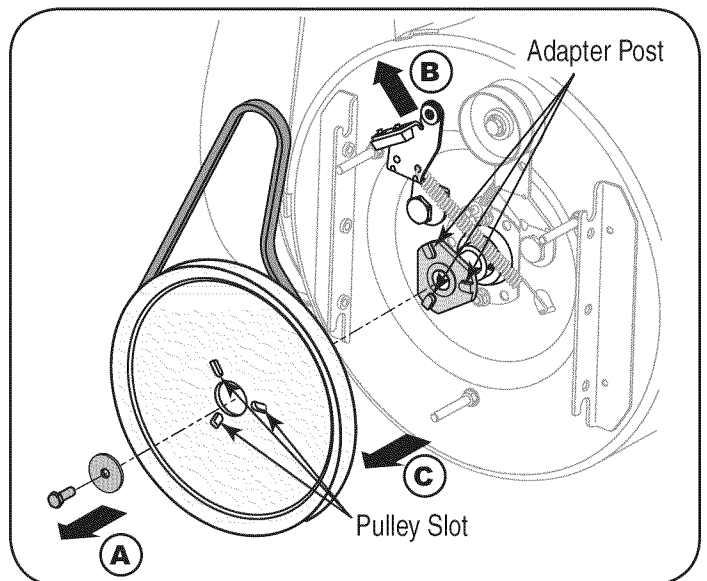


Figure 29

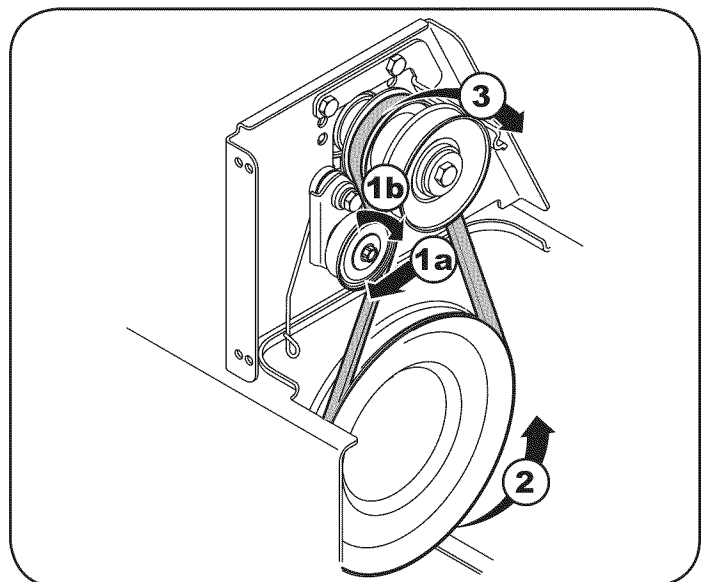


Figure 30

SERVICE AND MAINTENANCE

- Using a 3/4" wrench, hold the hex shaft and remove the hex screw and belleville washer and bearing from left side of the frame. Refer to Figure 32.
- Holding the friction wheel assembly, slide the hex shaft out of the friction wheel assembly and the right side of the frame. The spacer on the left side of the hex shaft will fall and the sprocket should remain hanging loose in the chain.
- Lift the friction wheel assembly out between the axle shaft and the drive shaft assemblies.
- Remove four screws securing the friction wheel to the hub assembly (refer to Figure 33). Discard old friction wheel.
- Reassemble the new friction wheel onto the hub assembly, tightening the four screws in rotation and with equal force. It is important to assemble the friction wheel symmetrically for proper functioning.
- Reposition the friction wheel assembly in the snow thrower frame. Insert the pin from the shift arm assembly into the friction wheel assembly and hold assembly in position. Refer to Figure 34.
- Slide the hex shaft through the right side of the frame toward the left side and through the friction wheel assembly.
- After making certain that the chain is on both the large and the small sprocket, align the hex shaft with the hex hub of the small sprocket, and slide the shaft through the sprocket.

NOTE: If the sprocket fell from the snow thrower while removing the hex shaft, place the sprocket on the chain. Realign the sprocket on the chain with the hex hub facing the right side of unit. Position the hex hub of the sprocket toward the friction wheel when sliding the sprocket on to the hex shaft.

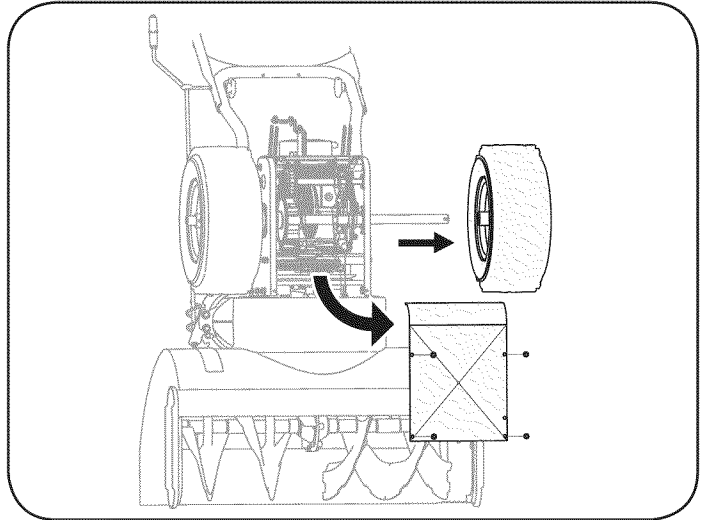


Figure 31

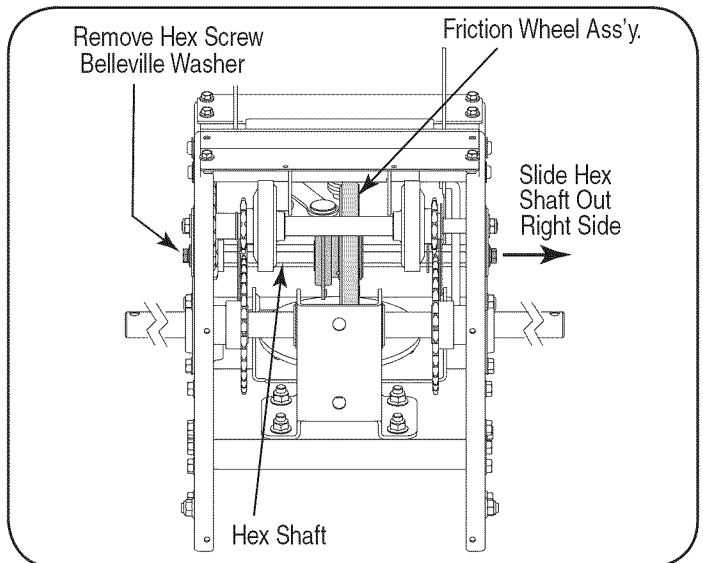


Figure 32

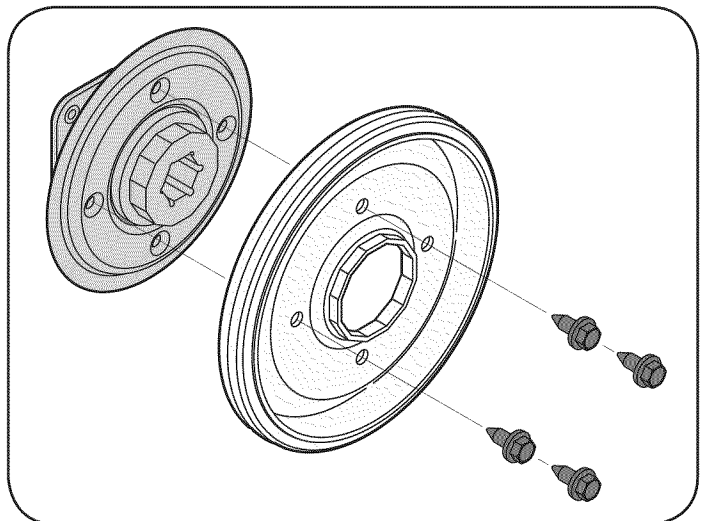


Figure 33

SERVICE AND MAINTENANCE

12. Slide the spacer onto the end of the hex shaft.
13. Align the bearing on the right end of the hex shaft with the hole in the right side of the frame, then push the hex shaft to the left into position in the frame.
14. Slide the bearing onto the left end of the hex shaft and press into the hole on the left side the frame.
15. Place the belleville washer (rounded side toward head) onto the hex screw removed earlier, and insert the screw into the threaded hole of the hex shaft.
16. Gradually tighten the hex screw to fully seat the bearings in each side of the frame and to secure the hex shaft.
17. Position the frame cover on the bottom of the frame and secure with the self-tapping screws. Pivot the snow thrower down to its normal operating position.

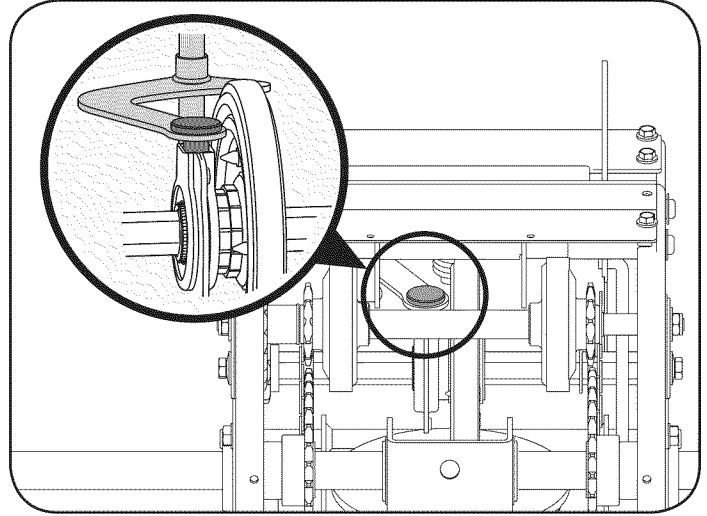


Figure 34

MAINTENANCE SCHEDULE

⚠ WARNING

Before performing any type of maintenance/service, disengage all controls and stop the engine. Wait until all moving parts have come to a complete stop. Disconnect spark plug wire and ground it against the engine to prevent unintended starting. Always wear safety glasses during operation or while performing any adjustments or repairs.

Follow the maintenance schedule given below. This chart describes service guidelines only. Use the Service Log column to keep track of completed maintenance tasks. **To locate the nearest Sears Service Center or to schedule service, simply contact Sears at 1-800-4-MY-HOME®.**

Interval	Item	Service	Service Log
Each Use	<ol style="list-style-type: none"> 1. Engine oil level 2. Loose or missing hardware 3. Unit and engine. 	<ol style="list-style-type: none"> 1. Check 2. Tighten or replace 3. Clean 	
1st 5 - 8 hours	<ol style="list-style-type: none"> 1. Engine oil 	<ol style="list-style-type: none"> 1. Change 	
25 hours	<ol style="list-style-type: none"> 1. Engine oil† 2. Control linkages and pivots 	<ol style="list-style-type: none"> 1. Change 2. Lube with light oil 	
50 hours	<ol style="list-style-type: none"> 1. Engine oil 	<ol style="list-style-type: none"> 1. Change 	
Annually or 100 hours	<ol style="list-style-type: none"> 1. Spark plug 	<ol style="list-style-type: none"> 1. Clean, replace, re-gap 	
Before Storage	<ol style="list-style-type: none"> 1. Fuel system 	<ol style="list-style-type: none"> 1. Run engine until it stops from lack of fuel or add a gasoline additive to the gas in the tank. 	

† Under heavy load or in high temperatures

OFF-SEASON STORAGE

If the snow thrower will not be used for 30 days or longer, or if it is the end of the snow season when the last possibility of snow is gone, the equipment needs to be stored properly. Follow storage instructions below to ensure top performance from the snow thrower for many more years.

PREPARING ENGINE

For engines stored over 30 days:

1. To prevent gum from forming in fuel system or on essential carburetor parts:
 - a. If fuel tank contains oxygenated or reformulated gasoline (gasoline blended with an alcohol or ether), run engine until it stops from lack of fuel.

CAUTION

Alcohol blended fuels (called gasohol or using ethanol or methanol) can attract moisture which leads to separation and formation of acids during storage. Acidic gas can damage the fuel system of an engine while in storage.

- b. If fuel tank contains gasoline, either run engine until it stops from lack of fuel or add a gasoline additive to the gas in the tank. If you use a gas additive, run the engine for several minutes to circulate the additive through the carburetor.

WARNING

Never store snow thrower with fuel in tank indoors or in poorly ventilated areas, where fuel fumes may reach an open flame, spark or pilot light as on a furnace, water heater, clothes dryer or gas appliance.

2. While the engine is still warm, change the oil.
3. Remove the spark plug and pour about 1/2 ounce of engine oil through the spark plug hole into the cylinder. Replace spark plug and crank the engine several times to distribute the oil.

WARNING

Never use engine or carburetor cleaning products in the fuel tank or permanent damage may occur.

PREPARING SNOW THROWER

- When storing the snow thrower in an unventilated or metal storage shed, care should be taken to rustproof the equipment. Using a light oil or silicone, coat the equipment, especially any chains, springs, bearings and cables.
- Remove all dirt from exterior of engine and equipment.
- Follow lubrication recommendations.
- Store equipment in a clean, dry area.

TROUBLESHOOTING

⚠ WARNING

Before performing any type of maintenance/service, disengage all controls and stop the engine. Wait until all moving parts have come to a complete stop. Disconnect spark plug wire and ground it against the engine to prevent unintended starting. Always wear safety glasses during operation or while performing any adjustments or repairs.

This section addresses minor service issues. To locate the nearest Sears Service Center or to schedule service, simply contact Sears at 1-800-4-MY-HOME®.

Problem	Cause	Remedy
Engine fails to start	<ol style="list-style-type: none"> 1. Choke control not in ON position. 2. Spark plug wire disconnected. 3. Faulty spark plug. 4. Fuel tank empty or stale fuel. 5. Engine not primed. 6. Safety key not inserted. 	<ol style="list-style-type: none"> 1. Move choke control to ON position. 2. Connect wire to spark plug. 3. Clean, adjust gap, or replace. 4. Fill tank with clean, fresh gasoline. 5. Prime engine as instructed in the Operation Section. 6. Insert key fully into the switch.
Engine runs erratically	<ol style="list-style-type: none"> 1. Engine running on CHOKE. 2. Stale fuel. 3. Water or dirt in fuel system. 4. Carburetor out of adjustment. 	<ol style="list-style-type: none"> 1. Move choke control to OFF position. 2. Fill tank with clean, fresh gasoline. 3. Drain fuel tank. Refill with fresh fuel. 4. Contact your Sears Parts & Repair Center.
Engine overheats	<ol style="list-style-type: none"> 1. Carburetor not adjusted properly. 	<ol style="list-style-type: none"> 1. Contact your Sears Parts & Repair Center.
Excessive vibration	<ol style="list-style-type: none"> 1. Loose parts or damaged auger. 	<ol style="list-style-type: none"> 1. Stop engine immediately and disconnect spark plug wire. Tighten all bolts and nuts. If vibration continues, have unit serviced by a Sears Parts & Repair Center.
Loss of power	<ol style="list-style-type: none"> 1. Spark plug wire loose. 2. Gas cap vent hole plugged. 	<ol style="list-style-type: none"> 1. Connect and tighten spark plug wire. 2. Remove ice and snow from gas cap. Be certain vent hole is clear.
Unit fails to propel itself	<ol style="list-style-type: none"> 1. Drive cable in need of adjustment. 2. Drive belt loose or damaged. 3. Friction wheel worn. 	<ol style="list-style-type: none"> 1. Adjust drive control cable. Refer to Service and Maintenance section. 2. Replace drive belt. Refer to Service & Maint. section. 3. Replace friction wheel.
Unit fails to discharge snow	<ol style="list-style-type: none"> 1. Chute assembly clogged. 2. Foreign object lodged in auger. 3. Auger cable in need of adjustment. 4. Auger belt loose or damaged. 5. Shear pin(s) sheared. 	<ol style="list-style-type: none"> 1. Stop engine immediately and disconnect spark plug wire. Clean chute assembly and inside of auger housing with clean-out tool or a stick. 2. Stop engine immediately and disconnect spark plug wire. Remove object from auger with clean-out tool or a stick. 3. Adjust auger control cable. Refer to Assembly section. 4. Replace auger belt. Refer to Service and Maintenance section. 5. Replace with new shear pin(s).

NEED MORE HELP?

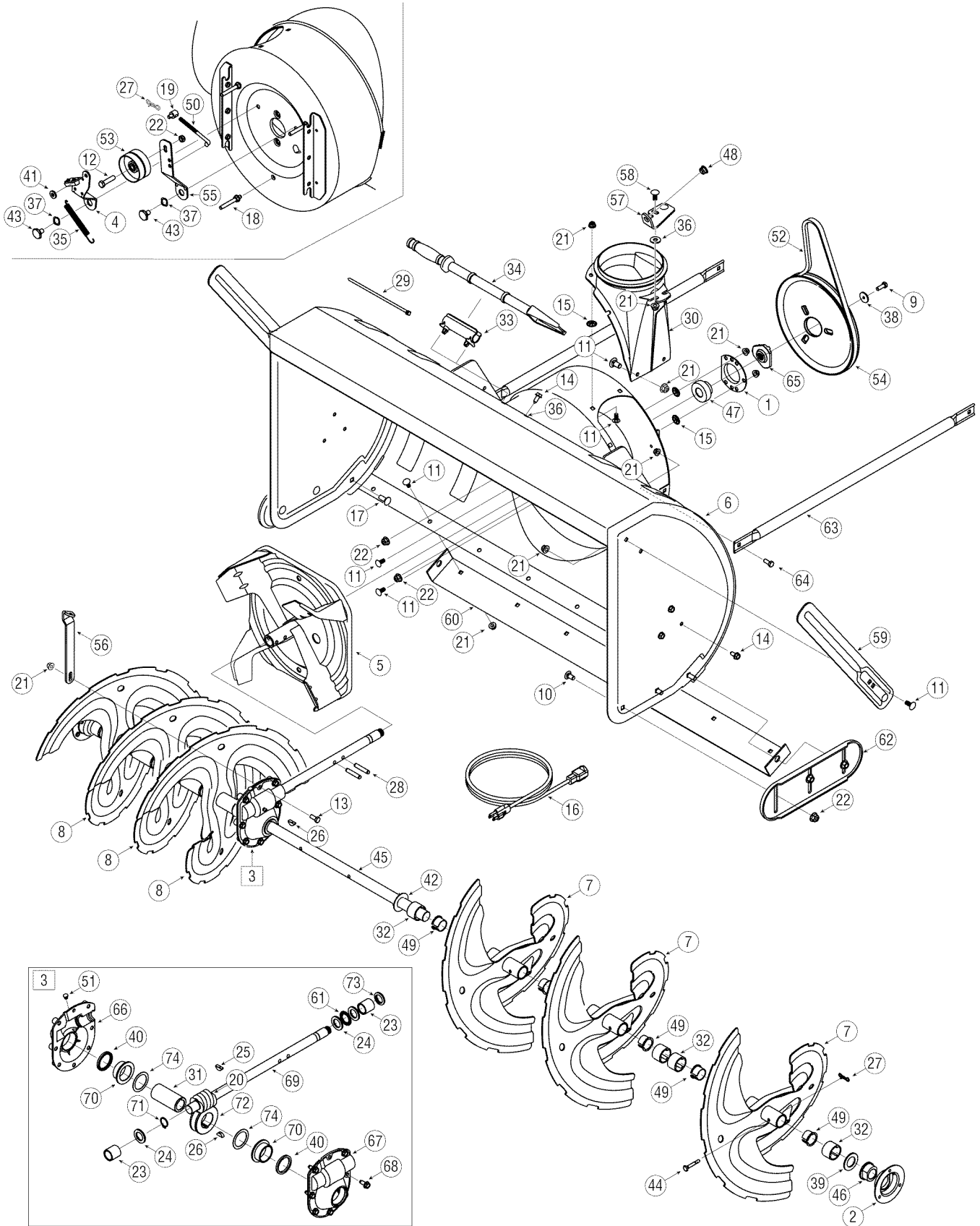
You'll find the answer and more on managemyhome.com - for free!

- Find this and all your other product manuals online.
- Get answers from our team of home experts.
- Get a personalized maintenance plan for your home.
- Find information and tools to help with home projects.

manage my home
brought to you by Sears

PARTS LIST

Craftsman Snow Thrower Model 247.88845



PARTS LIST

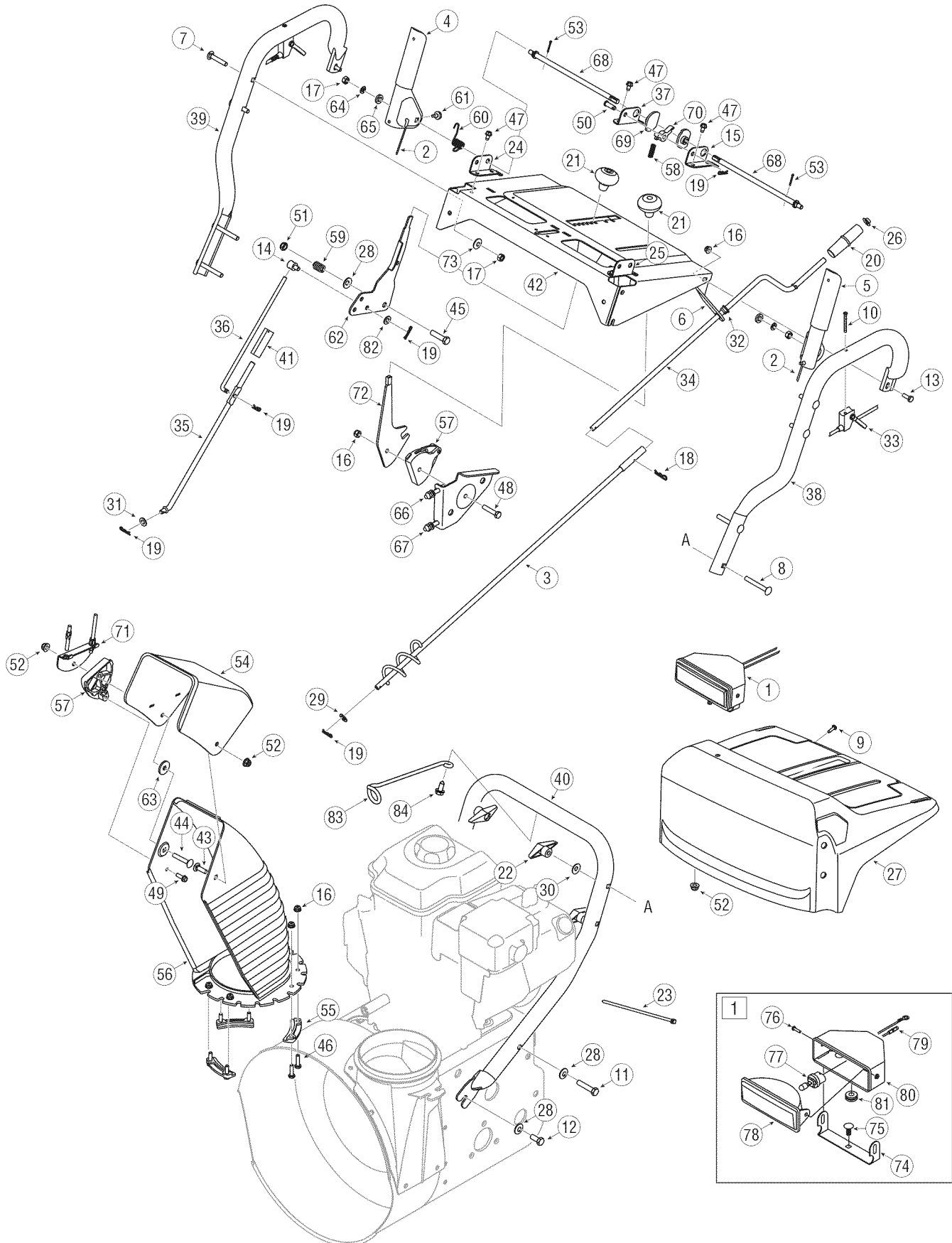
Craftsman Snow Thrower Model 247.88845

Ref. No.	Part No.	Description
1.	05244B	Housing, Bearing
2.	05845C	Housing, Bearing
3.	618-04515	Gear Box Assembly, Auger
4.	618-0281A	Bracket Assy, Auger Brake
5.	684-0090B-0637	Impellar, 16"
6.	684-04224-0721	Housing, Auger - 45"
7.	684-04151-0637	Spiral Assy, LH
8.	684-04152-0637	Spiral Assy, RH
9.	710-1245B	Screw, 5/16-24 x .875
10.	710-0389	Bolt, Carriage, 3/8-16 x .750
11.	710-0451	Screw, Carriage, 5/16-18 x .75
12.	710-0347	Scr, Hex Cap, 3/8-24 x 1.5
13.	710-0376	Scr, Hex Cap, 5/16-18 x 1.00
14.	710-04484	Screw, 5/16-18 x .750
15.	726-04012	Nut, Push
16.	629-0071	Extension Cord, 110V
17.	710-3168	Bolt, Carriage, 3/8-16 x 1.0
18.	710-04606	Screw, 5/16-18 x .4300
19.	711-0677	Ferrule
20.	717-0299	Gear, Worm, Dbl Thread
21.	712-04063	Nut, Flnge Lk, 5/16-18
22.	712-04065	Nut, Flg Lk, 3/8-16
23.	741-0217	Sleeve
24.	736-0291	Washer, Flat, .88 ID x .38 OD
25.	714-0126	Key, Hi Pro, 3/16 x 3/4
26.	714-0135	Key, Woodruff, 1/4 x 3/4
27.	714-04040	Pin, Bowtie Cotter
28.	715-0118	Pin, Spirol, 5/16 x 1.75
29.	725-0157	Tie, Cable
30.	731-1696B	Adapter, Chute, 6"
31.	738-0275	Shf, Gear, Worm
32.	731-05163	Spacer, 1.0 x 1.5 x 1
33.	731-2635	Clip, Mounting
34.	731-2643	Tool, Cleanout
35.	732-0858	Spring, Extension
36.	736-0159	Washer, .349 x .879 x .063
37.	736-0174	Washer, .625 x .885 x .015

Ref. No.	Part No.	Description
38.	736-0505	Washer, Flat, .34 x 1.50 x .150
39.	750-04020	Spacer, 1.004 x 1.375 x .25
40.	721-0146	Oil Seal
41.	736-3008	Washer, .344 x .75 x .12
42.	736-3046A	Washer, 1.01 x 1.86 x .06
43.	738-0281	Screw, Shoulder, .625 x .17
44.	738-04155	Pin, Shear, .25 x 1.75
45.	738-04159	Axle, Spiral, 45"
46.	741-0192	Bearing, Flange w/Flats
47.	741-04024	Bearing, Self Aligning
48.	741-0475	Bushing, Nylon
49.	741-0494	Bushing, Flange, 1.051 x 1.16
50.	747-0980A	Rod, Auger Idler
51.	721-0325	Plug
52.	754-04131	V Belt, 1/2 x 42" Long
53.	756-0178	Pulley, Flat Idler, 2.75 OD
54.	756-04244A	Pulley, Auger Drive, 10.0
55.	784-0385B	Bracket, Auger Idler
56.	790-00264A-0637	Bracket, Gear Box Support
57.	784-5123-0637	Bracket, Chute Crank
58.	710-0276	Screw, Carriage, 5/16-18 x 1.00
59.	790-00181	Drift Cutter
60.	790-00280-0637	Plate, Shave, 45"
61.	741-0184	Brg, Thrust
62.	784-5697-0637	Shoe, Skid
63.	749-04384-0637	Support Tube
64.	710-3008	Screw, 5/16-18 x .75
65.	748-04067A	Pulley, Adapter, .75 Dia.
66.	618-0246	Hsg Assy Auger RH (Inc. 40 & 70)
67.	618-0247	Hsg Assy Auger LH (Inc. 40 & 70)
68.	710-1260A	Screw, LD, 5/16-18 x .750
69.	711-04714	Shf, Drive, Auger
70.	741-0670	Flange Bearing
71.	716-0111	Ext, Ret, Ring
72.	717-1425	Gear, Worm, LH
73.	721-0145	Seal, Oil
74.	736-0266	Washer, Flat, 1.52 ID x 2.0 OD

PARTS LIST

Craftsman Snow Thrower Model 247.88845



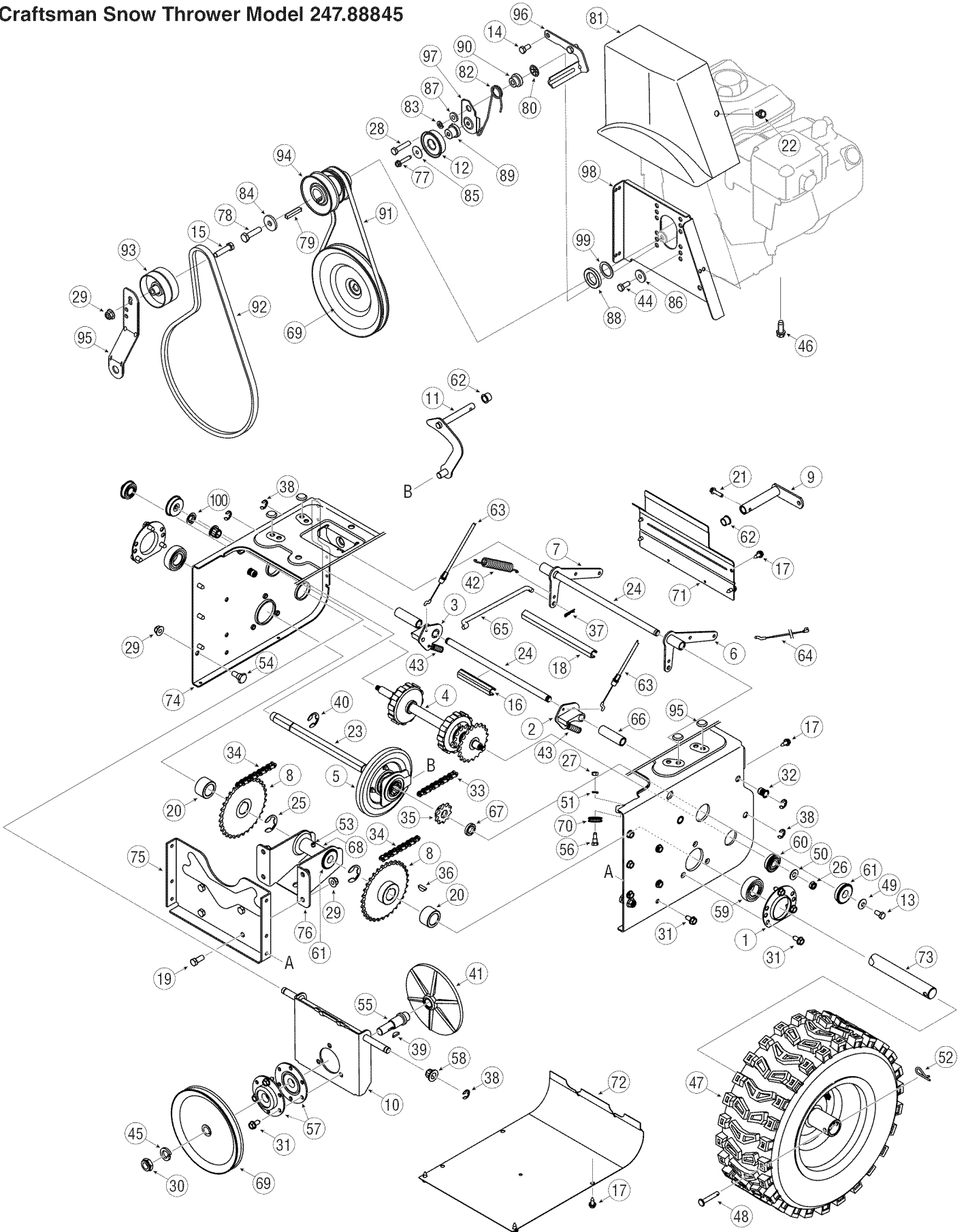
PARTS LIST

Ref. No.	Part No.	Description
1.	625-04053	Assembly, Light
2.	646-0012	Cable Ass'y, Auger/Drive
3.	684-0053B-0637	Crank, Chute, 26.0
4.	705-5218	Handle, Engage, RH
5.	705-5219	Handle, Engage, LH
6.	705-5266-0637	Bracket, Chute Crank
7.	710-0458	Screw, Carr., 5/16-18 x 1.75
8.	710-0572	Screw, Carr., 5/16-18 x 2.5
9.	710-1003	Screw, #10-16 x .625
10.	710-1625	Screw, #10-24 x 1.75
11.	710-04682	Screw, Hex, 3/8-16 x 2.00
12.	710-3118	Screw, Hex, 3/8-16 x 1.00
13.	710-3015	Screw, Hex, 1/4-20 x .75
14.	711-0677	Ferrule, 5/16-18 x .312 Dia
15.	784-5679-0637	Brkt., Handle Support - LH
16.	712-04064	Nut, Hex Flange, 1/4-20
17.	712-3068	Nut, Hex Lock, 5/16-18 GR5
18.	714-0101	Pin, Internal Cotter
19.	714-0104	Pin, Internal Cotter
20.	720-0201A	Knob, Crank
21.	720-04039	Knob, Shift
22.	720-0284	Knob, Wing, 5/16-18
23.	725-0157	Tie, Cable
24.	784-5682-0637	Brkt., Handle Support - RH
25.	784-5681-0637	Brkt., Handle Support - LH
26.	726-0100	Cap, Push, 3/8
27.	731-2298	Panel, Handle
28.	736-0105	Wash, Bell, .375 x .87 x .063
29.	736-0185	Wash, Fl., .375 x .738 x .063
30.	736-0242	Wash, Bell, .34 x .872 x .06
31.	736-0275	Wash, Fl, .344 x .688 x .065
32.	741-0475	Bushing, Plastic, .38 ID
33.	746-0950A	Cable Assembly, Trigger
34.	747-0624-0637	Rod, Chute Crank
35.	747-0983A	Rod, Lower Shift
36.	747-0997	Rod, Upper Shift
37.	784-5680-0637	Brkt., Handle Support - RH
38.	749-0989A-0637	Handle, Upper LH
39.	749-0990A-0637	Handle, Upper RH
40.	749-0991-0637	Handle, Lower
41.	750-0963	Connector, Shift Rod
42.	684-0102A-0721	Panel, Handle

Ref. No.	Part No.	Description
43.	710-0276	Screw, Carr, 5/16-18 x 1.0
44.	710-0458	Screw, Carr., 5/16-18 x 1.75
45.	710-0459A	Screw, Hex, 3/8-24 x 1.5
46.	710-0597	Screw, Hex, 1/4-20 x 1.0
47.	710-0599	Screw, Hx, 1/4-20 x .5
48.	710-0805	Screw, Hex, 5/16-18 x 1.5
49.	710-0895	Screw, Hx, 1/4-15 x .75
50.	711-0653	Pin, Clevis, .312 x 1.0
51.	712-0116	Nut, Insert, 3/8-24
52.	712-04063	Nut, Flnge Lk, 5/16-18
53.	714-0507	Pin, Cotter, 3/32 x .75
54.	731-0846C	Chute, Upper, 6.0
55.	731-0851A	Flange Keeper, Chute
56.	731-0903E	Chute, Lower
57.	731-1313C	Cbl. Guide, Chute Tilt
58.	732-0145	Spring, Compression
59.	732-0193	Spring, Compression
60.	732-0746	Spring, Torsion
61.	735-0199A	Bumper, Rubber
62.	784-5619B-0637	Handle, Shift
63.	736-0231	Wash, Fl, .344 x 1.125 x .12
64.	736-0119	Washer, Lock, 5/16
65.	736-0509	Wash, Fl, .35 Sq x .72 x .134
66.	746-0902	Cable, Chute Control, 66"
67.	746-0903	Cable, Chute Control w/Clip,
68.	747-0877	Rod, Cam
69.	748-0362	Cam, Handle Lock
70.	748-0363	Pawl, Handle Lock
71.	784-5594-0637	Bracket, Cable
72.	784-5604A-0637	Handle, Chute Tilt
73.	736-0159	Washer, Flat, .349 x .879 x .063
74.	705-5217	Bracket, Mount, Lamp
75.	710-0451	Bolt, Carriage, 5/16-18 x .750
76.	710-1240	Screw, M4 x .7
77.	925-1658	Lamp
78.	725-1669	Housing, Lamp
79.	725-04622	Harness
80.	731-1364	Housing
81.	735-0225	Grommet
82.	736-3008	Wash, Fl, .344 x .750 x .120
83.	747-04786	Cable Guide
84.	710-04484	Screw, 5/16-18 x .750

PARTS LIST

Craftsman Snow Thrower Model 247.88845



PARTS LIST

Craftsman Snow Thrower Model 247.88845

Ref. No.	Part No.	Description	Ref. No.	Part No.	Description
1.	05244B	Housing, Bearing	38.	716-0104	E-Ring
2.	618-0279	Dogg, Steering Drive, LH	39.	714-0388	Key, Hi-Pro, 3/16 x 5/8
3.	618-0280	Dogg, Steering Drive, RH	40.	716-0136	Ring, Retaining
4.	618-0282E	Shaft Assembly, Steering	41.	717-0302	Plate, Drive
5.	618-04178	Assembly, Friction Wheel	42.	732-0121	Spring, Extension
	718-04034	Wheel, Friction, Bonded	43.	732-0209	Spring, Extension
	710-0896	Screw, Hex Wash	44.	710-0627	Screw, Hex Cap, 5/16-24 x .750
6.	684-0118B-0637	Bracket, Auger Actuator	45.	736-0158	Washer, Lock, 5/8
7.	684-0119B-0637	Bracket, Drive Actuator	46.	710-0654A	Screw, 3/8-16 x 1.00
8.	684-04235	Sprocket, 32T	47.	634-0225A-0911	Wheel Ass'y. - LH
9.	684-0161-0637	Arm, Shift		634-0226A-0911	Wheel Ass'y. - RH
10.	684-04212-0637	Brkt, Friction Drive Suprt.		734-2031	Tire
11.	684-04103	Rod Assembly, Shift		734-1124A	Rim Assembly
12.	684-04169	Idler Pulley Assembly		734-0255	Valve
13.	710-0538	Screw, Hex Cap Lock,		741-0246A	Bearing
14.	710-0237	Screw, Hex Cap, 5/16-24	48.	711-04615	Pin, Clevis
15.	710-0347	Scr, Hex Cap, 3/8-16 x 1.75	49.	736-0242	Wsh, Bell., .34 x .872 x .06
16.	750-04718	Spchr., .51 ID x 3.66 Lg.	50.	736-0300	Wash, .406 x .875 x .059
17.	710-1652	Screw, Hex Wash.	51.	736-0329	Washer, Lock, 1/4
18.	750-04717	Spchr., .51 ID x 7.895 Lg.	52.	714-0149B	Pin, Internal Cotter
19.	710-3001	Screw, Hex Cap, 3/8-16	53.	737-3000	Fitting, Lube, 3/16 Drive
20.	750-04703	Spchr., 1.0 ID x 1.50 OD	54.	738-0143	Screw, Shldr., .498 x .34
21.	710-0788	Screw, Hex, 1/4-20 x 1.00	55.	738-0279	Spindle, Drive Plate
22.	710-0607	Screw, Hx Wash Hd Tapp	56.	738-0924A	Screw, Hex Shldr., 1/4-28
23.	711-04279	Shaft, Hex Drive	57.	741-0163A	Ass'y, Bearing/Housing
24.	711-04605	Shaft, Actuator	58.	741-04108	Bearing, Hex Flange
25.	716-04048	Ring, Retainer	59.	741-04025	Bearing, Self Aligning
26.	712-0116	Nut, Hex Insert Jam Lock	60.	741-04076	Bearing, Ball
27.	712-0138	Nut, Hex, 1/4-28 GR5	61.	741-0563	Bearing, Ball
28.	710-0624	Screw, Hex Cap, 5/16-24 x 1.50	62.	741-0748	Bush, Flg, .5 ID x .627 OD
29.	712-04065	Nut, Hx Flnge Insert Lk	63.	746-0949A	Cable, Steering
30.	712-0413	Nut, Hx Insert Jam Lk	64.	746-0951	Cable, Auger Idler
31.	710-04484	TT Screw, 5/16-18 x .750	65.	747-0973	Rod, Drive Clutch
32.	712-0717	Nut, Insert 3/8-16	66.	750-0903B	Spchr., .514 x .632 x 2.44
33.	713-0284	Chain, Endless, #41 x 36L	67.	750-0997	Spacer, .675 x 1.0 x .23
34.	713-0286	Chain, #420 x 40L	68.	750-1302B	Spchr, .6725 x 1.125 x 2.48
35.	713-04015	Sprocket, #41 x 10T	69.	756-0344	Pulley, Drive
36.	714-0135	Key, Woodruff	70.	756-0625	Roller, Cable
37.	714-0104	Pin, Internal Cotter	71.	790-00257-0721	Cover, Upper Frame

Continued on following page

PARTS LIST

Craftsman Snow Thrower Model 247.88845

Continued from previous page

Ref. No.	Part No.	Description
72.	790-00259-0721	Cover, Lower Frame
73.	711-04606	Axle, Wheel, 45"
74.	790-00255A-0721	Frame, Transmission
75.	784-0406A-0637	Bracket, Frame Support
76.	784-0407-0637	Bracket, Axle Support
77.	710-0809	Screw, 1/4-20 x 1.25
78.	710-1044	Hex Hd. Screw, 3/8-24 x 1.50 GR8
79.	714-0118	Key, Square, 1/4 x 1.5
80.	726-04012	Nut, Push
81.	731-2531	Cover, Belt
82.	732-04308A	Torsion Spring, .850 dia. x .333 lg.
83.	736-0119	Washer, Lock, 5/16
84.	736-0247	Washer, Flat, .406 x 1.25
85.	736-3092	Washer, Flat, .265 x 1.0 x .030
86.	748-0234	Spacer, Shoulder
87.	748-04112A	Shoulder Spacer, .3175 x .500 x .094
88.	750-04020	Spacer, 1.004 x 1.375 x .25
89.	750-04571	Shoulder Spacer, .260 x .785 x .538
90.	750-04821	Shoulder Spacer, .340 x 1.00
91.	754-0367	V-Belt, 3/8 x 34.4
92.	754-04131	V Belt, 1/2 x 42
93.	756-0178	Pulley, Flat Idler, 2.75 OD
94.	756-0241B	Double Pulley, 3.25 x 2.75
95.	784-0385B	Bracket, Auger Idler
96.	790-00167A-0637	Belt Keeper Bracket
97.	790-00208C	Idler Drive Wheel Bracket
98.	790-00254A-0637	Belt Cover Bracket
99.	GW-1166-1	Washer, Flat, 1.015 x 1.375 x .062
100.	726-0221	Speed Nut, .500

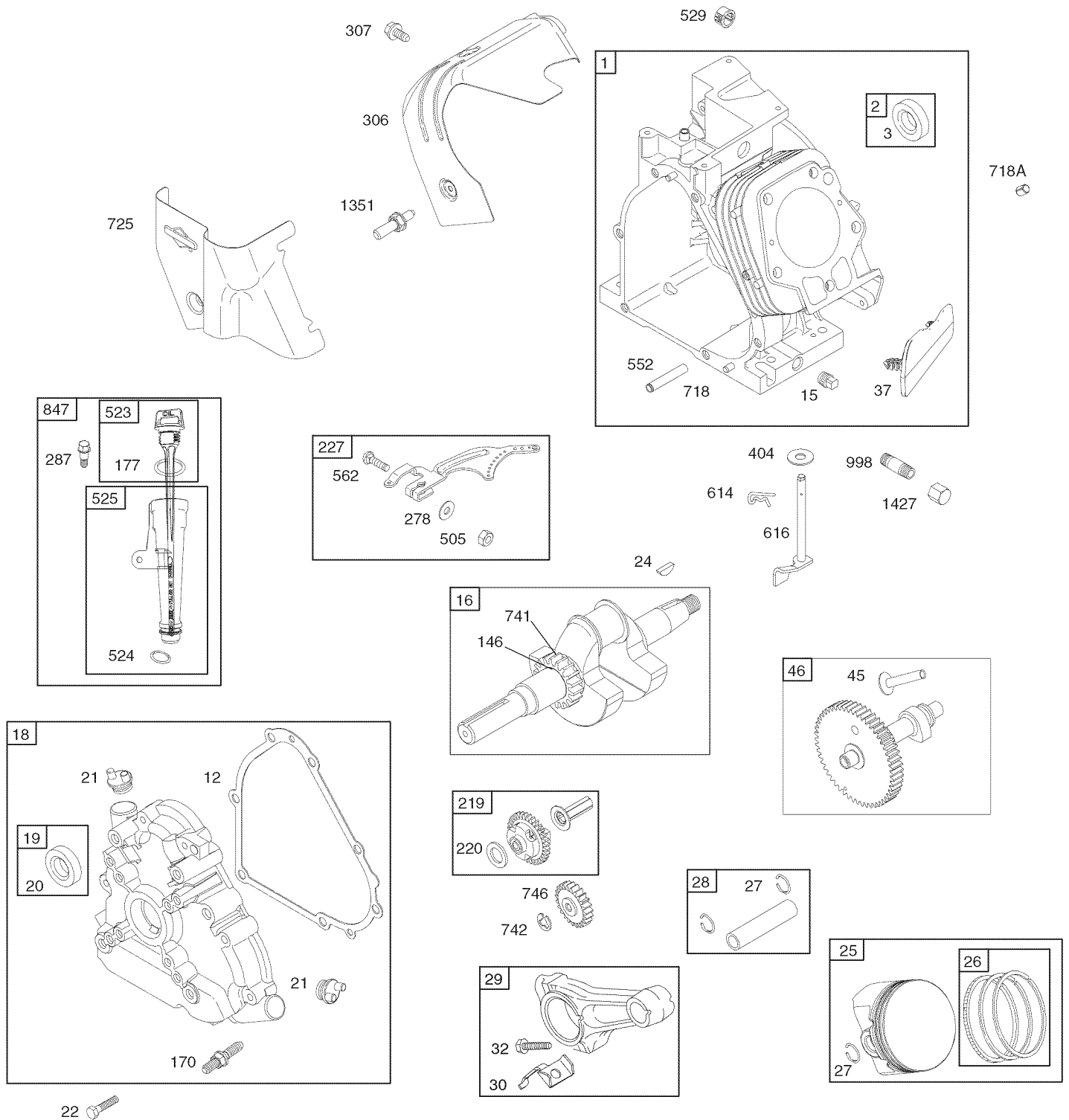
PARTS LIST

Craftsman Engine Model 21M314-0641 For Snow Thrower Model 247.88845

1058 OPERATOR'S MANUAL

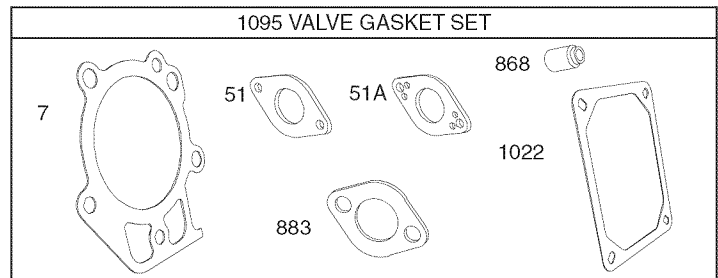
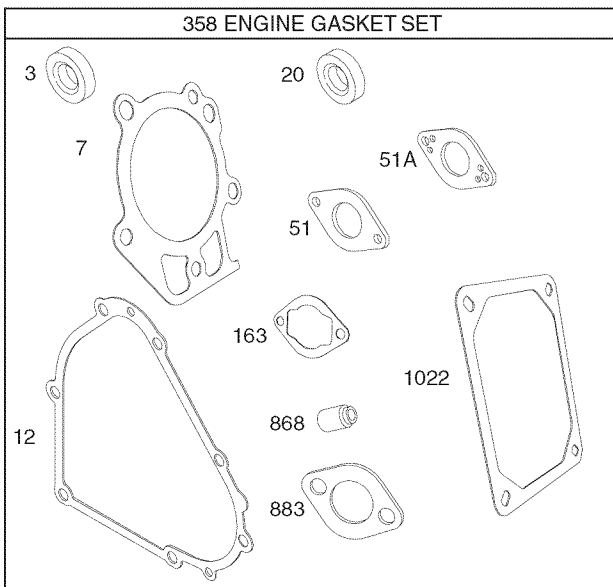
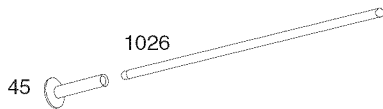
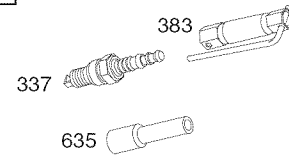
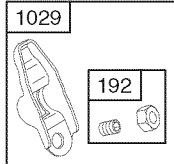
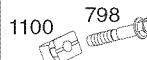
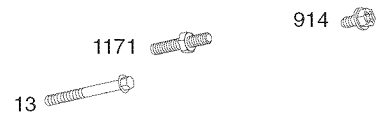
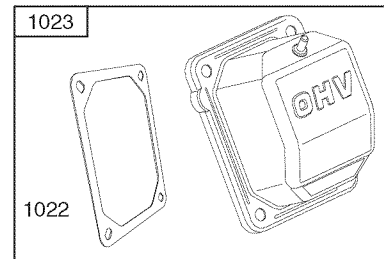
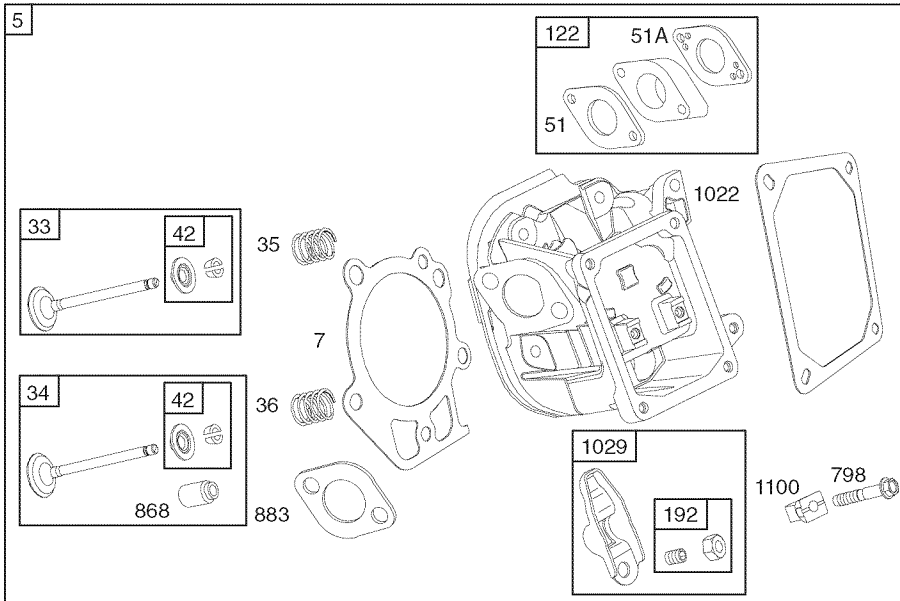
48 SHORT BLOCK

1329 REPLACEMENT ENGINE



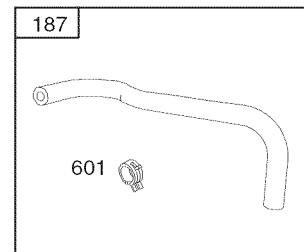
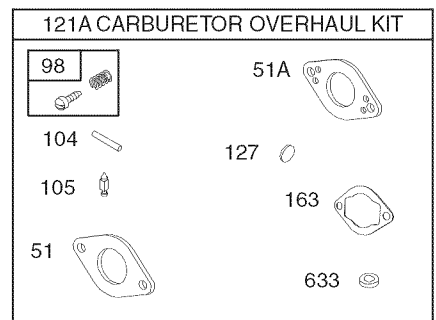
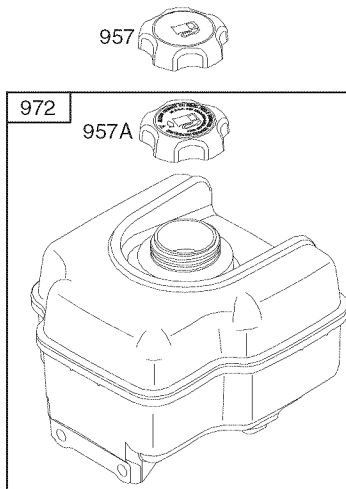
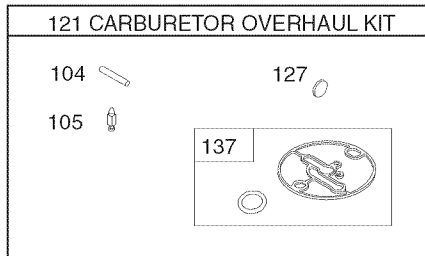
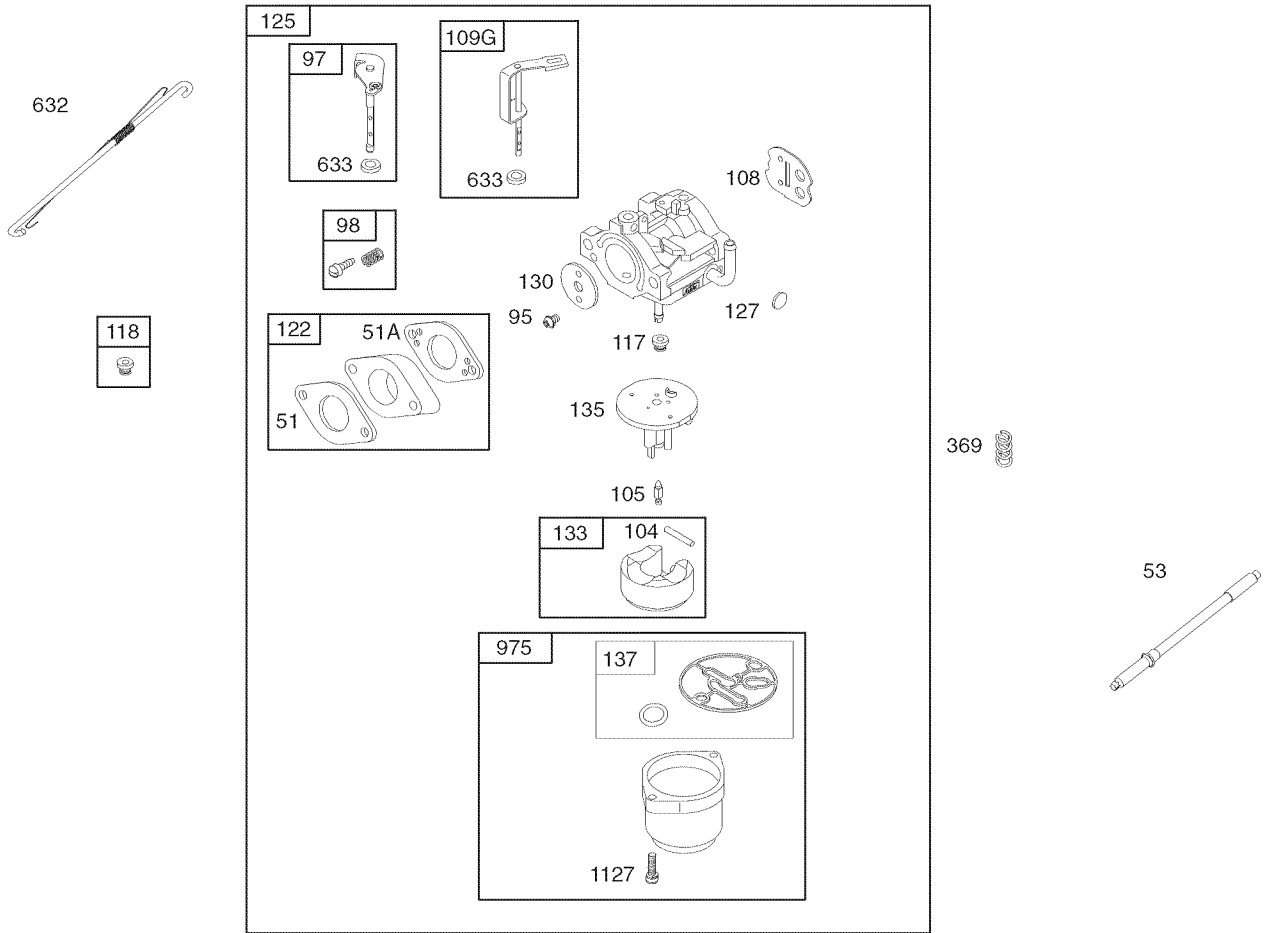
PARTS LIST

Craftsman Engine Model 21M314-0641 For Snow Thrower Model 247.88845



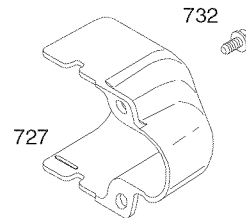
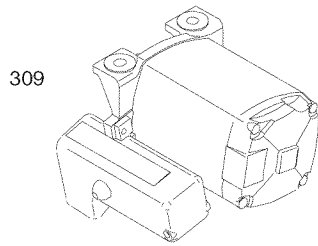
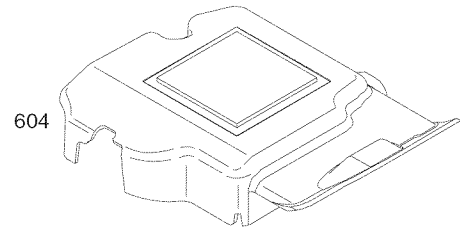
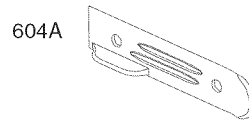
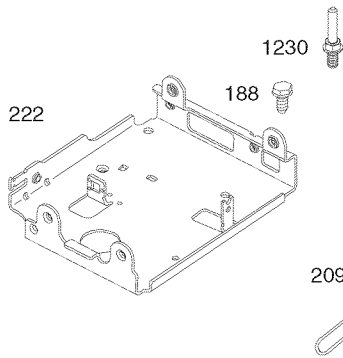
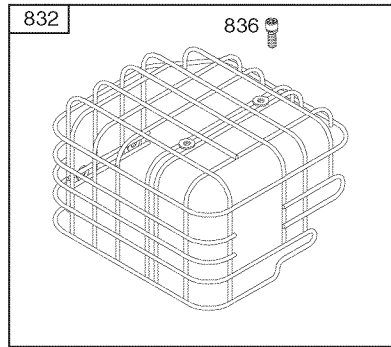
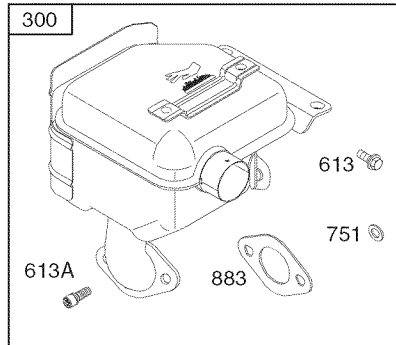
PARTS LIST

Craftsman Engine Model 21M314-0641 For Snow Thrower Model 247.88845



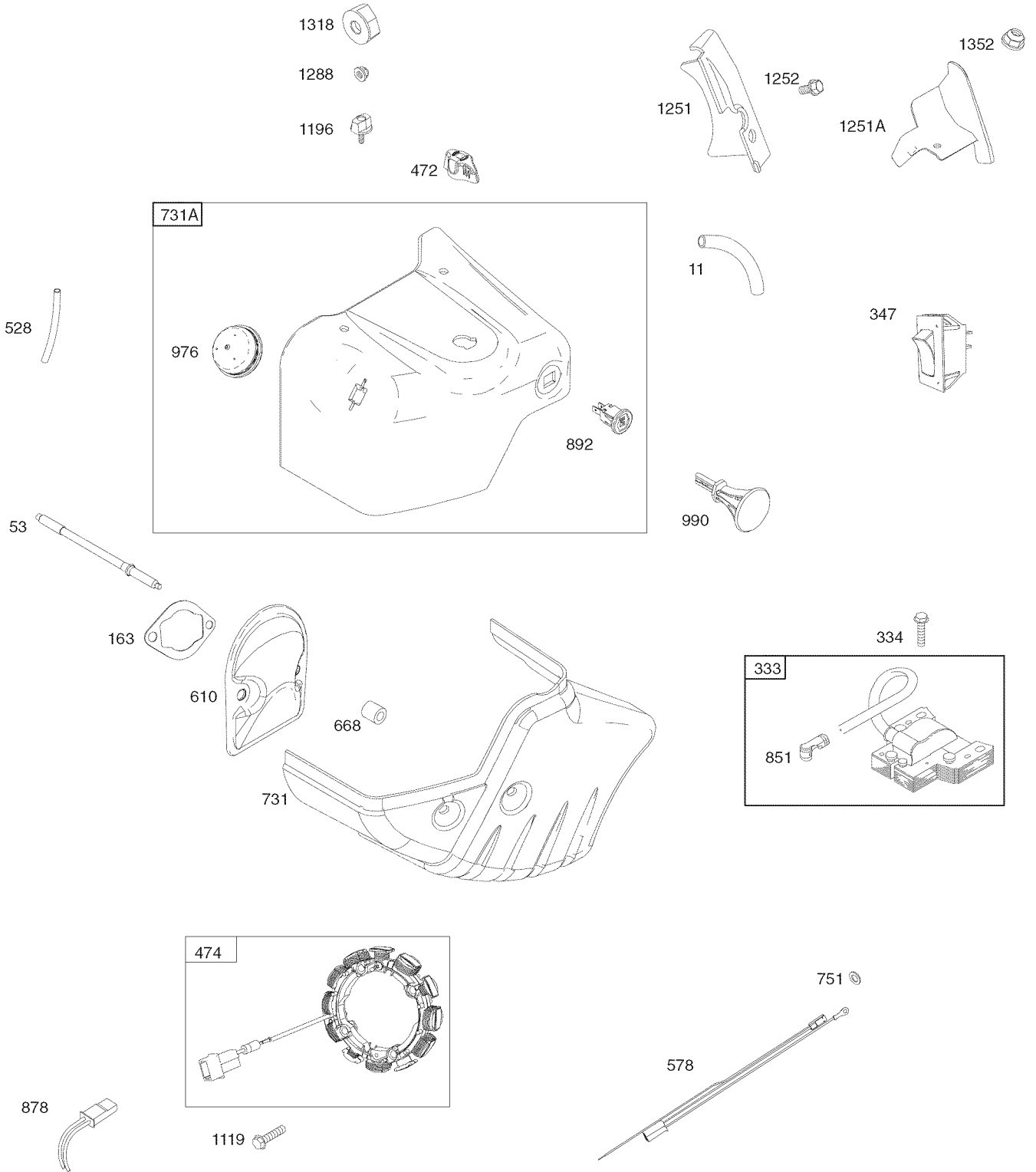
PARTS LIST

Craftsman Engine Model 21M314-0641 For Snow Thrower Model 247.88845



PARTS LIST

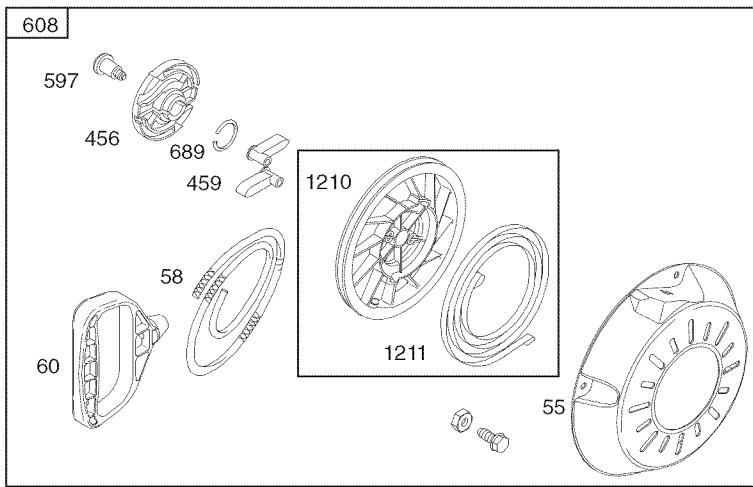
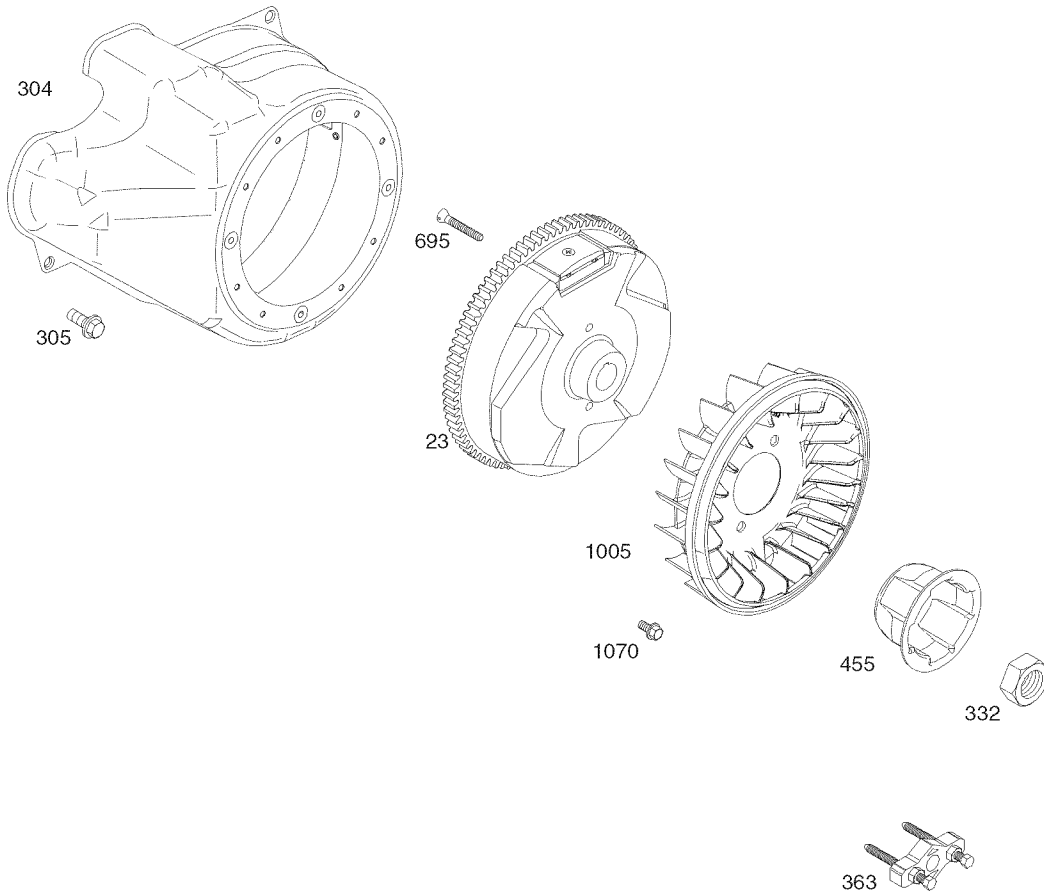
Craftsman Engine Model 21M314-0641 For Snow Thrower Model 247.88845



PARTS LIST

Craftsman Engine Model 21M314-0641 For Snow Thrower Model 247.88845

1036 EMISSIONS LABEL



PARTS LIST

Craftsman Engine Model 21M314-0641 For Snow Thrower Model 247.88845

Ref. No.	Part No.	Description
1	794850	Cylinder Assembly
2	698340	Kit-Bushing/Seal (Magneto Side)
3*	391086s	Seal-Oil (Magneto Side)
5	794871	Head-Cylinder
7*+	697690	Gasket-Cylinder Head
11	696750	Tube-Breather
12*	694953	Gasket-Crankcase
13	794829	Screw (Cylinder Head)
15	691686	Plug-Oil Drain
16	794716	Crankshaft
18	791965	Cover-Crankcase
19	698340	Kit-Bushing/Seal (PTO Side)
20*	391086s	Seal-Oil (PTO Side)
21	281658s	Cap-Oil Fill
22	794825	Screw (Crankcase Cover/Sump)
23	794812	Flywheel
24	222698s	Key-Flywheel
25	793318	Piston Assembly (Standard)
	793325	Piston Assembly (.020" Oversize)
26	793319	Ring Set (Standard)
	793324	Ring Set (.020" Oversize)
27	690975	Lock-Piston Pin
28	696581	Pin-Piston
29	694691	Rod-Connecting
30	694692	Dipper-Connecting Rod
32	690976	Screw (Connecting Rod)
33	499596	Valve-Exhaust
34	795199	Valve-Intake
35	694865	Spring-Valve (Intake)
36	694865	Spring-Valve (Exhaust)
37	795715	Guard-Flywheel
42	499586	Keeper-Valve
45	690977	Tappet-Valve
46	795697	Camshaft
48	794914	Short Block
51*+	694874	Gasket-Intake
51A*+	694875	Gasket-Intake
53	795017	Stud (Carburetor)
55	696710	Housing-Rewind Starter
58	693389	Rope-Starter (Cut To Required Length)

Ref. No.	Part No.	Description
60	699334	Grip-Starter Rope
65	699851	Screw (Rewind Starter)
95^	690718	Screw (Throttle Valve)
97	696387	Shaft-Throttle
98	695408	Kit-Idle Speed
104^	694918	Pin-Float Hinge
105^	696136	Valve-Float Needle
108	696736	Valve-Choke
109	793520	Shaft-Choke
117	796080	Jet-Main (Standard)
		(Used After Code Date: 08050600)
	696134	Jet-Main (Standard)
		(Used Before Code Date: 08050700)
118	796128	Jet-Main (High Altitude)
		(Used After Code Date: 08050600)
	696135	Jet-Main (High Altitude)
		(Used Before Code Date: 08050700)
121	698787	Kit-Carburetor Overhaul
		(Used After Code Date: 08050600)
121A	696146	Kit-Carburetor Overhaul
		(Used Before Code Date: 08050700)
122%	694876	Spacer-Carburetor
125	796122	Carburetor
		(Used After Code Date: 08050600)
	794593	Carburetor
		(Used Before Code Date: 08050700)
127^	690727	Plug-Welch
130	696139	Valve-Throttle
133	694914	Float-Carburetor
135^	698780	Tube-Fuel Transfer
		(Used After Code Date: 08050600)
	696142	Tube-Fuel Transfer
		(Used Before Code Date: 08050700)
137%	698781	Gasket-Float Bowl
		(Used After Code Date: 08050600)
	695426	Gasket-Float Bowl
		(Used Before Code Date: 08050700)
146	690979	Key-Timing
163*%	692277	Gasket-Air Cleaner
170	794833	Stud (Crankcase Cover/Sump)

PARTS LIST

Craftsman Engine Model 21M314-0641 For Snow Thrower Model 247.88845

Ref. No.	Part No.	Description
177	795015	Seal-O Ring (Dipstick)
187	699479	Line-Fuel
188	691693	Screw (Control Bracket)
192	690083	Adjuster-Rocker Arm
209	695491	Spring-Governor
219	693578	Gear-Governor
220	691724	Washer (Governor Gear)
222	794801	Bracket-Control
227	694864	Lever-Governor Control
232	691842	Spring-Governor Link
238	691843	Cap-Valve
278	792008	Washer (Governor Control Lever)
287	699269	Screw (Dipstick Tube)
300	794948	Muffler
304	795699	Housing-Blower
305	699480	Screw (Blower Housing)
306	697240	Shield-Cylinder
307	794822	Screw (Cylinder Shield)
309	793524	Motor-Starter
332	794824	Nut (Flywheel)
333	492341	Armature-Magneto
334	699477	Screw (Magneto Armature)
337	491055s	Plug-Spark
347	698338	Switch-Rocker
358	795201	Gasket Set-Engine
363	19203	Puller-Flywheel
369	695422	Spring-Float Bowl
		(Used Before Code Date: 08050700)
383	19374s	Wrench-Spark Plug
404	795759	Washer (Governor Crank)
455	795011	Cup-Flywheel
456	692299	Plate-Pawl Friction
459	281505s	Pawl-Ratchet
472	791948	Knob-Choke Shaft
474	793118	Alternator
505	691251	Nut (Governor Control Lever)
523	790477	Dipstick
524	691876	Seal-Dipstick Tube
525	792041	Tube-Dipstick
528	793006	Hose-Primer

Ref. No.	Part No.	Description
529	791822	Grommet
552	694674	Bushing-Governor Crank
562	793216	Bolt (Governor Control Lever)
578	792576	Wire Assembly
597	691696	Screw (Pawl Friction Plate)
601	791850	Hose-Clamp
604	696758	Cover-Control
604A	790473	Cover-Control
608	699335	Starter-Rewind
610	794541	Arrester-Intake
613	794846	Screw (Muffler) (Short)
613A	691678	Screw (Muffler) (Torx)
614	691620	Pin-Cotter (Governor Crank)
616	795758	Crank-Governor
632	695917	Spring/Link-Mechanical Governor
633	690998	Seal-Choke/Throttle Shaft
635	691909	Boot-Spark Plug
668	794539	Spacer (Snow Hood)
689	691855	Spring-Friction
695	698807	Screw (Ring Gear)
697	795012	Screw (Drive Cap)
718	690959	Pin-Locating (Cylinder)
718A	695178	Pin-Locating (Cylinder Head)
725	696756	Shield-Heat
727	697465	Cover-Starter Drive
731	794540	Hood-Snow (Bottom)
731A	793621	Hood-Snow
732	699200	Screw (Starter Drive Cover)
735	795901	Cord-Starter
741	691288	Gear-Timing
742	692564	Retainer-E Ring
746	694679	Gear-Idler
751	794839	Washer (Stop Wire)
798	697890	Screw (Rocker Arm)
832	795078	Guard-Muffler
836	699234	Screw (Muffler Guard)
842	691031	Seal-O Ring (Dipstick Tube)
847	795087	Dipstick/Tube Assembly
851	692424	Terminal-Spark Plug
868*+	794086	Seal-Valve

PARTS LIST

Craftsman Engine Model 21M314-0641 For Snow Thrower Model 247.88845

Ref. No.	Part No.	Description
878	398661	Wire/Connector-Alternator
883*+	695398	Gasket-Exhaust
892	791944	Switch-Key
914	794827	Screw (Rocker Cover)
930	696709	Guard-Rewind
957	795027	Cap-Fuel Tank
957A	792647	Cap-Fuel Tank (Fresh Start)
972	694260	Tank-Fuel
975	698783	Bowl-Float
		(Used After Code Date: 08050600)
	696138	Bowl-Float
		(Used Before Code Date: 08050700)
976	695756	Primer-Carburetor
990	794696	Key Set
998	696683	Pipe-Oil
1005	794815	Fan-Flywheel
1022*+	690971	Gasket-Rocker Cover
1023	698042	Cover-Rocker
1026	695177	Rod-Push
1029	690972	Arm-Rocker
1036		Label-Emissions (Available from a Briggs & Stratton Authorized Dealer)

Ref. No.	Part No.	Description
1058	277104	Operator's Manual
1070	794821	Screw (Flywheel Fan)
1095	795200	Gasket Set-Valve
1100	791959	Pivot-Rocker Arm
1119	699772	Screw (Alternator)
1127	695407	Screw (Float Bowl)
1171	794828	Stud (Rocker Cover)
1196	696692	Screw (Snow Hood)
1210	498144	Pulley/Spring Assembly (Pulley)
1211	498144	Pulley/Spring Assembly (Spring)
1230	699847	Stud (Control Bracket)
1251	696762	Shield-Snow
1251A	790471	Shield-Snow
1252	699480	Screw (Snow Shield)
1288	794383	Nut (Snow Shield)
1318	698111	Knob-Snow Hood
1329	21M414-0519-E1	Replacement Engine
1351	794847	Stud (Cylinder Shield)
1352	795016	Nut (Spark Plug Shield)
1427	695757	Cap-Pipe

- * Included in Engine Gasket Set, Key Number 358
- + Included in Valve Gasket Set, Key Number 1095
- ^ Included in Carburetor Overhaul Kit, Key Number 121
- % Included in Carburetor Overhaul Kit, Key Number 121A

NOTES

NOTES

(This page applicable in the U.S.A. and Canada only.)

**Sears, Roebuck and Co., U.S.A. (Sears), the California Air Resources Board (CARB)
and the United States Environmental Protection Agency (U.S. EPA)**

Emission Control System Warranty Statement (Owner's Defect Warranty Rights and Obligations)

EMISSION CONTROL WARRANTY COVERAGE IS APPLICABLE TO CERTIFIED ENGINES PURCHASED IN CALIFORNIA IN 1995 AND THEREAFTER, WHICH ARE USED IN CALIFORNIA, AND TO CERTIFIED MODEL

YEAR 1997 AND LATER ENGINES WHICH ARE PURCHASED AND USED ELSEWHERE IN THE UNITED STATES (AND AFTER JANUARY 1, 2001 IN CANADA).

California and United States Emission Control Defects Warranty Statement

The California Air Resources Board (CARB), U.S. EPA and Sears are pleased to explain the Emission Control System Warranty on your model year 2000 and later small off-road engine (SORE). In California, new small off-road engines must be designed, built and equipped to meet the State's stringent anti-smog standards. Elsewhere in the United States, new non-road, spark-ignition engines certified for model year 1997 and later must meet similar standards set forth by the U.S. EPA. Sears must warrant the emission control system on your

engine for the periods of time listed below, provided there has been no abuse, neglect or improper maintenance of your small off-road engine. Your emission control system includes parts such as the carburetor, air cleaner, ignition system, muffler and catalytic converter. Also included may be connectors and other emission related assemblies. Where a warrantable condition exists, Sears will repair your small off-road engine at no cost to you including diagnosis, parts and labor.

Sears Emission Control Defects Warranty Coverage

Small off-road engines are warranted relative to emission control parts defects for a period of one year, subject to provisions set forth below. If any covered

part on your engine is defective, the part will be repaired or replaced by Sears.

Owner's Warranty Responsibilities

As the small off-road engine owner, you are responsible for the performance of the required maintenance listed in your Operating and Maintenance Instructions. Sears recommends that you retain all your receipts covering maintenance on your small off-road engine, but Sears cannot deny warranty solely for the lack of receipts or for your failure to ensure the performance of all scheduled maintenance. As the small off-road engine owner, you should however be aware that Sears may deny you warranty coverage if your small off-road engine or a part has failed due to abuse, neglect, improper maintenance or unap-

proved modifications. You are responsible for presenting your small off-road engine to an Authorized Sears Service Dealer as soon as a problem exists. The undisputed warranty repairs should be completed in a reasonable amount of time, not to exceed 30 days. If you have any questions regarding your warranty rights and responsibilities, you should contact a Sears Service Representative at 1-800-469-4663. The emission warranty is a defects warranty. Defects are judged on normal engine performance. The warranty is not related to an in-use emission test.

Sears Emission Control Defects Warranty Provisions

The following are specific provisions relative to your Emission Control Defects Warranty Coverage. It is in addition to the Sears engine warranty for non-regulated engines found in the Operating and Maintenance Instructions.

1. Warranted Parts

Coverage under this warranty extends only to the parts listed below (the emission control systems parts) to the extent these parts were present on the engine purchased.

- a. Fuel Metering System
 - Cold start enrichment system
 - Carburetor and internal parts
 - Fuel Pump
- b. Air Induction System
 - Air cleaner
 - Intake manifold
- c. Ignition System
 - Spark plug(s)
 - Magneto ignition system
- d. Catalyst System
 - Catalytic converter
 - Exhaust manifold
 - Air injection system or pulse valve
- e. Miscellaneous Items Used in Above Systems
 - Vacuum, temperature, position, time sensitive valves and switches
 - Connectors and assemblies

2. Length of Coverage

Sears warrants to the initial owner and each subsequent purchaser that the Warranted Parts shall be free from defects in materials and workmanship which caused the failure of the Warranted Parts for a period of one year from the date the engine is delivered to a retail purchaser.

3. No Charge

Repair or replacement of any Warranted Part will be performed at no charge to the owner, including diagnostic labor which leads to the determination that a Warranted Part is defective, if the diagnostic work is performed at an Authorized Sears Service Dealer. For emissions warranty service contact your nearest Authorized Sears Service Dealer as listed in the "Yellow Pages" under "Engines, Gasoline," "Gasoline Engines," "Lawn Mowers," or similar category.

4. Claims and Coverage Exclusions

Warranty claims shall be filed in accordance with the provisions of the Sears Engine Warranty Policy. Warranty coverage shall be excluded for failures of Warranted Parts which are not original Sears parts or because of abuse, neglect or improper maintenance as set forth in the Sears Engine Warranty Policy. Sears is not liable to cover failures of Warranted Parts caused by the use of add-on, non-original, or modified parts.

5. Maintenance

Any Warranted Part which is not scheduled for replacement as required maintenance or which is scheduled only for regular inspection to the effect of "repair or replace as necessary" shall be warranted as to defects for the warranty period. Any Warranted Part which is scheduled for replacement as required maintenance shall be warranted as to defects only for the period of time up to the first scheduled replacement for that part. Any replacement part that is equivalent in performance and durability may be used in the performance of any maintenance or repairs. The owner is responsible for the performance of all required maintenance, as defined in the Sears Operating and Maintenance Instructions.

6. Consequential Coverage

Coverage hereunder shall extend to the failure of any engine components caused by the failure of any Warranted Part still under warranty.

In the USA and Canada, a 24 hour hot line, **1-800-469-4663**, has a menu of pre-recorded messages offering you engine maintenance information.

Look For Relevant Emissions Durability Period and Air Index Information On Your Engine Emissions Label

Engines that are certified to meet the California Air Resources Board (CARB) Tier 2 Emission Standards must display information regarding the Emissions Durability Period and the Air Index. Sears, Roebuck and Co., U.S.A. makes this information available to the consumer on our emission labels.

The Emissions Durability Period describes the number of hours of actual running time for which the engine is certified to be emissions compliant, assuming proper maintenance in accordance with the Operating & Maintenance Instructions. The following categories are used:

Moderate: Engine is certified to be emission compliant for 125 hours of actual engine running time.

Intermediate: Engine is certified to be emission compliant for 250 hours of actual engine running time.

Extended: Engine is certified to be emission compliant for 500 hours of actual engine running time.

For example, a typical walk-behind lawn mower is used 20 to 25 hours per year. Therefore, the **Emissions Durability Period** of an engine with an **intermediate** rating would equate to 10 to 12 years.

The **Air Index** is a calculated number describing the relative level of emissions for a specific engine family. The lower the **Air Index**, the cleaner the engine. This information is displayed in graphical form on the emissions label.

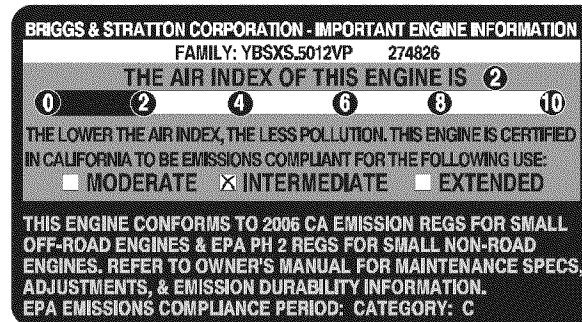
After July 1, 2000, Look For Emissions Compliance Period On Engine Emissions Compliance Label

After July 1, 2000 certain Sears, Roebuck and Co., U.S.A. engines will be certified to meet the United States Environmental Protection Agency (USEPA) Phase 2 emission standards. For Phase 2 certified engines, the Emissions Compliance Period referred to on the Emissions Compliance label indicates the number of operating hours for which the engine has been shown to meet Federal emission requirements.

For engines less than 225 cc displacement, Category C = 125 hours, B = 250 hours and A = 500 hours.

For engines of 225 cc or more, Category C = 250 hours, B = 500 hours and A = 1000 hours.

This is a generic representation of the emission label typically found on a certified engine.



REPAIR PROTECTION AGREEMENT

Congratulations on making a smart purchase. Your new Craftsman® product is designed and manufactured for years of dependable operation. But like all products, it may require repair from time to time. That's when having a Repair Protection Agreement can save you money and aggravation.

Here's what the Repair Protection Agreement* includes:

- **Expert service** by our 10,000 professional repair specialists
- **Unlimited service and no charge** for parts and labor on all covered repairs
- **Product replacement** up to \$1500 if your covered product can't be fixed
- **Discount of 10%** from regular price of service and related installed parts not covered by the agreement; also, 10% off regular price of preventive maintenance check
- **Fast help by phone** – we call it Rapid Resolution – phone support from a Sears representative. Think of us as a “talking owner's manual.”

Once you purchase the Agreement, a simple phone call is all that it takes for you to schedule service. You can call anytime day or night, or schedule a service appointment online.

The Repair Protection Agreement is a risk-free purchase. If you cancel for any reason during the product warranty period, we will provide a full refund. Or, a prorated refund anytime after the product warranty period expires. Purchase your Repair Protection Agreement today!

Some limitations and exclusions apply. For prices and additional information in the U.S.A. call 1-800-827-6655.

***Coverage in Canada varies on some items. For full details call Sears Canada at 1-800-361-6665.**

Sears Installation Service

For Sears professional installation of home appliances, garage door openers, water heaters, and other major home items, in the U.S.A. or Canada call **1-800-4-MY-HOME®**.

ÍNDICE

Declaración de garantía	Página 47
Prácticas operación seguras.....	Página 48
Montaje	Página 50
Operación	Página 54
Servicio y Mantenimiento	Página 58
Almacenamiento fuera de temporada.....	Página 67

Solución de problemas.....	Página 68
Etiquetas de seguridad.....	Página 7
Lista de piezas.....	Página 26
Acuerdo de protección para reparaciones....	Página 71
Número de servicio	atrás página

DECLARACIÓN DE GARANTÍA

CRAFTSMAN GARANTÍA LIMITADA

Dos Años en Lanzador de Nieve

Cuando hecho funcionar y mantenido según todas las instrucciones suministradas, si este lanzador de nieve falla debido a un defecto en material o habilidad dentro de dos años de la fecha o compra, 1-800-4-MY-HOME de llamada ® para hacer los arreglos para la reparación libre.

Esta garantía solicita sólo un año de la fecha de la compra si este lanzador de nieve es usado alguna vez para objetivos de alquiler o publicidad.

Durante el primer año de la compra, no habrá ningún precio para el servicio de garantía en su casa. Para su conveniencia, en de casa el servicio de garantía todavía estará disponible después del primer año de la compra, pero un precio de viaje se aplicará. Este precio será renunciado si usted transporta al lanzador de nieve a un autorizado Craftsman posición de bajada. Para la posición autorizada más cercana, call 1-800-4-MY-HOME®.

Esta garantía cubre SÓLO defectos en material y habilidad. Chamusca no pagará para:

- Los artículos prescindibles que se hacen llevados puestos durante el uso normal, incluso, pero no limitados para patinar zapatos, plato de afeitado, esquilar alfileres, bujía, filtro de aire, cinturones, y filtro del aceite.
- Revisión de mantenimiento estándar, cambios de aceite, o puestas a punto.
- Reemplazo de neumático o reparación causada por pinchazos desde fuera de objetos, como uñas, espinas, tocones, o cristal.
- Neumático o reemplazo de rueda o reparación que resulta de ropa normal, accidente, u operación impropia o mantenimiento.
- Las reparaciones necesarias debido al abuso de operador, incluso pero no limitado para dañar causado afectando objetos que doblan el marco o el cigüeñal, o el sobreexceso de velocidad del motor.
- Reparaciones necesarias debido a negligencia de operador, incluso pero no limitado con, daño eléctrico y mecánico causado por almacenaje impropio, fracaso de usar el grado apropiado y cantidad de petróleo de motor, o fracaso de mantener el equipo según las instrucciones contenidas en el manual del operador.
- Motor (sistema de combustible) la limpieza o las reparaciones causadas por el combustible determinaron de ser contaminadas u oxidado (se vuelven duro). En general, el combustible debería ser usado 30 días después de su fecha de compra.
- El empeoramiento normal y la ropa de los fines exteriores, o producto etiquetan el reemplazo.

Esta garantía se aplica sólo mientras este producto es dentro de los Estados Unidos.

Esta garantía le da derechos legales específicos, y usted también puede tener otros derechos que varían de estado al estado.

Sears, Roebuck and Co., Hoffman Estates, IL 60179

ESPECIFICACIONES DEL PRODUCTO

Tipo de aceite del motor:	SAE 5W-30
Capacidad de aceite del motor:	28 onzas
Capacidad de combustible:	4 cuartos
Bujías:	Champion® RC12YC
Separación de las bujías:	.030"

NÚMERO DE MODELO

Número de modelo

Número de serie

Fecha de compra

Registre arriba el número del modelo, el número de serie y la fecha de compra

INSTRUCCIONES DE SEGURIDAD

⚠ ADVERTENCIA



La presencia de este símbolo indica que se trata de instrucciones importantes de seguridad que se deben respetar para evitar poner en peligro su seguridad personal y/o material y la de otras personas. Lea y siga todas las instrucciones de este manual antes de poner en funcionamiento esta máquina. Si no respeta estas instrucciones podría provocar lesiones personales. Cuando vea este símbolo, ¡preste atención a la advertencia!

Su responsabilidad: Restrinja el uso de esta máquina motorizada a las personas que lean, comprendan y respeten las advertencias e instrucciones que aparecen en este manual y en la máquina.

⚠ PELIGRO

Esta máquina fue construida para ser operada de acuerdo con las reglas de seguridad contenidas en este manual. Al igual que con cualquier tipo de equipo motorizado, un descuido o error por parte del operador puede producir lesiones graves. Esta máquina es capaz de amputar manos y pies y de arrojar objetos con gran fuerza. De no respetar las instrucciones de seguridad siguientes se pueden producir lesiones graves o la muerte.

⚠ ADVERTENCIA

El escape del motor de este producto, algunos de sus componentes y algunos componentes del vehículo contienen o liberan sustancias químicas que el estado de California considera que pueden producir cáncer, defectos de nacimiento u otros problemas reproductivos.

CAPACITACIÓN

- Lea, entienda y cumpla todas las instrucciones incluidas en la máquina y en los manuales antes de montarla y utilizarla. Guarde este manual en un lugar seguro para consultas futuras y regulares, así como para solicitar repuestos.
- Familiarícese con todos los controles y su funcionamiento apropiado. Sepa cómo detener la máquina y cómo desengranar los controles rápidamente.
- No permita nunca que los niños menores de 14 años utilicen esta máquina. Los niños de 14 años y más mayores deben leer y comprender las instrucciones de funcionamiento y las reglas de seguridad contenidas en este manual, y también deben ser capacitados y estar supervisados por uno de los padres.
- Nunca permita que los adultos utilicen esta máquina sin recibir antes la instrucción apropiada.
- Los objetos arrojados por la máquina pueden producir lesiones graves. Planifique el patrón en el que va a ir arrojando nieve para evitar que la descarga de material se realice hacia los caminos, los observadores, etc.
- Mantenga a los observadores, ayudantes, mascotas y niños por lo menos a 75 pies de la máquina mientras la misma está en funcionamiento. Detenga la máquina si alguien entra en la zona.
- Sea precavido para evitar patinarse o caerse especialmente cuando opera la máquina en reversa.

PREPARATIVOS

- Inspeccione minuciosamente el área donde utilizará el equipo. Saque todos los felpudos, periódicos, trineos, tablas, cables y otros objetos extraños con los que podría tropezar o que podrían ser arrojados por la barrena / motor.
- Para protegerse los ojos utilice siempre anteojos o antiparras de seguridad mientras opera la máquina o mientras la ajusta o repara. Los objetos arrojados que rebotan pueden lesionar gravemente la vista.
- No opere la máquina sin la vestimenta adecuada para estar al aire libre en invierno. No utilice alhajas, bufandas largas u otras prendas sueltas que podrían enredarse en las partes móviles. Utilice un calzado especial para superficies resbaladizas.
- Use un prolongador y un tomacorriente de tres cables con conexión a tierra para todas las unidades con motores de encendido eléctrico.
- Ajuste la altura de la caja del tomacorriente para limpiar la grava o las superficies con piedras trituradas.
- Desengrane todas las palancas de control antes de arrancar el motor.
- Nunca intente realizar ajustes mientras el motor está en marcha excepto en los casos específicamente recomendados en el manual del operador.
- Deje que el motor y la máquina se adapten a la temperatura exterior antes de comenzar a sacar la nieve.
- Para evitar lesiones personales o daños materiales sea sumamente cuidadoso al manipular la gasolina. La gasolina es altamente inflamable y sus vapores pueden causar explosiones. Se puede lesionar gravemente si derrama gasolina sobre usted o sobre la ropa ya que se puede prender fuego. Lávese la piel y cámbiese de ropa de inmediato.
- Utilice sólo recipientes para gasolina autorizados.
- Apague todos los cigarrillos, cigarros, pipas y otras fuentes de combustión.
- Nunca cargue combustible en la máquina en un espacio cerrado.
- Nunca saque la tapa del gas ni agregue combustible mientras el motor está caliente o en marcha.
- Deje que el motor se enfríe por lo menos dos minutos antes de volver a cargar combustible.
- Nunca recargue el tanque de combustible. Llene el tanque no más de 1/2 pulgada por debajo de la base del cuello del filtro para dejar espacio para la dilatación del combustible.
- Vuelva a colocar la tapa de la gasolina y ajústela bien.
- Limpie la gasolina derramada sobre el motor y el equipo. Traslade la máquina a otra zona. Espere 5 minutos antes de encender el motor.
- Nunca almacene la máquina o el recipiente de combustible en un espacio cerrado donde haya fuego, chispas o luz piloto (por ejemplo, hornos, calentadores de agua, calefactores, secadores de ropa, etc.).
- Deje que la máquina se enfríe por lo menos 5 minutos antes de guardarla.

INSTRUCCIONES DE SEGURIDAD

OPERACIÓN

- No ponga las manos o los pies cerca de las piezas rotatorias, en la caja de la barrena / motor o en el montaje del canal de descarga. El contacto con las piezas rotatorias puede producir la amputación de manos y pies.
- La palanca de control de la barrena / motor es un dispositivo de seguridad. Nunca pase por alto su funcionamiento. De hacerlo la operación de la máquina es riesgosa y puede ocasionar lesiones.
- Las palancas de control deben funcionar bien en ambas direcciones y regresar automáticamente a la posición de desengrane cuando se las suelta.
- Nunca opere la máquina si falta un montaje del canal o si el mismo está dañado. Mantenga todos los dispositivos de seguridad en su lugar y en funcionamiento.
- Nunca encienda un motor en espacios cerrados o en una zona con poca ventilación. El escape del motor contiene monóxido de carbono, un gas inodoro y letal.
- No utilice la máquina bajo la influencia del alcohol o las drogas.
- El silenciador y el motor se calientan y pueden producir quemaduras. No los toque.
- Sea sumamente precavido cuando opere la máquina sobre una superficie con grava o cuando la cruce. Manténgase alerta por si se presentan peligros ocultos o tránsito.
- Tenga cuidado cuando cambie de dirección o cuando opere la máquina en pendientes.
- Planifique el patrón en el que va a ir arrojando nieve para evitar que la descarga de material se produzca hacia las ventanas, las paredes, los automóviles, etc. y evitar así posibles daños materiales o lesiones producidas por los rebotes.
- Nunca dirija la descarga hacia los niños, los observadores y las mascotas ni deje que nadie se pare delante de la máquina.
- No sobrecargue la capacidad de la máquina tratando de sacar la nieve muy rápidamente.
- Nunca opere esta máquina sin buena visibilidad o iluminación. Siempre debe estar seguro de que está bien afirmado y sostenga bien las manijas. Camine, nunca corra.
- Corte la corriente a la barrena / motor cuando transporte la máquina o cuando la misma no está en uso.
- Nunca opere la máquina a alta velocidad de desplazamiento sobre superficies resbaladizas. Mire hacia abajo y hacia atrás y tenga cuidado cuando vaya marcha atrás.
- Si la máquina comenzara a vibrar de manera anormal, detenga el motor, desconecte el cable de la bujía y póngala de manera que haga masa contra el motor. Inspeccione la máquina minuciosamente para ver si está dañada. Repare todos los daños antes de encender y operar la máquina.
- Desengrane todas las palancas de control y detenga el motor antes de dejar la posición de operación (detrás de las manijas). Espere a que la barrena / motor se detenga por completo antes de destapar el montaje del canal o realizar ajustes e inspecciones.
- Nunca ponga las manos en las aberturas de descarga o de recolección. Utilice siempre la herramienta de limpieza que se adjunta para destapar la abertura de descarga. No destape el montaje del canal mientras el motor está en funcionamiento. Antes de destaparlo, apague el motor y permanezca detrás de las manijas hasta que todas las partes móviles se hayan detenido.
- Use sólo uniones y accesorios aprobados por el fabricante (por ejemplo, pesas para las ruedas, cadenas para los neumáticos, cabinas, etc.).
- Si se presentan situaciones que no están previstas en este manual, sea cuidadoso y use el sentido común. Contacte con su centro de servicio Sears para obtener ayuda.

MANTENIMIENTO Y ALMACENAMIENTO

- Nunca manipule los dispositivos de seguridad de manera imprudente. Controle periódicamente que funcionen de forma adecuada. Remítase a las secciones de mantenimiento y ajuste de este manual.
- Antes de realizar la limpieza, reparar o revisar la máquina, desengrane todas las palancas de control y detenga el motor. Espere a que la barrena / motor se detenga por completo. Desconecte el cable de la bujía y póngalo de manera que haga masa contra el motor para evitar que se encienda de manera accidental.
- Controle frecuentemente que todos los pernos y tornillos estén bien ajustados para comprobar que la máquina se encuentra en condiciones seguras de funcionamiento. Asimismo, realice una inspección visual de la máquina para controlar si la misma está dañada.
- No cambie la configuración del regulador del motor ni acelere demasiado el mismo. El regulador controla la velocidad máxima segura de operación del motor.
- Las placas de raspado y las zapatas antideslizantes que se usan con la máquina quitanieve se desgastan y se dañan. Para proteger su seguridad, verifique frecuentemente todos los componentes y reemplácelos sólo con partes de los fabricantes de equipos originales (OEM). "La utilización de piezas que no cumplan con las especificaciones de equipos originales podría tener como resultado un rendimiento incorrecto, y además la seguridad podría estar comprometida"
- Revise los controles periódicamente para verificar que engranen y desengranen adecuadamente y ajústelos si es necesario. Consulte la sección de ajustes en este manual del operador para obtener instrucciones.
- Mantenga o reemplace las etiquetas de seguridad e instrucciones según sea necesario.
- Respete las normas referentes a la disposición correcta y las regulaciones sobre gas, combustible, etc. para proteger el medio ambiente.
- Antes de almacenar la máquina enciéndala unos minutos para sacar la nieve que haya quedado en la misma y para evitar así que se congele la barrena / motor.
- Nunca almacene la máquina o el recipiente de combustible en un espacio cerrado donde haya fuego, chispas o luz piloto como por ejemplo, calentadores de agua, hornos, secadores de ropa, etc.
- Consulte siempre el manual de funcionamiento para conocer las instrucciones adecuadas para el almacenamiento fuera de temporada.

No modifique el motor

Para evitar lesiones graves o la muerte, no modifique el motor bajo ninguna circunstancia. Si cambia la configuración del regulador el motor puede descontrolarse y operar a velocidades inseguras. Nunca cambie la configuración de fábrica del regulador del motor.

MONTAJE

NOTA: Las referencias a lado derecho o izquierdo de la máquina quitanieve se determinan situándose detrás de la unidad en posición de operación (permaneciendo directamente detrás de la máquina quitanieve, mirando hacia el panel de la manija).

EXTRACCIÓN DE LA UNIDAD DEL CAJÓN

1. Retire los tornillos y grapas de la parte superior, los lados y extremos del cajón de embalaje.
2. Retire el panel para evitar que se pinchen los neumáticos o que se produzcan lesiones personales.
3. Retire y descarte la bolsa de plástico que cubre la unidad.
4. Quite cualquier parte suelta que se incluya con la unidad (es decir, el manual del operador, etc.).
5. Apriete en mangos y saque la unidad atrás del cajón.
6. Asegúrese de vaciar completamente el cajón antes de desecharlo.

MONTAJE

1. Asegúrese de que los resortes del extremo inferior de la barrena y los cables de la transmisión estén enganchados firmemente en el respectivo soporte del accionador.
 - a. Coloque la palanca de cambios en posición F6.
 - b. Extraiga la perilla en estrella y el tornillo del carro a cada lado de la manija superior. Tire hacia arriba de la manija superior según se muestra en la Figura 1. Alinee la manija superior con la manija inferior. Asegúrese de que los resortes del extremo inferior de la barrena y los cables de la transmisión estén enganchados firmemente en el respectivo soporte del accionador.
2. Sujete la manija superior y la manija inferior con las dos perillas de mariposa y los pernos del carro que se retiraron antes.
 - a. Apriete las dos perillas de mariposa ya instaladas en los orificios superiores para sujetar firmemente la manija superior y los tubos de soporte.
3. Alinee las varillas de cambios inferior y superior, luego deslice el conector de la varilla de cambios hacia abajo, por encima del extremo de la varilla de cambios inferior. Dé unos golpecitos en el conector hasta que la varilla inferior atraviese totalmente el conector. Vea la Figura 2.

NOTA: Si el conector no está montado correctamente, la varilla de cambio girará y no podrá cambiar velocidades ni la dirección.

NOTA: Si no se puede alcanzar el rango total de velocidades (marcha atrás o hacia adelante), consulte la sección "Realizar ajustes".

4. a. Retire el pasador de chaveta interno de la manivela del canal superior. Deslice la manivela del canal superior en el manguito de la manivela del canal inferior. Vea la Figura 3.
 - b. Alinee el orificio en la manivela del canal superior con el orificio del manguito (si es necesario, use un par de pinzas para ayudar a alinear los orificios). Inserte el pasador de chaveta interno a través de los orificios para sujetar la manivela del canal. Vea la Figura 3.
5. Retire las tuercas de seguridad y los tornillos que sujetan uno de los fijadores de brida al conjunto del canal.
 6. Coloque el conjunto del canal sobre la base del canal según se muestra en la Figura 4, asegurándose de que las muescas engranen con el extremo en espiral del control direccional del canal.

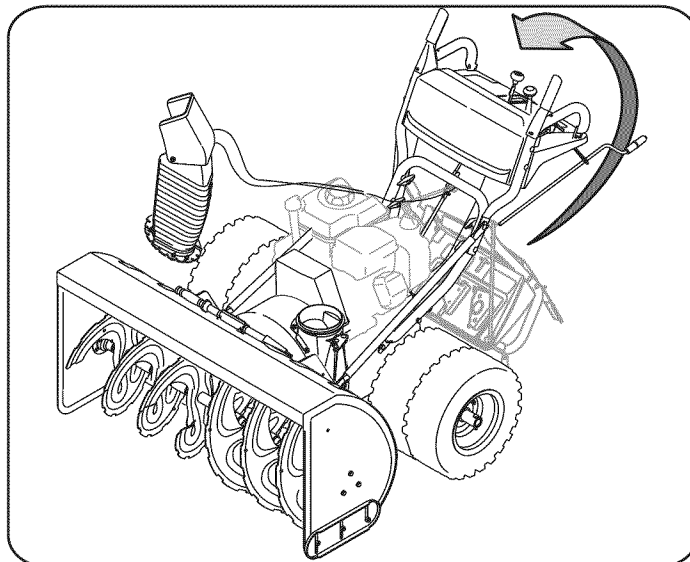


Figura 1

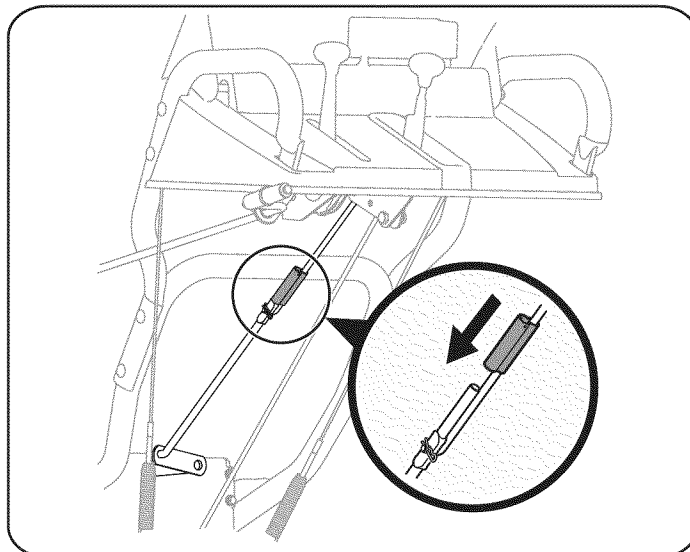


Figura 2

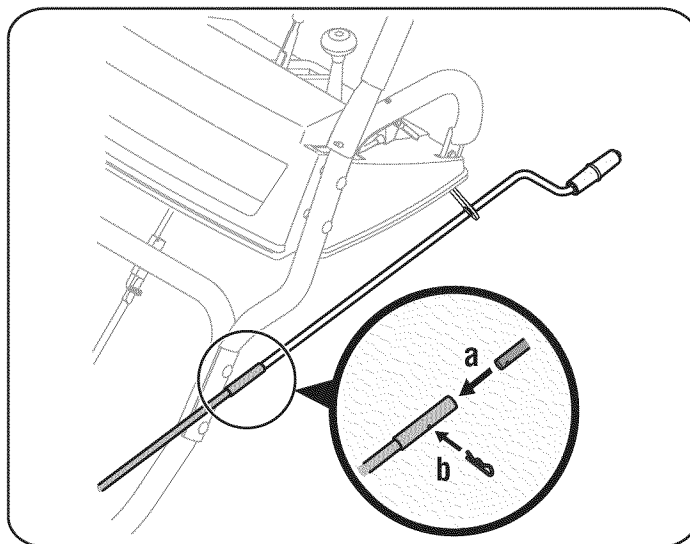


Figura 3

MONTAJE

7. Sujete el fijador de brida que se retiró antes con las tuercas de seguridad y los tornillos. Apriete las tuercas que sujetan los otros dos fijadores de brida. Vea la Figura 5.
8. Si todavía no lo ha hecho, deslice los cables que van desde el panel de la manija al canal de descarga dentro de la guía del cable ubicada en la parte superior del motor.
9. Si todavía no lo ha hecho, enrolle el cable del cableado del faro delantero debajo de la manija derecha hasta que el cable se pueda conectar en el conector de cable del alternador del motor en el motor.
10. Normalmente las uniones de cable que sostienen los cables de dirección contra la manija son instalados flojos a cada lado de la manija inferior, en fábrica. Tire de las uniones de cable para sujetarlas firmemente. Corte el exceso de los extremos de las uniones de cable.

El prolongador se ajusta mediante una unión de cable a la parte posterior de la caja de la barrena para el embarque. Corte la unión de cable y retírela antes de operar la máquina quitanieve.

CONFIGURACIÓN

Herramienta de limpieza del canal

Hay una herramienta de limpieza del canal ajustada a la parte superior de la caja de la barrena con un pasador de ensamblado. Vea la Figura 6. La herramienta está diseñada para limpiar el hielo y la nieve del conjunto de canal. Este producto se sujeta mediante una unión de cable en fábrica. Corte la unión de cable antes de operar la máquina quitanieve.

⚠ ADVERTENCIA

Nunca use las manos para despejar un conjunto de canal tapado. Apague el motor y permanezca detrás de las manijas hasta que todas las partes móviles se hayan detenido antes de utilizar la herramienta de limpieza para despejar el conjunto del canal.

Cortadores de desplazamiento de nieve

1. Retire los dos tornillos y arandelas de seguridad que sujetan cada cortador de desplazamiento de nieve y retírelos de los lados de la caja de la barrena.
2. Gire los cortadores de desplazamiento de nieve y posícionelos según se muestra en la Figura 7 hacia el exterior de la caja de la barrena.
3. Acople los cortadores de desplazamiento de nieve con los tornillos y las tuercas de seguridad que se retiraron antes.

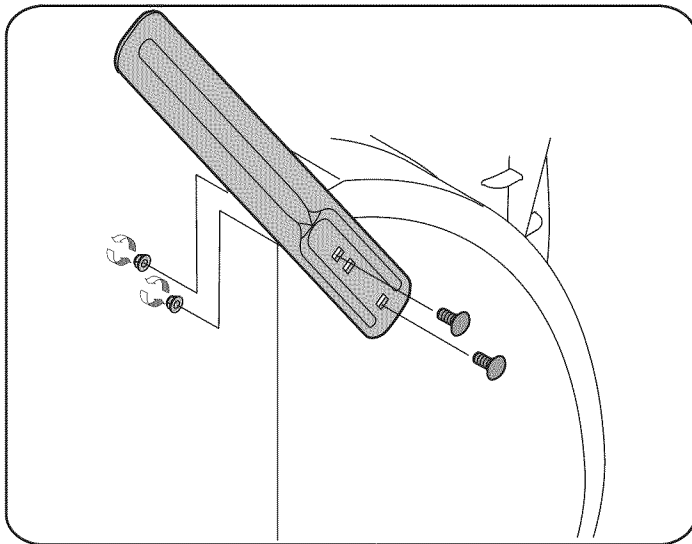


Figura 7

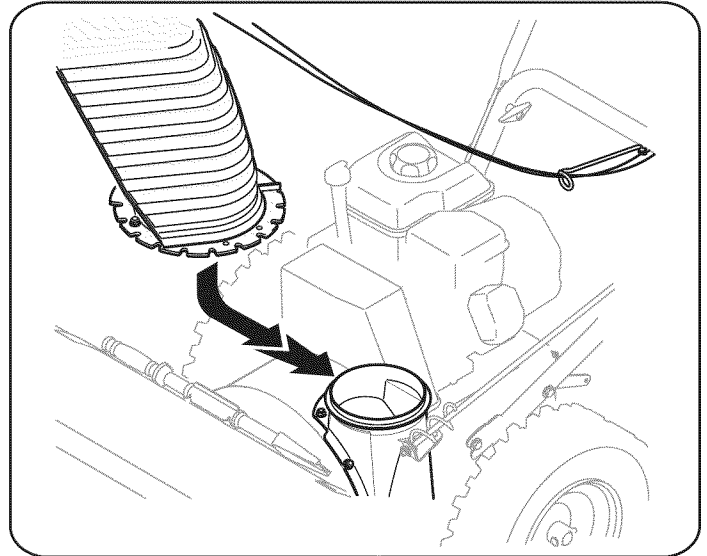


Figura 4

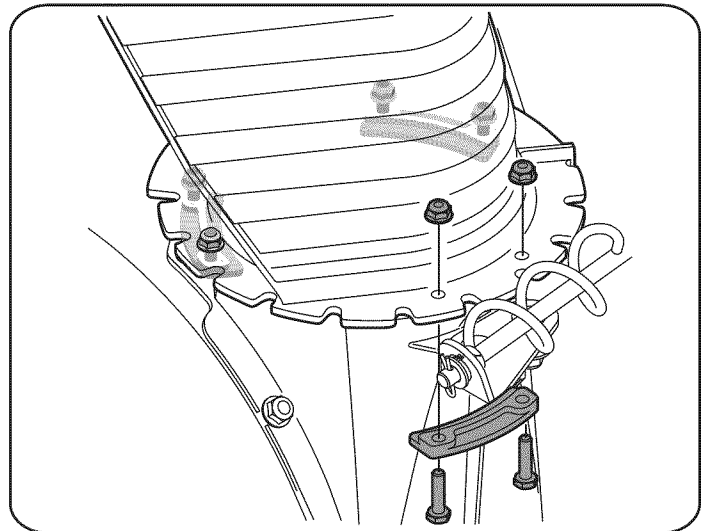


Figura 5

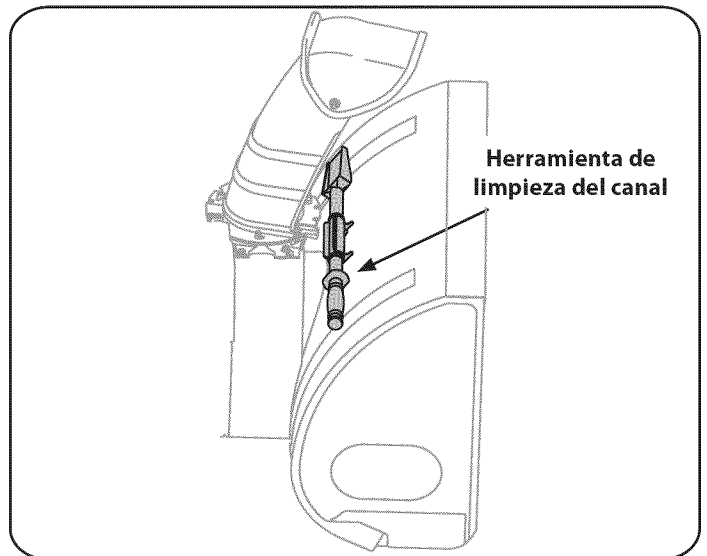


Figura 6

MONTAJE

Presión de los neumáticos

Antes del funcionamiento, compruebe la presión de neumático. Refiérase al flanco de neumático para el fabricante de neumático exacto ha recomendado o máximo psi.

NOTA: Si la presión de los neumáticos no es igual en ambos neumáticos, es posible que la unidad no siga una trayectoria recta y que la placa de raspado se desgaste de forma despareja.

AJUSTES

Zapatas antideslizantes

Las zapatitas antideslizantes de la máquina quitanieve se ajustan hacia arriba en fábrica, para el envío. Si lo desea, puede ajustarlas hacia

⚠ PRECAUCIÓN

Se recomienda no operar esta máquina quitanieve sobre grava ya que la unidad puede recoger y lanzar grava suelta fácilmente, causando lesiones personales o daños a la máquina y los objetos que la rodean.

abajo antes de hacer funcionar la máquina quitanieve.

- Si desea quitar la nieve al ras en una superficie lisa, eleve a mayor altura las zapatitas antideslizantes de la caja de la barrena.
- Use las posiciones intermedia o baja cuando la superficie que desee limpiar es despareja, por ejemplo en un camino de grava.

NOTA: Si tiene que usar la máquina quitanieve sobre grava, mantenga las zapatitas antideslizantes en la posición que permita lograr una separación máxima entre el piso y la placa de raspado.

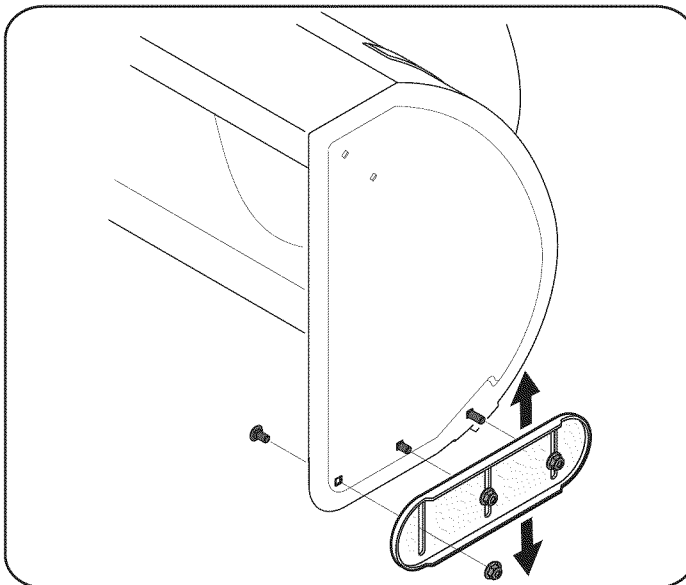


Figura 8

Para ajustar las zapatitas antideslizantes:

1. Afloje las seis tuercas hexagonales (tres a cada lado) y los pernos del carro. Mueva las zapatitas antideslizantes a la posición deseada. Vea la Figura 8.
2. Compruebe que toda la superficie inferior de las zapatitas antideslizantes está contra el suelo para evitar el desgaste desparejo de las mismas.

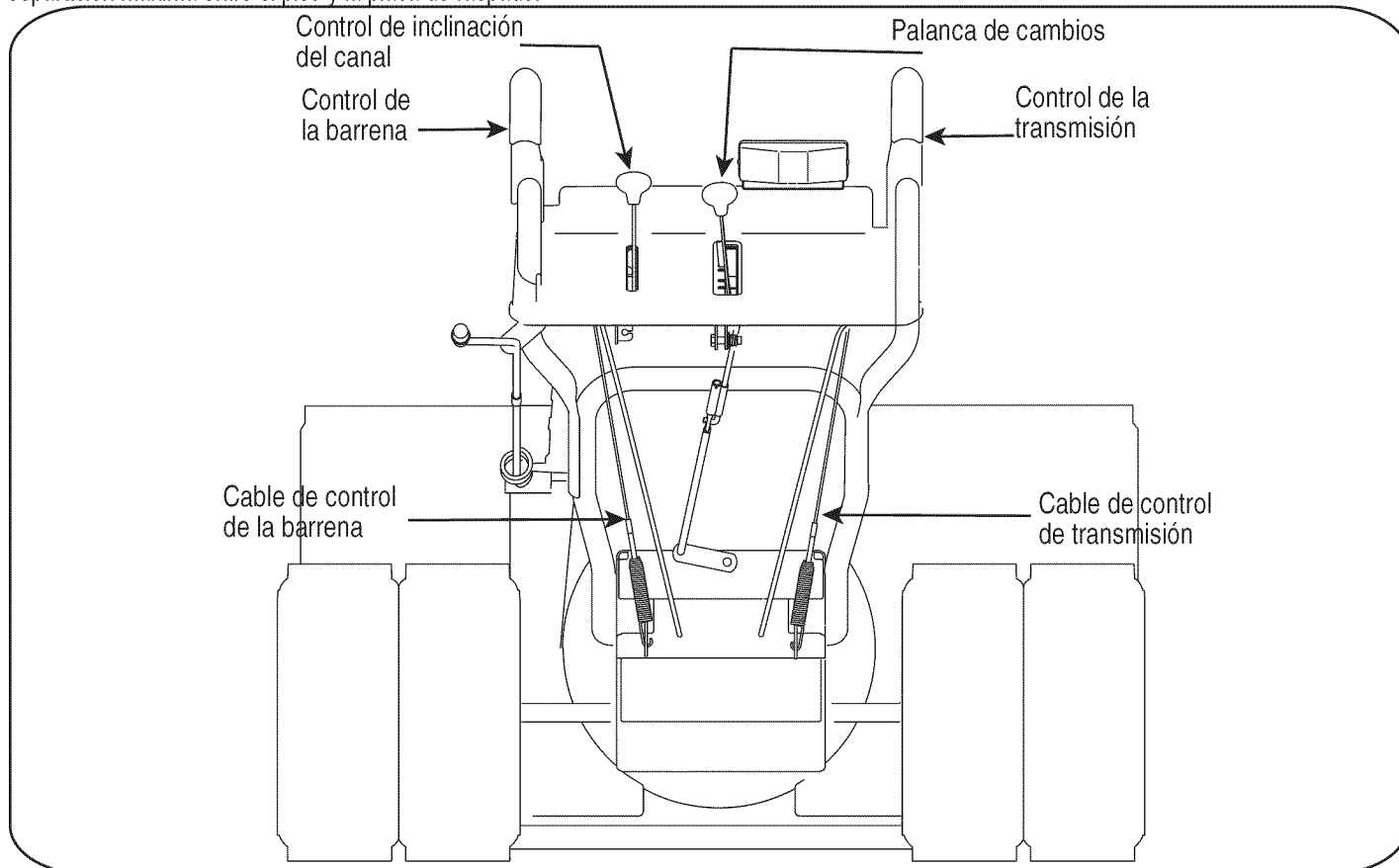


Figura 9

MONTAJE

3. Vuelva a ajustar bien las tuercas y los pernos.

Prueba del control de la transmisión de la barrena

⚠ ADVERTENCIA

Antes de operar su máquina quitanieve, lea atentamente y cumpla todas las instrucciones que aparecen a continuación. Realice todos los ajustes para verificar que la máquina está operando con seguridad y correctamente.

Cuando se suelta el control de la barrena y está en posición desengranada arriba, el cable debe tener muy poco juego, pero NO debe estar ajustado.

1. En un área bien ventilada, arranque el motor de la máquina quitanieve según se indica en la sección Funcionamiento.
2. Ubicado en la posición del operador (detrás de la máquina quitanieve), engrane el control de la barrena y deje que la barrena quede engranada durante aproximadamente diez segundos antes de soltar el control de la barrena. Repita esta operación varias veces.
3. Con el control del taladro en la posición desengranada llega, pasee hacia el frente de la máquina. Confirme que el taladro debería haber dejado de dar vuelta completamente y no muestra ningún signo del movimiento.
4. Si la barrena muestra algún signo de rotación, vuelva inmediatamente a la posición del operador y apague el motor. Espere a que todas las partes móviles se detengan antes de volver a ajustar el cable de control de la barrena.

Prueba de control de transmisión y palanca de cambios

Consulte la Figura 9 para ver la ubicación de los controles.

1. Coloque la palanca de cambios en la sexta (6) posición.
2. Con el control de transmisión en las ruedas suelto, empuje la máquina quitanieve hacia adelante, luego tire de la misma hacia atrás. La máquina se debe mover libremente.
3. Engrane el control de transmisión e intente mover la máquina hacia adelante y hacia atrás, se debe sentir resistencia.
4. Mueva la palanca de cambios en posición marcha atrás (R2) rápida y repita los dos pasos previos.

Si experimenta resistencia para hacer rodar la unidad, ya sea reposicionando la palanca de cambios de 6 a R2 o cuando intenta mover la máquina con el control de transmisión suelto, ajuste el control de transmisión inmediatamente. Vea Ajuste de transmisión y controles de barrena.

Vea Ajuste de transmisión y controles de barrena.

1. Desde debajo de la manija, tire hacia abajo en el cable que corresponda y desenganche el resorte que se encuentra en el extremo del cable desde el soporte del accionador respectivo. Consulte las Figuras 9 y 10.
2. Deslice el resorte hacia arriba del cable para dejar expuestas las roscas del acoplador de cable y la tuerca de seguridad. Consulte la Figura 11.
3. Si ajusta el cable de transmisión, enrosque la tuerca de seguridad hacia afuera (hacia abajo del acoplador) para prolongar el cable y permitir que la unidad se mueva libremente al aflojar el control. Enrosque la tuerca de seguridad hacia adentro (hacia arriba del acoplador) para acortar el cable, reducir el deslizamiento y evitar

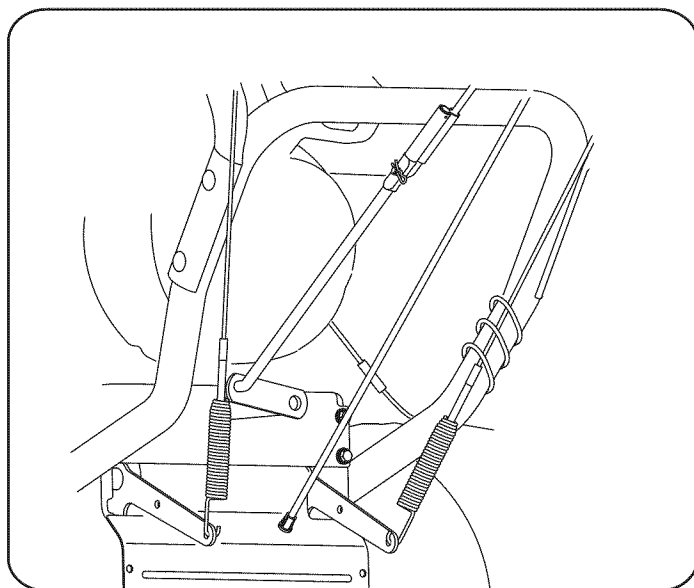


Figura 10

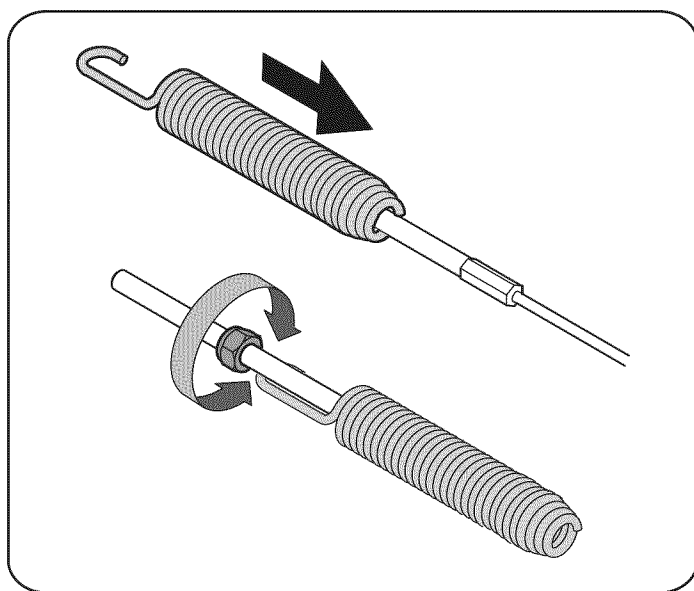


Figura 11

⚠ ADVERTENCIA

No ajuste demasiado el cable. El ajuste excesivo puede impedir que la barrena se desengrane y poner en peligro la seguridad de la máquina quitanieve.

4. Si ajusta el cable de la barrena, enrosque la tuerca de seguridad hacia abajo para prolongar el cable cuanto sea necesario para detener el giro de la barrena cuando se afloja el control.
5. Vuelva a acoplar el resorte al soporte del accionador.
6. Repita las pruebas de control de la transmisión en las ruedas y de la barrena para verificar el ajuste correcto. Si es necesario, repita los pasos previos para alcanzar el ajuste adecuado de cada cable.

OPERACIÓN

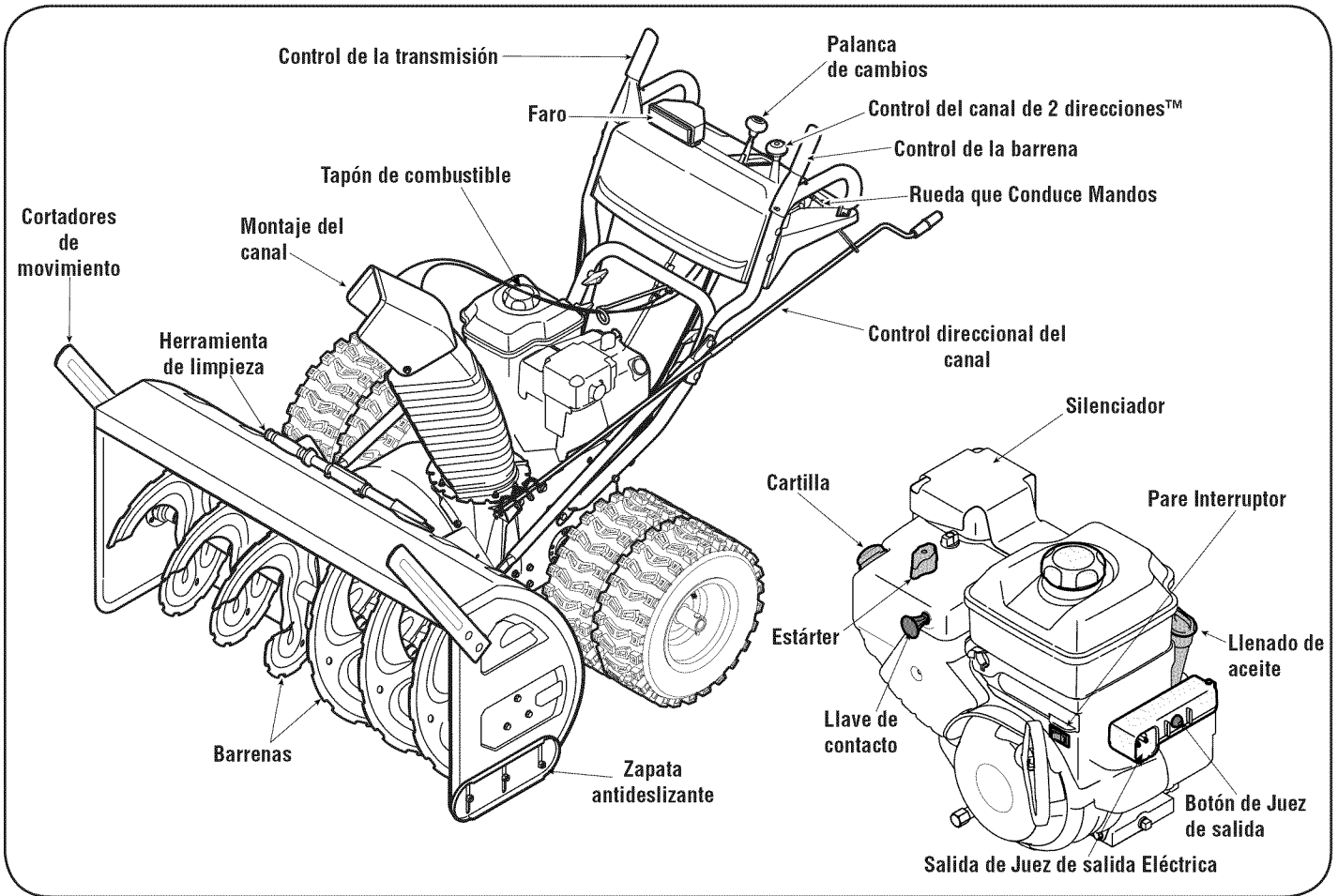


Figura 11

Ahora que ya ha ajustado su la máquina quitanieve para la operación, familiarícese con sus controles y características. Vea la Figura 11.

PALANCA DE CAMBIOS

La palanca de cambios está ubicada en el lado derecho del panel de mango. Sitúe la palanca de cambios en cualquiera de las ocho posiciones para controlar la dirección del desplazamiento y la velocidad de piso.

Avance

Hay cinco posiciones de avance (F). La posición uno (1) es la más lenta, y la posición seis (6) es la más rápida.

Retroceso

Hay dos velocidades de retroceso (R). La uno (1) es la más lenta, y la dos (2) es la más rápida.

FARO

El faro es localizado encima del panel de mango. Puede ser ajustado soltando los tornillos en cada lado del alojamiento ligero, giro de la luz o abajo, y nuevo apretamiento de los tornillos.

LLAVE DE ENCENDIDO

La llave de encendido es un dispositivo de seguridad. Debe estar completamente insertada para que el motor arranque. Retire la llave de encendido cuando no use la máquina quitanieve.

6
5
4
3

NOTE: No gire la llave de encendido para intentar arrancar el motor. Al hacerlo podría romperla.

2
↑
F 1
R 1
R 2

CONTROL DE OBTURACIÓN

El control de obturación se encuentra en la parte posterior del motor, y se activa haciendo girar la perilla en sentido de las agujas del reloj. Al activar el control de obturación se cierra la placa de obturación del carburador y se ayuda a encender el motor.



CONTROL DEL ESTRANGULADOR

El control del estrangulador está ubicado en el motor. Regula la velocidad del motor, y lo apaga cuando mueva el control a la posición STOP.

Cumple con los estándares de seguridad de ANSI

Las máquinas quitanieve de Craftsman cumplen con los estándares de seguridad del instituto estadounidense de estándares nacionales (ANSI).

OPERACIÓN

MANIJA DEL ARRANCADOR DE RETROCESO

Esta manija se utiliza para arrancar el motor manualmente.

BOTÓN DEL ARRANCADOR ELÉCTRICO

Si oprime el botón del arrancador eléctrico se engrana el arrancador eléctrico del motor cuando se lo enchufa a una fuente de energía de 120V.

SALIDA DEL ARRANCADOR ELÉCTRICO

Es necesario usar un cordón prolongador para exteriores de tres espigas y una fuente de energía / tomacorriente de pared de 120V.

BARRENAS

Cuando están en granadas, las barreras giran y retiran la nieve al interior de la caja de la barrena.

MONTAJE DEL CANAL

La nieve retirada al interior de la caja de la barrena se descarga en el montaje del canal.

CEBADOR

Al presionar el cebador se envía combustible directamente al carburador del motor para ayudar al encendido cuando el clima es frío.

LLENADO DE ACEITE

Es posible controlar el nivel de aceite del motor, así como también agregar aceite, a través del llenado de aceite.

TAPÓN DE COMBUSTIBLE

Desenrosque el tapón de combustible para agregar gasolina al tanque de combustible.

ZAPATAS ANTIDESLIZANTES

Ubique las zapatas antideslizantes en función de las condiciones de la superficie. Ajuste hacia arriba si la nieve está muy compactada. Ajústelas hacia abajo si usa la máquina en gravas o superficies con piedras trituradas.

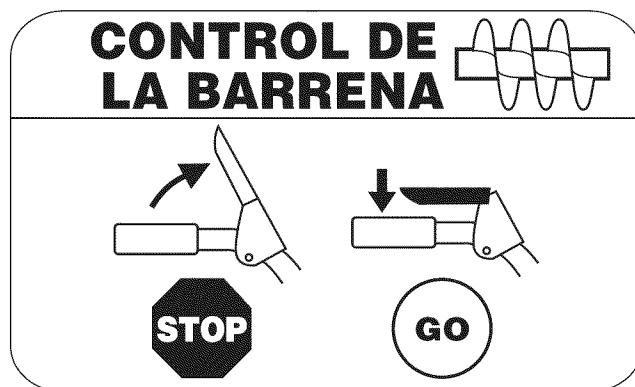
CORTADORES DE MOVIMIENTO

Los cortadores de movimiento son diseñados para el uso en la nieve profunda. Su uso es opcional para condiciones de nieve normales.

CONTROL DE LA BARRENA

El control de la barrena está ubicado en la manija izquierda. Apriete la empuñadura de control contra la manija para engranar las barrenas y empiece a quitar nieve. Suelte para que se detenga.

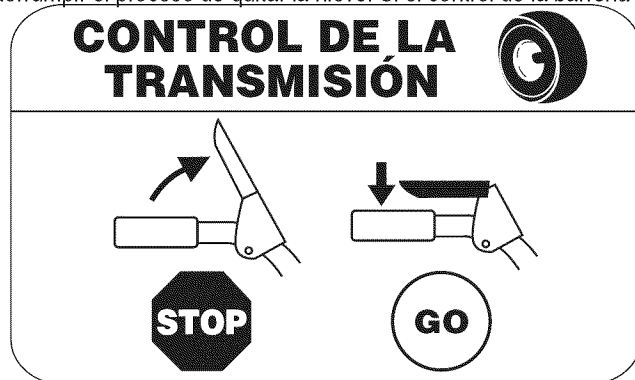
CONTROL DE LA TRANSMISIÓN/ CONTROL



DE LA BARRENA DE CERRADURA

El control de transmisión está ubicado en la manija derecha. Presione la empuñadura de control contra la manija para engranar la rueda de transmisión. Suelte para que se detenga.

El control de la transmisión también bloquea el control de la barrena de manera que puede operar el control direccional del canal sin interrumpir el proceso de quitar la nieve. Si el control de la barrena se



engrana simultáneamente con el control de transmisión, el operador puede soltar el control de la barrena (en la manija izquierda) y las barrenas continuarán engranadas. Suelte ambos controles para detener tanto las barrenas como la transmisión de las ruedas.

NOTA: Suelte siempre el control de la transmisión antes de cambiar de velocidad. De no proceder así, aumentará el desgaste del sistema de transmisión de su máquina.

RUEDA QUE CONDUCE MANDOS

La rueda izquierda y derecha que conduce mandos es localizada en la parte oculta de los mangos. Apriete el control derecho para dar vuelta a la derecha; apriete el control izquierdo para dar vuelta a la izquierda.

NOTA: Haga funcionar al lanzador de nieve en áreas abiertas hasta que usted sea familiar con estos mandos.

CONTROL DEL CANAL DE 2 DIRECCIONES™

La nieve de distancia es lanzada puede ser cambiado ajustando el ángulo de la asamblea de tolva. Avance el control de inclinación de tolva para disminuir la distancia, hacia el reverso para aumentar.

OPERACIÓN

CONTROL DIRECCIONAL DEL CANAL

La control direccional del canal es localizada en el lado izquierdo del lanzador de nieve.

- Para cambiar la dirección hacia la cual se arroja la nieve, gire en sentido de las agujas del reloj para descargar la nieve hacia la izquierda, y en dirección contraria de las agujas del reloj para descargarla hacia la derecha.

HERRAMIENTA DE LIMPIEZA

La herramienta de limpieza del canal está ajustada convenientemente a la parte posterior de la caja de la barrena con un pasador de ensamblado. Si se acumulan nieve y hielo en el canal de descarga durante la operación, proceda como se indica a continuación para limpiar de manera segura el montaje del canal y la abertura del canal:

1. Suelte el control de la barrena y el control de la transmisión.

ADVERTENCIA

Nunca use sus manos para liberar un montaje de canal tapado. Antes de destaparlo, apague el motor y permanezca detrás de las manijas hasta que todas las partes móviles se hayan detenido.

2. Para detener el motor saque la llave de encendido.
3. Saque la herramienta de limpieza del pasador que la ajusta a la parte posterior de la caja de la barrena.
4. Use el extremo con forma de pala de la herramienta de limpieza para desplazar y recoger la nieve y el hielo que se formaron cerca del conjunto del canal.
5. Vuelva a ajustar la herramienta de limpieza al pasador de ensamblado ubicado en la parte posterior de la caja de la barrena, inserte de nuevo la llave de encendido y encienda el motor de la máquina quitanieve.
6. Parado en la posición del operador (detrás de la máquina quitanieve), engrane el control de la barrena durante unos segundos para eliminar la nieve o el hielo que hayan quedado en el conjunto del canal.

ANTES DE ENCENDER EL MOTOR

Aceite

El motor se envió con aceite en el motor. Controle el nivel de aceite antes de cada operación para asegurarse de que haya aceite suficiente en el motor. Para obtener más instrucciones, remítase a los pasos que aparecen en la página 51.

ADVERTENCIA

Lea, comprenda y siga todas las instrucciones y advertencias que aparecen en la máquina y en este manual antes de operarla.

1. Saque la varilla del nivel de aceite del orificio de llenado de aceite.
2. Controle y compruebe que el nivel de aceite esté hasta arriba en la marca FULL de la varilla del nivel del aceite.
3. Si el nivel de aceite no llega hasta FULL, vierta aceite de motor nuevo (5W-30, con una clasificación mínima de SL/SJ) lenta-

mente a través de la abertura. Vuelva a colocar la varilla del nivel de aceite en el llenado de aceite y controle nuevamente el nivel de aceite.

Gasolina

- Almacene la gasolina en un recipiente aprobado limpio y coloque la tapa en el recipiente.
- Asegúrese de que el recipiente desde el cual vierte la gasolina esté limpio y no esté oxidado ni contaminado con otras partículas extrañas.

ADVERTENCIA

Tenga extremo cuidado cuando manipule gasolina. La gasolina es altamente inflamable y sus vapores pueden causar explosiones. Nunca agregue combustible a la máquina en interiores o mientras el motor está caliente o en funcionamiento. Apague los cigarrillos, cigarros, pipas y otras fuentes de combustión.

NOTA: Dentro de la apertura para llenado de combustible puede encontrarse una tapa guardapolvos de plástico. Retire y descarte, si la hubiera.

- Llene siempre el tanque de combustible al aire libre y use un embudo o pico para evitar derramamientos.
- Llene el tanque de combustible con gasolina sin plomo, limpia y fresca.
- Nunca llene completamente el tanque. Llene el tanque hasta 1/2 pulg por debajo del tope, dejando así espacio para la dilatación del combustible.
- Asegúrese de limpiar el combustible que se haya derramado antes de arrancar el motor.

ENCENDIDO DEL MOTOR

1. Conecte el cable de la bujía a la misma. Compruebe que el lazo de metal del extremo de la bujía esté bien ajustado (dentro de la manga de goma) sobre la punta metálica de la bujía.
2. Asegúrese de que el control de la barrena y el control de la transmisión estén en posición desengranada (sin presionar).
3. Inserte la llave de encendido en la ranura. Asegúrese de que entre a presión en su lugar. No intente girar la llave.

NOTA: El motor no puede arrancar si la llave no está completamente insertada en el interruptor de encendido.

Arrancador eléctrico

Determine si el cableado de su hogar es un sistema de tres cables conectado a tierra. Consulte con un electricista matriculado si no está seguro.


Si cuenta con un receptáculo de tres terminales, siga los siguientes pasos:


1. Conecte el prolongador a la salida situada en la superficie del motor. Conecte el otro extremo del prolongador en un receptáculo de CA con conexión a tierra de tres terminales de 120 voltios, en un área bien ventilada.

OPERACIÓN

ADVERTENCIA

El arrancador eléctrico opcional está equipado con un cable de alimentación y un enchufe de tres terminales conectados a tierra y está diseñado para operar con corriente doméstica de 120 voltios. Debe ser utilizado con un receptáculo de tres terminales correctamente conectado a tierra en todo momento para evitar la posibilidad de descargas eléctricas. Siga todas las instrucciones cuidadosamente para operar el arrancador eléctrico.

2. Gire el control de obturación a posición de obturación FULL  (para encendido con el motor en frío).


NOTA: si el motor ya está caliente, ubique el control del obturador en posición OFF en lugar de FULL .

3. Presione el cebador dos o tres veces para arrancar el motor en frío, asegurándose de cubrir el orificio de ventilación situado en el centro del cebador cuando esté presionando.


NOTA: NO UTILICE el cebador para reiniciar un motor caliente tras una detención breve.


4. Presione el botón del arrancador para arrancar el motor.

NOTA: NO mantenga el botón oprimido durante más de siete (7) segundos a la vez. Si lo hace, puede dañar el arrancador eléctrico del motor.

5. Una vez encendido el motor, suelte el botón del arrancador.
6. Mientras se calienta el motor, gire lentamente el control del obturador a posición OFF (apagado). Si el motor falla, vuelva a girar rápidamente el obturador a posición FULL  y luego, lentamente, a posición OFF de nuevo.
7. Cuando desconecte el prolongador, desenchufe siempre el extremo del receptáculo de tres terminales en el tomacorriente de pared antes de desenchufar el extremo opuesto de la máquina quitanieve.

Arrancador de retroceso


1. Gire el control de obturación a posición de obturación FULL  (encendido con el motor en frío).

NOTA: Si el motor ya está caliente, ubique el control del obturador en posición OFF en lugar de FULL .

2. Presione el cebador dos o tres veces para arrancar el motor en frío, asegurándose de cubrir el orificio de ventilación situado en el centro del cebador cuando esté presionando.

NOTA: NO UTILICE el cebador para reiniciar un motor caliente tras una detención breve.


NOTA: tal vez sea necesario un cebado adicional si la temperatura es inferior a 15° Fahrenheit.

3. Tome la manija del arrancador de retroceso y tire de la cuerda hacia afuera lentamente. En el momento en el que se haga levemente más difícil tirar de la cuerda, permita que la misma retroceda lentamente.
4. Tire de la manija del arrancador con un movimiento firme y rápido. No suelte la manija ni permita que se desenganche. Mantenga la manija del arrancador firmemente sujeta y permita que la cuerda retroceda lentamente.
5. Mientras se calienta el motor, gire lentamente el control del obturador a posición OFF (apagado). Si el motor falla, vuelva a girar rápidamente el obturador a posición FULL  y luego, lentamente, a posición OFF de nuevo.

NOTA: permita que el motor se caliente durante unos minutos tras el arranque. El motor no desarrollará toda su potencia hasta que alcance temperaturas operativas.

DETENCIÓN DEL MOTOR

Deje encendido el motor durante algunos minutos antes de detenerlo para permitir que se seque la humedad en el mismo.

1. Mueva el control del estrangulador a la posición STOP .
2. Retire la llave de encendido y guárdela en un lugar seguro.
3. Limpie la nieve y la humedad del área alrededor del motor, así como también en el área (y alrededor de ésta) del interior de los controles de la transmisión y de la barrena. Asimismo, enganche y suelte ambos controles varias veces.

PROCEDIMIENTO PARA ENGRANAR LA TRANSMISIÓN

1. Mueva la palanca de cambios a una de las seis posiciones de avance (F) o de las dos posiciones de reversa (R). Seleccione la velocidad adecuada para el estado de la nieve existente y una velocidad con la que se sienta cómodo.

NOTA: Al seleccionar una velocidad de la transmisión, use las velocidades más lentas hasta que se sienta cómodo y se haya familiarizado con el funcionamiento de la máquina quitanieve.

2. Apriete el control de la transmisión contra la manija derecha, y la máquina quitanieve se moverá. Suéltelo y se detendrá el movimiento de la transmisión.

NOTA: NUNCA cambie la posición de la palanca de cambios (cambio de velocidades o de dirección de desplazamiento) sin soltar primero el control de transmisión y detener por completo la máquina quitanieve. Esto producirá un desgaste prematuro del sistema de transmisión de la máquina quitanieve.

PROCEDIMIENTO PARA ENGRANAR LAS BARRENAS

1. Apriete el control de la barrena contra la manija y las barrenas rotarán. Suéltela y las barrenas se detendrán.

SERVICIO Y MANTENIMIENTO

⚠️ ADVERTENCIA

Antes de realizar tareas de lubricación, reparación o inspección, desengrane todos los controles y detenga el motor. Espere a que se detengan todas las piezas móviles.

MANTENIMIENTO DE MOTOR

Control del aceite del motor

1. Asegúrese de que el motor está vertical y nivelado.
2. Desenrosque el tapón de llenado de aceite del tubo de llenado de aceite y limpie la varilla de nivel de aceite.
3. Vuelva a enroscar el tapón de llenado de aceite en el tubo de llenado de aceite. Ajuste bien.
4. Desenrosque y retire el tapón de llenado de aceite del tubo de llenado de aceite. Fíjese en el nivel de aceite. Si la lectura en la varilla del nivel de aceite está por debajo de la marca "ADD" (agregue), agregue aceite lentamente hasta alcanzar el nivel "FULL" (lleno). Vea la figura 1.
5. Vuelva a enroscar el tapón de llenado de aceite en el tubo de llenado de aceite. Ajuste bien.
6. Limpie todo el aceite que se haya derramado.

Cambio de aceite del motor

Para evitar que el motor resulte dañado, es importante que:

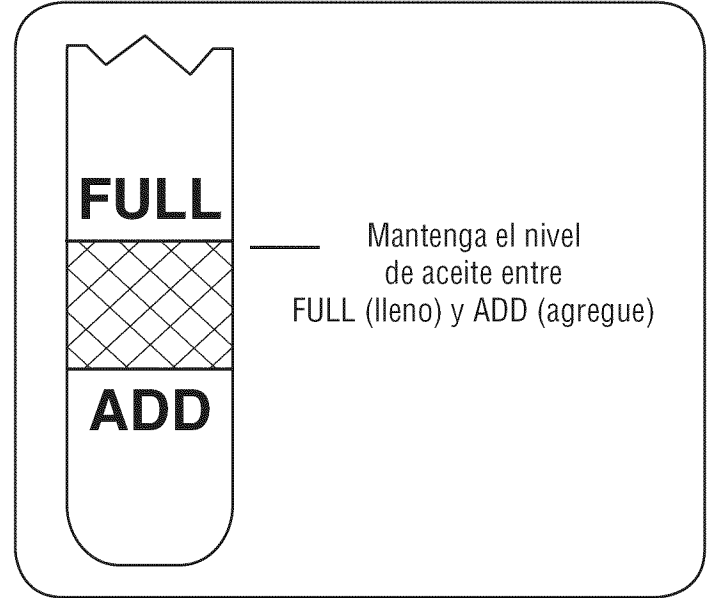
- Controle el nivel de aceite antes de cada uso y cada ocho horas de operación.
 - Cambie el aceite después de las dos (5 to 8) primeras horas de operación y después de cada 50 horas de operación.
 - El motor debe estar tibio pero no caliente por su uso reciente.
1. Localice el tapón de drenaje del aceite. Vea la figura 13.
 2. Asegúrese de que la tapa de la gasolina está puesta y bien ajustada.
 3. Limpie el área alrededor del tapón de drenaje del aceite.
 4. Coloque un recipiente de aceite reciclable aprobado bajo el tapón del drenaje del aceite.
 5. Saque el tapón de drenaje del aceite y drene el aceite.

NOTA: el aceite usado debe desecharse en un centro de recogida adecuado.

6. Instale el tapón de drenaje del aceite y ajuste bien.
7. Vuelva a llenar el motor con el aceite recomendado. Consulte el gráfico Uso de aceite recomendado. La capacidad de aceite del motor es de 20 onzas.

Recommended Oil Usage										
			5W-30, 10W-30							
Synthetic 5W-30, 10W-30										
	-20°F	0°F	20°F	32°F	40°F	60°F	80°F	100°F		
	-30°C	-20°C	-10°C	0°C	10°C	20°C	30°C	40°C		

8. Limpie todo el aceite que se haya derramado.



Mantenga el nivel de aceite entre FULL (lleno) y ADD (agregue)

Figura 12

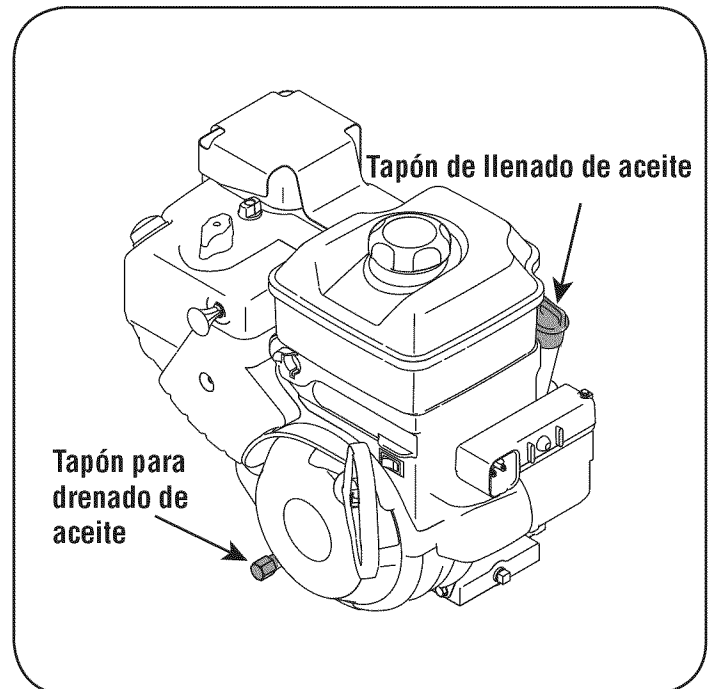


Figura 13

SERVICIO Y MANTENIMIENTO

Control de la bujía

Controle la bujía anualmente o cada 100 horas de operación.

1. Limpie el área alrededor de la bujía.
2. Saque e inspeccione la bujía.
3. Cambie la bujía si la porcelana está rota o si los electrodos están picados, quemados o atorados con depósitos.
4. Controle el espacio del electrodo con un calibrador de separaciones y ajuste dicho espacio a 0,030 pulg (0,76 mm) si es necesario. Vea la figura 14.
5. Vuelva a instalar la bujía y ajuste bien.

NOTA: Para el reemplazo se debe utilizar una bujía de resistor. Contacte con un centro de partes y reparación Sears para una bujía de repuesto.

Carburador

Si cree que su carburador necesita un ajuste, consulte con un centro de partes y reparación Sears. El desempeño del motor no debe verse afectado a altitudes de hasta 7.000 pies (2.134 m). Para operaciones a mayor altitud, contacte con un centro de partes y reparación Sears.

Velocidad del motor

⚠ ADVERTENCIA

Para evitar lesiones graves o la muerte, NO modifique el motor bajo ninguna circunstancia. Si cambia la configuración del regulador, el motor y el equipo pueden operar a velocidades inseguras. NUNCA cambie la configuración de fábrica del regulador del motor. Hacer funcionar el motor a una velocidad superior a la establecida en fábrica es peligroso.

LUBRICACIÓN

Paseo y Cambio de Mecanismo

Al menos una vez una temporada o después de cada 25 horas de la operación, quite la tapa trasera. Lubrique todas las cadenas, piñones, marchas, portes, ejes, y el mecanismo que cambia. Use el petróleo de motor o un lubricante de spray. Vea la figura 15.

NOTA: Evite los derrames de aceite sobre la rueda de fricción de caucho y sobre la placa de transmisión de aluminio.

Ruedas

Retire ambas ruedas al menos una vez cada temporada. Limpie y recubra los ejes con una grasa para automotores multiusos antes de volver a instalar las ruedas.

Control direccional del canal

Lubrique el manguito del perno de ojo y la espiral con aceite 3-en-1 una vez por temporada.

Eje de la barrena

Al menos una vez por temporada, quite los pasadores de cuchilla del eje de la barrena. Rocíe lubricante al interior del eje, alrededor de los separadores. Asimismo, lubrique los cojinetes bridados que se encuentran en ambos extremos del eje. Vea la figura 16.

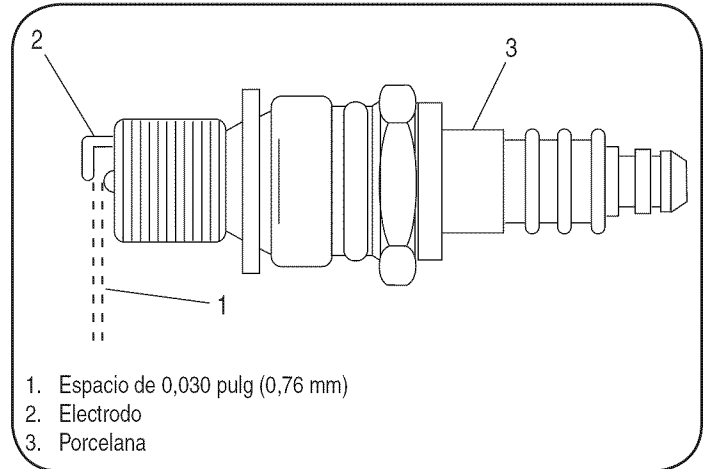


Figura 14

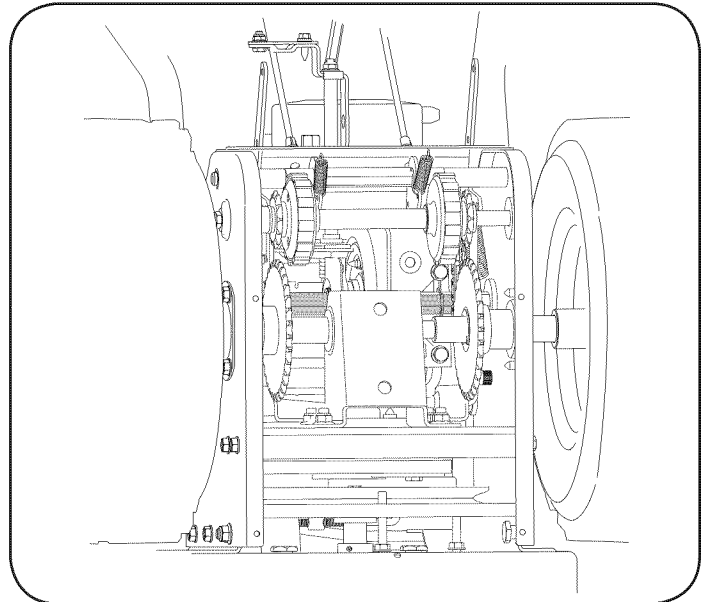


Figura 15

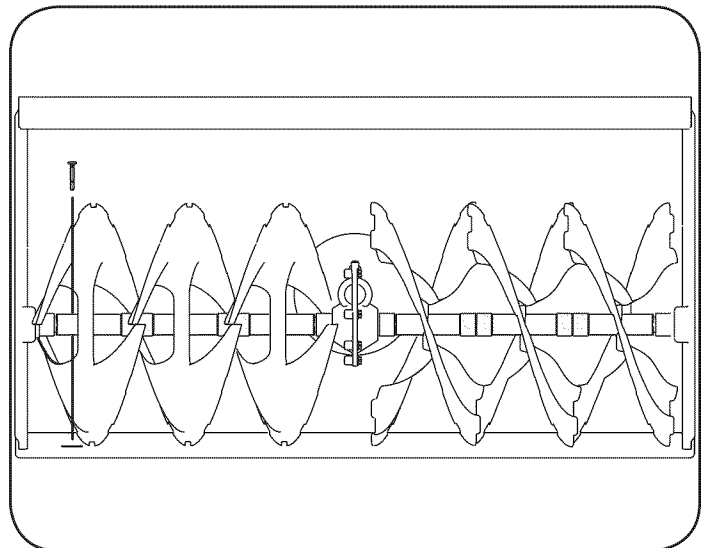


Figura 16

SERVICIO Y MANTENIMIENTO

PLACA DE RASPADO Y ZAPATAS ANTIDESLIZANTES

La placa de raspado y las zapatas antideslizantes ubicadas en la base de la máquina quitanieve están sujetas a desgaste. Debe controlarlas periódicamente y reemplazarlas cuando sea necesario.

Zapatas antideslizantes

NOTA: Las zapatas de esta máquina tienen dos bordes de desgaste. Cuando un lado se desgasta, se las puede rotar 180° para usar el otro borde.

1. Retire los seis pernos y tuercas hexagonales del carro que sujetan las dos zapatas a los lados de la caja de la barrena. Consulte la Figura 17.
2. Ubique las zapatas nuevas y ajústelas con los pernos y tuercas hexagonales del carro. Compruebe que las zapatas antideslizantes están ajustadas para que queden parejas.

Placa de raspado

1. Retire las tuercas hexagonales y los pernos del carro que ajustan la placa de raspado a la base de la caja.
2. Retire la última tuerca hexagonal y el último perno del carro que ajustan la parte posterior de cada zapata a los lados de la caja. Afloje las cuatro tuercas hexagonales restantes que sujetan las zapatas antideslizantes.
3. Deslice la placa de raspado fuera de la ranura de compensación en la base de la caja, y desde su posición entre las zapatas y los paneles laterales de la caja.
4. Con los orificios de montaje hacia atrás, deslice la nueva placa de raspado en posición y ajústela con los sujetadores que se retiraron previamente.

AJUSTES

Varilla de cambio

Si no se puede lograr toda la gama de velocidades (avance y retroceso), consulte la figura de la izquierda y ajuste la varilla de cambios de la siguiente forma:

1. Mirando debajo del panel de la manija, observe en cuál de los tres orificios de la palanca de cambios se encuentra insertada la férula. Observe también la dirección de la inserción. Luego retire el pasador de chaveta y la arandela plana internos de la férula y retire la férula de la palanca de cambios. Vea la Figura 18.
2. Coloque la palanca de cambios en la sexta (6) posición o en la velocidad más rápida hacia adelante.
3. Empuje la varilla de cambios y el conjunto del brazo de desplazamiento hacia abajo con firmeza tanto como se pueda para colocar la transmisión en la posición de velocidad más rápida hacia adelante.
4. Según sea necesario, rote la férula hacia arriba o hacia abajo de la varilla de cambios hasta que la férula se alinee arriba con el orificio del cual fue retirada antes. Vea la Figura 18.
5. Desde la dirección que se observó antes, inserte la férula en el orificio adecuado.
6. Vuelva a instalar la arandela y el pasador de chaveta interno.

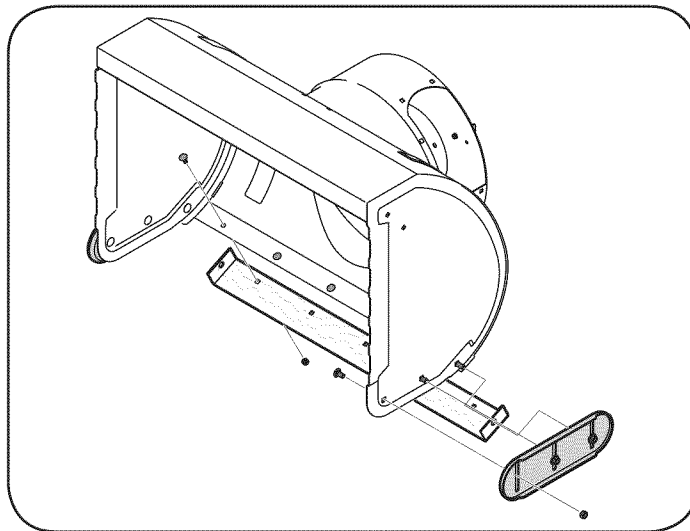


Figura 17

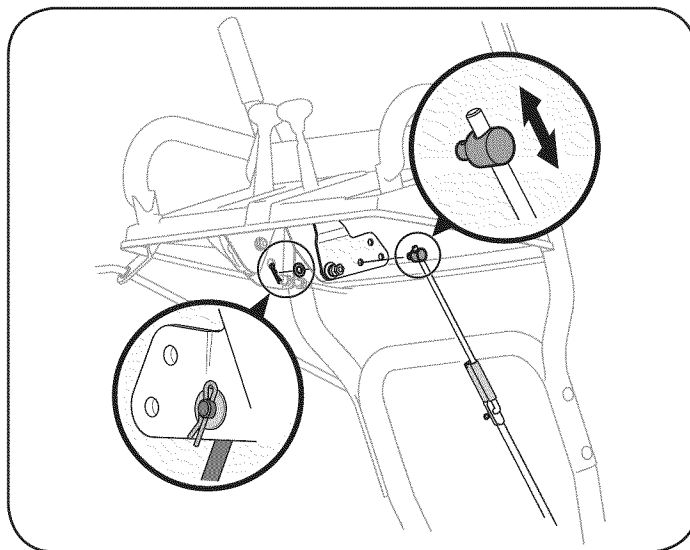


Figura 18

Control del canal

Se puede ajustar la distancia a la cual se arroja la nieve mediante el ajuste del ángulo del conjunto del canal. Consulte la sección Funcionamiento para obtener instrucciones.

Los cables de control del canal remoto son ajustados previamente en fábrica. Mueva la palanca de tolva remota en el panel de instrumentos avanzado para girar la tolva superior abajo; mueva la palanca hacia atrás para girar la tolva superior.

SERVICIO Y MANTENIMIENTO

Control de la transmisión

Consulte la sección Ajuste de las instrucciones de montaje para ajustar el control de la transmisión. Para controlar aún más el ajuste, proceda de la siguiente manera:

1. Con la máquina quitanieve inclinada hacia adelante (asegúrese de vaciar la gasolina o de colocar una película plástica debajo del tapón de llenado del combustible si la máquina ya ha sido puesta en funcionamiento), saque la cubierta del marco ubicada bajo la máquina quitanieve, para lo cual debe sacar los tornillos autorroscantes.
2. Ubique la abertura entre la ménsula de soporte del eje y el soporte del cuadro delantero (Vea la Figura 19). Mirando a través de esta abertura, tras soltar el control de la transmisión, debe existir una separación de entre la rueda de fricción y la placa de la transmisión en todas las posiciones de la palanca de cambios.
3. Con el control de la transmisión engranado, la rueda de fricción debe hacer contacto con la placa de la transmisión. Vea la Figura 19.
4. Si no hay separación de la rueda de fricción, o si la rueda de fricción no hace contacto firmemente con la placa de la transmisión, reajuste la tuerca de seguridad en el extremo inferior del cable de transmisión según las instrucciones de la sección Montaje.
5. Vuelva a ensamblar la cubierta del marco.

NOTA: Si anteriormente colocó película plástica debajo del tapón de llenado de gasolina, sáquela en este momento.

Soporte del canal

Si la espiral situada en la parte inferior del control direccional del canal no se engancha completamente con el conjunto del canal, es posible ajustar el soporte del canal. Para hacerlo:

1. Afloje las dos tuercas que sujetan el soporte del canal y cambie su posición ligeramente. Vea la Figura 20.
2. Vuelva a ajustar las tuercas.

Control de la barrena

Consulte la sección Montaje para ver las instrucciones del ajuste del cable de control de la barrena.

Zapatas antideslizantes

Consulte la sección Montaje para ver las instrucciones para el ajuste de las zapatas antideslizantes.

CAMBIO DE CORREA

Preparación para sacar la correa

1. Desconecte el conjunto de manivela del canal en el extremo del canal de descarga. Para ello saque el broche de horquilla y la arandela plana. Consulte la Figura 21.
2. Retire la cubierta plástica de la correa, ubicada cerca del motor. Para ello saque los tres tornillos autorroscantes que la sujetan. Vea la Figura 22.

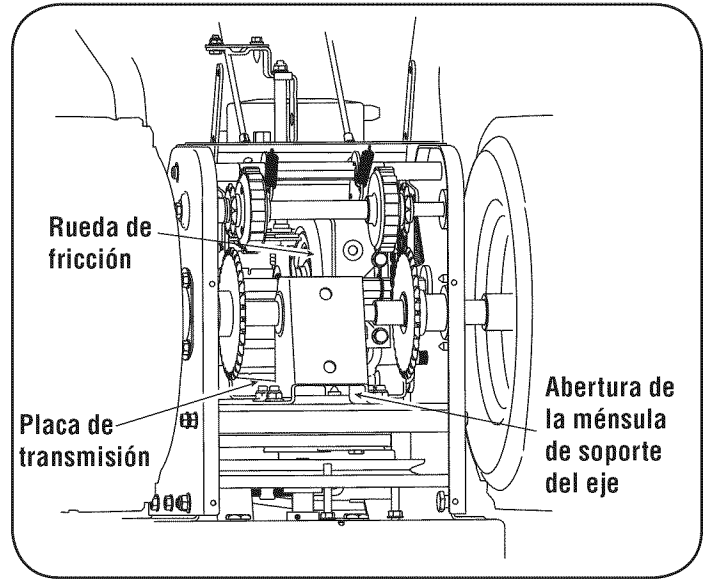


Figura 19

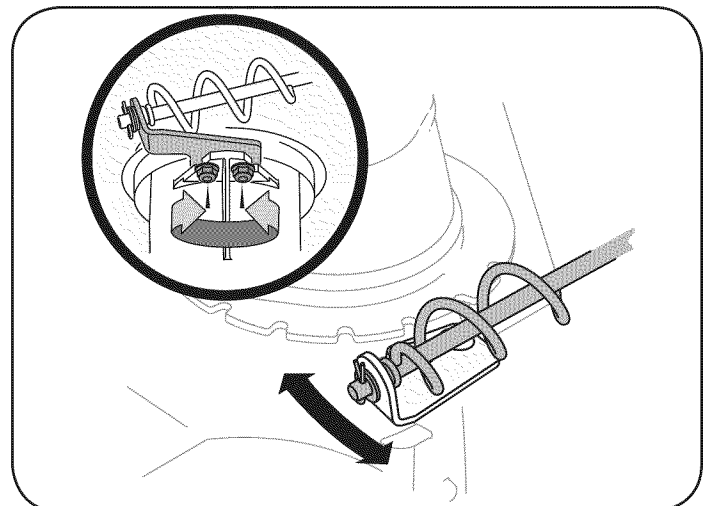


Figura 20

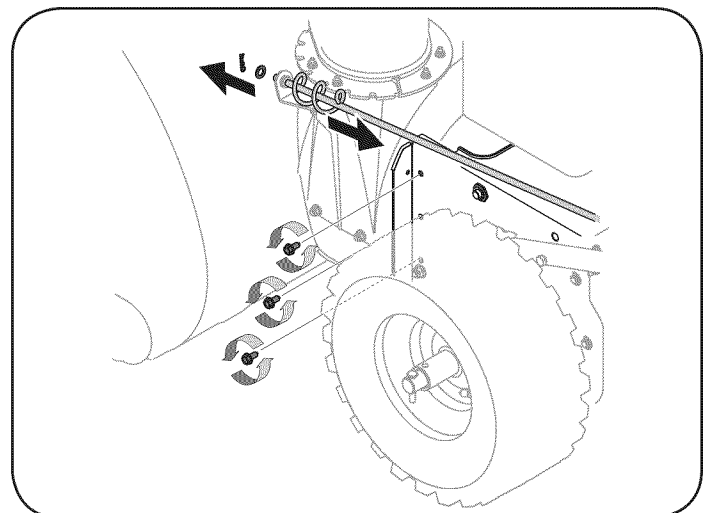


Figura 21

SERVICIO Y MANTENIMIENTO

3. Afloje el perno que se muestra en la Figura 23 que sujeta la ménsula del guardacorrea y retire el otro perno. Empuje el guardacorrea y la ménsula hacia arriba para sacarlos de la polea del motor. Vea la Figura 23.

Reemplazo de la correa de la barrena

1. Retire el broche del pasador de horquilla y la arandela plana de la férula para desconectar la varilla intermedia de la barrena del conjunto del soporte del freno. Vea la Figura 24.
NOTA: Asegúrese que la posición del regatón en la vara de holgazán de taladro es mantenida.
2. Deslice la correa de control de la barrena (la correa delantera) fuera de la polea del motor.
3. Tire del conjunto del soporte del freno hacia el rodillo guía del cable y desenganche el accesorio Z del cable de la barrena. Vea la Figura 25.
4. Desde los dos lados del conjunto del cuadro, use una llave de 1/2" para retirar los tres tornillos roscados hexagonales que sujetan el marco al conjunto de la caja de la barrena. Consulte la figura 21 en la página anterior.
NOTA: No retire la tuerca de seguridad bridada hexagonal inferior a cada lado.
5. Coloque un bloque de madera debajo de la caja de la barrena como se muestra en la Figura 26 y separe la caja de la barrena del marco inclinando la caja hacia adelante y tirando hacia arriba de las manijas.
6. Bloquee la aspa con un pedazo de madera para impedirle girar, y con una llave de 1/2", retire el tornillo hexagonal y la arandela plana del centro de la polea sobre la caja de la barrena. Vea la Figura 27.
7. Levante el conjunto del soporte del freno fuera de la ranura de la polea y deslice el conjunto de la polea fuera de los postes del adaptador de la polea de la barrena para retirar la correa vieja. Consulte la Figura 27.

NOTA: El adaptador de la polea se puede deslizar fuera del eje de entrada de la barrena al retirar la polea. Extreme precauciones para asegurar que el adaptador no se caiga y/o dañe al retirar la polea.

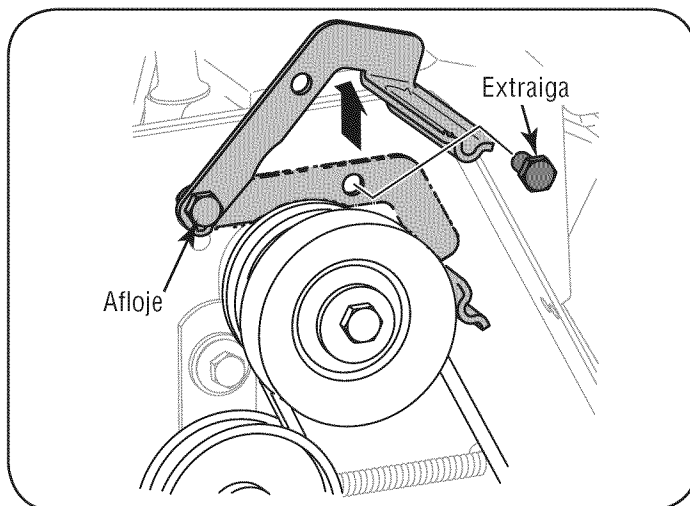


Figura 23

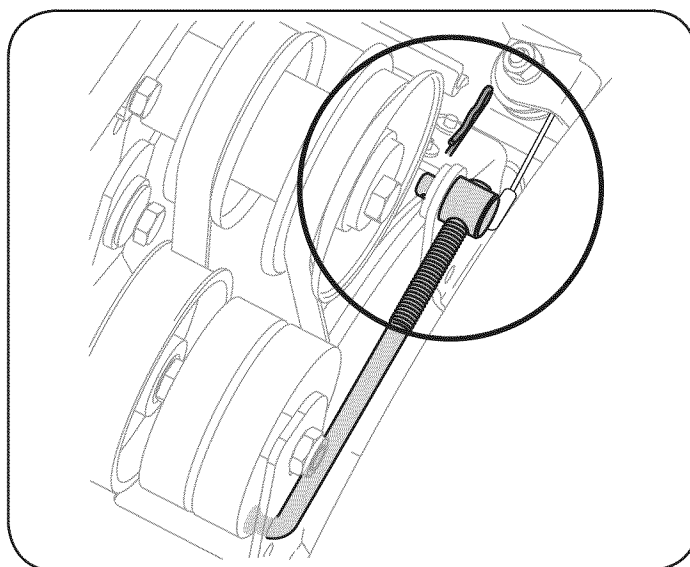


Figura 24

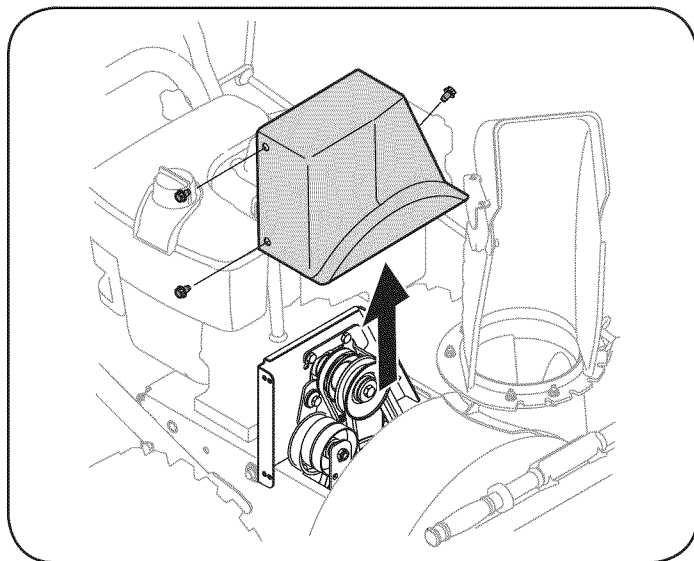


Figura 22

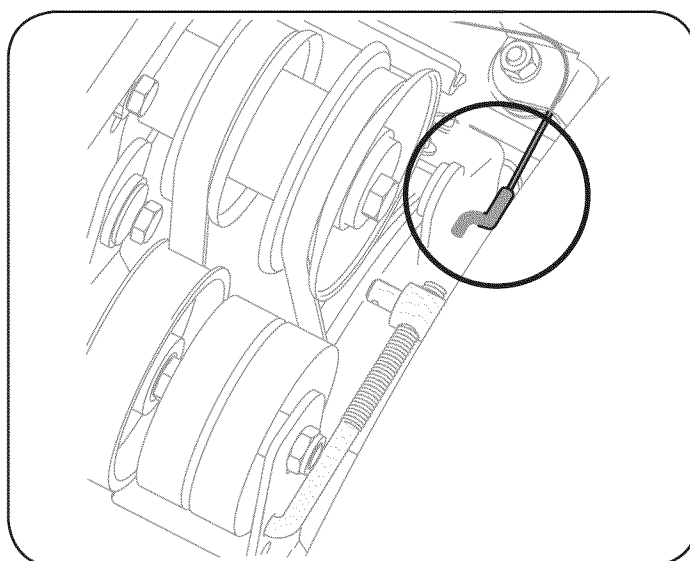


Figura 25

SERVICIO Y MANTENIMIENTO

- Coloque la nueva correa de la barrena en la ranura en V de la polea de la barrena y coloque la polea con la correa dentro de los guardacorreas.
- Gire la polea cuanto sea necesario para alinear sus tres ranuras aproximadamente con los postes del adaptador de la polea, luego mueva el conjunto del soporte del freno lejos del eje de entrada. Cuando alinea las ranuras de la polea y los postes del adaptador, empuje la polea de la barrena totalmente sobre el adaptador. Consulte la Figura 27.

NOTA: Si el adaptador de la polea se retiró con la polea, alinee los canales del adaptador de la polea y el eje de entrada de la barrena y empuje la polea y el adaptador sobre el eje de entrada. Consulte la Figura 27.

- Deslice la arandela sobre el tornillo hexagonal que se retiró antes y aplique Loctite 262 a las roscas del tornillo hexagonal.
- Inserte el tornillo hexagonal a través del conjunto de la polea y en las roscas del eje de entrada. Ajuste el tornillo hexagonal a 250-325 pulgadas/libras para sujetar el conjunto de la polea de la barrena al eje de entrada.
- Si también se cambia la correa de transmisión, pase a las instrucciones de "Correa de transmisión." De lo contrario, coloque de nuevo el marco de transmisión atrás en el alojamiento de taladro. Instale la correa de transmisión sobre la polea del motor, vuelva a conectar el accesorio Z del cable de la barrena y la férula de la varilla intermedia de la barrena al soporte del freno. Vuelva a ubicar y sujete el protector de la correa de la polea del motor e instale nuevamente la cubierta de la correa.

NOTA: Asegúrese para quitar el pedazo de madera que bloquea la aspa.

Controle el ajuste de la correa de transmisión de la barrena. Con la palanca del embrague de la barrena en posición desengranada, la superficie superior de la correa nueva debe quedar pareja con el diámetro exterior de la polea.

Para ajustar, desconecte la férula del conjunto de soporte del freno. Enrosque la férula hacia adentro (hacia la polea loca) para aumentar la tensión sobre la correa o hacia afuera para reducirla.

NOTA: El patín del freno siempre debe quedar firmemente asentado en la ranura de la polea cuando se desengrana el control de la barrena.

IMPORTANTE: Repita "el Taladro Expulsan de la Prueba de Control" de la sección de Asamblea antes del lanzador de nieve de operaciones.

Reemplazo de la correa de transmisión

Si todavía no se retiró la correa de transmisión de la barrena, de la polea delantera en la polea doble del motor, hágalo ahora. Consulte las instrucciones para el "Cambio de la correa de la barrena" en la subsección anterior.

- Tire de la polea loca separándola de la parte posterior de la correa de transmisión para aflojar la tensión. Vea la Figura 28.
 - Deslice la correa de transmisión fuera de la polea loca. Suelte la polea loca con cuidado.

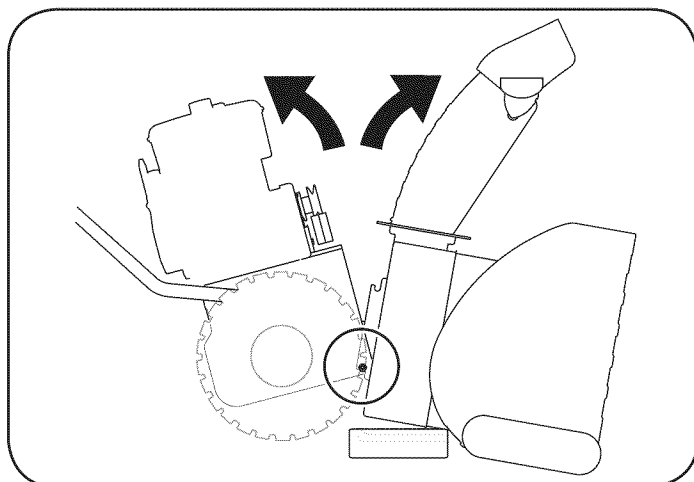


Figura 26

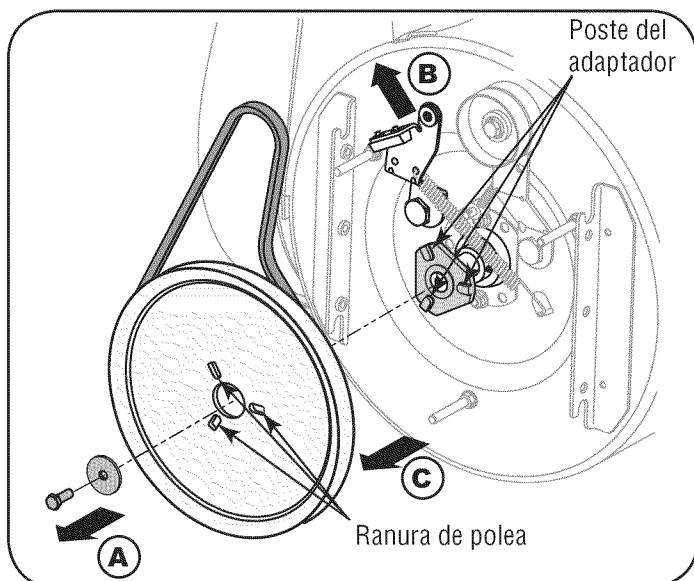


Figura 27

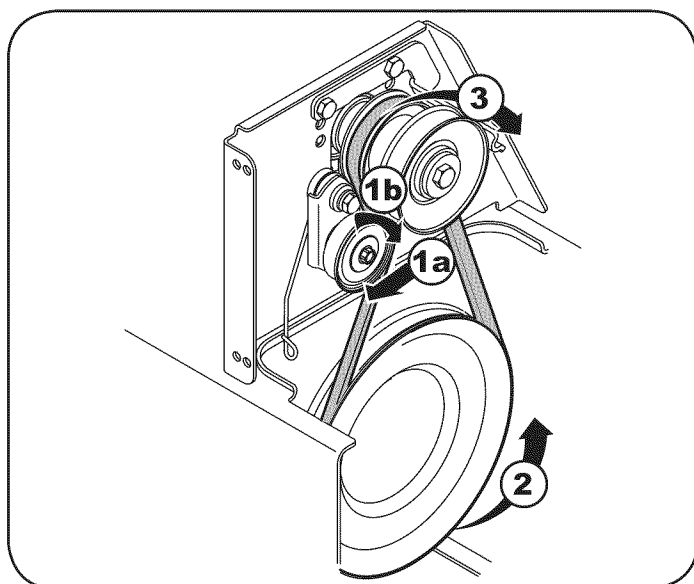


Figura 28

SERVICIO Y MANTENIMIENTO

2. Haga rodar la correa de transmisión fuera de la polea de transmisión inferior.
3. Retire la correa de la polea del motor.
4. Instale la correa nueva en las poleas en el orden inverso y vuelva a tensarla con la polea loca.
5. Para realizar el reensamblado siga los pasos anteriores en orden y de manera inversos a la extracción.

CAMBIO DE LA RUEDA DE FRICCIÓN

La goma de la rueda de fricción está sujeta a desgaste y se la debe controlar después de las primeras 25 horas de funcionamiento y luego de forma periódica. Reemplace la rueda de fricción si detecta la presencia de signos de desgaste o grietas.

1. Drene la gasolina de la máquina quitanieve o coloque un trozo de plástico debajo del tapón de llenado del combustible.
2. Inclíne la máquina quitanieve hacia arriba y hacia adelante de manera que quede apoyada sobre la caja.
3. Retire los tornillos de la cubierta del cuadro debajo de la máquina quitanieve (consulte la Figura 29). Retire la rueda derecha del eje.
4. Con una llave de 3/4" sostenga el eje hexagonal y retire el tornillo hexagonal y la arandela belleville y el cojinete del lado izquierdo del marco. Consulte la Figura 30.
5. Mientras sostiene el conjunto de la rueda de fricción, deslice el eje hexagonal hacia afuera del conjunto de la rueda de fricción y del costado derecho del marco. El separador del costado izquierdo del eje hexagonal cae y la rueda dentada debe quedar suelta colgando de la cadena.
6. Levante el conjunto de la rueda de fricción hacia afuera entre los conjuntos del semieje y del eje de transmisión.
7. Retire los cuatro tornillos que ajustan la rueda de fricción al conjunto del cubo (consulte la Figura 31). Deseche la rueda de fricción vieja.
8. Vuelva a ensamblar la rueda de fricción nueva en el conjunto del cubo, ajustando los cuatro tornillos en rotación y con la misma fuerza. Es importante ensamblar la rueda de fricción simétricamente para que funcione adecuadamente.
9. Vuelva a colocar el conjunto de la rueda de fricción en el marco de la máquina quitanieve. Inserte el pasador del conjunto del brazo de desplazamiento en el conjunto de la rueda de fricción y mantenga el conjunto en su lugar. Consulte la Figura 32.
10. Deslice el eje hexagonal a través del lado derecho del marco hacia el lado izquierdo y a través del conjunto de la rueda de fricción.
11. Después de verificar que la cadena se encuentre sobre la rueda dentada grande y sobre la pequeña, alinee el eje hexagonal con el cubo hexagonal de la rueda dentada pequeña, y deslice el eje a través de la rueda dentada.

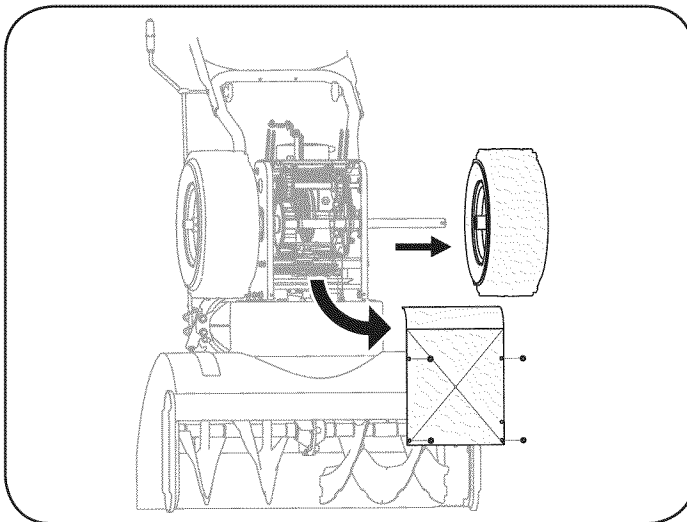


Figura 29

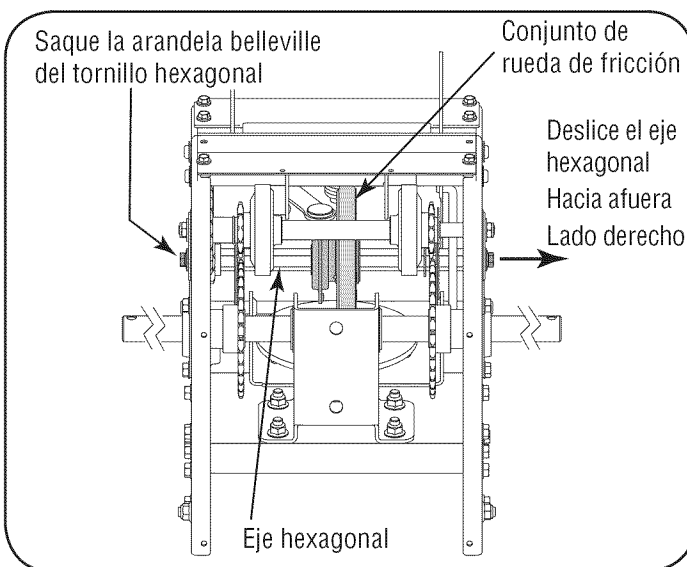


Figura 30

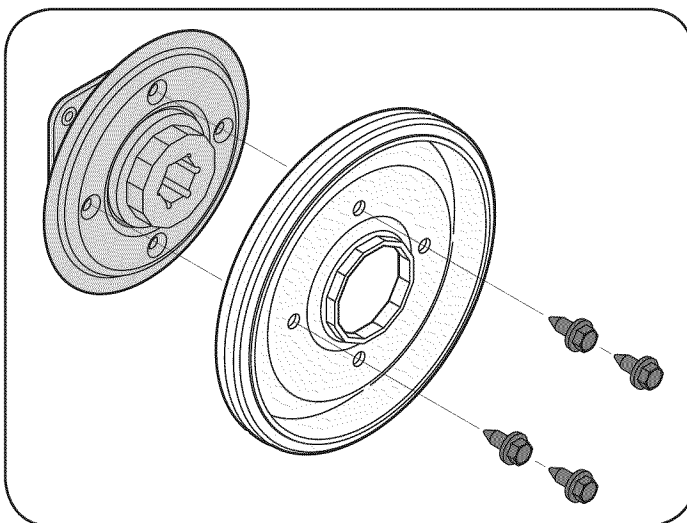


Figura 31

SERVICIO Y MANTENIMIENTO

NOTA: Si se sale la rueda dentada de la máquina quitanieve mientras se está sacando el eje hexagonal, coloque la rueda dentada en la cadena. Realice el piñón en la cadena con el cubo de maleficio que afronta la derecha de unidad. Coloque el buje hexagonal de la rueda dentada hacia la rueda de fricción cuando deslice la rueda dentada sobre el eje hexagonal.

12. Deslice el separador sobre el extremo del eje hexagonal.
13. Alinee el cojinete en el extremo derecho del eje hexagonal con el orificio del lado derecho del marco, luego empuje el eje hexagonal hacia la izquierda en posición en el marco.
14. Deslice el cojinete sobre el extremo izquierdo del eje hexagonal y presione dentro del orificio del lado izquierdo del marco.
15. Coloque la arandella belleville (lado redondeado hacia la cabeza) en el tornillo hexagonal que se retiró antes, e inserte el tornillo dentro del orificio roscado del eje hexagonal.
16. Gradualmente apriete el tornillo hexagonal para asentar totalmente los cojinetes a cada lado del marco y sujetar el eje hexagonal.
17. Coloque la cubierta del marco sobre la parte inferior del marco y sujétela con los tornillos autorroscantes. Haga girar la máquina quitanieve hacia abajo a la posición operativa normal.

NOTA: Si colocó película plástica debajo del tapón de llenado del combustible, asegúrese de sacarla.

BARRENAS

Las barrenas están ajustadas al eje espiral con dos pasadores de cuchilla y pasadores de chaveta. Si la barrena golpea un objeto extraño o una barra de hielo, la máquina quitanieve está diseñada de manera que los pasadores se pueden cortar. Si las barrenas no giran, verifique si los pasadores se cortaron. Vea la figura 33.

⚠ PRECAUCIÓN

NUNCA cambie los pasadores de cuchilla de las barrenas por otra cosa que los pasadores de cuchilla de repuesto del fabricante del equipo original, N° de pieza 738-04124A. Cualquier daño que sufra el engranaje de la barrena o cualquier otro componente por dejar de hacerlo lo anterior, NO estará cubierto por la garantía de su máquina quitanieve.

⚠ ADVERTENCIA

Siempre debe apagar el motor de la máquina quitanieve y retirar la llave antes de cambiar los pasadores de cuchilla.

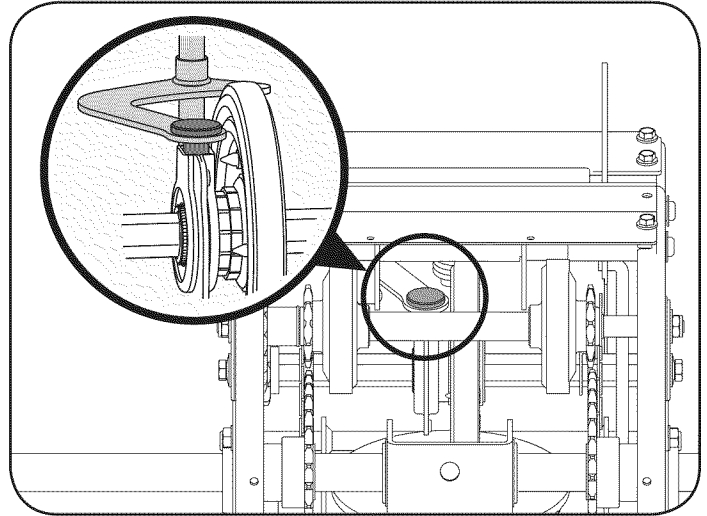


Figura 32

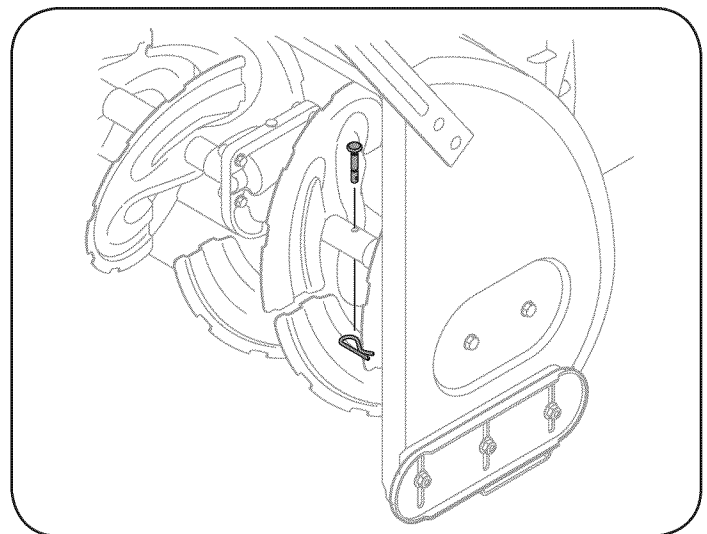


Figure 33

SERVICIO Y MANTENIMIENTO

LISTA DE MANTENIMIENTO

⚠ ADVERTENCIA

Antes de realizar cualquier tipo del mantenimiento/servicio, suelte todos los mandos y pare el motor. Espere hasta que todas las partes de movimiento hayan venido a una parada completa. Desconecte el alambre de bujía y béselo contra el motor para prevenir el comienzo involuntario. Siempre lleve puestos cristales inastillables durante la operación o realizando cualquier ajuste o reparaciones.

Siga la lista de mantenimiento dada abajo. Esta carta describe pautas de servicio sólo. Use la columna de Tronco de Servicio para guardar la pista de tareas de mantenimiento completadas. Localizar el más cercano Chamusca el Centro de Servicio o programar el servicio, simplemente ponerse en contacto Chamusca en **1-800-4-MY-HOME®**.

Intervalo	Artículo	Servicio	Tronco de Servicio
Cada Uso	<ol style="list-style-type: none"> Nivel del aceite de motor Hardware suelto o ausente Unidad y motor 	<ol style="list-style-type: none"> Comprobar Apriete o sustituir Limpio 	
1os 2 horas	<ol style="list-style-type: none"> El aceite de motor 	<ol style="list-style-type: none"> Cambio 	
25 horas	<ol style="list-style-type: none"> El aceite de motor† Encadenamientos de control y pivotes 	<ol style="list-style-type: none"> Cambio Lubricación con petróleo ligero 	
50 horas	<ol style="list-style-type: none"> El aceite de motor 	<ol style="list-style-type: none"> Cambio 	
Anualmente o 100 horas	<ol style="list-style-type: none"> Bujía 	<ol style="list-style-type: none"> Limpio, sustituya, nuevo hueco 	
Antes de Almacenaje	<ol style="list-style-type: none"> Sistema de combustible 	<ol style="list-style-type: none"> El motor dirigido hasta que esto se pare a falta del combustible o añada un aditivo de gasolina al gas en el tanque. 	

† Bajo carga pesada o en temperaturas altas

ALMACENAMIENTO FUERA DE TEMPORADA

Si no se va a utilizar el equipo durante 30 días o más, o si es el final de la temporada de nieve y ya no existe posibilidad de que nieve, es necesario almacenar el equipo de manera adecuada. Siga las instrucciones de almacenamiento que se indican a continuación para garantizar el rendimiento máximo de la máquina quitanieve durante muchos años.

PREPARACIÓN DEL MOTOR

Almacenaje a Corto plazo

Es importante evitar que durante el almacenamiento se formen depósitos de goma en las piezas esenciales del sistema de combustible del motor como, por ejemplo, en el carburador, el filtro de combustible, la manguera de combustible o el depósito.

El uso de estabilizadores de combustible (como STA-BIL) es una alternativa aceptable para minimizar la formación de depósitos de goma de combustible durante el almacenamiento. Agregue el estabilizador a la gasolina que se encuentra en el depósito de combustible o en el recipiente de almacenamiento. Respete siempre la proporción de mezclado que figura en el recipiente del estabilizador. Ponga el motor en marcha por lo menos 10 minutos después de agregar el estabilizador para permitirle llegar al carburador. No drene el carburador si está utilizando un estabilizador de combustible.

⚠ ADVERTENCIA

Nunca almacene la máquina quitanieve con combustible en el tanque en un espacio cerrado o en áreas con poca ventilación, donde los gases del combustible puedan alcanzar el fuego, chispas o una luz piloto como la que tienen algunos hornos, calentadores de agua, secadores de ropa o algún otro dispositivo a gas.

⚠ PRECAUCIÓN

A los combustibles con mezcla de alcohol (que se llaman gasohol, o que utilizan etanol o metanol) pueden atraer la humedad, lo que conduce a la separación y formación de ácidos durante el almacenamiento. El gas ácido puede dañar el sistema del combustible de un motor durante el almacenamiento del mismo.

Almacenaje a Largo plazo

Para evitar problemas con el motor, el sistema del combustible debe ser vaciado antes de almacenar la máquina durante 30 días o más.

⚠ ADVERTENCIA

El combustible que se deje en el motor se deteriora cuando el clima es cálido y causa graves problemas de encendido.

1. Ponga el motor en marcha hasta vaciar el depósito de combustible y hasta que el motor se detenga debido a la falta de combustible.

⚠ ADVERTENCIA

Nunca use el motor o el carburador que limpia productos en el depósito de combustible o el daño permanente puede ocurrir.

2. Retire la bujía y vierta (1) onza de aceite para motor a través del orificio de la bujía y hacia el interior del cilindro. Cubra el orificio de la bujía con un trapo y ponga el motor en marcha varias veces para distribuir el aceite. Reemplace la bujía.

PREPARACIÓN DE LA MÁQUINA QUITANIEVE

1. Cuando almacene la máquina quitanieve en un galpón de depósito metálico o con poca ventilación, tenga especial cuidado de realizarle un tratamiento anti-oxidante al equipo. Use aceite ligero o silicón para recubrir el equipo, especialmente las cadenas, los resortes, los cojinetes y los cables.
2. Elimine todo el polvo del exterior del motor y del equipo.
3. Siga las recomendaciones de lubricación en la sección de mantenimiento de este manual.
4. Almacene el equipo en un área despejada y seca.

SOLUCIÓN DE PROBLEMAS

⚠ ADVERTENCIA

Antes de realizar cualquier tipo del mantenimiento/servicio, suelte todos los mandos y pare el motor. Espere hasta que todas las partes de movimiento hayan venido a una parada completa. Desconecte el alambre de bujía y béselo contra el motor para prevenir el comienzo involuntario. Siempre lleve puestos cristales inastillables durante la operación o realizando cualquier ajuste o reparaciones.

Esta sección se dirige a cuestiones de servicio menores. Localizar el más cercano Chamusca el Centro de Servicio o programar el servicio, simplemente ponerse en contacto Chamusca en 1-800-4-MY-HOME®.

Problema	Causa	Remedio
El motor no arranca	<ol style="list-style-type: none"> 1. La palanca de obturación no está en la posición ON (encendido) 2. Se ha desconectado el cable de la bujía 3. La bujía no funciona correctamente 4. El tanque de combustible está vacío o el combustible es viejo 5. El motor no está cebado 6. La llave de seguridad no se encuentra en el encendido del motor 	<ol style="list-style-type: none"> 1. Ponga el interruptor en la posición CHOKE (obturación). 2. Conecte el cable a la bujía. 3. Limpie, ajuste la distancia disruptiva o cambie. 4. Llene el tanque con gasolina limpia y fresca. 5. Ceba el motor tal y como se indica en la sección de operación. 6. Inserte la llave totalmente dentro del interruptor.
El motor funciona de manera errática	<ol style="list-style-type: none"> 1. La unidad está funcionando en la posición CHOKE (obturación) 2. El combustible es viejo 3. Agua o suciedad en el sistema del combustible 4. Es necesario ajustar el carburador 	<ol style="list-style-type: none"> 1. Cambie la palanca de obturación a la posición OFF (apagado). 2. Llene el tanque con gasolina limpia y fresca. 3. Vacíe el tanque del combustible. Vuelva a llenarlo con combustible limpio. 4. Contacte con su centro de partes y reparaciones Sears.
El motor recalienta	<ol style="list-style-type: none"> 1. El carburador no está ajustado correctamente 	<ol style="list-style-type: none"> 1. Contacte con un centro de partes y servicio Sears.
Demasiada vibración	<ol style="list-style-type: none"> 1. Hay piezas que están flojas o la barrena está dañada 	<ol style="list-style-type: none"> 1. Detenga el motor de inmediato y desconecte el cable de la bujía. Ajuste todos los pernos y las tuercas. Si la vibración continúa, lleve la unidad a reparar a un centro de partes y reparación Sears.
Pérdida de potencia	<ol style="list-style-type: none"> 1. El cable de la bujía está flojo 2. El orificio de ventilación del tapón de llenado del combustible está obstruido 	<ol style="list-style-type: none"> 1. Conecte y ajuste el cable de la bujía. 2. Retire el hielo y la nieve del tapón de llenado del combustible. Compruebe que el orificio de ventilación no esté obstruido.
La unidad no se autopropulsa	<ol style="list-style-type: none"> 1. El cable del control de transmisión necesita un ajuste 2. La correa de transmisión está floja o dañada 	<ol style="list-style-type: none"> 1. Ajuste el cable del control de transmisión. Consulte la sección de Servicio y Mantenimiento. 2. Reemplace la correa de la transmisión. Consulte la sección de Servicio y Mantenimiento.
La unidad no descarga la nieve	<ol style="list-style-type: none"> 1. El montaje del canal está tapado 2. Hay un objeto extraño en la barrena 3. El cable del control de la barrena necesita un ajuste 4. La correa de la barrena está floja o dañada 5. El/los pasador/es de cuchilla están cortados 	<ol style="list-style-type: none"> 1. Detenga el motor de inmediato y desconecte el cable de la bujía. Limpie el montaje del canal y el interior de la caja de la barrena con la herramienta de limpieza o una varilla. 2. Detenga el motor de inmediato y desconecte el cable de la bujía. Retire el objeto de la barrena con la herramienta de limpieza o una varilla. 3. Ajuste el cable del control de la barrena. Consulte la sección de montaje. 4. Reemplace la correa de la barrena. Consulte la sección de Servicio y Mantenimiento. 5. Reemplace con nuevo(s) pasador(es) de cuchilla.

(Esta página se aplica sólo en EE.UU. y Canadá).

Sears, Roebuck and Co., U.S.A. (Sears), el Consejo de Recursos Ambientales de California (CARB) y la Agencia de Protección Ambiental de los Estados Unidos (EPA)

Declaración de garantía del sistema de control de emisiones (derechos y obligaciones de la garantía de defectos del propietario)

LA COBERTURA DE LA GARANTÍA DE CONTROL DE EMISIONES ES APLICABLE A LOS MOTORES CERTIFICADOS COMPRADOS EN CALIFORNIA EN 1995 Y POSTERIORMENTE, QUE SE UTILIZAN EN CALIFORNIA,

Declaración de garantía sobre defectos en el control de emisiones para California y los Estados Unidos

El Consejo de Recursos Ambientales de California (CARB), la EPA (Agencia de Protección Ambiental de los EE.UU.) y Sears tienen el gusto de explicar la garantía del sistema de control de emisiones para motores del año 2000 y para el futuro con relación a motores pequeños todo terreno (SORE). En California, los nuevos motores pequeños todo terreno deben estar diseñados, construidos y equipados para cumplir con las rigurosas normas anti-smog del estado. En el resto de los Estados Unidos, los motores nuevos todo terreno de encendido por chispa certificados para el año 1997 deben cumplir estándares similares establecidos por la EPA. Sears debe garantizar el sistema de control de emis-

Y PARA LOS MODELOS CERTIFICADOS DEL AÑO 1997 Y POSTERIORES, QUE SE COMPREN Y UTILICEN EN CUALQUIER PARTE DE LOS ESTADOS UNIDOS (Y A PARTIR DEL 1 DE ENERO DE 2001 EN CANADÁ).

iones de su motor para los períodos de tiempo enumerados a continuación, siempre que no haya abuso, negligencia o mantenimiento indebido de su motor todo terreno pequeño. Su sistema de control de emisiones puede incluir piezas tales como el carburador, el filtro de aire, el sistema de encendido, el silenciador y el convertidor catalítico. También puede incluir conectores y otras unidades relacionadas con las emisiones. Donde exista una condición cubierta por la garantía, Sears reparará su pequeño motor todo terreno sin costo alguno incluyendo diagnóstico, piezas y mano de obra

Cobertura de la garantía Sears para defectos en el control de emisiones

Los motores todo terreno pequeños están garantizados en lo relativo al control de emisiones para defectos en piezas durante un período de dos años, sujeto

Responsabilidades del propietario en relación con la garantía

Como propietario del motor todo terreno pequeño, Ud. es responsable de la realización del mantenimiento requerido que se incluye en las instrucciones de operación y mantenimiento. Sears recomienda que se conserven todos los recibos relativos al mantenimiento de su motor todo terreno pequeño, pero no puede denegar la garantía simplemente por la falta de los mismos, o por su incumplimiento del mantenimiento programado. Como propietario del motor pequeño todoterreno debe saber que, sin embargo, Sears le puede negar la cobertura de la garantía si su motor todoterreno pequeño o una pieza del mismo han fallado debido a abuso, negligencia, mantenimiento indebido o

a las disposiciones que se indiquen a continuación. Si una parte de su motor cubierta por la garantía es defectuosa, Sears reparará o sustituirá dicha parte.

a modificaciones no aprobadas. Ud. es responsable de presentar su motor todoterreno pequeño a un distribuidor de servicios Sears autorizado tan pronto como aparezca un problema. Las reparaciones de la garantía sin conflicto deben completarse en un plazo de tiempo razonable, no superior a 30 días. Si tiene alguna pregunta respecto a sus derechos y responsabilidades referentes a la garantía, debe contactar con un representante de servicios Sears al 1-800-469-4663. La garantía de emisiones es una garantía por defectos. Los defectos se juzgan de acuerdo con el funcionamiento normal de un motor. La garantía no está relacionada con una prueba de emisiones en uso.

Disposiciones de la garantía Sears para defectos en el control de emisiones

Las siguientes son disposiciones específicas relacionadas con la cobertura de la garantía para defectos en el control de emisiones. Es un añadido a la garantía de motor Sears para motores no regulados que se encuentra en las instrucciones de funcionamiento y mantenimiento.

1. Piezas con garantía

La cobertura de esta garantía se extiende únicamente a las piezas que aparecen a continuación (las partes de los sistemas de control de emisiones), siempre que dichas piezas estuvieran ya en el motor en el momento de su compra.

- a. Sistema de medición de combustible
 - Sistema de enriquecimiento para arranque en frío
 - Carburador y partes internas
 - Bomba de combustible
- b. Sistema de inducción de aire
 - Filtro de aire
 - Colector de admisión
- c. Sistema de encendido
 - Bujía(s) de encendido
 - Sistema de encendido magneto
- d. Sistema del catalizador
 - Convertidor catalítico
 - Colector de escape
 - Sistema de inyección de aire o válvula de impulsos
- e. Elementos variados usados en los sistemas anteriores
 - Válvulas de vacío, sensibles a temperatura, posición y tiempo e interruptores
 - Conectores y montajes

2. Alcance de la cobertura

Sears garantiza al poseedor inicial y a los compradores subsiguientes que las piezas con garantía no tendrán defectos en materiales ni mano de obra que provoquen la falla de las mismas durante un período de dos años a partir de la fecha en que el motor se entrega a un comprador particular.

3. Sin cargo

La reparación o reemplazo de cualquier parte con garantía se realizará

sin cargo alguno para el poseedor, incluyendo tareas de diagnóstico que permitan determinar si una parte con garantía es defectuosa, siempre que dicho diagnóstico se realice en un distribuidor de servicios Sears autorizado. Para el servicio de la garantía de emisiones, contacte al distribuidor de servicios Sears autorizado más cercano incluido en las "Páginas amarillas" en las categorías "Motores, gasolina", "Motores de gasolina", "Podadoras de césped", o similares.

4. Reclamaciones y exclusiones a la cobertura

Las reclamaciones de la garantía deben enviarse de acuerdo con las disposiciones de la política de garantía para motores Sears. La cobertura de la garantía excluirá defectos en piezas con garantía que no sean partes originales Sears, o abuso, negligencia o mantenimiento incorrecto, tal y como se establece en la política de garantía para motores Sears. Sears no es responsable de las fallas en piezas con garantía provocadas por el uso de partes añadidas, que no sean originales o que se hayan modificado.

5. Mantenimiento

Cualquier parte con garantía que no esté programada para ser reemplazada como mantenimiento requerido, o que sólo deba inspeccionarse regularmente al efecto de "inspeccione o reemplace según sea necesario", estará garantizada contra defectos durante el período de la garantía. Todas las piezas garantizadas que estén programadas para su reemplazo para cumplir con los requisitos de mantenimiento estarán garantizadas sólo por el período anterior al primer reemplazo programado para dicha pieza. Cualquier pieza de recambio que sea equivalente en funcionamiento y durabilidad puede usarse para realizar mantenimiento o reparaciones. El propietario es responsable de realizar todo el mantenimiento requerido, tal y como se define en las instrucciones de funcionamiento y mantenimiento Sears

6. Cobertura indirecta

Por la presente, la cobertura se extiende a la falla de cualquier componente de motor provocada por la falla de una pieza con garantía que esté todavía en período de garantía.

En los Estados Unidos y Canadá hay una línea de atención de 24 horas, **1-800-469-4663**, que cuenta con un menú con mensajes pre-grabados que contienen información para el mantenimiento de motores.

Busque el período de duración de emisiones importantes y la información de clasificación de aire en la etiqueta de emisiones de su motor

Los motores cuyo cumplimiento con los estándares de emisión Tier 2 de la Comisión de Recursos Ambientales de California (CARB) esté certificado deben exhibir la información relacionada con el período de duración de las emisiones y la clasificación de aire. Sears, Roebuck and Co., de los Estados Unidos ponen esta información a disposición del consumidor en nuestras etiquetas de emisiones.

El Período de Duración de las Emisiones describe el número de horas de tiempo real de funcionamiento para el cual se certifica que el motor cumple con las reglas de emisión, descontando el mantenimiento adecuado del mismo según las instrucciones de operación y mantenimiento. Se utilizan las siguientes categorías:

Moderado: Se certifica que el motor cumple con las reglas de emisión durante 125 horas de tiempo real de funcionamiento del motor.

Inmediato: Se certifica que el motor cumple con las reglas de emisión durante 250 horas de tiempo real de funcionamiento del motor.

Extendido: Se certifica que el motor cumple con las reglas de emisión durante 500 horas de tiempo real de funcionamiento del motor.

Por ejemplo, una cortadora de césped típica que se empuja desde atrás se usa entre 20 y 25 horas por año. Por lo tanto, el **Período de Duración de Emisiones** de un motor con una **clasificación intermedia** sería equivalente a entre 10 y 12 años.

La **clasificación de aire** es un número calculado para describir el nivel relativo de emisiones para un grupo de motores en particular. Cuanto menor sea la **clasificación de aire**, mayor es la limpieza del motor. La información se presenta de forma gráfica en la etiqueta de emisiones.

Después del 1 de julio de 2000, busque el período de cumplimiento de las reglas de emisiones en la etiqueta de cumplimiento de las reglas de emisiones del motor

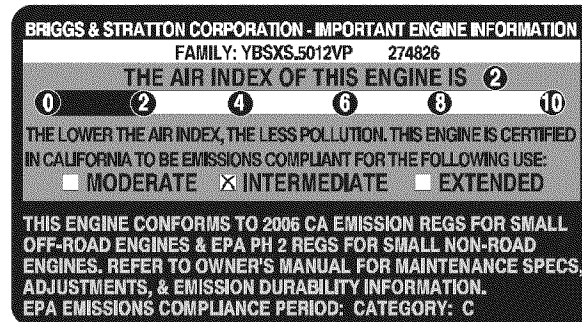
Después del 1 de julio de 2000 se certificará que determinados motores Sears, Roebuck and Co., de los Estados Unidos cumplen con los estándares de emisiones de la fase 2 de la Agencia de Protección Ambiental de los Estados Unidos (USEPA). Para los motores certificados para la etapa 2, el período de cumplimiento con las reglas de emisiones al cual se hace referencia en la etiqueta de cumplimiento con las reglas de emisiones indica el número de horas de funcionamiento para el cual se ha demostrado que el motor cumple con los requerimientos federales de emisión.

Para los motores con desplazamiento inferior a 225 cc, Categoría C = 125 horas, B = 250 horas y A = 500 horas.

Para los motores con desplazamiento de 225 cc o más, Categoría C = 250 horas, B = 500 horas y A = 1000 horas.

El desplazamiento de los motores de la serie modelo 150112 es 249 cc.

La presente es una representación genérica de la etiqueta de emisión que se encuentra generalmente en un motor certificado.



ACUERDO DE PROTECCIÓN PARA REPARACIONES

Felicitaciones por haber realizado una adquisición inteligente. El producto Craftsman® que ha adquirido está diseñado y fabricado para brindar muchos años de funcionamiento confiable. Pero como todos los productos a veces puede requerir de reparaciones. Es en ese momento cuando el disponer de un Acuerdo de protección para reparaciones le puede ahorrar dinero y problemas.

A continuación se detallan los puntos incluidos en el Acuerdo:

- **Servicio experto** prestado por nuestros 10,000 especialistas en reparaciones profesionales
- **Servicio ilimitado sin cargo** para las piezas y la mano de obra en todas las reparaciones cubiertas
- **Reemplazo del producto** hasta 1500 dólares si no es posible reparar el producto cubierto
- **Descuento de 10%** del precio normal del servicio y de las piezas relacionadas con el mismo que no estén cubiertas por el acuerdo; además, 10% del precio normal de la verificación de mantenimiento preventivo
- **Ayuda rápida por teléfono** - lo llamamos Resolución Rápida – el apoyo telefónico de un Chamusca al representante. Piense en nosotros como el manual “de un dueño hablador.”

Una vez adquirido el Acuerdo, puede programar el servicio con tan sólo realizar una llamada telefónica. Puede llamar en cualquier momento del día o de la noche o programar un servicio en línea. El Acuerdo de Protección de Reparación es una compra sin riesgo. Si usted anula por alguna razón durante el período de garantía de producto, proporcionaremos un reembolso lleno. O, un reembolso prorrateado en cualquier momento después del período de garantía de producto expira. ¡Adquiera hoy su acuerdo de protección para reparaciones!

Se aplican determinadas limitaciones y exclusiones. Para obtener información adicional y precios en los Estados Unidos llame al 1-800-827-6655.

El *Coverage en Canadá varía en algunos artículos. Para detalles llenos la llamada Chamusca Canadá en 1-800-361-6665.

Servicio de instalación de Sears

Si desea solicitar la instalación profesional de Sears de aparatos domésticos, dispositivos para abrir portones, calentadores de agua y otros artículos domésticos importantes, en los Estados Unidos o Canadá llame al **1-800-4-MY-HOME®**.

Get it fixed, at your home or ours!

Your Home

For expert troubleshooting and home solutions advice:

manage my home

www.managemyhome.com

For repair – **in your home** – of **all** major brand appliances, lawn and garden equipment, or heating and cooling systems, **no matter who made it, no matter who sold it!**

For the replacement parts, accessories and owner's manuals that you need to do-it-yourself.

For Sears professional installation of home appliances and items like garage door openers and water heaters.

1-800-4-MY-HOME® (1-800-469-4663)

Call anytime, day or night (U.S.A. and Canada)

www.sears.com www.sears.ca

Our Home

For repair of carry-in items like vacuums, lawn equipment, and electronics, call anytime for the location of your nearest

Sears Parts & Repair Service Center

1-800-488-1222 (U.S.A.) **1-800-469-4663** (Canada)

www.sears.com www.sears.ca

To purchase a protection agreement on a product serviced by Sears:

1-800-827-6655 (U.S.A.) **1-800-361-6665** (Canada)

Para pedir servicio de reparación a domicilio, y para ordenar piezas:

1-888-SU-HOGAR®

(1-888-784-6427)

Au Canada pour service en français:

1-800-LE-FOYER^{MC}

(1-800-533-6937)

www.sears.ca



® Registered Trademark / ™ Trademark / ™ Service Mark of Sears Brands, LLC

® Marca Registrada / ™ Marca de Fábrica / ™ Marca de Servicio de Sears Brands, LLC

MC Marque de commerce / MD Marque déposée de Sears Brands, LLC

© Sears Brands, LLC