

KitchenAid® 30" (76.2 CM) AND 36" (91.4 CM) CLASSIC COMMERCIAL-STYLE DUAL FUEL CONVECTION RANGE WITH STEAM-ASSIST

PRODUCT MODEL NUMBERS

KDRP707R
KDRP767R

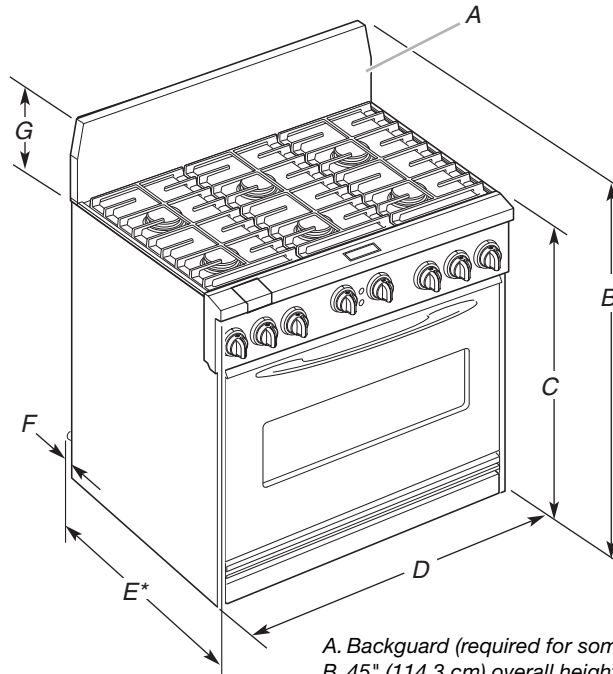
Gas supply: This range is design-certified by CSA International for use with Natural gas or, after proper conversion, for use with LP gas. This range is factory set for use with Natural gas. The model/serial rating plate located on the right vertical surface of the oven door frame has information on the types of gas that can be used. If the types of gas listed do not include the type of gas available, check with the local gas supplier.

Provide a gas supply line of $\frac{3}{4}$ " (1.9 cm) rigid pipe to the range location. With LP gas, piping or tubing size can be $\frac{1}{2}$ " (1.3 cm) minimum.

If local codes permit, a new CSA design-certified, 4 - 5 ft (122 - 152.4 cm) long, $\frac{5}{8}$ " (1.6 cm) or $\frac{3}{4}$ " (1.9 cm) I.D., flexible metal appliance connector may be used for connecting range to the gas supply line. A $\frac{1}{2}$ " (1.3 cm) male pipe thread is needed for connection to the female pipe threads of the inlet to the appliance pressure regulator.

Electrical: A 4-wire or 3-wire, single phase, 240 volt, 60 Hz., AC only electrical supply is required on a separate, 30-amp circuit, fused on both sides of the line. A time-delay fuse or circuit breaker is recommended. The range can be connected directly to the fused disconnect (or circuit breaker box) through flexible, armored or nonmetallic sheathed, copper or aluminum cable.

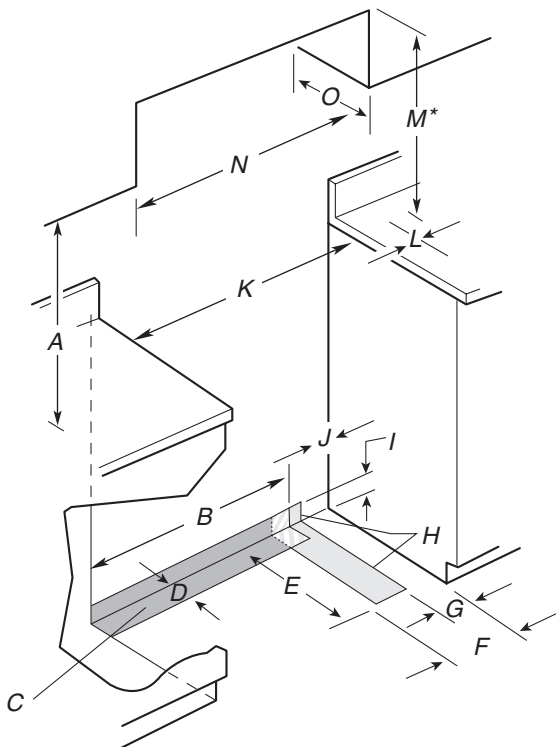
OVERALL DIMENSIONS



- A. Backguard (required for some installations)
- B. 45" (114.3 cm) overall height
- C. 36" (91.4 cm) cooktop height with feet loosened $\frac{3}{4}$ turn
- D. 36" (91.4 cm) model: D=36" (91.4 cm) width
30" (76.2 cm) model: D=30" (76.2 cm) width
- E. 26 $\frac{1}{2}$ " (67.3 cm) width with control panel, See NOTE*
- F. $\frac{1}{4}$ " (6.4 cm) spacer
- G. 9 $\frac{1}{4}$ " (23.5 cm) backguard height

*When installed in a 24" (61 cm) base cabinet with 25" (63.5 cm) countertop; front of oven door protrudes $\frac{1}{8}$ " (4.8 cm) beyond 24" (61 cm) base cabinet.

CABINET OPENING DIMENSIONS



- A. 18" (45.7 cm) upper cabinet to countertop
- B. 36" (91.4 cm) model: B = 28" (71.1 cm)
30" (76.2 cm) model: B = 22" (55.9 cm)
- C. Junction box to be located in this shaded area
- D. 4" (10.2 cm)
- E. 20" (50.8 cm)
- F. 12" (30.5 cm)
- G. 5 $\frac{1}{2}$ " (14 cm)
- H. Gas line opening to be located in this shaded area
- I. 3 $\frac{1}{2}$ " (8.9 cm)
- J. 8" (20.3 cm)
- K. 36" (91.4 cm) model: K = 36 $\frac{1}{4}$ " (92.1 cm)
30" (76.2 cm) model: K = 30 $\frac{1}{4}$ " (76.8 cm)
- L. 4" (10.2 cm) min. clearance from both sides of range to side wall or other combustible material
- M. For minimum clearance to top of range, see NOTE*
- N. 30" (76.2 cm) model: 30" (76.2 cm) min. upper cabinet width
- O. 13" (33 cm) max. upper cabinet depth

*NOTE: Minimum Clearances

30" (76.2 cm) models: 36" (91.4 cm) minimum clearance
36" (91.4 cm) models: 42" (106.7 cm) minimum clearance
When bottom of wood or metal cabinet is protected by not less than $\frac{1}{4}$ " (0.64 cm) flame retardant millboard covered with not less than No. 28 MSG sheet steel, 0.015" (0.4 mm) stainless steel, 0.024" (0.6 mm) aluminum or 0.020" (0.5 mm) copper.

30" (76.2 cm) models: 42" (106.7 cm) minimum clearance
36" (91.4 cm) models: 48" (121.9 cm) minimum clearance
Between the top of the cooking platform and the bottom of an unprotected wood or metal cabinet.

If installing a hood or a microwave hood combination above the range, follow the hood instructions for dimensional clearances above the cooktop surface.