



230-volt 50-Hz Gas Dryer Installation Instructions

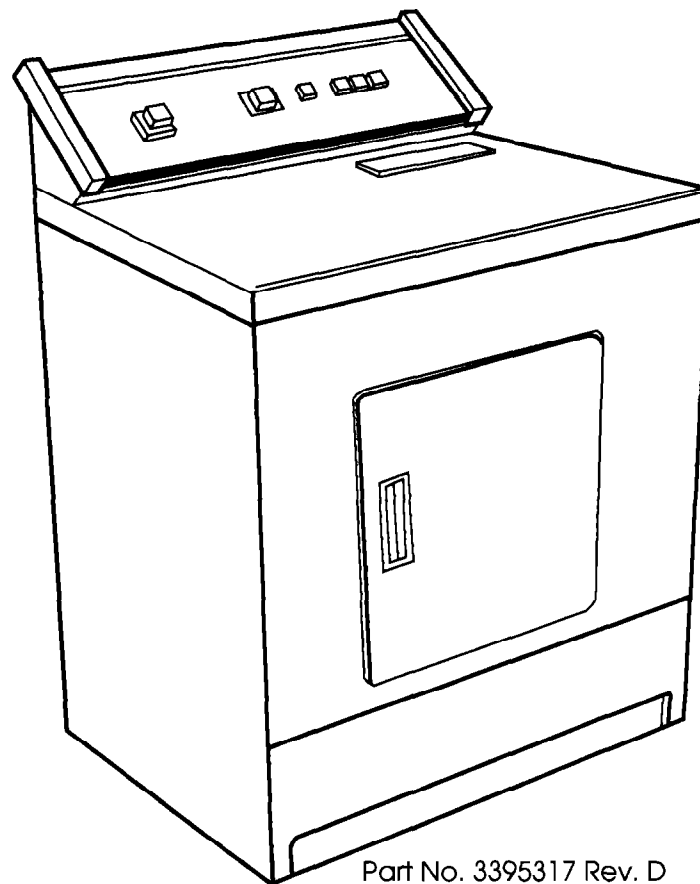
**IMPORTANT:
Read and save
these instructions.**

IMPORTANT:

Installer: Leave Installation Instructions with the homeowner.

Homeowner: Keep Installation Instructions for future reference.

Save Installation Instructions for local electrical inspector's use.



Part No. 3395317 Rev. D

11/94

Before you start...

Check location where dryer will be installed. Proper installation is your responsibility. The dryer must not be installed in an area where it will be exposed to water and/or weather. Make sure you have everything necessary for correct installation.

Grounded electrical outlet is required. See Electrical requirements.

Four-inch (10.2 cm) metal exhaust duct is required.

Check utilities: Proper gas and electric supply connections must be available.

Important: Observe all governing codes and ordinances.

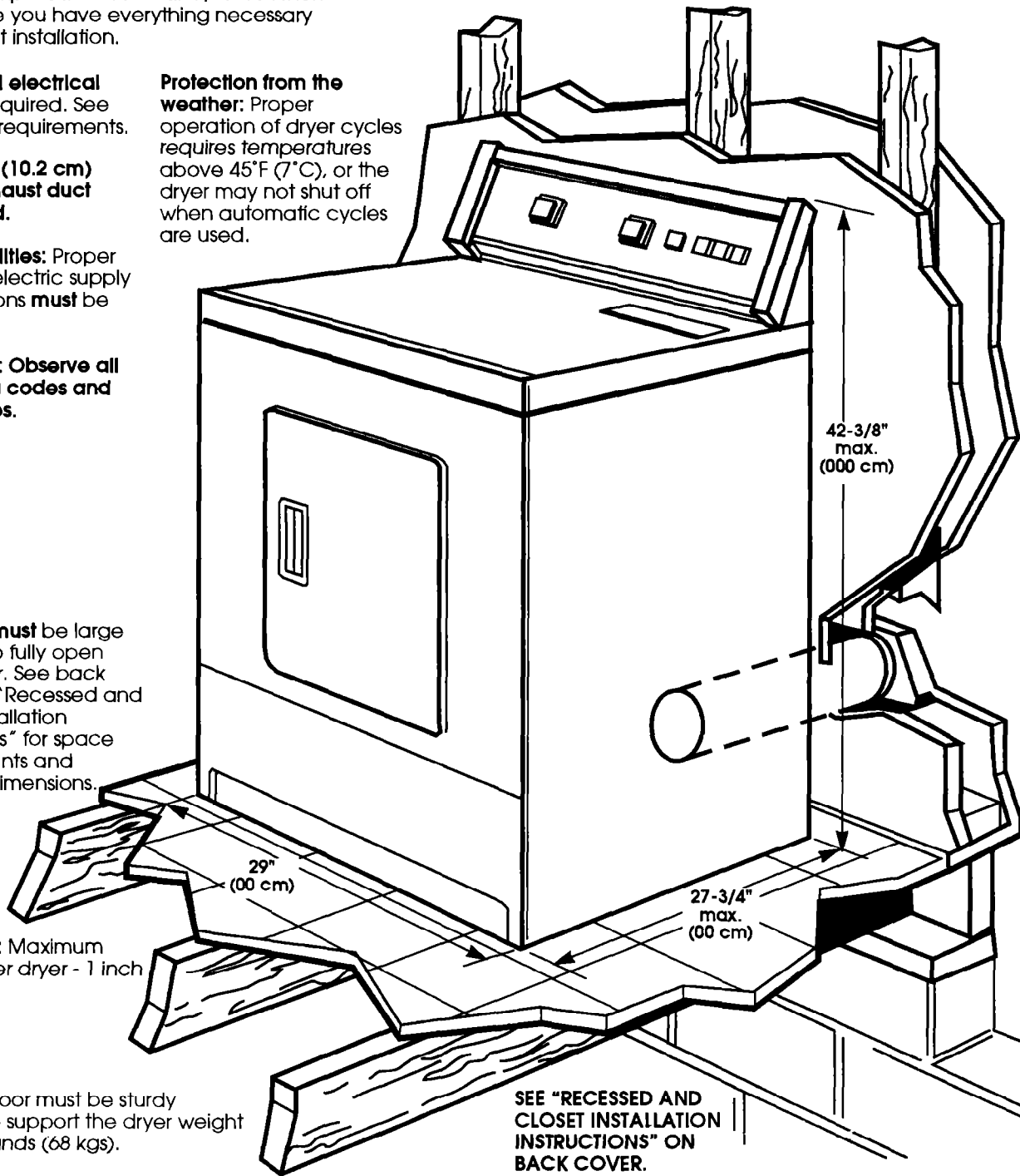
Location must be large enough to fully open dryer door. See back cover for "Recessed and closet installation instructions" for space requirements and product dimensions.

Level floor: Maximum slope under dryer - 1 inch (2.5 cm).

Support: Floor must be sturdy enough to support the dryer weight of 150 pounds (68 kgs).

Protection from the weather: Proper operation of dryer cycles requires temperatures above 45°F (7°C), or the dryer may not shut off when automatic cycles are used.

Check code requirements. Some codes limit or do not permit the installation of clothes dryers in garages, mobile homes, closets and sleeping quarters. Contact your local building inspector.



WARNING

Fire Hazard

For your safety the information in this manual must be followed to minimize the risk of fire or explosion or to prevent property damage, personal injury or loss of life.

- Do Not store or use gasoline or other flammable vapors and liquids in the vicinity of this or any other appliance.
- **WHAT TO DO IF YOU SMELL GAS**
 - Do Not try to light any appliance.
 - Do Not touch any electrical switch; Do Not use any phone in your building.
 - Clear the room, building or area of all occupants.
 - Immediately call your gas supplier from a neighbor's phone. Follow the gas supplier's instructions.
 - If you cannot reach your gas supplier, call the fire department.
- Never install dryer up against draperies or curtains or on carpet.
- Keep any and all items from falling or collecting behind the dryer.

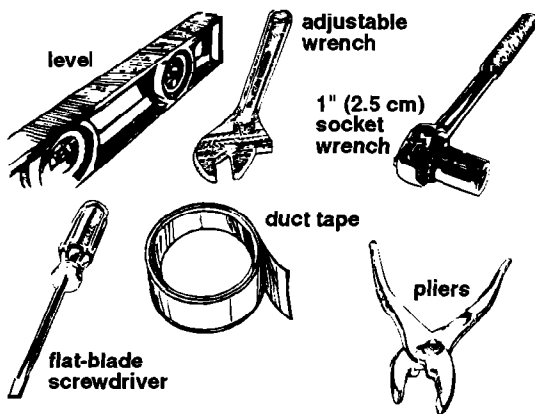
Installation and service must be performed by a qualified installer, service agency or the gas supplier.

Fire Hazard

If you install the dryer in a garage, carport, or areas near vehicles where fumes from gasoline or other flammable materials may be present, the vapors may be heavier than air and remain near floor. Place dryer a minimum of 18 inches (45.7 cm) above floor. Check with your building inspector regarding requirements for this installation.

Failure to follow these instructions could result in fire or explosion.

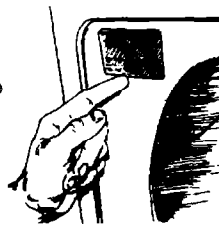
Tools and materials needed for installation:



A. This installation must conform with American National Standard, National Fuel Gas Code ANSI Z223.1 — latest edition, and all local codes and ordinances.

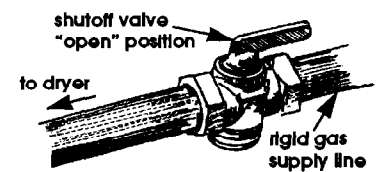
B. The design of this dryer has been certified by the American Gas Association for use at altitudes up to 10,000 feet above sea level at the B.T.U. rating indicated on the model/serial plate. Burner input adjustments are not required when the dryer is operated up to this elevation. When installed above 10,000 feet, a four percent (4%) reduction of the burner B.T.U. rating shown on the model/serial plate is required for each 1,000 foot increase in elevation. For assistance when converting to other gas types and/or installing above 10,000 feet elevation, contact your local service company.

C. Check that this dryer is equipped with the correct burner for the particular type of gas available. Burner information will be found on the serial/rating plate in door well of the appliance. If this information does not agree with the type of gas available, see your dealer.



D. This dryer is equipped for use with NATURAL GAS. It is certified by A.G.A. for manufactured, mixed and L.P. (propane or butane) gases with appropriate conversion. No attempt shall be made to convert the appliance from the gas specified on the serial/rating plate for use with a different gas without consulting the serving gas supplier. Conversion must be done by a qualified service technician. Gas conversion kit part numbers are listed on the gas valve burner base.

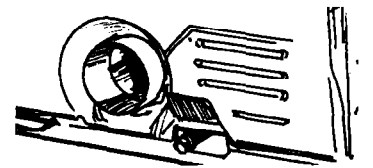
E. Provide a rigid gas supply line to the dryer location. When rigid pipe is used it should be 1/2-inch (12.7 mm) IPS. When acceptable to the gas supplier, 3/8-inch (9.5 mm) approved tubing may be used for lengths under 20 feet (600 cm). For lengths over 20 feet (600 cm), larger tubing should be used. Pipe-joint compounds resistant to the action of L.P. gas must be used.



F. The supply line shall be equipped with a shutoff valve. This valve should be located in the same room as the dryer and should be in a location that allows ease of opening and closing. Do not block access to shutoff valve.

G. If the dryer is installed in a confined area such as a bedroom, bathroom or closet, it must be exhausted to the outside and provision made for enough air for combustion and ventilation. (Check governing codes and ordinances.) Also refer to the section of this Instruction covering recessed and closet installations.

H. If local codes permit, it is recommended that new flexible metal tubing, design certified by the American Gas Association, be used for connecting the appliance to the gas supply line. (The gas pipe which extends through the lower rear of the appliance has 3/8-inch (9.5 mm) male pipe thread.)



Gas supply requirements

WARNING

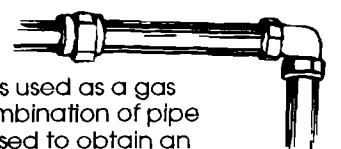
Fire Hazard

- This dryer must be connected to a regulated gas supply. Failure to do so could cause high-pressure gas release, resulting in a fire or explosion.
 - Have the L.P. gas checked by a qualified person before installing the dryer. The L.P. gas supply must not exceed a pressure of 13" (33 cm) water column.
 - New flexible tubing should be used. Reusing old flexible tubing might result in possible leaks or fire hazard.
- Failure to follow these instructions may result in fire or explosion.

OBSERVE ALL GOVERNING CODES AND ORDINANCES.

Panel A

I. If rigid pipe is used as a gas supply line, a combination of pipe fittings must be used to obtain an in-line connection to the dryer.



J. Make sure that lower edges of the cabinet, plus the back and bottom sides of the dryer are free of obstructions to permit adequate clearance of air openings for combustion air. See "Recessed and closet installation instructions" on the back cover, for minimum spacing requirements.

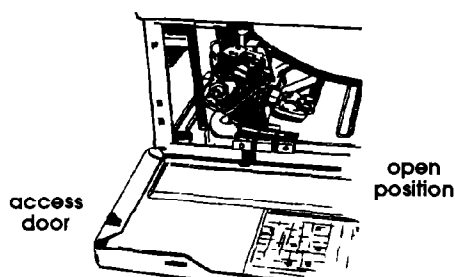
K. For ease of installation, operating and servicing (if ever needed) adequate space should be provided around the dryer.

L. A 1/8-inch (00 mm) NPT plugged tapping, accessible for test gauge connection, must be installed immediately upstream of the gas supply connection to the dryer.

The dryer and its individual shutoff valve must be disconnected from the gas supply piping system during any pressure testing of that system at test pressures in excess of 1/2 psig (3.45 kPa).

The dryer must be isolated from the gas supply piping system by closing its individual manual shutoff valve during any pressure testing of the gas supply piping system at test pressures equal to or less than 1/2 psig (3.45 kPa).

Important: Observe all governing codes and ordinances.



M. The dryer shutoff valve is located behind the lower front access panel. The wiring diagram is located inside the console. If necessary for service, open the access panel by pushing down on the locking clips with a small, flat-blade screwdriver, and pulling panel forward. The clips are located on top of the panel 3 inches (7.6 cm) in from each side. The panel is hinged at the bottom. Close the access panel after servicing. Do Not operate the dryer with the access panel open.

N. If the dryer is installed in a confined area such as a bathroom or closet, it must be exhausted to the outside and provision made for enough air for combustion and ventilation. (Check governing codes and ordinances.) Also refer to "Recessed and closet installation instructions."

Electrical requirements

⚠ WARNING

Electrical Shock Hazard

- Electrical ground is required on this appliance.
- Do Not ground to a gas pipe.
- Do Not modify the power supply cord plug. If it does not fit the outlet, have a proper outlet installed by a qualified electrician.
- Do Not have a fuse in the neutral or grounding circuit. A fuse in the neutral or grounding circuit could result in an electrical shock.
- Do Not use an extension cord with this appliance.
- Check with a qualified electrician if you are in doubt as to whether the appliance is properly grounded.

Failure to follow these instructions could result in serious injury or death.

If codes permit and a separate grounding wire is used, it is recommended that a qualified electrician determine that the grounding path is adequate.

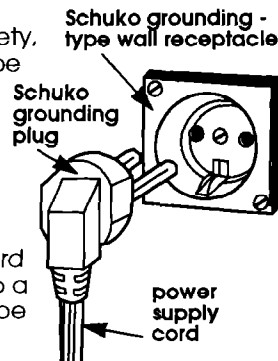
A 230-volt, 2-wire, Ac-only, single phase, 50-Hz, 15-ampere fused electrical supply is required. Time-delay fuse or circuit breaker is recommended. It is recommended that a separate circuit serving only this appliance be provided.

Panel B

Recommended grounding method

For your personal safety, this appliance must be grounded. This appliance is equipped with a Schuko type power supply cord.

To minimize possible shock hazard, the cord must be plugged into a mating grounding-type wall receptacle, grounded in accordance with local codes and ordinances. If a mating wall receptacle is not available, it is the personal responsibility and obligation of the customer to have a properly grounded wall receptacle installed by a qualified electrician.



Exhaust requirements

⚠ WARNING

Fire/Health Hazard

- Do Not use non-metal, flexible duct.
- Do Not use metal duct smaller than four inches in diameter.
- Do Not Use exhaust hoods with magnetic latches.
- Check that exhaust system is not longer than specified. Exhaust systems longer than specified will:
 - Accumulate lint.
 - Shorten the life of the dryer.
 - Reduce performance, resulting in longer drying times and increased energy usage.

Failure to follow specifications may result in a fire.

- Do Not exhaust dryer into a chimney, furnace cold air duct, attic or crawl space, or any other duct used for venting.
 - Clean the exhaust system every other year.
 - Do Not install flexible duct in enclosed walls, ceilings or floors.
- Accumulated lint could result in a fire or cause moisture damage.
- Exhaust the dryer outside to prevent exposure to substances in the gas fuels and combustion which may be harmful to your health.

The moisture and lint indoors may cause:

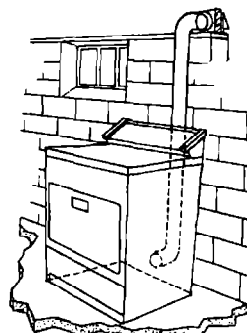
- FIRE HAZARD from lint collected in dryer;
- Moisture damage to woodwork, furniture, paint, wallpaper, carpet, etc.
- House cleaning problems and possible health problems.

Failure to follow these instructions could result in fire damage or personal injury.

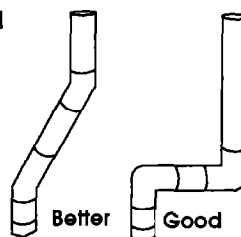


Use duct tape to seal all joints.

The exhaust duct can be routed up, down, left, right or straight out of the back of the dryer. Detailed space requirements can be found in "Recessed and closet installation instructions" on the back cover.



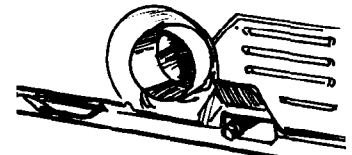
Four inch (10.2 cm) rigid metal pipe is preferred. Plan installation to use the fewest number of elbows and turns.



Metal flexible duct should be fully extended and supported when the dryer is in final position. DO NOT KINK OR CRUSH THE DUCT. The metal flexible duct must be completely open to allow adequate exhaust air to flow. Allow as much room as possible when using elbows or making turns. Bend duct gradually to avoid kinking. Remove excess flexible duct to avoid sagging and kinking that may result in reduced air flow.

An exhaust hood should cap the exhaust duct to prevent exhausted air from returning into dryer. The outlet of the hood must be at least 12 inches (30.5 cm) from the ground or anything else that may be in the path of the exhaust.

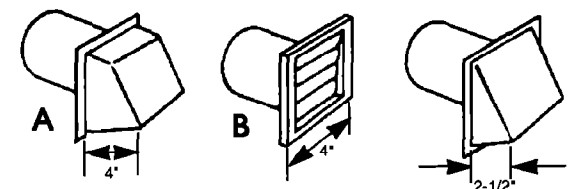
4-inch (10.2 cm) outlet hood is preferred. However, a 2-1/2 inch (6.4 cm) outlet may be used with systems of 10 feet (25.4 cm) or less. (This outlet creates greater back pressure than other hood types.)



The exhaust outlet is located at the bottom center back of the dryer.

Detailed space requirements can be found in the "Recessed and closet installation instructions" on the back cover and on the back panel of dryer.

The maximum length of the exhaust system depends upon the type of duct used, number of elbows and type of exhaust hood. The maximum length for both rigid and flexible duct is shown in chart.



NUMBER OF 90° TURNS	EXHAUST HOOD TYPE			
	A	B	C	
0	64 FT.	64 FT.	58 FT.	MAXIMUM LENGTH OF 4" DIA. RIGID METAL DUCT.
1	54 FT.	54 FT.	48 FT.	
2	44 FT.	44 FT.	38 FT.	
3	35 FT.	35 FT.	29 FT.	
4	27 FT.	27 FT.	21 FT.	
0	36 FT.	36 FT.	28 FT.	MAXIMUM LENGTH OF 4" DIA. FLEXIBLE METAL DUCT.
1	31 FT.	31 FT.	23 FT.	
2	27 FT.	27 FT.	19 FT.	
3	25 FT.	25 FT.	17 FT.	
4	23 FT.	23 FT.	15 FT.	

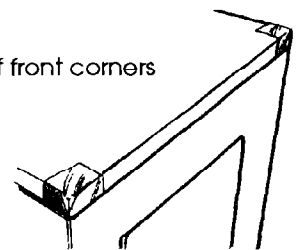
For exhaust systems not covered by the exhaust length chart, see Service Manual, Part No. 603197 available from your local parts distributor.

Service check: The back pressure in any exhaust system used must not exceed 0.6 inches (15.2 cm) of water column measured with an incline manometer at the point that the exhaust duct connects the dryer.

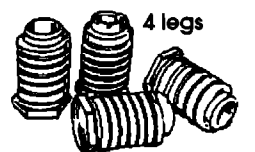
Now start...

With dryer in laundry area.

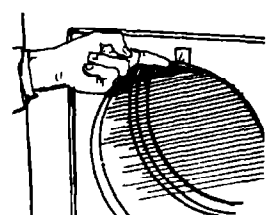
1. Take tape off front corners of dryer.

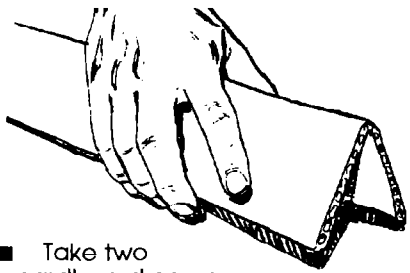


2. Open dryer and remove the literature and parts packages. If your dryer has tape on the door, remove tape, open door and remove the rest of the tape from dryer drum. Remove drying rack if your dryer has one. Remove all parts from the plastic packages. Check that all four leveling legs were included.



3. If your dryer drum was taped, move drum counterclockwise to make sure all tape was removed. Wipe the interior of the drum thoroughly with a damp cloth to remove any dust before using the dryer.

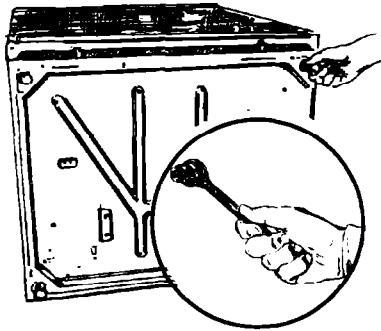
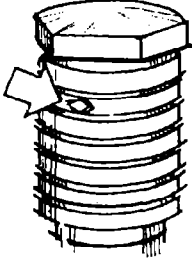




4. Take two of the cardboard corners from the carton and place them on the floor in back of the dryer.

5. Firmly grasp the body of the dryer and gently lay it on its back on the cardboard corners.

6. With one of the legs in hand, check the ridges for a diamond marking. That's how far the leg is supposed to go into the hole. Start to screw the legs into the holes by hand. Use a small amount of liquid detergent to lubricate the screw so it is easier to turn the leg.



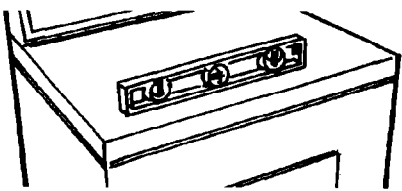
Use a 1-inch (2.5 cm) wrench or socket to finish turning the legs until you reach the diamond mark.

CAUTION

Floor Damage

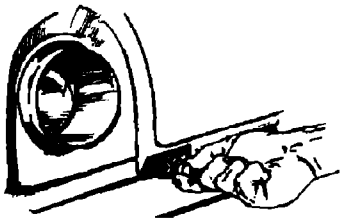
Slide dryer onto cardboard or hardboard before moving across floor. Failure to do so may cause damage to floor covering.

7. Now stand the dryer up and move it close to its final location.

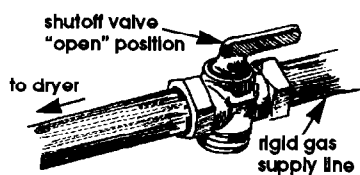


8. Check that dryer is level. Place a carpenter's level on the top of the dryer, first side to side, then front to back. If the dryer is not level, adjust the legs of the dryer up or down until dryer is level.

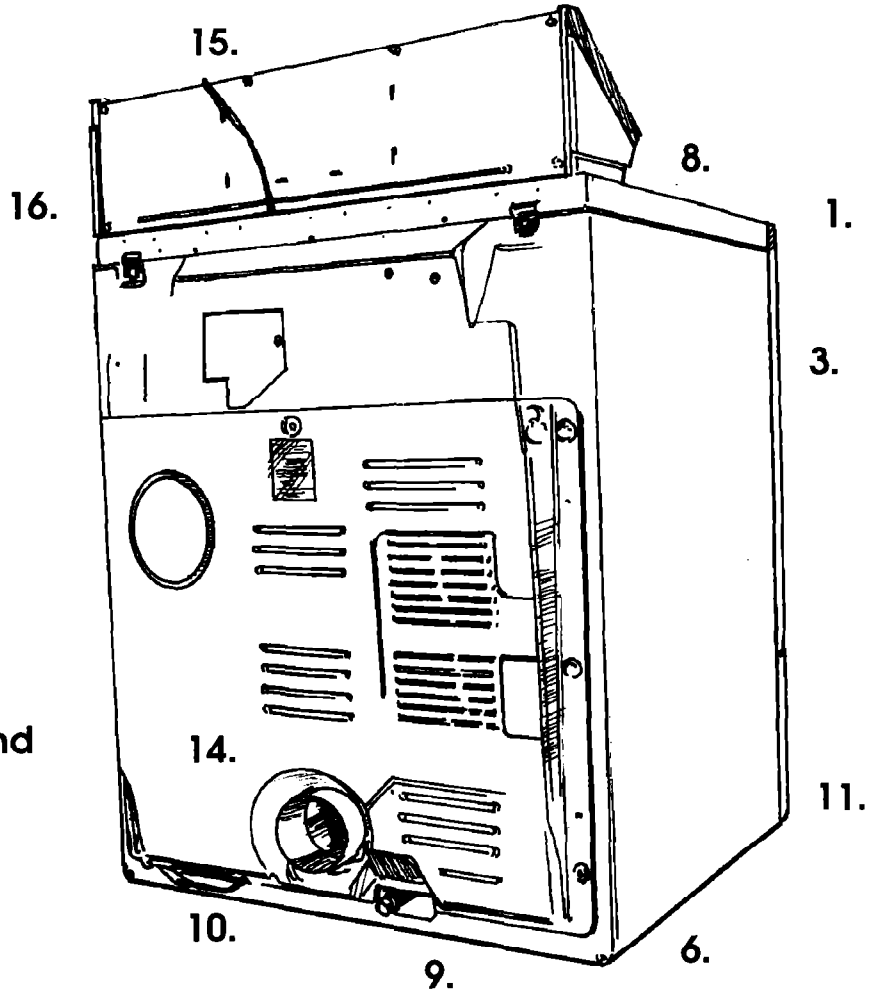
9. Remove the red cap from the gas pipe. Move the dryer into its final position.



10. Connect gas supply to dryer. Use pipe-joint compound resistant to the action of L.P. gas for gas connections. If flexible metal tubing is used, be certain there are no kinks.



11. Open the shutoff valve in the gas supply line.



Numbers correspond to steps.

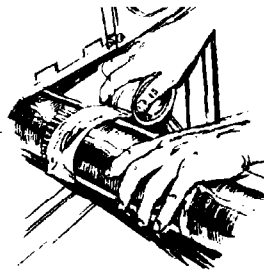
WARNING

Fire Hazard

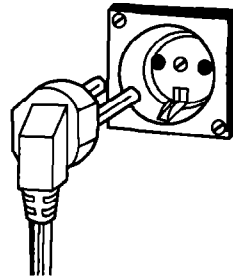
Do Not use an open flame to test for leaks from gas connections. Checking for leaks with a flame may result in a fire or explosion.

12. Use a brush and liquid detergent to test all external gas connections for leaks. Bubbles around connections will indicate a leak. If a leak appears, shut off gas valve controls and adjust connections. Then check connections again. **NEVER TEST FOR GAS LEAKS WITH A FLAME.** All connections must be wrench-tightened.

13. To exhaust the dryer, see Exhaust requirements. Connect exhaust duct to exhaust hood. Use duct tape to seal all joints in exhaust duct. Use caulking compound to seal exterior wall opening around exhaust hood.



14. Plug the power supply cord into the grounded outlet.



15. Check to make sure you have all the tools you started with on Panel A.

To operate dryer...

Check that the dryer is operating properly following installation:

- Close the access panel and dryer door.
- Pull timer set button left. Let the dryer run for five minutes.
- Select a full heat cycle.
- Push START/RESTART button. This will remove air from the gas supply line.
- If the burner does not ignite and you can feel no heat inside the dryer, shut off the dryer for five minutes. Check that all supply valve controls are in "ON" position and that the electrical cord is plugged in. Repeat the five-minute test until burner ignites.

General operation:

To start dryer—

- Close the dryer door.
- Pull timer set button left to run the dryer for the time desired.
- Select a full heat cycle.
- Push START/RESTART button.
- When dryer door is opened, dryer stops but timer continues to run. To restart, close door and push START/RESTART button. Dryer will stop when time is used up.

Periodically check dryer—

- If drying time is too long, make sure lint screen is clean.
- Inspect motor, blower and exhaust duct for lint accumulation. Large quantities of lint in these areas will affect performance of the dryer.

To get the most efficient use from your new dryer, read your Use and Care Guide. Keep Installation Instructions and Guide close to dryer for easy reference.

Recessed and closet installation instructions

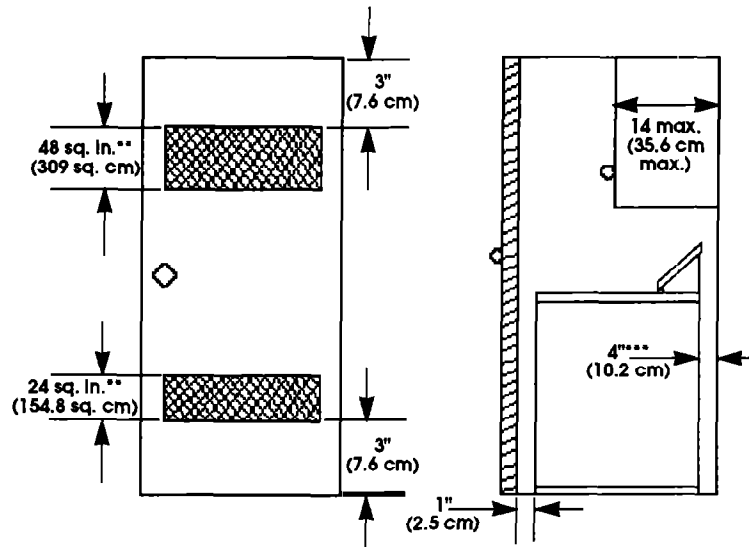
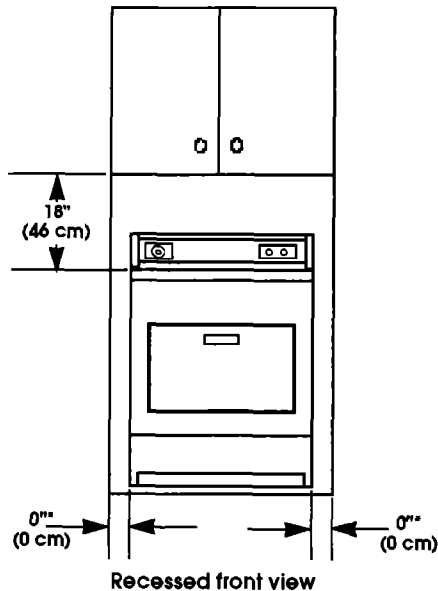
⚠ WARNING

Fire/Health Hazard

- Exhaust the dryer to the outside to prevent exposure to substances in the gas fuels and combustion by-products which may be harmful to your health.
- If dryer is installed in a closet, the dryer MUST be exhausted outside.

Failure to do so may result in a fire or health hazard.

The following installation spacings and door air openings for the dryer are possible when installed and exhausted as noted. (Spacing as indicated is in inches and is minimum allowable. For ease of installation and service, additional spacing should be considered.)



TO PREVENT LARGE AMOUNTS OF LINT AND MOISTURE FROM ACCUMULATING AND TO MAINTAIN DRYING EFFICIENCY, AND TO PREVENT EXPOSURE TO POSSIBLE HEALTH HAZARDS, THIS MACHINE MUST BE EXHAUSTED OUTDOORS.

- * Additional clearances for wall, door and floor moldings may be required.
- ** Opening is minimum for closet door. Louvered door with equivalent air openings is acceptable.
- *** Additional space is needed when external exhaust elbow is used.

Companion appliance spacings should be considered.

Detailed space requirements can be found on the label located on the back panel of dryer.

NOTE: No other fuel-burning appliance may be installed in the same closet.

If dryer does not operate properly...

If dryer will not operate, check to be sure that:

- Electrical supply is connected.
- The house fuse has not blown or circuit breaker has not tripped.
- Door is closed.
- Controls are set in a running or "ON" position.
- Start button has been pushed firmly.
- Gas supply line shutoff valve is open.

⚠ CAUTION

Floor Damage

Slide dryer onto cardboard or hardboard before moving across floor.

Failure to do so may cause damage to floor covering.

When moving the dryer...

- Disconnect the power supply cord and tape securely to dryer.
- Shut off the gas supply valve controls in the gas supply line.
- Disconnect gas pipe fittings from dryer and cap the gas supply line.
- Tape the drum to the front panel. Tape the dryer door, lint screen lid and end of dryer gas pipe.
- Turn leveling legs all the way in.

Before installing your dryer in your new home, check with your gas supplier or dealer to see that your dryer is equipped with the correct burner for the particular type of gas in your new home. Burner information may be found on the serial/rating plate in the door well of the dryer.

If you need assistance...

The Whirlpool Consumer Assistance Center will answer any questions about operating or maintaining your dryer not covered in the Installation Instructions. The Whirlpool Consumer Assistance Center is open 24 hours a day, 7 days a week. Just dial (800) 253-1301 — the call is free.

When you call, you will need the dryer model number and serial number. Both numbers can be found on the serial/rating plate located in the door well behind dryer door and on front of opening.

Printed on recycled paper.
10% post consumer waste/
50% recovered materials.

Part No. 3395317 Rev. D
©1994



Benton Harbor, Michigan 49022

Printed in U.S.A.