

# Installation Instructions

# Electric Dryer 10

Questions on Installation? Call: 800.GE.CARES (US)  
or visit our web site at: [www.GEAppliances.com](http://www.GEAppliances.com) (US)

## BEFORE YOU BEGIN

Read these instructions completely and carefully.

- **IMPORTANT** - Save these instructions for local inspector's use.
- **IMPORTANT** - Observe all governing codes and ordinances.
- **Note to Installer** - Be sure to leave these instructions with the customer.
- **Note to Customer** - Keep these instructions with your Owner's Manual for future reference.
- Before the old dryer is removed from service or discarded, remove the dryer door.
- Service information and the wiring diagram are located in the control console.
- Do not allow children on or in the appliance. Close supervision of children is necessary when the appliance is used near children.
- Install the dryer where the temperature is above 50°F for satisfactory operation of the dryer control system.
- Product failure due to improper installation is not covered under the Warranty.

## **⚠ WARNING RISK OF FIRE**

- To reduce the risk of severe injury or death, follow all installation instructions.
- Clothes dryer installation must be performed by a qualified installer.
- Install the clothes dryer according to these instructions and in accordance with local codes.
- This dryer must be exhausted to the outdoors.
- Use only rigid metal 4" diameter ductwork inside the dryer cabinet and use only UL approved transition ducting between the dryer and the home duct.
- DO NOT install a clothes dryer with flexible plastic ducting materials. If flexible metal (semi-rigid or foil-type) duct is installed, it must be UL listed and installed in accordance with the instructions found in "Connecting The Dryer To House Vent" on pages 4-5 of this manual. Flexible venting materials are known to collapse, be easily crushed, and trap lint. These conditions will obstruct dryer airflow and increase the risk of fire.
- Do not install or store this appliance in any location where it could be exposed to water and or weather.
- Save these instructions. (Installers: Be sure to leave these instructions with the customer).

**NOTE: Installation and service of this dryer requires basic mechanical and electrical skills. It is your responsibility to contact a qualified installer to make the electrical connections.**

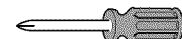
## TOOLS YOU WILL NEED



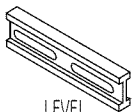
SLIP JOINT PLIERS



FLAT BLADE SCREWDRIVER

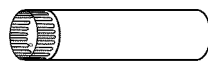


PHILLIPS SCREWDRIVER

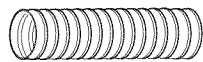


LEVEL

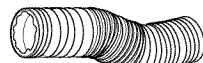
## MATERIALS YOU WILL NEED



4" DIA. METAL DUCT  
(RECOMMENDED)



4" DIA. FLEXIBLE METAL (SEMI-RIGID)  
UL LISTED TRANSITION DUCT  
(IF NEEDED)  
KIT WX08X10077 (INCLUDES 2 ELBOWS)



4" DIA. FLEXIBLE METAL (FOIL TYPE)  
UL LISTED TRANSITION DUCT  
(IF NEEDED.)



4" DUCT  
CLAMPS (2)



4" SPRING  
CLAMPS (2)



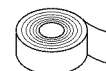
4" COVER PLATE (IF NEEDED)  
(KIT WE1M454)



4" DIA. METAL  
ELBOW



EXHAUST  
HOOD



DUCT TAPE



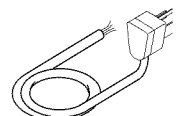
GLOVES



SAFETY  
GLASSES



3/4" STRAIN  
RELIEF  
UL RECOGNIZED



DRYER POWER  
CORD KIT  
(NOT PROVIDED  
WITH DRYER)

UL RATED  
120/240V, 30A  
WITH 3 OR 4 PRONGS.  
IDENTIFY THE PLUG  
TYPE AS PER THE  
HOUSE RECEPTACLE  
BEFORE PURCHASING  
LINE CORD.

- Step 1 Prepare the area and exhaust for installation of new dryer (see section 1).
- Step 2 Check and ensure the existing external exhaust is clean (see section 1) and meets attached installation specifications (see section 3).
- Step 3 Remove the foam shipping pads (see section 1).
- Step 4 Move the dryer to the desired location.
- Step 5 Connect the power supply (see section 2).
- Step 6 Connect the external exhaust (see section 4).

- Step 7 Level your dryer (see section 5).
- Step 8 Check the operation of the power supply and venting.
- Step 9 Place the Owner's Manual and the Installation Instructions in a location where they will be noticed by the owner.

For alcove or closet installation, see section 6.

For bathroom or bedroom installation, see section 7.

For mobile or manufactured home, see section 8.

For garage installation (if allowed by local codes), see section 9.

For side or bottom exhaust, see section 10.

234D1052P005 31-16629-2 03-12 GE

# Installation Instructions

## Minimum Clearance Other Than Alcove or Closet Installation

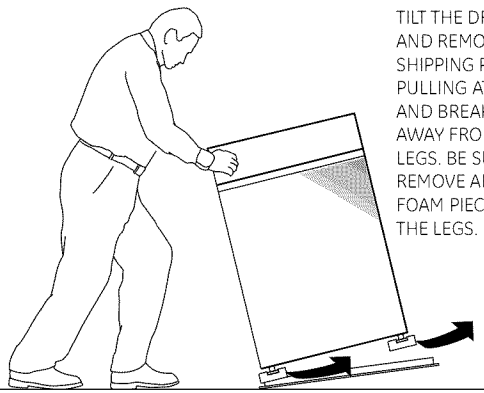
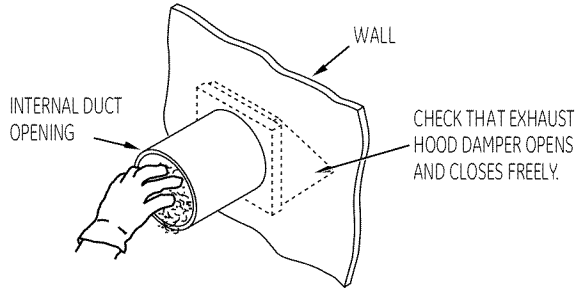
Minimum clearance to combustible surfaces and for air opening are: 0 in. clearance both sides, 1 in. front and 3 in. rear. Consideration **must** be given to provide adequate clearance for installation and service.

### 1 PREPARING FOR INSTALLATION OF NEW DRYER

TIP: Install your dryer before installing your washer. This will allow better access when installing dryer exhaust.

#### REMOVING LINT FROM WALL EXHAUST OPENING

- Remove and discard existing plastic or metal foil transition duct and replace with UL listed transition duct.



### 2 ELECTRICAL CONNECTION INFORMATION

#### **⚠ WARNING - TO REDUCE THE RISK OF FIRE, ELECTRICAL SHOCK AND PERSONAL INJURY:**

- DO NOT USE AN EXTENSION CORD OR AN ADAPTER PLUG WITH THIS APPLIANCE.

Dryer must be electrically grounded in accordance with local codes and ordinances, or in the absence of local codes, in accordance with the *NATIONAL ELECTRICAL CODE, ANSI/NFPA NO. 70*.

#### ELECTRICAL REQUIREMENTS

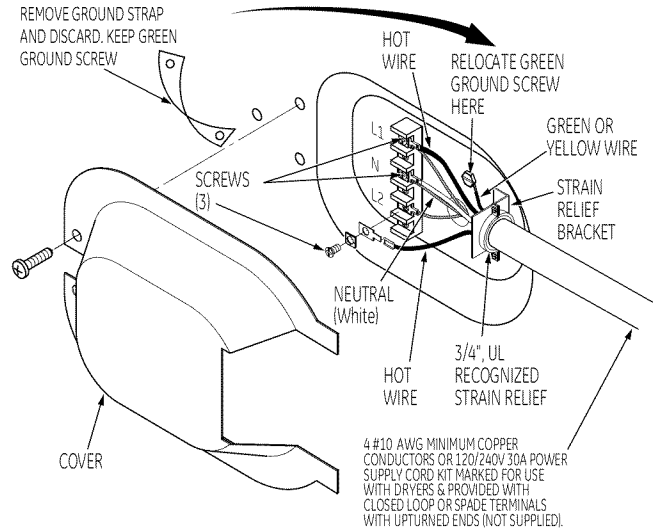
This dryer must be connected to an individual branch circuit, protected by the required time-delay fuses or circuit breakers. A four or three-wire, single phase, 120/240V or 120/208V, 60Hz, 30 amp circuit is required.

#### GROUNDING INSTRUCTIONS

This dryer must be connected to a grounded metal, permanent wiring system, or an equipment-grounding conductor must be run with the circuit conductors and connected to the equipment grounding terminal on the appliance.

### CONNECTING DRYER USING 4-WIRE CONNECTION (MUST BE USED FOR MOBILE HOME INSTALLATION)

NOTE: Since January 1, 1996, the National Electric code requires that the new constructions utilize a 4-wire connection to an electric dryer.



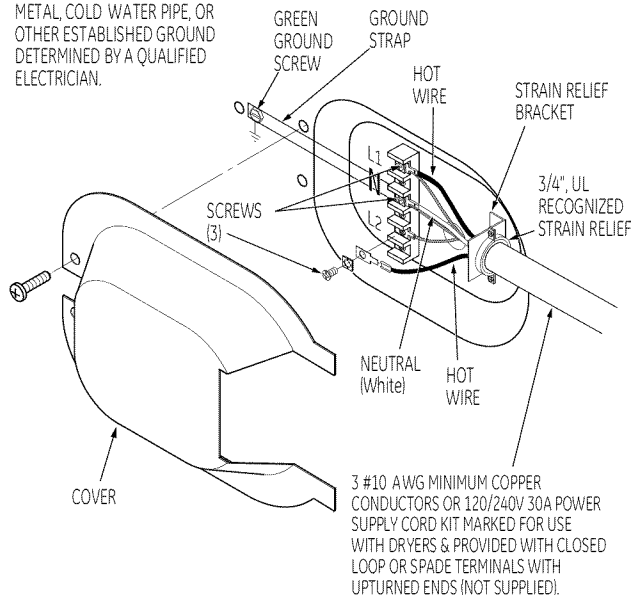
- Turn off the circuit breaker(s) (30 amp) or remove the dryer's circuit fuse at the electrical box.
- Be sure the dryer cord is unplugged from the wall receptacle.
- Remove the power cord cover located at the lower back.
- Remove and discard ground strap. Keep the green ground screw for step 7.
- Install 3/4 in. UL recognized strain relief to power cord entry hole. Bring power cord through strain relief.
- Connect power cord as follows:
  - Connect the 2 hot lines to the outer screws of the terminal block (marked L1 and L2).
  - Connect the neutral (white) line to the center of the terminal block (marked N).
- Attach ground wire of power cord with the green ground screw (hole above strain relief bracket). Tighten all terminal block screws (3) securely.
- Properly secure power cord to strain relief.
- Reinstall the cover.

**⚠ WARNING: NEVER LEAVE THE COVER OFF OF THE TERMINAL BLOCK.**

# Installation Instructions

## CONNECTING DRYER USING 3-WIRE CONNECTION

IF REQUIRED, BY LOCAL CODE, INSTALL EXTERNAL GROUND (NOT PROVIDED) TO GROUNDED METAL, COLD WATER PIPE, OR OTHER ESTABLISHED GROUND DETERMINED BY A QUALIFIED ELECTRICIAN.



### 3-wire Connection

Not for use in Canada.

DO NOT use for Mobile Home Installations.

NOT for use on new construction.

NOT for use on recreational vehicles.

NOT for use in areas where local codes prohibit grounding through the neutral conduction.

1. Turn off the circuit breaker(s) (30 amp) or remove the dryer's circuit fuse at the electrical box.
2. Be sure the dryer cord is unplugged from the wall.
3. Remove the power cord cover located at the lower back.
4. Install 3/4 in. UL recognized strain relief to power cord entry hole. Bring power cord through strain relief.
5. Connect power cord as follows:
  - A. Connect the 2 hot lines to the outer screws of the terminal block (marked L1 and L2).
  - B. Connect the neutral (white) line to the center of the terminal block (marked N).
6. Be sure ground strap is connected to neutral (center) terminal of block and to green ground screw on cabinet rear. Tighten all terminal block screws (3) securely.
7. Properly secure power cord to strain relief.
8. Reinstall the cover.

**⚠ WARNING: NEVER LEAVE THE COVER OFF OF THE TERMINAL BLOCK.**

## 3 EXHAUST INFORMATION

**⚠ WARNING - IN CANADA AND IN THE UNITED STATES, THE REQUIRED EXHAUST DUCT DIAMETER IS 4 in (102mm). DO NOT USE DUCT LONGER THAN SPECIFIED IN THE EXHAUST LENGTH TABLE.**

Using exhaust longer than specified length will:

- Increase the drying times and the energy cost.
- Reduce the dryer life.
- Accumulate lint, creating a potential fire hazard.

**The correct exhaust installation is YOUR RESPONSIBILITY. Problems due to incorrect installation are not covered by the warranty.**

Remove and discard existing plastic or metal foil transition duct and replace with UL listed transition duct. The **MAXIMUM ALLOWABLE** duct length and number of bends of the exhaust system depends upon the type of duct, number of turns, the type of exhaust hood (wall cap), and all conditions noted below. The maximum duct length for rigid metal duct is shown in the table below.

### EXHAUST LENGTH

	RECOMMENDED MAXIMUM LENGTH	
	Exhaust Hood Types	
	Recommended	Use only for short run installations
No. of 90° Elbows	Rigid Metal	Rigid Metal
0	90 Feet	60 Feet
1	60 Feet	45 Feet
2	45 Feet	35 Feet
3	35 Feet	25 Feet
4	25 Feet	15 Feet

### EXHAUST SYSTEM CHECK LIST

#### HOOD OR WALL CAP

- Terminate in a manner to prevent back drafts or entry of birds or other wildlife.
- Termination should present minimal resistance to the exhaust air flow and should require little or no maintenance to prevent clogging.
- Never install a screen in or over the exhaust duct. This could cause lint build up.
- Wall caps must be installed at least 12 in. above ground level or any other obstruction with the opening pointed down.

#### SEPARATION OF TURNS

For best performance, separate all turns by at least 4 ft. of straight duct, including distance between last turn and exhaust hood.

#### URNS OTHER THAN 90°

- One turn of 45° or less may be ignored.
- Two 45° turns should be treated as one 90° turn.
- Each turn over 45° should be treated as one 90° turn.

# Installation Instructions

## SEALING OF JOINTS

- All joints should be tight to avoid leaks. The male end of each section of duct must point away from the dryer.
- The duct shall not be assembled with screws or other fastening means that extend into the duct and catch lint.
- Duct joints can be made air and moisture-tight by wrapping the overlapped joints with duct tape.
- Horizontal runs should slope down toward the outdoors 1/4 inch per foot.

## INSULATION

Duct work that runs through an unheated area or is near air conditioning should be insulated to reduce condensation and lint build-up.

## 4 EXHAUST CONNECTION

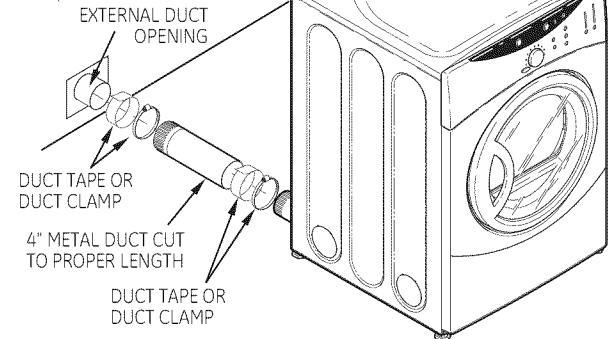
### **⚠ WARNING - TO REDUCE THE RISK OF FIRE OR PERSONAL INJURY:**

- This clothes dryer must be exhausted to the outdoors.
- Use only 4" rigid metal ducting for the home exhaust duct.
- Use only 4" rigid metal or UL-listed flexible metal (semi-rigid or foil-type) duct to connect the dryer to the home exhaust duct. It must be installed in accordance with the instructions found in "Connecting the Dryer to House Vent" on pages 4-5 of this manual.
- Do not terminate exhaust in a chimney, a wall, a ceiling, gas vent, crawl space, attic, under an enclosed floor, or in any other concealed space of a building. The accumulated lint could create a potential fire hazard.
- Never terminate the exhaust into a common duct with a kitchen exhaust system. A combination of grease and lint creates a potential fire hazard.
- Do not use duct longer than specified in the exhaust length table. Longer ducts can accumulate lint, creating a potential fire hazard.
- Never install a screen in or over the exhaust duct. This will cause lint to accumulate, creating a potential fire hazard.
- Do not assemble ductwork with any fasteners that extend into the duct. These fasteners can accumulate lint, creating a potential fire hazard.
- Do not obstruct incoming or exhausted air.
- Provide an access for inspection and cleaning of the exhaust system, especially at turns and joints. Exhaust system shall be inspected and cleaned at least once a year.

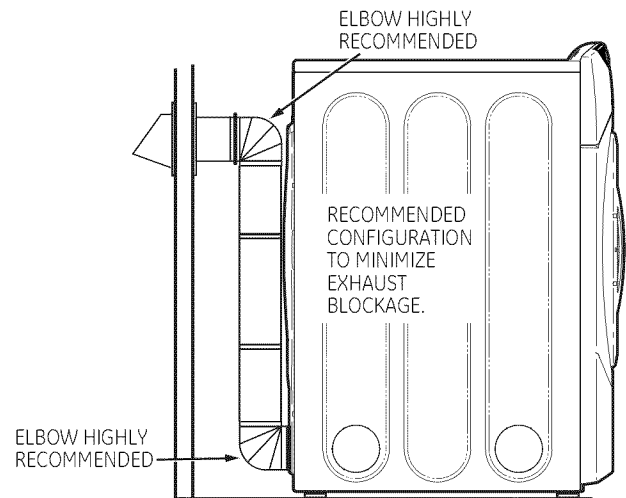
**There are multiple installation options. Select the most appropriate method for your installation situation.**

## STANDARD REAR EXHAUST (Vented at floor level)

For straight line installation, connect the dryer exhaust to the external exhaust hood using duct tape or clamp.



## STANDARD REAR EXHAUST (Vented above floor level)



## CONNECTING THE DRYER TO HOUSE VENT RIGID METAL TRANSITION DUCT

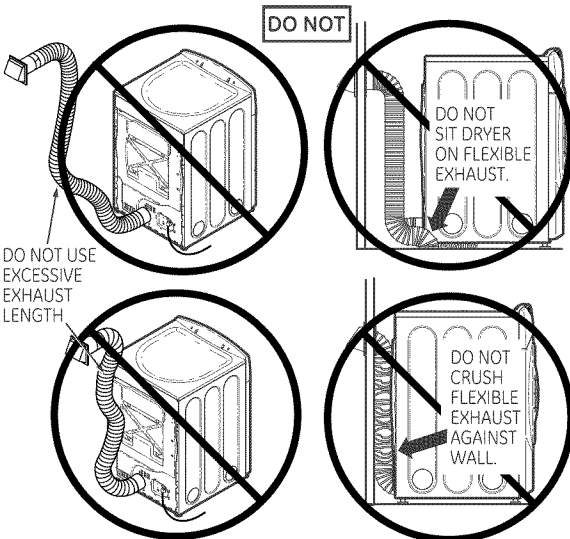
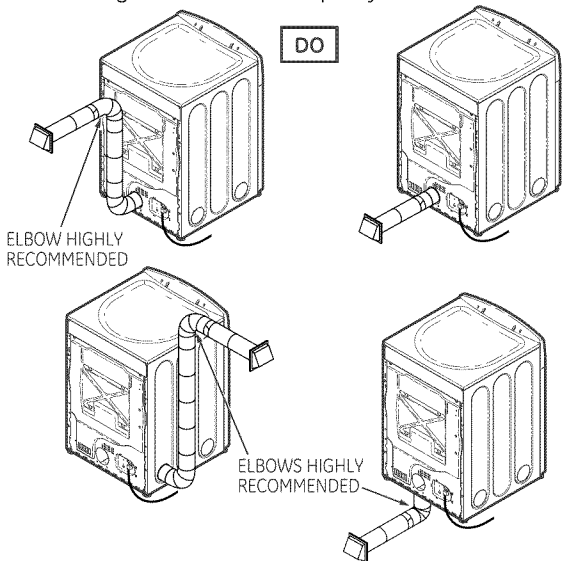
- For best drying performance, a rigid metal transition duct is recommended.
- Rigid metal transition ducts reduce the risk of crushing and kinking.
- UL-LISTED FLEXIBLE METAL (SEMI-RIGID) TRANSITION DUCT
- If rigid metal duct cannot be used, then UL-listed flexible metal (semi-rigid) ducting can be used (Kit WX08X10077).
- Never install flexible metal duct in walls, ceilings, floors or other enclosed spaces.
- Total length of flexible metal duct should not exceed 8 feet (2.4m).

# Installation Instructions

- For many applications, installing elbows at both the dryer and the wall is highly recommended (see illustrations below). Elbows allow the dryer to sit close to the wall without kinking and or crushing the transition duct, maximizing drying performance.
- Avoid resting the duct on sharp objects.

## UL-LISTED FLEXIBLE METAL (FOIL-TYPE) TRANSITION DUCT

- In special installations, it may be necessary to connect the dryer to the house vent using a flexible metal (foil-type) duct. A UL-listed flexible metal (foil-type) duct may be used **ONLY** in installations where rigid metal or flexible metal (semi-rigid) ducting cannot be used **AND** where a 4" diameter can be maintained throughout the entire length of the transition duct.
- In Canada and the United States, only the flexible metal (foil-type) ducts that comply with the "Outline for Clothes Dryer Transition Duct Subject 2158A" shall be used.
- Never install flexible metal duct in walls, ceilings, floors or other enclosed spaces.
- Total length of flexible metal duct should not exceed 8 feet (2.4m).
- Avoid resting the duct on sharp objects.

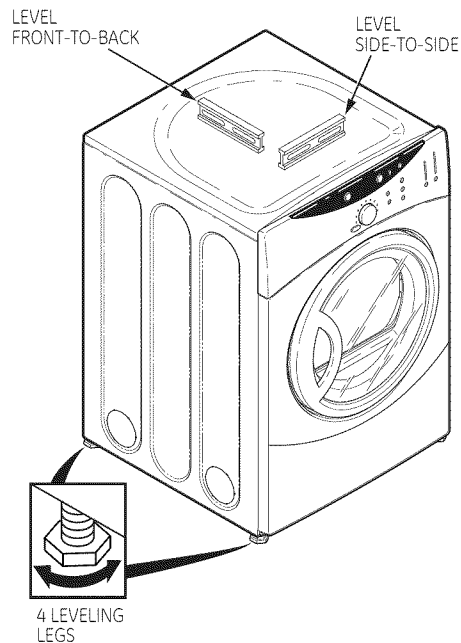


## For best drying performance

- 1 Slide one end of the duct over the clothes dryer outlet pipe.
- 2 Secure the duct with a clamp.
- 3 With the dryer in its permanent position, extend the duct to its full length. Allow 2" of duct to overlap the exhaust pipe. Cut off and remove excess duct. Keep the duct as straight as possible for maximum airflow.
- 4 Secure the duct to the exhaust pipe with the other clamp.

## 5 LEVELING AND STABILIZING YOUR DRYER

Stand the dryer upright near the final location and adjust the 4 leveling legs, at the corners, to ensure that the dryer is level from side to side and front to rear.



## 6 ALCOVE OR CLOSET INSTALLATION

- If your dryer is approved for installation in an alcove or closet, it will be stated on a label on the dryer back.
- The dryer **MUST** be vented to the outdoors. See the **EXHAUST INFORMATION** sections 3 & 4.
- Minimum clearance between dryer cabinet and adjacent walls or other surfaces is:
  - 0 in. either side
  - 3 in. front
  - 3 in. rear
- Minimum vertical space from floor to overhead cabinets, ceiling, etc. is 52 in.
- Closet doors must be louvered or otherwise ventilated and must contain a minimum of 60 sq. in. of open area equally distributed. If the closet contains both a washer and a dryer, doors must contain a minimum of 120 sq. in. of open area equally distributed.

**NOTE: WHEN THE EXHAUST DUCT IS LOCATED AT THE REAR OF THE DRYER, MINIMUM CLEARANCE FROM THE WALL IS 5.5 in.**

# Installation Instructions

## 7 BATHROOM OR BEDROOM INSTALLATION

- The dryer MUST be vented to the outdoors. See EXHAUST INFORMATION section 3 & 4.
- The installation must conform with local codes or, in the absence of local codes, with the NATIONAL ELECTRICAL CODE, ANSI/NFPA NO. 70.

## 8 MOBILE OR MANUFACTURED HOME INSTALLATION

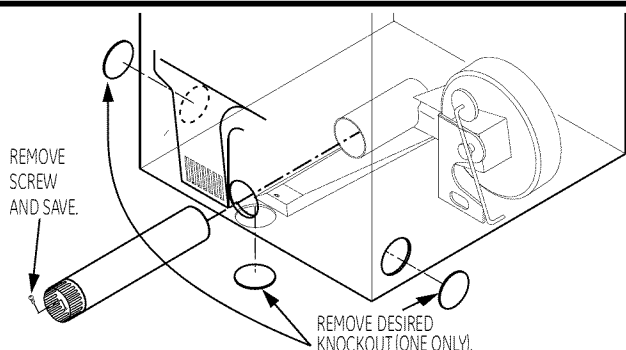
- Installation must conform to the MANUFACTURED HOME CONSTRUCTION & SAFETY STANDARD, TITLE 24, PART 32-80 or, when such standard is not applicable, with AMERICAN NATIONAL STANDARD FOR MOBILE HOME, ANSI/NFPA NO. 501B.
- The dryer MUST be vented to the outdoors with the termination securely fastened to the mobile home structure. (See EXHAUST INFORMATION section 3 & 4).
- The vent MUST NOT be terminated beneath a mobile or manufactured home.
- The vent duct material MUST BE METAL.
- Do not use sheet metal screws or other fastening devices which extend into the interior of the exhaust vent.
- See section 2 for electrical connection information.

## 9 GARAGE INSTALLATION (IF ALLOWED BY LOCAL CODES)

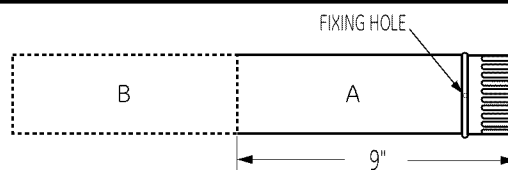
- Dryers installed in garages must be elevated 18 inches (46cm) above the floor.

## 10 DRYER EXHAUST TO RIGHT, LEFT OR BOTTOM CABINET

**⚠ WARNING - BEFORE PERFORMING THIS EXHAUST INSTALLATION, BE SURE TO DISCONNECT THE DRYER FROM ITS ELECTRICAL SUPPLY. PROTECT YOUR HANDS AND ARMS FROM SHARP EDGES WHEN WORKING INSIDE THE CABINET. BE SURE TO WEAR GLOVES.**

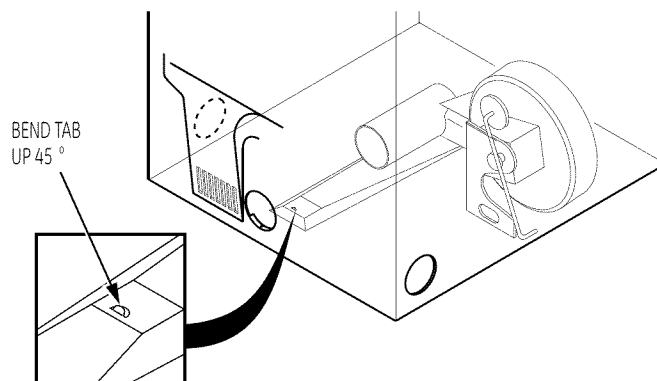


Detach and remove the bottom, right or left side knockout as desired. Remove the screw inside the dryer exhaust duct and save. Pull the duct out of the dryer.



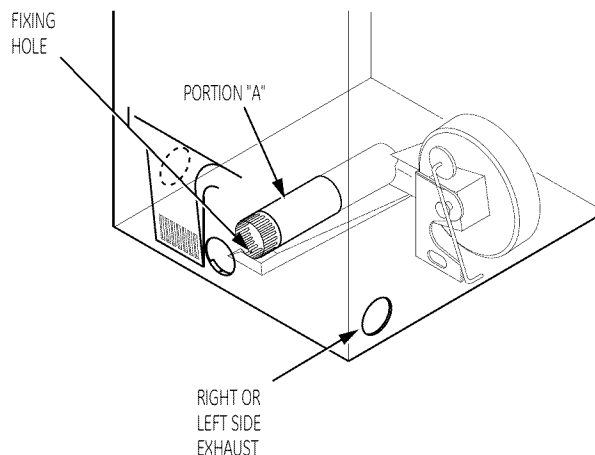
Cut the duct as shown and keep portion A.

## TAB LOCATION



Through the rear opening, locate the tab in the middle of the appliance base. Lift the tab to about 45° using a flat blade screwdriver.

## ADDING NEW DUCT



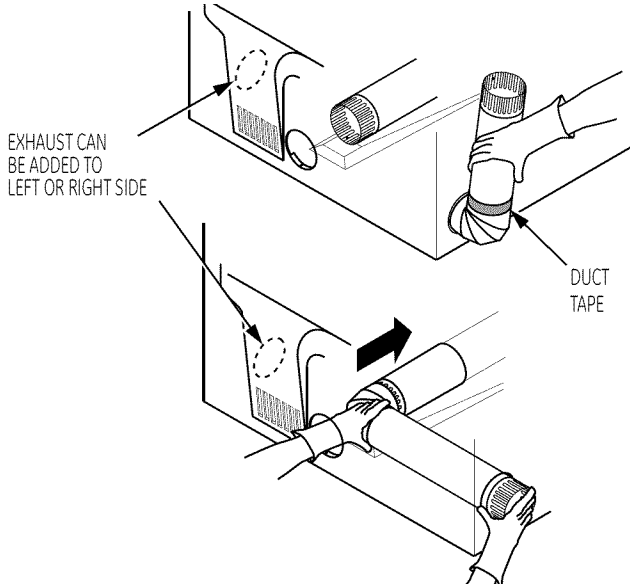
Reconnect the cut portion (A) of the duct to the blower housing. Make sure that the shortened duct is aligned with the tab in the base. Use the screw saved previously to secure the duct in place through the tab on the appliance base.

# Installation Instructions

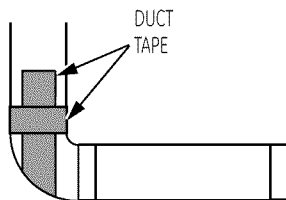
## ADDING ELBOW AND DUCT FOR EXHAUST TO LEFT OR RIGHT SIDE OF CABINET

- Preassemble 4" elbow with 4" duct. Wrap duct tape around joint.
- Insert duct assembly, elbow first, through the side opening and connect the elbow to the dryer internal duct.

**CAUTION:** Be sure not to pull or damage the electrical wires inside the dryer when inserting the duct.



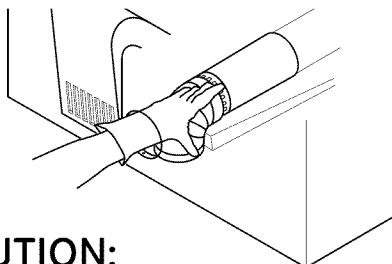
- Apply duct tape as shown on the joint between the dryer internal duct and the elbow.



**CAUTION:** Internal duct joints must be secured with tape, otherwise they may separate and cause a safety hazard.

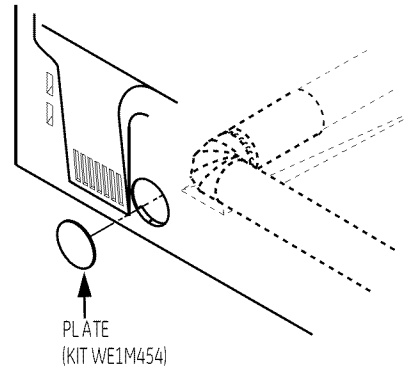
## ADDING ELBOW FOR EXHAUST THROUGH BOTTOM OF CABINET

- Insert the elbow through the rear opening and connect it to the dryer internal duct.
- Apply duct tape on the joint between the dryer internal duct and elbow, as shown above.



**CAUTION:** Internal duct joints must be secured with tape, otherwise they may separate and cause a safety hazard.

## ADDING COVER PLATE TO REAR OF CABINET (SIDES AND BOTTOM EXHAUST)



Connect standard metal elbows and ducts to complete the exhaust system. Cover back opening with a plate (Kit WE1M454) available from your local service provider. Place dryer in final location.

**WARNING-NEVER LEAVE THE BACK OPENING WITHOUT THE PLATE (Kit WE1M454).**

REGISTER YOUR NEW APPLIANCE TO RECEIVE ANY IMPORTANT PRODUCT NOTIFICATIONS.

Please go to [www.GEAppliances.com](http://www.GEAppliances.com) or mail in your product registration card.

For questions on installation, call: 800.626.2000 (US) or 800-561-3344 (Canada).





# Instrucciones de instalación

# Secadora Eléctrica 10

¿Preguntas sobre la instalación? Llame al: 1-800-GEARES (EE.UU.)  
o visite nuestro sitio Web en: [www.GEAppliances.com](http://www.GEAppliances.com) (EE.UU.)

## ANTES DE COMENZAR

Lea estas instrucciones por completo y con detenimiento.

- **IMPORTANTE** - Guarde estas instrucciones para el uso de inspectores locales.
- **IMPORTANTE** - Siga todos los códigos y ordenanzas vigentes.
- **Nota al instalador** - Asegúrese de dejar estas instrucciones con el consumidor.
- **Nota al consumidor** - Mantenga estas instrucciones con el Manual del propietario para referencia futura.
- Antes de que la secadora antigua sea retirada del servicio o eliminada, quítele la puerta.
- La información sobre reparaciones y el diagrama del cableado se encuentran en la consola de control.
- No permita que niños se suban o se metan dentro del aparato. Se requiere una supervisión estricta cuando el aparato es utilizado cerca de niños.
- Instale la secadora en lugares donde la temperatura sea mayor a 50°F para un funcionamiento satisfactorio del sistema de control de la secadora.
- La garantía no cubre las fallas del producto debido a una instalación incorrecta.

## ⚠ ADVERTENCIA RIESGO DE INCENDIO

- Para reducir el riesgo de una lesión grave o de muerte, cumpla con todas las instrucciones de instalación.
- La instalación de la secadora debe efectuarla un instalador calificado.
- Instale la secadora de ropa de acuerdo con estas instrucciones y en cumplimiento de los códigos locales.
- Esta secadora debe tener una salida al exterior.
- Utilice sólo un conducto rígido de metal de un diámetro de 4" dentro del gabinete de la secadora y use sólo un conducto de transición aprobado por UL entre la secadora y el conducto doméstico.
- NO instale una secadora de ropa con conductos de plástico flexibles. Si se instala un conducto flexible de metal (semi rígido o de tipo papel de aluminio), debe estar aprobado por UL e instalarse de acuerdo con las instrucciones de "Cómo conectar la secadora a la ventilación doméstica" de las páginas 4-5 de este manual. Los materiales de ventilación flexibles a menudo se desploman, se aplastan y atrapan pelusas. Estas condiciones obstruyen la corriente de aire de la secadora e incrementan el riesgo de incendio.
- No instale o almacene este aparato en un lugar donde se vea expuesto al agua y/o a las inclemencias del tiempo.
- Guarde estas instrucciones. (Instaladores: Asegúrese de dejar estas instrucciones al consumidor).

**NOTA:** La instalación y reparación de esta secadora requieren capacidades mecánicas y eléctricas básicas. Es su responsabilidad contactar a un instalador calificado para realizar las conexiones eléctricas.

## HERRAMIENTAS NECESARIAS



## MATERIALES NECESARIOS



- Paso 1 Prepare el área y la salida para la instalación de la nueva secadora (ver sección 1).
- Paso 2 Verifique y asegúrese de que la salida al exterior existente esté limpia (ver sección 1) y que cumpla con las especificaciones de instalación incluidas (ver sección 3).
- Paso 3 Quite las almohadillas de espuma para envío (ver sección 1).
- Paso 4 Desplace la secadora a la ubicación deseada.
- Paso 5 Conecte el suministro de energía (ver sección 2).
- Paso 6 Conecte la salida al exterior (ver sección 4).
- Paso 7 Nivele su secadora (ver sección 5).
- Paso 8 Verifique el funcionamiento del suministro de energía y

- de la ventilación.
  - Paso 9 Coloque el manual del propietario y las instrucciones de instalación en un lugar de fácil acceso para el propietario.
- 
- Para instalación en nicho o closet, ver sección 6.  
Para instalación en baños o dormitorios, ver sección 7.  
Para casas móviles o prefabricadas, ver sección 8.  
Para instalación en garaje (si permitido por los códigos locales), ver sección 9.  
Para salidas laterales o por la parte inferior, ver sección 10.

# Instrucciones de instalación

## Espacio mínimo diferente a instalación en nichos o closets

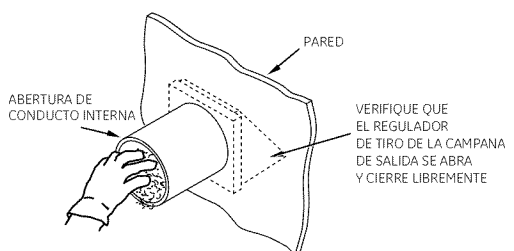
Los espacios libres mínimos respecto de superficies combustibles y de aberturas de aire son: Espacio de 0 pulg. a ambos lados, 1 pulg. en el frente y 3 pulg. en la parte trasera. **Debe** tenerse en cuenta un espacio libre adecuado para un funcionamiento y reparación correctos

### 1 PREPARACIÓN PARA LA INSTALACIÓN DE UNA SECADORA NUEVA

**CONSEJO:** Instale su secadora antes de instalar la lavadora. Esto permitirá un mejor acceso cuando instale la salida de la secadora.

#### CÓMO QUITAR PELUSA DE LA ABERTURA DE LA SALIDA DE LA PARED

- Quite y descarte el conducto de transición existente de plástico o de papel de aluminio y coloque un conducto de transición aprobado por UL.



### 2 INFORMACIÓN SOBRE CONEXIONES ELÉCTRICAS

**⚠️ ADVERTENCIA - PARA REDUCIR EL RIESGO DE INCENDIO, DESCARGA ELÉCTRICA Y LESIONES PERSONALES:**

- **NO UTILICE UN CABLE DE EXTENSIÓN O UN ENCHUFE ADAPTADOR CON ESTE APARATO.**

La secadora debe contar con una conexión eléctrica a tierra en cumplimiento con los códigos y ordenanzas locales, o si éstos no existieran, de acuerdo con el CÓDIGO ELÉCTRICO NACIONAL, ANSI/NFPA N°. 70.

#### REQUISITOS ELÉCTRICOS

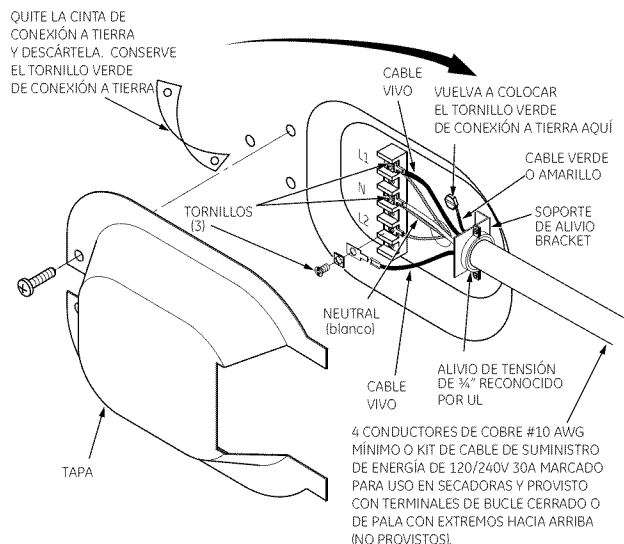
Esta secadora debe conectarse a un circuito derivado individual, con la protección de los fusibles de tiempo retardado o interruptores de circuito requeridos. Se requiere un circuito de tres o cuatro cables, fase única, 120/240V ó 120/208V, 60Hz y 30 amperios.

#### INSTRUCCIONES DE CONEXIÓN A TIERRA

Esta secadora debe conectarse a un sistema de cableado permanente con conexión a tierra o debe utilizarse un conductor de conexión a tierra del equipamiento con los conductores de circuito y conectarse a la terminal de conexión a tierra del aparato.

### CÓMO CONECTAR LA SECADORA USANDO UNA CONEXIÓN DE 4 CABLES (DEBE UTILIZARSE EN INSTALACIONES DE CASAS MÓVILES)

**NOTA:** Desde el 1 de enero de 1996, el Código Eléctrico Nacional exige que las nuevas construcciones utilicen una conexión de 4 cables a una secadora eléctrica.



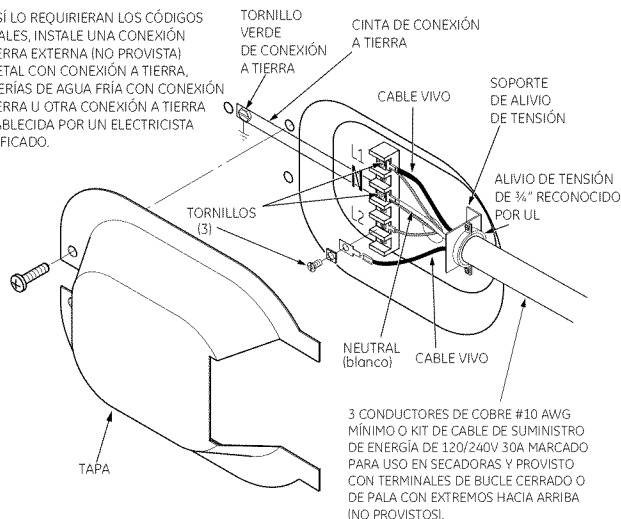
1. Desactive el interruptor de circuitos (30 amperios) o quite el fusible del circuito de la secadora de la caja eléctrica.
2. Verifique que el cable de la secadora esté desenchufado del tomacorriente.
3. Quite la tapa del cable de energía ubicada en la parte trasera inferior.
4. Quite y descarte la cinta de conexión a tierra. Conserve el tornillo verde de conexión a tierra para el paso 7.
5. Instale un alivio de tensión de 3/4 pulgadas reconocido por UL en el orificio de entrada del cable de energía. Pase el cable de energía a través del alivio de tensión.
6. Conecte el cable de energía de la siguiente manera:
  - A. Conecte los dos cables vivos a los tornillos externos del bloque terminal (marcado L1 y L2).
  - B. Conecte el cable neutral (blanco) al centro del bloque terminal (marcado N).
7. Conecte el cable a tierra del cable de energía con el tornillo verde de conexión a tierra (orificio sobre el soporte de alivio de tensión). Ajuste por firmemente todos los tornillos (3) del bloque terminal.
8. Ajuste bien el cable de energía al alivio de tensión.
9. Vuelva a instalar la tapa.

**⚠️ ADVERTENCIA: NUNCA OLVIDE DE VOLVER A COLOCAR LA TAPA DEL BLOQUE TERMINAL.**

# Instrucciones de instalación

## CÓMO CONECTAR LA SECADORA UTILIZANDO UNA CONEXIÓN DE 3 CABLES

SI ASÍ LO REQUIERIERAN LOS CÓDIGOS LOCALES, INSTALE UNA CONEXIÓN A TIERRA EXTERNA (NO PROVISTA) A METAL CON CONEXIÓN A TIERRA, TUBERÍAS DE AGUA FRÍA CON CONEXIÓN A TIERRA U OTRA CONEXIÓN A TIERRA ESTABLECIDA POR UN ELECTRICISTA CALIFICADO.



3 CONDUCTORES DE COBRE #10 AWG MÍNIMO O KIT DE CABLE DE SUMINISTRO DE ENERGÍA DE 120/240V 30A MARCADO PARA USO EN SECADORAS Y PROVISTO CON TERMINALES DE BUCLE CERRADO O DE PALA CON EXTREMOS HACIA ARRIBA (NO PROVISTOS).

### Conexión de 3 cables

- NO usar en Canadá.
- NO usar en instalaciones en casas móviles.
- NO usar en casas nuevas.
- NO usar en vehículos recreativos.
- NO usar en áreas donde los códigos locales prohíben la conexión eléctrica a tierra por el medio del cable neutral.

1. Desactive el interruptor de circuitos (30 amperios) o quite el fusible del circuito de la secadora de la caja eléctrica.
2. Verifique que el cable de la secadora esté desenchufado del tomacorriente.
3. Quite la tapa del cable de energía ubicada en la parte trasera inferior.
4. Instale un alivio de tensión de 3/4 pulgadas reconocido por UL en el orificio de entrada del cable de energía. Pase el cable de energía a través del alivio de tensión.
5. Conecte el cable de energía de la siguiente manera:
  - A. Conecte los dos cables vivos a los tornillos externos del bloque terminal (marcado L1 y L2).
  - B. Conecte el cable neutral (blanco) al centro del bloque terminal (marcado N).
6. Asegúrese de que la cinta de conexión a tierra esté conectada a la terminal neutral (central) del bloque y al tornillo verde de conexión a tierra de la parte trasera del gabinete. Ajuste por firmemente todos los tornillos (3) del bloque terminal.
7. Ajuste bien el cable de energía al alivio de tensión.
8. Vuelva a instalar la tapa.

**⚠️ ADVERTENCIA: NUNCA OLVIDE DE VOLVER A COLOCAR LA TAPA DEL BLOQUE TERMINAL.**

## 3 INFORMACIÓN DE SALIDA

**⚠️ ADVERTENCIA – EN CANADÁ Y LOS ESTADOS UNIDOS, EL DIÁMETRO DE CONDUCTO DE SALIDA REQUERIDO ES DE 4 PULG. (102 mm). NO UTILICE UN CONDUCTO DE UNA LONGITUD MAYOR A LA ESPECIFICADA EN LA TABLA DE LONGITUD DE SALIDA.**

Al utilizar una salida de mayor longitud a la especificada se:

- Incrementarán los tiempos de secado y el costo de energía.
- Reducirá la vida útil de la secadora.
- Acumulará pelusa, lo que podría generar un riesgo potencial de incendio.

La correcta instalación de salida es **SU RESPONSABILIDAD**. Los problemas generados por una instalación incorrecta no se encuentran cubiertos por la garantía.

Quite y descarte el conducto de transición existente de plástico o de papel de aluminio y coloque un conducto de transición aprobado por UL.

La longitud **MÁXIMA PERMITIDA** del conducto y la cantidad de codos del sistema de salida dependen del tipo de conducto, la cantidad de curvas, la clase de campana de salida (cubierta de pared) y todas las condiciones indicadas a continuación. La longitud máxima del conducto para conductos rígidos de metal se indica en la siguiente tabla.

### LONGITUD DE SALIDA

Cant. de codos de 90°	LONGITUD MÁXIMA RECOMENDADA	
	Tipos de campana de salida	
	Recomendado	Utilizar sólo en instalaciones de trayecto corto
	Metal Rígido	Metal Rígido
0	90 Pies	60 Pies
1	60 Pies	45 Pies
2	45 Pies	35 Pies
3	35 Pies	25 Pies

### LISTA DE CONTROL DEL SISTEMA DE SALIDA CAMPANA O CUBIERTA DE PARED

- Instale la salida de modo de evitar contracorrientes o el ingreso de pájaros u otros insectos o animales.
- La boca de salida debe presentar una resistencia mínima al flujo de salida y debe requerir poco o ningún mantenimiento para evitar las obstrucciones.
- Nunca instale un filtro dentro o sobre el conducto de salida. Esto podría provocar una acumulación de pelusa.
- Las cubiertas de pared deben instalarse por lo menos a 12" sobre el nivel del suelo o cualquier otra obstrucción con la abertura apuntando hacia abajo.

### SEPARACIÓN DE CURVAS

Para un mejor desempeño, separe todas las curvas con por lo menos 4 pies de conducto recto, incluyendo la distancia entre la última curva y la campana de salida.

### GIROS QUE NO SON DE 90°

- Un giro de 45° o menos puede ignorarse.
- Dos giros de 45° deben tratarse como un giro de 90°.
- Todos los giros de más de 45° deben tratarse como un giro de 90°.

# Instrucciones de instalación

## SELLADO DE JUNTAS

- Todas las juntas deben estar bien selladas para evitar pérdidas. El extremo macho de cada sección de conducto debe apuntar en dirección opuesta a la secadora.
- El conducto no deberá instalarse con tornillos u otros medios de sujeción que se extiendan dentro del conducto y enganchen pelusas.
- Las juntas de los conductos deben ser herméticas al aire y a la humedad mediante la superposición de juntas con cinta aislante.
- Los tramos horizontales deben tener una inclinación hacia el exterior de 1/4" por pie.

## AISLACIÓN

Los conductos instalados a través de una área sin calefacción o ubicados cerca de un acondicionador de aire deben aislarse para reducir la condensación y la acumulación de pelusas.

## 4 CONEXIÓN A LA SALIDA

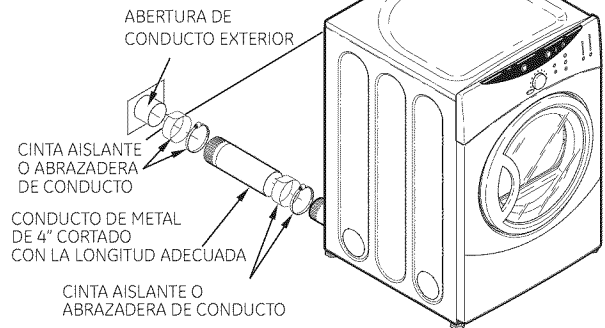
### ⚠ ADVERTENCIA - PARA REDUCIR EL RIESGO DE INCENDIO O DE LESIONES PERSONALES:

- Esta secadora de ropa debe tener una salida al exterior.
- Utilice sólo un conducto de metal rígido de 4" para el conducto de salida doméstico.
- Use sólo un conducto de metal rígido de 4" o de metal flexible (semi rígido o de tipo papel de aluminio) aprobado por UL para conectar la secadora al conducto de salida doméstico. Debe instalarse de acuerdo con las instrucciones incluidas en "Cómo conectar la secadora a la ventilación doméstica" de las páginas 4-5 de este manual.
- No instale la boca de salida dentro de una chimenea, pared, cielorraso, ventilación de gas, espacio entre pisos, ático, bajo un piso con cerramiento o en cualquier otro espacio oculto de un edificio. La acumulación de pelusas podría provocar un riesgo potencial de incendio.
- Nunca instale la boca de salida dentro de un conducto común con el sistema de salida de la cocina. La combinación de grasa y pelusas podría provocar un riesgo potencial de incendio.
- No utilice un conducto de una longitud mayor a la especificada en la tabla de longitud de salida. Los conductos más largos acumulan pelusa, lo que genera un riesgo potencial de incendio.
- Nunca instale un filtro dentro o sobre el conducto de salida. Esto provocará la acumulación de pelusas, lo que genera un riesgo potencial de incendio.
- No arme la red de conductos con sujeciones que se extiendan dentro del conducto. Estas sujeciones pueden acumular pelusa, lo que genera un riesgo potencial de incendio.
- No obstruya el aire que entra y sale.
- Incluya un acceso para inspección y limpieza del sistema de salida, especialmente en las curvas y juntas. El sistema de salida debe inspeccionarse y limpiarse por lo menos una vez al año.

Existen opciones múltiples de instalación. Seleccione el método más apropiado para su instalación.

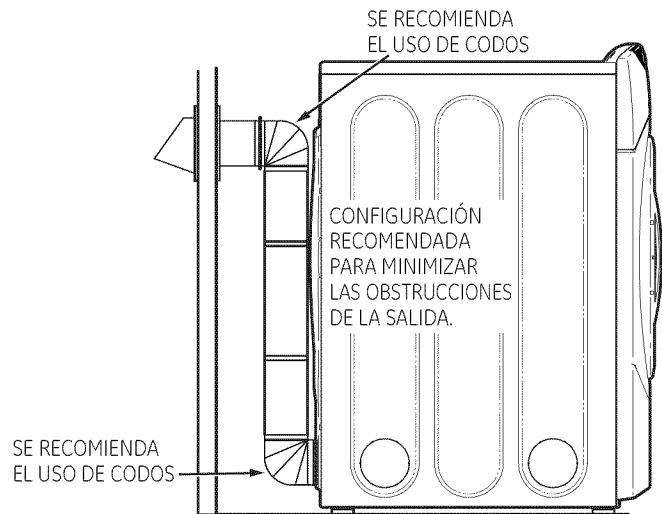
## SALIDA TRASERA ESTÁNDAR (Ventilación a nivel del suelo)

Para una instalación en línea recta, conecte la salida de la secadora a la campana de salida al exterior con cinta aislante o una abrazadera.



NOTA: RECOMENDAMOS ENFÁTICAMENTE EL USO DE CONDUCTOS DE SALIDA DE METAL SÓLIDO. SIN EMBARGO, SI SE USAN CONDUCTOS FLEXIBLES, ÉSTOS DEBEN SER DE METAL APROBADOS POR UL, NO DE PLÁSTICO.

## SALIDA TRASERA ESTÁNDAR (Ventilación sobre el nivel del suelo)



### NOTA: LOS CODOS EVITAN QUE LOS CONDUCTOS SE DOBLEN O CAIGAN. CÓMO CONECTAR LA SECADORA A LA VENTILACIÓN DOMÉSTICA

#### CONDUCTO DE TRANSICIÓN DE METAL RÍGIDO

- Para un mejor desempeño de secado, se recomienda un conducto de transición de metal rígido.
- Los conductos de transición de metal rígidos reducen el riesgo de aplastamientos y torceduras.

#### CONDUCTO DE TRANSICIÓN DE METAL FLEXIBLE (SEMI-RÍGIDO) APROBADO POR UL

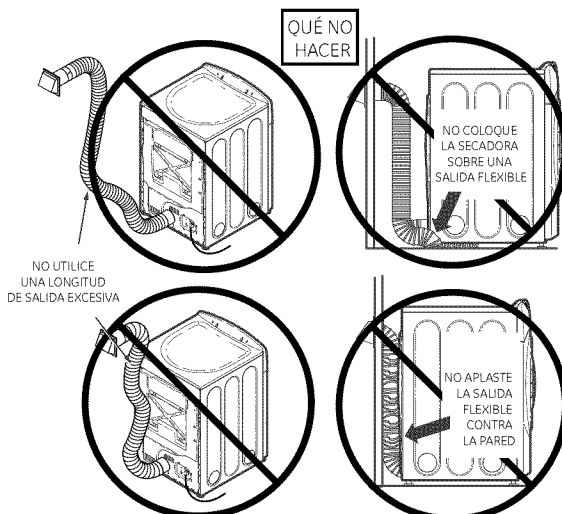
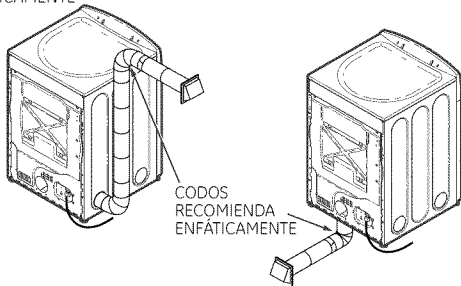
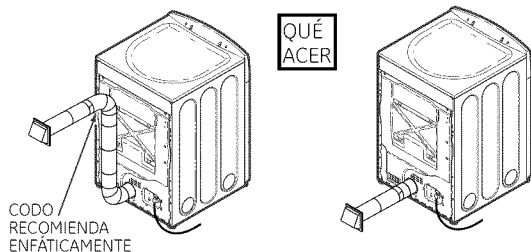
- Si no puede utilizarse un conducto de metal rígido, entonces puede usarse un conducto de metal flexible (semi-rígido) aprobado por UL (Kit WX08X10077).
- Nunca instale conductos de metal flexibles en paredes, cielorrasos, pisos u otros espacios cerrados.
- La longitud total del conducto de metal flexible no deberá superar los 8 pies (2.4 m).

# Instrucciones de instalación

- Para muchas aplicaciones, se recomienda enfáticamente la instalación de codos en la secadora y en la pared (ver ilustraciones de abajo). Los codos permiten que la secadora se ubique cerca de la pared sin torcer o aplastar el conducto de transición, lo que potencia al máximo el desempeño de secado.
- No coloque el conducto sobre objetos afilados.

## CONDUCTO DE TRANSICIÓN DE METAL FLEXIBLE (SEMI-RÍGIDO) APROBADO POR UL

- En instalaciones especiales, puede ser necesario conectar la secadora a la ventilación doméstica utilizando un conducto de metal flexible (tipo papel de aluminio). Puede utilizarse un conducto de metal flexible (tipo papel de aluminio) aprobado por UL SÓLO en instalaciones en las que no pueden usarse conductos de metal rígidos o flexibles (semi-rígidos) Y en las que puede mantenerse un diámetro de 4" a lo largo de todo el conducto de transición.
- En Canadá y los Estados Unidos, solamente deberán utilizarse los conductos de metal flexibles (tipo papel de aluminio) que cumplan con el "Resumen para conductos de transición para secadoras de ropa, Tema 2158A".
- Nunca instale conductos de metal flexibles en paredes, cielorrasos, pisos u otros espacios cerrados.
- La longitud total del conducto de metal flexible no deberá superar los 8 pies (2.4 m).
- No coloque el conducto sobre objetos afilados.

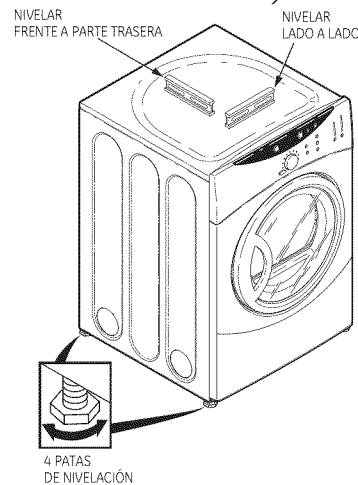


## Para un mejor desempeño de secado:

1. Deslice un extremo del conducto sobre la tubería de salida de la secadora de ropa.
2. Fije el conducto con una abrazadera.
3. Con la secadora en su posición permanente, extienda el conducto en su longitud total. Deje que se superpongan 2" de conducto con la tubería de salida. Corte y quite el tramo de conducto que sobre. Mantenga el conducto lo más recto posible para lograr una corriente de aire máxima.
4. Fije el conducto a la tubería de salida con la otra abrazadera.

## 5 CÓMO NIVELAR Y ESTABILIZAR SU SECADORA

Coloque la secadora en posición vertical cerca de la ubicación definitiva y ajuste las cuatro patas de nivelación, en los extremos, para garantizar que la secadora se encuentre nivelada de lado a lado y del frente a la parte trasera.



## 6 INSTALACIÓN EN NICHOS O EN CLOSET

- Su secadora puede instalarse en un nicho o closet, como se indica en la etiqueta de la parte trasera del aparato.
- Esta secadora DEBE tener una ventilación al exterior. Ver la INFORMACIÓN SOBRE SALIDA secciones 3 y 4.
- El espacio libre mínimo entre el gabinete de la secadora y las paredes adyacentes u otras superficies es de:
  - 0 pulg. sobre ambos lados
  - 3 pulg. en el frente
  - 4 pulg. en la parte trasera
- El espacio vertical mínimo desde el piso a los gabinetes superiores, cielorraso, etc., es de 52 pulg.
- Las puertas del closet deben contar con rejillas u otro tipo de ventilación y deben tener por lo menos 60 pulg. cuadradas de espacio abierto igualmente distribuido. Si el closet incluye una lavadora y una secadora, las puertas deben contener un mínimo de 120 pulg. cuadradas de espacio abierto distribuido uniformemente.

**NOTA: CUANDO EL CONDUCTO DE SALIDA ESTÁ UBICADO EN LA PARTE TRASERA DE LA SECADORA, EL ESPACIO LIBRE MÍNIMO DESDE LA PARED DEBE SER 5.5 PULGADAS.**

# Instrucciones de instalación

## 7] INSTALACIÓN EN BAÑOS O DORMITORIOS

- Esta secadora DEBE tener una ventilación al exterior. Ver la INFORMACIÓN SOBRE SALIDA secciones 3 y 4.
- La instalación debe cumplir con códigos locales o, si no existieran, con el CÓDIGO ELÉCTRICO NACIONAL, ANSI/NFPA N° 70.

## 8] INSTALACIÓN EN CASAS MÓVILES O PREFABRICADAS

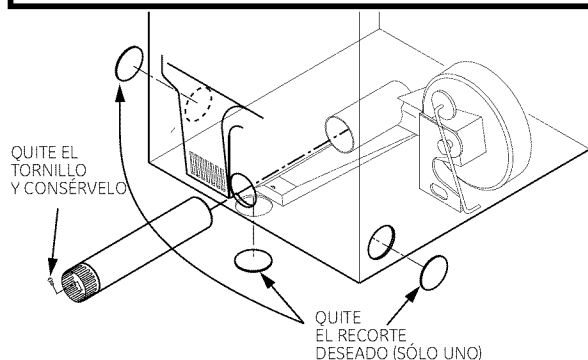
- La instalación debe cumplir con la NORMA SOBRE CONSTRUCCIÓN Y SEGURIDAD DE CASAS PREFABRICADAS, TÍTULO 24, PARTE 32-80 o, cuando dicha norma no sea aplicable, con la NORMA NACIONAL ESTADOUNIDENSE PARA CASAS MÓVILES, ANSI/NFPA N° 501B.
- La secadora DEBE tener ventilación al exterior con la terminación bien sujeta a la estructura de la casa móvil. (Ver la INFORMACIÓN SOBRE SALIDA secciones 3 y 4).
- La ventilación NO DEBE terminar debajo de una casa móvil o prefabricada.
- El material del conducto de ventilación DEBE SER METAL.
- No utilice tornillos para placas de metal u otros dispositivos de sujeción que se extiendan al interior de la ventilación de salida.
- Ver la sección 2 sobre información sobre conexiones eléctricas.

## 9] INSTALACIÓN EN GARAJE (SI PERMITIDO POR LOS CODIGOS LOCALES)

- Secadoras instaladas en garages deben ser elevadas 18 pulgadas (46cm) del nivel del piso.

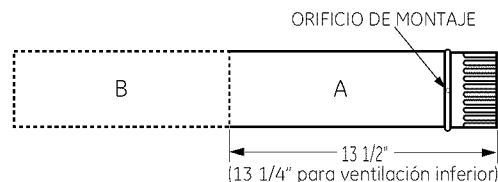
## 10] SALIDA DE LA SECADORA HACIA LA DERECHA, IZQUIERDA O PARTE INFERIOR DEL GABINETE

**⚠ ADVERTENCIA - ANTES DE EFECTUAR ESTA INSTALACIÓN DE SALIDA, ASEGÚRESE DE DESCONECTAR LA SECADORA DEL SUMINISTRO ELÉCTRICO. PROTEJA SUS MANOS Y BRAZOS DE LOS LADOS AFILADOS CUANDO TRABAJE DENTRO DEL GABINETE. ASEGÚRESE DE USAR GUANTES**

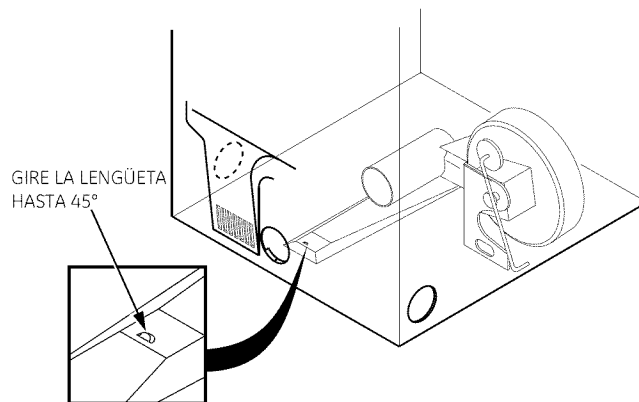


Despegue y quite el recorte inferior, derecho o izquierdo, según corresponda. Quite el tornillo ubicado dentro del conducto de salida de la secadora y consérvelo. Saque el conducto de la secadora.

## UBICACIÓN DE LA LENGÜETA

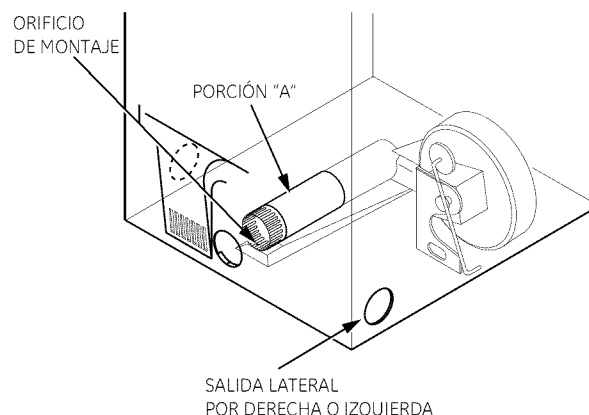


Corte el conducto como puede verse y conserve la porción A.



A través de la abertura trasera, ubique la lengüeta en el medio de la base del aparato. Levante la lengüeta hasta alrededor de 45°, utilizando un destornillador de lados planos.

## CÓMO AGREGAR CONDUCTOS NUEVOS



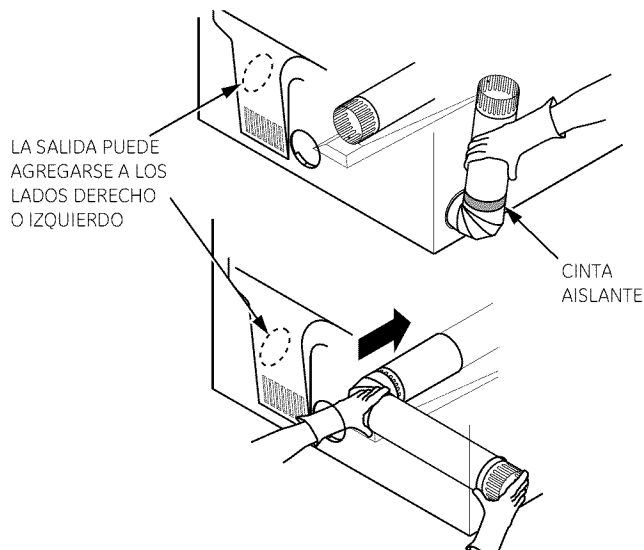
Vuelva a conectar la porción cortada (A) del conducto a la carcasa del ventilador. Asegúrese de que el conducto más corto se encuentre alineado con la lengüeta de la base. Utilice el tornillo conservado con anterioridad para sujetar el conducto en su lugar a través de la lengüeta de la base del artefacto.

# Instrucciones de instalación

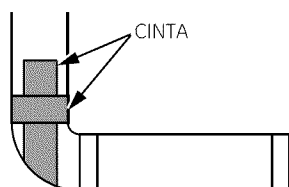
## CÓMO AGREGAR CODOS Y CONDUCTOS DE SALIDA HACIA LA IZQUIERDA O DERECHA DEL GABINETE

- Arme previamente un codo de 4" con un conducto de 4". Coloque cinta aislante alrededor de la junta.
- Introduzca el montaje del conducto, el codo primero, a través de la abertura lateral y conecte el codo al conducto interno de la secadora.

**⚠ PRECAUCIÓN:** Asegúrese de no tirar o dañar los cables eléctricos ubicados dentro de la secadora cuando introduzca el conducto.



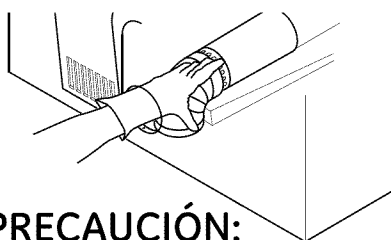
- Aplique cinta aislante como puede verse en la junta entre el conducto interno de la secadora y el codo.



**⚠ PRECAUCIÓN:** Las juntas del conducto interno deben sujetarse con cinta; caso contrario, pueden separarse y provocar un riesgo de seguridad.

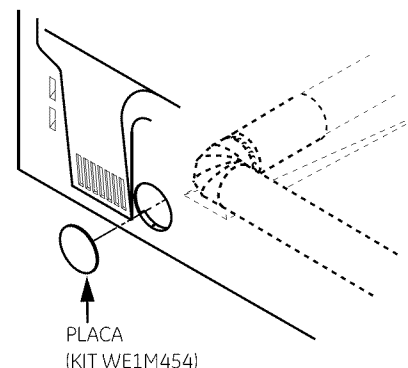
## CÓMO AGREGAR UN CODO DE SALIDA A TRAVÉS DE LA PARTE INFERIOR DEL GABINETE

- Introduzca el codo a través de la abertura trasera y conéctelo al conducto interno de la secadora.
- Aplique cinta aislante en la junta entre el conducto interno de la secadora y el codo, como puede verse abajo.



**⚠ PRECAUCIÓN:** Las juntas del conducto interno deben sujetarse con cinta; caso contrario, pueden separarse y provocar un riesgo de seguridad.

## CÓMO AGREGAR LA PLACA DE CUBIERTA A LA PARTE TRASERA DEL GABINETE (SALIDAS POR LOS LADOS Y LA PARTE INFERIOR)



Conecte los codos y conductos de metal estándar para completar el sistema de salida. Cubra la abertura trasera con la placa (Kit WE1M454), disponible en su proveedor de servicios local. Coloque la secadora en su ubicación final.

**⚠ ADVERTENCIA - NUNCA DEJE LA ABERTURA TRASERA SIN LA PLACA EN SU LUGAR (Kit WE1M454).**

REGISTRE SU NUEVO APARATO PARA RECIBIR LAS NOTIFICACIONES DE PRODUCTOS IMPORTANTES.

Por favor vaya a [www.GEAppliances.com](http://www.GEAppliances.com) o enviar por correo su tarjeta de inscripción.

Para preguntas sobre la instalación, llame al: 800.626.2000 (EE.UU.) o 800-561-3344 (Canadá).

