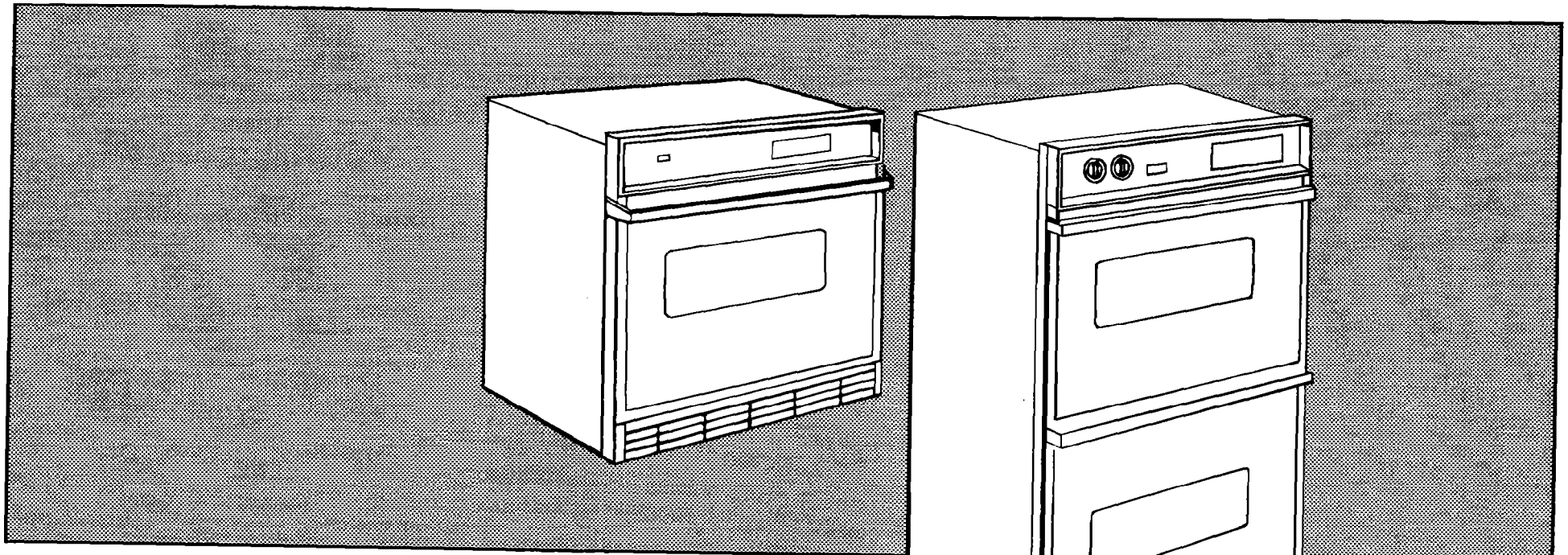


Installation Instructions



Part No. 3183635 Rev. F

IMPORTANT:
Read and save
these instructions.

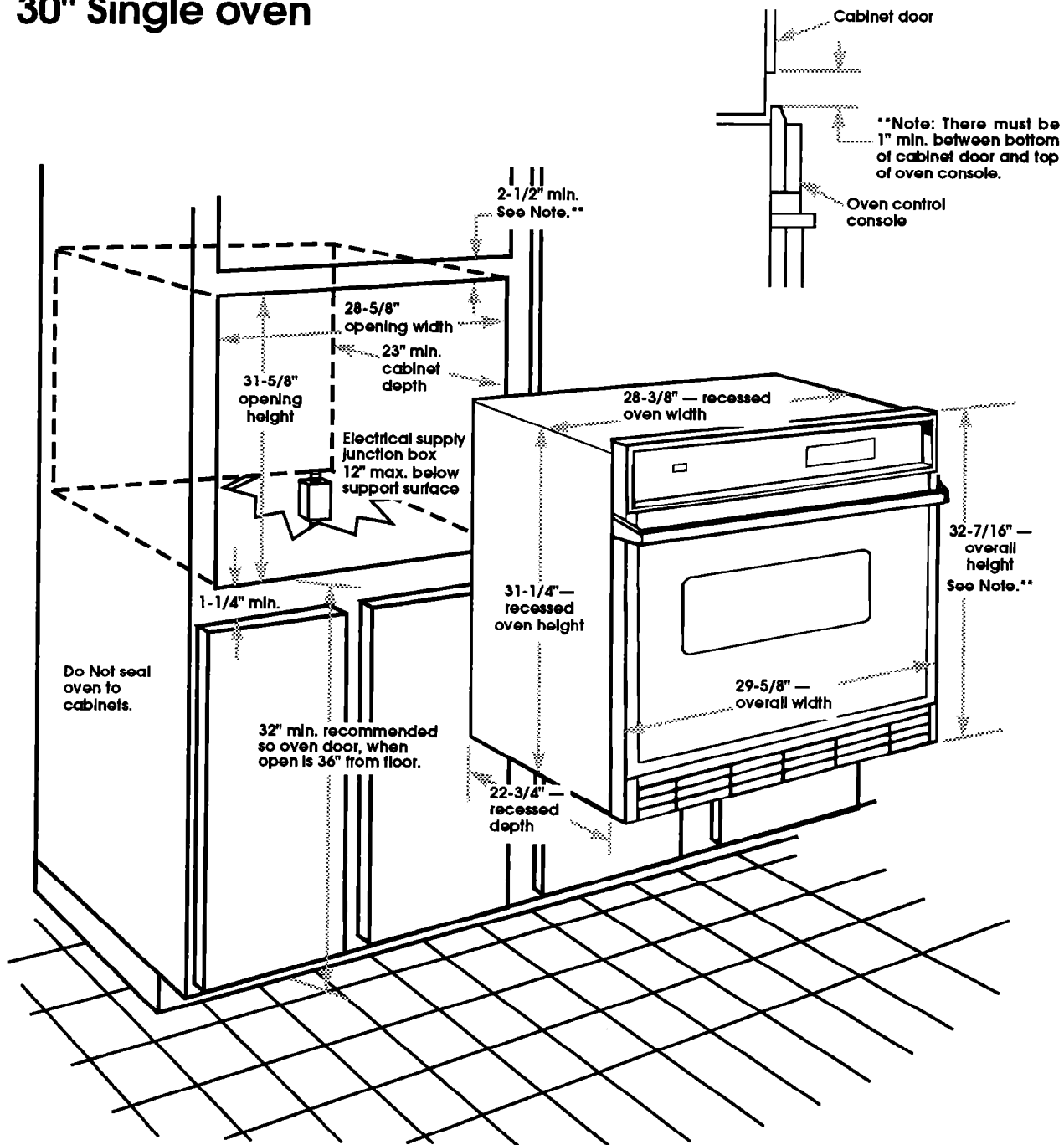
IMPORTANT:
Installer: Leave Installation Instructions
with the homeowner.
Homeowner: Keep Installation Instructions
for future reference.
Save Installation Instructions for local
electrical inspector's use.

**30" Electric
Built-in Single and
Double Ovens**

6/94



30" Single oven



Before you start...

Read the electrical and carpentry instructions.

Proper installation is your responsibility. A qualified technician should install this oven. Make sure you have everything necessary for correct installation. It is the responsibility of the installer to comply with the installation clearances specified on the serial/rating plate. The serial/rating plate can be found behind the door (double oven models — upper oven) on the oven frame.

Check location where the built-in oven will be installed. The location should be away from strong draft areas, such as windows, doors, and strong heating vents. The built-in oven should be located for convenient use in the kitchen.

Cabinet opening dimensions that are shown must be used. Given dimensions provide minimum clearance. Dimensions given are for a built-in oven sitting on a contact surface 2-3/4 inch below the open oven door height. The contact surface must be solid and level and flush with the bottom of the cabinet opening.

The recessed installation area must provide complete enclosure around the recessed portion of the oven.

ALL OPENINGS IN THE WALL OR FLOOR WHERE THE BUILT-IN OVEN IS TO BE INSTALLED MUST BE SEALED.

Electrical ground is required. See "Electrical requirements."

Do Not install single oven in a base cabinet with a countertop above it.

NOTE:

The oven support surface must be flush with the bottom of the cabinet opening.

Important: Observe all governing codes ordinances.

WARNING

Electrical Shock Hazard

It is the customer's responsibility:

- To contact a qualified electrical installer.
- To assure that the electrical installation is adequate and in conformance with **National Electrical Code, ANSI/NFPA 70 — latest edition***, and all local codes and ordinances.

Failure to do so could result in fire, electrical shock or other personal injury.

Personal Injury Hazard

Securely fasten oven to cabinet using the screws provided (4 screws for a single oven or 8 screws for a double oven).

Failure to do so could cause the oven to move or tip during use and result in personal injury.

CAUTION

Cabinet Damage

Do Not block the oven vent.

Blocking the oven vent may cause cabinet damage and poor baking performance.

Mobile home installation

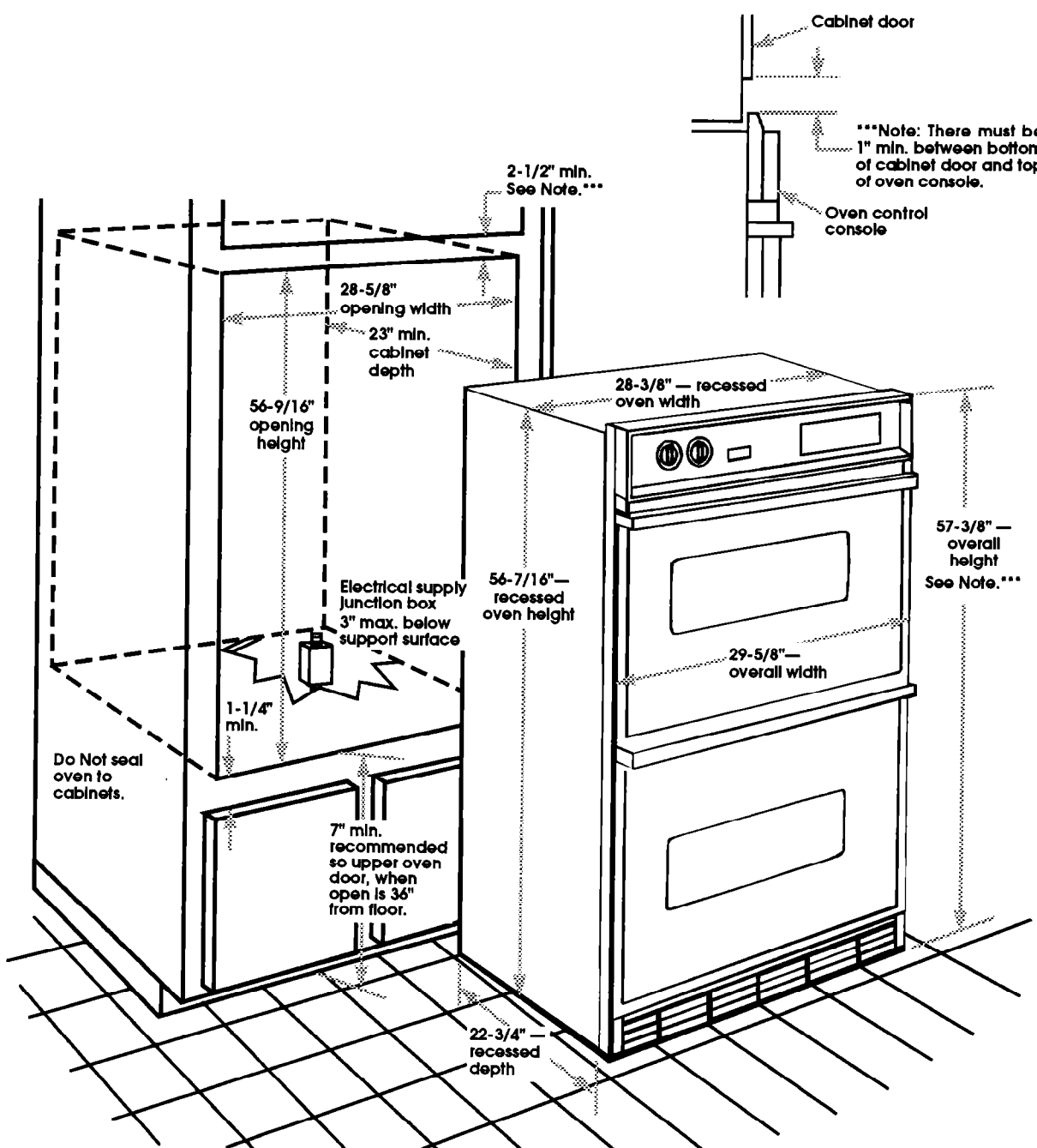
The installation of this oven must conform to the Manufactured Home Construction and Safety Standards, Title 24 CFR, Part 3280 (formerly the Federal Standard for Mobile Home Construction and Safety, Title 24, HUD Part 280) or when such standard is not applicable, the Standard for Manufactured Home Installation 1982 (Manufactured Home Sites, Communities and Setups), ANSI Z225.1-1984, or latest edition, or with local codes.

A four-wire, power supply cord must be used in a mobile home installation. The appliance wiring will need to be revised. See "Electrical requirements," Figure 3, Panel B.

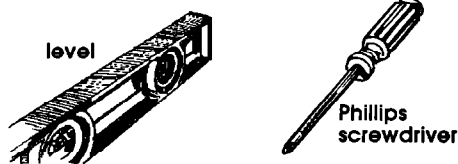
Copies of the standards listed may be obtained from:

* **National Fire Protection Association**
Batterymarch Park
Quincy, Massachusetts 02269

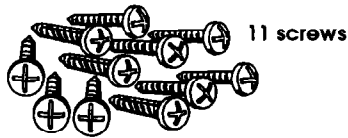
30" Double oven



Tools needed for installation:



Parts supplied for installation:



Electrical requirements

WARNING

Electrical Shock Hazard

- Electrical ground is required on this appliance.
 - Do Not ground to a gas pipe.
 - Do Not have a fuse in the neutral or grounding circuit. A fuse in the neutral or grounding circuit could result in an electrical shock.
 - Check with a qualified electrician if you are in doubt as to whether the appliance is properly grounded.
- Failure to follow these instructions could result in serious injury or death.

If codes permit and a separate grounding wire is used, it is recommended that a qualified electrician determine that the grounding path is adequate.

IMPORTANT:
Save Installation Instructions for the local electrical inspector's use.

A. This appliance **must** be connected to the proper electrical voltage and frequency as specified on the serial/rating plate located behind the oven door (double oven models — upper oven) on the front frame. A fuse is required in both sides of the line. A time-delay fuse is recommended. Use the voltage and kilowatt rating given on the serial/rating plate to select the proper fuse size from the chart.

Fuse Requirements:

Volts	Kw	Fuse Size (amps)	Wire Gauge*		
			0 to 50 ft.	51 to 100 ft.	101 to 150 ft.
120/208	6.2	30	8	6	6
	6.2 to 8.3	40	8	6	4
	8.3 to 10.4	50	6	4	2
120/240	7.2	30	8	6	6
	7.2 to 9.6	40	8	6	4
	9.6 to 12.0	50	6	4	2

* Check your local codes and ordinances.

B. OVEN MUST BE CONNECTED WITH SOLID COPPER WIRE ONLY.

C. Wire sizes and connections must conform to the requirements of the National Electrical Code, ANSI/NFPA 70 — latest edition**, and all local codes and ordinances. Wire sizes and connections must conform with the rating of the appliance.

Copies of the standards listed may be obtained from:

**National Fire Protection Association
Batterymarch Park
Quincy, Massachusetts 02269

D. This appliance should be connected directly to the fused disconnect (or circuit breaker box) through flexible, armored or non-metallic sheathed, copper cable (with grounding wire). The flexible armored cable from the appliance should be connected directly to the junction box.

E. Locate the junction box to allow as much slack in the cable as possible between the junction box and the appliance so that the oven can be moved if servicing is ever necessary. Do Not cut the conduit.

F. A U.L.-listed conduit connector **must** be provided at the junction box.

G. A wiring diagram is included in the Tech Sheet. The Tech Sheet is located behind the air grille.

Electrical connection

WARNING

Electrical Shock Hazard

- Electrical ground is required on this appliance.
- Do Not connect to the electrical supply until appliance is permanently grounded.
- Disconnect power to the junction box before making the electrical connection.
- This appliance must be connected to a grounded, metallic, permanent wiring system, or a grounding connector should be connected to the grounding terminal or wire lead on the appliance.

Failure to do so could result in a fire, personal injury or electrical shock.

This appliance is manufactured with a white (neutral) power supply wire and a cabinet-connected green grounding wire twisted together.

Connect the appliance cable to the junction box through the U.L.-listed conduit connector. Complete electrical connection according to local codes and ordinances.

A. Where local codes permit... connecting the cabinet-grounding conductor to the neutral (white) junction box wire:

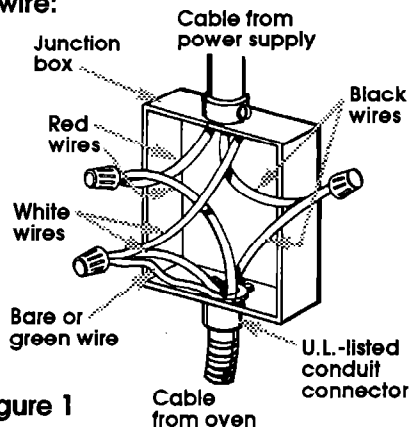


Figure 1

Grounded Neutral

1. Disconnect the power supply.
2. Remove the terminal block cover.
3. Connect together 3 wires: green and white appliance cable wires and the neutral (white) wire in junction box.
4. Connect the two black wires together; then the two red wires together. See Figure 1.

B. Where local codes Do Not permit... connecting the cabinet-grounding conductor to the neutral (white) junction box wire:

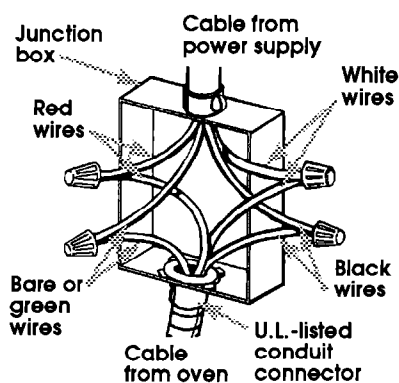


Figure 2

Ungrounded Neutral

1. Disconnect power supply.
2. Separate the green and white appliance cable wires.

3. Connect the white appliance cable wire to the neutral (white) wire in the junction box.
4. Connect the two black wires together; then the two red wires together. See Figure 2.
5. Connect the green or bare grounding wire from the appliance cable to a grounded wire in the junction box.

C. If connecting to a four-wire electrical system... Do Not connect the cabinet-grounding conductor to the neutral (white) junction box wire.

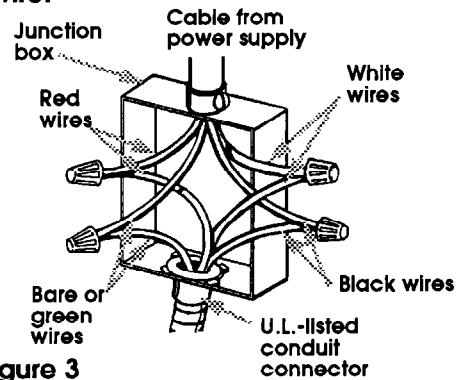


Figure 3

1. Disconnect the power supply.
2. Separate the green (or bare) and white appliance cable wires.
3. Connect the white appliance cable wire to the neutral (white) wire in the junction box.
4. Connect the two black wires together; then the two red wires together. See Figure 3.
5. Connect the green appliance cable wire to the green grounding wire in the junction box.

Now start... with oven in kitchen.

1. Remove shipping materials, tape, and protective film from oven. Do Not remove shipping base at this time.

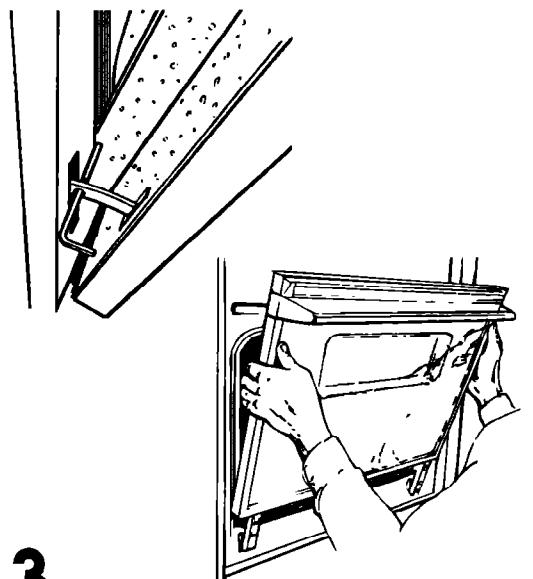
2. Remove the racks and other parts from inside the oven. Remove the air grille taped to the top or side of the oven.

WARNING

Personal Injury/Property Damage Hazard

- Use both hands to remove oven doors.
- Grasp only the sides of oven doors.
- Do Not use handle or any portion of the front frame or trim for lifting.
- Because of the weight and size of the ovens, two or more people are needed to move and safely install the ovens.

Failure to properly grasp the oven doors or to lift ovens properly could result in damage to the product or personal injury.



3. **Single oven or upper double oven door:** Insert a nail (or equivalent, 5/32" diameter item) into the hole in each of the hinges. Close the door as far as possible. Lift the oven door off of the hinges. Set aside.
Lower double oven door: Open the oven door to the broil "stop" position and lift the door upwards to remove. Set oven door aside.

CAUTION

Property Damage

Before moving ovens across floor, check that ovens are on shipping base or slide ovens onto cardboard or hardboard.

Failure to follow these instructions may result in damage to floor covering.

- 4.** Turn power supply off. Move oven close to final position. Remove and discard shipping base. Feed appliance cable through the opening in cabinet. Make electrical connection. See "Electrical requirements" and "Electrical connection" sections, Panel B.

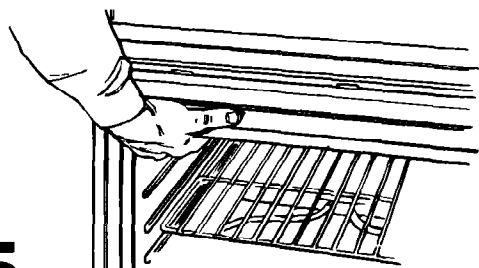
CAUTION

Product Damage

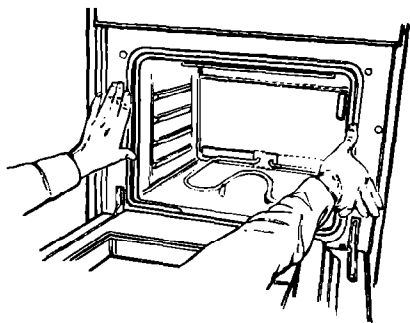
Carefully push against the seal area of the oven front frame when pushing the oven into the cabinet.

Do Not push against outside edges.

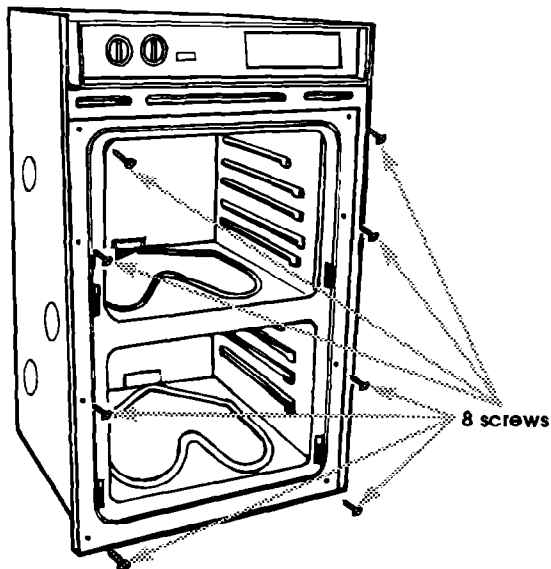
Failure to follow these instructions can result in damage to oven finish.



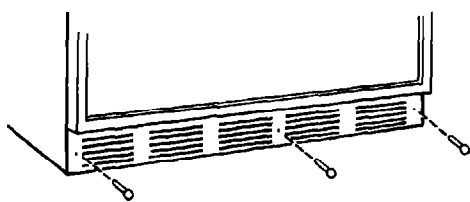
- 5.** Lift oven up into cabinet cutout using the oven opening as an area to grip.



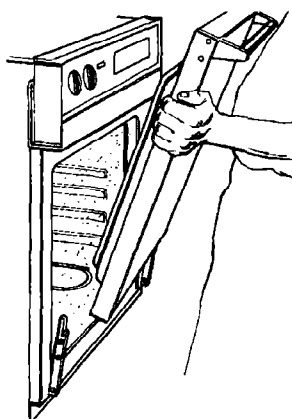
Push against seal area of front frame to push oven into cabinet.



- 6.** Center oven into cabinet cutout. Use four screws (eight screws for a double oven) through the mounting holes in the front frame of the oven to secure the oven to the cabinet. Do Not overtighten screws.



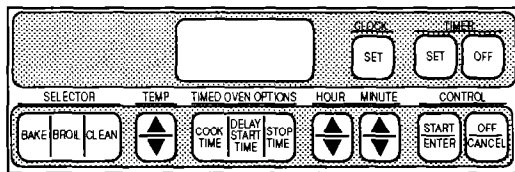
- 7.** Put the air grille in place below the oven opening, making sure that the louvers in the air grille point down, the flange is at the bottom, and the mounting holes are at the top. Slide the air grille into position and attach it to the oven cabinet with the three, black or chrome, metal screws provided.



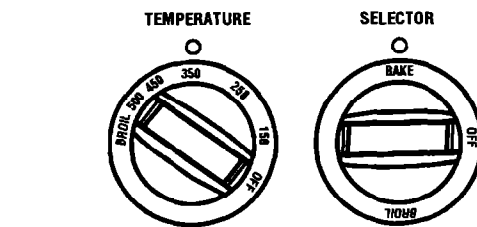
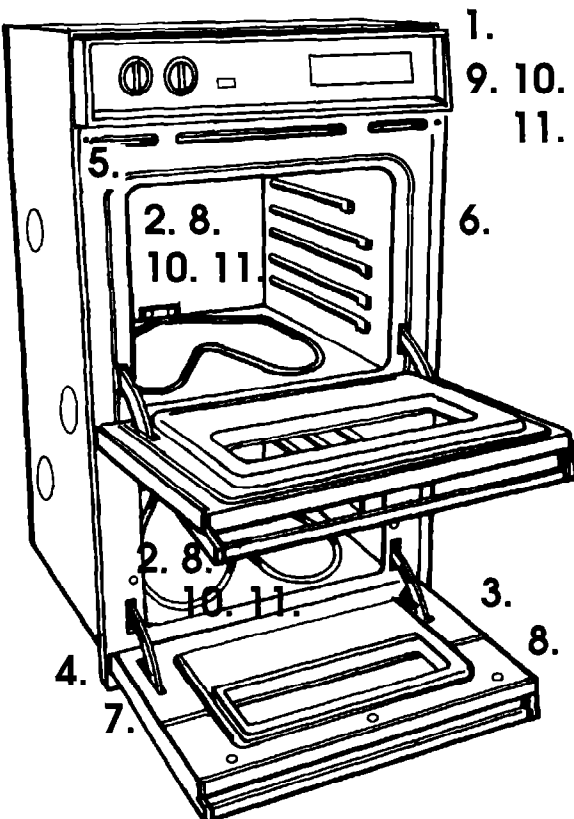
- 8.** Replace the oven racks. Replace the single oven or upper double oven door by fitting both corners of the door over the ends of the hinges. Remove the nails from the ends of the hinges. Close the oven door. If the door does not close, you have not pushed the door completely onto the hinges.

Replace the lower double oven door by fitting both corners of the door over the ends of the hinges. Push door evenly and completely onto the hinges. Close the oven door. If the door does not close, you have not pushed the door completely onto the hinges.

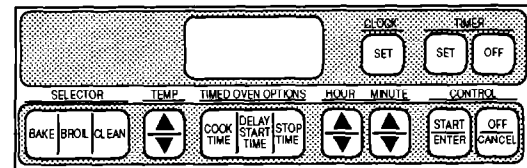
- 9.** Turn on the power supply. "PF" should appear in the temperature display and "88:88" should appear in the clock display. Press the "CLOCK SET" button. "TIME, HR AND MIN" will light in the display. "0:00" will appear and ":" will be flashing. Press the "HOUR" and "MINUTE" arrows to set the clock to the correct time of day. Press the "START/ENTER" button to start the clock.



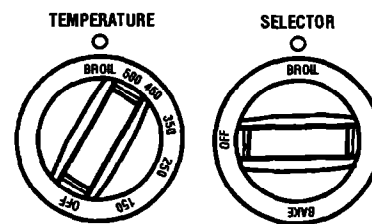
- 10.** Check the operation of the single oven or upper oven. Press the "BAKE" button. "350°" will appear in the display. Press the "START/ENTER" button to start the bake operation. In 1-2 minutes, the bottom element should glow red. The upper element should become hot, but not glow red. The single or upper oven indicator light should be on and the oven should be heating. The oven indicator light goes off when the oven is preheated. Press the "OFF/CANCEL" button.



Check the operation of the lower oven. Set the oven selector control knob to "BAKE." Set the oven temperature control knob to "350°F." In 1-2 minutes, the bottom element should glow red. The upper element should become hot, but not glow red. The lower oven indicator light should be on and the oven should be heating. The oven indicator light goes off when the oven is preheated. Turn the oven selector and temperature control knobs to "OFF."



- 11.** Check the operation of the single or upper oven broil element. Press the "BROIL" button. "500°" will appear in the display. Press the "START/ENTER" button to start the broil operation. In 1-2 minutes, the upper element should glow red. The single or upper oven indicator light should be on and the oven should be heating. Press the "OFF/CANCEL" button.

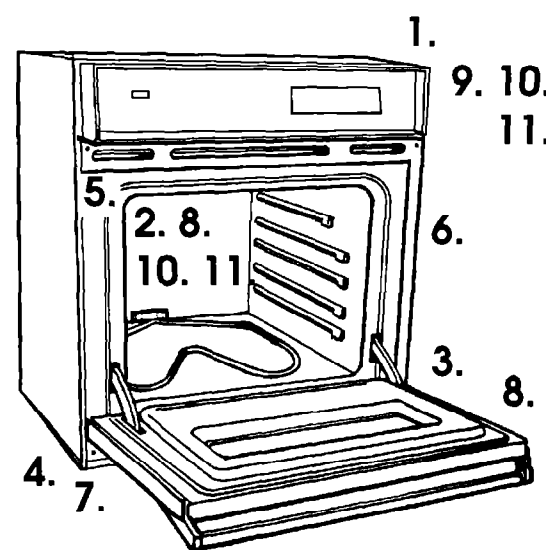


Check the operation of the lower oven broil element. Set the oven selector and oven temperature control knobs to "BROIL." In 1-2 minutes, the upper element should glow red. The lower oven indicator light should be on and the oven should be heating. Turn the oven selector and temperature control knobs to "OFF."

You have just finished installing your new Whirlpool oven. To get the most efficient use from your new oven, read your Whirlpool Use & Care Guide.

Congratulations!

Keep Installation Instructions and Guide close to oven for easy reference. The instructions will make reinstalling your Whirlpool oven in another home as easy as the first installation.



Numbers correspond to steps.

If the oven does not operate...

- Check that the circuit breaker is not tripped or the house fuse blown.
- See Use and Care Guide for troubleshooting checklist.

NOTE:

Refer to Use and Care Guide for operating instructions and cleaning instructions.

If you need assistance...

The Whirlpool Consumer Assistance Center will answer any questions about operating or maintaining your oven not covered in the Installation Instructions. The Whirlpool Consumer Assistance Center is open 24 hours a day, 7 days a week. Just dial 1-800-253-1301 — the call is free. When you call, you will need the oven model number and serial number. Both numbers can be found on the serial/rating plate located behind the oven door (double oven models — upper oven) on the front frame.

If you need service...

In the event that your Whirlpool appliance should need service, call the dealer from whom you purchased the appliance or a Whirlpool-authorized service company. A Whirlpool-authorized service company is listed in the Yellow Pages of your telephone directory under "Appliances — Household — Major — Service or Repair." You can also obtain the service company's name and telephone number by dialing, free, within the continental United States, the Whirlpool Consumer Assistance Center telephone number, 1-800-253-1301. A special operator will tell you the name and number of your nearest Whirlpool-authorized service company.

Maintain the quality built into your Whirlpool appliance — call a Whirlpool-authorized service company.



Printed on recycled paper.
10% post consumer waste/
50% recovered materials.