

# UNIVERSAL/MULTIFLEX

## Factory Parts Catalog

Product No.	RH36PC60GSA	RH42PC60GSA
Market	North America	North America
Color	stainless steel	stainless steel
Exhaust-CFM	600 CFM	600 CFM
Volts	120	120
Owner's Guide	316488523	316488523
Installation Instructions	316488523	316488523
Wiring Diagram	5995588323	5995547832

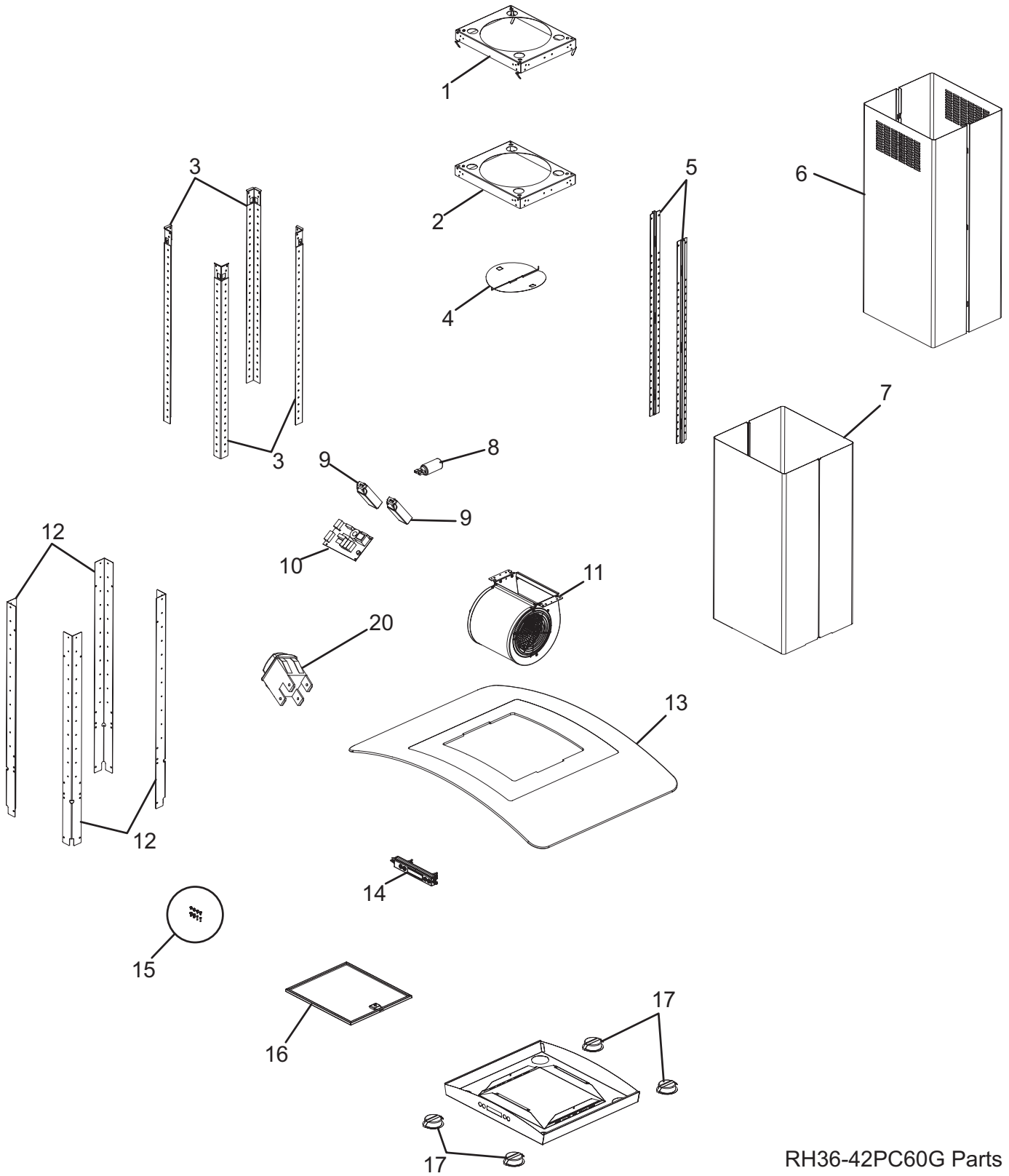
This Catalog replaces 5995588323

Publication No.  
**5995668778**  
 15/10/06  
 (EN/SERVICE/KC)  
 099

### RANGE HOOD

Model No.  
 RH36PC60G /  
 RH42PC60G

REPLACEMENT PARTS



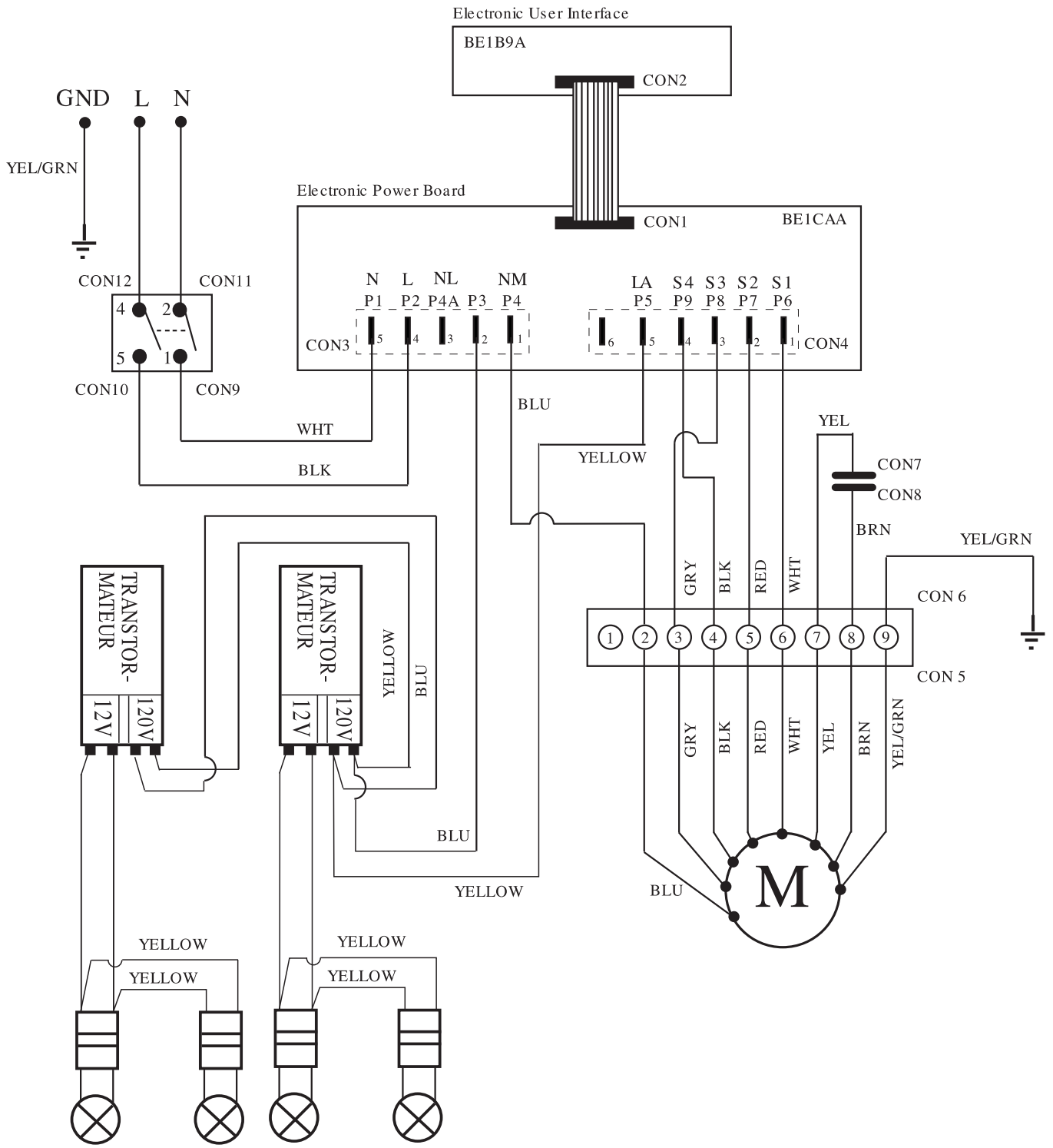
RH36-42PC60G Parts

**REPLACEMENT PARTS**

*Model Index:* A RH36PC60G (RH36PC60GSA)  
B RH42PC60G (RH42PC60GSA)

POS. NO	PART NO.		DESCRIPTION
1	5304466259	A B	Support, horizontal, upper(Hoods with Serial Numbers 2F82700001through 2F84299999)
1	5304472729	A B	Support, ceiling hanger(Hoods with Serial Numbers starting at2F843300703)
2	5304464287	A B	Support, horizontal, lower(Hoods with Serial Numbers 2F82700001through 2F84299999)
3	5304464288	A B	Support, vertical, upper, angle(Hoods with Serial Numbers 2F82700001through 2F84299999)
3	5304472728	A B	Support, vertical, upper, angle(Hoods with Serial Numbers starting at2F843300703)
4	5304466258	A B	Damper, exhaust
5	5304464289	A B	Support, duct cover, vertical(Hoods with Serial Numbers 2F82700001through 2F84299999)
5	5304472730	A B	Support, duct cover, vertical(Hoods with Serial Numbers starting at2F843300703)
6	5304466679	A B	Cover, duct, upper, (2 required)(Hoods with Serial Numbers 2F82700001through 2F84299999)
6	5304472692	A B	Cover, duct, upper, (2 required)(Hoods with Serial Numbers starting at2F843300703)
7	5304466680	A B	Cover, duct, lower, (2 required)(Hoods with Serial Numbers 2F82700001through 2F84299999)
7	5304472691	A B	Cover, duct, lower, (2 required)(Hoods with Serial Numbers starting at2F843300703)
8 #	5304464261	A B	Capacitor
9 #	5304464262	A B	Transformer
10 #	5304464263	A B	PC Board, power/main, w/spacers
11 #	5304466260	A B	Blower Assembly
12	5304464292	A B	Support, vertical, lower, angle(Hoods with Serial Numbers 2F82700001through 2F84299999)
12	5304472731	A B	Support, vertical, lower, angle(Hoods with Serial Numbers starting at2F843300703)
13 #	5304464293	A -	Canopy, 36 inch, glass
13 #	5304466261	- B	Canopy, 42 inch, glass
14 #	5304464201	A B	Control Panel, display, LCD
15	5304466263	A B	Screw Kit, assembly
16 #	5304464265	A B	Filter, grease
17 #	5304464266	A B	Lampholder, socket, w/housing, lamp
20 #	5304472119	A B	Switch, on/off
* #	5304464294	A B	Hardware Kit, installation
* #	5304466745	A B	Recirculation Kit, island, w/filter
* #	5304466255	A B	Filter, charcoal, recirculation

**WIRING DIAGRAM**



**SE1RBA**