



*GE Appliances*

# Room Air Conditioners

*Owner's Manual &  
Installation Instructions*

*AVM14      AVM22  
AVM15      AVM24  
AVM18      AVN24  
                 AVP24*



Safety Instructions	<p><b>Safety Information</b></p> <p>Safety Precautions .....3</p> <p>Use of Extension Cords .....3</p> <p>Use of Adapter Plugs .....3</p>
Operating Instructions	<p><b>Operating Instructions</b></p> <p>Controls .....4, 5</p> <p>Care and Cleaning .....6</p>
Installation Instructions	<p><b>Installation Instructions</b></p> <p>Preparing to Install the Air Conditioner .....7</p> <p>Window Installation .....8-12</p> <p>Through-the-Wall .....13</p>
Troubleshooting Tips	<p><b>Troubleshooting Tips</b></p> <p>Before You Call For Service .....14</p> <p>Normal Operating Sounds .....14</p>
Customer Service	<p><b>Customer Service</b></p> <p>Warranty .....15</p> <p>Service Telephone Numbers .....Back Cover</p>

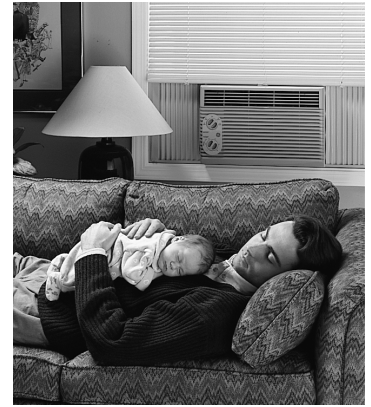
# Congratulations!

## You Are Now Part of the GE Family

Welcome to the GE family. We're proud of our quality products and we are committed to providing dependable service. You'll see it in this easy-to-use Owner's Manual and you'll hear it in the friendly voices of our customer service department.

Best of all, you'll experience these values each time you use your air conditioner. That's important, because your new air conditioner will be part of your family for many years. And we hope you will be part of ours for a long time to come.

We thank you for buying GE. We appreciate your purchase, and hope you will continue to rely on us whenever you need quality appliances for your home.



### GE & You, A Service Partnership.



#### IMPORTANT!

Fill out and return the Consumer Product Registration Card that is packed with this product.



#### FOR YOUR RECORDS

Write the model and serial numbers here:

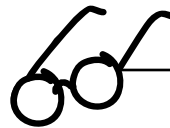
# \_\_\_\_\_

# \_\_\_\_\_

You can find them on a label near the air discharge area and /or on a label on the side of the air conditioner.

#### Staple sales slip or cancelled check here.

Proof of the original purchase date is needed to obtain service under the warranty.



#### READ THIS MANUAL

Inside you will find many helpful hints on how to use and maintain your air conditioner properly. Just a little preventive care on your part can save you a great deal of time and money over the life of your air conditioner.



#### IF YOU NEED SERVICE

You'll find many answers to common problems in the *Before You Call For Service* section. If you review our chart of *Troubleshooting Tips* first, you may not need to call for service at all.

If you do need service, you can relax knowing help is only a phone call away. A list of toll-free customer service numbers is included in the back section. Or, you can always call the GE Answer Center® at 800.626.2000, 24 hours a day, 7 days a week.

# IMPORTANT SAFETY INFORMATION. READ ALL INSTRUCTIONS BEFORE USING.

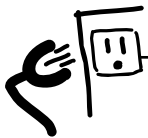
## **⚠ WARNING!**

For your safety, the information in this manual must be followed to minimize the risk of fire, electric shock or personal injury.



## SAFETY PRECAUTIONS

- Use this appliance only for its intended purpose as described in this Owner's Manual.
  - This air conditioner must be properly installed in accordance with the Installation Instructions before it is used.
  - Never unplug your air conditioner by pulling on the power cord. Always grip plug firmly and pull straight out from the receptacle.
  - Repair or replace immediately all electric service cords that have become frayed or otherwise damaged. Do not use a cord that shows cracks or abrasion damage along its length or at either the plug or connector end.
  - Turn the mode control to **OFF** and unplug your air conditioner before making any repairs or cleaning.
- NOTE:** We strongly recommend that any servicing be performed by a qualified individual.
- For your safety...do not store or use combustible materials, gasoline or other flammable vapors or liquids in the vicinity of this or any other appliance.



## HOW TO CONNECT ELECTRICITY

*Do not, under any circumstances, cut or remove the third (ground) prong from the power cord. For personal safety, this appliance must be properly grounded.*

The power cord of this appliance is equipped with a 3-prong (grounding) plug which mates with a standard 3-prong (grounding) wall outlet to minimize the possibility of electric shock hazard from this appliance.

Have the wall outlet and circuit checked by a qualified electrician to make sure the outlet is properly grounded.

Where a 2-prong wall outlet is encountered, it is your personal responsibility and obligation to have it replaced with a properly grounded 3-prong wall outlet.

The air conditioner should always be plugged into its own individual electrical outlet which has a voltage rating that matches the rating plate.

This provides the best performance and also prevents overloading house wiring circuits which could cause a fire hazard from overheated wires.

See the Installation Instructions, *Electrical Requirements* section for specific electrical connection requirements.

# IMPORTANT SAFETY INFORMATION. READ ALL INSTRUCTIONS BEFORE USING.

Safety Instructions

## ⚠ **WARNING!**



### USE OF EXTENSION CORDS – 115-Volt models only

*Because of potential safety hazards under certain conditions, we strongly recommend against the use of an extension cord.*

However, if you must use an extension cord, it is absolutely necessary that it be a UL-listed, 14 gauge, 3-wire grounding type appliance extension cord having a grounding type plug and outlet and that the electrical rating of the cord be 15 amperes (minimum) and 125 volts.

## ⚠ **CAUTION:**

**DO NOT** use an extension cord with any of the 230/208 volt models.

Operating Instructions



### USE OF ADAPTER PLUGS – 115-Volt models only

*Because of potential safety hazards under certain conditions, we strongly recommend against the use of an adapter plug.*

However, if you must use an adapter, where local codes permit, a **temporary connection** may be made to a properly grounded 2-prong wall outlet by use of a UL-listed adapter available at most local hardware stores.

The larger slot in the adapter must be aligned with the larger slot in the wall outlet to provide proper polarity in the connection of the power cord.

When disconnecting the power cord from the adapter, always hold the adapter in place with one hand while pulling the power cord plug with the other hand. If this is not done, the adapter ground terminal is very likely to break with repeated use.

If the adapter ground terminal breaks, **DO NOT USE** the air conditioner until a proper ground has been established.

*Attaching the adapter ground terminal to a wall outlet cover screw does not ground the appliance unless the cover screw is metal, and not insulated, and the wall outlet is grounded through the house wiring. You should have the circuit checked by a qualified electrician to make sure the outlet is properly grounded.*

Installation Instructions

Troubleshooting Tips



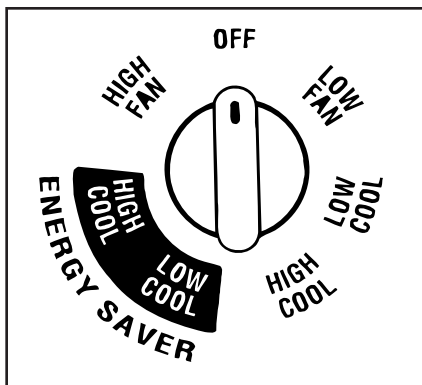
*Read and follow this Safety Information carefully.*

## **SAVE THESE INSTRUCTIONS**

Customer Service

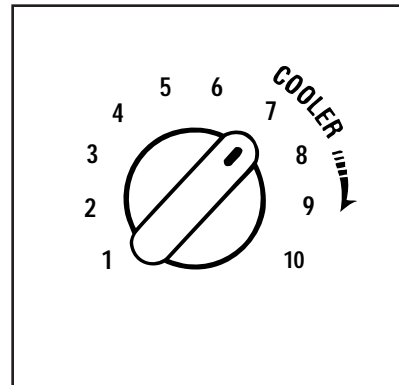
# About the controls on the air conditioner.

Features and appearance may vary.



MODE CONTROL

1



TEMP CONTROL

2



## Controls

**1 Mode Control**  
*HIGH COOL* and *LOW COOL* provide cooling with different fan speeds.

*HIGH FAN* and *LOW FAN* provide air circulation and filtering without cooling.

The *ENERGY SAVER* feature provides for either *HIGH COOL* or *LOW COOL* selection.

The fan will run continuously in the *ENERGY SAVER* mode. It will change to a lower RPM speed when the compressor cycles off. When the compressor cycles back on, the fan speed will change back to the higher speed.

**NOTE:** If you move the mode control from a cool setting to *OFF* or to a fan setting, wait at least 3 minutes before switching back to a cool setting.

### Cooling Descriptions

**For Normal Cooling**—Select *HIGH* or *LOW COOL* with the temp control at 5.

**For Maximum Cooling**—Select *HIGH COOL* with the temp control at 10.

**For Quieter & Nighttime Cooling**—Select *LOW COOL* with the temp control at 5.

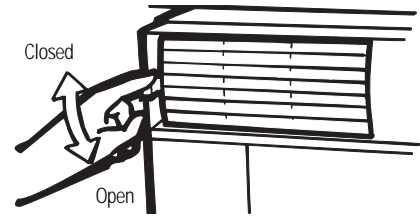
**2 Temp Control**  
The temp control is used to maintain the room temperature. The compressor will cycle on and off to keep the room at the same level of comfort. When you turn the knob to a higher number the indoor air will become cooler. Turn the knob to a lower number and the indoor room will become warmer.

## About the controls on the air conditioner.

Additional controls and important information.

### Vent Control

When set at **CLOSE**, only the air inside the room will be circulated and conditioned. When set at **OPEN**, some inside air is exhausted outside.

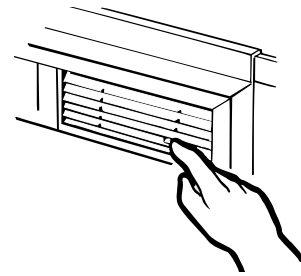


### Air Direction

Two levers on each side of the grille let you control the air direction left or right.

Fingertip pressure on the tabs adjusts the air direction up or straight ahead.

**Do not adjust the louvers down any lower than straight out.** Air that is blown down will affect the thermostat, causing the air conditioner to turn off before the room is cooled.



## Care and cleaning of the air conditioner.

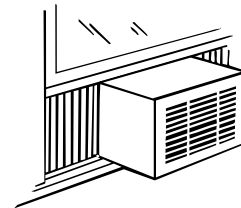
### Grille and Case

Turn the air conditioner off and remove the plug from the wall outlet before cleaning.

To clean, use water and a mild detergent. Do not use bleach or abrasives.

### Outdoor Coils

The coils on the outdoor side of the air conditioner should be checked regularly. If they are clogged with dirt or soot they may be professionally steam cleaned, a service available through your GE service outlet.



### Air Filter

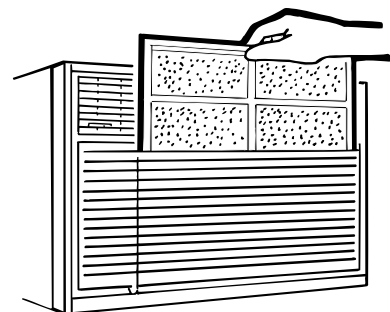
The air filter behind the front grille should be checked and cleaned at least every 30 days or more often if necessary.

#### To remove:

Lift the top of the filter and gently pull it up.

Clean the filter with warm, soapy water. Rinse and let the filter dry before replacing it.

**CAUTION:** DO NOT operate the air conditioner without a filter because dirt and lint will clog it and reduce performance.



# Preparing to install the air conditioner.

Read these instructions completely and carefully.



## Before You Begin

**NOTE TO INSTALLER:** Leave these instructions with the air conditioner after installation is completed.

**NOTE TO CONSUMER:** Keep this Owner's Manual and Installation Instructions for future use.

### IMPORTANT NOTES:

For personal safety, this air conditioner must be properly grounded.

It is important to have the wall outlet and circuit checked by a qualified electrician if there is any doubt as to whether a proper ground exists.

Follow National Electric Codes (NEC) and/or local codes and ordinances.



### CAUTION:

Do not, under any circumstances, cut or remove the third (ground) prong from the power cord.

Do not change the plug on the power cord of this air conditioner.

Aluminum house wiring may present special problems—consult a qualified electrician.



## Electrical Requirements



Some models require 115/120-volt a.c., 60 Hz grounded outlet protected with a 15-amp time delay fuse or circuit breaker.

The 3-prong grounding plug minimizes the possibility of electric shock hazard. If the wall outlet you plan to use is only a 2-prong outlet, it is your responsibility to have it replaced with a properly grounded 3-prong wall outlet.



Some models require 230/208-volt a.c., protected with a time delay fuse or circuit breaker. These models should be installed on their own single branch circuit for best performance and to prevent overloading house or apartment wiring circuits, which could cause a possible fire hazard from overheating wires.



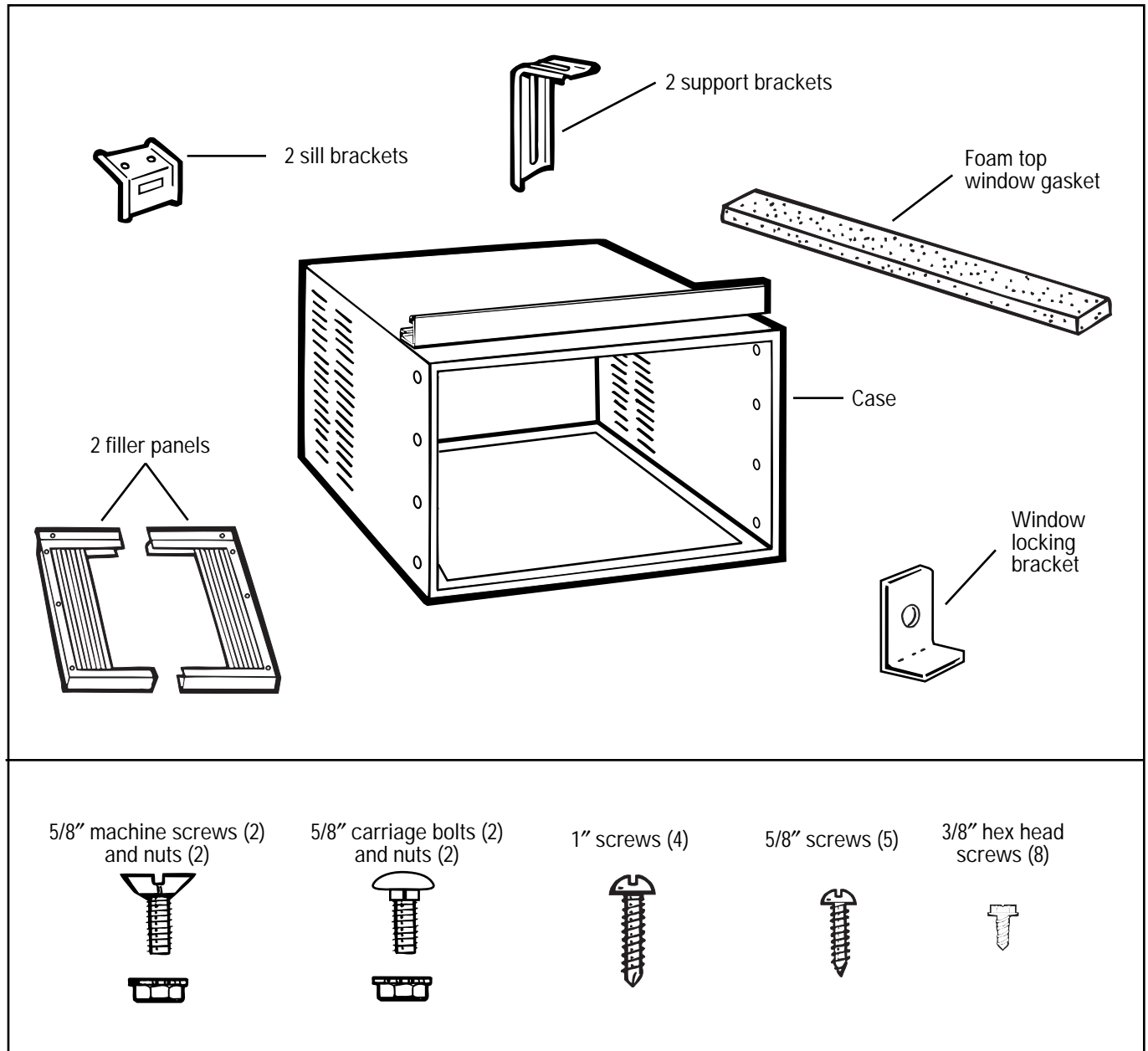
## Tools You Will Need

- Hex driver or wrench
- Flat-blade screwdriver
- Ruler or tape measure
- Scissors or knife

- Pencil
- Level
- Hammer

# Window Installation Instructions

## Parts Included



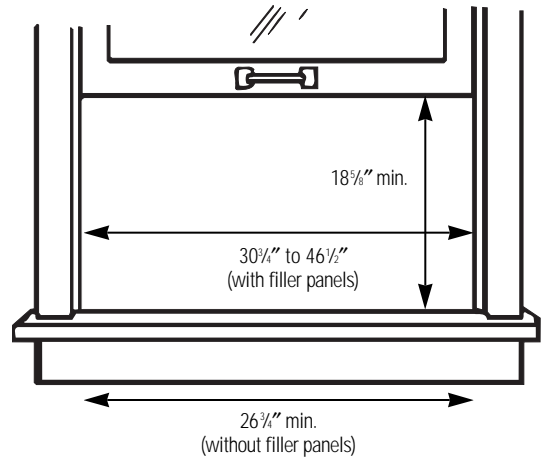


Read completely, then follow step-by-step.



### Window Requirements

- These instructions are for a standard double-hung window. You will need to modify them for other types of windows.
- The air conditioner can be installed without the filler panels if needed to fit in a narrow window. See the window opening dimensions to the right.
- All supporting parts must be secured to firm wood, masonry or metal.
- The electrical outlet must be within reach of the power cord.

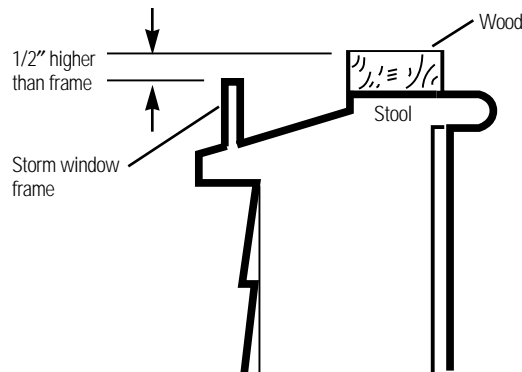


Window opening dimensions are for a standard double-hung window.



### Storm Window Requirements

A storm window frame will not allow the air conditioner to tilt towards the outside and will keep it from draining properly. To adjust for this, attach a piece of wood to the stool.



#### WOOD PIECES—

**WIDTH:** 2"

**LENGTH:** Long enough to fit inside the window frame.

**THICKNESS:** To determine the thickness, place a piece of wood on the stool to make it 1/2" higher than the top of the storm window frame.

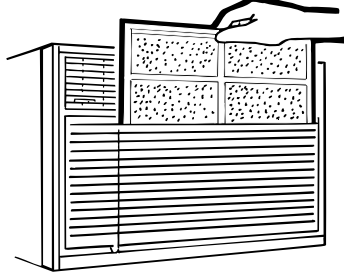
Attach securely with nails or screws provided by the installer.

# Window Installation Instructions

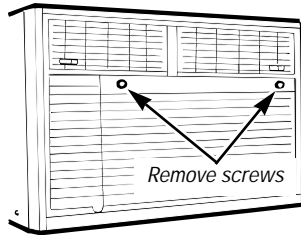
## 3

### Remove the Air Conditioner from the Case

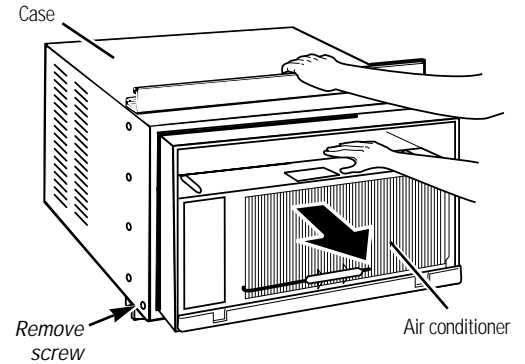
- A** Remove the air filter. Lift the top of the filter and gently pull it up.



- B** Remove the 2 screws and lift off the front grille.  
Keep these screws to re-attach the grille later.



- C** Remove one screw from each side of the case. Keep these ground/anti-theft screws so they may be replaced at the end of the installation.



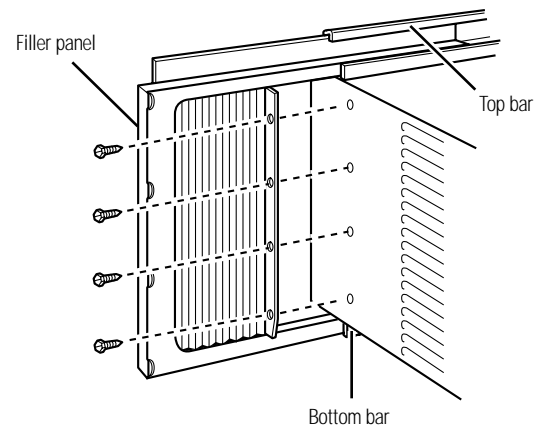
- D** Slide the air conditioner out of the case by grasping the rear of the evaporator cover and pulling forward while bracing the case.

**NOTE:** The air conditioner is very heavy. It may require two or more people to remove it from the case.

## 4

### Attach the Filler Panels to the Case

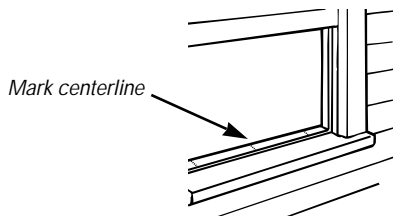
Attach filler panels to the existing holes in the case using eight #8 x 3/8" long hex head screws.



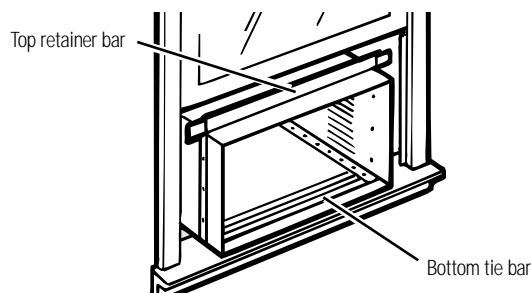
5

### Install the Case in the Window

- A** Open the window and mark the centerline on the stool.

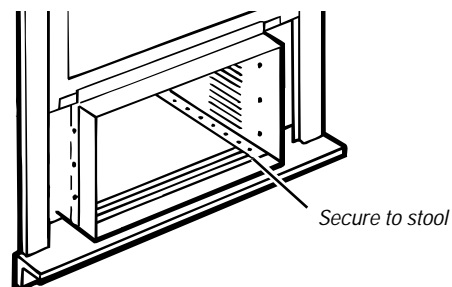


- B** Carefully place the case in the window and align the center of the bottom tie bar with the centerline on the window stool. Do not release your grip on the case until the window is in its final position.



- C** Close the window until it touches behind the top retainer bar.

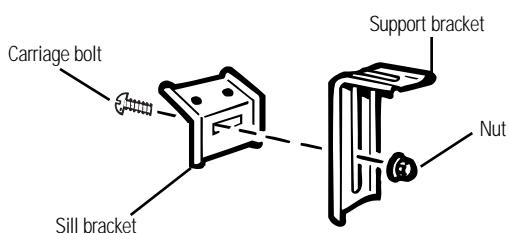
- D** Secure the case through the case track into the window stool on each side, using two 1" screws.



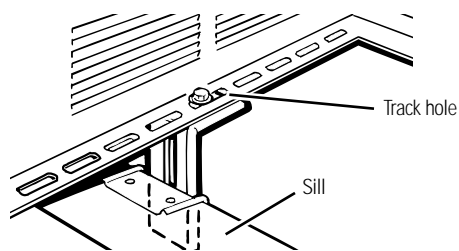
6

### Assemble and Attach the Sill and Support Brackets

- A** Loosely attach the sill brackets to the support brackets with 5/8" long carriage bolts and nuts.

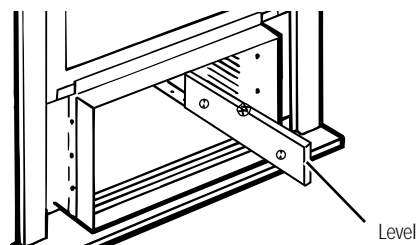


- B** Find the track hole that aligns with the sill bracket on the outer edge of the window sill. Using the 5/8" long machine screws and nuts attach the support brackets to the case track hole on each side.



- C** Attach both sill brackets to the window sill using a 1" long screw on each side.

- D** Tighten the bolts and nuts on both sides.



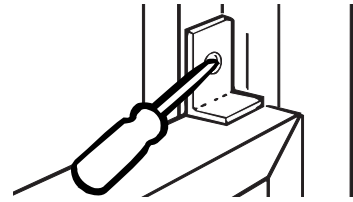
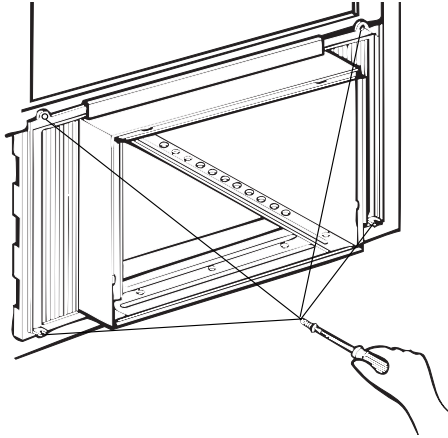
**NOTE:** When finished, use a level to make sure the case tilts to the outside 1/4" minimum. This prevents water from entering the room.

# Window Installation Instructions



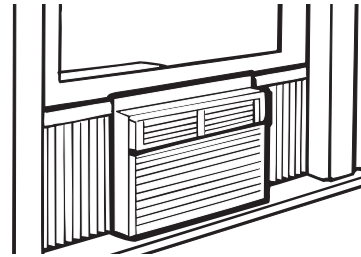
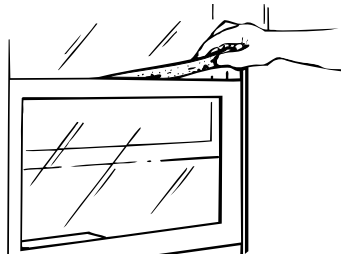
## Install the Window Filler Panels and Locking Bracket

- A** Extend the filler panels to fill the window opening.
- B** Secure the panels using four 5/8" long screws.
- C** Attach the window locking bracket with a 5/8" screw.



## Install the Window Gasket and Replace the Air Conditioner

- A** Cut the foam top window gasket to the window width. Stuff the foam between the glass and the window to prevent air and insects from getting into the room.
- B** Slide the air conditioner into the case and replace the front grille. Install the two ground/anti-theft screws removed at the beginning of the installation.



- C** Install the front grille and attach to case using the 2 screws removed previously. Reinstall the air filter to the front grille.
- D** Make sure the unit is **OFF** before inserting cord plug into the outlet.
- E** Check all seals and plug any remaining air gaps with a suitable weatherproof caulk.

# Through-the-Wall Installation

The case may be installed through-the-wall in both existing and new construction.

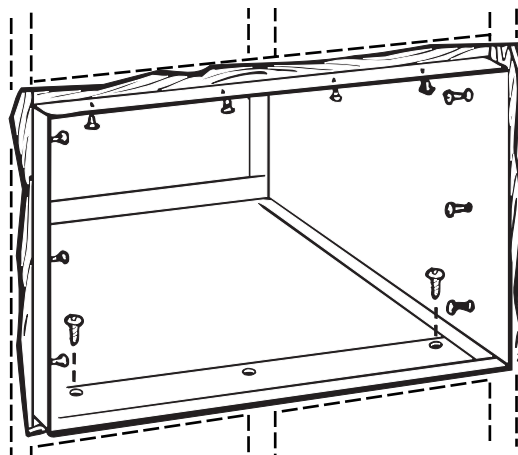
Read completely, then follow step-by-step.



## IMPORTANT:

- Any side louvers must project on the outdoor side of the wall.
- The room side of the case must project into the room at least 1 1/2" from the finished wall.
- The case must be installed level from side-to-side and with a 1/4" tilt from front to rear.

- A** Remove the air conditioner from the case. For specific instructions, refer to the *Window Installation Instructions*.
- B** Make certain a wall receptacle is available close to the hole location or make arrangements to install a receptacle.
- C** Determine the size of wall opening by adding 1/8" to the height and width of the case. Measure height from the top of the case to the bottom of the rail.
- D** Place the case in the wall opening and secure the bottom rail, case sides and top with 12 1" long #10 wood screws.

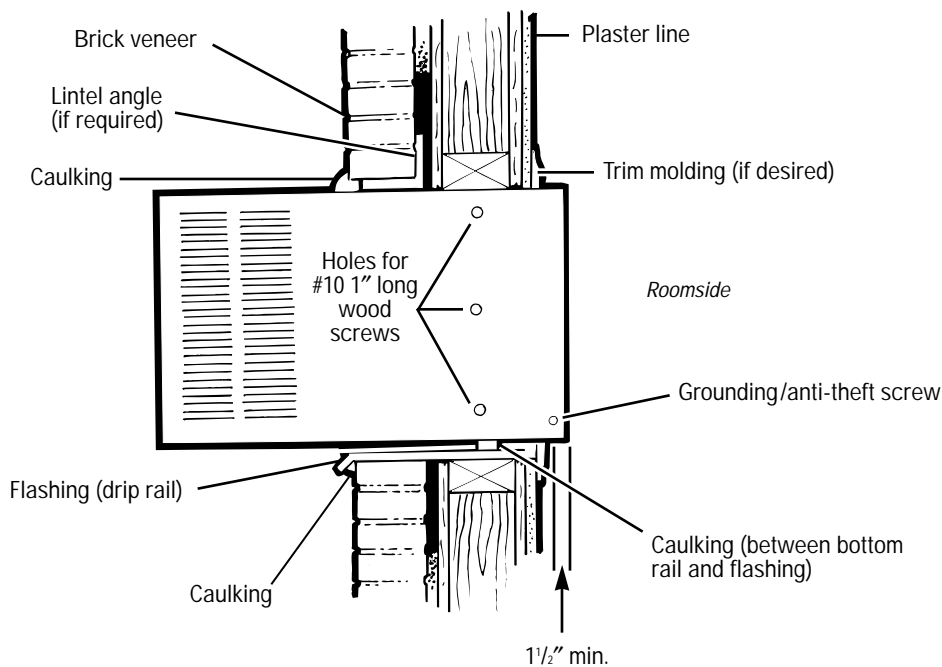


**NOTE:** Drill pilot holes, if necessary, for proper installation. If the frame is oversized, use shims to prevent case distortion.



## Finish the Wall Opening

Caulk all four sides on the outdoor side of the case to prevent moisture from getting through to the interior wall. Use of flashing (drip rail) will further prevent water from dripping inside the wall and down the outside of the building.



## Before you call for service...



### Troubleshooting Tips

Save time and money! Review the chart below first and you may not need to call for service.

<i>Problem</i>	<i>Possible Causes</i>	<i>What To Do</i>
<i>Air conditioner does not start</i>	<b>The air conditioner is unplugged.</b>	• Make sure the air conditioner plug is pushed completely into the outlet.
	<b>The fuse is blown/circuit breaker is tripped.</b>	• Check the house fuse/circuit breaker box and replace the fuse or reset the breaker.
	<b>Power failure.</b>	• If power failure occurs, turn the mode control to <b>OFF</b> . When power is restored, wait 3 minutes to restart the air conditioner to prevent tripping of the compressor overload.
<i>Air conditioner does not cool as it should</i>	<b>Airflow is restricted.</b>	• Make sure there are no curtains, blinds or furniture blocking the front of the air conditioner.
	<b>The temp control may not be set high enough.</b>	• Turn the knob to a higher number. The highest setting provides maximum cooling.
	<b>The air filter is dirty.</b>	• Clean the filter at least every 30 days. See the <i>Operating Instructions</i> section.
	<b>The room may have been hot.</b>	• When the air conditioner is first turned on you need to allow time for the room to cool down.
	<b>Cold air is escaping.</b>	• Check for open furnace floor registers and cold air returns. • Set the air conditioner's vent to the closed position.
	<b>Cooling coils have iced up.</b>	• See freezing up below.
<i>Air conditioner freezing up</i>	<b>Ice blocks the air flow and stops the air conditioner from cooling the room.</b>	• Set the mode control at <b>HIGH FAN</b> or <b>HIGH COOL</b> with the temp at <b>1</b> or <b>2</b> .

### Normal Operating Sounds

- You may hear a pinging noise caused by water being picked up and thrown against the condenser on rainy days or when the humidity is high. This design feature helps remove moisture and improve efficiency.
- You may hear the thermostat click when the compressor cycles on and off.
- Water will collect in the base pan during high humidity or on rainy days. The water may overflow and drip from the outdoor side of the unit.
- The fan may run even when the compressor is not.

# Air Conditioner Warranty



All warranty service provided by our Factory Service Centers, or an authorized Customer Care® technician. For service, call 800-GE-CARES.

For The Period Of:	GE Will Replace:
<b>One Year</b> From the date of the original purchase	<b>Any part</b> of the air conditioner which fails due to a defect in materials or workmanship. During this <b>full one-year warranty</b> , GE will also provide, <b>free of charge</b> , all labor and in-home service to replace the defective part.
<b>Five Years</b> From the date of the original purchase	<b>Any part of the sealed refrigerating system</b> (the compressor, condenser, evaporator and all connecting tubing) which fails due to a defect in materials or workmanship. During this <b>five-year warranty</b> , GE will also provide, <b>free of charge</b> , all labor and in-home service to replace the defective part.

## What GE Will Not Cover:

- Service trips to your home to teach you how to use the product.
- Replacement of house fuses or resetting of circuit breakers.
- Improper installation. If you have an installation problem, or if the air conditioner is of improper cooling capacity for the intended use, contact your dealer or installer. You are responsible for providing adequate electrical connecting facilities.
- Failure due to corrosion on models not corrosion-protected.
- Failure of the product resulting from modifications to the product or due to unreasonable use including failure to provide reasonable and necessary maintenance.
- Damage to the product caused by improper power supply voltage, accident, fire, floods or acts of God.
- In commercial locations labor necessary to move the unit to a location where it is accessible for service by an individual technician.
- Incidental or consequential damage to personal property caused by possible defects with this air conditioner.

*This warranty is extended to the original purchaser and any succeeding owner for products purchased for home use within the USA. In Alaska, the warranty excludes the cost of shipping or service calls to your home.*

*Some states do not allow the exclusion or limitation of incidental or consequential damages. This warranty gives you specific legal rights, and you may also have other rights which vary from state to state. To know what your legal rights are, consult your local or state consumer affairs office or your state's Attorney General.*

**Warrantor: General Electric Company, Louisville, KY 40225**

## Service Telephone Numbers.



### GE Answer Center® 800.626.2000

The GE Answer Center® is open 24 hours a day, 7 days a week.



### In-Home Repair Service 800-GE-CARES (800-432-2737)

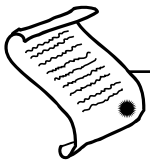
Expert GE repair service is only a phone call away.



### Special Needs Service 800.626.2000

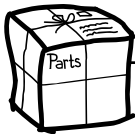
#### 800-TDD-GEAC (800-833-4322)

GE offers, free of charge, a brochure to assist in planning a barrier-free kitchen for persons with limited mobility.



### Service Contracts 800-626-2224

Purchase a GE service contract while your warranty is still in effect and you'll receive a substantial discount. GE Consumer Service will still be there after your warranty expires.



### Parts and Accessories 800-626-2002

Individuals qualified to service their own appliances can have parts or accessories sent directly to their homes (VISA, MasterCard and Discover cards are accepted).

*Instructions contained in this manual cover procedures to be performed by any user. Other servicing generally should be referred to qualified service personnel. Caution must be exercised, since improper servicing may cause unsafe operation.*



### Service Satisfaction

If you are not satisfied with the service you receive from GE:

**First**, contact the people who serviced your appliance.

**Next**, if you are still not pleased, write all the details—including your phone number—to:

Manager, Customer Relations  
 GE Appliances  
 Appliance Park  
 Louisville, KY 40225

**Finally**, if your problem is still not resolved, write:

Major Appliance Consumer Action Program  
 20 North Wacker Drive  
 Chicago, IL 60606