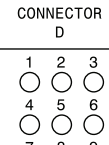
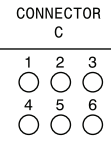
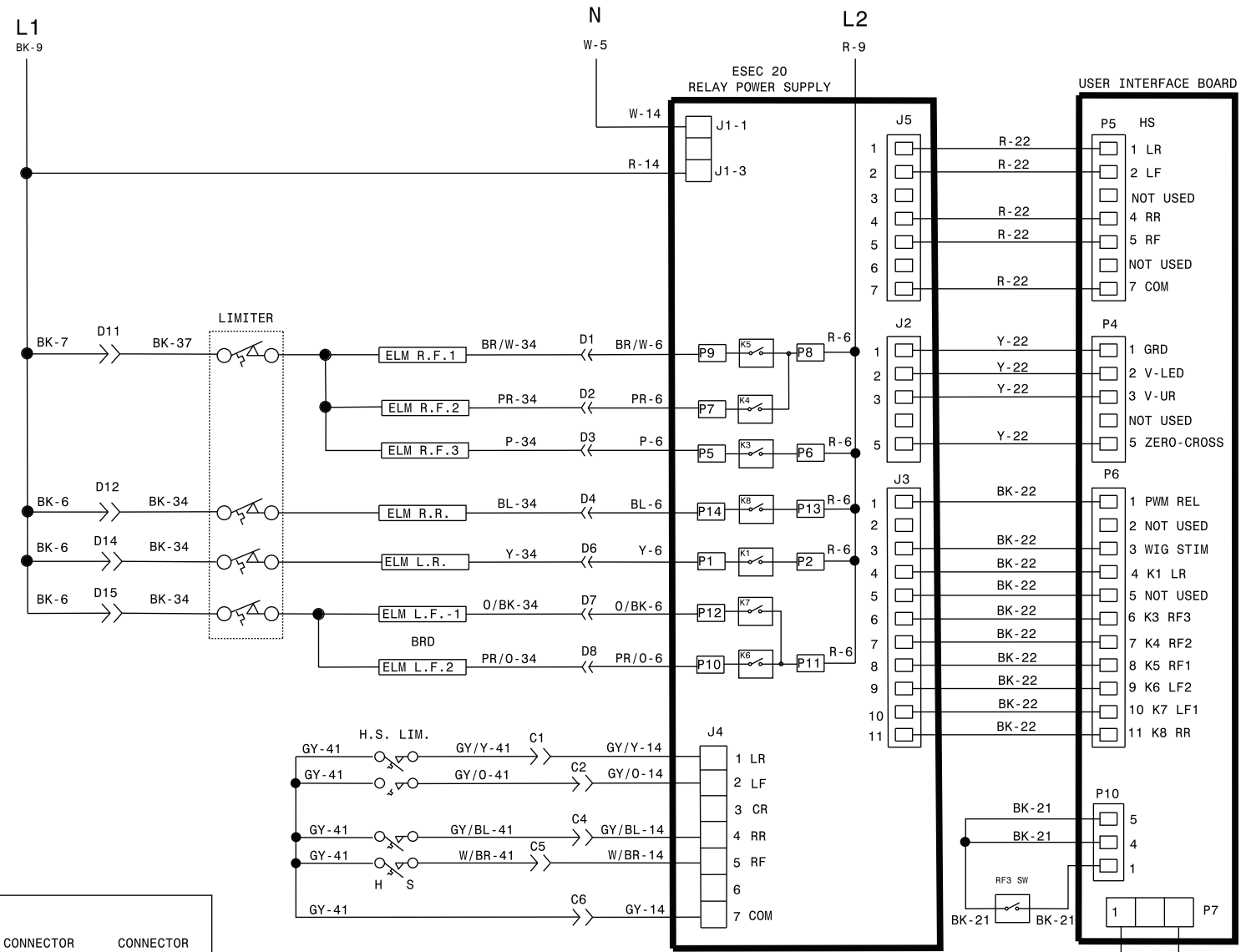


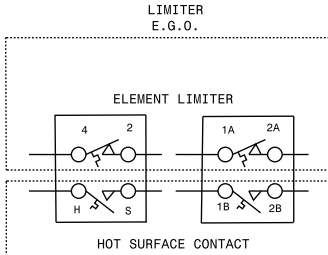
COOKTOP CIRCUIT



- COLORS**
- BK.-BLACK
 - G.-GREEN
 - W.-WHITE
 - R.-RED
 - O.-ORANGE
 - Y.-YELLOW
 - BR.-BROWN
 - BL.-BLUE
 - GY.-GRAY
 - T.-TAN

LEGEND

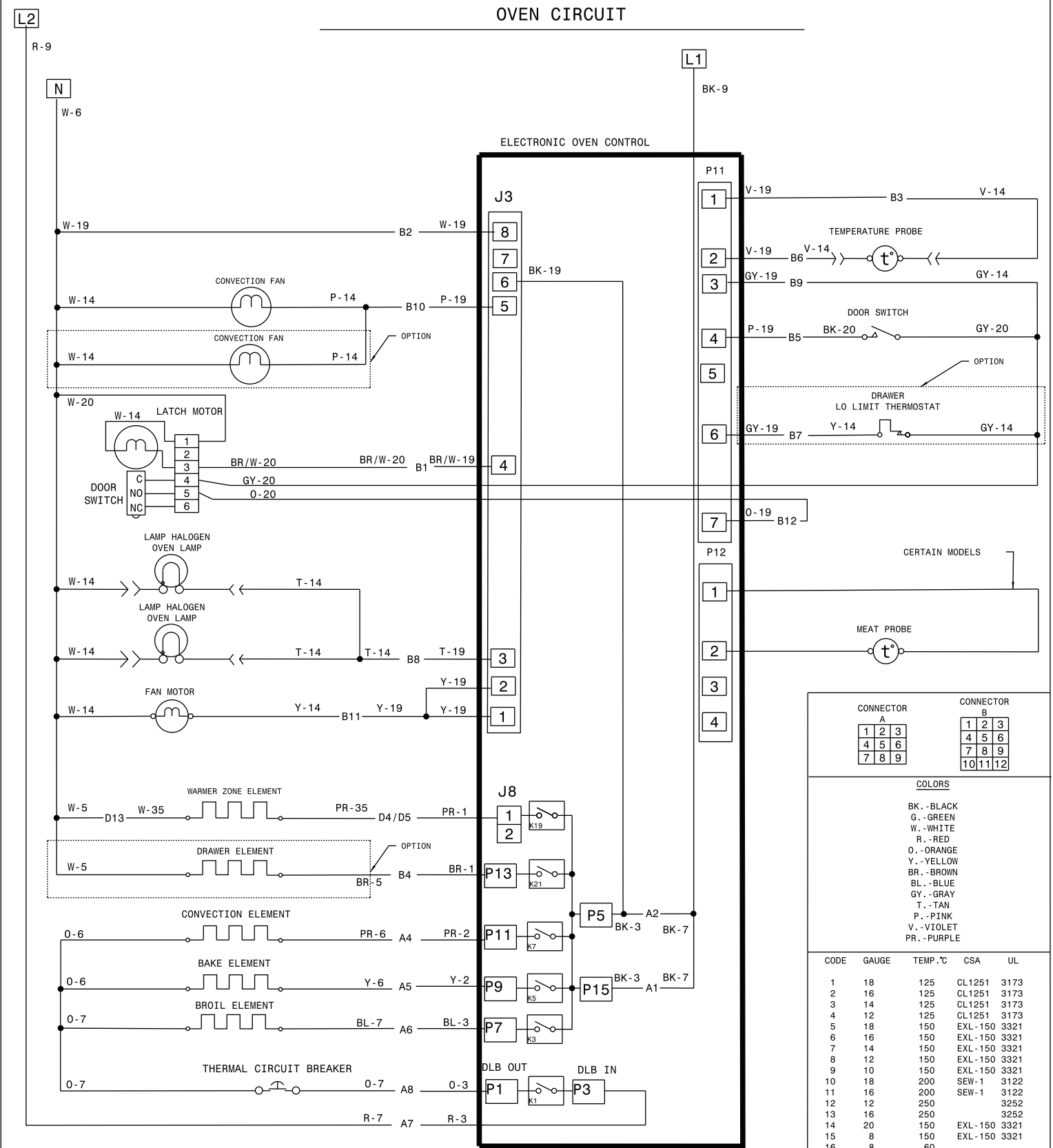
- C.R. - CENTER REAR
- R.F. - RIGHT FRONT
- R.R. - RIGHT REAR
- L.F. - LEFT FRONT
- L.R. - LEFT REAR
- LIM. - LIMITER
- H.S. - HOT SURFACE
- THM. - THERMOSTAT
- BRD. - BRIDGE ELEMENT



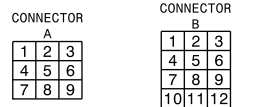
| CODE | GAUGE | TEMP. °C | CSA | UL |
|------|-------|----------|---------|-------|
| 1 | 18 | 125 | CL1251 | 3173 |
| 2 | 16 | 125 | CL1251 | 3173 |
| 3 | 14 | 125 | CL1251 | 3173 |
| 4 | 12 | 125 | CL1251 | 3173 |
| 5 | 18 | 150 | EXL-150 | 3321 |
| 6 | 16 | 150 | EXL-150 | 3321 |
| 7 | 14 | 150 | EXL-150 | 3321 |
| 8 | 12 | 150 | EXL-150 | 3321 |
| 9 | 10 | 150 | EXL-150 | 3321 |
| 10 | 18 | 200 | SEW-1 | 3122 |
| 11 | 16 | 200 | SEW-1 | 3122 |
| 12 | 12 | 250 | | 3252 |
| 13 | 16 | 250 | | 3252 |
| 14 | 20 | 150 | EXL-150 | 3321 |
| 15 | 8 | 150 | EXL-150 | 3321 |
| 16 | 8 | 60 | | |
| 17 | 10 | 60 | | |
| 18 | 10 | 200 | SEW-1 | 3122 |
| 19 | 20 | 125 | CL1251 | 3173 |
| 20 | 20 | 200 | SEW-1 | 3122 |
| 21 | 22 | 125 | | 3266 |
| 22 | 22 | 150 | | 10109 |
| 23 | 18 | 200 | | 3573 |
| 34 | 16 | 200 | | 3512 |
| 35 | 18 | 200 | | 3512 |
| 37 | 14 | 200 | | 3512 |
| 41 | 20 | 200 | | 3512 |

CAUTION: DISCONNECT POWER BEFORE SERVICING UNIT. LABEL ALL WIRES PRIOR TO DISCONNECTION WHEN SERVICING CONTROLS. WIRINGS ERRORS CAN CAUSE IMPROPER AND DANGEROUS OPERATION. VERIFY PROPER OPERATION AFTER SERVICING.

OVEN CIRCUIT



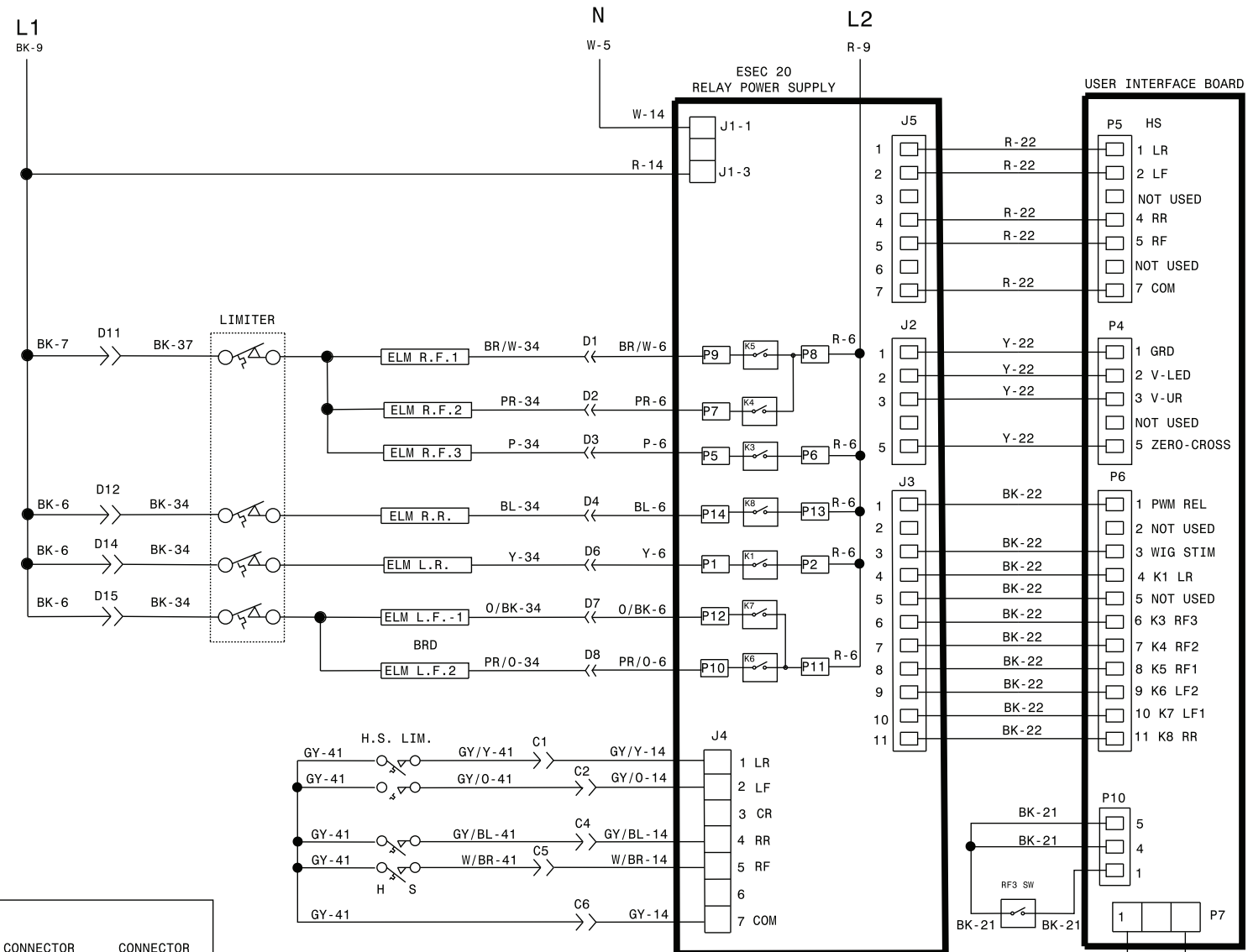
CAUTION: DISCONNECT POWER BEFORE SERVICING UNIT. LABEL ALL WIRES PRIOR TO DISCONNECTION WHEN SERVICING CONTROLS. WIRINGS ERRORS CAN CAUSE IMPROPER AND DANGEROUS OPERATION. VERIFY PROPER OPERATION AFTER SERVICING.



- COLORS**
- BK.-BLACK
 - G.-GREEN
 - W.-WHITE
 - R.-RED
 - O.-ORANGE
 - Y.-YELLOW
 - BR.-BROWN
 - BL.-BLUE
 - GY.-GRAY
 - T.-TAN
 - P.-PINK
 - V.-VIOLET
 - PR.-PURPLE

| CODE | GAUGE | TEMP. °C | CSA | UL |
|------|-------|----------|---------|-------|
| 1 | 18 | 125 | CL1251 | 3173 |
| 2 | 16 | 125 | CL1251 | 3173 |
| 3 | 14 | 125 | CL1251 | 3173 |
| 4 | 12 | 125 | CL1251 | 3173 |
| 5 | 18 | 150 | EXL-150 | 3321 |
| 6 | 16 | 150 | EXL-150 | 3321 |
| 7 | 14 | 150 | EXL-150 | 3321 |
| 8 | 12 | 150 | EXL-150 | 3321 |
| 9 | 10 | 150 | EXL-150 | 3321 |
| 10 | 18 | 200 | SEW-1 | 3122 |
| 11 | 16 | 200 | SEW-1 | 3122 |
| 12 | 12 | 250 | | 3252 |
| 13 | 16 | 250 | | 3252 |
| 14 | 20 | 150 | EXL-150 | 3321 |
| 15 | 8 | 150 | EXL-150 | 3321 |
| 16 | 8 | 60 | | |
| 17 | 10 | 60 | | |
| 18 | 10 | 200 | SEW-1 | 3122 |
| 19 | 20 | 125 | CL1251 | 3173 |
| 20 | 20 | 200 | SEW-1 | 3122 |
| 21 | 22 | 125 | | 3266 |
| 22 | 22 | 150 | | 10109 |
| 23 | 18 | 200 | | 3573 |
| 34 | 16 | 200 | | 3512 |
| 35 | 18 | 200 | | 3512 |
| 37 | 14 | 200 | | 3512 |
| 41 | 20 | 200 | | 3512 |

COOKTOP CIRCUIT



CONNECTOR C

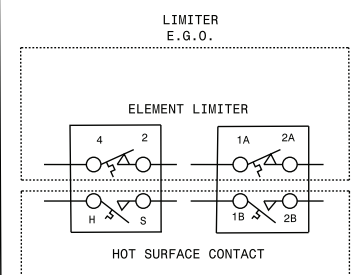
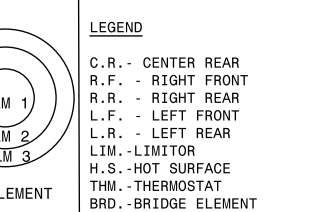
| | | |
|---|---|---|
| 1 | 2 | 3 |
| 4 | 5 | 6 |

CONNECTOR D

| | | |
|----|----|----|
| 1 | 2 | 3 |
| 4 | 5 | 6 |
| 7 | 8 | 9 |
| 10 | 11 | 12 |
| 13 | 14 | 15 |
| 16 | 17 | 18 |

COLORS

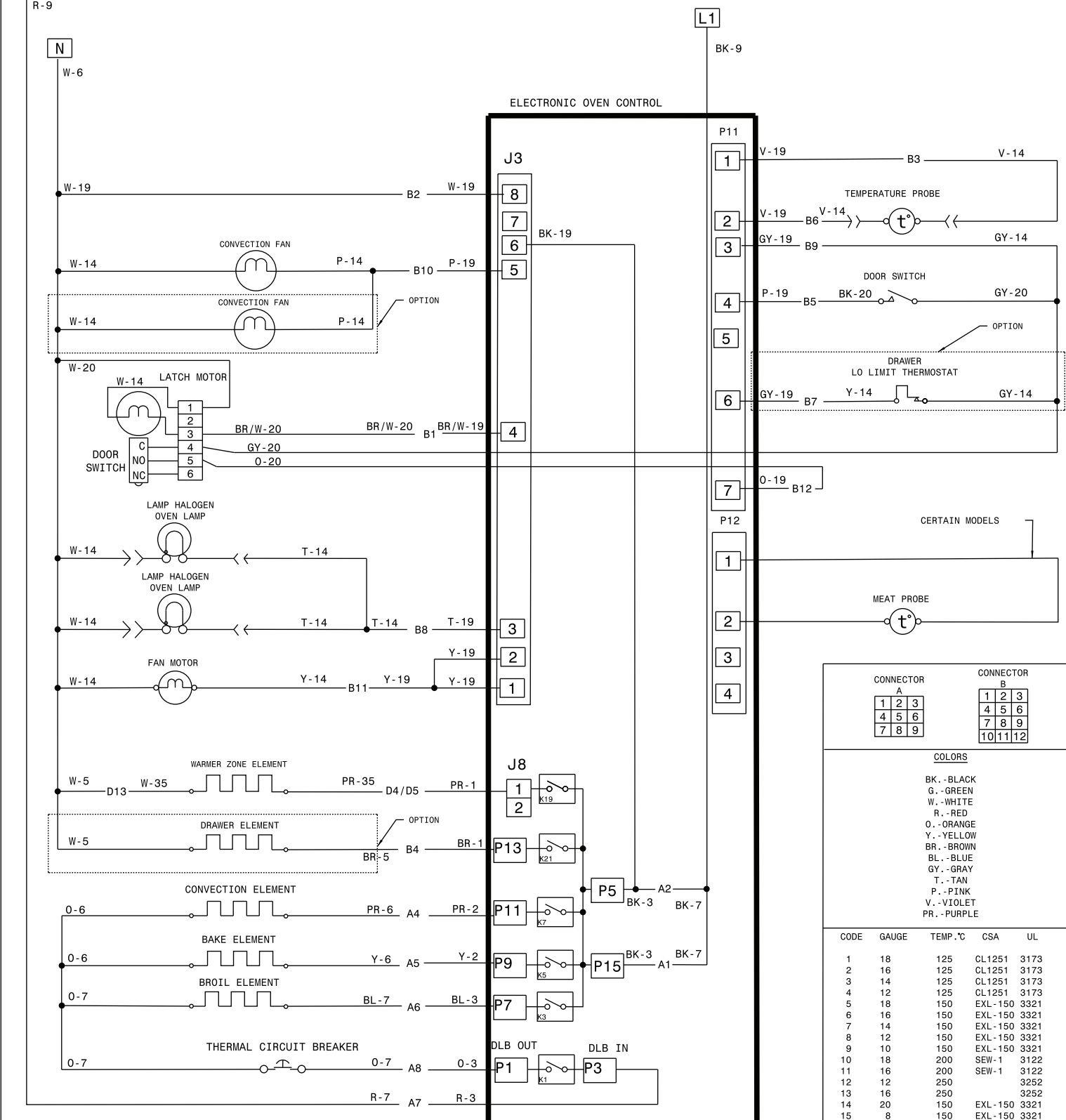
BK. - BLACK
 G. - GREEN
 W. - WHITE
 R. - RED
 O. - ORANGE
 Y. - YELLOW
 BR. - BROWN
 BL. - BLUE
 GY. - GRAY
 T. - TAN



| CODE | GAUGE | TEMP. °C | CSA | UL |
|------|-------|----------|---------|-------|
| 1 | 18 | 125 | CL1251 | 3173 |
| 2 | 16 | 125 | CL1251 | 3173 |
| 3 | 14 | 125 | CL1251 | 3173 |
| 4 | 12 | 125 | CL1251 | 3173 |
| 5 | 18 | 150 | EXL-150 | 3321 |
| 6 | 16 | 150 | EXL-150 | 3321 |
| 7 | 14 | 150 | EXL-150 | 3321 |
| 8 | 12 | 150 | EXL-150 | 3321 |
| 9 | 10 | 150 | EXL-150 | 3321 |
| 10 | 18 | 200 | SEW-1 | 3122 |
| 11 | 16 | 200 | SEW-1 | 3122 |
| 12 | 12 | 250 | | 3252 |
| 13 | 16 | 250 | | 3252 |
| 14 | 20 | 150 | EXL-150 | 3321 |
| 15 | 8 | 150 | EXL-150 | 3321 |
| 16 | 8 | 60 | | |
| 17 | 10 | 60 | | |
| 18 | 10 | 200 | SEW-1 | 3122 |
| 19 | 20 | 125 | CL1251 | 3173 |
| 20 | 20 | 200 | SEW-1 | 3122 |
| 21 | 22 | 125 | | 3266 |
| 22 | 22 | 150 | | 10109 |
| 23 | 18 | 200 | | 3573 |
| 34 | 16 | 200 | | 3512 |
| 35 | 18 | 200 | | 3512 |
| 37 | 14 | 200 | | 3512 |
| 41 | 20 | 200 | | 3512 |

CAUTION: DISCONNECT POWER BEFORE SERVICING UNIT. LABEL ALL WIRES PRIOR TO DISCONNECTION WHEN SERVICING CONTROLS. WIRINGS ERRORS CAN CAUSE IMPROPER AND DANGEROUS OPERATION. VERIFY PROPER OPERATION AFTER SERVICING.

OVEN CIRCUIT



CONNECTOR A

| | | |
|---|---|---|
| 1 | 2 | 3 |
| 4 | 5 | 6 |
| 7 | 8 | 9 |

CONNECTOR B

| | | |
|----|----|----|
| 1 | 2 | 3 |
| 4 | 5 | 6 |
| 7 | 8 | 9 |
| 10 | 11 | 12 |

COLORS

BK. - BLACK
 G. - GREEN
 W. - WHITE
 R. - RED
 O. - ORANGE
 Y. - YELLOW
 BR. - BROWN
 BL. - BLUE
 GY. - GRAY
 T. - TAN
 P. - PINK
 V. - VIOLET
 PR. - PURPLE

| CODE | GAUGE | TEMP. °C | CSA | UL |
|------|-------|----------|---------|-------|
| 1 | 18 | 125 | CL1251 | 3173 |
| 2 | 16 | 125 | CL1251 | 3173 |
| 3 | 14 | 125 | CL1251 | 3173 |
| 4 | 12 | 125 | CL1251 | 3173 |
| 5 | 18 | 150 | EXL-150 | 3321 |
| 6 | 16 | 150 | EXL-150 | 3321 |
| 7 | 14 | 150 | EXL-150 | 3321 |
| 8 | 12 | 150 | EXL-150 | 3321 |
| 9 | 10 | 150 | EXL-150 | 3321 |
| 10 | 18 | 200 | SEW-1 | 3122 |
| 11 | 16 | 200 | SEW-1 | 3122 |
| 12 | 12 | 250 | | 3252 |
| 13 | 16 | 250 | | 3252 |
| 14 | 20 | 150 | EXL-150 | 3321 |
| 15 | 8 | 150 | EXL-150 | 3321 |
| 16 | 8 | 60 | | |
| 17 | 10 | 60 | | |
| 18 | 10 | 200 | SEW-1 | 3122 |
| 19 | 20 | 125 | CL1251 | 3173 |
| 20 | 20 | 200 | SEW-1 | 3122 |
| 21 | 22 | 125 | | 3266 |
| 22 | 22 | 150 | | 10109 |
| 23 | 18 | 200 | | 3573 |
| 34 | 16 | 200 | | 3512 |
| 35 | 18 | 200 | | 3512 |
| 37 | 14 | 200 | | 3512 |
| 41 | 20 | 200 | | 3512 |

CAUTION: DISCONNECT POWER BEFORE SERVICING UNIT. LABEL ALL WIRES PRIOR TO DISCONNECTION WHEN SERVICING CONTROLS. WIRINGS ERRORS CAN CAUSE IMPROPER AND DANGEROUS OPERATION. VERIFY PROPER OPERATION AFTER SERVICING.