



# ***OWNER'S GUIDE*** ***REFRIGERATOR***

Read and save  
these instructions



# White-Westinghouse



**Side by Side**  
**Ice and Water**

P/N 218954301 (0009)

---

## Product Registration

The information contained within this **Owner's Guide** will instruct you on how to properly operate and care for your product. Please read through the information contained in your literature pack to learn more about your new appliance.

### Record Your Model and Serial Numbers

Record the Model Number and Serial Number of this refrigerator in the space provided below. These numbers are found on the serial plate located on the ceiling of the refrigerator compartment.

**Model Number:** \_\_\_\_\_

**Serial Number:** \_\_\_\_\_

### Register Your Product

The self-addressed PRODUCT REGISTRATION CARD should be filled in completely, signed and returned to the Frigidaire Company, or, in Canada, Frigidaire Canada.

---

## Contents

This Owner's Guide provides specific operating instructions for your model. Use the refrigerator only as instructed in this Owner's Guide.

<b>2</b>	<b>Product Registration</b>
<b>3</b>	<b>Important Safety Instructions</b>
3	For Your Safety
3	Child Safety
3	Electrical Information
3	Other Precautions
<b>4-5</b>	<b>First Steps</b>
4	Location
4	Installation
4	Door Opening
4	Leveling
4	Cleaning
5	Connecting Ice Maker to Water Supply
<b>6</b>	<b>Energy Saving Ideas</b>
<b>6</b>	<b>Setting the Controls</b>
6	Cool Down Period
6	Refrigerator Control
6	Freezer Control
<b>7</b>	<b>Fresh Food Storage</b>
<b>8-10</b>	<b>Automatic Ice and Water Dispenser</b>
8	Light
8	How the Water Dispenser Works
8	How the Ice Dispenser Works
9	Ice Dispenser Tips
9	Cleaning the Ice Dispenser
10-11	Ice & Water Filter (some models)
<b>12-13</b>	<b>Care and Cleaning</b>
12	Inside
12	Outside
12	Replacing the Light Bulb
13	Vacation and Moving Tips
<b>13-14</b>	<b>Removing the Handles and Doors</b>
13	To Remove Handles
14	To Remove Freezer Door
14	To Remove Refrigerator Door
14	To Reinstall Freezer Door
14	To Reinstall Refrigerator Door
<b>15-18</b>	<b>Avoid Service Checklist</b>
<b>18</b>	<b>Normal Operating Sounds</b>
<b>19</b>	<b>Warranty</b>

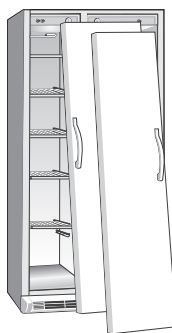
# Important Safety Instructions

## Proper Disposal of Your Refrigerator/Freezer

**⚠ WARNING** Risk of child entrapment. Child entrapment and suffocation are not problems of the past. Junked or abandoned refrigerators are still dangerous - even if they will sit for "just a few days." If you are getting rid of your old refrigerator, please follow instructions below to help prevent accidents.

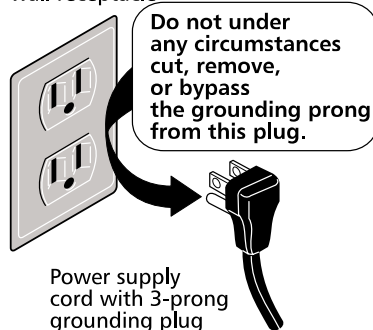
BEFORE YOU THROW AWAY YOUR OLD REFRIGERATOR OR FREEZER:

- Take off doors.
- Leave shelves in place, so children may not easily climb inside.



**⚠ WARNING** Avoid fire hazard or electric shock. Do not use an extension cord or an adapter plug. Do not remove any prong from the power cord.

Grounding type wall receptacle



## Read all instructions before using this refrigerator.

### **⚠ WARNING** For Your Safety

Do not store or use gasoline or other flammable vapors and liquids in the vicinity of this or any other appliance. Read product labels for flammability and other warnings.

### **⚠ WARNING** Child Safety

- Destroy carton, plastic bags, and any exterior wrapping material immediately after the refrigerator is unpacked. Children should never use these items for play. Cartons covered with rugs, bedspreads, plastic sheets or stretch wrap may become airtight chambers and can quickly cause suffocation.
- Remove all staples from the carton. Staples can cause severe cuts and destroy finishes if they come in contact with other appliances or furniture.
- An empty, discarded ice box, refrigerator or freezer is a very dangerous attraction to children. **Remove the door of any appliance that is not in use, even if it is being discarded.**

### **⚠ WARNING** Electrical Information

These guidelines must be followed to ensure that safety mechanisms in the design of this refrigerator will operate properly.

- **The refrigerator must be plugged into its own 115 Volt, 60 Hz, AC only electrical outlet.** The power cord of the appliance is equipped with a three-prong grounding plug for your protection against shock hazards. It must be plugged directly into a properly grounded three-prong receptacle. The receptacle must be installed in accordance with local codes and ordinances. Consult a qualified electrician.
- If voltage varies by 10 percent or more, performance of your refrigerator may be affected. Operating the refrigerator with insufficient power can damage the compressor. Such damage is not covered under your warranty. If you suspect your voltage is high or low, consult your power company for testing.
- To prevent the refrigerator from being turned off accidentally, do not plug the unit into an outlet controlled by a wall switch or pull cord. **Do Not Use An Extension Cord Or An Adapter Plug.**
- Do not pinch, knot, or bend the power cord in any manner.

### **⚠ WARNING** Other Precautions

- Never unplug the refrigerator by pulling on the power cord. Always grip the plug firmly and pull straight out from the receptacle.
- To avoid electrical shock, unplug the refrigerator before cleaning and before replacing a light bulb. **NOTE:** Turning the control to OFF turns off the compressor, but does not disconnect power to the light bulb or other electrical components.
- Do not operate the refrigerator in the presence of explosive fumes.
- If the refrigerator has an automatic ice maker, avoid contact with any moving parts.

## First Steps

Before starting the refrigerator, follow these important first steps:

### Location

- Choose a place that is near a grounded electrical outlet. **DO NOT** use an extension cord or an adapter plug.
- If possible, place the refrigerator out of direct sunlight and away from the range, dishwasher or other heat sources.
- The refrigerator must be installed on a floor that is level and strong enough to support a fully loaded refrigerator.
- Consider water supply availability for the automatic ice maker.

### Installation

- Do not install the refrigerator where the temperature will drop below 60°F (15°C) or rise above 110°F (43°C). The compressor will not be able to maintain proper temperatures.
- In a recessed installation, allow an extra 1/2 inch (10-15 mm) on each side for ease of installation.
- If the hinge side of the unit will be placed against a wall, allow a 1 3/4 inch (44 mm) space between the wall and the refrigerator to permit proper door swing.

### Door Opening

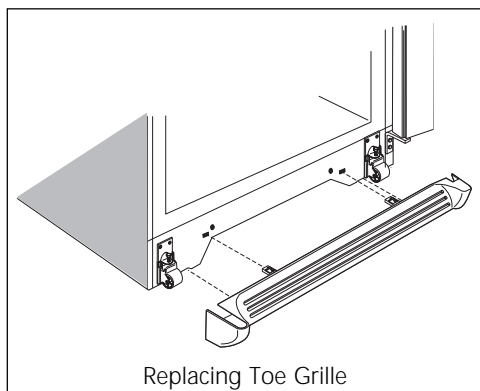
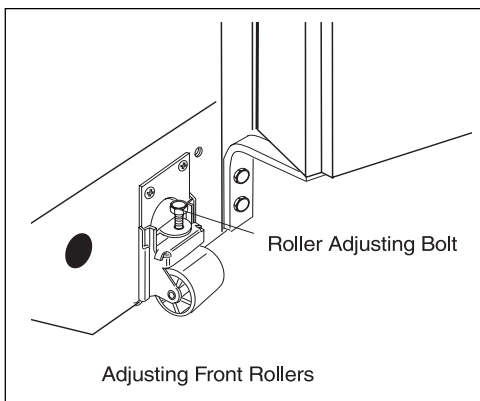
For best use of the drawers and freezer basket, the refrigerator should be in a position where both the refrigerator and freezer doors can be opened about 135°.

### Leveling

- The refrigerator must be leveled with all bottom corners resting firmly on a solid floor. Adjust front rollers to level cabinet both front-to-rear and side-to-side. Keep the cabinet as low as possible for stability. **Never adjust cabinet rollers so the front is lower than the rear.**
- **To adjust the front rollers:** Open the refrigerator and freezer doors. Remove the toe grille by pulling it straight out. Adjust the rollers by turning each roller adjusting bolt with an adjustable wrench, a socket wrench or a nutdriver until the refrigerator is level and stable. The rear rollers are not adjustable.
- Check both doors to be sure seals touch cabinet evenly on all four sides.
- If the freezer door is higher than the refrigerator door, raise the right corner and/or lower the left corner until the doors align across the top of the cabinet.
- If the refrigerator door is higher than the freezer door, raise the left corner and/or lower the right corner until the doors align across the top of the cabinet.
- **To replace the toe grille:** Line up clips with holes and push grille straight on.

### Cleaning

- Wash the inside, all removable parts and the outside with mild detergent and warm water. Wipe dry. **Do Not Use Harsh Cleaners On These Surfaces.**
- Do not use razor blades or other sharp instruments which can scratch the appliance surface, when removing adhesive labels. Any glue left from the tape or energy label can be removed with a mixture of warm water and mild detergent, or, touch the residue with the sticky side of tape already removed.
- **Do Not Remove The Serial Plate.**



## First Steps (continued)

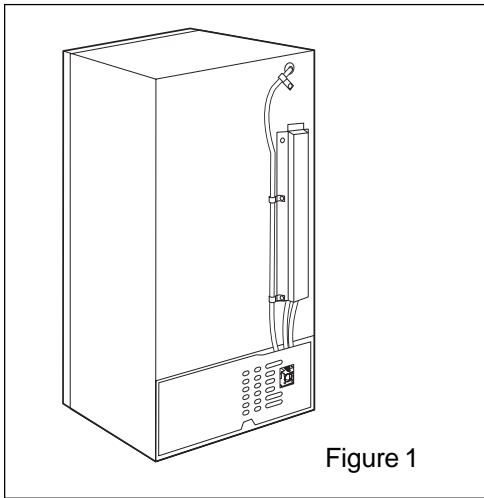


Figure 1

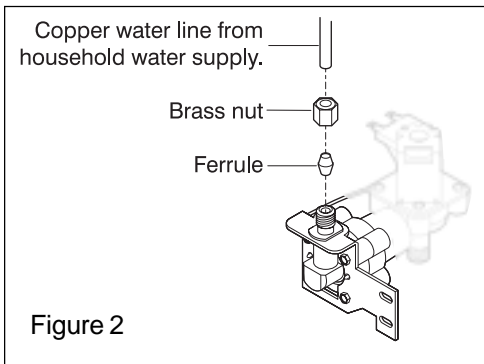


Figure 2

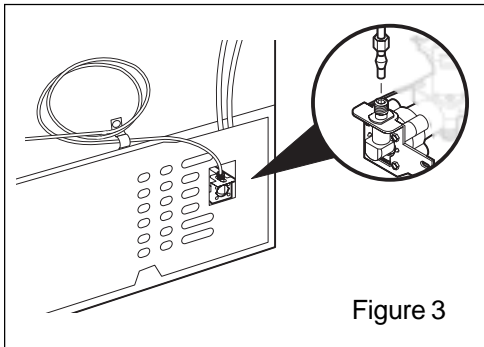


Figure 3

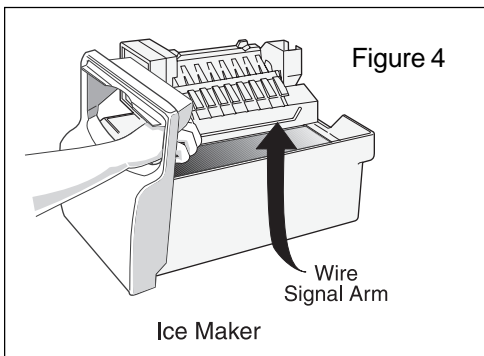


Figure 4

## Connecting Ice Maker to Water Supply

**⚠ CAUTION** Do Not Install Ice Maker Tubing Where Temperature May Fall Below Freezing.

Check to be sure your water connection will comply with local plumbing codes.

Water quality determines your ice quality. It is best to connect the ice maker to water that is not softened. Chemicals from a malfunctioning softener can damage the ice maker. If the ice maker is connected to soft water, ensure that the softener is maintained and working properly.

The ice maker requires a 1/4 inch (6.4 mm) copper water supply line (with shutoff) from your household water system. Allow enough tubing behind your refrigerator to permit moving out to clean floor.

A water line kit is available through your dealer at extra charge. This kit includes 1/4 inch diameter copper tubing, plus parts to connect to your cold water line. You will need to purchase a 1/4 inch brass compression nut and ferrule from your local hardware or plumbing store.

1. Turn ON water supply and flush out copper tubing. Turn off water supply.

2. Unplug refrigerator.

3. Install WATER SUPPLY LINE as follows (figure 2):

- Slide brass nut, then ferrule, onto copper tubing.
- Push end of copper tubing as far into the metal water valve fitting as it will go (1/4 inch). Slide ferrule into fitting and thread brass nut onto inlet, tighten finger tight plus 1/2 turn with wrench.

**NOTE:** Some models may have a cap on the valve. Unscrew the cap and discard.

4. Secure copper tubing with STEEL CLAMP and screw to rear panel at location shown (Figure 3).

5. Coil water supply tubing as shown (figure 3).

**NOTE:** To prevent vibration noise and wear, leave a space between all tubing and other surfaces.

6. Turn on water supply and check all connections for leaks (figure 3).

7. Plug refrigerator cord into wall outlet.

8. To begin ice production, lower the Wire Signal Arm to the "down" or "ON" position (Figure 4).

### IMPORTANT

Ice production will begin when freezer reaches normal operating temperature. Air in new plumbing lines may cause ice maker to cycle two or three times before making a full tray of ice.

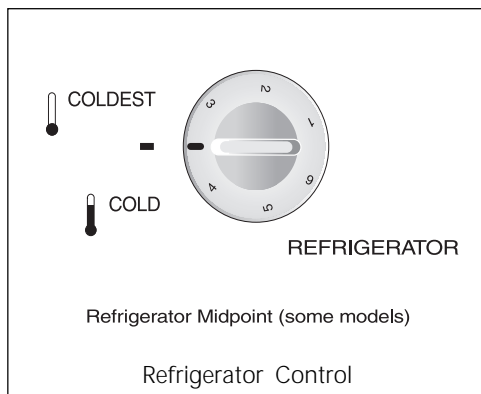
New plumbing may cause ice to be discolored or have poor flavor. Discard ice made during the first 24 hours. After installation, if you wish to shut the ice maker off, lift the Wire Signal Arm until it clicks and locks in the "UP" position.

## Energy Saving Ideas



- Locate the refrigerator in the coolest part of the room, out of direct sunlight and away from heating ducts or registers. Do not place the refrigerator next to heat-producing appliances such as a range, oven or dishwasher. If this is not possible, a section of cabinetry or an added layer of insulation between the two appliances will help the refrigerator operate more efficiently.
- Level the refrigerator so the doors close tightly.
- Refer to this Owner's Guide for the suggested refrigerator settings.
- Periodic cleaning of the condenser will help the refrigerator run more efficiently. See Outside in the "Care and Cleaning" section.
- Do not overcrowd the refrigerator or block cold air vents. Doing so causes the refrigerator to run longer and use more energy. Shelves should not be lined with aluminum foil, wax paper or paper toweling. Liners interfere with cold air circulation, making the refrigerator less efficient, which could cause food spoilage.
- Cover foods and wipe containers dry before placing them in the refrigerator. This cuts down on moisture build-up inside the unit.
- Organize the refrigerator to reduce door openings. Remove as many items as needed at one time and close the door as soon as possible.

## Setting the Controls



### Cool Down Period

To ensure safe food storage, allow the refrigerator to operate with the doors closed for at least 8 to 12 hours before loading with food.

### Refrigerator Control

- The refrigerator control should be set at the midpoint of the dial for a trial period of 24 hours.
- After 24 hours, adjust the control as needed. For colder temperatures, turn the dial a notch toward **COLDEST**. For warmer temperatures, turn the dial a notch toward **COLD**. Adjust temperatures by one increment at a time.

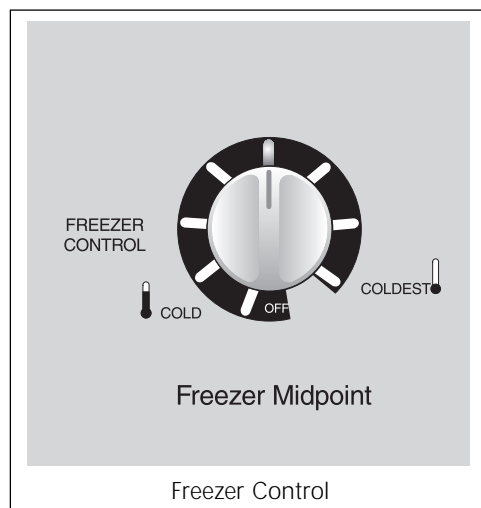
### Freezer Control

- The freezer control should be set at the midpoint of the dial for a trial period of 24 hours.
- After 24 hours, adjust the control as needed. For colder temperatures, turn the dial a notch toward **COLDEST**. For warmer temperatures, turn the dial a notch toward **COLD**. Adjust temperatures by one increment at a time.

**NOTE:** When first setting the controls or when changing a setting, wait 24 hours for the temperature to stabilize before making additional changes.

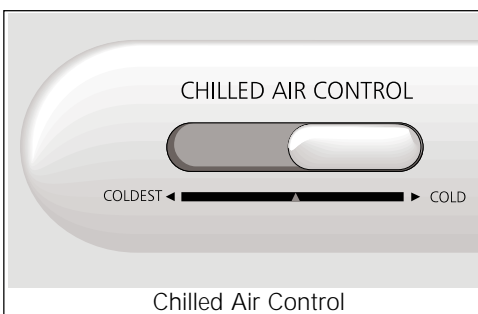
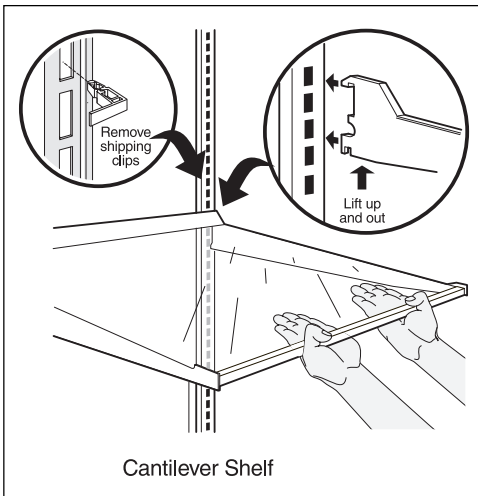
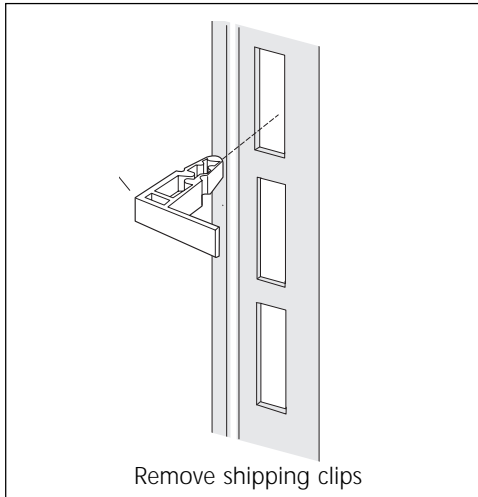
Turning the freezer control may change temperatures in both compartments. For example, if the freezer control is turned to a colder setting, the refrigerator control may have to be adjusted to a warmer one. Turning the refrigerator control will change only the refrigerator temperature.

**IMPORTANT: If the freezer control is turned to OFF, cooling stops in both compartments.**



You may hear the "Frost Free" system working. A fan circulates air in the refrigerator and freezer compartments. For good circulation and maintenance of proper cooling temperatures, do not block cold air vents with food items. Water draining into the defrost water pan and hissing sounds are normal during the automatic "Frost Free" cycle.

## Fresh Food Storage



## Shelf Adjustment

Refrigerator shelves are easily adjusted to suit individual needs. Before adjusting shelves, remove all food. The shipping clips which stabilize the shelves for shipping may be removed and discarded.

*To adjust the cantilever shelves* (shelves supported at the rear of the refrigerator), lift the back of the shelf up and out. Replace shelf by inserting hooks at rear into slots. Lower and lock into position.

## Door Storage

Door bins and shelves are provided for convenient storage of jars, bottles and cans. Items used often are available for quick selection.

The door bins can be moved to suit individual needs. Remove bins by lifting straight up. Place bins in the desired position and lower over the supports.

The Dairy compartment is warmer than the general food storage section and is intended for short term storage of cheese, spreads, or butter.

## Crisper

The Crisper drawer, located under the bottom refrigerator shelf, is for storing fruits and vegetables. Most produce should be washed in clear water and drained before placing in this drawer. Items with strong odors or high moisture should be wrapped before storing.

## Meat Keeper

The Meat Keeper is located at the bottom of the refrigerator. The temperature in this compartment can be made colder than the rest of the refrigerator compartment by sliding the Chilled Air Control knob within the **COLDEST** or **COLD** range. Meat will be partially frozen and may be kept fresh longer than if stored on a refrigerator shelf.

Before placing items in the Meat Keeper, follow these steps to keep the meat fresh:

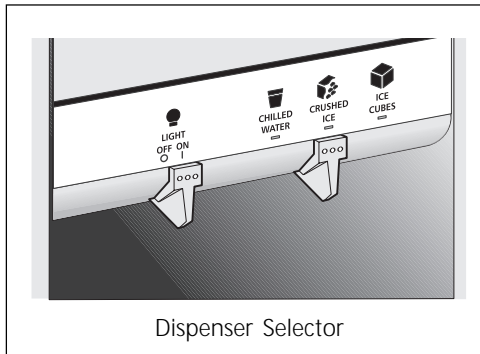
1. Carefully handle meat with clean hands and always keep the compartment clean.
2. Store meat in its original wrapper. If necessary, overwrap in plastic wrap or foil to prevent drying. Wrap fish tightly to prevent odor transfer to other foods.
3. If spoilage ever occurs, disinfect the compartment with liquid chlorine bleach following label directions. Then rinse with a solution of baking soda and water. Rinse with clear water and dry.

## Freezer Basket (some models)

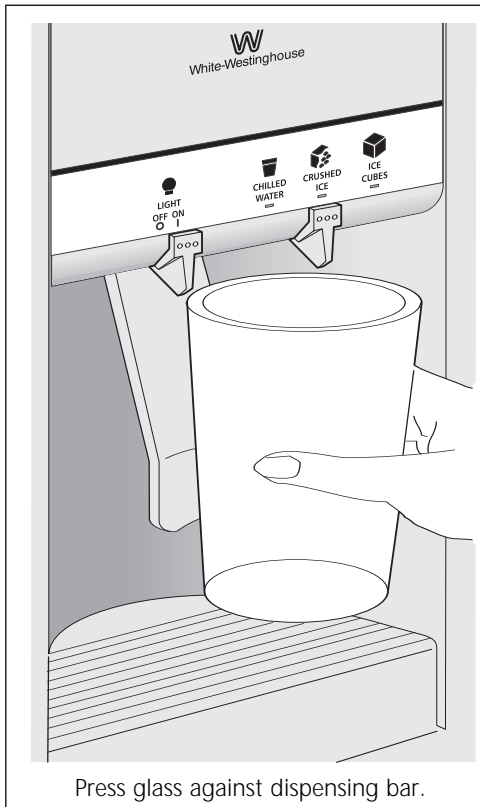
Some models are equipped with a slide-out wire basket below the bottom freezer shelf. This basket provides easy access to frozen food packages.



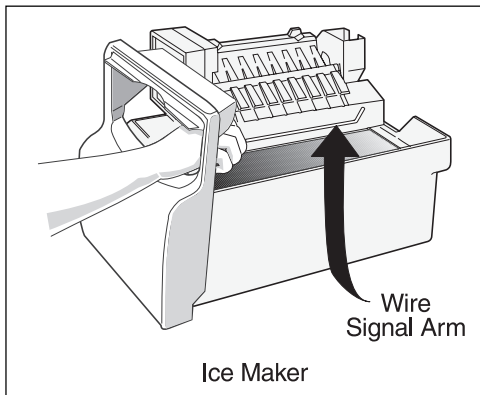
# Automatic Ice and Water Dispenser



Dispenser Selector



Press glass against dispensing bar.



Ice Maker

The ice and water dispenser on the freezer door conveniently dispenses chilled water, and ice cubes (some models). To operate the dispenser, slide the knob to the selection of your choice and press a glass against the dispensing bar, as shown. Be sure to hold the glass as far up as possible to catch all cubes. To stop dispensing, pull glass away from dispensing bar. When dispensing ice, release the dispensing bar before the glass is full, but do not remove the glass until the ice has completely dispensed. When dispensing ice, release the dispensing arm before the glass is full, but do not remove the glass until the ice has completely dispensed.

A small heated area beneath the dispenser floor catches and evaporates small spills. **Do not pour water or excess cubes into this area** because there is no drain.

## Light

The dispenser has a light which can be turned on and off by sliding the knob to the desired position. The light also turns on automatically when ice and/or water is dispensed. Replace light bulb with an appliance bulb of the same wattage.

## How the Water Dispenser Works

The water tank is located behind the drawers in the refrigerator compartment and holds about 48 ounces (1.5 liters) of water. As the water is dispensed, the tank is automatically refilled. For proper operation of the dispenser, the supply water pressure must fall between 30 psi and 120 psi.

After the refrigerator is installed and the plumbing connections are complete, the water tank should be filled by drawing one glass of water. This will take about 1½ minutes. Then, draw and discard 7 more glasses to be sure that the tank and plumbing connections are rinsed of any impurities.

**To ensure fresh-tasting water**, plan to use the dispenser every day. If the water dispenser has not been used for a week or more, draw and discard 7-8 glasses to freshen the tank supply.

## How the Ice Dispenser Works

The ice maker and ice storage bin are located in the top left corner of the freezer compartment. After the refrigerator is installed properly and has cooled for several hours, the ice maker can begin making ice. To begin ice production, lower the wire signal arm to the "down" or ON position. As cubes are made, they are stored in the storage bin. Although it may take 1 or 2 days to fill the bin, the dispenser may be used after the first batch of ice is made. The ice maker turns off automatically when the ice storage bin is full.

Because of new plumbing connections, the first production of ice cubes may be discolored or have an odd flavor. These should be discarded until the cubes made are free of discoloration and taste. **CAUTION** Remember that water quality determines your ice quality. It is best to connect the ice maker to water that is not softened. Chemicals from a malfunctioning softener can damage the ice maker. If the ice maker is connected to soft water, ensure the softener is maintained and working properly.

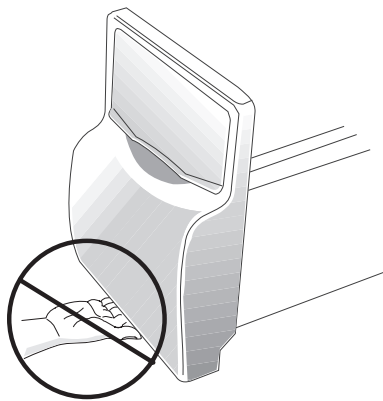
To stop the ice maker, lift the wire signal arm until it clicks and locks in the "up" or OFF position.



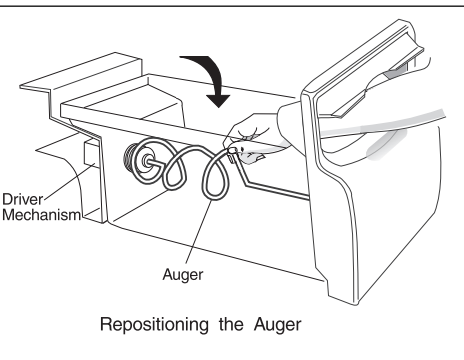
# Automatic Ice and Water Dispenser

(continued)

**⚠ WARNING** Do not use the ice chute as a handle when removing or replacing the ice storage bin. Surfaces there may be sharp.



DO NOT PUT FINGERS UP ICE CHUTE. SURFACES THERE MAY BE SHARP.



## Ice Dispenser Tips

1. Ice cubes stored too long may develop an odd flavor. Empty the container and return it to the proper position. The ice maker will then produce more ice.
2. Occasionally shake the container to keep ice separated.
3. If the dispensing bar is pushed in for more than 4 minutes, the dispenser motor may overload and stop. The overload protector will reset automatically after 3 or 4 minutes. If a large quantity of ice is needed at one time, it is best to remove cubes directly from the ice storage bin.
4. Certain sounds are normal when the ice maker is operating. They are:
  - Motor operation
  - Ice being loosened from the tray
  - Ice dropping into the storage bin
  - Running water
  - Water valve opening or closingFor more information on these operations, see "Normal Operating Sounds."
5. Stop the ice maker when cleaning the freezer or for long vacations.
6. If the ice maker is to be turned off for a long period of time, turn the water supply valve to the closed position.

## Cleaning the Ice Dispenser

Clean the dispenser and ice storage bin at regular intervals, particularly before you take a vacation or move, or if the ice dispenser sticks.

1. Stop ice production by lifting the wire signal arm to the "up" or OFF position.
2. Remove ice storage bin by lifting up and out. Empty and carefully clean the bin with **mild** detergent. Do not submerge the bin while cleaning. Rinse with clear water. Do not use harsh or abrasive cleaners. Allow ice bin to dry completely before replacing in the freezer.
3. Remove ice chips and clean the shelf and chute that supports the ice storage bin.
4. Replace the ice storage bin. Lower the wire signal arm on the ice maker to the "down" or ON position and the ice maker will resume production.

**IMPORTANT:** When removing or replacing the ice bin, do not rotate the auger in the ice bin. If the auger is accidentally turned, you must realign the auger by turning it in 90° turns until the ice bin fits into place with the drive mechanism. For further instruction, see the label on the ice bucket.

## Remove and empty the ice storage bin if:

1. An extended power failure (one hour or longer) causes ice cubes in the ice storage bin to melt and freeze together and jam the dispenser mechanism.
2. The ice dispenser is not used frequently. Ice cubes will freeze together in the bin and jam the dispenser mechanism. Remove the ice storage bin and shake to loosen the cubes.

**NEVER** use an ice pick or similar sharp instrument to break up the ice. This could damage the ice storage bin and dispenser mechanism.

# Automatic Ice and Water Dispenser (continued)

Order new filter cartridges through the dealer where you bought the refrigerator. It might be good to order some filters when you first install your refrigerator. Be sure to ask for the RC-200 replacement cartridge.

## Ice and Water Filter (some models)

**NOTE: If you purchased a refrigerator with a Ice and Water filter, please read the following use and care information.**

This ice and water filter system filters water to your ice maker and water dispenser. It is located in the upper right back corner of the fresh food compartment (see Figure1).

### System Startup:

Water supply does not need to be turned off, however do not use ice and water dispenser while installing filter. Refer to Figure 1 as you complete these instructions.

The filter cartridge has already been installed in the filter housing at the factory. Refer to the *How the Dispenser Works* section to properly fill the system with water.

### Changing the Filter:

Water quality varies throughout the world. To ensure the highest possible water quality, change water filter every 6 months, or 200 gallons. Also, if filter has been in a refrigerator that has not been in use for awhile (during moving for example), change filter before reinstalling refrigerator. Note dispenser system will also operate without filtration (with filter cartridge removed).

#### To change filter:

Refer to Figure 1 as needed. It is not necessary to turn the water supply off to change the filter.

1. Set ice maker lever (wire signal arm) to the OFF (up) position.
2. Hold filter cup firmly, and unscrew counter clockwise (Figure 1). (Some water could leak out as you remove cup. This is normal.) Filter cartridge should come down with cup. If cartridge remains in housing, pull down gently, while twisting filter back and forth.
3. Empty cup of any substance.
4. The large o-ring (Figure 1) that seals the filter system sets in the o-ring groove down inside the cup. Should the o-ring fall out during filter cartridge replacement, simply place it back in the groove prior to screwing the cup back in place. If the o-ring becomes damaged, you will need to order a new one from the Consumer Assistance Center.
5. Discard old filter cartridge.
6. Remove new filter cartridge from packaging, and install.
7. Place filter cartridge in cup. The end with the small o-ring should be up, out of the cup.
8. Screw cup, with filter, back onto housing. Filter cartridge will self-align as cup is tightened. Be sure cup is completely tightened. **Do Not Tighten Past Stop.**
9. Set ice maker level on the ON (down) position.

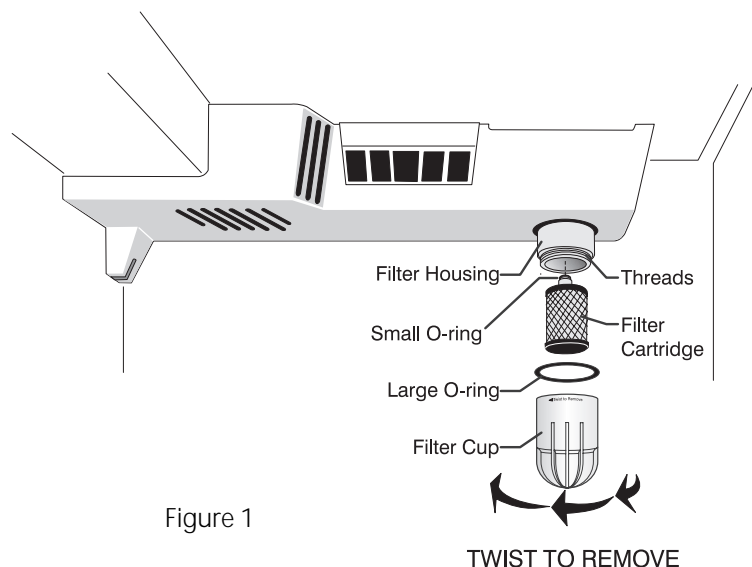


Figure 1

# Automatic Ice and Water Dispenser (continued)

## WHITE WESTINGHOUSE ICE AND WATER FILTER SYSTEM SYSTEM SPECIFICATION AND DATA SHEET

### APPLICATION GUIDELINES / CONDITIONS OF USE

WATER SUPPLY: Municipal or Well applications

WATER TEMPERATURE: Maximum 100° F. (38° C.) For cold water use only

WATER PRESSURE: 125 psi maximum Recommended Minimum: 30 psi, as measured at the valve inlet

- Timely cartridge replacement is essential for the product to perform as advertised. Please refer to the Use and Care Manual for general operation and maintenance requirements. Your refrigerator will have one of two types of filter replacement reminders. One is a simple slide knob on the rear control box that you set to six months after installing a new filter. The other is an electronic light on the freezer door dispenser that lights up yellow when the filter is almost ready for replacement and lights up red when the filter must be replaced. The indicator is pressed for approximately 10 seconds to reset after replacing the filter.
- Ice & Water Filter System RF-200 should not be used on water that is microbiologically unsafe or with water of unknown quality without adequate disinfection before or after the system. System may be used on disinfected waters that may contain filterable cysts.
- Performance may vary based on local water conditions and/or pressure. High sediment areas may require more frequent filter replacement.
- Ice & Water Filter System will absorb bad tastes and odors in both ice cubes and drinking water.

### SYSTEM SPECIFICATIONS

FLOW RATE: Ice Maker - 3.4 to 4.3 oz (99 - 125 cc) per 7.5 seconds at 60 psi (as measured at valve inlet)  
Dispenser - 60 oz per minute (.37 gpm or 1.4 liters per minute) at 60 psi (as measured at valve inlet)

CAPACITY: 200 Gallons

SYSTEM CONSTRUCTION: Filter Housing Assembly - ABS Plastic  
Water Storage Tank - Polypropylene Plastic  
Tubing - Polypropylene / Polypropylene Plastic  
Filter Media - Extruded Carbon block with Polypropylene prefiltration shells

### REPLACEMENT CARTRIDGE INFORMATION

Replacement RC-200 Cartridges are available through your local dealer.

General testwater parameters; pH = 7.5 +/- 0.5 Temp. 20°C +/- 3°C (68°F +/- 5°F) Pressure = 60 psi

Substance Reduction	Particle Size Range (microns)	Average Influent	Maximum Effluent	Average Effluent	Average % Reduction	EPA M.C.L.	Minimum % Reduction
Chlorine	N/A	1.9 mg/l	0.11 mg/l	0.04 mg/l	97.80%	N/A	94.80%
Lead-6.5PH	N/A	0.15 mg/l	0.001 mg/l	0.001 mg/l	99.30%	15.0 ug/l	99.20%
Lead-8.5 PH	N/A	0.16 mg/l	0.003 mg/l	0.002 mg/l	98.75%	15.0 ug/l	97.90%
Atrazine	N/A	.0099 mg/l	.0006 mg/l	.0005 mg/l	94.90%	3.0 ug/l	92.60%
2,4 D	N/A	0.32 mg/l	0.04 mg/l	0.018 mg/l	94.20%	70 ug/l	85.20%
Cysts	3 to 4	122500 ppm	20 count/pm	10 count/pm	99.99%	N/A	99.98%
Particulates	.5 to 1	240000 ppm	880 ppm	410 ppm	99.80%	N/A	99.50%
Turbidity	23 - 28 NTU	26 NTU	0.09 NTU	0.07 NTU	99.70%	N/A	N/A

# Care and Cleaning

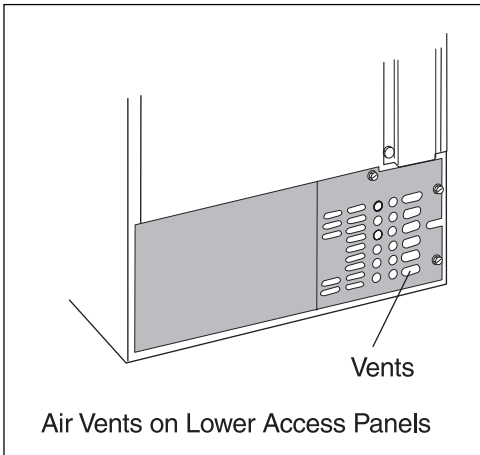
Keep your refrigerator and freezer clean to prevent odor build-up. Wipe up any spills immediately and clean both sections at least twice a year. **Never** use metallic scouring pads, brushes, abrasive cleaners or strong alkaline solutions on any surface. **Do not** wash any removable parts in a dishwasher.

**Always unplug the power cord from the wall outlet before cleaning.**

**NOTE:** Turning the control to OFF does not disconnect power to the controls, light bulb, or other electrical components.

**CAUTION** Damp objects stick to cold metal surfaces. Do not touch refrigerated surfaces with wet or damp hands.

**CAUTION** To avoid damage and help the refrigerator run as efficiently as possible, clean the condenser and air vents periodically.



## Inside

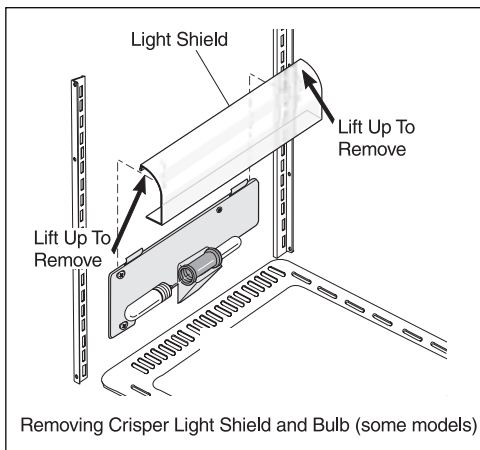
Wash inside surfaces of the refrigerator and freezer with a solution of 2 tablespoons baking soda in 1 quart warm water. Rinse and dry thoroughly. **Be sure to wring excess water out of sponge or cloth before cleaning around the controls, light bulb, or any electrical parts.**

Wash removable parts such as shelves and drawers with baking soda solution or mild detergent and warm water. **Do Not Use Harsh Cleaners On These Surfaces.** Rinse and dry thoroughly. Clean the door gaskets with mild suds, rinse with clear water and wipe dry. Do not use razor blades or other sharp instruments which can scratch the appliance surface when removing adhesive labels. Any glue left from the tape or energy label can be removed with a mixture of warm water and mild detergent, or, touch the residue with the sticky side of tape already removed. **Do Not Remove The Serial Plate.**

## Outside

Wash the cabinet and handles with warm water and mild liquid detergent. Rinse well and wipe dry with a clean soft cloth. Do not use commercial household cleaners, ammonia, or alcohol to clean handles.

Remove any dust or dirt from the front of the toe grille using a vacuum cleaner with its dusting tool attachment. Remove the toe grille by pulling it straight out. While the grille is removed, vacuum the backside of the grille and wipe with a sudsy cloth or sponge. Periodically clean the condenser (black tubes and wires beneath the refrigerator, behind the toe grille). Do not allow lint or dust to accumulate on the coils. Insert a long handled brush or vacuum attachment between the two coils to bring the lint forward. To replace the toe grille, line up clips with holes and push grille straight on. **CAUTION Use caution when cleaning in the area of the coils. Surfaces there may be sharp.**



The air vents on the lower access panel at the rear of the refrigerator should be cleaned periodically. Clean the vents by using a vacuum cleaner with its dusting tool attachment. When moving the refrigerator, pull straight out. **Do not** shift the refrigerator from side to side as this may tear or gouge the floor covering. Be careful not to move the refrigerator beyond plumbing connections.

## Replacing the Light Bulb

**To replace the light bulb in either compartment:**

1. Unplug the refrigerator.
2. Wear gloves as protection against possible broken glass.
3. Replace old bulb with an appliance bulb of the same wattage.
4. Remember to plug the refrigerator back in.

## Care and Cleaning

(continued)

### Vacation and Moving Tips

#### Short vacations:

- Leave the refrigerator operating during vacations of 3 weeks or less.
- Use up all perishable items from the refrigerator section.
- Wrap and store other items in the freezer.
- Turn off the automatic ice maker, even if you will be gone just a few days.

#### Long vacations:

- Remove all food and ice if you will be gone 1 month or more.
- Turn controls to OFF and disconnect power.
- Turn off automatic ice maker and turn water supply valve to the closed position.
- Clean interior thoroughly. Leave both doors open to prevent odor and mold build-up. Block open if necessary.

#### Moving:

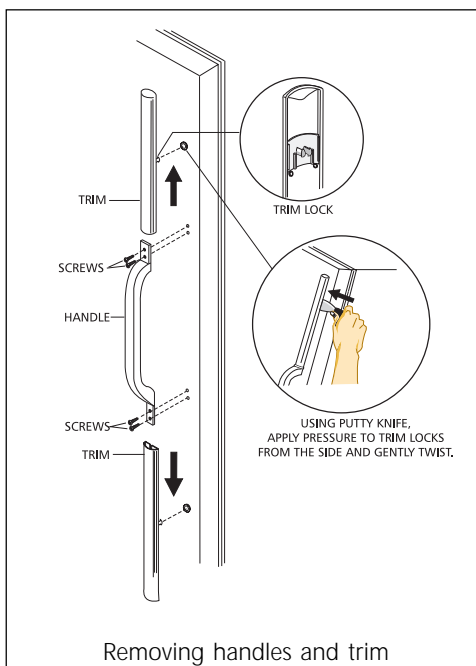
 When moving refrigerator, follow these guidelines to prevent damage:

- Remove all food and other items from both the refrigerator and freezer compartments.
- Empty ice storage bin.
- If a hand truck is used in moving, load refrigerator from the side.
- Turn rollers as far up as possible. This will protect them during sliding or moving.
- Cabinet should be well padded and handled with care. **DO NOT DROP.**

#### IMPORTANT

If the refrigerator is going to be stored or moved in freezing temperatures, the water in the ice and water system must be drained completely. Failure to do so could result in water leaks when the refrigerator is put back in service. Contact a service representative to perform this operation.

## Removing the Handles and Doors



*If it is necessary to move the refrigerator through narrow doorways, follow these steps to remove the handles and/or refrigerator and freezer doors.*

### To Remove Handles

#### Full-length Trim:

1. Using a putty knife, carefully slide the corner of the blade under the trim. Slide blade down until you find the trim lock. Carefully maneuver the blade against the trim lock **from the side** as shown. **NOTE: Pressing down on the trim lock from above will not release it.**
2. Carefully push the putty knife firmly against the trim lock and twist gently. The trim lock will snap free from the door. (Each trim piece will have two trim locks.)
3. Grasp trim and pull up away from handle using a slight side-to-side motion.
4. Remove screws attaching handle to door.
5. Repeat these steps for each handle end. Keep screws and trim pieces.
6. To replace handles, line up handle with screw holes, insert screws and tighten. Slide upper and lower trim pieces back on handle ends, and snap trim locks back into holes on door front.

### To Remove Doors

Before removing the doors, be sure the freezer control is turned to OFF. Remove all food from the doors and unplug the refrigerator. Remove the toe grill.

Trace around the hinges with a soft lead pencil. This will make it easier to realign the doors when they are replaced. Completely remove one door before starting removal of the other.

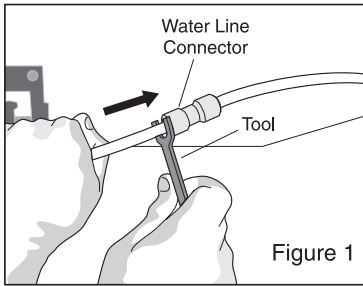


Figure 1

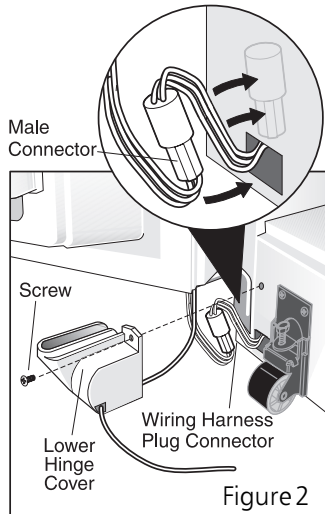


Figure 2

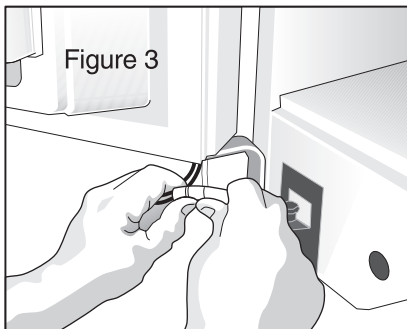


Figure 3

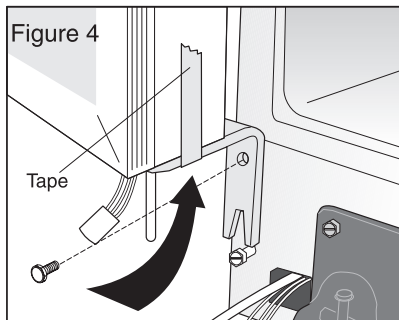


Figure 4

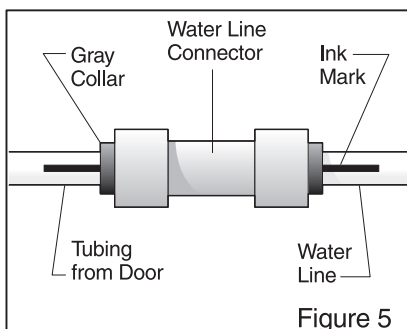


Figure 5

### To Remove Freezer Door:

1. Remove the toe grille (see "Outside" in *Care and Cleaning* Section).
2. To disconnect water line, grip tube firmly in left hand and use tool (located in bag under toe grille) to push in on gray collar to release water connector (Figure 1).
3. Remove screw to detach lower hinge cover (Figure 2).
4. To disconnect wiring harness plug connector, place your thumbs on the flat sides of each connector piece. Bend both parts back and forth. Then with a firm grasp, pull the two pieces apart as shown (Figure 3).
5. Place a strip of tape along door bottom, over lower hinge and up the side of the door. This will hold hinge in place when door is removed (Figure 4).
6. **Loosen, but DO NOT REMOVE, bottom lower hinge bolt.** Remove top lower hinge bolt (Figure 4).
7. Remove top hinge cover by lifting back of cover and sliding forward. Remove screws mounting hinge bracket to cabinet. Hold bracket when removing last screw; door closer mechanism places mild spring tension on hinge. **DO NOT** remove hinge bracket from door.
8. Carefully lift door up and off loosened lower hinge bolt (Figure 4).

### To Remove Refrigerator Door:

1. Remove top hinge cover by lifting back of cover and sliding forward. Remove screws mounting hinge bracket to cabinet. Hold bracket when removing last screw; door closer mechanism places mild spring tension on hinge. **DO NOT** remove hinge bracket from door.
2. **Loosen, but DO NOT REMOVE, bottom lower hinge bolt.** Remove top lower hinge bolt
3. Carefully lift door up and off loosened lower hinge bolt.

Store doors in a safe place until refrigerator is moved to desired location. Keep all hardware for reinstallation.

### To Reinstall Freezer Door:

1. Position door on unit and tighten screws.
2. Reconnect the wiring connector, making sure it is locked. Fold wires as shown and apply a twist tie (Figure 2). Insert tube through hole in cover. **Position cover over wires without pinching the wires.** Install the screw to attach cover.
3. **IMPORTANT:** To reinstall water line connector, push door tube firmly into connector until connector touches the black mark on the tube and stops (Figure 5). This step is critical to ensure that the water line does not leak.

### To Reinstall Refrigerator Door

To reinstall refrigerator door, reverse instructions used to remove door.

# Avoid Service Checklist

Before calling for service, review this list. It may save you time and expense. This list includes common occurrences that are not the result of defective workmanship or materials in this appliance.

## OCCURRENCE

## SOLUTION

### RUNNING OF REFRIGERATOR

**Refrigerator compressor does not run.**

Freezer control is off. Set freezer control. See **Setting the Controls**.

Refrigerator is in defrost cycle. This is normal for a fully automatic defrosting refrigerator. The defrost cycle occurs periodically, lasting about 20 minutes.

Plug at wall outlet is disconnected. Make sure plug is tightly pushed into outlet.

House fuse has blown or circuit breaker has tripped. Check and/or replace fuse with a 15 amp time-delay fuse. Reset circuit breaker.

Power outage. Check house lights. Call local electric company.

**Refrigerator runs too much or too long.**

Room or outside weather is hot. It is normal for the refrigerator to work longer under these conditions.

Refrigerator has recently been disconnected for a period of time. It takes about 8-12 hours for the refrigerator to cool down completely.

Automatic ice maker is operating. Ice maker operation causes refrigerator to run slightly more.

Doors are opened too frequently or too long. Warm air entering the refrigerator causes it to run more. Open doors less often.

Refrigerator or freezer door may be slightly open. Make sure refrigerator is level. Keep food and containers from blocking door. See Occurrence section **OPENING/CLOSING OF DOORS/DRAWERS**.

Refrigerator control (found in refrigerator section) is set too cold. Set refrigerator control to a warmer setting until refrigerator temperature is satisfactory. Allow 24 hours for the temperature to stabilize.

Refrigerator or freezer gasket is dirty, worn, cracked, or poorly fitted. Clean or change gasket. Leaks in door seal will cause refrigerator to run longer in order to maintain desired temperatures.

**Refrigerator compressor goes on and off frequently.**

Thermostat is keeping refrigerator at a constant temperature. This is normal. Refrigerator goes on and off to keep temperature constant.

### TEMPERATURES ARE TOO COLD

**Temperature in freezer is too cold and refrigerator temperature is satisfactory.**

Freezer control is set too cold. Set freezer control to a warmer setting until freezer temperature is satisfactory. Allow 24 hours for the temperature to stabilize. Then, if refrigerator temperature is not right, set refrigerator control to a colder setting.

**Temperature in refrigerator is too cold and freezer temperature is satisfactory.**

Refrigerator control is set too cold. Set refrigerator control to a warmer setting. Allow 24 hours for temperatures to stabilize.

**Food stored in drawers freezes.**

Refrigerator control is set too cold. See solution above.

**Food stored in Meat Keeper (some models) freezes.**

Meat should be stored at a temperature just below the freezing point of water (32°F, 0°C) for maximum fresh storage time. It is normal for ice crystals to form due to the moisture content of meat.

Chilled Air Control set too cold. Adjust Chilled Air Control to a lower setting.

### TEMPERATURES ARE TOO WARM

**Temperature in freezer or refrigerator is too warm.**

Doors are opened too frequently or too long. Warm air enters refrigerator whenever door is opened. Open door less often.

Door is open slightly. See Occurrence section **OPENING/CLOSING OF DOORS/DRAWERS**.

Condenser is dirty. Clean condenser. See "Outside" in **Care and Cleaning**.



## OCCURRENCE

## SOLUTION

### TEMPERATURES ARE TOO WARM

Temperature in freezer is too warm.	Freezer control is set too warm. Set freezer control to a colder setting until freezer temperature is satisfactory. Allow 24 hours for the temperature to stabilize. Then, if refrigerator temperature is not right, set refrigerator control to a warmer setting.
Temperature in the refrigerator is too warm and the freezer temperature is satisfactory.	Refrigerator control is set too warm. Set refrigerator control to a colder setting. Allow 24 hours for the temperature to stabilize.
Temperature in Meat Keeper (some models) is too warm.	Chilled Air Control is set too warm. Adjust Chilled Air Control to a colder setting.

### WATER/MOISTURE/FROST INSIDE REFRIGERATOR

Moisture collects on inside of refrigerator walls.	Weather is hot and humid, which increases rate of frost buildup and internal sweating. This is normal. Door is slightly open. See Occurrence section <b>OPENING/CLOSING OF DOORS/DRAWERS</b> . Door is opened too often or too long. Open door less often.
Water collects on bottom side of drawer cover.	Vegetables contain and give off moisture. It is not unusual to have moisture on the bottom side of the cover.
Water collects in bottom of drawer.	Washed vegetables and fruits drain while in the drawer. Dry items before putting them into drawer. Water collecting in bottom of drawer is normal.

### WATER/MOISTURE/FROST OUTSIDE REFRIGERATOR

Moisture forms on outside of refrigerator or between doors.	Weather is humid. This is normal in humid weather. When humidity is lower, the moisture should disappear. Door is slightly open, causing cold air from inside refrigerator to meet warm air from outside. See Occurrence section <b>OPENING/CLOSING OF DOORS/DRAWERS</b> .
---	---

### AUTOMATIC ICE MAKER (some models)

Ice maker is not making any ice.	Ice maker wire signal arm is in " up " or OFF position. Move wire signal arm to " down " or ON position. Household water line valve is not open. Turn on household water line valve. Freezer is not cold enough. See Occurrence section <b>TEMPERATURES ARE TOO WARM</b> . Saddle valve on cold water pipe is clogged or restricted by foreign material. Turn off household water line valve. Remove, clean or replace valve. Check to see if the water dispenser is dispensing water. If not, the water filter is clogged or restricted by foreign material, and must be replaced.
Ice maker is not making enough ice.	Ice maker is producing less ice than you expect. Ice maker should produce approximately 2 1/2 to 4 pounds of ice every 24 hours. Freezer is not cold enough. See Occurrence section <b>TEMPERATURES ARE TOO WARM</b> . Household water line valve is not completely open. Turn on household water line valve. Check to see if water dispenser is dispensing slower than normal. If it is, replace the filter cartridge.
Ice maker will not stop making ice.	Ice maker wire arm is being held down by some item in freezer. Move item, and release arm. Remove any ice cubes frozen together over arm.
Ice maker is not separating the cubes.	Ice cubes are not being used frequently enough. Remove and shake ice bucket to separate cubes. If cubes are smaller than normal, or hollow, the filter could be clogged. Replace filter.
Ice has bad odor and taste.	Ice has picked up odor or flavor from strong food stored in refrigerator or freezer. Cover foods tightly. Discard stale ice. Ice maker will produce fresh supply. Water running to ice maker has poor taste or odor. Add filter to ice maker. Consult a water purifying company.

## OCCURRENCE

## SOLUTION

### ICE DISPENSER

**Dispenser will not dispense ice.**

Ice storage bin is empty. When the first supply of ice is dropped into bin, dispenser should operate.

Freezer temperature is set too warm. Turn freezer control to a higher setting so that ice cubes will be made. When first supply of ice is made, dispenser should operate.

Household water line valve is not open. Open household water line valve, and allow sufficient time for ice to be made. When ice is made, dispenser should operate.

Freezer door is not closed. Be sure freezer door is closed.

Ice dispensing arm has been held in for more than 4-5 minutes. Motor is overloaded. Motor overload protector will reset in approximately 3 minutes. Ice can then be dispensed.

**Ice dispenser is jammed.**

Ice has melted and frozen around auger due to infrequent use, temperature fluctuations, and/or power outages. Remove ice storage bin, thaw, and empty the contents. Clean bin, wipe dry and replace in proper position. When new ice is made, dispenser should operate.

Ice cubes are jammed between ice maker arm and back of bin. Remove ice cubes that are jamming dispenser.

Ice cubes are frozen together. Use the dispenser often so that cubes do not freeze together.

If cubes are smaller than normal, or hollow, the filter could be clogged. Replace filter. Dispensing system operates best at 30-120 psi water pressure. Well water system pressures should fall within this range.

### WATER DISPENSER

**Dispenser will not dispense water.**

Household water line valve is not open. Open household water line valve. See Occurrence "Ice maker is not making any ice."

Freezer door is not closed. Be sure freezer door is closed.

Filter is clogged, and must be replaced.

**Water has an odd taste and/or odor.**

Water has been in the tank for a period of time. Draw and discard 7-8 glasses of water to freshen the supply. Draw and discard an additional 3-6 glasses to completely rinse out tank.

Unit not properly connected to cold water line. Connect unit to cold water line that supplies water to kitchen faucet.

Tubing used in the household water supply and installation of unit may affect water taste and odor. For best results, use copper tubing for water connection.

Water has a high mineral content. Contact water treatment plant for help.

**Water pressure is extremely low.**

Have someone turn up the cut-off and cut-on pressure on the water pump system.

### ODORS IN REFRIGERATOR

Interior needs to be cleaned. Clean interior with sponge, warm water, and baking soda.

### OPENING/CLOSING OF DOORS/DRAWERS

Food with strong odor is in refrigerator. Cover food tightly.

**Door(s) will not close.**

Door is not designed to swing shut automatically. Close door securely.

Door was closed too hard, causing other door to open slightly. Close both doors gently.

Refrigerator is not level. It rocks on the floor when it is moved slightly. Be sure floor is level and solid, and can adequately support refrigerator. Adjust rollers as needed.

Floor is uneven or weak. Refrigerator rocks on the floor when it is moved slightly. Be sure floor is level and can adequately support refrigerator. Contact carpenter to correct sagging or sloping floor.

Refrigerator is touching the wall or cabinets. Be sure floor is level, and can adequately support refrigerator. Contact carpenter to correct sagging or sloping floor.

**Drawers are difficult to move.**

Food is touching shelf on top of drawer. Keep less food in drawer.

Track that drawers slides on is dirty. Clean drawer, rollers, and track.

## OCCURRENCE

## SOLUTION

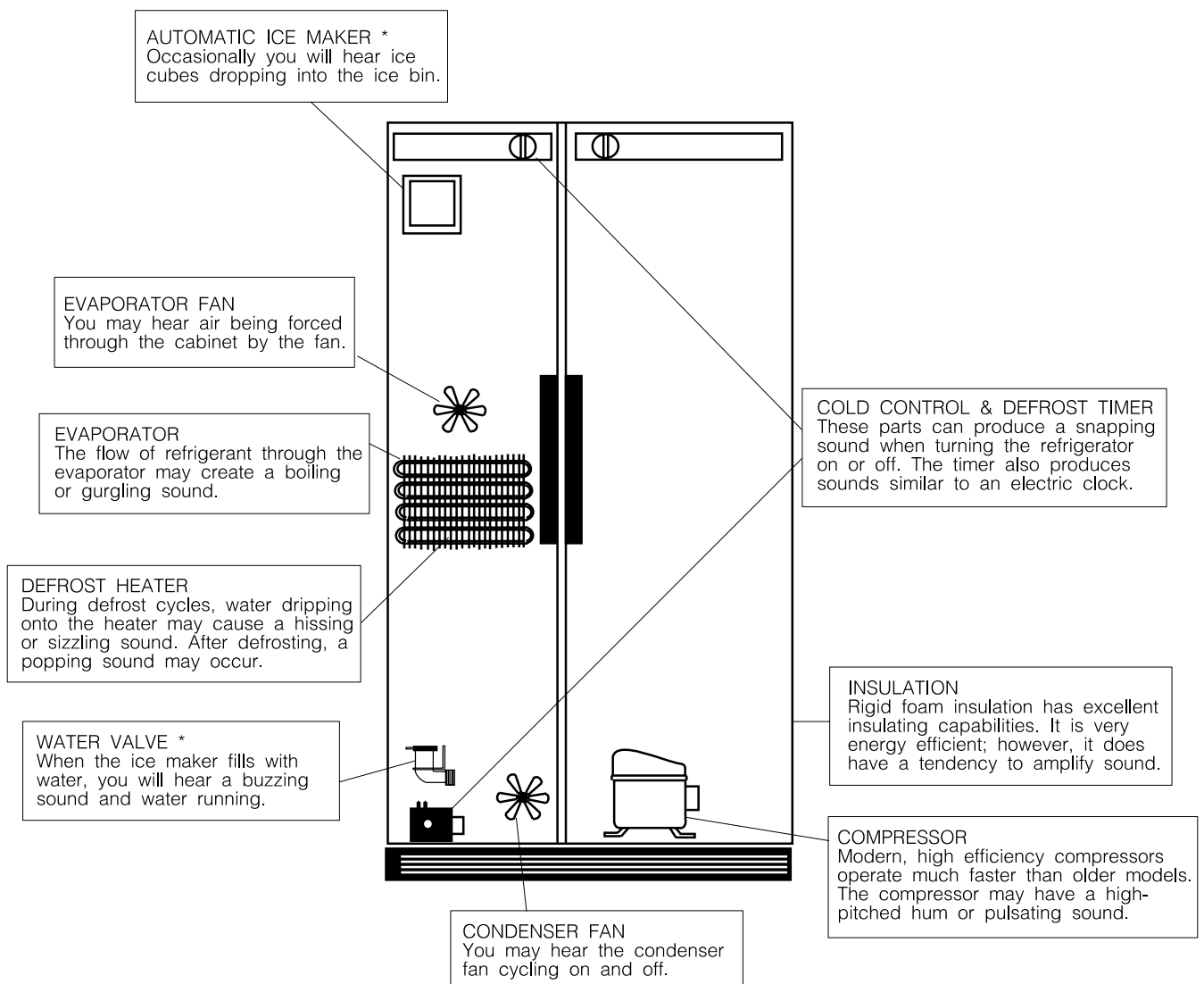
LIGHT BULB IS NOT ON

Light bulb is burned out. Replace bulb.

Light switch is stuck. Light switch is located on interior door frame next to the temperature control in each compartment. Push in plunger to release.

No electric current is reaching refrigerator. See Occurrence section **RUNNING OF REFRIGERATOR**.

## Normal Operating Sounds



\* On models equipped with an Automatic Ice Maker.

# REFRIGERATOR WARRANTY

Your White-Westinghouse product is protected by this warranty

	WARRANTY PERIOD	FRIGIDAIRE, THROUGH ITS AUTHORIZED SERVICERS, WILL:	THE CONSUMER WILL BE RESPONSIBLE FOR:
<b>FULL ONE-YEAR WARRANTY</b>	One year from original purchase date.	Pay all costs for repairing or replacing any parts of this appliance which prove to be defective in materials or workmanship. Excludes original and replacement Ice & Water filter cartridges (if equipped). Original and replacement cartridges are warranted for 30 days (parts only).	Costs of service calls that are listed under <b>NORMAL RESPONSIBILITIES OF THE CONSUMER.*</b>
<b>LIMITED 2ND - 5TH YEAR WARRANTY (Cabinet Liner and Sealed System)</b>	Second through fifth years from original purchase date.	Repair or replace any parts in the cabinet liner or Sealed Refrigeration System (compressor, condenser, evaporator, drier and tubing) which prove to be defective in materials or workmanship.	Costs for pick up and delivery of the appliance required because of service. Costs for labor, parts and transportation other than with respect to the cabinet liner or Sealed Refrigeration System.
<b>LIMITED WARRANTY (Applicable to the State of Alaska)</b>	Time periods listed above.	All of the provisions of the full warranties above and the exclusions listed below apply.	Costs of the technician's travel to the home and any costs for pick up and delivery of the appliance required because of service.

## ADDITIONAL COVERAGE FOR "THROUGH-THE-DOOR" ICE AND WATER DISPENSER AND/OR ICE ONLY DISPENSER MODELS:

	WARRANTY PERIOD	FRIGIDAIRE, THROUGH ITS AUTHORIZED SERVICERS, WILL:	THE CONSUMER WILL BE RESPONSIBLE FOR:
<b>FULL TWO YEAR WARRANTY (Ice and Water Dispensing System)</b>	During the second year from original purchase date.	Repair or replace, without charge, any part(s) of the ice and water dispensing system which proves to be defective in materials or workmanship, and all labor associated with such repair (excludes ice maker).	Costs for pick up and delivery of the appliance required because of service. Costs for labor, parts and transportation other than with respect to the ice and water dispensing system.

Your appliance is warranted by White Consolidated Industries, Inc. We authorize no person to change or add to any of our obligations under this warranty. Our obligations for service and parts under this warranty must be performed by Frigidaire or an authorized Frigidaire servicer.

### \*NORMAL RESPONSIBILITIES OF THE CONSUMER

**This warranty applies only to products in ordinary household use, and the consumer is responsible for the items listed below:**

1. Proper use of the appliance in accordance with instructions provided with the product.
2. Proper installation by an authorized servicer in accordance with instructions provided with the appliance and in accordance with all local plumbing, electrical and/or gas codes.
3. Proper connection to a grounded power supply of sufficient voltage, replacement of blown fuses, repair of loose connections or defects in house wiring.
4. Expenses for making the appliance accessible for servicing, such as removal of trim, cupboards, shelves, etc., which are not a part of the appliance when it was shipped from the factory.
5. Damages to finish after installation.
6. Replacement of light bulbs and/or fluorescent tubes (on models with these features).

### EXCLUSIONS

**This warranty does not cover the following:**

1. CONSEQUENTIAL OR INCIDENTAL DAMAGES SUCH AS PROPERTY DAMAGE AND INCIDENTAL EXPENSES RESULTING FROM ANY BREACH OF THIS WRITTEN OR ANY IMPLIED WARRANTY.  
*Note: Some states do not allow the exclusion or limitation of incidental or consequential damages, so this limitation or exclusion may not apply to you.*
2. Service calls which do not involve malfunction or defects in workmanship or material, or for appliances not in ordinary household use. The consumer shall pay for such service calls.
3. Damages caused by services performed by servicers other than Frigidaire or its authorized servicers; use of parts other than genuine Frigidaire Home Products parts; obtained from persons other than such servicers; or external causes such as abuse, misuse, inadequate power supply or acts of God.
4. Products with original serial numbers that have been removed or altered and cannot be readily determined.

### IF YOU NEED SERVICE

Keep your bill of sale, delivery slip, or some other appropriate payment record. The date on the bill establishes the warranty period should service be required. If service is performed, it is in your best interest to obtain and keep all receipts. This written warranty gives you specific legal rights. You may also have other rights that vary from state to state. Service under this warranty must be obtained by contacting Frigidaire Home Products:

**800•944•9044**  
Frigidaire Home Products  
P.O. Box 212378  
Augusta, GA 30917



Product features or specifications as described or illustrated are subject to change without notice. All warranties are made by White Consolidated Industries, Inc. This warranty applies only in the 50 states of the U.S.A. and Puerto Rico.



■                    ■                    ■

# *MANUAL DEL USUARIO* *REFRIGERADOR*

Lea y guarde estas  
instrucciones

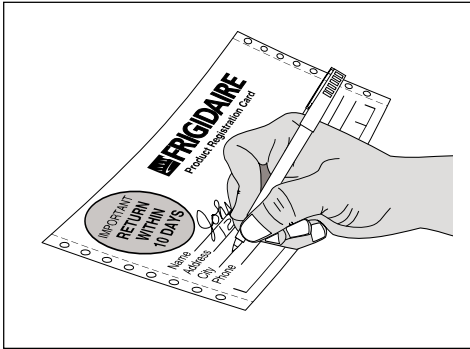


# White-Westinghouse



**Lado a Lado**  
**Hielo y Agua**

## Registro del Producto



La información contenida dentro de ésta Guía del Usuario, le enseñará como operar y mantener correctamente su producto. Por favor lea la información contenida en su paquete de literatura para documentarse más, acerca de su nuevo electrodoméstico.

### Anote el número de modelo y el número de serie

Anote el N° de Modelo y el N° de Serie de este refrigerador en el espacio provisto. Estos números se encuentran en la placa de serie situada en la pared superior izquierda del compartimiento del refrigerador.

N° de modelo: \_\_\_\_\_

N° de serie: \_\_\_\_\_

### Registre su producto

La TARJETA DE REGISTRO DEL PRODUCTO ya dirigida debe ser llenada, firmada y enviada a Frigidaire Company.

## Contenidos

Esta Guía del Usuario, provee instrucciones de operación específicas para su modelo. Utilice el refrigerador únicamente según las instrucciones de ésta Guía del Usuario.

<b>2</b>	<b>Registro del Producto</b>
<b>3</b>	<b>Instrucciones Importantes para la Seguridad</b>
3	Para Su Seguridad
3	Seguridad de los Niños
3	Información Eléctrica
3	Otras Precauciones
<b>4-5</b>	<b>Para Comenzar</b>
4	Ubicación
4	Instalación
4	Abertura de la Puerta
4	Nivelación
4	Limpieza
5	Cómo Conectar La Máquina Para Hacer Hielo Al Suministro Agua
<b>6</b>	<b>Ahorro de Energía</b>
<b>6</b>	<b>Ajuste de los Controles</b>
6	Control del Refrigerador
6	Control del Congelador
<b>7</b>	<b>Almacenamiento de Alimentos Frescos</b>
<b>8-11</b>	<b>Distribuidor Automática de Agua y Hielo</b>
8	Luz
8	Funcionamiento del Distribuidor de Agua
8	Funcionamiento del Distribuidor de Hielo
9	Sugereencias para el Distribuidor de Cubos de Hielo
9	Limpieza del Distribuidor de Hielo
10-11	Ice and Water Filter
<b>12-13</b>	<b>Cuidado y Limpieza</b>
12	Limpieza Interior
12	Limpieza Exterior
12	Para Cambiar la Ampolleta
13	Sugereencias para las Vacaciones y Mudanzas
<b>13-14</b>	<b>Para Sacar las Manijas y las Puertas</b>
13	Para Sacar Las Manijas
14	Retire Puerta del Congelador
14	Retire Puerta del Refrigerador
14	Para Reinstalar la Puerta del Congelador
14	Para Reinstalar la Puerta del Refrigerador
<b>1518</b>	<b>Lista de Control de Averías</b>
<b>18</b>	<b>Sonidos Normales del Funcionamiento</b>
<b>19</b>	<b>Garantía del Refrigerador</b>



# Instrucciones Importantes de Seguridad

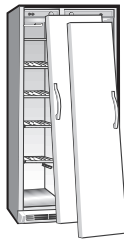
## Proceso para disponer de su Refrigerador o Congelador

### ⚠ ADVERTENCIA

Riegos de entrapamiento de niños: Niños atrapados y sofocados no son un problema del pasado. Refrigeradores o congeladores abandonados siguen siendo un peligro un cuando sea "por unos cuantos días". Si usted está planeando disponer de su refrigerador o congelador, por favor siga las instrucciones las cuales ayudarán a prevenir accidentes.

ANTES DE DESCARTAR SU REFRIGERADOR O CONGELADOR VIEJO:

- Remueva las puertas.
- Deje las bandejas instaladas. Estas limitan el acceso a los niños dentro del refrigerador o congelador.



⚠ ADVERTENCIA Evite los riesgos de incendios o choques eléctricos. No use un cordón de extensión o un adaptador para el tomacorriente. No saque ninguna espiga del enchufe del cordón eléctrico.

Tomacorriente  
puesto a tierra



Bajo ninguna  
circunstancia corte,  
saque o ponga en  
derivación la espiga  
de puesta a tierra de  
este enchufe.

Cordón eléctrico puesto  
a tierra con enchufe de  
3 espigas.

Lea todas las instrucciones antes de usar éste refrigerador.

### ⚠ ADVERTENCIA Para Su Seguridad

No almacene o use gasolina u otros líquidos o vapores inflamables en la proximidad de éste o cualquier otro artefacto. Lea las etiquetas de los productos para informarse sobre la inflamabilidad y otras advertencias.

### ⚠ ADVERTENCIA Seguridad de los Niños

- Destruya la caja de cartón, las bolsas de plástico y cualquier material de empaque exterior inmediatamente después de que el refrigerador sea desempacado. Los niños no deben usar estos artículos para jugar. Las cajas de cartón cubiertas con alfombras, colchas o pedazos de plástico pueden convertirse en cámaras sin aire y causar asfixia.
- Saque todas las grapas de la caja de cartón. Las grapas pueden causar cortes graves y dañar los acabados si tienen contacto con otros artefactos o muebles.
- Una nevera, refrigerador o congelador que estén vacíos y hayan sido descartados, es una atracción muy peligrosa para los niños. **Saque la puerta de cualquier artefacto que no esté en uso, aún si está siendo descartado.**

### ⚠ ADVERTENCIA Información Eléctrica

*Estas advertencias deben ser seguidas para asegurarse de que los mecanismos de seguridad de este refrigerador funcionen correctamente.*

- El refrigerador debe ser enchufado en su propio tomacorriente de 115 voltios, 60 Hz, CA solamente. El cordón eléctrico del artefacto está equipado con un enchufe de puesta a tierra de tres clavijas para protección contra riesgos de choques eléctricos. Debe ser enchufado directamente en un tomacorriente de tres tomas debidamente puesto a tierra, protegido con un fusible de retardo de 15 amperes o un disyuntor. El tomacorriente debe ser instalado de acuerdo con el Código Eléctrico Nacional y los códigos y reglamentos locales. Consulte a un electricista calificado. **No Use Un Cordón De Extensión O Un Adaptador Para El Tomacorriente.**
- Si el voltaje varía en 10 por ciento o más, el rendimiento del refrigerador puede verse afectado. Si se hace funcionar el congelador con insuficiente energía se puede dañar el motor. Tal daño no está cubierto por la garantía. Si usted sospecha que el voltaje de su hogar es alto o bajo, consulte a su compañía de electricidad para que lo comprueben.
- Para evitar que el refrigerador sea apagado accidentalmente no lo enchufe en un tomacorriente controlado por un interruptor mural o una cuerda.
- No doble, anude o apriete el cordón eléctrico de ninguna manera.

### ⚠ ADVERTENCIA Otras Precauciones

- Nunca desenchufe el refrigerador tirando del cordón eléctrico. Siempre sujete el enchufe firmemente y tire derecho hacia afuera del tomacorriente.
- Para evitar choque eléctrico, desenchufe el refrigerador antes de la limpieza o descongelación. **NOTA:** Si gira el control a la posición "OFF" el compresor se apaga, pero no se desconecta la energía a los otros componentes eléctricos.
- No haga funcionar el refrigerador en la presencia de vapores explosivos.
- Si su refrigerador tiene una máquina automática de hacer hielo, evite contacto con las piezas móviles.

## Para Comenzar

Antes de poner en marcha el refrigerador, siga estas importantes indicaciones:

### Ubicación

- Seleccione un lugar que esté cerca de un tomacorriente eléctrico puesto a tierra. **NO** use un cordón de extensión o un adaptador de enchufe.
- Si es posible, coloque el refrigerador fuera de la luz directa del sol y alejado de la estufa, lavadora de platos u otras fuentes de calor.
- El refrigerador debe ser instalado en un piso que esté nivelado y lo suficientemente firme como para soportar un refrigerador totalmente lleno.
- Tome en cuenta la disponibilidad de suministro de agua para la máquina de hacer hielo automática.

### Instalación

- No instale el refrigerador donde la temperatura descenderá a menos de 60°F (15°C) o se elevará a más de 110°F (43°C). El compresor no podrá mantener las temperaturas correctas.
- Cuando se instala encastrado, deje 1/2 pulgada (10-15 mm) más a cada lado para facilitar la instalación.
- Si el lado de las bisagras del refrigerador vá a ser colocado contra una pared, deje un espacio de 1 3/4 pulgadas (44 mm) entre la pared y el refrigerador para permitir que la puerta pueda ser abierta bien.

### Abertura de la puerta

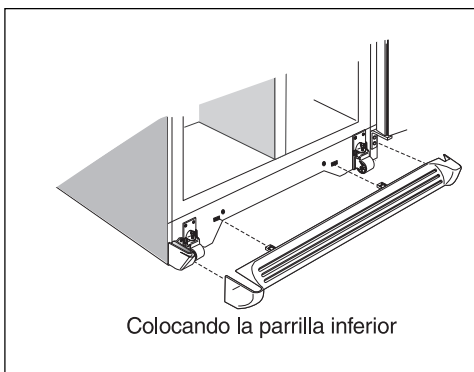
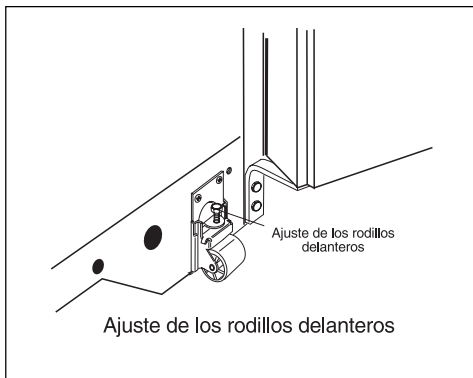
Para hacer un mejor uso de los compartimientos y de la cesta del congelador, el refrigerador debe estar en una posición en que tanto las puertas del refrigerador como del congelador puedan ser abiertas aproximadamente 135°.

### Nivelación

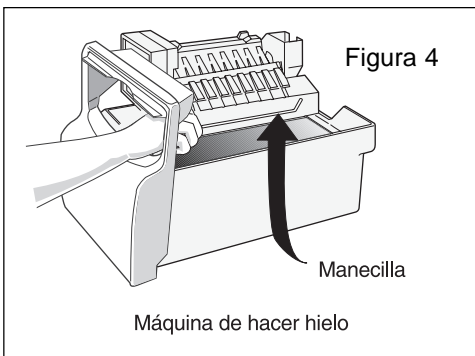
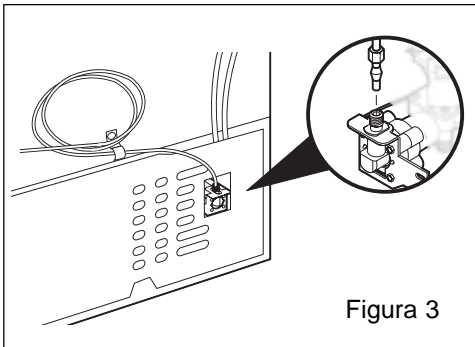
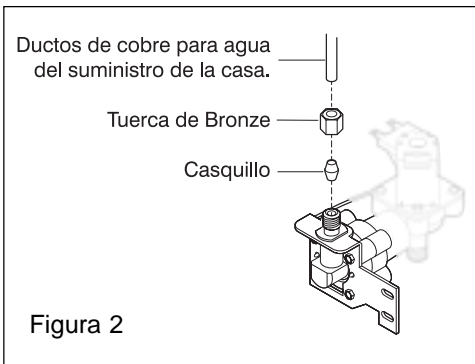
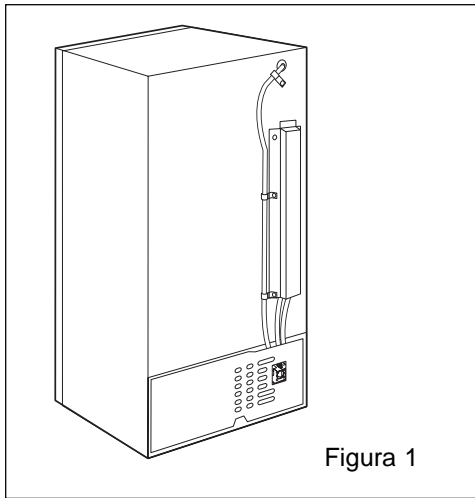
- El refrigerador debe estar nivelado, con las esquinas inferiores descansando firmemente sobre piso firme. Ajuste los rodillos delanteros para nivelar el gabinete tanto desde la parte delantera hacia atrás como de lado a lado. Mantenga el gabinete tan bajo como sea posible para mayor estabilidad. **Nunca ajuste los rodillos del gabinete de modo que la parte delantera quede más baja que la trasera.**
- **Para ajustar los rodillos delanteros:** Abra la puerta del refrigerador y del congelador. Saque la parrilla inferior tirándola derecho hacia afuera. Ajuste los rodillos girando el perno de ajuste de cada rodillo con una llave Inglesa, una llave de tubo o una llave de tuerca hasta que el refrigerador esté nivelado y estable. Los rodillos traseros no son ajustables.
- Revise ambas puertas para asegurarse de que las juntas tocan el gabinete uniformemente en los cuatro lados.
- Si la puerta del congelador es más alta que la puerta del refrigerador, levante la esquina derecha y/o baje la esquina izquierda hasta que las puertas queden alineadas a través de la parte superior del gabinete.
- Si la puerta del refrigerador es más alta que la puerta del congelador, levante la esquina izquierda y/o baje la esquina derecha hasta que las puertas queden alineadas a través de la parte superior del gabinete.
- **Para volver a colocar la parrilla inferior:** Alinee las lengüetas con los agujeros y empuje la parrilla derecho hacia adentro.

### Limpieza

- Lave el interior, todas las piezas removibles y el exterior con un detergente suave y agua tibia. Seque bien. **No Use Limpiadores Abrasivos En Estas Superficies.**
- No use hojas de afeitar ni otros instrumentos afilados para sacar las etiquetas adhesivas pues puede rayar la superficie del artefacto. Cualquier resto de goma de las etiquetas o de la etiqueta sobre energía puede ser sacado con una mezcla de agua tibia y detergente suave o despegar el residuo con el lado adhesivo de la etiqueta que ya ha sido sacada.
- **No Saque La Placa Con El Numero De Serie.**



## Para Comenzar (continuación)



## Cómo Conectar La Máquina Para Hacer Hielo Al Suministro De Agua

**⚠ PRECAUCIÓN** No Instale La Tubería de la Máquina Para Hacer Hielo Donde La Temperatura Pueda Reducirse A Menos Del Punto De Congelación.

Asegúrese de que la conexión del agua cumpla con los códigos locales de instalaciones de cañería.

La calidad del agua determina la calidad del hielo. Es mejor conectar la máquina de hacer hielo a una fuente de agua que no sea suavizada. Los químicos de un suavizador que esté funcionando mal pueden dañar la máquina de hacer hielo. Si conecta la máquina de hacer hielo a una fuente de agua suave, certírese de que el suavizador reciba mantenimiento apropiado y trabaje correctamente.

Esta máquina de hacer hielo requiere una línea de suministro de agua de cobre (con válvula de cierre) de 1/4 de pulgada (6,4 mm) del suministro de agua de su casa. La conexión de tubería detrás del refrigerador debe ser lo suficientemente larga para permitir moverlo hacia fuera a fin de limpiar el piso.

El conjunto de Línea de Agua puede obtenerse donde su distribuidor con un cargo adicional. Este conjunto incluye tubería de cobre 1/4 pulgada de diámetro más piezas necesarias para conectar su línea de agua fría. Usted necesitará comprar una tuerca y casquillo de bronce de 1/4 de pulgada en una ferretería y tienda de artículos de fontanería de su localidad.

1. ABRA el suministro de agua y enjuague la tubería de cobre. CIERRE al suministro de agua.
2. Desconecte el refrigerador.
3. Instale la LÍNEA DEL SUMINISTRO DE AGUA de la manera siguiente (Figura 2):
  - Deslice la tuerca de bronce, luego el casquillo, hacia dentro de la tubería de cobre.
  - Empuje el extremo de la tubería de cobre lo más que pueda hacia dentro del accesorio de la válvula metálica de agua (1/4 de pulgada). Deslice el casquillo hacia dentro del accesorio y enrosque la tuerca de bronce hacia dentro del accesorio de entrada con toda la fuerza de los dedos más media vuelta con una llave.

**NOTA:** Algunos modelos pueden tener un tapón en la válvula. Destómille el tapón y échelo a la basura.

4. Sujete la tubería de cobre con la ABRAZADERA DE ACERO y atomille el panel dorsal en el lugar que se muestra (Figura 3).
5. Dirija el suministro de agua hacia el serpentín como se muestra (figura 3).

**NOTA:** Para evitar el ruido y desgaste que produce la vibración, deje un espacio entre la tubería y otras superficies.
6. Abra el suministro de agua y verifique que no hay fugas en ninguna de las conexiones (figura 3).
7. Conecte el cable del refrigerador en la toma de corriente de pared.
8. Para comenzar la producción de hielo, baje la manecilla de alambre a la posición hacia abajo, en funcionamiento. (Figura 4).

### IMPORTANTE

La producción de hielo comenzará cuando el congelador alcance la temperatura de funcionamiento normal. El aire en las nuevas cañerías podría causar que la máquina de hacer hielo completara dos o tres ciclos antes de producir una bandeja llena de hielo.

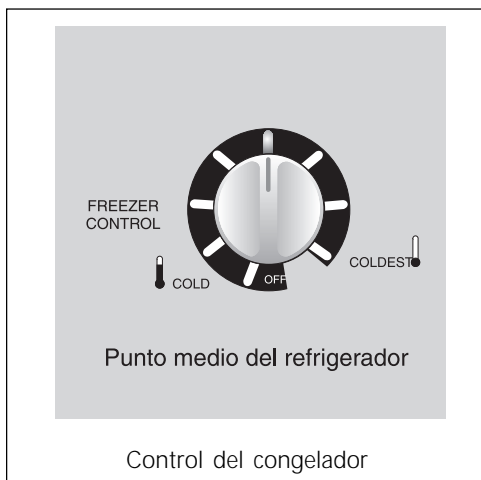
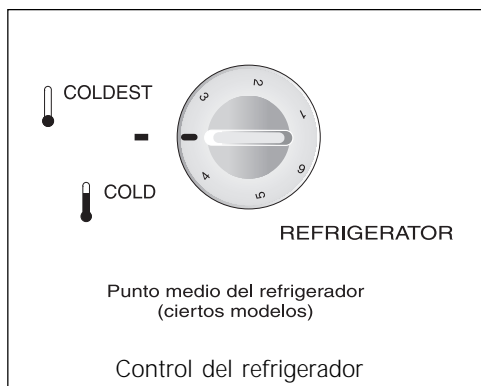
La nueva instalación de cañerías podría causar que el hielo se viera descolorido o tuviera mal sabor. Eche a la basura el hielo hecho durante las primeras 24 horas. Después de instalación, si desea apagar la máquina de hacer hielo, levante el brazo de apagado hasta que escuche un chasquido y calce en la posición UP (ARRIBA).

## Ahorro de Energía



- Ubique el refrigerador en la parte más fría de la habitación, alejado de la luz directa del sol y de los conductos o registros de la calefacción. No coloque el refrigerador cerca de artefactos que produzcan calor tales como la estufa, horno o lavadora de platos. Si ésto no es posible, coloque una capa de aislamiento entre los dos artefactos para ayudar a que el refrigerador funcione más eficientemente.
- Nivele el refrigerador de modo que las puertas cierren herméticamente.
- Consulte este Manual del Usuario para los ajustes sugeridos para el refrigerador.
- La limpieza periódica del condensador ayudará a que el refrigerador funcione más eficientemente. Ver Limpieza Exterior en la sección "Cuidado y Limpieza".
- No coloque demasiados artículos en el refrigerador ni bloquee los respiraderos del aire frío. Si lo hace, el refrigerador debe funcionar por periodos más prolongados y usa más energía. Las parrillas no deben forrarse con papel de aluminio, papel de cera ni toallas de papel. Los forros interfieren con la circulación del aire frío, afectando la eficacia del refrigerador lo cual puede ocasionar descomposición de los alimentos.
- Cubra los alimentos y seque los envases antes de colocarlos en el refrigerador. Esto reduce la acumulación de humedad dentro del artefacto.
- Organice el refrigerador a fin de reducir la apertura frecuente de la puerta. Saque tantos artículos como necesite de una sola vez y cierre la puerta tan pronto como sea posible.

## Ajuste de los Controles



### Período de enfriamiento

Para asegurar la conservación de los alimentos, deje que el refrigerador funcione con la puerta cerrada por lo menos de 8 a 12 horas antes de colocar los alimentos.

### Control del refrigerador

- El control del refrigerador debe estar colocado en el punto medio del indicador para un período de prueba de 24 horas.
- Después de las 24 horas, ajuste el control como sea necesario. Para temperaturas más frías, gire el control una ranura hacia "**COLDEST**" (**MAS FRIO**). Para temperaturas más tibias, gire el control una ranura hacia "**COLD**" (**FRIO**). Ajuste las temperaturas haciendo un incremento cada vez.

### Control del congelador

- El control del congelador debe estar colocado en el punto medio del indicador para un período de prueba de 24 horas.
- Después de las 24 horas, ajuste el control como sea necesario. Para temperaturas más frías, gire el control un lugar hacia "**COLDEST**" (**MAS FRIO**). Para temperaturas más tibias, gire el control un lugar hacia "**COLD**" (**FRIO**). Ajuste las temperaturas haciendo un incremento cada vez.

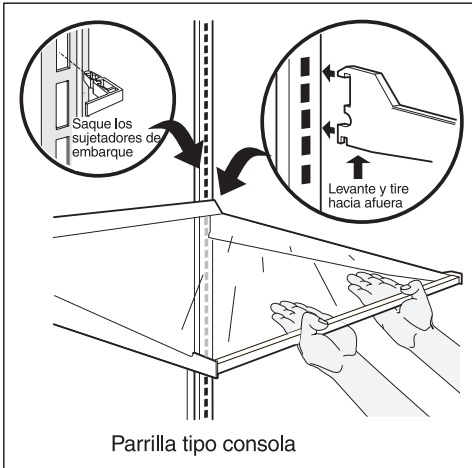
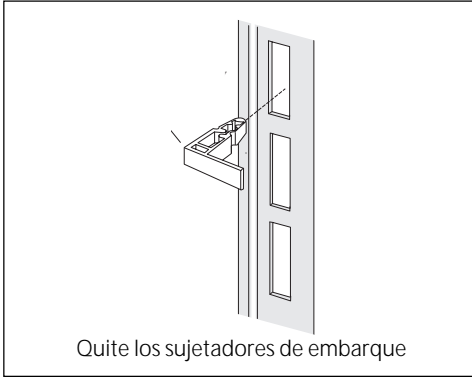
**NOTA:** Cuando esté colocando los controles por primera vez o cuando esté cambiando un ajuste, espere 24 horas para que la temperatura se estabilice antes de hacer cambios adicionales.

Al girar el control del congelador puede cambiar las temperaturas en ambos compartimientos. Por ejemplo, si el control del congelador es colocado en un ajuste más frío, el control del refrigerador debe ser ajustado a uno más caliente. Al girar el control del refrigerador cambiará solamente la temperatura del refrigerador.

**IMPORTANTE:** Si el control del congelador se coloca en la posición "**OFF**" (**APAGADO**), se detiene el enfriamiento en ambos compartimientos.

Usted puede oír cuando el sistema de "Frost Free" (Descongelación Automática) está trabajando. Un ventilador circula el aire en el compartimiento del refrigerador y congelador. Para una buena circulación y mantenimiento de temperaturas de enfriamiento apropiadas, no obstruya los respiraderos de aire frío con alimentos. El agua que cae a la bandeja de descongelación y los sonidos de silbido son normales durante el ciclo de "Frost Free" (Descongelación Automática).

## Almacenamiento de Alimentos Frescos



## Ajuste de las Parrillas

Las parrillas del refrigerador pueden ser fácilmente ajustables de acuerdo a las necesidades individuales. Algunos modelos tienen puertas corredizas, otras tienen alacenas en voladizo, o ambas. Antes de ajustar las parrillas, saque todos los alimentos. Los sujetadores de embarque que estabilizan las parrillas durante el transporte pueden ser sacados y descartados.

*Para ajustar las parrillas tipo consolas*, (las parrillas que están apoyadas solo en la parte trasera del refrigerador), levante la parte trasera de la parrilla hacia arriba y hacia afuera. Vuelva a colocar la parrilla insertando los ganchos en las ranuras traseras. Haga descender y bloquee en su posición.

## Almacenamiento en la Puerta

La puerta tiene compartimientos y parrillas para almacenamiento conveniente de frascos, botellas y latas. Los artículos de uso frecuente están disponibles para una selección rápida.

Algunos modelos tienen compartimientos ajustables en la puerta los cuales pueden ser movidos para adaptarse a las necesidades individuales. Para sacar los compartimientos, levántelos derecho hacia arriba. Coloque el compartimiento en la posición deseada y hágalo descender en los soportes.

El compartimiento para los productos lácteos es más tibio que la sección de alimentos generales y está destinado al almacenamiento a corto plazo del queso, mermeladas o mantequilla.

## Compartimientos para las Verduras

Los compartimientos de las verduras situados en la parrilla inferior del refrigerador están diseñados para conservar frutas, verduras y otros productos frescos. Lave bien los productos en agua fresca y saque el exceso de agua antes de colocarlos en los compartimientos. Los artículos con olores fuertes o mucha humedad deben ser envueltos antes de ser guardados.

## Bandeja para la Carne (algunos modelos)

La temperatura en la gaveta de la Sección de Carnes, puede enfriar más, que el resto del compartimiento del refrigerador, utilizando el control de circulación de aire graduable. Los alimentos pueden ser congelados parcialmente y mantenidos frescos más tiempo que si se almacenan en una alacena del refrigerador. Antes de colocar comida en la Sección de Carnes, siga estos pasos.

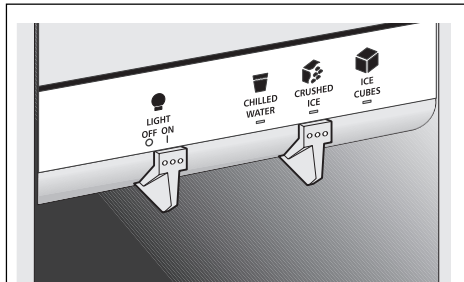
1. Maneje los alimentos cuidadosamente con las manos limpias y siempre mantenga la gaveta limpia.
2. Amacene carne o pescado en su envoltura original. Si es necesario, recubra con envoltura plástica o papel de aluminio para prevenir sequedad.
3. Si hay deterioro de alimentos, desinfecte la gaveta con cloro líquido blanqueador, siguiendo las instrucciones de la etiqueta. Lave con una solución de soda cáustica y agua. Enjuague con agua y seque.

## Cesta del Congelador (algunos modelos)

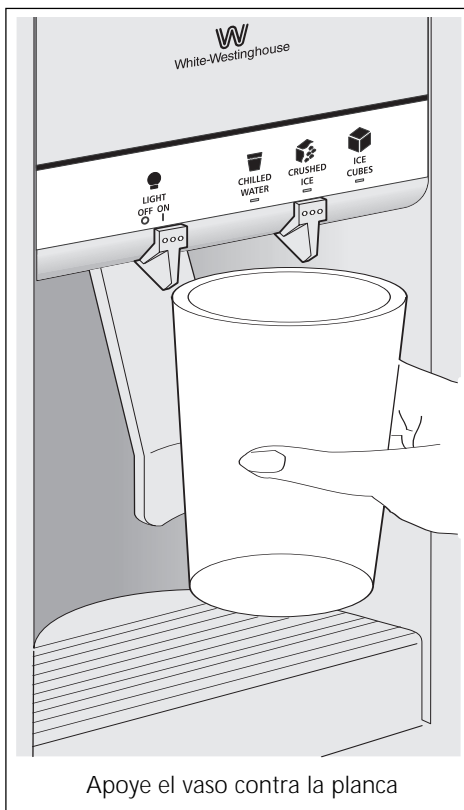
Una cesta deslizable (algunos modelos tienen más de uno) cuelga debajo de la parrilla del congelador. Esta cesta provee fácil acceso a los paquetes de alimentos congelados.



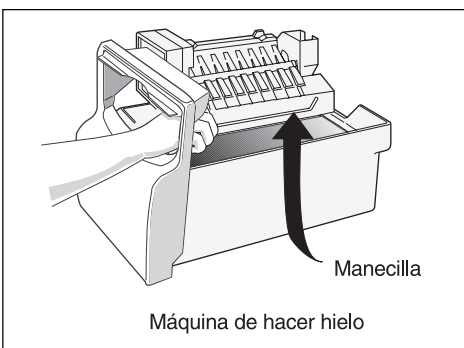
# Distribuidor Automático de Agua y Hielo



Selector del Distribuidor



Apoye el vaso contra la palanca



Máquina de hacer hielo

El distribuidor de hielo y agua situado en la puerta del congelador produce convenientemente agua helada y cubos de hielo. Esta bandeja de desagüe es removible y adecuada para máquinas lavaplatos.

Asegúrese de sujetar el vaso tan arriba como sea posible para recibir el hielo. Para detener la salida del hielo, retire el vaso de la palanca. Cuando esté sacando hielo, suelte el brazo antes de que el vaso esté lleno pero no retire el vaso hasta que el hielo no haya dejado completamente de caer. Para determinar la aspereza del hielo molido, seleccione un ajuste en el Selector del Hielo Molido, situado dentro del congelador en la tapa delantera del depósito donde se conserva el hielo. (Instrucciones completas para la operación del dispensador se adjuntan al interior de la puerta del congelador.)

Una pequeña área caliente debajo de la placa inferior del distribuidor atrapa y evapora los derrames pequeños. Esta bandeja de desagüe es removible y adecuada para máquinas lavaplatos. **No vacie agua o cubos de hielo en esta área** porque no tiene drenaje.

## Luz

El dispensador tiene una luz que puede ser apagada y encendida deslizando el botón a la posición deseada o presionando en el teclado Luz APAGADO / ENCENDIDO. La luz también se enciende automáticamente cuando el hielo y/o el agua está siendo sacada. Reemplace la ampolleta con una nueva de la misma potencia.

## Funcionamiento del Distribuidor de Agua

El depósito del agua está colocado detrás de los compartimientos en el refrigerador. A medida que el agua es sacada, el depósito se va llenando automáticamente. Para que el distribuidor funcione de manera correcta, la presión del agua debe ser entre 20 lbs/pulg.<sup>2</sup> y 120 lbs/pulg.<sup>2</sup>.

Después de que el refrigerador es instalado y se hacen las conexiones de las tuberías, el depósito del agua debe ser llenado sacando un vaso de agua. **Puede demorar aproximadamente 1-1/2 minuto** después de haber apoyado la palanca del distribuidor antes de que el agua comience a circular por las tuberías y comience a llenar su primer vaso. Saque y descarte 7 vasos más para asegurarse de que el depósito y las tuberías están limpias de todas impurezas.

**Para asegurar agua de gusto fresco**, use el distribuidor todos los días. Si el distribuidor no se usa durante una semana o más, saque y descarte de 7 a 8 vasos para refrescar el agua del depósito.

## Funcionamiento del Distribuidor de Hielo

La máquina para hacer hielo y el depósito del hielo, están ubicados en la esquina izquierda superior del compartimiento del congelador. Después de que el refrigerador esté instalado en forma correcta y se haya enfriado durante varias horas, la máquina para hacer hielo puede comenzar a fabricarlo. Para comenzar la producción de hielo, baje la manecilla de alambre a la posición hacia abajo, en funcionamiento. A medida que se hacen los cubos de hielo ellos son guardados en el depósito. Aunque puede demorar de 1 a 2 días para llenar el depósito, el distribuidor puede ser usado después de que se hace la primera carga de hielo. La máquina de hacer hielo se apaga automáticamente cuando el depósito se llena de hielo.

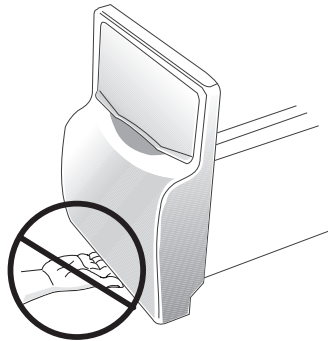
Debido a que las conexiones de las tuberías son nuevas, la primera producción de cubos de hielo puede tener mal olor y ser descolorada. Estos primeros lotes deben ser descartados hasta que los cubos tengan buen gusto y no presenten descoloración.

**PRECAUCIÓN** La calidad del agua determina la calidad del hielo. Es mejor conectar la máquina de hacer hielo a agua no acondicionada (suavizada). Los químicos de un acondicionador de agua que funciona mal pueden dañar la máquina de hacer hielo. Si la máquina de hacer hielo se conecta a agua acondicionada, asegúrese de que el acondicionador de agua se mantenga y que funcione adecuadamente.

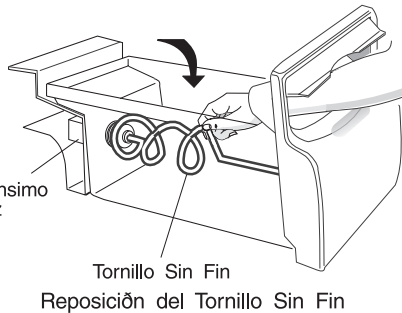
Para apagar la máquina de hacer hielo, levante la manecilla de alambre a la posición hacia arriba, o apagada.

# Distribuidor Automático de Agua y Hielo (continuación)

**⚠ ADVERTENCIA** No use el conducto de salida del hielo como una manija cuando saque o vuelva a colocar el depósito del hielo. Las superficies pueden estar muy afiladas.



No coloque sus dedos hacia arriba del conducto de salida del hielo. Las superficies pueden estar muy afiladas.



Mecanismo Motriz

Tornillo Sin Fin  
Reposición del Tornillo Sin Fin

## Sugerencias para el Distribuidor de Cubos de Hielo

1. Los cubos de hielo que quedan mucho tiempo guardados pueden desarrollar un sabor extraño. Vacíe el depósito y colóquelo nuevamente en su lugar. La máquina de hacer hielo producirá entonces más hielo.
2. Agite periódicamente el depósito para mantener los cubos del hielo separados.
3. Si la palanca se empuja por más de cuatro minutos, el motor del distribuidor puede sobrecargarse y detenerse. El protector de sobrecarga se repositonará automáticamente después de 3 o 4 minutos. Si se necesita una gran cantidad de hielo de una sola vez, lo mejor es sacar los cubos directamente del depósito del hielo.
4. Ciertos sonidos son normales cuando la máquina de hacer hielo está funcionando. Ellos son:
  - El funcionamiento del motor
  - El hielo que se está desprendiendo de la bandeja
  - El hielo al caer al depósito
  - El agua que corre
  - Cierre y apertura de la válvula del agua

Para mayor información sobre estas operaciones vea "Sonidos Normales de Funcionamiento."

5. Apague la máquina de hacer hielo cuando esté limpiando el congelador o durante vacaciones largas.
6. Si la máquina de hacer hielo va a ser apagada por un período de tiempo largo, gire la válvula del agua a la posición cerrada.

## Limpeza del Distribuidor de Hielo

Limpe el distribuidor de hielo y el depósito del almacenamiento del hielo a intervalos regulares, particularmente antes de tomar unas vacaciones o de una mudanza o cuando el distribuidor del hielo se atasca.

1. Detenga la producción de hielo levantando la manecilla de alambre a la posición "up" u "OFF" (Apagado).
2. Saque el depósito de almacenamiento del hielo levantándolo hacia arriba y hacia afuera. Baje y limpie cuidadosamente el depósito con un detergente **suave**. No sumerja el depósito cuando lo esté limpiando. Enjuague con agua limpia. No use limpiadores ásperos o abrasivos. Deje que el depósito del hielo se seque completamente antes de volver a colocarlo en el congelador.
3. Saque los pedazos de hielo y limpie la parrilla y el conducto de salida que sostiene al depósito de almacenamiento del hielo.
4. Vuelva a colocar el depósito del hielo. Baje la manecilla de alambre de la máquina de hacer hielo a la posición "down" u "ON" y la máquina de hacer hielo resumirá la producción.

**IMPORTANTE:** Cuando saque o reemplace el depósito del hielo no gire el tornillo sin fin en el depósito del hielo. Si el tornillo sin fin es accidentalmente girado usted debe realinearlo girándolo 90° hasta que el depósito del hielo encaje en el mecanismo motriz. Para mayores instrucciones, vea la etiqueta en el depósito del hielo.

### Saque y vacíe el depósito del hielo si:

1. Una falla prolongada de la energía eléctrica (una hora o más) hace que los cubos de hielo en el depósito se derritan y congelen juntos obstruyendo el mecanismo del distribuidor.
2. El distribuidor de hielo no es usado frecuentemente. Los cubos de hielo se congelarán juntos en el depósito y obstruirán el mecanismo del distribuidor. Saque el depósito del hielo y sacúdalo para separar los cubos.

**NUNCA** use un picador de hielo o un instrumento afilado similar para quebrar el hielo. Eso puede dañar el depósito del hielo y el mecanismo del distribuidor.



# Distribuidor Automático de Agua y Hielo

(continuación)

Se puede ordenar nuevos filtros del negociante donde usted compró el refrigerador. Es recomendable ordenar algunos filtros al instalar su refrigerador. Asegúrese de pedir el RC-200 cartucho de repuesto.

## Filtro de Hielo y Agua (algunos modelos)

**NOTA:** Si usted compró un refrigerador con un filtro de hielo y agua, lea la información de utilización y mantenimiento a continuación.

Este sistema de filtración de hielo y agua filtra el agua de su máquina de hacer hielo y del distribuidor de agua. Está ubicado en el rincón posterior derecho y superior del compartamento de alimentos frescos (véase la figura 1).

### Para Comenzar El Sistema:

El suministro de agua no necesita ser apagado, sin embargo no utilice el dispensador de hielo y agua mientras instala el filtro. Diríjase a la figura 1 al completar éstas instrucciones. El cartucho del filtro ya ha sido instalado en la carcasa por la fábrica. Diríjase a la sección "Como Funciona el Dispensador" para llenar el sistema de agua apropiadamente.

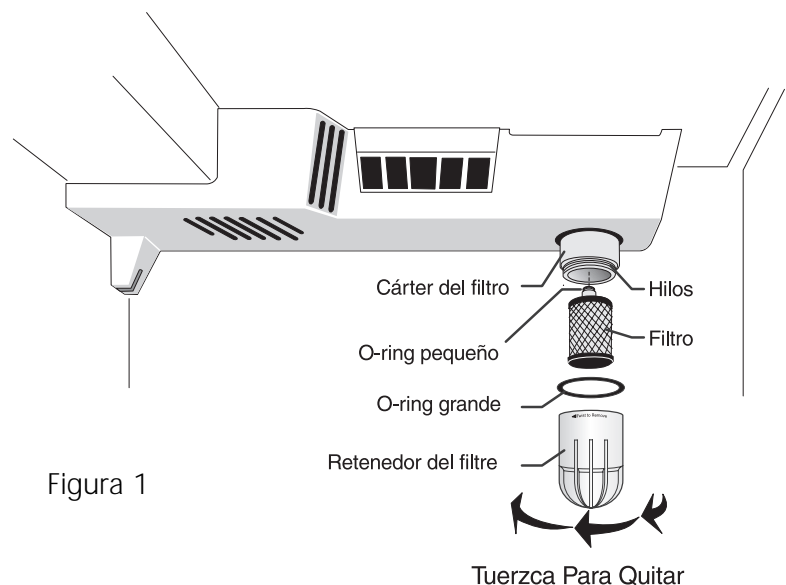
### Para cambiar el Filtro:

La calidad de agua varía por todo el mundo. Para asegurar la mejor calidad de agua posible, cambie el filtro de agua cada seis meses, o 200 galóns. También, si el filtro está en un refrigerador que no ha estado en uso por algún tiempo (durante una mudanza por ejemplo), cambie el filtro antes de reinstalar el refrigerador. Anote que el sistema del distribuidor operará también sin filtración (con el filtro quitado).

### Para cambiar el filtro:

Consulte la Figura 1 como sea necesario. No es necesario cerrar el suministro de agua para cambiar el filtro.

1. Coloque la manecilla de la máquina de hacer hielo a la posición apagada (OFF).
2. Retenga el retenedor del filtro firmemente, y desatornillelo a la izquierda (Figura 1). (Un poco de agua podría escapar mientras se quita el retenedor. Esto es normal.) El cartucho del filtro debe bajar con copa. Si no se desase, tírelo suavemente mientras se tuerce de aquí para allá.
3. Vacíe el retenedor de cualquier sustancia.
4. El retenedor circular (figura 1) que sella el sistema del filtro sienta en la ranura dentro de la copa. En caso de que el retenedor circular se caiga en el cambio del filtro de cartucho, simplemente vuélvalo a colocar en la ranura antes de atornillar la copa de nuevo en su sitio. Si se daña el retenedor circular, encontrará uno nuevo en el juego de reposición del filtro.
5. Deseche el viejo filtro.
6. Quite el nuevo filtro del empaque, e instálelo.
7. Ponga el filtro en el retenedor. El extremo con el O-ring pequeño debe estar para arriba fuera del retenedor.
8. Atornille el retenedor con el filtro hasta que se encasille en el cárter. No utilice la llave para reinstalar el filtro. El filtro se alinear según se atornilla el retenedor. Asegúrese de atornillar el retenedor completamente hasta que la marca se encare hacia el frente. **No tuerzca mas alla de la parada definitiva.**
9. Coloque la manecilla de la máquina de hacer hielo a la posición encendida (on).



# Distribuidor Automático de Agua y Hielo

(continuación)

## SISTEMA DE FILTRACIÓN DE HIELO Y AGUA HOJA DE DATOS

HOJA DE LA ESPECIFICACIÓN Y DE DATOS DE SISTEMA

### APPLICATION GUIDELINES / CONDITIONS OF USE

SUMINISTRO DE AGUA:	Municipal o de pozos
TEMPERATURA DEL AGUA:	Máxima 100° F. (38° C.) Solamente se debe usar con agua fría.
PRESIÓN DEL AGUA:	Máxima 125 psi, mínima 30 psi, conforme a medición la entrada de la válvula.

- Timely cartridge replacement is essential for the product to perform as advertised. Please refer to the Use and Care Manual for general operation and maintenance requirements. Your refrigerator will have one of two types of filter replacement reminders. One is a simple slide knob on the rear control box that you set to six months after installing a new filter. The other is an electronic light on the freezer door dispenser that lights up yellow when the filter is almost ready for replacement and lights up red when the filter must be replaced. The indicator is pressed for approximately 10 seconds to reset after replacing the filter.
- Sistema de Filtración de Hielo y Agua Hoja de Datos RF-200 no se debe usar con agua que no sea segura microbiológicamente o cuya calidad se desconozca a menos que se desinfecte adecuadamente antes o después que pase por el sistema. El sistema se puede usar con aguas desinfectadas que contengan quistes que se puedan eliminar por filtración.
- El rendimiento puede variar de acuerdo a las condiciones locales de agua o la presión. En las zonas donde el agua tiene un alto contenido de sedimentos, es posible que se necesite cambiar el cartucho con más frecuencia.
- El sistema absorberá el mal sabor y los olores tanto de los cubos de hielo como del agua para beber.

### SISTEMA ESPECIFICACIONES

FLUJO:	Dispositivo para hacer hielo - 3.4 to 4.3 oz (99 - 125 cc) por 7.5 segundos a 60 psi (conforme a medición la entrada de la válvula) Dispensador - 60 oz por minutos (.37 gpm o 1.4 litros por minutos) por 60 psi (conforme a medición la entrada de la válvula)
CAPACIDAD:	200 Galóns
SISTEMA CONSTRUCCIÓN:	Filter Housing Assembly - ABS Plastic Water Storage Tank - Polypropylene Plastic Tubería - Polypropylene / Polypropylene Plastic Filter Media - Extruded Carbon block with Polypropylene prefiltration shells

### REPLACEMENT CARTRIDGE INFORMATION

Replacement RC-200 Cartridges are available through your local dealer.

General testwater parameters; pH = 7.5 +/- 0.5 Temperatura = 20°C +/- 3°C (68°F +/- 5°F) Presión = 60 psi

Subancia reducción	Particle Size Range (micróns)	Ifluyente promedio	Efluyente máximo	Efluyente promedio	% de reducción promedio	EPA M.C.L.	% de reducción mínimo
Cloro	N/A	1.9 mg/l	0.11 mg/l	0.04 mg/l	97.80%	N/A	94.80%
Plomo,ph 6.5	N/A	0.15 mg/l	0.001 mg/l	0.001 mg/l	99.30%	15.0 ug/l	99.20%
Plomo,ph 8.5	N/A	0.16 mg/l	0.003 mg/l	0.002 mg/l	98.75%	15.0 ug/l	97.90%
Atracina	N/A	.0099 mg/l	.0006 mg/l	.0005 mg/l	94.90%	3.0 ug/l	92.60%
2,4 D	N/A	0.32 mg/l	0.04 mg/l	0.018 mg/l	94.20%	70 ug/l	85.20%
Quistes	3 - 4	122500 ppm	20 count/pm	10 count/pm	99.99%	N/A	99.98%
Partículas	.5 - 1	240000 ppm	880 ppm	410 ppm	99.80%	N/A	99.50%
Turbidez	23 - 28 NTU	26 NTU	0.09 NTU	0.07 NTU	99.70%	N/A	N/A

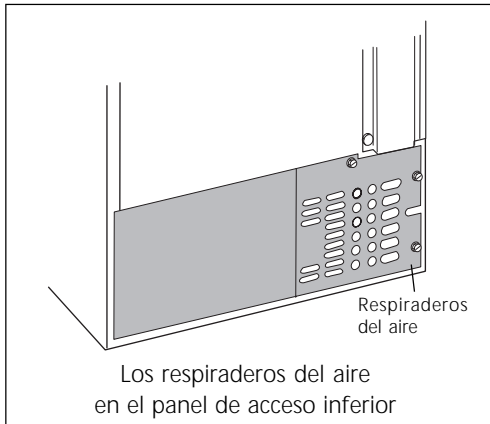
# Cuidado y Limpieza

Mantenga su refrigerador y congelador limpios para evitar la formación de malos olores. Limpie cualquier derrame inmediatamente y limpie ambos compartimientos por lo menos dos veces al año. **Nunca** use esponjas metálicas, escobillas, limpiadores abrasivos o soluciones alcalinas fuertes en ninguna superficie del refrigerador. **No** lave las piezas removibles en una lavadora de platos.

**Siempre desenchufe el cordón eléctrico del tomacorriente antes de la limpieza.** Al girar el control a la posición "OFF" (APAGADO), no se desconecta la corriente eléctrica a los controles, a la ampolleta ni a otros componentes eléctricos.

**PRECAUCION** Los objetos mojados se adhieren a las superficies metálicas frías. No toque las superficies metálicas con las manos mojadas o húmedas.

**PRECAUCION** Para evitar daño y ayudar al refrigerador a funcionar tan eficientemente como sea posible, limpie el condensador periódicamente.



## Limpieza Interior

Lave las superficies interiores del refrigerador y congelador con una solución de 2 cucharadas de sopa de bicarbonato de soda en 1 cuarto de galón de agua tibia. Enjuague y seque bien. **Asegúrese de estrujar el exceso de agua de la esponja o paño antes de limpiar alrededor de los controles, de la ampolleta o de las piezas eléctricas.**

Lave las piezas removibles tales como parrillas y compartimientos con una solución de bicarbonato de soda o detergente suave y agua tibia. **No Use Limpiadores Abrasivos En Estas Superficies.** Enjuague y seque bien. Limpie el empaque de la puerta con detergente suave y enjuague con agua clara y seque. No use hojas de afeitar ni otros instrumentos afilados para sacar las etiquetas adhesivas pues pueden rayar la superficie del artefacto. Cualquier resto de goma de las etiquetas o de la etiqueta sobre energía puede ser sacado con una mezcla de agua tibia y detergente suave o levantar el residuo con el lado adhesivo de la etiqueta que ya ha sido sacada. **No Saque La Placa Con El Numero De Serie.**

## Limpieza Exterior

Lave el gabinete y las manijas con agua tibia y detergente líquido suave. Enjuague bien y seque con un paño limpio y suave. No use limpiadores domésticos comerciales, amoníaco o alcohol para limpiar las manijas.

### Rejilla inferior:

Saque el polvo o la suciedad de la parte delantera de la rejilla inferior usando una aspiradora con el accesorio para limpiar el polvo. Saque la rejilla inferior tirándola derecho hacia afuera. Cuando haya sacado la rejilla, aspire la parte posterior de la rejilla y límpiela con un paño o esponja con agua y jabón. Periódicamente limpie el condensador (tubos negros y alambres bajo el refrigerador, detrás de la parrilla inferior). No permita que se acumulen pelusas o polvo en los serpentines. Inserte una escobilla de mango largo o el accesorio de una aspiradora entre los dos serpentines para traer las pelusas hacia adelante. Para volver a colocar la rejilla inferior, alinee las lengüetas con los agujeros y empuje la rejilla derecho hacia adentro.

**PRECAUCION** Tenga cuidado cuando limpie el área de los serpentines. Puede haber superficies afiladas.

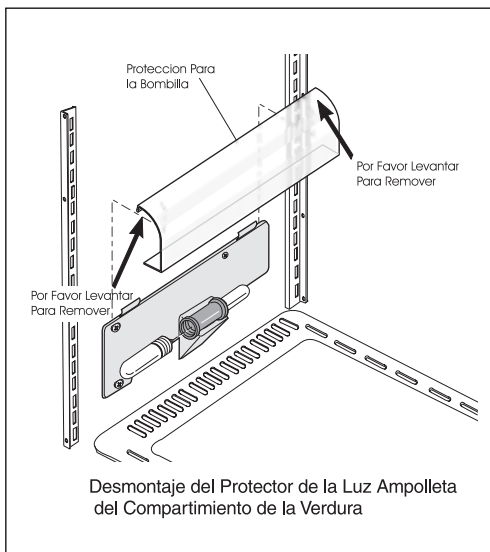
### Panel de acceso inferior:

Los respiraderos del aire en el panel de acceso inferior en la parte trasera del refrigerador deben ser limpiados periódicamente. Limpie los respiraderos usando una aspiradora con su accesorio para sacar el polvo. Cuando mueva el refrigerador, tirelo derecho hacia afuera. No mueva el refrigerador de lado a lado pues esto puede destruir o romper el revestimiento del piso. Tenga cuidado de no mover el refrigerador más allá del largo de las conexiones.

## Para Cambiar la Ampolleta

**Como cambiar la ampolleta en cualquiera de los compartimientos:**

1. Desenchufe el refrigerador.
2. Use guantes como protección contra posibles vidrios rotos.
3. Saque el protector de la luz según sea necesario, por ejemplo cuando está sobre el compartimiento para las verduras. Reemplace la ampolleta antigua con una de la misma potencia.
4. Recuerde enchufar nuevamente el refrigerador.



## Cuidado y Limpieza (continuación)

## Sugerencias para las Vacaciones y Mudanzas

### Vacaciones cortas:

- Deje el refrigerador funcionando durante las vacaciones de 3 semanas o menos.
- Antes de partir, use todos los artículos que pueden descomponerse del compartimiento del refrigerador.
- Envuelva y guarde los otros artículos en el congelador.
- Apague la máquina automática de hacer hielo aún cuando usted vaya a estar ausente sólo unos pocos días.

### Vacaciones largas:

- Saque todos los alimentos y el hielo si va salir por 1 mes o más.
- Gire el control a la posición "OFF" y desenchufe el refrigerador.
- Apague la máquina automática de hacer hielo y gire la válvula del agua a la posición cerrada.
- Limpie el interior completamente. Deje ambas puertas abiertas para evitar que se acumule olor y hongos. Acuña la puerta abierta si es necesario.

### Mudanza:

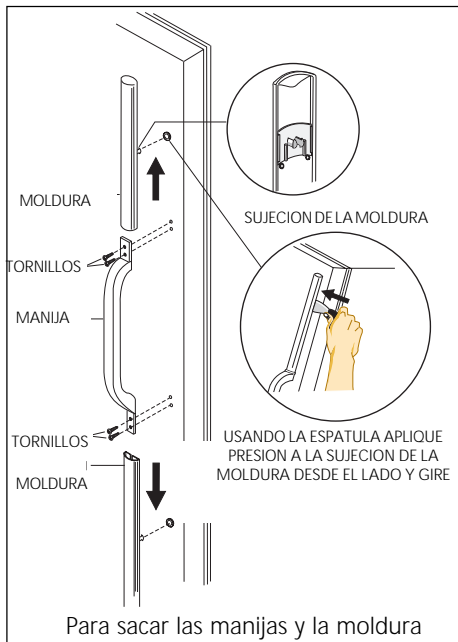
Cuando mueva el refrigerador, siga estas indicaciones para evitar daño:

- Saque todo el alimento y otros artículos tanto del refrigerador como del congelador. Saque el depósito de almacenamiento del hielo.
- Si se utiliza un carro de mano para la mudanza, cargue el refrigerador de lado.
- Gire los rodillos delanteros tan adentro como sea posible. Esto los protegerá durante la mudanza o cuando lo desliza.
- El gabinete debe estar bien protegido y manipulado con cuidado. **NO LO DEJE CAER.**

### IMPORTANTE:

Si el refrigerador se va a guardar o transportar a temperaturas de congelación, se deben vaciar completamente los sistemas de hielo y agua. No hacerlo puede resultar en fugas de agua cuando se vuelva a hacer funcionar el refrigerador. Para hacer esta operación comuníquese con un representante de servicio.

## Para Sacar las Manijas y las Puertas



*Si es necesario mover el refrigerador a través de umbrales angostos, siga estos pasos para sacar las manijas y/o las puertas del refrigerador y congelador.*

### Para Sacar las Manijas

#### Moldura de todo el Largo:

1. Usando una espátula, cuidadosamente deslice el extremo de la hoja bajo la moldura. Deslice la hoja hasta que encuentre la sujeción adhesiva de la moldura. Cuidadosamente manipule la hoja contra la sujeción de la moldura **desde el lado** como se muestra. **NOTA:** Si oprime hacia abajo la sujeción de la moldura desde arriba no la despegará.
2. Cuidadosamente empuje la espátula firmemente contra la sujeción de la moldura y gírela suavemente. La sujeción de la moldura se despegará de la puerta. (Cada pedazo de moldura tendrá dos sujeciones adhesivas.)
3. Sujete la moldura y aléjela de la manija usando un movimiento leve de lado a lado.
4. Saque los tornillos que sujetan la manija a la puerta.
5. Repita estos pasos para cada manija. Conserve los tornillos y las molduras.
6. Para colocar nuevamente las manijas, alinee las manijas con los agujeros de los tornillos, inserte los tornillos y apriete. Deslice los pedazos de moldura inferior y superior de vuelta en los extremos de las manijas y oprima las sujeciones de la moldura en los agujeros en el frente de la puerta.

### Para Sacar las Puertas

Antes de sacar las puertas, asegúrese de que el control del congelador esté en la posición "OFF." Saque todos los alimentos de las puertas y desenchufe el refrigerador. Saque la rejilla inferior.

Marque alrededor de las bisagras con un lápiz suave. Esto facilitará el realineamiento de las puertas cuando las coloque nuevamente. Saque completamente una puerta antes de comenzar a sacar la otra.

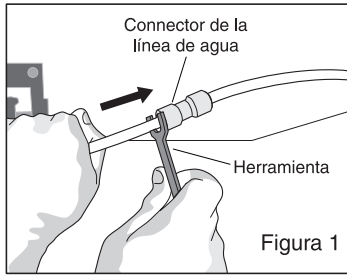


Figura 1

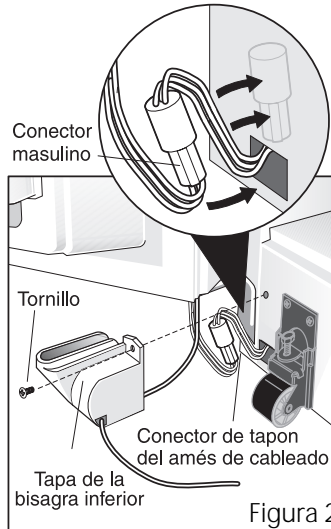


Figura 2

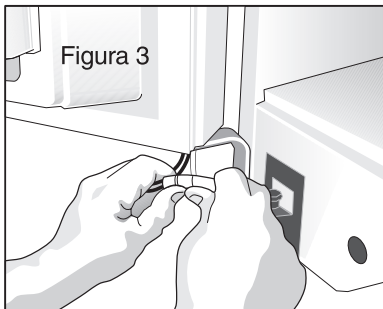


Figura 3

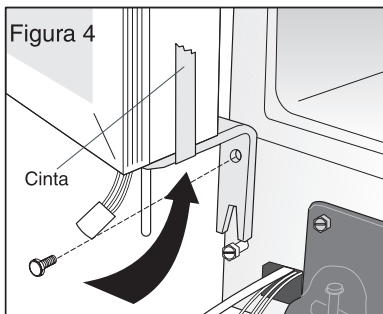


Figura 4

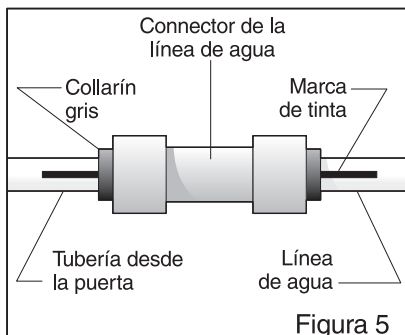


Figura 5

### Retire Puerta Del Congelador:

1. Retire la rejilla de la base (consulte "Afuera" en la sección *Cuidado y limpieza*).
2. Para desconectar la línea de agua, sujete el tubo firmemente con la mano izquierda y utilice la herramienta (ubicada en la bolsa debajo de la rejilla de la base) para empujar el collarín gris hacia adentro y liberar el conector de agua (Figura 1).
3. Retire el tornillo para quitar la tapa de la bisagra inferior (Figura 2).
4. Para desconectar el conector de tapon del arnés de cableado, coloque los pulgares en los lados planos de cada pieza del conector. Doble ambas piezas hacia atrás y hacia adelante. Luego, sujetando firmemente, jale las dos piezas para separarlas, tal como se muestra (Figura 3).
5. Coloque una tira de cinta a lo largo de la parte inferior de la puerta, sobre la bisagra inferior y a lo largo del lado de la puerta. Esto sujetará la bisagra en su sitio al retirar la puerta (Figura 4).
6. **Afloje, pero NO RETIRE el perno inferior de la bisagra inferior.** Retire el perno superior de la bisagra inferior (Figura 4).
7. Retire la tapa de la bisagra superior, levantando la parte posterior de la tapa, y deslícela hacia adelante. Retire los tornillos que sujetan el soporte de la bisagra al gabinete. Sujete el soporte al retirar el último tornillo. El mecanismo que cierra la puerta ejerce una presión leve con el resorte sobre la bisagra. **NO** retire el soporte de la bisagra de la puerta.
8. Levante la puerta con cuidado y quítela del perno de la bisagra inferior que había aflojado (Figura 4).

### Retire Puerta Del Refrigerador:

1. Retire la tapa de la bisagra superior levantando la parte posterior de la tapa y deslícela hacia adelante. Retire los tornillos que sujetan el soporte de la bisagra al gabinete. Sujete el soporte al retirar el último tornillo. El mecanismo que cierra la puerta ejerce una presión leve con el resorte sobre la bisagra. **NO** retire el soporte de la bisagra de la puerta.
2. **Afloje, pero NO RETIRE el perno inferior de la bisagra inferior.** Retire el perno superior de la bisagra inferior.
3. Levante la puerta con cuidado y quítela del perno de la bisagra inferior que había aflojado.

Almacene las puertas en un lugar seguro hasta que el refrigerador se traslade a la ubicación deseada. Guarde toda la tornillería para la reinstalación.

### Para Reinstalar La Puerta Del Congelador:

1. Coloque la puerta en la unidad y apriete los tornillos.
2. Vuelva a enchufar el conector del cableado, asegurándose de que esté bloqueado. Doble los cables como se muestra y coloque una lengüeta de cierre flexible (Figura 2). Introduzca el tubo a través del orificio en la tapa. **Posicione la tapa sobre los cables sin presionarlos.** Introduzca el tornillo para sujetar la tapa.
3. **IMPORTANTE:** Para reinstalar el conector de la línea de agua, presione el tubo de la puerta firmemente en el conector hasta que éste toque la marca negra en el tubo y se detenga (Figura 5). Este paso es crítico para asegurar que la línea de agua no tenga fugas.

### Para Reinstalar La Puerta Del Refrigerador

Para reinstalar la puerta del refrigerador, siga las instrucciones utilizadas para retirar la puerta en orden inverso.

# Lista de control de averías

Antes de llamar a un técnico de servicio, revise esta lista. Puede ahorrar tiempo y dinero. Esta lista incluye los problemas más comunes que no son el resultado de materiales o mano de obra defectuosa de este artefacto.

## PROBLEMA

## SOLUCION

### FUNCIONAMIENTO DEL REFRIGERADOR

**El compresor del refrigerador no funciona.**

El control del congelador está en "OFF". Ajuste el control del congelador. Ver **Ajuste de los Controles**.

El refrigerador está en el ciclo de descongelación. Esto es normal en un refrigerador con descongelación automática. El ciclo de descongelación ocurre periódicamente, con una duración aproximada de 20 minutos.

El enchufe está fuera del tomacorriente. Asegúrese de enchufarlo.

Un fusible del hogar está quemado o un disyuntor disparado. Revise/vuelva a posicionar el disyuntor o reemplace el fusible con un fusible de acción retardada de 15 amp.

**El refrigerador funciona demasiado o durante mucho tiempo.**

**Falla de corriente eléctrica. Revise las luces del hogar. Llame a su compañía de electricidad local.**

La temperatura de la habitación o el tiempo afuera es demasiado caliente. Es normal que el congelador funcione con más esfuerzo bajo estas condiciones.

El refrigerador ha sido recientemente desconectado por un período de tiempo. El refrigerador demora aproximadamente 8 a 12 horas en enfriarse completamente nuevamente.

La máquina automática de hacer hielo (algunos modelos) está funcionando. El funcionamiento de la máquina de hacer hielo es causa de que el refrigerador funcione un poco más.

Las puertas son abiertas con demasiada frecuencia o se dejan abiertas por mucho rato. El aire caliente que entra al refrigerador lo hace funcionar más. Abra las puertas con menos frecuencia.

La puerta del refrigerador o congelador puede estar ligeramente abierta. Asegúrese de que el refrigerador esté nivelado. Evite que los alimentos y envases bloqueen la puerta. Ver en la sección Problemas **APERTURA/CIERRE DE LAS PUERTAS/COMPARTIMENTOS**.

El control del refrigerador (que se encuentra en el compartimiento del refrigerador) está en un ajuste demasiado frío. Coloque el control del refrigerador en un ajuste más caliente hasta que la temperatura del refrigerador sea satisfactoria. Espere 24 horas para que la temperatura se estabilice.

La junta del refrigerador o del congelador está sucia, gastada, agrietada o mal ajustada. Limpie o cambie la junta. Las pérdidas a través de la junta de la puerta pueden causar que el refrigerador funcione por períodos más prolongadas para mantener la temperatura deseada.

**El compresor del refrigerador se enciende y se apaga frecuentemente.**

El termostato está manteniendo el refrigerador a una temperatura constante. Esto es normal. El refrigerador se enciende y se apaga para mantener la temperatura constante.

### TEMPERATURAS DEMASIADO FRIAS

**La temperatura en el congelador es demasiado fría y la temperatura en el refrigerador es satisfactoria.**

El control del congelador está en un ajuste demasiado frío. Coloque el control del congelador en un ajuste más caliente hasta que la temperatura del congelador sea satisfactoria. Espere 24 horas para que la temperatura se estabilice. Luego, si la temperatura del refrigerador no es correcta, coloque el control del refrigerador en un ajuste más frío.

**La temperatura en el refrigerador es demasiado fría y la temperatura en el congelador es satisfactoria.**

El control del refrigerador está en un ajuste demasiado frío. Coloque el control del refrigerador en un ajuste más caliente. Deje pasar 24 horas para que la temperatura se estabilice.

**Los alimentos guardados en los compartimientos se congelan.**

El control del refrigerador está en un ajuste demasiado frío. Vea la solución indicada anteriormente.

**Los alimentos guardados en el Compartimiento de la Carne (algunos modelos) se congela.**

La carne debe ser guardada a una temperatura justo bajo el punto de congelación del agua (32°F, 0°C) para que se conserve fresca por un mayor tiempo. Es normal que se formen cristales de hielo debido al contenido de humedad de la carne.

El Control del Aire Helado está ajustado a demasiado frío. Ajuste el Control del Aire Helado a un ajuste menos frío.

### TEMPERATURAS DEMASIADO CALIENTES

**La temperatura en el congelador o refrigerador es demasiado caliente.**

Las puertas son abiertas con demasiada frecuencia o por mucho tiempo. El aire caliente entra al refrigerador cuando la puerta está abierta. No abra la puerta tan a menudo.

La puerta está ligeramente abierta. Ver en la sección Problemas **APERTURA/CIERRE DE LAS PUERTAS/COMPARTIMENTOS**.

El condensador está sucio. Limpie el condensador. Ver Limpieza Exterior en la sección **Cuidado y Limpieza**.

## PROBLEMA

## SOLUCION

### TEMPERATURAS DEMASIADO CALIENTES (continuación)

La temperatura en el congelador es demasiado caliente.

El control del congelador está ajustado a una temperatura demasiado caliente. Coloque el control del congelador en un ajuste más frío hasta que la temperatura del congelador sea satisfactoria. Deje pasar 24 horas para que la temperatura se estabilice. Luego, si la temperatura del refrigerador no es correcta, coloque el control del refrigerador a un ajuste más caliente.

La temperatura en el refrigerador es demasiado caliente y la temperatura del congelador es satisfactoria.

El control del refrigerador está ajustado demasiado caliente. Coloque el control del refrigerador en un ajuste más frío. Deje pasar 24 horas para que la temperatura se estabilice.

La temperatura en el Compartimiento de la Carne (algunos modelos) es demasiado caliente.

El Control del Aire Helado está demasiado caliente. Ajuste el Control del Aire Helado a un ajuste más frío.

### AGUA/HUMEDAD/ESCARCHA DENTRO DEL REFRIGERADOR

Se acumula humedad en el interior de las paredes del refrigerador.

El tiempo está caluroso y húmedo lo cual aumenta la acumulación de escarcha y transpiración interna. Esto es normal.

La puerta está ligeramente abierta. Ver en la sección Problemas **APERTURA/CIERRE DE LAS PUERTAS/COMPARTIMENTOS**.

La puerta se abre a menudo o por mucho tiempo. Abra la puerta con menos frecuencia.

Se junta agua en lado inferior de la tapa del compartimiento.

Las verduras contienen y despiden humedad.No es raro que haya humedad en la parte inferior de la tapa.

Se junta agua en la parte inferior del compartimiento.

Las verduras y las frutas lavadas se desaguan cuando están en el compartimiento.Seque los alimentos antes de colocarlos en el compartimiento. El agua que se junta en el fondo del compartimiento es normal.

### AGUA/HUMEDAD/ESCARCHA FUERA DEL REFRIGERADOR

Se forma humedad en la parte exterior del refrigerador o entre las puertas.

El tiempo está húmedo. Cuando el tiempo no esté tan húmedo esta humedad debería desaparecer.

La puerta está ligeramente abierta permitiendo que el aire frío del interior del refrigerador se una al aire tibio de afuera. Ver en la sección Problemas **APERTURA/CIERRE DE LAS PUERTAS/COMPARTIMENTOS**.

### MAQUINA AUTOMATICA DE HACER HIELO (algunos modelos)

La máquina de hacer hielo no hace hielo.

El brazo de alambre de la máquina de hacer hielo está en la posición "up" u "OFF." Mueva el brazo de alambre a la posición "down" u "ON."

La válvula de la tubería del agua del hogar no está abierta. Abra la llave del agua.

El congelador no está lo suficientemente frío. Ver en la sección Problemas **TEMPERATURAS DEMASIADO CALIENTES**.

La válvula en la tubería del agua fría está bloqueada o restringida por materias extrañas. Cierre la llave del agua del hogar. Saque limpie o reemplace la válvula.

Determine si el distribuidor de agua dispensa agua. Si no, el filtro de agua se atasca o está restringido por algún material extranjero, y debe estar reemplazado.

La máquina de hacer hielo no hace suficiente hielo.

La máquina de hacer hielo está produciendo menos hielo que lo esperado. La máquina de hacer hielo debe producir aproximadamente 2 1/2 a 4 libras de hielo cada 24 horas.

El congelador no está lo suficientemente frío. Ver en la sección Problemas **TEMPERATURAS DEMASIADO CALIENTES**.

La llave del agua del hogar no está completamente abierta. Abra la llave del agua del hogar.

La llave del agua del refrigerador está bloqueada por materias extrañas. Ver en la sección Problemas **La máquina de hacer hielo no hace suficiente hielo**.

Determine si el distribuidor de agua dispensa más despacio que normalmente. Si es así , reemplace el filtro de agua.

La máquina de hacer hielo no deja de hacer hielo.

La manecilla de alambre de la máquina de hacer hielo está aplastada hacia abajo por un artículo en el congelador. Saque el artículo y desenganche la manecilla. Saque los cubos de hielo que están congelados sobre la manecilla.

La máquina de hacer hielo no separa los cubos.

Los cubos de hielo no están siendo usados con demasiada frecuencia. Saque y sacuda el recipiente del hielo para separar los cubos.

Si los cubos son más pequeños que los normales, o tienen huecos, el filtro de agua podría estar atascado. Reemplace el filtro.

El hielo tiene un olor y gusto desagradable.

El hielo ha tomado el olor o el sabor del alimento fuerte guardado en el refrigerador o en el congelador. Cubra bien los alimentos. Descarte el hielo antiguo. La máquina de hacer hielo producirá un lote fresco.

El agua que va a la máquina de hacer hielo tiene gusto o sabor malo. Agregue un filtro a la máquina de hacer hielo. Consulte a una compañía de purificación de agua.

## PROBLEMA

## SOLUCION

### DISTRIBUIDOR DE HIELO

**El distribuidor de hielo no produce hielo.**

El depósito del hielo está vacío. Cuando caiga el primer lote de hielo en el depósito, el distribuidor comenzará a funcionar.

La temperatura en el congelador está demasiado caliente. Gire el control del congelador a un ajuste más elevado de manera que se puedan hacer cubos de hielo. Cuando el primer lote de hielo sea hecho, el distribuidor comenzará a funcionar.

La llave de la tubería del agua del hogar no está abierta. Abra la llave y deje pasar suficiente tiempo para que el hielo se haga. Cuando el hielo sea hecho, el distribuidor debiera funcionar.

La puerta del congelador no está cerrada. Asegúrese de que la puerta del congelador esté cerrada.

La palanca que distribuye el hielo ha sido oprimida por más de 4 a 5 minutos. El motor está sobrecargado. El protector de sobrecarga del motor se reposicionará en aproximadamente 3 minutos. El hielo entonces puede comenzar a caer.

**El distribuidor de hielo está obstruido.**

El hielo se ha derretido y congelado alrededor del tornillo sin fin debido a uso poco frecuente, a las fluctuaciones de la temperatura y/o a las fallas de electricidad. Saque el depósito del hielo, descongele y vacíe su contenido. Limpie el depósito, séquelo y vuélvalo a colocar en su lugar. Cuando se haga el hielo nuevo, el distribuidor debiera funcionar.

Los cubos de hielo están obstruidos entre la manecilla de alambre de la máquina de hacer hielo y la parte de atrás del depósito. Saque los cubos de hielo que están obstruyendo el distribuidor.

Los cubos de hielo se han congelado juntos. Use el distribuidor a menudo para que los cubos no se congelen juntos.

Si los cubos son más pequeños que los normales, o tienen huecos, el filtro de agua podría estar atascado. Reemplace el filtro. La presión del agua debe ser entre 30 lbs/pulg.<sup>2</sup> y 120 lbs/pulg.<sup>2</sup>.

### DISTRIBUIDOR DE HIELO

**El distribuidor no distribuye agua.**

La llave del agua del hogar no está abierta. Abra la llave del agua del hogar. Ver en la sección Problemas **La máquina de hacer hielo no hace suficiente hielo.**

La puerta del congelador no está cerrada. Asegúrese de cerrar la puerta del congelador.

El filtro de agua se atasca y debe estar reemplazado.

**El agua tiene un sabor y/u olor extraño.**

El agua ha estado en el depósito por un período de tiempo. Saque y descarte 7 a 8 vasos de agua para refrescar el suministro. Saque y descarte de 3 a 6 vasos adicionales para enjuagar completamente el depósito.

El refrigerador no está debidamente conectado a la tubería del agua fría. Conecte el refrigerador a la tubería del agua fría que suministra agua a la llave de la cocina.

La tubería usada en el agua del hogar y la instalación del refrigerador pueden afectar el sabor y el olor del agua. Para mejores resultados, use una tubería de cobre para la conexión del agua.

El agua tiene un alto contenido de minerales. Póngase en contacto con una planta de tratamiento de agua para solicitar ayuda.

**No hay mucha presión de agua.**

Pídale a alguien que dirija hacia arriba la presión "encendida" y "apagada" del sistema de bomba de agua.

### OLORES EN EL REFRIGERADOR

El interior necesita ser limpiado. Limpie el interior con una esponja, agua tibia y bicarbonato de soda.

Existen alimentos con olor fuerte en el refrigerador o congelador. Cubra los alimentos.

### APERTURA/CIERRE DE LAS PUERTAS/COMPARTIMENTOS

**La(s) puerta(s) no cierra(n).**

La puerta no está diseñada para cerrarse automáticamente. Cierre la puerta firmemente.

La puerta fué cerrada demasiado fuerte causando que quedara ligeramente abierta. Cierre ambas puertas suavemente.

El refrigerador no está nivelado. Se mece en el piso cuando se mueve ligeramente. Asegúrese de que el piso esté nivelado y firme y que pueda soportar el refrigerador adecuadamente. Ajuste los rodillos como sea necesario.

El piso está disperejo o débil. El refrigerador se mece en el piso cuando se mueve ligeramente. Asegúrese de que el piso esté nivelado y que pueda soportar el refrigerador adecuadamente. Póngase en contacto con un carpintero para corregir los pisos en pendientes o cóncavos.

El refrigerador está tocando la pared o los armarios. Asegúrese de que el piso esté nivelado y que pueda soportar adecuadamente el peso del refrigerador. Póngase en contacto con un carpintero para corregir los pisos en pendientes o cóncavos.

**Los compartimentos son difíciles de mover.**

El alimento está tocando la parrilla en la parte superior del compartimiento. Coloque menos alimento en el compartimiento.

El riel por el cual se desliza el compartimiento está sucio. Limpie el compartimiento, los rodillos y el riel.



## PROBLEMA

## SOLUCION

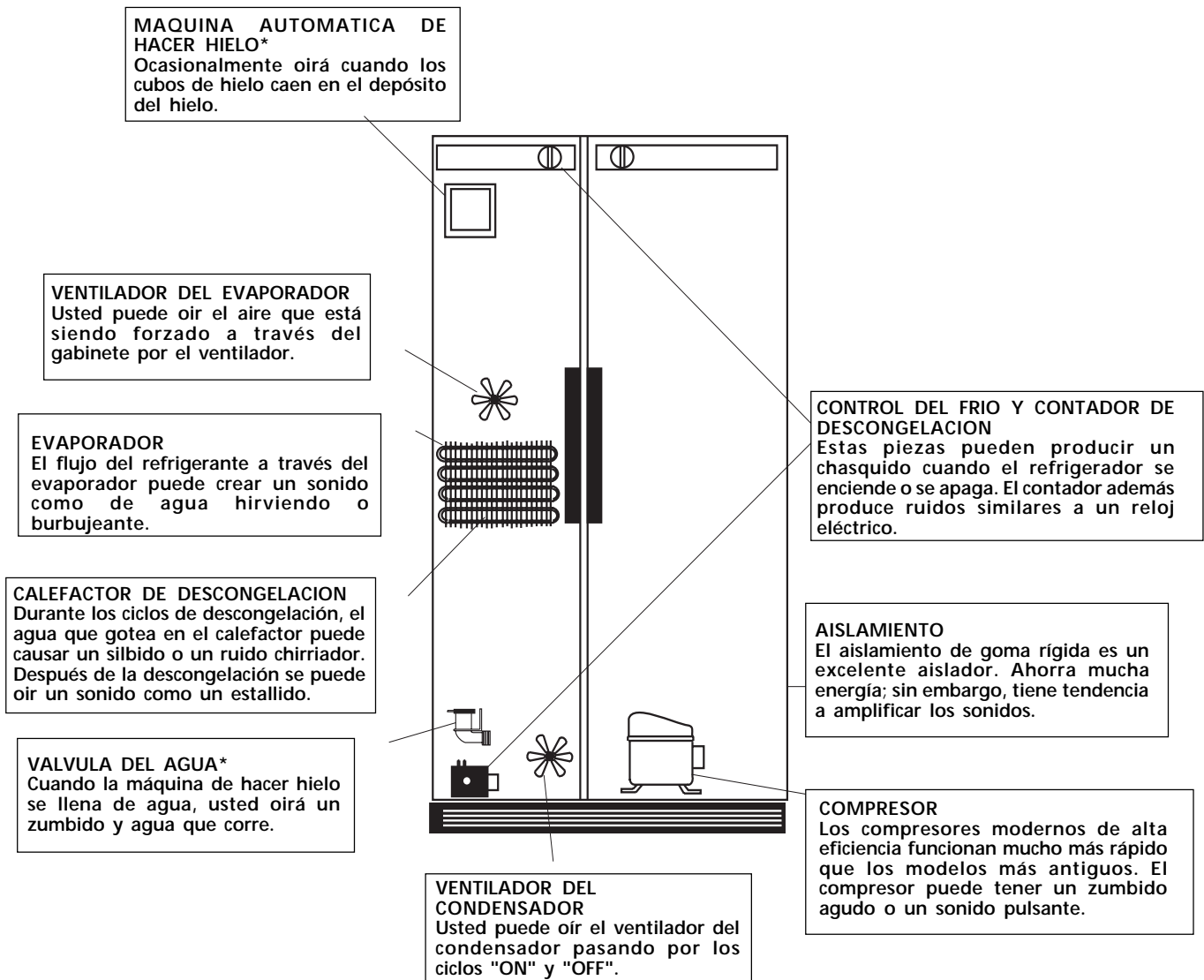
LA AMPOLLETA NO ESTA ENCENDIDA

La ampolleta está quemada. Reemplace la ampolleta.

El interruptor de la luz está atascado. El interruptor de la luz está ubicado en el interior del marco de la puerta junto al control de la temperatura de cada compartimento. Empuje el botón para soltarlo.

No llega corriente eléctrica al refrigerador. Ver en la sección Problemas **FUNCIONAMIENTO DEL REFRIGERADOR**.

## Sonidos Normales del Funcionamiento



\* En los modelos equipados con una máquina automática de hacer hielo.

# GARANTIA DEL REFRIGERADOR FRIGIDAIRE

Su producto White Westinghouse está protegido por esta garantía

	PERIODO DE GARANTIA	LA RESPONSABILIDAD DE FRIGIDAIRE A TRAVES DE NUESTROS TECNICOS AUTORIZADOS SERA:	EL CONSUMIDOR SERA RESPONSABLE DE LO SIGUIENTE:
<b>GARANTIA COMPLETA DE UN AÑO</b>	Un año desde la fecha de compra original.	Pagar todos los costos de reparación o reemplazo de cualquier pieza de este artefacto que resulte defectuosa en material o mano de obra. Excluye el filtro de agua y hielo original y de reemplazo (si equipado con un sistema de filtración). Los filtros de reemplazo y original se garantizan por 30 días (piezas solamente).	Costo de las llamadas de servicio que están enumeradas bajo <b>RESPONSABILIDADES NORMALES DEL CLIENTE.</b> *
<b>GARANTIA LIMITADA AL 2º - 5º AÑO (Revestimiento del Gabinete y Sistema Sellado)</b>	Desde el segundo hasta el quinto año de la fecha original.	Reparar o reemplazar cualquier pieza en el revestimiento del gabinete o el en Sistema de Refrigeración Sellado (compresor, condensador, evaporador, secador y tubería) que resulte defectuosa en material o mano de obra.	Costo de recoger y entregar el artefacto requerido debido a la reparación, costos de la mano de obra, repuestos y transporte que no tengan relación con el revestimiento del gabinete o con el Sistema de Refrigeración Sellado.
<b>GARANTIA LIMITADA (Aplicable en el Estado de Alaska)</b>	Los períodos de tiempo indicados anteriormente.	Todas las disposiciones para las garantías completas anteriormente indicadas y las exclusiones que se indican a continuación.	Los costos del viaje del técnico al hogar y cualquier costo por recoger y entregar el artefacto que necesita ser reparado.

## COBERTURA ADICIONAL PARA EL DISTRIBUIDOR DE HIELO Y AGUA "A TRAVES DE LA PUERTA" Y/O LOS MODELOS CON DISTRIBUIDOR DE HIELO SOLAMENTE:

	PERIODO DE GARANTIA	LA RESPONSABILIDAD DE FRIGIDAIRE A TRAVES DE NUESTROS TECNICOS AUTORIZADOS SERA:	EL CONSUMIDOR SERA RESPONSABLE DE LO SIGUIENTE:
<b>GARANTIA COMPLETA DE DOS AÑOS (Máquina de hacer Hielo y Sistema Distribuidor)</b>	Durante el segundo año desde la fecha de compra original.	Reparar o reemplazar, sin costo alguno, cualquier pieza(s) de la máquina de hacer hielo y/o del sistema distribuidor que resulte defectuosa en material o mano de obra y todo el costo por mano de obra asociado por tal reparación.	Costos para recoger y entregar el artefacto requerido para reparación. Los costos de mano de obra, piezas y transporte que no estén relacionados con la máquina de hacer hielo y el sistema de distribución.

Su artefacto está garantizado por White Consolidated Industries, Inc. No autorizamos a ninguna persona a cambiar o agregar ninguna de nuestras obligaciones bajo esta garantía. Cualquier obligación de reparación y repuestos bajo esta garantía debe ser efectuada por Frigidaire o por un técnico autorizado de Frigidaire.

**\*RESPONSABILIDADES NORMALES DEL CLIENTE** Esta garantía se aplica solamente a los productos que son usados para propósitos domésticos normales y el consumidor se responsabiliza de lo indicado a continuación:

1. Uso correcto del artefacto de acuerdo con las instrucciones proporcionadas con el producto.
2. Instalación correcta por un técnico autorizado de acuerdo con las instrucciones proporcionadas con el artefacto y de acuerdo con todos los códigos locales de plomería, electricidad y/o gas.
3. Conexión correcta a una fuente de energía de voltaje suficiente conectada a tierra, reemplazo de fusibles quemados, reparación de conexiones sueltas o defectos en el alambrado de la casa.
4. Gastos para facilitar el acceso al artefacto para su reparación, tales como remoción de molduras, de estantes, armarios, etc. que no eran parte del artefacto cuando fué enviado de la fábrica.
5. Daños al acabado después de la instalación.
6. Reemplazo de ampollitas y/o tubos fluorescentes (en los modelos con estas características).

### EXCLUSIONES

Esta garantía no cubre lo siguiente:

1. DAÑOS CONSECUTIVOS O INCIDENTALES TALES COMO DAÑOS MATERIALES Y GASTOS INCIDENTALES RESULTANTES DE CUALQUIER INCUMPLIMIENTO DE ESTA U OTRA GARANTIA ESCRITA O IMPLICITA.  
*Nota: En algunos estados no se permite la exclusión o limitación de los daños incidentales o consecuentes, por tanto esta limitación o exclusión puede que no se aplique en su caso.*
2. Llamadas de servicio que no se relacionen con malfuncionamiento o defectos en mano de obra o material o para artefactos que no son usados en el hogar. El consumidor pagará por tales llamadas de servicio.
3. Daños causados por servicios realizados por personas que no son los técnicos autorizados de Frigidaire; el uso de piezas que no sean los repuestos genuinos de la Compañía Frigidaire; obtenido de personas que no sean los técnicos o causas externas tales como abuso, mal uso, suministro eléctrico inadecuado o actos imprevistos.
4. Los productos con números de serie originales que han sido sacados o alterados y no pueden ser fácilmente leídos.

### SI USTED NECESITA SERVICIO

Conserve su boleta de compra, la boleta de entrega o algún otro registro de pago apropiado. La fecha en el recibo establece el período de garantía en caso de que necesite reparación. Si el servicio es realizado, es para su propio interés obtener y conservar todos los recibos. Esta garantía escrita le otorga derechos legales específicos. Usted también puede tener otros derechos que varían de un estado a otro. Para la reparación bajo esta garantía, póngase en contacto con Frigidaire Home Products a:

800-944-9044  
Frigidaire Home Products  
P.O. Box 212378  
Augusta, GA 30917



Las características o especificaciones del producto, descritas o ilustradas, están sujetas a cambios sin aviso. Todas las garantías son otorgadas por White Consolidated Industries, Inc. Esta garantía es válida solamente para los 50 estados de los EE.UU. y Puerto Rico.

