

Owner's Manual



**Permanently Lubricated
Single Stage
Portable
AIR COMPRESSOR**

**Model No.
919.167312**

- **Safety Guidelines**
- **Assembly**
- **Operation**
- **Maintenance**
- **Service and Adjustments**
- **Troubleshooting**
- **Repair Parts**

CAUTION: Read the Safety Guidelines
and All Instructions Carefully Before
Operating.

Sears, Roebuck and Co., Hoffman Estates, IL 60179 U.S.A.
Visit our Craftsman website: www.sears.com/craftsman

TABLE OF CONTENTS

WARRANTY	2
SPECIFICATION CHART	3
SAFETY GUIDELINES	3-8
GLOSSARY	9
ACCESSORIES	9
DUTY CYCLE	9
ASSEMBLY	10
INSTALLATION	11-12
OPERATION	13-15
MAINTENANCE	16-17
SERVICE AND ADJUSTMENTS	18-19
STORAGE	20
TROUBLESHOOTING GUIDE	21-23
REPAIR PARTS	24-27
ESPAÑOL	28-49
NOTES/NOTAS	50-51
HOW TO ORDER REPAIR PARTS	back cover

WARRANTY

FULL ONE YEAR WARRANTY AIR COMPRESSOR

If this CRAFTSMAN Air Compressor fails due to a defect in material or workmanship within one year from the date of purchase, Sears will at its option repair or replace it free of charge. Contact your nearest Sears Service Center (1-800-4-MY-HOME®) to arrange for repair, or return the Air Compressor to the place of purchase for replacement.

If this Air Compressor is used for commercial or rental purposes, this warranty applies for only ninety days from the date of purchase.

This warranty gives you specific legal rights and you may have other rights which vary from state to state.

Sears, Roebuck and Co., Dept. 817WA, Hoffman Estates, IL 60179

SPECIFICATION CHART

Model No.	919-167312
Max. Developed HP	6.0
Running HP	2.0
Bore	2.38"
Stroke	1.35"
Voltage-Single Phase	120V/60HZ/1PH
Minimum Branch Circuit Requirement	15 amps
Fuse Type	Time Delay
Air Tank Capacity	30
Approx. Cut-In	120
Approx. Cut-out	150
SCFM @ 40 psig	8.6
SCFM @ 90 psig	6.4

SAFETY GUIDELINES - DEFINITIONS

This manual contains information that is important for you to know and understand. This information relates to protecting **YOUR SAFETY** and **PREVENTING EQUIPMENT PROBLEMS**. To help you recognize this information, we use the symbols below. Please read the manual and pay attention to these sections.

<p>▲ DANGER Indicates an imminently hazardous situation which, if not avoided, will result in death or serious injury.</p>	<p>▲ CAUTION Indicates a potentially hazardous situation which, if not avoided, may result in minor or moderate injury.</p>
<p>▲ WARNING Indicates a potentially hazardous situation which, if not avoided, could result in death or serious injury.</p>	<p>CAUTION Used without the safety alert symbol indicates a potentially hazardous situation which, if not avoided, may result in property damage.</p>

IMPORTANT SAFETY INSTRUCTIONS



SAVE THESE INSTRUCTIONS



IMPROPER OPERATION OR MAINTENANCE OF THIS PRODUCT COULD RESULT IN SERIOUS INJURY AND PROPERTY DAMAGE. READ AND UNDERSTAND ALL WARNINGS AND OPERATING INSTRUCTIONS BEFORE USING THIS EQUIPMENT.

▲ WARNING Some dust created by power sanding, sawing, grinding, drilling, and other construction activities contains chemicals known (to the State of California) to cause cancer, birth defects or other reproductive harm. Some example of these chemicals are:

- lead from lead-based paints
- crystalline silica from bricks and cement and other masonry products
- arsenic and chromium from chemically-treated lumber

Your risk from these exposures varies, depending on how often you do this type of work. To reduce your exposure to these chemicals: work in a well ventilated area, and work with approved safety equipment, always wear **MSHA/NIOSH** approved, properly fitting face mask or respirator when using such tools.

When using air tools, basic safety precautions should always be followed to reduce the risk of personal injury.

IMPORTANT SAFETY INSTRUCTIONS



Save these instructions



Improper operation or maintenance of this product could result in serious injury and property damage. Read and understand all warnings and operation instructions before using this equipment.

HAZARD

WARNING: Risk of explosion or fire



What Could Happen	How To Prevent It
<p>It is normal for electrical contacts within the motor and pressure switch to spark.</p>	<p>Always operate the compressor in a well ventilated area free of combustible materials, gasoline, or solvent vapors.</p>
<p>If electrical sparks from compressor come into contact with flammable vapors, they may ignite, causing fire or explosion.</p>	<p>If spraying flammable materials, locate compressor at least 20 feet away from spray area. An additional length of hose may be required.</p> <p>Store flammable materials in a secure location away from compressor.</p>
<p>Restricting any of the compressor ventilation openings will cause serious overheating and could cause fire.</p>	<p>Never place objects against or on top of compressor. Operate compressor in an open area at least 12 inches away from any wall or obstruction that would restrict the flow of fresh air to the ventilation openings.</p> <p>Operate compressor in a clean, dry well ventilated area. Do not operate unit indoors or in any confined area.</p>
<p>Unattended operation of this product could result in personal injury or property damage. To reduce the risk of fire, do not allow the compressor to operate unattended.</p>	<p>Always remain in attendance with the product when it is operating.</p> <p>Always disconnect electrical power by moving pressure switch lever to the off position and drain tank daily or after each use.</p>

HAZARD

WARNING: Risk of Bursting



Air Tank: The following conditions could lead to a weakening of the tank, and result in a violent tank explosion and could cause property damage or serious injury.

What Could Happen	How To Prevent It
1. Failure to properly drain condensed water from tank, causing rust and thinning of the steel tank.	Drain tank daily or after each use. If tank develops a leak, replace it immediately with a new tank or replace the entire compressor.
2. Modifications or attempted repairs to the tank. 3. Unauthorized modifications to the unloader valve, safety valve, or any other components which control tank pressure.	Never drill into, weld, or make any modifications to the tank or its attachments.
4. Excessive vibration can weaken the air tank and cause rupture or explosion	The tank is designed to withstand specific operating pressures. Never make adjustments or parts substitutions to alter the factory set operating pressures.
<u>ATTACHMENTS & ACCESSORIES:</u> Exceeding the pressure rating of air tools, spray guns, air operated accessories, tires, and other inflatables can cause them to explode or fly apart, and could result in serious injury.	For essential control of air pressure, you must install a pressure regulator and pressure gauge to the air outlet (if not equipped) of your compressor. Follow the equipment manufacturers recommendation and never exceed the maximum allowable pressure rating of attachments. Never use compressor to inflate small low pressure objects such as children's toys, footballs, basketballs, etc.

HAZARD

WARNING: Risk from Flying Objects



WHAT CAN HAPPEN	HOW TO PREVENT IT
The compressed air stream can cause soft tissue damage to exposed skin and can propel dirt, chips, loose particles, and small objects at high speed, resulting in property damage or personal injury.	Always wear ANSI Z87.1 approved safety glasses with side shields when using the compressor. Never point any nozzle or sprayer toward any part of the body or at other people or animals. Always turn the compressor off and bleed pressure from the air hose and tank before attempting maintenance, attaching tools or accessories.

HAZARD

WARNING: Risk of Electrical Shock



WHAT CAN HAPPEN	HOW TO PREVENT IT
Your air compressor is powered by electricity. Like any other electrically powered device, if it is not used properly it may cause electric shock.	Never operate the compressor outdoors when it is raining or in wet conditions. Never operate compressor with protective covers removed or damaged.
Repairs attempted by unqualified personnel can result in serious injury or death by electrocution.	Any electrical wiring or repairs required on this product should be performed by authorized service center personnel in accordance with national and local electrical codes.
Electrical Grounding: Failure to provide adequate grounding to this product could result in serious injury or death from electrocution. See grounding instructions.	Make certain that the electrical circuit to which the compressor is connected provides proper electrical grounding, correct voltage and adequate fuse protection.

HAZARD

WARNING: Risk to Breathing



WHAT CAN HAPPEN	HOW TO PREVENT IT
The compressed air directly from your compressor is not safe for breathing. The air stream may contain carbon monoxide, toxic vapors, or solid particles from the tank. Breathing these contaminants can cause serious injury or death.	Air obtained directly from the compressor should never be used to supply air for human consumption. In order to use air produced by this compressor for breathing, suitable filters and in-line safety equipment must be properly installed. In-line filters and safety equipment used in conjunction with the compressor must be capable of treating air to all applicable local and federal codes prior to human consumption.
Sprayed materials such as paint, paint solvents, paint remover, insecticides, weed killers, may contain harmful vapors and poisons.	Work in an area with good cross ventilation. Read and follow the safety instructions provided on the label or safety data sheets for the materials you are spraying. Use a NIOSH/ MSHA approved respirator designed for use with your specific application.

HAZARD

WARNING: RISK OF BURNS



WHAT CAN HAPPEN	HOW TO PREVENT IT
Touching exposed metal such as the compressor head or outlet tubes, can result in serious burns.	Never touch any exposed metal parts on compressor during or immediately after operation. Compressor will remain hot for several minutes after operation. Do not reach around protective shrouds or attempt maintenance until unit has been allowed to cool.

HAZARD

WARNING: RISK FROM MOVING PARTS



WHAT CAN HAPPEN	HOW TO PREVENT IT
Moving parts such as the pulley, flywheel, and belt can cause serious injury if they come into contact with you or your clothing.	Never operate the compressor with guards or covers which are damaged or removed.
Attempting to operate compressor with damaged or missing parts or attempting to repair compressor with protective shrouds removed can expose you to moving parts and can result in serious injury.	Any repairs required on this product should be performed by authorized service center personnel.

HAZARD

WARNING: RISK OF FALLING



WHAT CAN HAPPEN	HOW TO PREVENT IT
A portable compressor can fall from a table, workbench or roof causing damage to the compressor and could result in serious injury or death to the operator.	Always operate compressor in a stable secure position to prevent accidental movement of the unit. Never operate compressor on a roof or other elevated position. Use additional air hose to reach high locations.

HAZARD

WARNING: RISK OF SERIOUS INJURY OR PROPERTY DAMAGE WHEN TRANSPORTING COMPRESSOR

(Fire, Inhalation, Damage to Vehicle Surfaces)



WHAT CAN HAPPEN	HOW TO PREVENT IT
Oil can leak or spill and could result in fire or breathing hazard; serious injury or death can result. Oil leaks will damage carpet, paint or other surfaces in vehicles or trailers.	Always place compressor on a protective mat when transporting to protect against damage to vehicle from leaks. Remove compressor from vehicle immediately upon arrival at your destination.

HAZARD

WARNING: RISK OF UNSAFE OPERATION



WHAT CAN HAPPEN	HOW TO PREVENT IT
<p>Unsafe operation of your air compressor could lead to serious injury or death to you or others.</p>	<p>Review and understand all instructions and warnings in this manual. Become familiar with the operation and controls of the air compressor. Keep operating area clear of all persons, pets, and obstacles. Keep children away from the air compressor at all times. Do not operate the product when fatigued or under the influence of alcohol or drugs. Stay alert at all times. Never defeat the safety features of this product. Equip area of operation with a fire extinguisher. Do not operate machine with missing, broken, or unauthorized parts.</p>

GLOSSARY

Become familiar with these terms before operating the unit.

CFM: Cubic feet per minute.

SCFM: Standard cubic feet per minute; a unit of measure of air delivery.

PSIG: Pounds per square inch gauge; a unit of measure of pressure.

Code Certification: Products that bear one or more of the following marks: UL, CUL, ETL, CETL, have been evaluated by OSHA certified independent safety laboratories and meet the applicable Underwriters Laboratories Standards for Safety.

Cut-In Pressure: While the motor is off, air tank pressure drops as you continue to use your accessory.

When the tank pressure drops to a certain low level the motor will restart automatically. The low pressure at which the motor automatically restarts is called "cut-in" pressure.

Cut-Out Pressure: When an air compressor is turned on and begins to run, air pressure in the air tank begins to build. It builds to a certain high pressure before the motor automatically shuts off, protecting your air tank from pressure higher than its capacity. The high pressure at which the motor shuts off is called "cut-out" pressure.

Branch Circuit: Circuit carrying electricity from electrical panel to outlet.

ACCESSORIES

This unit is capable of powering the following Accessories. The accessories are available through the current Power and Hand Tool Catalog or full-line Sears stores.

Accessories

- In Line Filter
- Tire Air Chuck
- Quick Connector Sets (various sizes)
- Air Pressure Regulators

- Oil Fog Lubricators
- Air Hose: 1/4", 3/8" or 1/2" I.D. in various lengths

Refer to the selection chart located on the unit to select the tools this unit is capable of powering.

DUTY CYCLE

This air compressor pump is capable of running continuously. However, to prolong the life of your air compressor, it is recommended that a 50%-75% average duty cycle be

maintained; that is, the air compressor pump should not run more than 30-45 minutes in any given hour.

ASSEMBLY

Contents of Carton

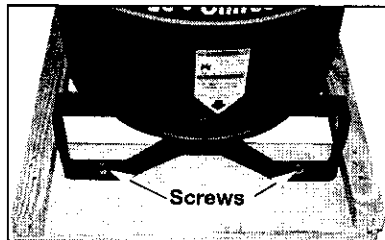
- 1 - Air Compressor
- 2 - Wheels
- 2 - Shoulder Bolts, 3/8-16
- 2 - Hex Nuts, 3/8-16
- 2 - Rubber Bumpers
- 2 - Screws, 1/4-20 x .75"

Tools Required for Assembly

- 1 - 9/16" socket or open end wrench
- 1 - 1/2" socket or open end wrench

Unpacking

1. Remove all packaging leaving the air compressor on the pallet.
2. Remove and discard the (4) screws holding the air compressor to the pallet.



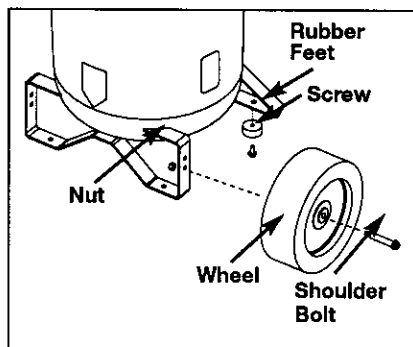
CAUTION It may be necessary to brace or support one side of the air compressor when removing the pallet because the air compressor will have a tendency to tip.

3. Carefully remove the air compressor from the pallet.

Assemble Wheels

CAUTION It will be necessary to brace or support one side of the air compressor when installing the wheels because the compressor will have a tendency to tip.

1. Attach wheels with shoulder bolts and nuts as shown.



2. Tighten securely. **NOTE:** The air compressor will sit level if the wheels are properly installed.

CAUTION The wheels and handle do not provide adequate clearance, stability or support for pulling the unit up and down stairs or steps. The unit must be lifted, or pushed up a ramp.

Assemble Rubber Feet

1. Attach rubber feet with the screws provided as shown in previous figure.
2. Tighten securely.

INSTALLATION

HOW TO SET UP YOUR UNIT

Location of the Air Compressor

Locate the air compressor in a clean, dry and well ventilated area. The air compressor should be located at least 12" away from the wall or other obstructions that will interfere with the flow of air. The air compressor pump and shroud are designed to allow for proper cooling. The ventilation openings on the compressor are necessary to maintain proper operating temperature. Do not place rags or other containers on or near these openings. The air filter must be kept clear of obstructions which could reduce air flow to the air compressor.

GROUNDING INSTRUCTIONS

⚠ DANGER Risk of Electrical Shock. In the event of a short circuit, grounding reduces the risk of shock by providing an escape wire for the electric current. This air compressor must be properly grounded.

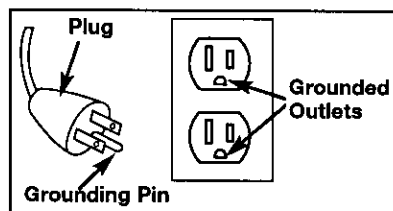
The portable air compressor is equipped with a cord having a grounding wire with an appropriate grounding plug (see following illustrations). The plug must be used with an outlet that has been installed and grounded in accordance with all local codes and ordinances.

1. The cord set and plug with this unit contains a grounding pin.

This plug **MUST** be used with a grounded outlet.

IMPORTANT: The outlet being used must be installed and grounded in accordance with all local codes and ordinances.

2. Make sure the outlet being used has the same configuration as the grounded plug. **DO NOT USE AN ADAPTER.** See illustration.



3. Inspect the plug and cord before each use. Do not use if there are signs of damage.
4. If these grounding instructions are not completely understood, or if in doubt as to whether the compressor is properly grounded, have the installation checked by a qualified electrician.

⚠ DANGER Risk of Electrical Shock. Improper grounding can result in electrical shock.

Do not modify the plug provided. If it does not fit the available outlet, a correct outlet should be installed by a qualified electrician.

Repairs to the cord set or plug MUST be made by a qualified electrician.

Extension Cords

Using extension cords is not recommended. The use of extension cords will cause voltage to drop resulting in power loss to the motor and overheating.

Instead of using an extension cord, increase the working reach of the air hose by attaching

If an extension cord must be used, be sure it is:

- a 3-wire extension cord that has a 3-blade grounding plug, and a 3-slot receptacle that will accept the plug on the product
- in good condition
- no longer than 50 feet
- 12 gauge (AWG) or larger. (Wire size increases as gauge number decreases. 10 AWG and 8 AWG may also be used. DO NOT USE 14 OR 16 AWG.)

Voltage and Circuit Protection

Refer to the Parts Manual for the voltage and minimum branch circuit requirements.

⚠ CAUTION Risk of Unsafe Operation. Certain air compressors can be operated on a 15 amp circuit if the following conditions are met.

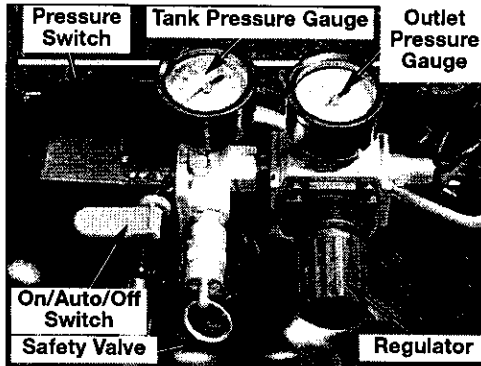
1. Voltage supply to circuit must comply with the National Electrical Code.
2. Circuit is not used to supply any other electrical needs.
3. Extension cords comply with specifications.
4. Circuit is equipped with a 15 amp circuit breaker or 15 amp time delay fuse. **NOTE:** If compressor is connected to a circuit protected by fuses, use only time delay fuses. Time delay fuses should be marked "D" in Canada and "T" in the US.

If any of the above conditions cannot be met, or if operation of the compressor repeatedly causes interruption of the power, it may be necessary to operate it from a 20 amp circuit. It is not necessary to change the cord set.

OPERATION

Know Your Air Compressor

READ THIS OWNER'S MANUAL AND SAFETY RULES BEFORE OPERATING YOUR UNIT. Compare the illustrations with your unit to familiarize yourself with the location of various controls and adjustments. Save this manual for future reference.



Description of Operation

Become familiar with these controls before operating the unit.

On/Auto/Off Switch: Turn this switch ON to provide automatic power to the pressure switch and OFF to remove power at the end of each use.

Pressure Switch: The pressure switch automatically starts the motor when the air tank pressure drops below the factory set "cut-in" pressure. It stops the motor when the air tank pressure reaches the factory set "cut-out" pressure.

Safety Valve: If the pressure switch does not shut off the air compressor at its "cut-out" pressure setting, the safety valve will protect against high pressure by "popping out" at its factory set pressure (slightly higher than the pressure switch "cut-out" setting).

Outlet Pressure Gauge: The outlet pressure gauge indicates the air pressure available at the outlet side of the regulator. This pressure is controlled by the regulator and is always less than or equal to the tank pressure.

Tank Pressure Gauge: The tank pressure gauge indicates the reserve air pressure in the tank.

Regulator: Controls the air pressure shown on the outlet pressure gauge. Pull the knob out and turn clockwise to increase pressure and counterclockwise to decrease pressure. When the desired pressure is reached push knob in to lock in place.

Drain Valve: The drain valve is located at the base of the air tank and is used to drain condensation at the end of each use.

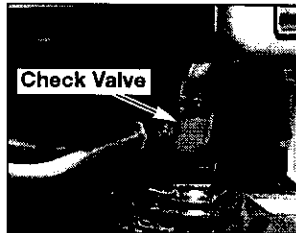


Cooling System (not shown): This compressor contains an advanced design cooling system. At the heart of this cooling system is an engineered fan. It is perfectly normal for this fan to blow air through the vent holes in large amounts. You know that the cooling system is working when air is being expelled.

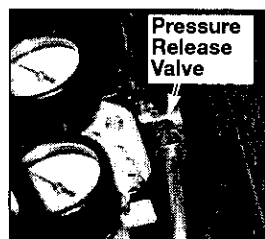
Air Compressor Pump (not shown):

Compresses air into the air tank. Working air is not available until the compressor has raised the air tank pressure above that required at the air outlet.

Check Valve: When the air compressor is operating, the check valve is "open", allowing compressed air to enter the air tank. When the air compressor reaches "cut-out" pressure, the check valve "closes", allowing air pressure to remain inside the air tank.



Pressure Release Valve: The pressure release valve located on the side of the pressure switch, is designed to automatically release compressed air from the compressor head and the outlet tube when the air compressor reaches "cut-out" pressure or is shut off. The pressure release valve allows the motor to restart freely. When the motor stops running, air will be heard escaping from this valve for a few seconds. No air should be heard leaking when the motor is running or after the unit reaches "cut-out" pressure.



Motor Overload Protector: The motor has an automatic reset thermal overload protector. If the motor overheats for any reason, the overload protector will shut off the motor. The motor must be allowed to cool down before restarting. The compressor will automatically restart after the motor cools.

How to Use Your Unit

How to Stop:

1. Set the On/Auto/Off lever to "OFF".

Before First Start-up

▲WARNING Risk of Unsafe Operation. Serious damage may result if the following break-in instructions are not closely followed.

This procedure is required **before** the air compressor is put into service and when the check valve or a complete compressor pump has been replaced.

1. Make sure the On/Auto/Off lever is in the "OFF" position.

NOTE: If quick connect is installed, pull coupler back until it clicks to prevent air from escaping through the quick connect.

2. Plug the power cord into the correct branch circuit receptacle. (Refer to Voltage and Circuit Protection paragraph in the Installation section of this manual.)
3. Open the drain valve fully (counterclockwise) to permit air to escape and prevent air pressure build up in the air tank during the break-in period.

NOTE: Always drain tank on a washable surface or in a suitable container to prevent damaging or staining surfaces.

4. Move the On/Auto/Off lever to "ON/AUTO" position. The compressor will start.
5. Run the compressor for 15 minutes. Make sure the drain valve is open and there is minimal air pressure build-up in tank.
6. After 15 minutes, close the drain valve (clockwise). The air receiver will fill to "cut-out" pressure and the motor will stop.

The compressor is now ready for use.

Before Each Start-Up:

1. Place On/Auto/Off lever to "OFF".
2. Pull regulator knob out, turn counterclockwise until it stops. Push knob in to lock in place.
3. Attach hose and accessories.
NOTE: The hose or accessory will require a quick connect plug if the air outlet is equipped with a quick connect.

⚠ WARNING Risk of Bursting. Too much air pressure causes a hazardous risk of bursting. Check the manufacturer's maximum pressure rating for air tools and accessories. The regulator outlet pressure must never exceed the maximum pressure rating.

How to Start:

1. Turn the On/Auto/Off lever to "AUTO" and allow tank pressure to build. Motor will stop when tank pressure reaches "cut-out" pressure.
2. Pull the regulator knob out and turn clockwise to increase pressure. When the desired pressure is reached push knob in to lock in place. The compressor is ready for use.

NOTE: Always operate the air compressor in well-ventilated areas free of gasoline or other combustible vapors. If the compressor is being used to operate a sprayer DO NOT place near the spray area.

MAINTENANCE

Customer Responsibilities

	Before each use	Daily or after each use	Every 40 hours	Every 100 hours	Yearly
Check Safety Valve	●				
Drain Tank		●			
Air Filter			●(1)	●	
Air compressor pump intake and exhaust valves					●
1- more frequent in dusty or humid conditions					

⚠ WARNING Risk of Unsafe Operation. Unit cycles automatically when power is on. When servicing, you may be exposed to voltage sources, compressed air, or moving parts. Before servicing unit unplug or disconnect electrical supply to the air compressor, bleed tank of pressure, and allow the air compressor to cool.

To ensure efficient operation and longer life of the air compressor, a routine maintenance schedule should be prepared and followed. The following routine maintenance schedule is geared to a unit in a normal working environment operating on a daily basis. If necessary, the schedule should be modified to suit the conditions under which your compressor is used. The modifications will depend upon the hours of operation and the working environment. Compressor units in an extremely dirty and/or hostile environment will require a greater frequency of all maintenance checks.

NOTE: See "Operation" section for the location of controls.

To Check Safety Valve

⚠ WARNING Risk of Bursting. If the safety valve does not work properly, over-pressurization may occur, causing air tank rupture or an explosion.

1. Before starting compressor, pull the ring on the safety valve to make sure that the safety valve operates freely. If the valve is stuck or does not operate smoothly, it must be replaced with the same type of valve.

To Drain Tank

1. Set the On/Auto/Off lever to "OFF" and unplug unit.
2. Pull the regulator knob out and turn counterclockwise to set the outlet pressure to zero.
3. Remove the air tool or accessory.
4. Pull ring on safety valve allowing air to bleed from the tank until tank pressure is approximately 20 psi. Release safety valve ring.
5. Drain water from air tank by opening drain valve (counterclockwise) on bottom of tank.

⚠ WARNING Risk of Bursting. Water will condense in the air tank. If not drained, water will corrode and weaken the air tank causing a risk of air tank rupture.

6. After the water has been drained, close the drain valve (clockwise). The air compressor can now be stored.

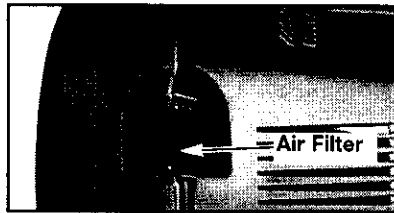
NOTE: If drain valve is plugged, release all air pressure. The valve can then be removed, cleaned, the reinstalled.

Air Filter Inspection and Replacement

▲WARNING Risk of Burns. Compressor head and cylinder sleeve are very hot. Do not touch. Allow compressor to cool prior to servicing.

A dirty air filter will not allow the compressor to operate at full capacity. Keep the air filter clean at all times.

1. Remove the air filter and make sure it is clean.



IMPORTANT: Do not operate the compressor with the air filter removed.

2. If dirty, rinse air filter with warm water and squeeze dry.
3. Replace air filter.

NOTE: If the air filter is extremely dirty it will need to be replaced. Refer to the "Repair Parts" for the correct part number.

Air Compressor Pump Intake and Exhaust Valves

Once a year have a Trained Service Technician check the air compressor pump intake and exhaust valves.

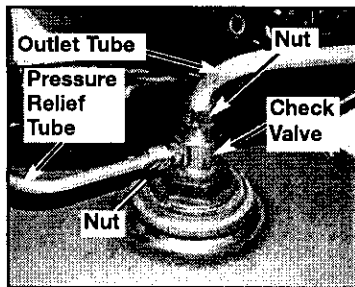
SERVICE AND ADJUSTMENTS

All maintenance and repair operations not listed must be performed by Trained Service Technician.

⚠ WARNING Risk of Unsafe Operation. Unit cycles automatically when power is on. When servicing, you may be exposed to voltage sources, compressed air, or moving parts. Before servicing unit unplug or disconnect electrical supply to the air compressor, bleed tank of pressure, and allow the air compressor to cool.

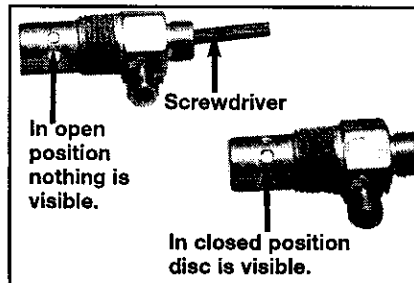
To Replace or Clean Check Valve

1. Release all air pressure from air tank. See "To Drain Tank" in the Maintenance section.
2. Set the On/Auto/Off lever to "OFF" and unplug unit.
3. Using an adjustable wrench, loosen outlet tube nut at air tank and pump. Carefully move outlet



4. tube away from check valve.
4. Using an adjustable wrench, loosen pressure relief tube nut at air tank and pressure switch. Carefully move pressure relief tube away from check valve.

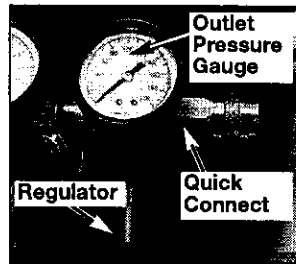
5. Unscrew the check valve (turn counterclockwise) using a 7/8" open end wrench. **Note** the orientation for reassembly.
6. Using a screwdriver, carefully push the valve disc up and down. **NOTE:** The valve disc should move freely up and down on a spring which holds the valve disc in the closed position; if not the check valve needs to be cleaned or replaced.



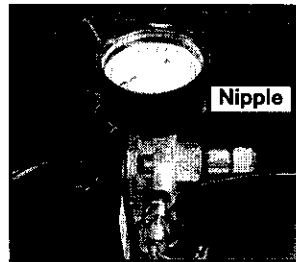
7. Clean or replace the check valve. A solvent, such as paint or varnish remover can be used to clean the check valve.
8. Apply sealant to the check valve threads. Reinstall the check valve (turn clockwise).
9. Replace the pressure release tube. Tighten nuts.
10. Replace the outlet tube and tighten nuts.
11. Perform the Break-in Procedure. See "Break-in Procedure" in the Operation section.

To Replace Regulator

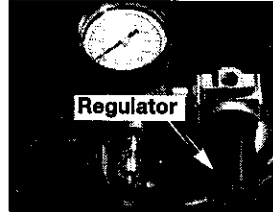
1. Release all air pressure from air tank. See "To Drain Tank" in the Maintenance section.
2. Set the On/Auto/Off lever to "OFF" and unplug unit.
3. Remove the outlet pressure gauge and quick connect (if equipped) from the regulator.



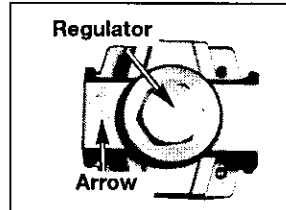
4. Remove the regulator.
5. Apply pipe sealant tape to the nipple.



6. Assemble the regulator and orient as shown.



NOTE: Arrow indicates flow of air. Make sure it is pointing in the direction of air flow.



7. Reapply pipe sealant to outlet pressure gauge and quick connect.
8. Reassemble outlet pressure gauge and quick connect. Orient outlet pressure gauge to read correctly. Tighten quick connect with wrench.

STORAGE

Before you store the air compressor, make sure you do the following:

1. Review the "Maintenance" section on the preceding pages and perform scheduled maintenance as necessary.
2. Set the On/Auto/Off lever to "OFF" and unplug unit.
3. Turn the regulator counterclockwise and set the outlet pressure to zero.
4. Remove the air tool or accessory.
5. Pull ring on safety valve allowing air to bleed from the tank until tank pressure is approximately 20 psi. Release safety valve ring.
6. Drain water from air tank by opening drain valve on bottom of tank.

▲ WARNING Risk of Bursting. Water will condense in the air tank. If not drained, water will corrode and weaken the air tank causing a risk of air tank rupture and possible serious personal injury.

7. After the water has been drained, close the drain or drain valve.

NOTE: If drain valve is plugged, release all air pressure. The valve can then be removed, cleaned, and reinstalled.

8. Protect the electrical cord and air hose from damage (such as being stepped on or run over). Wind them loosely around the compressor handle. (If so equipped)
9. Store the air compressor in a clean and dry location.

TROUBLESHOOTING

⚠ WARNING Risk of Unsafer Operation. Performing repairs may expose voltage sources, moving parts, or compressed air sources. Personal injury may occur. Before servicing: Unplug or disconnect electrical supply to the air compressor, bleed tank of pressure, and allow the air compressor to cool.

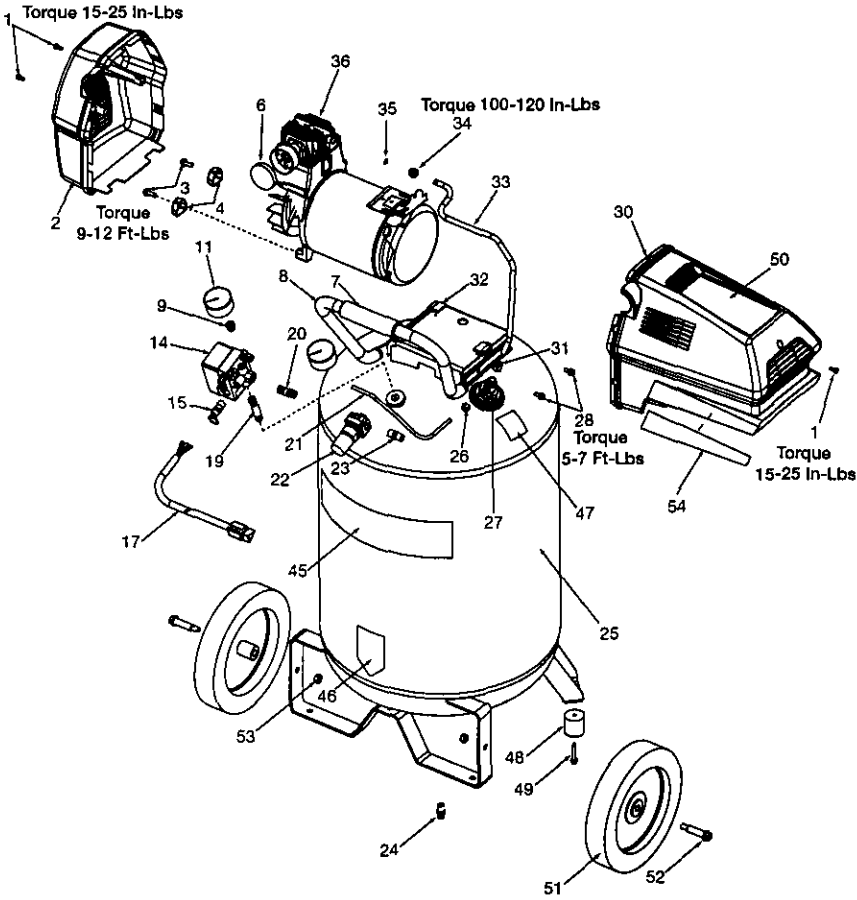
PROBLEM	CAUSE	CORRECTION
Excessive tank pressure - safety valve pops off.	Pressure switch does not shut off motor when compressor reaches "cut-out" pressure.	Move On/Auto/Off lever to the "OFF" position, if the unit does not shut off contact a Trained Service Technician.
	Pressure switch "cut-out" too high.	Contact a Trained Service Technician.
Air leaks at fittings.	Tube fittings are not tight enough.	Tighten fittings where air can be heard escaping. Check fittings with soapy water solution. Do Not Overtighten.
Air leaks at or inside check valve.	Check valve seat damaged.	A defective check valve results in a constant air leak at the pressure release valve when there is pressure in the tank and the compressor is shut off. Replace check valve. Refer to the "To Replace or Clean Check Valve" in the "Service and Adjustment" section.
Air leaks at pressure switch release valve.	Defective pressure switch release valve.	Contact a Trained Service Technician.
Air leaks in air tank or at air tank welds.	Defective air tank.	Air tank must be replaced. Do not repair the leak. ⚠ WARNING Risk of Bursting. Do not drill into, weld or otherwise modify air tank or it will weaken. The tank can rupture or explode.
Air leaks between head and valve plate.	Leaking seal.	Contact a Trained Service Technician.

PROBLEM	CAUSE	CORRECTION
Pressure reading on the regulated pressure gauge drops when an accessory is used.	It is normal for "some" pressure drop to occur.	<p>If there is an excessive amount of pressure drop when the accessory is used, adjust the regulator following the instructions in the "Description of Operation" paragraph in the "Operation Section."</p> <p>NOTE: Adjust the regulated pressure under flow conditions (while accessory is being used).</p>
Knocking Noise.	<p>Possible defect in safety valve.</p> <p>Defective check valve.</p>	<p>Operate safety valve manually by pulling on ring. If valve still leaks, it should be replaced.</p> <p>Remove and clean, or replace.</p>
Compressor is not supplying enough air to operate accessories.	<p>Prolonged excessive use of air.</p> <p>Compressor is not large enough for air requirement.</p> <p>Hole in hose.</p> <p>Check valve restricted.</p> <p>Air leaks.</p> <p>Restricted air intake filter.</p>	<p>Decrease amount of air usage.</p> <p>Check the accessory air requirement. If it is higher than the SCFM or pressure supplied by your air compressor, you need a larger compressor.</p> <p>Check and replace if required.</p> <p>Remove and clean, or replace.</p> <p>Tighten fittings.</p> <p>Clean or replace air intake filter. Do not operate the air compressor with the filter removed. Refer to the "Air Filter" paragraph in the "Maintenance" section.</p>
Regulator knob has continuous air leak.	Damaged regulator.	Replace.

PROBLEM	CAUSE	CORRECTION
Regulator will not shut off air outlet.	Damaged regulator.	Replace.
Motor will not run.	<p>Motor overload protection switch has tripped.</p> <p>Tank pressure exceeds pressure switch "cut-in" pressure.</p> <p>Extension cord is wrong length or gauge.</p> <p>Check valve stuck open.</p> <p>Loose electrical connections.</p> <p>Possible defective motor or starting capacitor.</p> <p>Paint spray on internal motor parts.</p> <p>Pressure release valve on pressure switch has not unloaded head pressure.</p> <p>Fuse blown, circuit breaker tripped.</p>	<p>Let motor cool off and overload switch will automatically reset.</p> <p>Motor will start automatically when tank pressure drops below "cut-in" pressure of pressure switch.</p> <p>Check for proper gauge wire and cord length.</p> <p>Remove and clean, or replace.</p> <p>Check wiring connection inside pressure switch and terminal box area.</p> <p>Have checked by a Trained Service Technician.</p> <p>Have checked by a Trained Service Technician. Do not operate the compressor in the paint spray area. See flammable vapor warning.</p> <p>Bleed the line by pushing the lever on the pressure switch to the "OFF" position; if the valve does not open, replace switch.</p> <ol style="list-style-type: none"> 1. Check fuse box for blown fuse and replace as necessary. Reset circuit breaker. Do not use a fuse or circuit breaker with higher rating than that specified for your particular branch circuit. 2. Check for proper fuse. You should use a time delay fuse. 3. Check for low voltage conditions and/or proper extension cord. 4. Disconnect the other electrical appliances from circuit or operate the compressor on its own branch circuit.

AIR COMPRESSOR DIAGRAM

Air Compressor Model Number 919.167312



PARTS LIST

Air Compressor Model Number 919.167312

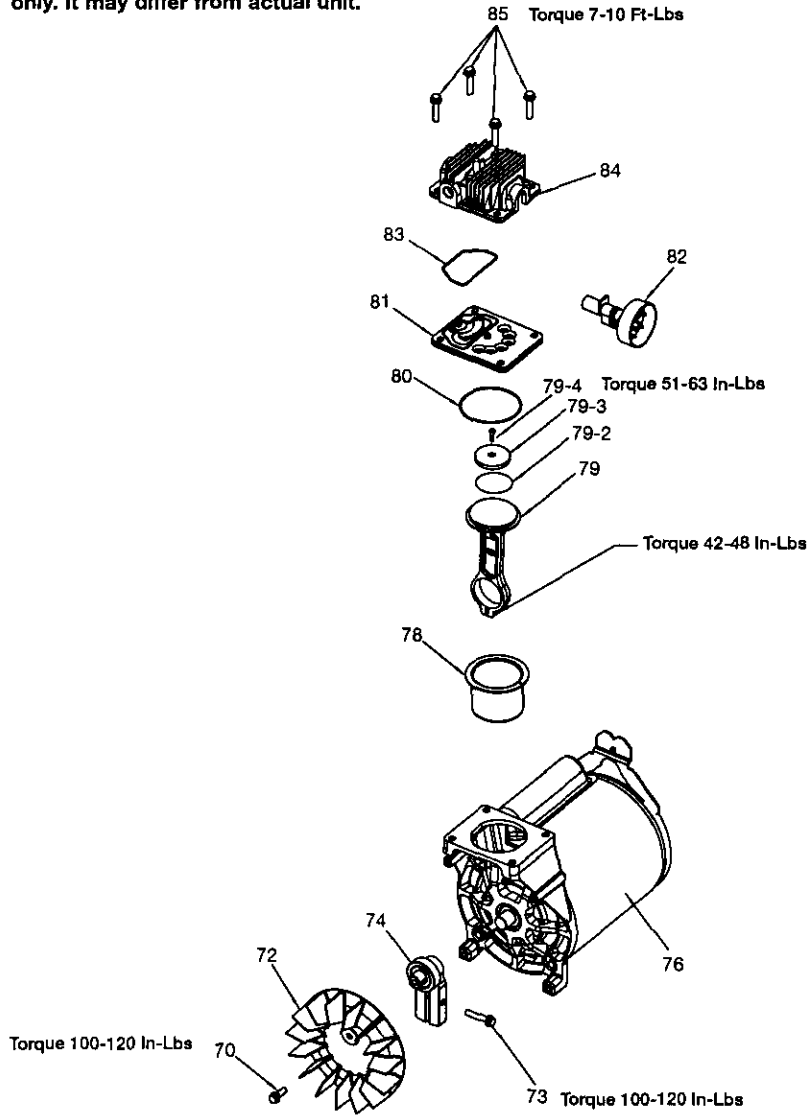
KEY

<u>NO.</u>	<u>PART NO.</u>	<u>DESCRIPTION</u>
1	ACG-408	Assembly Fastener (3)
2	D23362	Front Shroud
3	91895680	Screw 1/4 - 20 x .75 (2)
4	ACG-18	Saddle Mount Cup (2)
5	CAC-1373	Filter Retainer
6	D24233	Foam Filter
7	AC-0558	Grip
8	AC-0609	Handle
9	SSP-6021	Bushing Reducer 1/8 - 1/4 NPT
11	Z-D27212	Gauge 2"OD (2)
14	Z-D26612	Pressure Switch
15	D20114	Safety Valve
17	D26615	Cord Assembly
19	D24888	Nipple 1/4-18 NPT x 2.50
20	SS-2071	Nipple 1/4-18 NPT x 1.5
21	AC-0630	Pressure Relief Tube .25 OD
22	D27253	Regulator
23	D20675	Quick Connect Body .250 UNIV .250 M NPT
24	D23000	Drain Valve
25	Z-D23364	Tank 30 Gallon
26	SSP-7811	Nut Sleeve Assembly 1/4" (2)
27	AC-0631	Check Valve
28	SSF-981	Screw Hex
30	D23363	Rear Shroud
31	SSP-7813	Nut Sleeve Assembly 3/8"
32	AC-0774	Isolator (3)
33	AC-0292	Outlet Tube
34	SSP-7821-1	Nut Tubing 3/8" OD
35	SSG-3105	O-Ring
36	+	Pump Assembly
45	LA-3069	Label, Craftsman
46	LA-3027	Label, Drain Tank Eng/Spa
47	LA-3108	Label, Hot Surface
48	SST-107	Recess Rubber Bumper (2)
49	SSF-630	Screw (2)
50	D23565	Label, Star Rating
51	D23138	Wheel 9" (2)
52	CAC-60	Shoulder Bolt 3/8 - 16UNC (2)
53	SSF-8080-ZN	Hex Nut 3/8 - 16UNC (2)
54	D23563	Label, Performance
+	Order individual parts, see pump diagram	

PUMP DIAGRAM

Air Compressor Model Number 919.167312

The picture shown is for reference only. It may differ from actual unit.



PARTS LIST

Air Compressor Model Number 919.167312

KEY	NO.	PART NUMBER	DESCRIPTION
	70	SSF-586	Screw 1/4-20 UNC x .75
	72	AC-0108	Fan
	73	SSF-615	Screw 1/4-20 UNC-2A
	74	Z-AC-0140	Eccentric Bearing
	76	Z-D26712	Motor
	77	DAC-161	Shim
>x	78	-----	Cylinder Sleeve
>x	79	-----	Connecting Rod Assembly
>x	79-2	CAC-248-2	Formed Compression Ring
>	79-3	ACG-29	Connecting Rod
>x	79-4	SSF-3158-1	Screw 10-24 x .75 T25
>x	80	SSG-8156	O-Ring 2.759/2.719ID .073/.067W
	81	AC-0032	Valve Plate Assembly
	82	CAC-1371	Muffler
>x	83	ACG-45	O-Ring
	84	AC-0037	Head
	85	SSF-927	Screw .250-20 x 1.125 HHW

Not Illustrated

	D29761	Owners Manual
x	K-0650	Compression Ring Kit
>	KK-4835	Connecting Rod Kit

* To determine which capacitor kit is needed, look on label (under rear shroud) for motor supplier:

GE	Start Capacitor Kit	order	D23936
GE	Start and Run Capacitor Kit	order	D30107
A.O. Smith	Start Capacitor Kit	order	D21477
WEG	Start Capacitor Kit	order	D29142

CONTENIDO

GARANTÍA	28
CUADRO DE ESPECIFICACIONES	29
DEFINICIONES DE NORMAS DE SEGURIDAD	29
IMPORTANTES INSTRUCCIONES DE SEGURIDAD	29-34
GLOSARIO	35
ACCESORIOS	35
CICLO DE SERVICIO	35
ENSAMBLADO	36
INSTALACIÓN	37-38
OPERACIÓN	39-41
MANTENIMIENTO	42-43
SERVICIOS Y REGULACIONES	44-45
ALMACENAJE	46
GUÍA DE DIAGNÓSTICO DE PROBLEMAS	47-49
NOTES/NOTAS	50-51
LISTA DE PARTES	24-27
COMO SOLICITAR PIEZAS PARA REPARACIÓN	contratapa

GARANTIA

GARANTÍA TOTAL DE UN AÑO DEL COMPRESOR DE AIRE

Si este compresor de aire Craftsman fallase debido a defectos de materiales o de fabricación dentro del año de su fecha de compra, Sears, a su opción, lo reparará o reemplazará sin costo alguno. Comuníquese con el Centro de Servicio Sears más cercano (1-800-4-MY-HOME) para coordinar su reparación, o devuelva el compresor de aire al lugar donde lo compró para que lo cambien.

Si este compresor de aire se usase con fines comerciales o para alquiler, esta garantía se aplica sólo durante los primeros noventa días a partir de su fecha de compra.

Esta garantía le otorga derechos específicos y usted podría tener otros derechos que varían de un estado a otro.

Sears, Roebuck and Co., Dept. 817WA, Hoffman Estates, IL 60179

CUADRO DE ESPECIFICACIONES

Modelo N°	919-167312
Máx. HP desarrollado	6,0
HP de Trabajo	2,0
Diámetro interior	2,38 po (60,4mm)
Carrera	1,35 po (34,3mm)
Tensión monofásica	120V/60HZ/1PH
Circuito mínimo requerido	15A
Tipo de fusible	Acción retardada
Capacidad de aire en el tanque	30 Galones (113,6 litros)
Presión de corte de entrada	120
Presión de corte de salida	150
SCFM a 40 psig	8,6 Calibre de libras por pulgada cuadrada
SCFM a 90 psig	6,4 Calibre de libras por pulgada cuadrada

DEFINICIONES DE NORMAS DE SEGURIDAD

SEGURIDAD Y PREVENCIÓN DE PROBLEMAS DEL EQUIPO: Para ayudar al reconocimiento de esta información, hemos utilizado los símbolos mostrados abajo. Sírvase leer el manual y prestar atención a dichas secciones.

<p>▲ PELIGRO Indica una situación de inminente riesgo, la cual, si no es evitada, causará la <u>muerte o lesiones serias.</u></p>	<p>▲ PRECAUCIÓN Indica una situación potencialmente peligrosa, la cual, si no es evitada, podría resultar en <u>lesiones menores o moderadas.</u></p>
<p>▲ ADVERTENCIA Indica una situación potencialmente riesgosa, que si no es evitada, podría resultar en la <u>muerte o lesiones serias.</u></p>	<p>▲ PRECAUCIÓN Usado sin el símbolo de seguridad de alerta indica una situación potencialmente riesgosa la que, si no es evitada, podría causar <u>daños en la propiedad.</u></p>

IMPORTANTES INSTRUCCIONES DE SEGURIDAD

▲ ADVERTENCIA Algunos tipos de aserrín creados por máquinas eléctricas de lijado, aserrado, amolado, perforado u otras actividades de la construcción, contienen materiales químicos conocidos (en el Estado de California) como causantes de cáncer, defectos de nacimiento u otros daños del aparato reproductivo. Algunos ejemplos de dichos productos químicos son:

- El plomo contenido en algunas pinturas con base de plomo
- Sílice cristalizado proveniente de los ladrillos, el cemento y otros productos de albañilería
- Arsénico y cromo provenientes del tratamiento químico dado a la madera

Su riesgo a dichas exposiciones variará dependiendo de la frecuencia con la que usted realice diferentes tipos de trabajo. Para reducir su exposición a la acción de dichos agentes químicos: trabaje en zonas bien ventiladas, y hágalo con equipo de seguridad aprobado, use siempre protección facial o respirador **MSHA / NIOSH** aprobados cuando deba utilizar dichas herramientas.

Al utilizar herramientas neumáticas también deben tomarse precauciones básicas de seguridad, a fin de reducir la posibilidad de riesgo de lesiones personales.

INSTRUCCIONES IMPORTANTES DE SEGURIDAD



GUARDE ESTAS INSTRUCCIONES



LA OPERACIÓN O EL MANTENIMIENTO INADECUADOS DE ESTE PRODUCTO PODRÍAN OCASIONAR SERIAS LESIONES Y DAÑOS A LA PROPIEDAD. LEA Y COMPRENDA TODAS LAS ADVERTENCIAS E INSTRUCCIONES DE FUNCIONAMIENTO ANTES DE UTILIZAR ESTE EQUIPO.

PELIGRO

ADVERTENCIA: RIESGO DE EXPLOSIÓN O INCENDIO



¿QUÉ PUEDE OCURRIR?	¿CÓMO PREVENIRLO?
Para los contactos eléctricos es normal la existencia de chispas entre el motor y el interruptor a presión.	Opere siempre el compresor en un sector bien ventilado y libre de materiales combustibles, gasolina o emanaciones de solvente.
Si las chispas eléctricas provenientes del compresor toman contacto con emanaciones de materiales inflamables, ellos podrían arder originando incendio o explosión.	En un área de rociado de materiales inflamables, ubique al compresor por lo menos a 6,1m (20 pies) de distancia del área de rociado. Podría requerirse una extensión de la manguera. Almacene los materiales inflamables en una ubicación segura, alejados del compresor.
Restringir cualquiera de las aberturas de ventilación causará un serio recalentamiento y podría producir un incendio.	Jamás coloque objetos apoyados o sobre el compresor. Opere el compresor en un sector abierto, por lo menos a 30 cm (12 pulgadas) alejado de cualquier pared u obstrucción que restrinja el flujo de aire fresco a las aberturas de ventilación. Opere el compresor en un sector limpio, seco, y bien ventilado. No opere la unidad en espacios cerrados o cualquier área confinada.
Dejar desatendido este producto mientras el mismo está en funcionamiento puede resultar en lesiones personales o daños a la propiedad. Para reducir el riesgo de incendio, no permita que el compresor opere desatendido.	Manténgase siempre alerta cada vez que el producto este funcionando. Desconecte siempre el suministro eléctrico moviendo la palanca conmutadora de presión a la posición de apagado (off), y drene el tanque diariamente o después de cada uso.

PELIGRO

ADVERTENCIA: RIESGO DE EXPLOSIÓN



TANQUE DE AIRE: LAS SIGUIENTES CONDICIONES PODRÍAN, CAUSAR EL DEBILITAMIENTO DEL TANQUE, Y DETERMINAR SU EXPLOSIÓN VIOLENTA, DAÑOS A LA PROPIEDAD O SERIAS LESIONES.

¿QUÉ PUEDE OCURRIR?	¿CÓMO PREVENIRLO?
1. Drenaje inadecuado del agua condensada en el tanque, siendo la causa del óxido que reduce el espesor del tanque de acero.	Drene el tanque diariamente o después de cada uso. Si el tanque genera una pérdida, reemplácelo inmediatamente con un nuevo tanque o reemplace el compresor completo.
2. Modificaciones o intento de reparaciones al tanque.	Jamás perfore, suelde, o efectúe modificación alguna al tanque o sus accesorios.
3. Modificaciones no autorizadas a la válvula de descarga, válvula de seguridad o cualquier otro componente que controle la presión del tanque.	
4. La vibración excesiva puede debilitar el tanque de aire y causar su ruptura o explosión.	El tanque está diseñado para resistir presiones operativas específicas. Jamás efectúe ajustes o sustituya partes que alteren las regulaciones de presión originales de fábrica.
AGREGADOS Y ACCESORIOS El exceso a los valores de presión establecidos para las herramientas neumáticas, pistolas rociadoras, accesorios activados por aire, cubiertas y otros objetos inflables, puede causar su explosión o ser arrojados, pudiendo ocasionar serias lesiones.	Para un control esencial de la presión, debe usted instalar un regulador y un medidor de presión a la salida del aire de su compresor. (Si no estuviese equipado) Siga las recomendaciones de los fabricantes de su equipo y jamás exceda los valores máximos de presión permitidos para los accesorios. Jamás use el compresor para inflar objetos que requieren poca o baja presión, tales como juguetes para los niños, pelotas de fútbol, pelotas de basquet, etc.

PELIGRO

ADVERTENCIA: RIESGO DE OBJETOS ARROJADOS POR EL AIRE.



¿QUÉ PUEDE OCURRIR?	¿CÓMO PREVENIRLO?
El chorro de aire comprimido puede causar daños sobre los tejidos blandos de la piel expuesta, y puede propulsar suciedad, astillas, partículas sueltas y pequeños objetos a alta velocidad, ocasionando daños a la propiedad o lesiones personales.	Al utilizar el compresor, use siempre anteojos de seguridad así Z87.1 aprobados, con protección lateral. Jamás apunte ninguna boquilla o pulverizador hacia partes del cuerpo, a otras personas o animales. Apague siempre el compresor y purgue la presión de la manguera del aire y del tanque, antes de intentar el mantenimiento, el acople de herramientas o accesorios.

PELIGRO

ADVERTENCIA: RIESGO DE DESCARGA ELÉCTRICA



¿QUÉ PUEDE OCURRIR?	¿CÓMO PREVENIRLO?
Su compresor de aire está accionado por electricidad. Como cualquier otro dispositivo eléctrico impulsado eléctricamente, si no se lo utiliza adecuadamente, podría causarle una descarga eléctrica.	Jamás opere el compresor a la intemperie cuando está lloviendo o en condiciones de humedad. Nunca opere el compresor sin sus defensas o sus cubiertas removidas o dañadas.
Las reparaciones intentadas por personal no calificado podrían ocasionar serias lesiones o la muerte por electrocución.	Cualquier conexión eléctrica o reparación requerida por este producto debe ser efectuada por personal autorizado de los servicentros de acuerdo a los códigos eléctricos nacionales y locales.
CONEXIÓN A TIERRA: Dejar de proveer una adecuada conexión a tierra a este producto podría ocasionar lesiones serias o la muerte por electrocución. Ver instrucciones para la puesta a tierra.	Asegúrese que el circuito eléctrico al cual está conectado el compresor, suministra apropiada conexión a tierra, tensión correcta y una adecuada protección de fusibles.

PELIGRO

ADVERTENCIA: RIESGO DE INHALACIÓN



¿QUÉ PUEDE OCURRIR?	¿CÓMO PREVENIRLO?
El aire comprimido proveniente del compresor no es sano para respirar. El chorro de aire puede contener monóxido de carbono, vapores tóxicos o partículas sólidas provenientes del tanque. La inhalación de dichos contaminantes puede llegar a causar serias lesiones o la muerte.	El aire obtenido directamente del compresor jamás deberá ser utilizado para proveer aire para consumo humano. Para poder utilizar el aire producido por este compresor y hacerlo respirable, deberán instalarse un filtro adecuado y un equipo de seguridad intercalado. Los filtros intercalados tanto como el equipo de seguridad utilizado en conjunto con el compresor, deberán ser capaces de procesar el tratamiento del aire de acuerdo a todos los códigos locales y federales, previo al consumo humano.
El rociado de materiales tales como pintura, solventes, removedores de pintura, insecticidas, mata hierbas, contienen emanaciones dañinas y venenosas.	Trabaje en un área con buena ventilación cruzada. Lea y siga las instrucciones de seguridad provistas en el rótulo o en los datos de las hojas de seguridad del material que está pulverizando. Use el respirador aprobado NIOSH/MSHA designado para utilizarse con su aplicación específica.

PELIGRO

ADVERTENCIA: RIESGO DE QUEMADURAS



¿QUÉ PUEDE OCURRIR?	¿CÓMO PREVENIRLO?
<p>Tocar el metal expuesto tal como el cabezal del compresor o los tubos de salida del escape, puede ocasionarle serias quemaduras.</p>	<p>Jamás toque partes de metal expuestas en el compresor durante o inmediatamente después de la operación. el compresor permanecerá caliente por varios minutos luego de la operación.</p> <p>No lo cubra con fundas protectoras o intente el mantenimiento hasta que la unidad haya alcanzado su enfriamiento.</p>

PELIGRO

ADVERTENCIA: RIESGO DE PARTES MÓVILES



¿QUÉ PUEDE OCURRIR?	¿CÓMO PREVENIRLO?
<p>Partes móviles tales como la polea, el volante y la correa podrían ser la causa de serias lesiones si ellas entraran en contacto con usted o sus ropas.</p>	<p>Nunca opere el compresor sin sus defensas o sus cubiertas removidas o dañadas.</p>
<p>Intentar operar el compresor con sus partes dañadas o faltantes, o la reparación del compresor con sus protecciones removidas, puede exponerlo a usted a partes móviles, que podrían resultar en lesiones serias.</p>	<p>Cualquier reparación requerida por este producto debe ser efectuada por personal autorizado de los servicentros.</p>

PELIGRO

RIESGO DE CAIDA



¿QUÉ PUEDE OCURRIR?	¿CÓMO PREVENIRLO?
<p>Un compresor portátil puede caerse de la mesa, el banco de trabajo o del techo dañando al compresor y pudiendo resultar en serias lesiones o la muerte del operador.</p>	<p>Opere siempre el compresor en una posición estable y segura a fin de prevenir el movimiento accidental de la unidad. Jamás opere el compresor sobre un techo u otra posición elevada. Utilice mangueras adicionales de aire para alcanzar posiciones altas.</p>

PELIGRO

ADVERTENCIA: RIESGO DE DAÑOS A LA PROPIEDAD AL TRANSPORTAR EL COMPRESOR



(Fuego, inhalación, daño a la superficie de vehículos)

¿QUÉ PUEDE OCURRIR?	¿CÓMO PREVENIRLO?
<p>el aceite puede derramarse y ello podría resultar en serias lesiones o la muerte debido al riesgo de incendio o inhalación. El derrame de aceite daña alfombras, pinturas u otras superficies de vehículos o remolques.</p>	<p>Deposite el compresor sobre una alfombra protectora cuando lo transporte. a fin de proteger al vehículo de pérdidas por goteo. Retire el compresor del vehículo inmediatamente después de su arribo al destino.</p>

PELIGRO

ADVERTENCIA: RIESGO DE OPERACIÓN INSEGURA



¿QUÉ PUEDE OCURRIR?	¿CÓMO PREVENIRLO?
<p>La operación insegura de su compresor de aire podría ocasionarle serias lesiones o la muerte a usted u otros.</p>	<p>Revise y comprenda todas las instrucciones y advertencias contenidas en este manual.</p> <p>Familiarícese con los métodos de operación y control del compresor de aire.</p> <p>Mantenga libre la zona de operaciones de persona alguna, animales domésticos y obstáculos.</p> <p>Mantenga alejados a los niños del compresor de aire en todo momento.</p> <p>No opere el producto cuando se encuentre fatigado o bajo la influencia del alcohol o drogas. Esté alerta en todo momento.</p> <p>Jamás altere los elementos de seguridad de este producto.</p> <p>Equipe la zona de operaciones con un extinguidor de fuego.</p> <p>No opere la máquina si ésta tiene partes faltantes, rotas o no autorizadas.</p>

GLOSARIO

Familiarícese con los siguientes términos, antes de operar la unidad:

CFM: (Cubic feet per minute) Pies cúbicos por minuto.

SCFM: (Standard cubic feet per minute) Pies cúbicos estándar por minuto; una unidad de medida que permite medir la cantidad de entrega de aire.

PSIG: (Pound per square inch) Libras por pulgada cuadrada.

ASME: American Society of Mechanical Engineers (Sociedad Americana de Ingenieros Mecánicos); hecho probado inspeccionado y registrado en cumplimiento de los estándares de la ASME.

Código de certificación: Los productos que usan una o más de las siguientes marcas: UL, CUL, ETL, CETL, han sido evaluados por OSHA, laboratorios independientes certificados en seguridad, y reúnen los estándares suscriptos por los laboratorios dedicados a la certificación de la seguridad.

Presión mínima de corte: Cuando el motor está apagado, la presión del tanque de aire baja a medida que usted continúa usando su accesorio. Cuando la presión del tanque baja al valor fijado en fábrica como punto bajo, el motor volverá a arrancar automáticamente. La presión baja a la cual el motor arranca automáticamente, se llama presión "mínima de corte".

Presión máxima de corte: Cuando un compresor de aire se enciende y comienza a funcionar, la presión de aire en el tanque comienza a aumentar. Aumenta hasta un valor de presión alto fijado en fábrica antes de que el motor automáticamente se apague protegiendo a su tanque de aire de presiones más altas que su capacidad. La presión alta a la cual el motor se apaga se llama presión "máxima de corte".

Ramal: Circuito eléctrico que transporta electricidad desde el panel de control hasta el tomacorriente.

ACCESORIOS

Esta unidad es suficiente para abastecer de energía eléctrica a los siguientes accesorios. Estos se encuentran disponibles a través del catálogo para herramientas eléctricas y manuales, en cualquiera de los comercios que mantiene la línea completa de SEARS.

Accesorios

- Filtro en línea
- Entrada de aire a neumáticos
- Juegos de conectores rápidos (varios tamaños)
- Reguladores de presión de aire

- Lubricadores de niebla de aceite
- Manguera de aire: 1/4 plug., 3/8 plug. o 1/2 plug. D.I. en varias medidas

Refiérase al gráfico de selección ubicado sobre la unidad, para elegir el tipo de herramienta que esta unidad es capaz de hacer funcionar.

CICLO DE SERVICIO

Esta bomba compresora de aire es capaz de funcionar continuamente, sin embargo para prolongar la vida útil de su compresor de aire se recomienda mantener un ciclo promedio

de servicio que oscile entre el 50% y el 75%; ello significa que la bomba compresora no debería trabajar más de 30 a 45 minutos por hora.

ENSAMBLADO

Contenido de la caja

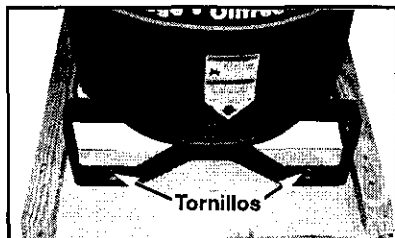
- 1- Compresor de aire
- 2- Ruedas
- 2- Pernos con resalto, 3/8" - 16
- 2- Tuercas hexagonales, 3/8" - 16
- 2- Parachoques de goma
- 2- Tornillos, 1/4" - 20 x .75

Herramientas necesarias para el ensamble

- 1 - llave de tubo o de boca de 9/16"
- 1 - llave de tubo o de boca de 1/2"

Desempaquete

1. Retire todo el material de empaque dejando al compresor de aire sobre la tarima.
2. Retire y descarte los (4) tornillos que sostienen al compresor de aire en la tarima.



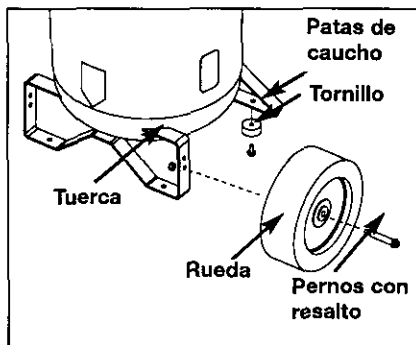
PRECAUCIÓN Puede ser necesario soportar un lado del compresor de aire cuando se retira la tarima porque el compresor de aire tenderá a voltearse.

3. Retire cuidadosamente el compresor de aire de la tarima.

Ensamble de las ruedas

PRECAUCIÓN Será necesario soportar un lado del equipo cuando se instalan las ruedas porque el compresor tenderá a voltearse.

1. Fije las ruedas con pernos con resalto y tuercas como se muestra.



2. Apriete firmemente. **NOTA:** El equipo se asentará nivelado si las ruedas están debidamente instaladas.

PRECAUCIÓN Las ruedas y el mango no proporcionan un despeje, estabilidad o soporte adecuado para tirar de la unidad hacia arriba y hacia abajo por escaleras o gradas. La unidad debe ser levantada o empujada por una rampa.

Ensamble de las patas de caucho

1. Fije las patas de caucho con los tornillos provistos como se muestra en la figura previa.
2. Apriete firmemente.

INSTALACIÓN

CÓMO PREPARAR LA UNIDAD

Ubicación del compresor de aire

Ubique al compresor de aire en una zona limpia, seca y bien ventilada. La bomba del compresor de aire y su carcasa han sido diseñadas para permitir un enfriamiento adecuado. Las aberturas de ventilación del compresor resultan - entonces - necesarias para el mantenimiento de una adecuada temperatura de funcionamiento. No coloque géneros o contenedores, encima, ni en las proximidades de dichas aberturas. El filtro de aire debe mantenerse libre de obstrucciones que podrían reducir el flujo de aire al compresor.

INSTRUCCIONES PARA CONECTAR A TIERRA

⚠ PELIGRO Riesgo de Descarga Eléctrica. Ante la eventualidad de un cortocircuito, la conexión a tierra reduce el riesgo de electrocución proveyendo un conductor de escape para la corriente eléctrica. Este compresor de aire debe estar adecuadamente conectado a tierra.

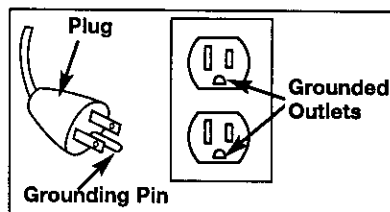
El compresor portátil de aire está equipado con un cable que tiene un conductor destinado a tierra, con una espiga apropiada para su conexión (ver las siguientes ilustraciones). El enchufe debe ser utilizado con un toma corriente que haya sido instalado y conectado a tierra de acuerdo a todos los códigos y ordenanzas locales.

1. El cable que acompaña a esta unidad tiene una espiga para conexión a tierra. Esta DEBE ser utilizada con un tomacorriente conectado a tierra.

IMPORTANTE: El tomacorriente que será utilizado deberá haber sido conectado a tierra conforme a todos los códigos locales y ordenanzas.

2. Asegúrese de que el tomacorriente que será utilizado tenga la misma configuración que el enchufe de conexión a tierra.

NO UTILICE UN ADAPTADOR. Ver figura.



3. Inspeccione el enchufe y su cordón antes de cada uso. No use si existieran signos de daños.
4. Si las instrucciones de conexión a tierra no fueran completamente comprendidas, o si se estuviera ante la duda acerca de que el compresor estuviese adecuadamente conectado a tierra, haga verificar la instalación por un electricista competente.

⚠ PELIGRO Riesgo de Descarga Eléctrica. La conexión inadecuada a tierra puede determinar una descarga eléctrica.

No modifique el enchufe provisto. Si el mismo no penetrara el tomacorriente disponible, un electricista competente deberá instalar uno apropiado.

La reparación del cable o del enchufe DEBERÁ ser efectuada por un electricista competente.

Cables de extensión eléctrica

No se recomienda la utilización de cables de extensión eléctrica. El uso de cables de extensión eléctrica originará una caída de tensión, lo que determinará una pérdida de potencia del motor así como su recalentamiento. En lugar de utilizar un cable de extensión eléctrica, incremente el alcance de la manguera de aire dentro de la zona de trabajo, añadiéndole otro largo de manguera a su extremo. Conecte los largos adicionales de manguera de acuerdo a su necesidad.

Si - no obstante - debe utilizarse una extensión de cable, asegúrese de que:

- La extensión eléctrica de 3 conductores, tenga un enchufe de conexión a tierra de 3 hojas, y que exista un receptáculo que acepte el enchufe del producto.
- Esté en buenas condiciones.
- No más largo que 15,2 m (50 pies).
- Calibre 12 (AWG) o mayor. (La medida de los cables se incrementa a medida que su número ordinal decrece. 10 y 8 AWG pueden ser usados también. NO USE 14 NI 16 AWG).

Protección del voltaje y del circuito

Acerca del voltaje y la mínima cantidad de circuitos requeridos, refiérase al cuadro de especificaciones.

PRECAUCIÓN Riesgo de Operación

Lasegura. Ciertos compresores de aire pueden ser operados en un circuito de 15 A, siempre que se cumplan las siguientes condiciones:

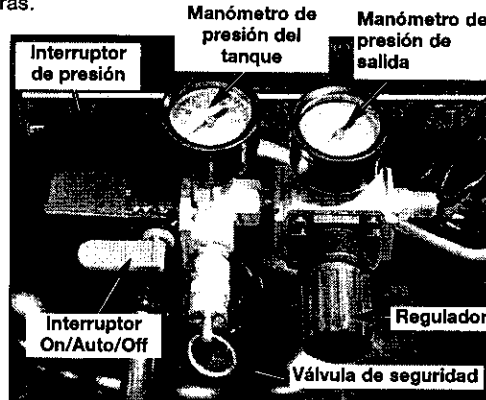
1. Que el voltaje suministrado a través de los ramales del circuito sea de 15 A.
2. Que el circuito no sea utilizado para alimentar ninguna otra necesidad eléctrica.
3. Que los cables de extensión cumplan con las especificaciones.
4. El circuito cuenta con un disyuntor de 15 amperios o un fusible de acción retardada de 15 amperios.
NOTA: Si el compresor está conectado a un circuito protegido por fusibles, use sólo fusibles de acción retardada. Los fusibles de acción retardada deben estar marcados con la letra "D" en Canadá y "T" en EE.UU.

Si cualquiera de las condiciones enumeradas no pudiese ser cumplida, o si el funcionamiento del compresor causara reiteradas interrupciones de la energía con la que se lo alimenta, podría ser necesario operar al mismo desde un circuito de 20 A. Para ello no será necesario cambiar su cable de alimentación.

OPERACIÓN

Conozca su compresor de aire

LEA ESTE MANUAL DEL PROPIETARIO Y SUS NORMAS DE SEGURIDAD ANTES DE OPERAR LA UNIDAD. Compare las ilustraciones contra su unidad a fin de familiarizarse con la ubicación de los distintos controles y regulaciones. Conserve este manual para referencias futuras.



Descripción de operaciones

Familiarícese con estos controles antes de operar la unidad.

Interruptor On/Auto/Off: Mueva este interruptor a la posición ON para dar contacto automático al interruptor de presión, y OFF para interrumpir la energía eléctrica al término del uso.

Interruptor de presión: El interruptor de presión permite el arranque automático del motor cuando la presión del tanque disminuye por debajo del valor de la presión de conexión regulada en fábrica. El motor se detendrá cuando la presión del tanque alcance los valores de presión de corte, regulado en fábrica para su desconexión.

Válvula de seguridad: Si el interruptor de presión dejara de cortar el suministro de presión del compresor conforme a los valores prefijados para la presión de corte, la válvula de seguridad protegerá contra la presión elevada, "saltando" de acuerdo a los valores prefijados en fábrica (ligeramente superiores a los de presión de corte de la llave interruptora.)

Manómetro para controlar la presión de salida. Este manómetro indicará la presión de aire disponible a la salida del regulador. Esta presión está controlada por el regulador y es siempre menor o igual que la presión del tanque

Manómetro de la presión del tanque: El

manómetro que controla la presión del tanque indica la reserva de presión del tanque de aire.

Regulador: Controla la presión de aire mostrada en el manómetro de salida. Tire de la perilla y gírela en sentido horario para incrementar la presión, y hágalo en sentido inverso para disminuirla. Cuando se logre la presión deseada, presione la perilla para bloquearla.

Válvula de drenaje: La válvula de drenaje se encuentra ubicada sobre la base del tanque de aire y se usa para drenar la condensación al fin de cada uso.



Sistema de enfriamiento (no mostrado):

Este compresor contiene un sistema de avanzada para el control de enfriamiento. En el núcleo de este sistema de enfriamiento hay un ventilador especialmente diseñado. Resulta perfectamente normal - para este ventilador - soplar aire en grandes cantidades a través de los orificios de ventilación. De tal manera se podrá saber que el sistema de enfriamiento trabaja cuando el aire está siendo expelido.

Bomba de compresión del aire (no mostrada): Comprime el aire dentro del tanque. El aire de trabajo no se encuentra disponible hasta que el compresor haya alcanzado a llenar el tanque hasta un nivel de presión por encima del requerido para la salida del aire.

Válvula reguladora: Cuando el compresor de aire se encuentra funcionando, la válvula reguladora esta "abierta", permitiendo la entrada del aire comprimido al tanque de aire. Cuando el nivel de presión del tanque alcanza el punto de "corte", la válvula reguladora "se cierra", reteniendo la presión del aire dentro del tanque.



Válvula aliviadora de presión: La válvula aliviadora de presión se encuentra ubicada en el costado del interruptor de presión; ha sido diseñada para liberar automáticamente el aire comprimido de la cabeza compresora y el tubo de salida, cuando el compresor de aire alcanza la presión de "corte" o es apagado. La válvula aliviadora de presión permite el arranque libre del motor. Cuando el motor se detiene, debería escucharse el escape del aire a través de dicha válvula durante unos segundos. No debe escucharse escape alguno mientras el motor está en marcha, ni pérdidas continuas una vez que se alcanzó la presión "de corte".



Protección para sobrecarga del motor: El motor tiene un reposicionador térmico por sobrecarga del motor. Si el motor se sobrecalentase, por cualquier razón, el protector de sobrecarga desconectará al motor. El motor deberá ser dejado enfriar antes de volver a ponerlo en marcha. El compresor volverá a arrancar

automáticamente una vez enfriado el motor. Si el protector de sobrecarga apaga el motor con mucha frecuencia, verifique si hay algún posible problema de voltaje. También se puede sospechar de bajo voltaje cuando:

1. El motor no alcanza toda su potencia o velocidad.
2. Los fusibles se queman cuando se arranca el motor; las luces se atenúan y siguen atenuadas cuando el motor es arrancado y está en funcionamiento.

Cómo utilizar su unidad

Cómo detenerla:

1. Coloque la posición de la llave interruptora On/Auto/Off en la posición "OFF".

Antes de poner en marcha

⚠ ADVERTENCIA Riesgo de Operación

Insegura. Si las siguientes instrucciones no fuesen seguidas estrictamente, podrán ocurrir serios daños. Este procedimiento es necesario antes de poner en servicio al compresor de aire, y cuando la válvula reguladora o la bomba completa del compresor haya sido reemplazada.

1. Asegúrese que la palanca On/Auto/Off esté en la posición "OFF".

NOTA: Tire del acoplamiento hacia atrás hasta percibir el "clic" que impide el escape del aire de la conexión rápida.

2. Enchufe el cable de alimentación en el receptáculo del ramal del circuito correcto. (Referirse al párrafo "Protección del voltaje y del circuito" en la sección "Instalación" de este manual).
3. Abra completamente la válvula de drenaje (sentido antihorario) a fin de permitir la salida del aire e impedir el aumento de la presión dentro del tanque de aire durante el periodo de asentamiento.
4. Mueva la palanca On/Auto/Off a la posición "ON/AUTO". El compresor se pondrá en marcha.
5. Haga funcionar el compresor durante 15 minutos. Asegúrese de que la válvula de drenaje esté abierta y que la presión de aire acumulado en el tanque sea mínima.
6. Luego de 15 minutos, cierre la válvula de drenaje (sentido horario). El aire recibido irá llenando hasta el punto de "corte" de presión, y el motor se detendrá.

El compresor estará ahora listo para ser usado.

Antes de cada puesta en marcha:

1. Coloque el interruptor On/Auto/Off en la posición "OFF" y cierre el regulador de aire.
2. Tire de la perilla del regulador, gire en sentido antihorario hasta el límite. Empuje la perilla hasta su posición bloqueante.
3. Conecte la manguera y accesorios.
NOTA: Tanto la manguera como los accesorios requerirán un enchufe de conexión rápida si la salida del aire está equipada con un zócalo de conexión rápida.

⚠ ADVERTENCIA Riesgo de Explosión.

Demasiada presión de aire podrá ser la causa de riesgo de explosión. Verifique los valores de máxima presión dados por el fabricante de las herramientas neumáticas y los accesorios. La presión de salida del regulador jamás debe exceder los valores de máxima presión especificados.

Cómo poner en marcha:

1. Mueva la palanca On/Auto/Off a la posición "AUTO" y deje que se incremente la presión del tanque. El motor se detendrá una vez alcanzado el valor de presión "de corte" del tanque.
2. Tire de la perilla del regulador y gire en sentido horario para incrementar la presión. Cuando el valor deseado de presión sea logrado, presione la perilla hasta su posición bloqueante. El compresor estará listo para ser usado.

NOTA: Opere siempre el compresor de aire en áreas bien ventiladas, libres de gasolina u otras emanaciones combustibles. Si el compresor será utilizado para utilizar un rociador, NO lo coloque en las cercanías de la zona de rociado.

MANTENIMIENTO

Responsabilidades del cliente

	Antes de cada uso	Diariamente o luego de cada uso	Cada 40 horas	Cada 100 horas	Anualmente
Verifique la válvula de seguridad	●				
Drenaje del tanque		●			
Filtro de aire			●(1)	●	
Válvulas de entrada y escape de la bomba del compresor de aire					●
1- Más frecuente en condiciones polvorientas o húmedas.					

⚠ ADVERTENCIA **Riesgo de Operación**
Insegura: La unidad arranca automáticamente cuando está enchufada. Al hacer el mantenimiento, el operador puede quedar expuesto a fuentes de corriente y de aire comprimido o a piezas móviles. Antes de intentar hacer reparaciones, desconectar el compresor del tomacorriente, drenar la presión de aire del tanque y esperar a que el compresor se enfríe.

Para asegurar una operación eficiente y una vida útil más prolongada del compresor de aire debe prepararse y seguirse un programa de mantenimiento de rutina. El siguiente programa de mantenimiento de rutina está diseñado para un equipo funcionando diariamente en un ambiente normal de trabajo. Si fuese necesario, el programa debe ser modificado para adaptarse a las condiciones bajo las cuales se usa su compresor. Las modificaciones dependerán de las horas de operación y del ambiente de trabajo. Los equipos de compresión funcionando en un ambiente sumamente sucio y hostil requerirán mayor frecuencia de todas las verificaciones de mantenimiento.

NOTA: Vea en la sección "Operación" la ubicación de los controles.

Cómo verificar la válvula de seguridad

⚠ ADVERTENCIA **Riesgo de Explosión.** Si la válvula de seguridad no trabaja adecuadamente, ello podrá determinar la sobrepresión del tanque, creando el riesgo de su ruptura o explosión.

1. Antes de poner en marcha el motor, tire del anillo de la válvula de seguridad para confirmar la seguridad de que la misma opera libremente, si la válvula quedase trabada o no trabajara cómodamente, deberá ser reemplazada por el mismo tipo de válvula.

Cómo drenar el tanque

1. Apagar la unidad colocando el interruptor en On/Auto/OFF en "OFF".
2. Tire de la perilla del regulador y gire en sentido contrario a las agujas de reloj para establecer la salida de presión en cero.
3. Remueva la herramienta neumática o el accesorio.
4. Tire del aro de la válvula de seguridad dejando purgar el aire del tanque hasta que este reduzca su presión aproximadamente a 20 PSI. Suelte el aro de la válvula de seguridad.
5. Drene el agua contenida en el tanque de aire, abriendo la válvula de drenaje ubicada en la base del tanque (en sentido contrario a las agujas de reloj).

⚠ ADVERTENCIA Riesgo de Explosión. Dentro del tanque se producirá condensación de agua. Si no drena, el agua lo corroerá y debilitará causando un riesgo de ruptura del tanque de aire.

6. Una vez drenada el agua, cierre la válvula de drenaje (girando en sentido horario). Ahora el compresor de aire podrá ser guardado.

NOTA: Si la válvula de drenaje fuera del tipo enchufe, elimine toda la presión de aire. La válvula podrá entonces ser extraída, limpiada y finalmente reinstalada.

Filtro de Aire Inspección y reemplazo

⚠ ADVERTENCIA Riesgo de quemaduras. El cabezal y la manga del cilindro del compresor se calientan mucho; no tocarlos. Permitir que el compresor se enfríe antes de darle servicio.

Un filtro de aire sucio no permitirá que el compresor opere a plena capacidad. Mantenga el filtro de aire limpio en todo momento.



1. Extraiga el retén del filtro de aire.
 2. Retire el filtro de aire y asegúrese de que esté limpio.
- IMPORTANTE:** No opere el compresor sin el filtro de aire.
3. Si está sucio enjuague el filtro de aire con agua tibia y exprímalo hasta que seque.

NOTA: Si el filtro de aire está sumamente sucio necesitará ser reemplazado. Consulte la sección "Repuestos" para obtener el número correcto de la pieza.

Válvulas de entrada y escape de la bomba del compresor de aire

Una vez al año haga que un Técnico Capacitado de Servicio inspeccione las válvulas de entrada y escape de la bomba del compresor de aire.

SERVICIO Y AJUSTES

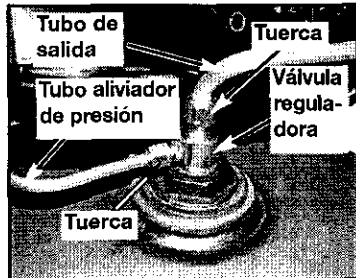
Todo tipo de mantenimiento y operaciones de reparación no mencionados, deberán ser efectuados por personal técnico especializado.

⚠ ADVERTENCIA Riesgo de Operación

Insegura: La unidad arranca automáticamente cuando está enchufada. Al hacer el mantenimiento, el operador puede quedar expuesto a fuentes de corriente y de aire comprimido o a piezas móviles. Antes de intentar hacer reparaciones, desconectar el compresor del tomacorriente, drenar la presión de aire del tanque y esperar a que el compresor se enfríe.

Para reemplazar o limpiar la válvula de retención

1. Libere toda la presión del tanque de aire. Vea "Cómo Drenar el Tanque" en la sección "Mantenimiento".
2. Apagar la unidad colocando el interruptor en On/Auto/OFF en "OFF".
3. Utilizando una llave regulable, afloje la tuerca de salida del tubo del tanque de aire y la bomba. Retire cuidadosamente la tubería de salida

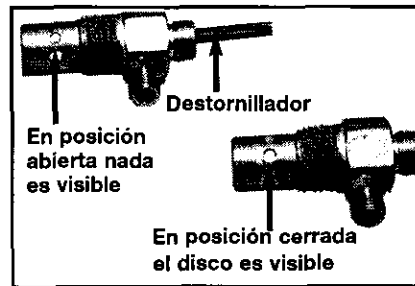


de la válvula de retención.

4. Utilizando una llave regulable, afloje el tubo aliviador de presión del tanque de aire y el interruptor de presión. Retire cuidadosamente la tubería de alivio de presión de la

válvula de retención.

5. Desenrosque la válvula de retención girándola hacia la izquierda usando una llave de boca de 7/8 plug. (22 mm). Tome nota de la orientación para volverla a ensamblar.
6. Usando un destornillador, empuje con cuidado el disco de la válvula hacia arriba y hacia abajo. **NOTA:** El disco de la válvula debe moverse libremente hacia arriba y hacia abajo sobre un resorte que detiene el disco de la válvula en la posición cerrada. Si no lo hace, la válvula de retención

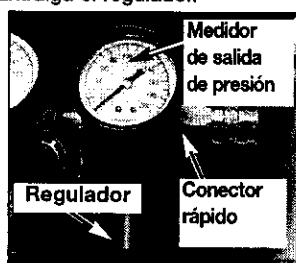


necesita ser limpiada o reemplazada.

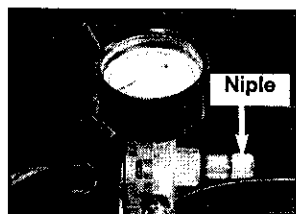
7. Limpie o reemplace la válvula de retención. Un solvente, tal como un removedor de pintura o de barniz puede usarse para limpiar la válvula de retención.
8. Aplique sellador a las roscas de la válvula de retención. Vuelva a instalar la válvula de retención (gire a la derecha).
9. Vuelva a instalar la tubería de alivio de presión. Ajuste las tuercas.
10. Vuelva a instalar la tubería de salida y ajuste las tuercas.
11. Ejecute el procedimiento de puesta en marcha. Vea "Procedimiento de Puesta en Marcha" en la sección "Operación".

Para reemplazar el regulador

1. Libere toda la presión del aire del tanque. Vea "Drenaje del tanque" en la sección "Mantenimiento".
2. Apagar la unidad colocando el interruptor en On/Auto/OFF en "OFF".
3. Usando una llave de tuercas ajustable retire el medidor de salida de presión y la conexión rápida del regulador (si la tiene).
4. Extraiga el regulador.



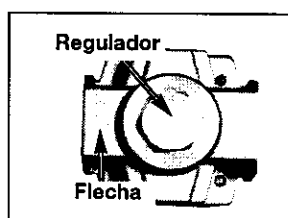
5. Aplique cinta selladora de cañerías sobre el niple del tubo vertical.



6. Ensamble el regulador y oriéntelo de acuerdo a lo mostrado.



NOTA: La flecha indica el sentido del flujo del aire. Asegúrese que esté apuntando a la dirección en la que fluye el aire.



7. Reaplique sellador de cañerías al manómetro de presión externa y a la conexión rápida.
8. Rearme el manómetro de presión de salida y el conector rápido. Oriente el manómetro de salida para permitir su lectura correctamente. Ajuste las conexiones con a llave.

ALMACENAJE

Antes de guardar su compresor de aire, asegúrese de hacer lo siguiente:

1. Revise la sección "Mantenimiento" de las páginas precedentes y ejecute el mantenimiento programado de acuerdo a la necesidad.
2. Apagar la unidad colocando el interruptor en On/Auto/OFF en "OFF".
3. Gire el regulador en sentido antihorario y fije la presión de salida en cero.
4. Extraiga la herramienta neumática o el accesorio.
5. Tire del anillo de la válvula de seguridad permitiendo el purgado del aire del tanque hasta que la presión del mismo llegue aproximadamente a 20 PSI. Suelte el anillo de la válvula de seguridad.
6. Drene el agua del tanque de aire abriendo la válvula de drenaje ubicada en el fondo del tanque.

⚠ ADVERTENCIA

Riesgo de Explosión. El

agua se condensa dentro del tanque de aire. Si no se drena, ella corroerá debilitando la paredes del tanque de aire, originando un riesgo de ruptura de sus paredes.

7. Una vez que el agua haya sido drenada, cierre la válvula de drenaje.

NOTA: Si la válvula de drenaje estuviese enchufada, libere toda la presión de aire. La válvula podrá ser extraída, limpiada y luego reinstalada.

8. Proteja el cable eléctrico y las mangueras de aire de daños (tales como ser pisoteados o pasados por encima). Enróllelos en forma floja, alrededor de la manija del compresor. (Si estuviera equipado con ella.)
9. Almacene el compresor de aire en un sitio limpio y seco.

GUÍA DE DIAGNÓSTICO DE PROBLEMAS

⚠ ADVERTENCIA **Riesgo de Operación Insegura:** La unidad arranca automáticamente cuando está enchufada. Al hacer el mantenimiento, el operador puede quedar expuesto a fuentes de corriente y de aire comprimido o a piezas móviles. Antes de intentar hacer reparaciones, desconectar el compresor del tomacorriente, drenar la presión de aire del tanque y esperar a que el compresor se enfríe.

PROBLEMA	CAUSA	CORRECCIÓN
Presión excesiva del tanque - la válvula de seguridad se dispara.	<p>El interruptor de presión no interrumpe al motor cuando el compresor alcanza la presión "de corte".</p> <p>El interruptor de presión "de corte" esta calibrado demasiado alto.</p>	<p>Mueva la palanca On/Auto/Off a la posición "OFF", si el equipo no corta, contacte a un técnico calificado para el servicio.</p> <p>Contacte a un técnico de servicio calificado.</p>
Las conexiones pierden aire.	Las conexiones de los tubos no están suficientemente ajustadas.	Ajuste las conexiones en las que el aire puede ser escuchado escapándose. Verifique las conexiones con solución jabonosa y agua. NO SOBREAJUSTE.
Hay fugas de aire en la válvula de retención o dentro de ella.	Compruebe si el asiento de la válvula está dañado.	Una válvula de retención defectuosa causa una fuga constante de aire en la válvula de alivio de presión cuando hay presión en el tanque y se apaga el compresor. Reemplace la válvula de retención. Consulte "Cómo Reemplazar o Limpiar la Válvula de Retención" en la sección "Servicio y ajuste".
Pérdida de presión de aire en el interruptor de la válvula aliviadora.	Un interruptor de presión defectuoso libera la válvula.	Contacte a un técnico calificado en servicio.
Pérdida de aire en el tanque de aire o en las soldaduras del tanque de aire.	Tanque de aire defectuoso.	<p>El tanque de aire debe ser reemplazado. No repare la pérdida.</p> <p>⚠ ADVERTENCIA Riesgo de Explosión. No perforo, suelde ni modifique el tanque en forma alguna porque se debilitará.</p>
Pérdida de aire entre el cabezal y el plato de válvula.	Pérdida en el sellado.	Contacte a un técnico calificado en servicio.

PROBLEMA	CAUSA	CORRECCIÓN
La lectura de la presión sobre un manómetro (si viene equipado con éste) desciende cuando se utiliza un accesorio.	Es normal que ocurra algún descenso en la presión.	Si hubiese una caída excesiva de presión durante el uso del accesorio, ajuste el regulador de acuerdo a las instrucciones de la sección Operación. NOTA: Ajuste la presión regulada bajo condiciones de flujo (mientras se esté usando el accesorio).
Golpeteo.	Posible defecto en la válvula de seguridad.	Opere la válvula de seguridad manualmente tirando de su anillo. Si la válvula aun pierde, deberá ser reemplazada.
	Posible defecto en la válvula de seguridad.	Extraiga y limpie o reemplace.
El compresor no esta suministrando suficiente cantidad de aire para operar los accesorios.	Excesivo y prolongado uso del aire.	Disminuya la cantidad de uso de aire.
	El compresor no tiene suficiente capacidad para el requerimiento de aire al que está sometido.	Verifique el requerimiento de aire del accesorio. Si es mayor que SCFM o la presión suministrada por su compresor de aire, se necesita un compresor de mayor capacidad.
	Orificio en la manguera.	Verifique y reemplace si fuese necesario.
	Válvula reguladora restringida.	Extraiga, limpie o reemplace.
	Pérdida de aire.	Ajuste las conexiones.
Filtro de entrada de aire restringido.	Limpie o reemplace el filtro de entrada de aire. No opere el compresor de aire sin el filtro. Consulte el párrafo "Filtro de Aire" en la sección "Mantenimiento".	
El regulador tiene una fuga continua de aire.	Regulador dañado.	Reemplace.
El regulador no cierra la salida del aire.	Regulador dañado.	Reemplace.

PROBLEMA	CAUSA	CORRECCIÓN
<p>El motor no funciona.</p>	<p>El interruptor de protección des obrecarga del motor se ha abierto.</p> <p>La presión del tanque excede la presión de "corte máximo" del interruptor de presión.</p> <p>El cordón de extensión es del largo o calibre equivocados.</p> <p>La válvula de retención se ha quedado abierta.</p> <p>Conexiones eléctricas sueltas.</p> <p>Posible motor o capacitor de arranque defectuosos.</p> <p>Rociado de pintura en las partes internas del motor.</p> <p>La válvula de liberación de presión en el interruptor de presión no ha descargado la carga de presión.</p> <p>Fusible quemado, disyuntor abierto.</p>	<p>Deje enfriar el motor y el interruptor de sobrecarga se reajustará automáticamente.</p> <p>El motor arrancará automáticamente cuando la presión del tanque caiga por debajo de la presión de corte máxima del interruptor de presión.</p> <p>Compruebe el calibre y la longitud apropiados del cordón.</p> <p>Extraiga, limpie o reemplace.</p> <p>Compruebe la conexión de cableado dentro del interruptor de presión y del área de la caja de terminales.</p> <p>Haga inspeccionar por un técnico capacitado de servicio.</p> <p>Haga inspeccionar por un técnico capacitado de servicio. No haga funcionar el compresor en el área de pintura por rociado. Vea la advertencia acerca de vapores inflamables.</p> <p>Purgue la línea empujando la palanca en el interruptor de presión a la posición "OFF" [Apagado]; si la válvula no se abre, reemplace el interruptor.</p> <ol style="list-style-type: none"> 1. Inspeccione la caja de fusibles para determinar si hay fusibles quemados y reemplácelos según sea necesario. Reajuste el disyuntor. No use un fusible o disyuntor con capacidad mayor que la especificada para su circuito especificado. 2. Compruebe si el fusible es el correcto. Debe usar un fusible de acción retardada. 3. Compruebe si existen condiciones de bajo voltaje y/o si el cordón de extensión es el correcto. 4. Desconecte todos los otros artefactos eléctricos del circuito u opere el compresor en su propio circuito.

NOTES/NOTAS

Repair Protection Agreements

Congratulations on making a smart purchase. Your new Craftsman® product is designed and manufactured for years of dependable operation. But like all products, it may require repair from time to time. That's when having a Repair Protection Agreement can save you money and aggravation.

Purchase a Repair Protection Agreement now and protect yourself from unexpected hassle and expense.

Here's what's included in the Agreement:

- Expert service** by our 12,000 professional repair specialists
- Unlimited service and no charge** for parts and labor on all covered repairs
- Product replacement** if your covered product can't be fixed
- Discount of 10%** from regular price of service and service-related parts not covered by the agreement; also, 10% off regular price of preventive maintenance check
- Fast help by phone** - phone support from a Sears technician on products requiring in-home repair, plus convenient repair scheduling

Once you purchase the Agreement, a simple phone call is all that it takes for you to schedule service. You can call anytime day or night, or schedule a service appointment online.

Sears has over 12,000 professional repair specialists, who have access to over 4.5 million quality parts and accessories. That's the kind of professionalism you can count on to help prolong the life of your new purchase for years to come. Purchase your Repair Protection Agreement today!

Some limitations and exclusions apply.

For prices and additional information call 1-800-827-6655.

Sears Installation Service

For Sears professional installation of home appliances, garage door openers, water heaters, and other major home items, in the U.S.A. call **1-800-4-MY-HOME®**

Contratos de Protección para Reparaciones

Felicitaciones por hacer una compra inteligente. Su nueva unidad Craftsman® está diseñada y fabricada para años de operación confiable; pero como todos los productos de calidad podrían requerir reparaciones de vez en cuando. Ahí es cuando el Contrato de Protección para Reparaciones le puede ahorrar dinero y molestias.

Compre ahora un Contrato de Protección para Reparaciones y protéjase contra apuros y gastos inesperados.

El contrato incluye lo siguiente:

- Servicio Experto** por uno de nuestros 12.000 profesionales especializados en reparaciones.
- Servicio ilimitado sin cargos** por repuestos ni mano de obra por todas las reparaciones cubiertas,
- Reemplazo de la unidad** si su unidad cubierta no puede repararse.
- Descuento del 10%** en servicios y repuestos no cubiertos por este contrato. También 10% de descuento del precio regular por cualquier inspección de mantenimiento preventivo.
- Asistencia telefónica rápida** por personal técnico de soporte de Sears para las unidades que requieran repararse en su domicilio en horarios convenientes para usted.

Una vez que usted compre su Contrato, sólo necesita hacer una simple llamada telefónica para programar su servicio. Puede llamar a cualquier hora, en el día o la noche, o hacerlo por línea vía internet.

Sears tiene más de 12.000 profesionales especializados en reparaciones que tienen acceso a más 4,5 millones de repuestos y accesorios de calidad. Ese es el tipo de profesionalismo con el cual usted puede contar para ayudarlo a prolongar la vida útil de su unidad durante todos los años por venir. ¡Compre hoy su Contrato de Protección para Reparaciones!

Se aplican algunas limitaciones y exclusiones. Para precios e información adicional, llame al 1-800-827-6655.

Servicio de Instalaciones de Sears

Para instalaciones profesionales por Sears de artefactos para el hogar, como abridores de puertas de garajes calentadores de agua y otros artefactos grandes del hogar, en EE.UU. llame al **1-800-4-MY-HOME®**

Get it fixed, at your home or ours!

Your Home

For repair – **in your home** – of all major brand appliances, lawn and garden equipment, or heating and cooling systems, **no matter who made it, no matter who sold it!**

For the replacement parts, accessories and owner's manuals that you need to do-it-yourself.

For Sears professional installation of home appliances and items like garage door openers and water heaters.

1-800-4-MY-HOME[®] Anytime, day or night
(1-800-469-4663) (U.S.A. and Canada)
www.sears.com www.sears.ca

Our Home

For repair of carry-in products like vacuums, lawn equipment, and electronics, call or go on-line for the nearest **Sears Parts and Repair Center.**

1-800-488-1222 Anytime, day or night (U.S.A. only)
www.sears.com

To purchase a protection agreement (U.S.A.) or maintenance agreement (Canada) on a product serviced by Sears:

1-800-827-6655 (U.S.A.) **1-800-361-6665** (Canada)

Para pedir servicio de reparación a domicilio, y para ordenar piezas:

1-888-SU-HOGARSM
(1-888-784-6427)

Au Canada pour service en français:

1-800-LE-FOYER^{MC}
(1-800-533-6937)
www.sears.ca

SEARS

© Sears, Roebuck and Co.

® Registered Trademark / TM Trademark / SM Service Mark of Sears, Roebuck and Co.

® Marca Registrada / TM Marca de Fábrica / SM Marca de Servicio de Sears, Roebuck and Co.

^{MC} Marque de commerce / ^{MD} Marque déposée de Sears, Roebuck and Co.