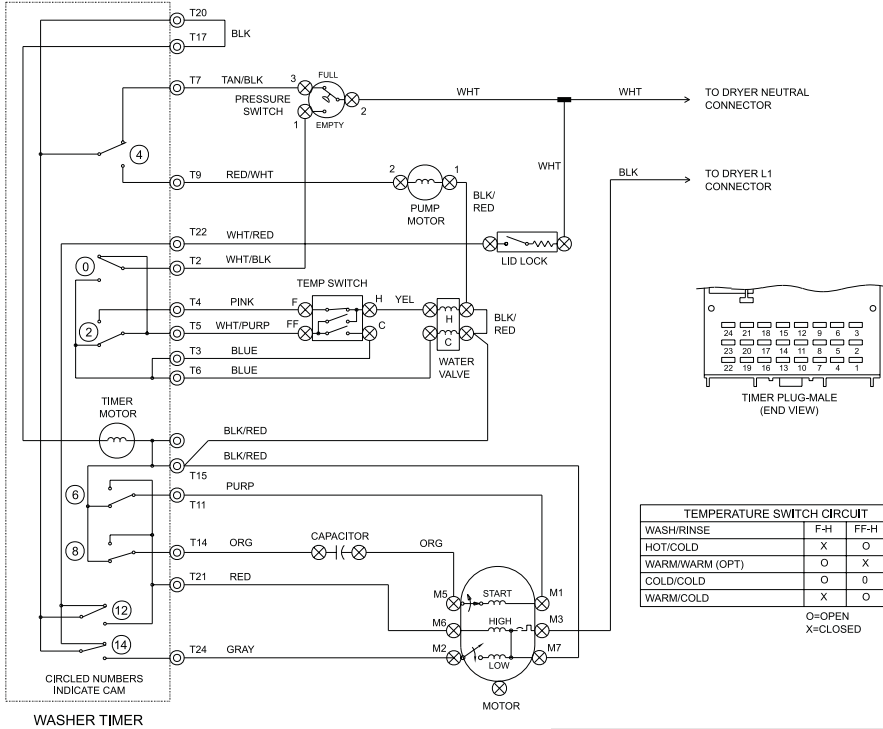
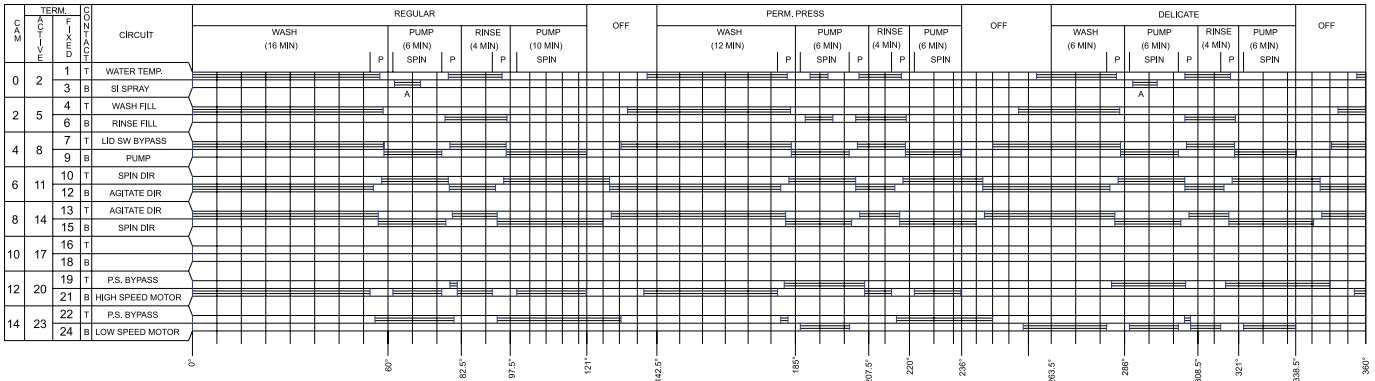


CAUTION: DISCONNECT ELECTRIC CURRENT BEFORE SERVICING



SUBINTERVAL SPRAY DETAIL



SPRAY TO OCCUR DURING THE INDICATED INTERVAL

WIRING CODES

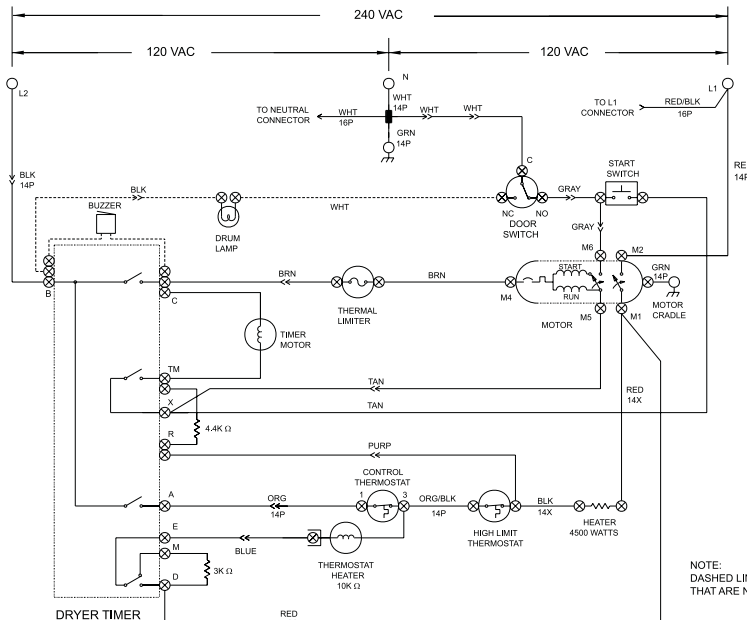
- ⊙ PLUG-IN TIMER
- ⊗ QUICK DISCONNECT TERMINAL
- ⊕ CONNECTION
- ⊖ NO CONNECTION
- ⊗ MOTOR SWITCH
- ⊕ SPLICE
- ⊖ MOTOR PROTECTOR
- ⊗ CHASSIS (CABINET) GROUND
- ⊕ SCREW TERMINAL
- ⊖ HARNESS CONNECTOR TERMINAL
- ⊗ INSULATED TERMINAL

NOTES:

- ALL WIRING MUST CONFORM TO LOCAL ELECTRICAL CODES.
 - CONNECT DRYER TO 30 AMP INDIVIDUAL BRANCH CIRCUIT.
 - DRYER TIMER SHOWN IN OFF POSITION DOOR SWITCH CLOSED, MOTOR AT REST, AN THERMOSTAT CLOSED.
- WASHER TIMER SHOWN IN ON POSITION TEMPERATURE SELECTOR SWITCH AT HOT WASH/COLD RINSE, AND PRESSURE SWITCH FULL.

CYCLES

CIRCUIT	AUTO DRY		OFF	TIMED DRY (MIN)			OFF	KNIT CYCLE			OFF
	38.5	20		106	75	50		25	59.7	40	
HEATER	B-A										
MOTOR	B-C										
TIMER	X-TM										
MEDIUM HEAT	E-M										
LOW HEAT	E-D										



SHADED PORTION OF BAR CHART INDICATES THE PROPORTIONAL TIMES THAT INTERNAL TIMER CONTACTS ARE CLOSED.

BAR CHART ABOVE REPRESENTS ONE COMPLETE REVOLUTION OF TIMER SHAFT.

WIRE SPECIFICATIONS

CODE	WIRE GAUGE A.W.G.	INSULATION MATERIAL
18P	18	105°C PVC (POLYVINYLCHLORIDE)
16P	16	
14P	14	
14X	14	125° X-LINK

NOTE: ALL UNSPECIFIED WIRE CODES ARE 18P.

NOTE: DASHED LINES INDICATE CIRCUITS THAT ARE NOT IN ALL MODELS.