



30" Gas Downdraft Cooktop

PRODUCT MODEL NUMBERS

SC8720ED

Gas supply: Use 3/4" rigid pipe gas supply line to the range location. A smaller size pipe on long runs may result in insufficient gas supply. With L.P. gas, piping or tubing size can be 1/2" minimum. If local codes permit, it is recommended that new flexible metal tubing, design-certified by AGA or CSA, 4-5 feet long, 1/2- or 3/4-inch I.D., be used for connecting the range to the rigid gas supply line. A 1/2" male pipe thread is needed for connection to pressure regulator female pipe threads. An individual manual shutoff valve must be located in the same room, but external to the range.

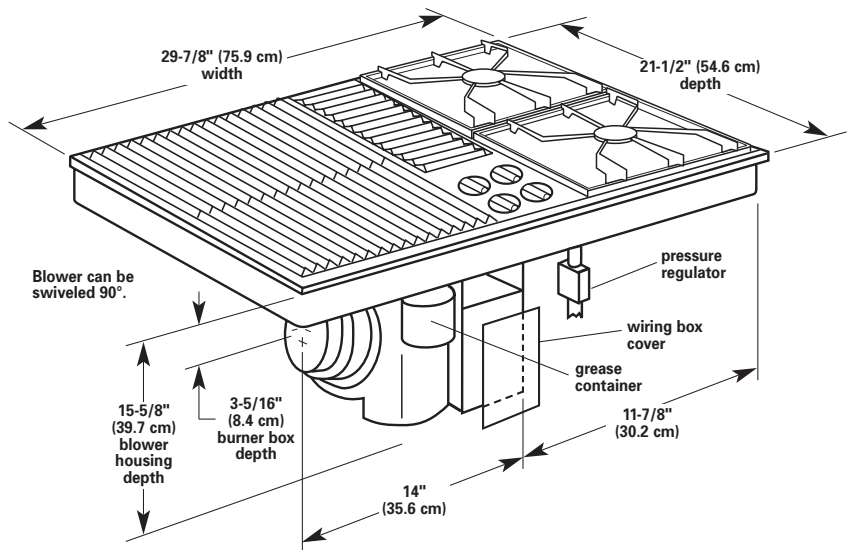
Electrical: A 120-volt, 60-Hz, AC-only, 15- or 20-ampere, fused electrical supply is required. A time-delay fuse or circuit breaker is recommended. It is recommended that a separate circuit serving only this appliance be provided.

Venting system: Use metal vent only. Exception: Under a concrete slab, PVC may be used; see Installation Instructions for details. Rigid metal vent is recommended. Do not use plastic or metal foil vent.

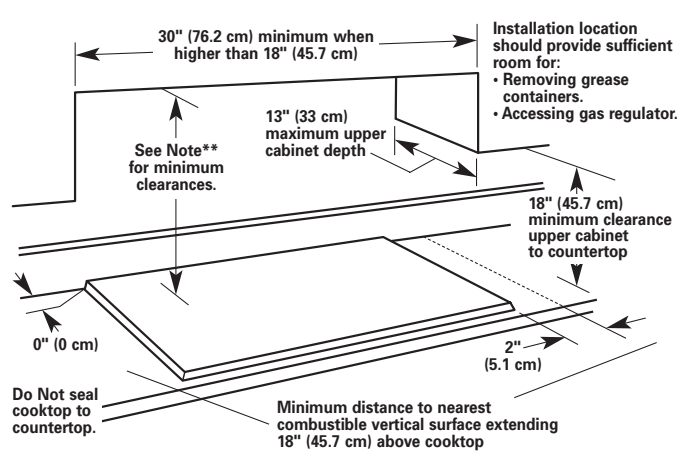
This downdraft cooktop is rated at 60 feet (18.3 m) of straight vent or the equivalent. If vent length is 10 feet (3 m) or less, 5" diameter round vent may be used. If vent length is more than 10 feet (3 m), use 6" diameter round or 3-1/4" x 10" (8.3 x 25.4 cm) rectangular vent. Venting system must terminate to the outside.

All openings in the wall or floor where cooktop is to be installed must be sealed.

OVERALL DIMENSIONS



CABINET OPENING DIMENSIONS



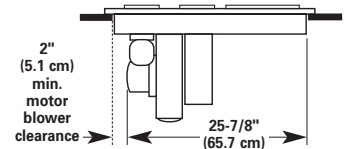
**** Note:** 30" (76.2 cm) minimum when bottom of wood or metal cabinet is protected by not less than 1/4" flame retardant millboard covered with not less than No. 28 MSG sheet steel, 0.015" stainless steel, 0.024" aluminum or 0.020" copper.

36" (91.4 cm) minimum clearance between the top of the cooking platform and bottom of unprotected wood or sheet metal.

Side clearance — 2" (5.1 cm) minimum clearance is required. 6" (15.2 cm) clearance between side of cooktop and side wall is recommended for maximum ventilation performance.

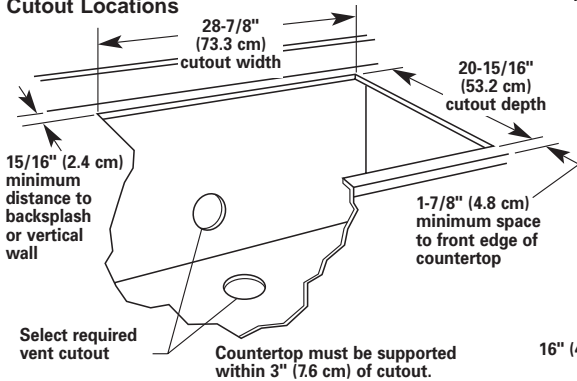
Rear clearance — The rear edge of the cooktop may be installed flush with countertop backsplash. 15/16" (2.4 cm) clearance between rear edge of appliance and rear wall is recommended.

Motor/blower clearance — 2" (5.1 cm) clearance is required between motor and cabinet for proper cooling. 6" (15.2 cm) clearance is recommended for maximum performance.



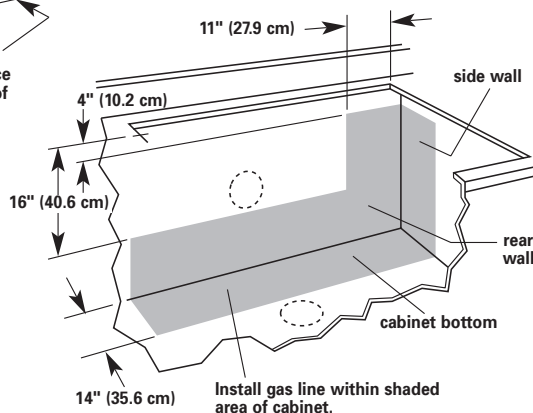
Minimum base cabinet dimensions —
 30" (76.2 cm) base cabinet
 24" (61.0 cm) base cabinet depth
 25" (63.5 cm) countertop depth

Exhaust Duct Cutout Locations



If cabinet has drawers, drawers will need to be removed and drawer fronts installed on front of cabinet.

Gas Line Location



Electrical Outlet Location

