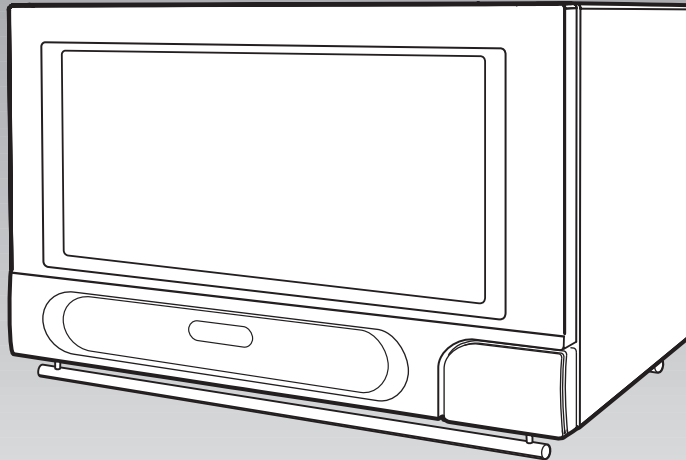


Installation Instructions

24" Above-the-Counter Microwave Oven



www.KitchenAid.com

IMPORTANT:
Read and save
these instructions.

IMPORTANT:

Installer: Leave Installation Instructions with the homeowner.

Homeowner: Keep Installation Instructions for future reference.

Save Installation Instructions for local electrical inspector's use.

Quick Reference

Table of Contents:

Pages

2	Before you start
3	Product dimensions
3	Location
4	Electrical requirements
4 - 6	Installation steps

For quick reference, please record the following:

Model Number _____

Serial Number _____

Model/Serial plate located on the oven behind the door.

Date of Purchase _____

Dealer _____ Phone No. _____

Before you start...

Your safety and the safety of others are very important.

We have provided many important safety messages in this manual and on your appliance. Always read and obey all safety messages.



This is the safety alert symbol.

This symbol alerts you to potential hazards that can kill or hurt you and others.

All safety messages will follow the safety alert symbol and either the word "DANGER" or "WARNING." These words mean:

DANGER

You can be killed or seriously injured if you don't **immediately** follow instructions.

WARNING

You can be killed or seriously injured if you don't follow instructions.

All safety messages will tell you what the potential hazard is, tell you how to reduce the chance of injury, and tell you what can happen if the instructions are not followed.

You need to:

- ✓ observe all governing codes and ordinances.
- ✓ install microwave oven as specified in these instructions or as specified on wall and upper cabinet templates.
- ✓ have everything you need to properly install microwave oven.
- ✓ check the microwave oven for damage. If any damage is evident, do not operate the microwave oven until it is checked by an authorized service technician.
- ✓ place a portion of carton or other heavy material between the microwave oven and the floor or countertop. Do not use a plastic cover.

- ✓ remove shipping materials and parts from inside the microwave oven. Locate templates and set them aside to be used later.
- ✓ make sure the microwave oven will be mounted against and supported by both a flat, vertical wall and upper cabinet or other horizontal structure.
- ✓ support for weight of 110 pounds, which includes microwave oven and items placed in the oven and upper cabinet.
- ✓ make sure the microwave oven mounting bracket will be attached to a minimum of one, vertical 2" x 4" wall stud.
- ✓ make sure not to mount the microwave oven to an island or peninsula cabinet.

Tools recommended for installation:

Assemble the required tools and parts before starting installation. Read and follow the instructions provided with any tools listed here.

- Phillips screwdriver
- electric drill
- 1/2", 5/8" and 3/32" drill bits
- 1-1/2" wood bit or metal hole cutter (if metal cabinet is used)
- protective covering, such as a blanket for microwave oven and countertop (you may also use carton for protection)
- scissors
- pencil
- measuring tape
- masking tape or similar

Parts included for Installation:

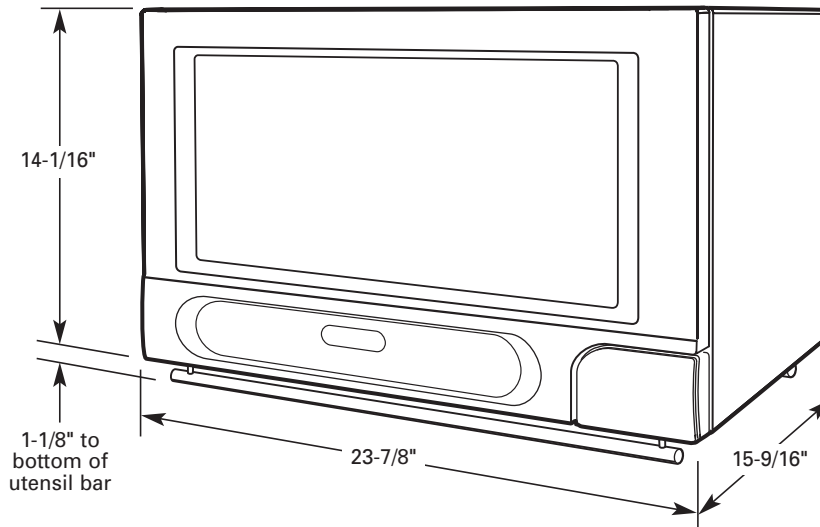
The installation hardware items are in a small bag. The 2 spacer plates are packed separately. All items are in a small carton packed below the oven.

- 6 - wood screws, 5 mm x 30 mm long
- 4 - toggle bolts with nuts, #10-24 x 50 mm long
- 2 - top cabinet screws, 5 mm x 60 mm long
- 1 - power cord hanger
- 3 - tapping screws, 4 mm x 12 mm long
- 2 - flat washers, 30 mm diameter
- 1 - grommet
- 2 - spacer plates

The Utensil Bar Kit is packed in a separate carton inside the microwave oven carton. The first three items are in a small bag.

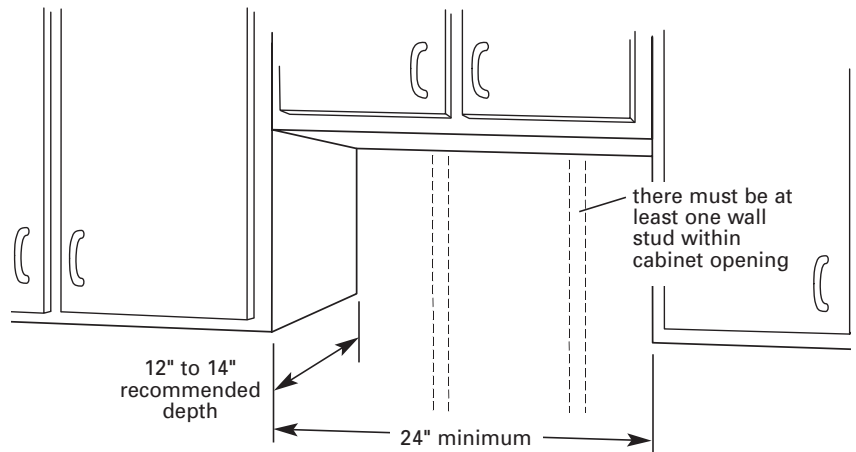
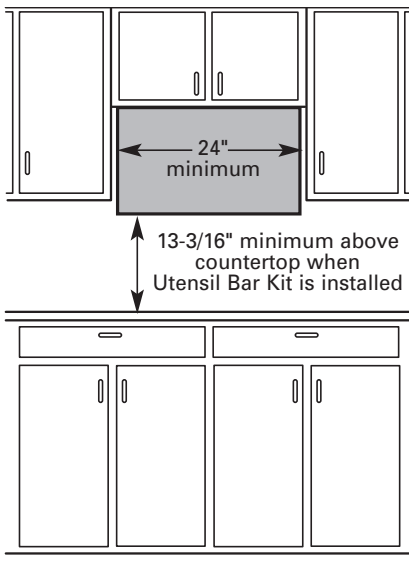
- 4 - sleeves
- 4 - screws
- 8 - S-hooks
- 2 - accessory bars

Product dimensions



Location

NOTE: This microwave oven is intended for installation over a countertop. Do not install this microwave oven above any heat source such as a range or cooktop.



WALL CONSTRUCTION

This microwave oven should be mounted against and supported by a flat vertical wall. The wall must be flat for proper installation. If the wall is not flat, use spacers to fill in the gaps. Wall construction should be a minimum of 2" x 4" wood studing and 3/8" or more thick dry wall or plaster/lath. The mounting surfaces must be capable of supporting weight of 110 pounds (the oven and contents) and the weight of all items which would normally be stored in the top cabinet above the microwave.

The microwave must be attached to a minimum of one 2" x 4" wall stud. To find the location of the studs, one of the following methods may be used:

- Use a stud finder, a magnetic device which locates the nails in the stud.
- Use a hammer to tap lightly across the mounting surface to find a solid sound. This will indicate stud location.

Electrical requirements

⚠ WARNING



Electrical Shock Hazard
Plug into a grounded 3-prong outlet.
Do not remove ground prong.
Do not use an adapter.
Do not use an extension cord.
Failure to follow these instructions can result in death, fire, or electrical shock.

IMPORTANT: Observe all governing codes and ordinances. It is the customer's responsibility: To contact a qualified electrical installer.

To assure that the electrical installation is adequate and in conformance with National Electrical Code, ANSI/NFPA 70 — latest edition*, and all local codes and ordinances.

You must have:

- ✓ 120-volt, 60Hz, AC-only, 15 or 20 amp, fused electrical supply.
- ✓ outlet located in the upper cabinet as close as possible to the microwave hood.

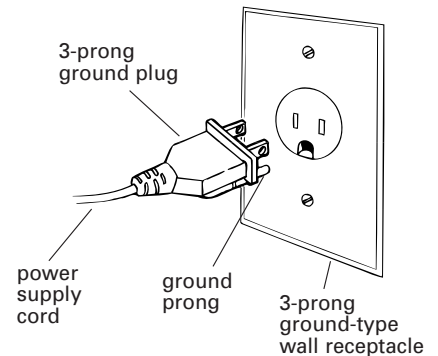
We recommend:

- ✓ a time-delay fuse or circuit breaker.
- ✓ a separate circuit serving this appliance only.

If codes permit and a separate ground wire is used, it is recommended that a qualified electrician determine that the ground path is adequate.

Radio or TV Interference

Should there be any interference caused by the microwave oven to your radio or TV, check that the microwave oven is on a different electrical circuit, relocate the radio or TV as far away from the oven as feasible or check position and signal of receiving antenna.



Recommended ground method

For your personal safety, this appliance must be grounded. This appliance is equipped with a power supply cord having a 3-prong ground plug. To minimize possible shock hazard, the cord must be plugged into a mating 3-prong ground-type wall outlet, grounded in accordance with the National Electrical Code, ANSI/NFPA 70 — latest edition*, and all local codes and ordinances.

Copies of the standards listed may be obtained from:

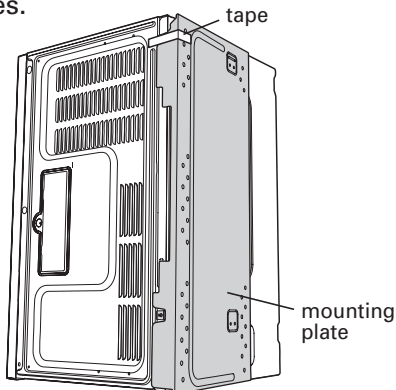
* National Fire Protection Association
One Batterymarch Park
Quincy, Massachusetts 02269

Installation steps

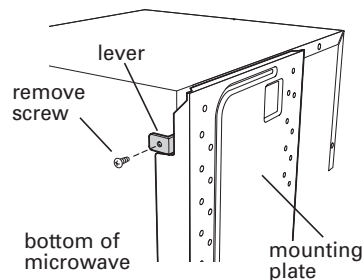
⚠ WARNING

Excessive Weight Hazard
Use two or more people to move and install microwave oven.
Failure to do so can result in back or other injury.

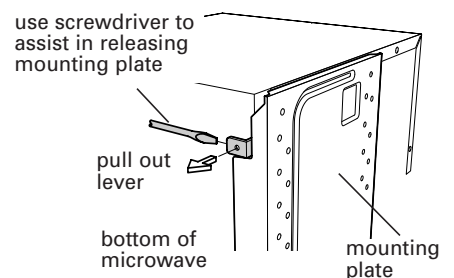
- 1.** Place oven on protective covering. Turn oven on one of its sides.



- 2.** Remove mounting plate from the back of the oven as follows:



- a.** There are two levers, one on each side of the oven bottom. One of the levers is held in place with a screw. This lever and screw are covered with a strip of tape. Remove tape.
- b.** Use Phillips screwdriver to remove screw from lever. Set screw aside, it will be reinstalled at Step 16.



- c.** Release mounting plate by pulling out lever.
- d.** When lever is out, pull that side of the mounting plate away from the oven.
- e.** Repeat Steps c and d on lever on other side.

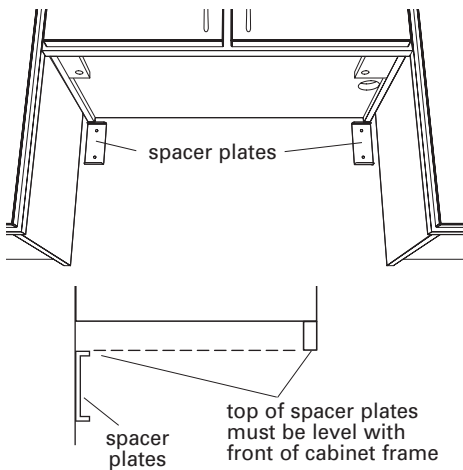
IMPORTANT: This oven cannot be properly installed without referring to the mounting instructions found on wall and upper cabinet templates.

3. Follow instructions on the wall template.

NOTE: There must be at least one wall stud within the cabinet opening area.

4. Follow instructions on the upper cabinet template.

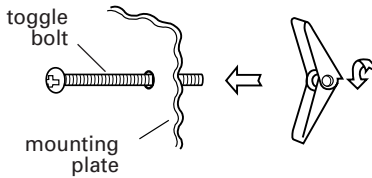
NOTE: If installing under a metal cabinet, make sure that grommet is installed in power supply cord hole.



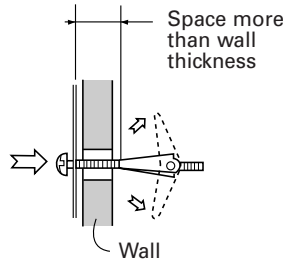
5. Make sure the templates have been removed. Locate the two spacer plates as shown in the upper right and left corners. The plates must be snug against the cabinet or frame bottom. Or, if the front edge of cabinet is lower than the back edge, adjust the spacer plates so that the top edge is level with front of cabinet frame. (Refer to wall template.) Tape spacer plates to wall.

6. Separate 4 toggle bolts packed in the installation hardware from the toggle nuts.

7. Match 5/8" holes (A, B, C and D from Wall template) drilled through wall to corresponding holes on mounting plate. Mark the holes on the mounting plate.

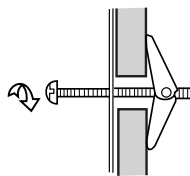


8. Insert toggle bolts into plate. Start toggle nuts on toggle bolts.



9. Position the mounting plate with the toggle bolts attached at the wall location and insert toggle nuts and bolts through the holes in the wall with the toggle nuts closed. Use wood screws to attach the mounting plate to studs. Do not tighten either toggle bolts or wood screws.

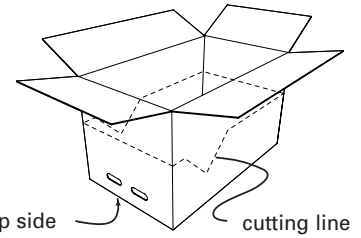
NOTE: Before insertion, be sure you leave a space more than the thickness of the wall between the mounting plate and the end of each of the toggle nuts (in the closed position). If you do not leave enough space, the toggle nut will not be able to open on the other side of the wall. Also, once a toggle nut opens, it cannot be withdrawn from the hole; therefore make sure all of the toggles are in the correct position before insertion.



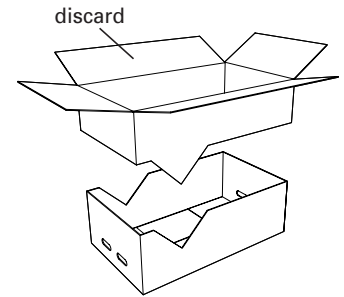
10. Pull toggle bolts toward you and finger tighten. Center mounting plate in opening and push mounting plate against spacer plates. Make sure spacer plates do not move. Tighten all toggle bolts and screws securely.

11. Discard spacer plates.

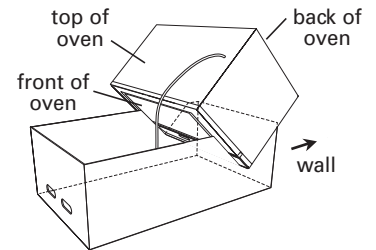
12. Using the carton may make installation easier. To use carton:



a. Place carton upside down.

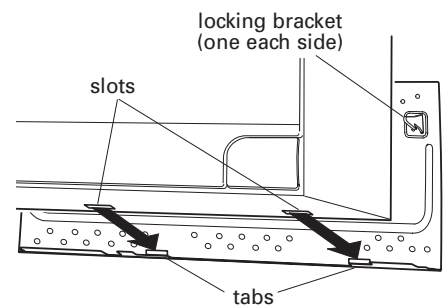


b. Using cutting line around the carton, cut into two pieces

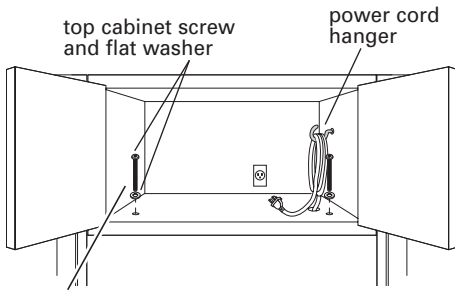


c. Position oven in carton as shown to assist in mounting to the wall.

13. Move microwave oven under cabinet opening. Thread power supply cord through hole in cabinet bottom.

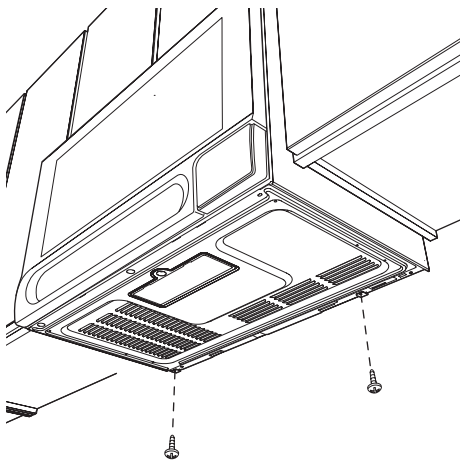


14. Lift microwave oven up and set back of microwave cabinet on mounting plate so that the tabs engage slots in bottom of microwave. Rotate oven back so that locking brackets snap into back of microwave oven.



NOTE: Screw length has been designed to accommodate 3/8" and above cabinet depth. If less, screw must be cut to required length.

15. Use two top cabinet screws and two flat washers supplied in the installation hardware to attach the unit to the top cabinet.



16. Secure the levers that are on the bottom of the oven. Reinstall tapping screw removed in Step 2b in one lever and install tapping screw from parts bag in other lever. Securely tighten screws.

17. Screw power cord hanger into convenient location inside cabinet. Make a bundle of the power supply cord and attach it to the power cord hanger.

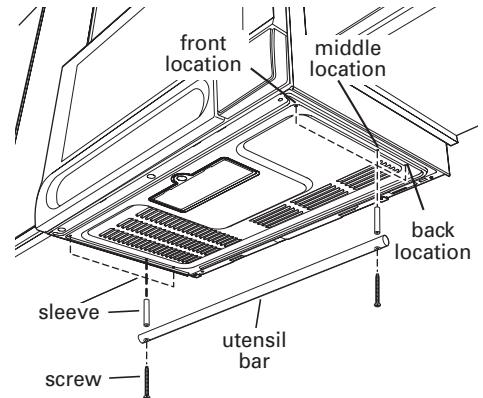
18. Plug power supply cord into a grounded 3-prong outlet.

To get the most efficient use from your above-the-counter microwave oven, read your Use and Care Guide.

Installing the Utensil Bar

NOTE: None, one or both of the utensil bars may be installed.

1. Open the carton and remove parts. Remove sleeves, screws and S-hooks from the bag.



2. Determine in which location(s) – front, middle, back – the bar(s) is/are to be installed.

3. Insert sleeves into holes in utensil bar. Insert screws through utensil bar and sleeves. Use Phillips screwdriver and tighten screws to bottom of oven.

IMPORTANT: To avoid blocking the vents, do not hang items such as towels from the utensil bar(s).

Total utensil weight should not exceed 5 lbs. per bar.

Notes

Part No. **8205028**/TINSEB229MRR1

© 2004 KitchenAid

® Registered trademark of KitchenAid, U.S.A.

3/2004
Printed in U.S.A.