

BOSCH MODELS DHD865AUC & DHD965AUC 30" & 36" DOWNDRAFT BLOWER SYSTEM

READ AND SAVE THESE INSTRUCTIONS

WARNING

TO REDUCE THE RISK OF FIRE, ELECTRIC SHOCK, OR INJURY TO PERSONS, OBSERVE THE FOLLOWING:

1. Use this unit only in the manner intended by the manufacturer. If you have questions, contact the manufacturer at the address or telephone number in the warranty.
2. Before servicing or cleaning unit, switch power off at service panel and lock the service disconnecting means to prevent power from being switched on accidentally. When the service disconnecting means cannot be locked, securely fasten a prominent warning device, such as a tag, to the service panel.
3. Installation work and electrical wiring must be done by a qualified person(s) in accordance with all applicable codes and standards, including fire-rated construction codes and standards.
4. Sufficient air is needed for proper combustion and exhausting of gases through the flue (chimney) of fuel burning equipment to prevent backdrafting. Follow the heating equipment manufacturer's guideline and safety standards such as those published by the National Fire Protection Association (NFPA), and the American Society for Heating, Refrigeration and Air Conditioning Engineers (ASHRAE), and the local code authorities.
5. When cutting or drilling into wall or ceiling, do not damage electrical wiring and other hidden utilities.
6. Ducted fans must always be vented to the outdoors.
7. To reduce the risk of fire, use only metal ductwork.
8. Do not install this product with the activating switch directly behind a burner or element. Minimum distance between the switch and the edge of the burner should be 4 inches.
9. Loose-fitting or hanging clothing should never be worn when operating this appliance. They may be ignited by burners/elements on cooktop.
10. Children should not be left alone or unattended in the area where this appliance is in use.
11. When flaming foods, turn the blower OFF. An operating blower may spread the flames.
12. This unit must be grounded.

TO REDUCE THE RISK OF A RANGE TOP GREASE FIRE:

1. Keep fan, filters and grease laden surfaces clean.
2. Always turn hood ON when cooking at high heat.
3. Use high range settings on range only when necessary. Heat oil slowly on low to medium setting.
4. Don't leave range unattended when cooking.
5. Always use cookware and utensils appropriate for the type and amount of food being prepared.

TO REDUCE THE RISK OF INJURY TO PERSONS IN THE EVENT OF A RANGE TOP GREASE FIRE, OBSERVE THE FOLLOWING^a:

WARNING

1. SMOTHER FLAMES with a close-fitting lid, cookie sheet, or metal tray, then turn off the burner. BE CAREFUL TO PREVENT BURNS. If the flames do not go out immediately, EVACUATE AND CALL THE FIRE DEPARTMENT.
2. NEVER PICK UP A FLAMING PAN - You may be burned.
3. DO NOT USE WATER, including wet dishcloths or towels - a violent steam explosion will result.
4. Use an extinguisher ONLY if:
 - A. You know you have a Class ABC extinguisher, and you already know how to operate it.
 - B. The fire is small and contained in the area where it started.
 - C. The fire department is being called.
 - D. You can fight the fire with your back to an exit.

^a Based on "Kitchen Firesafety Tips" published by NFPA.

CAUTION

1. For general ventilating use only. Do not use to exhaust hazardous or explosive materials and vapors.
2. To avoid motor bearing damage and noisy and/or unbalanced impellers, keep drywall spray, construction dust, etc. off power unit.
3. Clean filters and grease-laden surfaces frequently.
4. Do not repair or replace any part of this appliance unless specifically recommended in this manual. All other servicing should be done by a qualified technician.
5. Please read specification label on product for further information and requirements.

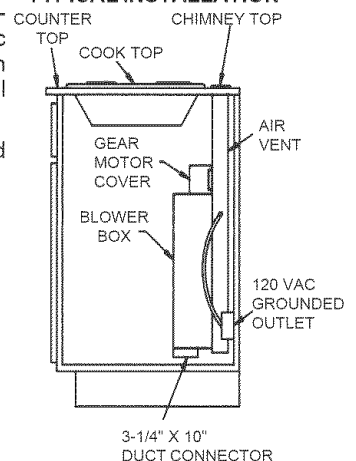
PLANNING

This downdraft blower system is designed to be used to exhaust airborne contaminants when cooking with a variety of gas or electric cooktops. It can be mounted in island, peninsula, or conventional wall locations.

This unit can be easily installed following these basic steps:

- Cut out the countertop opening.
- Mount the unit in the cabinet.
- Connect the ductwork and electrical.
- Install the cooktop.

TYPICAL INSTALLATION



**INSTALLER: Save this manual for Electrical Inspector and Homeowner to use.
HOMEOWNER: Use and Care Information on Page 4.**

PLANNING - (continued)

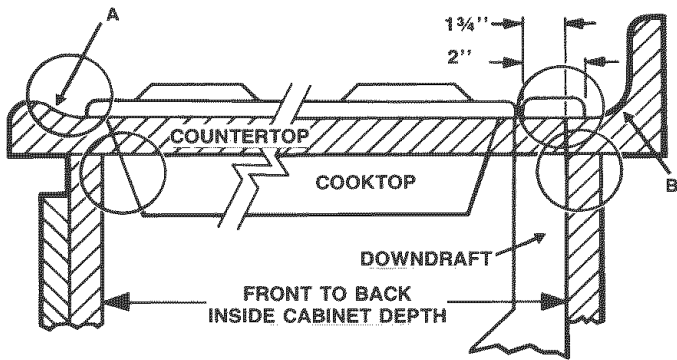
Note: the high level of air flow of this appliance may effect the gas flame on some types of gas cooktops. This is NORMAL and will cause no harm, but can be corrected by lowering the speed of the blower.

SPECIFICATIONS

VOLTS	AMPS	CFM	DUCT
120	4.0	Approx. 600	3-1/4 x 10

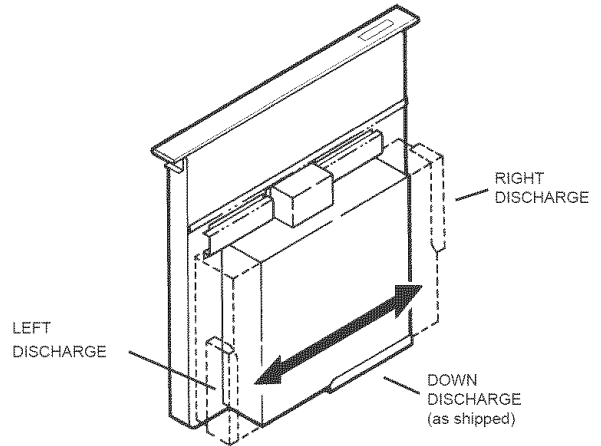
TAKE MEASUREMENTS

1. Refer to the cooktop installation instructions for dimensions of cooktop, countertop cut-out, and cabinet requirements. The Model DHD865AUC will fit in most 30" wide cabinets and the Model DHD965AUC will fit in most 36" wide cabinets. However, it is recommended that oversized cabinets be used for easier installation.
2. Cooktop depth can vary greatly from one to another. This may cause the fit of these two appliances to be rather tight.


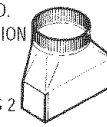
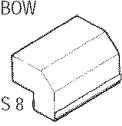


Pay special attention to the areas of potential interference highlighted above. A countertop with (A) a raised lip and/or (B) a backsplash may not allow enough flat countertop for a proper installation. Note that 2" of flat countertop is required behind cooktop and that 1-3/4" is necessary between the back edge of the cooktop and the inside of cabinet back.

PLAN THE DUCTWORK



1. This downdraft blower system is designed for use with 3-1/4" x 10" ductwork (can be transitioned to 6" round). Three different discharge directions are available with side-to-side adjustment for accurate alignment of ductwork.
2. For best performance: Choose the ducting option which allows the shortest length of ductwork and a minimum number of elbows and transitions. Check location of floor joists, wall studs, electrical wiring or plumbing for possible interference. **NOTE:** The unit is shipped with the 3-1/4" x 10" discharge facing DOWN. See "CHANGING BLOWER DIRECTION" on page 3, if necessary.

<p>6" ROUND ELBOW</p>  <p>EQUALS 6 FT. OF STRAIGHT DUCT</p>	<p>3-1/4" X 10" TO 6" RD. TRANSITION</p>  <p>EQUALS 2 FT. OF STRAIGHT DUCT</p>
<p>3-1/4" X 10" 90° ELBOW</p>  <p>EQUALS 8 FT. OF STRAIGHT DUCT</p>	

3. The system will operate most efficiently when the ductwork does not exceed 40 feet of equivalent duct. The chart, above, shows equivalent feet of elbows and transitions. The number of feet of straight duct plus the equivalent feet of transitions and/or elbows to be used should equal 40 feet or less.

NOTE: The equivalent feet of various roof and wall caps has been taken into consideration. Do not include them in this calculation.

PLAN THE WIRING

1. The downdraft blower system draws 4 AMPS and requires a 120 VAC, 60 Hz circuit.
2. The unit has a 2 ft. long power cord with a 3-pronged plug. Plan to provide a grounded outlet in a location which will allow the unit's power cord to reach. (Note: If the Model DHD865AUC is being installed in a 30" wide cabinet or the Model DHD965AUC is being installed in a 36" wide cabinet, the outlet cannot be located on the back wall of cabinet.) Outlet may also be wall-mounted, with access hole in cabinet.

PREPARATION

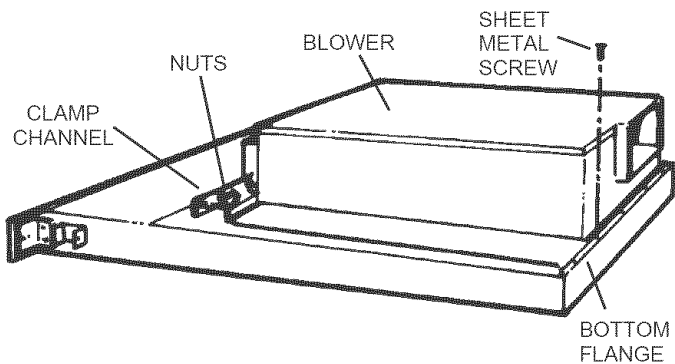
CHANGING BLOWER DISCHARGE (Optional)

The blower is shipped with its discharge facing DOWN. Follow these steps ONLY if:

- the position of the blower discharge needs to be moved so ductwork does not interfere with floor joists, plumbing or wiring below.
- it is necessary to rotate the blower discharge to the RIGHT or LEFT.

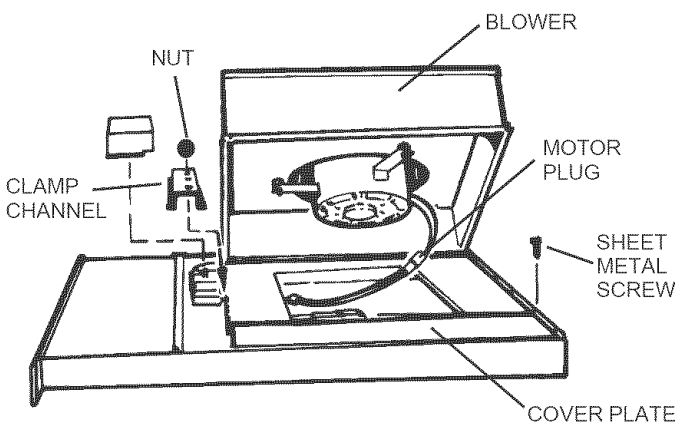
Place the unit on its back on a table or work surface.

DOWN DISCHARGE - MOVING BLOWER LEFT OR RIGHT



1. Loosen the 4 nuts and 2 clamp channels.
2. Slide blower to desired position.
3. Use supplied cover plate to close open space (if any).
4. Tighten wing nuts to secure top of blower and use sheet metal screws through bottom flange to secure bottom of blower.

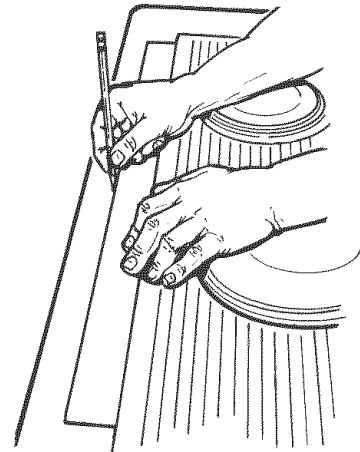
LEFT OR RIGHT DISCHARGE



1. Remove the 4 nuts and 2 clamp channels.
2. Carefully lift blower and disconnect motor plug if necessary. Reposition blower and RECONNECT MOTOR PLUG.
3. Use supplied cover plate to close open space (if any).
4. Replace clamp channels and use nuts to secure the blower in its new position.
5. Use sheet metal screws through bottom flange to secure bottom of blower.

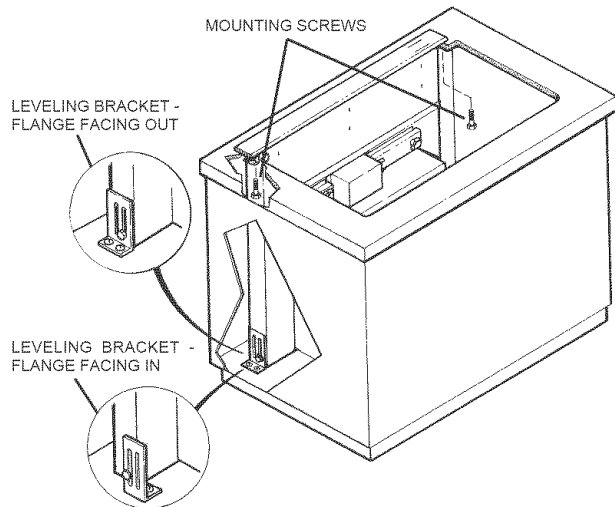
CUT COUNTERTOP OPENING

1. Lay out and cut the cooktop cut-out far enough FORWARD so downdraft will fit behind it.
2. Set cooktop in place and slide it as far forward as possible. Center and square it with edges of countertop.



3. Place the plastic template against the back flange of the cooktop and center it. Trace around template to mark the downdraft opening.
4. Remove cooktop from countertop.
5. Cut downdraft opening. Be careful not to chip edges of countertop.

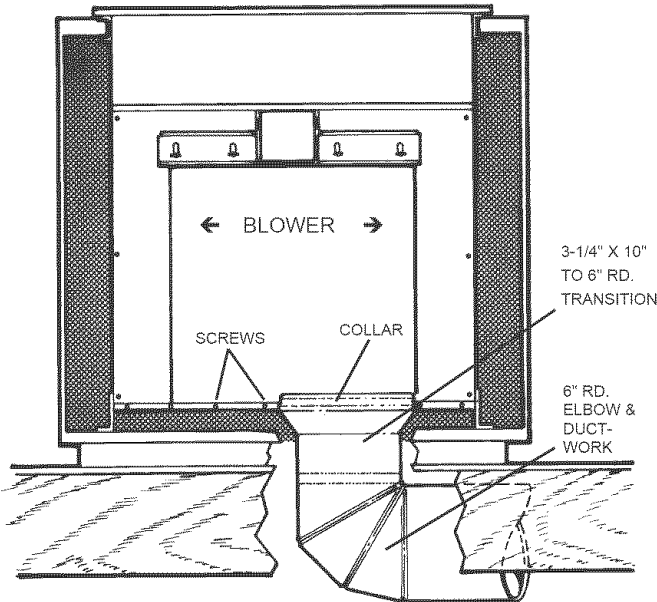
MOUNT THE UNIT



1. Set downdraft into opening. Extend leveling brackets to floor of cabinet so downdraft sits straight. (Note: Leveling brackets can be removed and re-attached in other positions. Bottom flange may have to face inward in tight cabinet installations.)
2. Secure the downdraft to the countertop as follows: Hold the downdraft against the back of countertop cut-out and tightening the 2 mounting screws (one on each end of unit) on underside of countertop. Use a wood shim between screw and underside of granite countertops.
3. Screw leveling brackets to bottom of cabinet. Tighten screws holding leveling bracket to unit on each side.

INSTALL DUCTWORK

CAUTION - BEFORE CUTTING HOLE IN CABINET FOR DUCTWORK: Check for interference with floor joists, wall studs, electrical wiring or plumbing.



1. Cut hole in cabinet as well as holes in wall or floor as necessary.
2. Mount the roof or wall cap and work back towards the cabinet, attaching all ductwork, elbows and transitions as previously planned. Tape all ductwork connections to make them secure and air tight.
3. Connect ductwork (and transition, if required) to downdraft. If necessary, LOOSEN nuts and screws that hold the blower in place, and slide blower left or right to meet ductwork. Retighten screws and nuts.

Note: A 3-1/4" x 10" collar is provided for installers who prefer to rivet the ductwork to the unit. This will allow blower to be removed and replaced easily in service situations without disturbing ductwork.

INSTALL ELECTRICAL WIRING

1. Mount a standard wiring box, with 3-pronged receptacle, inside the cabinet. Make sure the downdraft's power cord can easily reach it.
2. Run appropriate power cable into cabinet and connect it to receptacle.
3. Plug the downdraft's power cord into the outlet.

INSTALL COOKTOP

1. Align the cooktop with the downdraft and fasten cooktop in place.

Note: Accurate alignment of cooktop and downdraft is necessary to ensure that there is no interference when air vent is raised and lowered. There should be a gap of 1/32"-1/16" between the back of the cooktop and the front of the downdraft cover.

OPERATION

- UP / DOWN ---** Raises and lowers vent.
Turns blower ON when vent is UP and OFF when vent is DOWN.
- DELAY -----** Allows blower to run for 5 min. after button is pressed. Blower will run for 5 min. - then shut OFF. *VENT WILL NOT LOWER.* You must press UP / DOWN to lower vent.
- LOW / MED / HIGH -----** Operates blower at 3 different speed levels. Press button ONCE to turn blower ON to desired speed. Press button AGAIN to turn blower OFF.
- FILTER LIGHT -----** Comes ON after 30 hours of operation to remind you to clean filters. Press button to reset.

OPTIONAL DOOR KITS

MODEL NO.	DESCRIPTION
DHZ8020	30" White
DHZ8060	30" Black
DHZ9020	36" White
DHZ9060	36"Black

USE AND CARE

CLEANING

WARNING: Always disconnect electric power supply before cleaning unit.

Use a mild detergent suitable for painted surfaces. DO NOT USE ABRASIVE CLOTH, STEEL WOOL PADS, OR SCOURING POWDERS. Vacuum blower to clean. Do not immerse blower in water.

Wash the 2 aluminum/stainless steel grease filters in a mild detergent solution or a dishwasher. Remove them from the air vent by grasping the tab at the top of each filter.

SERVICING

WARNING: Always disconnect electric power supply before servicing unit.

It may be necessary to remove the downdraft blower system from the cabinet in order to service components such as the blower motor or air vent mechanism.

Disconnect power to the cooktop and remove it first. Reverse the steps under "MOUNT THE UNIT" to remove the downdraft from the cabinet.

**STATEMENT OF WARRANTIES
BOSCH DOWNDRAFT VENTILATION UNITS**

The warranties provided by the BSH Home Appliances ("Bosch") in this Statement of Warranties apply only to Bosch Downdrafts sold to the first using purchaser by Bosch or its authorized dealers, retailers or service centers in the United States or Canada. The Warranties provided herein are not transferable.

LENGTH OF WARRANTY	SCOPE OF WARRANTY
1 Year Full Limited Warranty From Date of Installation*	Bosch will repair or replace any component part that proves defective under conditions of normal home use free of charge, labor and shipping costs included. Repair service must be performed by an Authorized Bosch Service Center.
2 Year Limited Warranty From Date of Installation*	Bosch will provide replacement parts free of charge for any component part that proves defective under conditions of normal home use, labor charges excluded.

* Date of installation shall refer to the earlier of the date the downdraft is installed or ten business days after the delivery date.

Exclusions.

This warranty does not cover service calls or repairs to correct the installation of the downdraft, to provide instruction on the use of your downdraft, to replace house fuses or the electric wiring in you home or to repair any downdraft that's use was in a maner other than what is normal and customary for home use. In addition, the warranties provided in this Statement exclude any defects or damage arising from accident, alteration, misuse, abuse, improper installation, unauthorized service work, external forces beyond Bosch's control, such as fire, flood, and other acts of God, or installation not in accordance with local electrical codes. Labor charges incurred in the repair or replacement of any downdraft after the one year from date of installation shall not be covered by this warranty. Any and all replaced and/or repaired parts shall assume the identity of the original for purposes of the applicable warranty period.

TO THE EXTENT PERMITTED BY LAW, THIS WARRANTY IS IN LIEU OF ALL OTHER EXPRESS AND IMPLIED WARRANTIES, INCLUDING THE IMPLIED WARRANTIES OF MERCHANTABILITY AND FITNESS FOR A PARTICULAR PURPOSE. BOSCH DOES NOT ASSUME ANY RESPONSIBILITY FOR INCIDENTAL OR CONSEQUENTIAL DAMAGES.

TO OBTAIN WARRANTY SERVICE, CONTACT THE NEAREST BOSCH AUTHORIZED SERVICE CENTER OR CALL 1-800-944-2904, OR WRITE BSH HOME APPLIANCES LP DIRECTLY AT: UA/HPS, 2800 SOUTH 25TH AVENUE, BROADVIEW, ILLINOIS 60153. BE SURE TO PROVIDE YOUR DOWNDRAFT MODEL, SERIAL NUMBER, PURCHASE DATE AND THE SELLER'S NAME AND ADDRESS.

BSH Home Appliances LP • Dept. HPS • 2800 South 25th Ave. • Broadview, IL 60153 • 1-800-944-2904

BOSCH

MODÈLES DHD865AUC et DHD965AUC SYSTÈME DE VENTILATION DESCENDANTE 30 po (76 cm) et 36 po (91,5 cm)

LIRE ET CONSERVER CES INSTRUCTIONS

AVERTISSEMENT

AFIN DE DIMINUER LES RISQUES D'INCENDIE, D'ÉLECTROCUTION OU DE BLESSURES, SUIVEZ CES DIRECTIVES:

1. Utilisez ce produit en suivant les recommandations du fabricant. Pour toute question, contactez le fabricant à l'adresse ou au numéro de téléphone indiqués dans la garantie.
2. Avant de réparer ou de nettoyer cette hotte, coupez le courant au panneau d'alimentation et verrouillez-en l'accès afin d'éviter que le courant ne soit accidentellement remis en fonction. S'il vous est impossible de le verrouiller, apposez un indicateur voyant sur le panneau comme, par exemple, une étiquette de couleur vive.
3. L'installation de la hotte ainsi que le câblage électrique doivent être effectués par une ou des personnes compétentes selon les normes et les règles en vigueur, incluant celles qui régissent la prévention des incendies.
4. Une circulation d'air efficace est requise afin d'assurer la combustion et l'évacuation complète des gaz par le tuyau d'évacuation (cheminée) des équipements à combustion et pour prévenir les retours d'air. Conformez-vous aux normes et mesures de sécurité pour les fabricants d'appareils de chauffage publiées par la "National Fire Protection Association (NFPA)" et par la "American Society for Heating, Refrigeration and Air Conditioning Engineers (ASHRAE)", ainsi qu'aux normes en vigueur dans votre région.
5. Lorsque vous coupez ou percez un mur ou un plafond, prenez garde d'endommager les fils électriques ou autres installations qui pourraient y être dissimulés.
6. Les installations ventilées doivent toujours être reliées à des conduits rejetant l'air à l'extérieur.
7. Afin de diminuer les risques d'incendie, n'utilisez que des conduits de ventilation en métal.
8. Ne pas installer ce produit en plaçant le commutateur directement derrière un brûleur ou un élément. Laisser une distance minimum de 4 po (10,16 cm) entre le commutateur et le brûleur.
9. Ne jamais porter de vêtements amples lors de l'utilisation de cet appareil. Les brûleurs ou les éléments de la cuisinière peuvent enflammer les vêtements.
10. Ne pas laisser un enfant seul ou sans surveillance à proximité de cet appareil pendant son fonctionnement.
11. Arrêter le ventilateur avant de flamber des aliments. Un ventilateur en marche risque de propager les flammes.
12. Cet appareil doit être relié à un fil de terre.

AFIN DE DIMINUER LES RISQUES D'INCENDIE POUVANT SE DÉCLANCHER SUR LA SURFACE DE CUISSON:

1. Ne jamais laisser sans surveillance des unités de surface réglées à feu vif. En plus de générer de la fumée, les débordements de graisse peuvent prendre feu. Chauffer les huiles lentement à feu doux ou moyen.
2. Toujours mettre en marche la hotte durant la cuisson à feu vif ou la cuisson d'aliments à flamber.
3. Nettoyer régulièrement les ventilateurs d'aération. On ne doit tolérer aucune accumulation de graisse sur le ventilateur ou sur le filtre.
4. Utiliser une casserole de grosseur appropriée. Toujours utiliser une batterie de cuisine proportionnelle à l'élément de surface.

INSTALLATEUR : Conserver ce manuel pour l'inspecteur électrique et le propriétaire.
PROPRIÉTAIRE : Voir les informations sur l'utilisation et l'entretien à la page 9.

AVERTISSEMENT

AFIN DE DIMINUER LES RISQUES DE BLESSURES POUVANT SURVENIR LORSQU'UN FEU SE DÉCLENCHE SUR LA SURFACE DE CUISSON, SUIVEZ CES DIRECTIVES:

1. ÉTOUFFEZ LES FLAMMES avec un couvercle hermétique, une tôle à biscuits ou un plateau en métal puis éteignez la cuisinière. PRENEZ GARDE AUX BRÛLURES. Si vous ne parvenez pas à éteindre immédiatement les flammes, ÉVACUEZ LES LIEUX ET CONTACTEZ VOTRE POSTE LOCAL DE LUTTE CONTRE LES INCENDIES.
2. NE VOUS EMPAREZ JAMAIS D'UN PLAT QUI S'EST ENFLAMMÉ – Vous risqueriez de vous brûler.
3. N'UTILISEZ JAMAIS D'EAU, incluant les linges à vaisselles ou serviettes mouillés car cela peut provoquer une violente explosion de vapeur.
4. Utilisez un extincteur SEULEMENT si:
 - A. Il s'agit d'un extincteur de classe ABC et que vous savez comment vous en servir.
 - B. Il s'agit d'un petit feu qui ne se propage pas ailleurs que sur la cuisinière.
 - C. Vous avez appelé votre poste local de lutte contre les incendies.
 - D. Vous pouvez combattre le feu tout en ayant accès à une sortie.

* Basé sur "Kitchen Fire Safety Tips" édité par NFPA.

ATTENTION

1. N'utilisez cet appareil que pour la ventilation des surfaces de cuisson. Ne l'utilisez pas pour ventiler des matières ou des vapeurs de nature dangereuse ou explosive.
2. Afin d'éviter d'endommager le mécanisme du moteur et de déséquilibrer et/ou de rendre bruyant le fonctionnement des hélices, protégez l'appareil des poussières de placo-plâtre et de construction.
3. Nettoyer fréquemment les filtres et les surfaces graisseuses.
4. Ne pas réparer ou remplacer les pièces de cet appareil à moins que cela soit expressément recommandé dans ce manuel. Toute autre procédure d'entretien ou de réparation doit être confiée à un technicien compétent.
5. Lire l'étiquette de spécifications apposée sur le produit pour plus d'information.

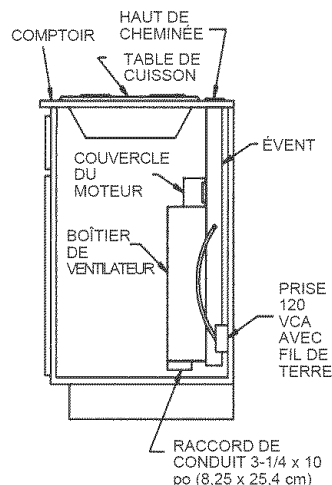
PLANIFICATION

Ce système de ventilation descendante est conçu afin d'évacuer les vapeurs de cuisson sur différentes tables de cuisson électriques ou au gaz. Il peut être installé dans un îlot, un comptoir en presque île ou contre un mur.

Suivre les étapes ci-dessous afin d'installer facilement l'appareil :

1. Découper l'ouverture dans le comptoir.
2. Monter l'appareil dans l'armoire.
3. Connecter le conduit et faire les branchements électriques.
4. Installer la table de cuisson.

INSTALLATION NORME



PLANIFICATION - (suite)

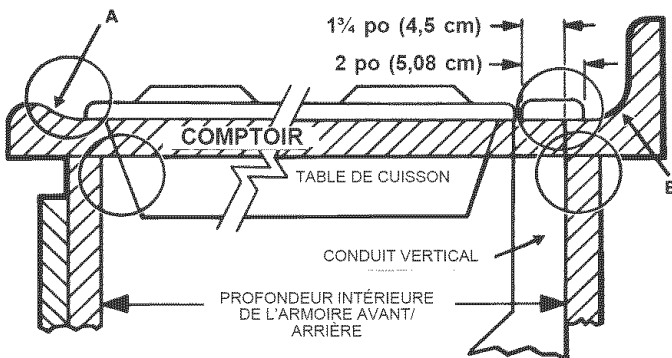
Remarque : Le débit d'air élevé de cet appareil peut affecter la flamme de certaines cuisinières au gaz. Cet effet est NORMAL et ne présente aucun danger. Il peut être corrigé en réduisant la vitesse du ventilateur.

CARACTÉRISTIQUES TECHNIQUES

VOLTS	AMP.	PCM	CONDUIT
120	4,0	Approx. 600	3-1/4 x 10 (8,25 x 25,4 cm)

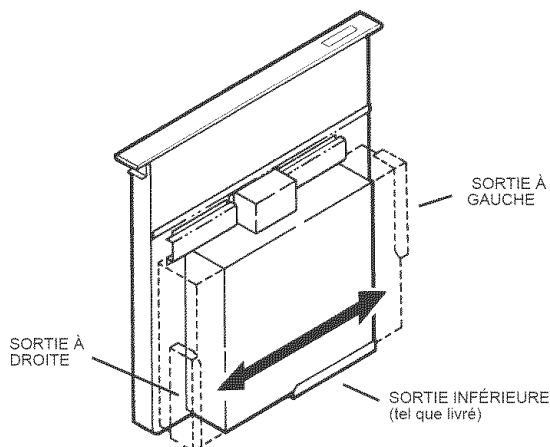
PRISE DES MESURES

1. Consulter la notice d'installation de la table de cuisson pour connaître ses dimensions, celles de la découpe du comptoir et les exigences relatives à l'armoire. Le modèle 865 s'insère dans la plupart des armoires de 30 po (76,2 cm) de largeur et le modèle 965 dans celles de 36 po (91,4 cm) de largeur. Il est recommandé d'utiliser une armoire un peu plus large pour faciliter l'installation.
2. La profondeur des tables de cuisson varie grandement d'une marque à l'autre. Par conséquent, l'insertion des deux appareils peut s'avérer particulièrement serrée.

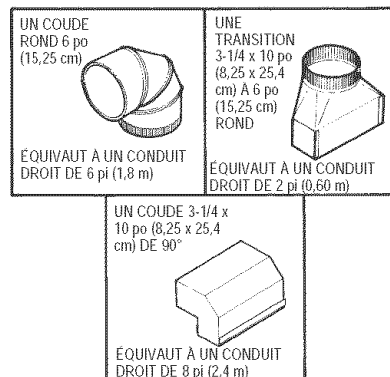


Faire attention aux zones d'obstruction possibles indiquées ci-dessus. Un comptoir muni (A) d'un rebord soulevé ou (B) d'un dossier risque de ne pas offrir une surface plane suffisamment grande pour une installation adéquate. Veuillez noter que le comptoir doit être plat sur 2 po (5,08 cm) derrière la table de cuisson et qu'il doit y avoir un jeu d'au moins 1-3/4 po (4,5 cm) entre le bord arrière de la table de cuisson et le fond de l'armoire, à l'intérieur.

PLANIFICATION DES CONDUITS



1. Cette soufflerie descendante est conçue pour les conduits de 3-1/4 x 10 po (8,25 cm x 25,4 cm) ou transformés en conduits ronds de 6 po (15,25 cm) de diamètre. La sortie peut être orientée dans trois directions et l'appareil ajusté de gauche à droite pour aligner correctement le conduit.
2. Pour obtenir les meilleurs résultats : Choisir le tracé le plus court possible et comportant le minimum de coudes et de transitions pour les conduits. Vérifier l'emplacement des solives du plancher, des montants du mur, des câbles électriques et des tuyaux de plomberie afin d'éviter toute obstruction. **REMARQUE :** L'appareil est offert avec une sortie de 3-1/4 x 10 po (8,25 cm x 25,4 cm) po orientée vers le BAS. Au besoin, voir « MODIFICATION DE LA SORTIE DE LA SOUFFLERIE » à la page 3.



3. Le système est plus efficace lorsque les conduits ne dépassent pas l'équivalent de 40 pi (12,19 m) de conduit. L'illustration ci-dessus indique l'équivalent en pieds des coudes et des transitions. Le nombre de pieds des conduits droits plus l'équivalent en pieds des coudes et des transitions utilisés doit être de 40 pi (12,19 m) ou moins.

REMARQUE : L'équivalent en pieds des chapeaux de toit ou de mur a été pris en considération. Ne pas les inclure dans le calcul.

PLANIFICATION DU CÂBLAGE

1. La soufflerie descendante consomme 4 ampères et nécessite un circuit de 120 VCA, 60 Hz.
2. L'appareil comporte un cordon électrique de 2 pi (0,60 m) muni d'une fiche à trois bornes. Prévoir l'installation d'une prise de courant mise à la terre à une distance permettant de brancher le cordon. (Remarque : Lors de l'installation du modèle 865 dans une armoire de 30 po (76 cm) de largeur ou du modèle 965 dans une armoire de 36 po (91,5 cm) de largeur, la prise ne peut être posée sur la paroi du fond.) La prise peut être également installée dans le mur lui-même en prévoyant un trou dans l'armoire pour y accéder.

PRÉPARATION

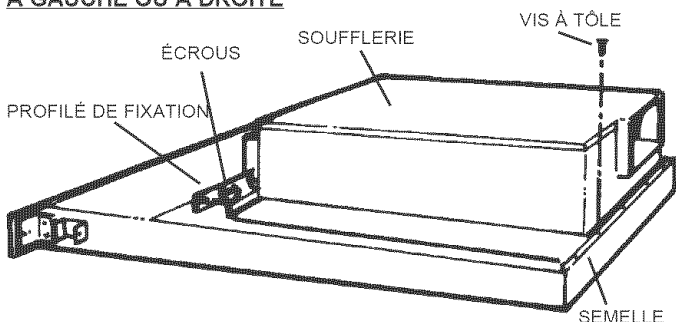
MODIFICATION DE LA SORTIE DE LA SOUFFLERIE (facultatif)

La soufflerie est livrée avec sa sortie dirigée vers le BAS. Suivre les étapes ci-dessous SEULEMENT si :

- la position de la sortie de la soufflerie doit être modifiée afin d'éviter que le passage des conduits soit obstrué par une solive du plancher, la plomberie ou le câblage électrique situés en dessous ;
- il est nécessaire d'orienter la sortie vers la GAUCHE ou vers la DROITE.

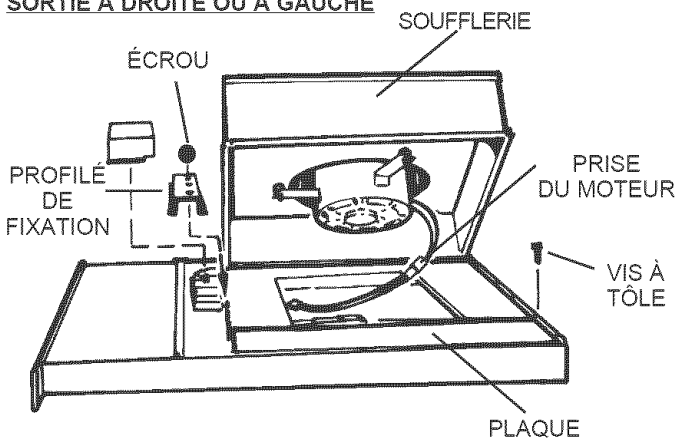
Placer l'appareil sur le dos, sur une table ou un plan de travail.

SORTIE VERS LE BAS – DÉPLACEMENT DE LA SOUFFLERIE À GAUCHE OU À DROITE



1. Desserrer les 4 écrous et les 2 profilés de fixation.
2. Glisser la soufflerie à la position désirée.
3. Fermer l'ouverture libre (le cas échéant) avec la plaque incluse.
4. Resserrer les écrous à ailettes afin de fixer le haut de la soufflerie et enfoncer les vis à tôle dans la semelle pour fixer le bas de la soufflerie.

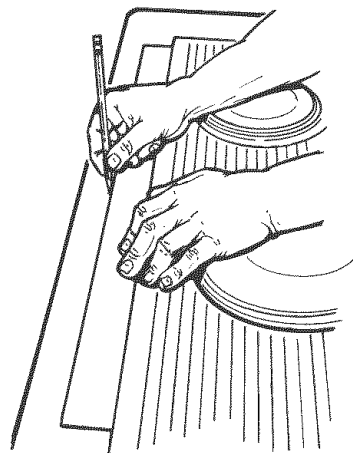
SORTIE À DROITE OU À GAUCHE



1. Enlever les 4 écrous et les 2 profilés de fixation.
2. Soulever délicatement la soufflerie et déconnecter, au besoin, la prise du moteur. Replacer la soufflerie et RECONNECTER LA PRISE DU MOTEUR.
3. Fermer l'ouverture libre (le cas échéant) avec la plaque incluse.
4. Replacer les profilés et fixer la soufflerie avec les écrous.
5. Enfoncer les vis à tôle dans la semelle pour fixer le bas de la soufflerie. CUT COUNTERTOP OPENING

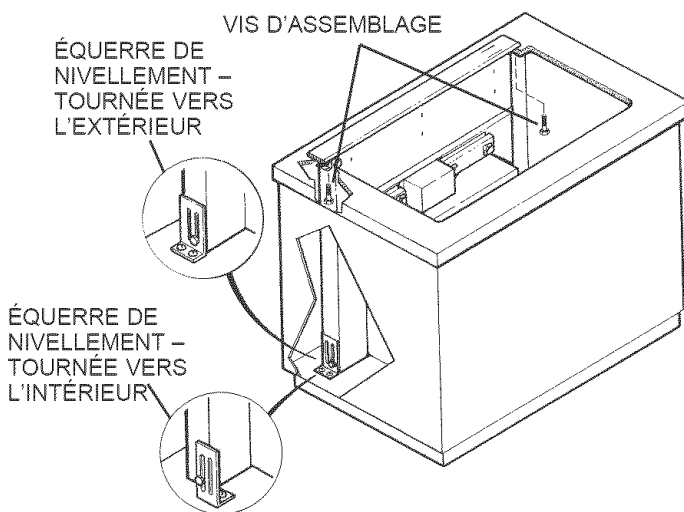
DÉCOUPAGE DU COMPTOIR

1. Tracer et découper la forme de la table de cuisson dans le comptoir, suffisamment vers l'AVANT afin de pouvoir insérer le conduit vertical derrière elle.
2. Insérer la table de cuisson et la glisser vers l'avant aussi loin que possible. Centrer l'appareil et le placer d'équerre avec le bord du comptoir.



3. Placer le gabarit de plastique contre le rebord arrière de la table de cuisson tout en le centrant correctement. Tracer le contour du gabarit afin de marquer l'ouverture du conduit vertical.
4. Retirer la table de cuisson du comptoir.
5. Découper l'ouverture du conduit vertical en prenant garde de ne pas ébrécher le rebord du comptoir.

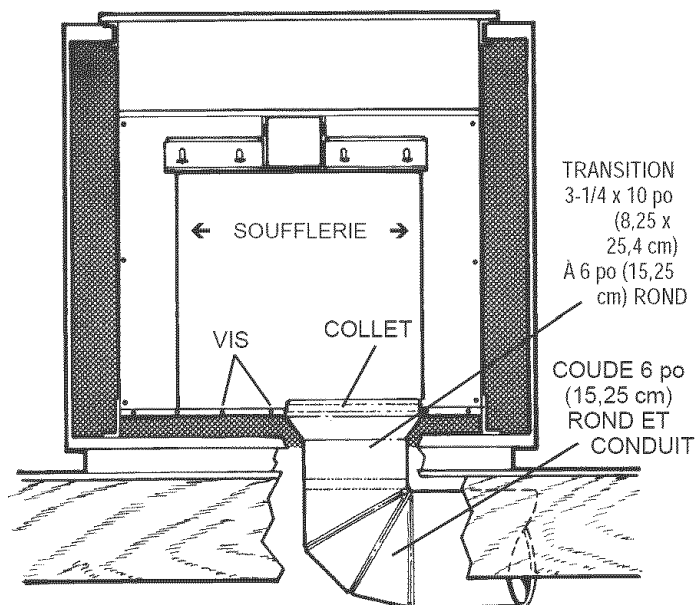
MONTAGE DE L'APPAREIL



1. Installer le conduit vertical dans l'ouverture. Allonger les équerres de nivellement de sorte que le conduit soit bien droit. (Remarque : Les équerres peuvent être enlevées pour les replacer autrement. La semelle du conduit peut également être retournée vers l'intérieur de l'armoire si les dimensions sont très serrées.)
2. Fixer le conduit vertical sous le comptoir comme suit : soulever le conduit contre l'arrière de l'ouverture et serrer les deux vis d'assemblage (de chaque côté du conduit) dans le dessous du comptoir. Pour les comptoirs de granite, utiliser une cale de bois placée sous le comptoir.
3. Visser les équerres de nivellement dans la paroi inférieure de l'armoire. Serrer les vis des équerres de chaque côté du conduit vertical.

INSTALLATION DES CONDUITS

ATTENTION – AVANT DE DÉCOUPER L'OUVERTURE DU CONDUIT DANS L'ARMOIRE : s'assurer qu'aucune solive, montant, tuyau ou fil électrique ne fait obstruction.



1. Découper l'ouverture dans l'armoire ainsi que dans le mur ou le plancher, selon le cas.
2. Installer le chapeau de toit ou mural et progresser vers l'armoire en installant tous les conduits, coudes et transitions, tel que prévu. Appliquer du ruban adhésif sur chaque joint pour les consolider et assurer leur étanchéité.
3. Relier les conduits et les transitions, si besoin est, au conduit vertical. **DESSERRER** au besoin les vis et les écrous qui maintiennent la soufflerie et glisser celle-ci vers la gauche ou la droite afin de l'aligner avec le conduit. Resserrer vis et écrous.

Remarque : L'ensemble comprend un collet de 3-1/4 x 10 po (8,25 x 25,4 cm) pour les installateurs qui préfèrent riveter le conduit à l'appareil. La soufflerie pourra ainsi être retirée et remplacée facilement sans déranger les conduits.

INSTALLATION DU CÂBLAGE ÉLECTRIQUE

1. Installer dans l'armoire une boîte électrique standard avec une prise de courant à trois bornes. S'assurer que le cordon de la soufflerie peut s'y brancher facilement.
2. Acheminer un câble électrique dans l'armoire et connecter celui-ci à la prise.
3. Brancher le cordon électrique de la soufflerie dans la prise de courant.

INSTALLATION DE LA TABLE DE CUISSON

1. Aligner la table de cuisson avec le conduit vertical et fixer celle-ci.

Remarque : Il est nécessaire d'aligner correctement la table de cuisson et le conduit vertical afin que rien ne gêne le mouvement de l'évent lorsqu'on l'élève ou l'abaisse. Laisser un jeu de 1/32 à 1/16 po (0,8 à 1,6 mm) entre l'arrière de la table de cuisson et l'avant du couvercle du conduit vertical.cover.

FONCTIONNEMENT

UP / DOWN

(HAUT/BAS) Éleve ou abaisse l'évent.
Met l'appareil en **MARCHE** si l'évent est en HAUT et **ARRÊTE** l'appareil si l'évent est en BAS.

DELAY

(DÉLAI) Actionne la soufflerie durant 5 min. après avoir appuyé sur le bouton. La soufflerie fonctionne puis s'**ARRÊTE**. **L'ÉVENT NE S'APAS**. Appuyer sur le bouton HAUT/BAS pour abaisser l'évent.

LOW / MED / HIGH

(DOUX/MOYEN/FORT) ... Actionne la soufflerie selon trois intensités. Appuyer sur le bouton **UNE FOIS** pour mettre la soufflerie en **MARCHE** à la vitesse voulue. Appuyer **ENCORE** sur le bouton pour **ARRÊTER** la soufflerie.

FILTER LIGHT

(LUMIÈRE FILTRE) Elle s'**ALLUME** après 30 heures d'utilisation pour rappeler qu'il faut nettoyer les filtres. Appuyer sur le bouton pour remettre à zéro.

CLAPETS OFFERTS EN OPTION

MODÈLE	DESCRIPTION
DHZ802030	po (76 cm) blanc
DHZ806030	po (76 cm) noir
DHZ902036	po (91,5 cm) blanc
DHZ906036	po (91,5 cm) noir

UTILISATION ET ENTRETIEN

NETTOYAGE

AVERTISSEMENT : Débrancher toujours l'alimentation électrique avant le nettoyage.

Utiliser un détergent doux convenant aux surfaces peintes. **NE PAS UTILISER DE CHIFFON ABRASIF, DE LAINE D'ACIER OU DE POUDRE À RÉCUSER.** Nettoyer la soufflerie à l'aspirateur. Ne pas plonger la soufflerie dans l'eau.

Laver les deux filtres à graisse en aluminium/acier inoxydable dans une solution de détergent doux ou au lave-vaisselle. Tirer sur la languette située en haut de chaque filtre pour les sortir de l'évent.

RÉPARATION

AVERTISSEMENT : Débrancher toujours l'alimentation électrique avant toute réparation.

Il peut être nécessaire de retirer le système de soufflerie verticale de l'armoire pour réparer certaines de ses pièces, telles que le moteur ou le mécanisme de l'évent.

Débrancher l'alimentation de la table de cuisson et démonter d'abord celle-ci. Inverser la marche à suivre du « MONTAGE DE L'APPAREIL » pour retirer le conduit vertical de l'armoire.

ÉNONCÉ DES GARANTIES POUR LES LAVE-VAISSELLE BOSCH

Les garanties fournies par BSH Home Appliances ("Bosch") dans cet énoncé des garanties s'appliquent seulement aux lave-vaisselle Bosch vendus au premier acheteur-utilisateur par Bosch ou ses marchands, détaillants ou centres de service autorisés aux États-Unis ou au Canada. Les garanties énoncées dans le présente ne sont pas transférables.

DURÉE LA GARANTIE	COUVERTURE DE LA GARANTIE
Garantie limitée complète d'un (1) an À partir de la date d'installation*	Bosch réparera ou remplacera toute composante présentant un défaut dans des conditions d'usage domestique normal sans frais, frais de main-d'œuvre et d'expédition compris. Les réparations doivent être effectuées par un centre de service autorisé Bosch.
Garantie limitée de deux (2) ans À partir de la date d'installation*	Bosch fournira les pièces de rechange sans frais pour toute composante présentant un défaut, dans des conditions d'usage domestique normal, excluant les frais de main-d'œuvre.

* La date d'installation réfère à la première date d'installation du lave-vaisselle ou à un délai de dix jours ouvrables suivants la date de livraison.

Exclusions

Cette garantie ne couvre pas les appels de service ou les réparations pour corriger l'installation du lave-vaisselle, pour fournir les instructions concernant l'utilisation du lave-vaisselle, pour remplacer les fusibles ou corriger la plomberie ou le filage électrique de la maison ou pour réparer tout lave-vaisselle utilisé d'une façon autre que l'usage domestique normal et habituel. De plus, les garanties décrites dans cet énoncé excluent tout défaut ou dommage survenant à la suite d'accident, de modification, de mauvais usage, d'abus, d'installation inadéquate, d'un service non autorisé, de circonstances externes hors du contrôle de Bosch tels incendies, inondations et autres catastrophes naturelles, ou comme une installation non conforme aux codes locaux d'électricité et de plomberie. Les frais de main-d'œuvre encourus pour la réparation ou le remplacement de tout lave-vaisselle un an après la date d'installation ne sont pas couverts par cette garantie. Toute pièce remplacée et/ou doit être identique à la pièce originale pour les besoins de la période de garantie applicable. TEL QU'IL EST PERMIS PAR LA LOI, CETTE GARANTIE EST AU LIEU DE TOUTES AUTRES GARANTIES FORMELLES ET IMPLICITES, QU'ELLES SOIENT COMMERCIALES OU DESTINÉES À UN BUT PARTICULIER QUALTRES. BOSCH NE SERA PAS TENU RESPONSABLE DES DOMMAGES-INTÉRÊTS INDIRECTS OU ACCESSOIRES.

POUR OBTENIR UN SERVICE SOUS GARANTIE, COMMUNIQUER AVEC LE CENTRE DE SERVICE AUTORISÉ BOSCH OU TÉLÉPHONER AU 1-800-944-2904 OU ÉCRIRE DIRECTEMENT À BSH HOME APPLIANCES LP/PA: UA/HPS, 2800 SOUTH 25TH AVENUE, BROADVIEW, ILLINOIS U.S.A. 60153 S'ASSURER DE FOURNIR LE NUMÉRO DE MODÈLE DU LAVE-VAISSELLE, LE NUMÉRO DE SÉRIE, LA DATE D'ACHAT AINSI QUE LE NOM ET L'ADRESSE DU MARCHAND.

BSH Home Appliances LP • Dept. HPS • 2800 South 25th Ave. • Broadview, IL 60153 • 1-800-944-2904

LEA Y CONSERVE ESTAS INSTRUCCIONES

ADVERTENCIA

PARA REDUCIR EL RIESGO DE INCENDIO, GOLPE ELÉCTRICO, O LESIÓN A PERSONAS, OBSERVE LO SIGUIENTE:

1. Use esta unidad solamente de la manera indicada por el fabricante. Si tiene preguntas, póngase en contacto con el fabricante a la dirección o teléfono que aparecen en la garantía.
2. Antes de limpiar o de poner en servicio la unidad, apague el interruptor en el panel de servicio, y asegure el panel de servicio para evitar que se encienda accidentalmente. Cuando el dispositivo para desconectar el servicio eléctrico no puede ser cerrado con algún tipo de traba, sujete fuertemente al panel de servicio, una etiqueta de advertencia prominente.
3. El trabajo de instalación y cableado eléctrico deben estar hechos por personal capacitado de acuerdo con todos los códigos y estándares aplicables, incluyendo códigos y estándares de construcción a prueba de incendios.
4. Se necesita suficiente aire para la combustión y extracción de gases por la chimenea del equipo que quema combustible para evitar la retrogresión de las llamas. Siga las directrices del fabricante y estándares de seguridad como los publicados por la Asociación Nacional de Protección Contra Incendios (o por sus siglas en inglés NFPA), y la Sociedad Americana de Ingenieros de Calefacción, Refrigeración, y Aire Acondicionado (o por sus siglas en inglés ASHRAE), y los códigos de las autoridades locales.
5. Cuando corte o taladre en una pared o cielo raso, no dañe cableado eléctrico o instalaciones no visibles.
6. Ventiladores con conductos siempre deben extraer hacia el exterior.
7. Para reducir el riesgo de incendio, use sólo ductos de metal.
8. Si esta unidad va a instalarse sobre una bañera o ducha, debe marcársela como correcta para dicha aplicación y debe conectarse a un protegido GFCI (Cortacircuito Accidental a Tierra).
9. Nunca instale un interruptor donde se pueda alcanzar desde una bañera o ducha.
10. Esta unidad se debe conectar a tierra.

PARA REDUCIR EL RIESGO DE INCENDIO DEBIDO A GRASA ACUMULADA EN LAS HORNILLAS:

1. Mantenga limpios el abanico, los filtros y las superficies donde se acumula la grasa.
2. ENCIENDA siempre el extractor cuando esté cocinando a fuego alto.
3. Utilice los niveles de fuego alto solamente cuando sea necesario. Caliente el aceite a niveles de fuego bajo o medio.
4. No deje la estufa sin atención cuando esté cocinando.
5. Siempre utilice los utensilios de cocina apropiados para el tipo y cantidad de comida siendo preparada.

INSTALADOR: Guarde este manual para que el inspector del sistema eléctrico y el propietario de la casa lo usen.

DUEÑO DE CASA: Información del uso y mantenimiento en la página 14.

ADVERTENCIA

PARA REDUCIR EL RIESGO DE LESION A PERSONAS RESULTADO DE UN INCENDIO DEBIDO A GRASA ACUMULADA EN LAS HORNILLAS, PROCURE LO SIGUIENTE:*

1. AHOQUE LAS LLAMAS con una tapa ajustada o charola de metal, después apague la hornilla. TENGA CUIDADO A FIN DE EVITAR QUEMADURAS. Si las llamas no se apagan de inmediato, EVACUE Y AVISE A LOS BOMBEROS.
 2. NO LEVANTE NUNCA UNA SARTEN QUE ESTE EN LLAMAS - Usted se podrá quemar.
 3. NO UTILICE AGUA, incluyendo toallas de cocina mojadas - puede resultar una explosión de vapor violenta.
 4. Utilice un extinguidor SOLAMENTE si:
 - A. Usted sabe que tiene un extinguidor de clas ABC y lo sabe utilizar.
 - B. El incendio es pequeño y contenido dentro del área donde se inició.
 - C. Los bomberos han sido avisados.
 - D. Usted puede combatir el incendio con una salida a su espalda.
- * Basado en las recomendaciones para "Seguridad en la Cocina" publicadas por la NFPA de los EEUU.

PRECAUCION

1. Para uso de ventilación general solamente. No lo use para extraer materiales o vapores peligrosos o explosivos.
2. Para evitar daño a los cojinetes del motor y hélices ruidosas y/o desequilibradas, mantenga la unidad de potencia lejos de rocíos de yeso, polvo de construcción, etc.
3. Limpie frecuentemente los filtros y las superficies llenas de grasa.
4. No repare ni reemplace ninguna parte de este electrodoméstico a menos que así se recomiende específicamente en este manual. Un técnico calificado debe realizar las demás operaciones de servicio.
5. Por favor lea la etiqueta de especificaciones que se encuentra en el producto para ver información y requisitos adicionales.

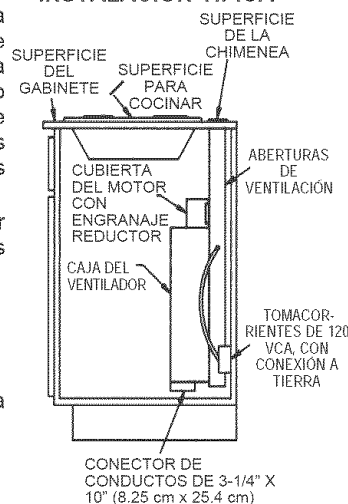
PLANIFICACIÓN

Este sistema de ventilación de tiro invertido está diseñado para descargar contaminantes del aire cuando se está cocinando en una variedad de estufas eléctricas o alimentadas con gas. El sistema se puede montar en gabinetes tipos isla y península o en ubicaciones convencionales en la pared.

Esta unidad se puede instalar fácilmente realizando los siguientes pasos básicos:

- Haga la abertura en la superficie del gabinete.
- Monte la unidad en el gabinete.
- Conecte los conductos y el sistema eléctrico.
- Instale la estufa.

INSTALACIÓN TÍPICA



PLANIFICACIÓN (continuación)

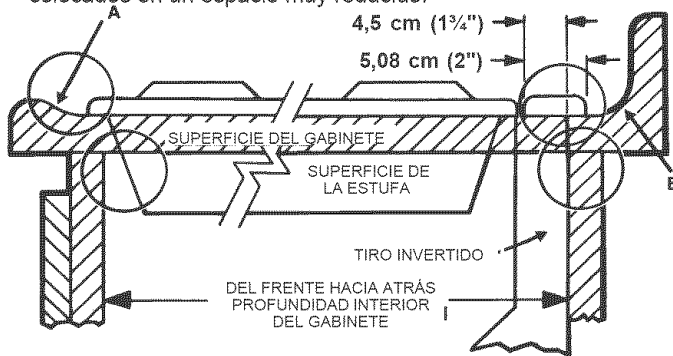
Nota: El alto nivel de flujo de aire de este electrodoméstico puede afectar la flama en algunos tipos de estufas alimentadas con gas. Esto es NORMAL y no causará daño alguno, pero se puede corregir disminuyendo la velocidad del ventilador.

ESPECIFICACIONES

VOLTIOS	AMPERIOS	CFM	CONDUCTO
120	4.0	Approx. 600	3-1/4 X 10 (8.25 cm x 25.4 cm)

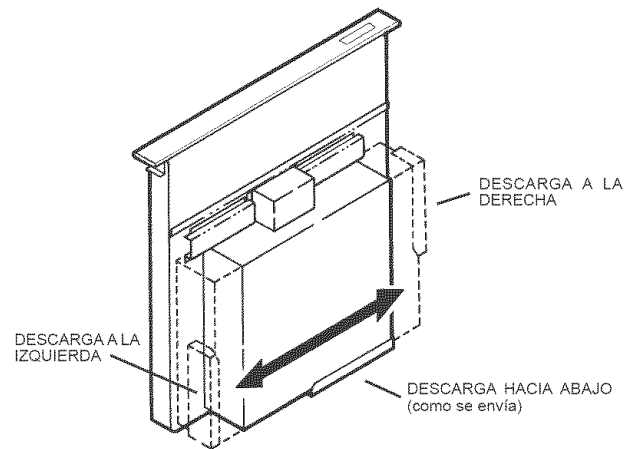
TOMA DE MEDIDAS

- Consulte las instrucciones de instalación de la estufa para ver las dimensiones requeridas de la estufa, de la abertura en la superficie del gabinete y los requerimientos respecto al gabinete. El modelo 865 se ajustará en la mayoría de los gabinetes de 76.2 cm (30") de ancho, y el modelo 965 se ajustará en la mayoría de los gabinetes de 91.4 cm (36") de ancho. Sin embargo, se recomienda que se usen gabinetes de tamaño extragrande para que se facilite la instalación.
- La profundidad de la estufa varía grandemente entre modelos. Esto puede causar que ambos electrodomésticos queden colocados en un espacio muy reducido.

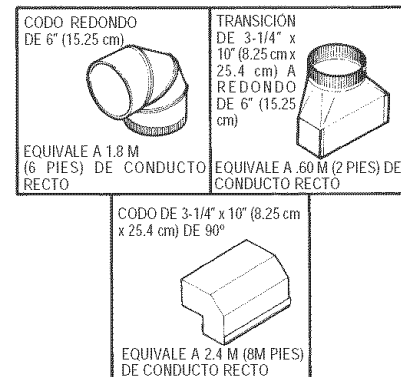


Preste especial atención a aquellas áreas de posible interferencia que se resaltan en la ilustración de arriba. Es posible que la superficie de un gabinete que tenga (A) un reborde elevado y/o (B) un protector contra salpicaduras no tenga suficiente área plana para hacer una instalación adecuada. Note que se requieren 5.08 cm (2") de área plana en la parte posterior de la estufa y que se necesita un área de 4.5 cm (1-3/4") entre el borde posterior de la estufa y el interior de la parte posterior del gabinete.

PLANIFICACIÓN DEL CONDUCTO



- Este sistema de ventilación de tiro invertido está diseñado para usarse con conductos de 3-1/4" x 10" (8.25 cm x 25.4 cm) (se puede cambiar a uno redondo de 6" [15.25]). Hay tres direcciones de descarga disponibles con ajuste de lado a lado para la alineación precisa de los conductos.
- Para obtener los mejores resultados: seleccione una opción de instalación de conductos en la que use la longitud mínima de conductos y el mínimo número de codos y transiciones. Revise la ubicación de las vigas del piso, montantes de la pared, cableado eléctrico o sistemas de tubería para que no vayan a interferir con la instalación. **NOTA:** La unidad se envía con una descarga de 3-1/4" x 10" (8.25 cm x 25.4 cm) orientada HACIA ABAJO. Si es necesario, consulte la sección "CAMBIO DE DIRECCIÓN DEL VENTILADOR" en la página 3.



- El sistema funcionará más eficientemente cuando la longitud de los conductos no excede 12.19 m (40 pies) de conducto recto equivalente. La tabla de arriba muestra la longitud equivalente de codos y transiciones. La longitud del conducto recto más la longitud equivalente de las transiciones y/o codos que se usen debe ser de 12.19 m (40 pies) o menos.

NOTA: Se ha tomado en consideración la longitud equivalente de varias tapas de techo y pared. No las incluya en este cálculo.

PLANIFICACIÓN DEL CABLEADO

- El sistema de ventilación de tiro invertido necesita 4 AMPERIOS y requiere un circuito de 120 VCA y 60 Hz.
- La unidad cuenta con un cable de alimentación de .60 m (2 pies) con un enchufe de tres patas. Asegúrese de que haya un tomacorrientes con conexión a tierra en un lugar donde se pueda conectar el cable de alimentación de la unidad. (Nota: si el modelo 865 se va a instalar en un gabinete de 30" (76 cm) de ancho o el modelo 965 se va a instalar en un gabinete de 36" (91.5 cm) de ancho, el tomacorrientes no se puede ubicar en la pared posterior del gabinete.) El tomacorrientes también puede estar montado en la pared, con un orificio de acceso en el gabinete.

PREPARACIÓN

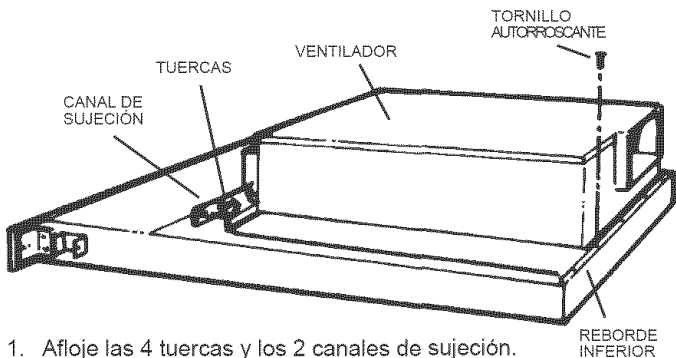
CAMBIO DE DIRECCIÓN DEL VENTILADOR (Opcional)

El ventilador se envía con la descarga orientada HACIA ABAJO. Realice los siguientes pasos SÓLO si:

- se necesita cambiar la posición de la descarga del ventilador para que los conductos no interfieran con las vigas del piso, el sistema de tubería ni el cableado que se indica a continuación.
- es necesario girar la descarga del ventilador hacia la DERECHA o hacia la IZQUIERDA.

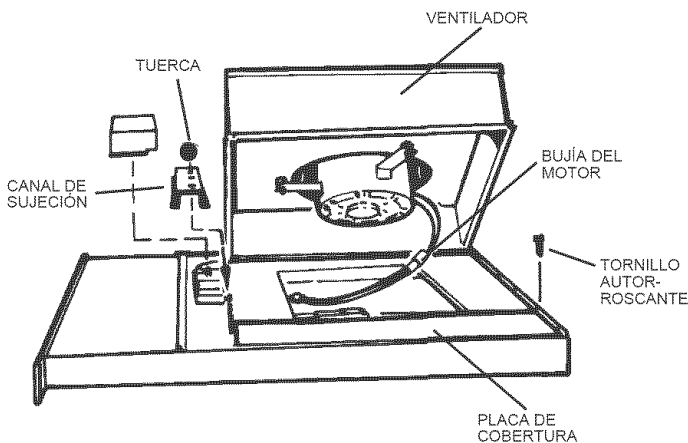
Coloque la unidad sobre su parte posterior en una mesa o superficie de trabajo.

DESCARGA HACIA ABAJO: CAMBIO HACIA LA IZQUIERDA O HACIA LA DERECHA



1. Afloje las 4 tuercas y los 2 canales de sujeción.
2. Deslice el ventilador hasta la posición deseada.
3. Utilice la placa de cobertura que se proporciona para cerrar el espacio abierto (si existe).
4. Apriete las tuercas de mariposa para fijar la parte superior del ventilador, y utilice los tornillos autorroscantes a través del reborde inferior para fijar la parte inferior del ventilador.

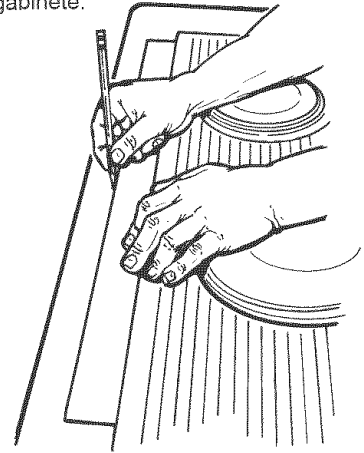
DESCARGA HACIA LA IZQUIERDA O HACIA LA DERECHA



1. Quite las 4 tuercas y los 2 canales de sujeción.
2. Con cuidado levante el ventilador y desconecte la bujía del motor, si es necesario. Vuelva a colocar el ventilador y VUELVA A CONECTAR LA BUJÍA DEL MOTOR.
3. Utilice la placa de cobertura que se proporciona para cerrar el espacio abierto (si existe).
4. Vuelva a poner los canales de sujeción y use las tuercas para fijar el ventilador en su nueva posición.
5. Utilice los tornillos autorroscantes a través del reborde inferior para fijar la parte inferior del ventilador.

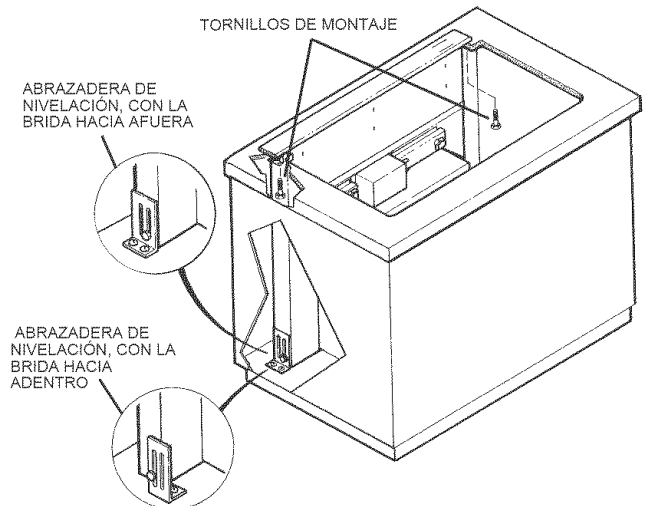
CORTE DE LA ABERTURA EN LA SUPERFICIE DEL GABINETE

1. Trace y haga la abertura para la estufa lo suficientemente HACIA ADELANTE para que el tiro invertido quepa detrás.
2. Coloque la estufa en su lugar y deslícela hacia adelante tanto como sea posible. Céntrela y escuadréla con los bordes de la superficie del gabinete.



3. Coloque la plantilla de plástico contra el reborde posterior de la estufa y céntrela. Trace alrededor de la plantilla para marcar la abertura del tiro invertido.
4. Quite la estufa del gabinete.
5. Haga la abertura para el tiro invertido. Tenga cuidado de no astillar los bordes de la superficie del gabinete.

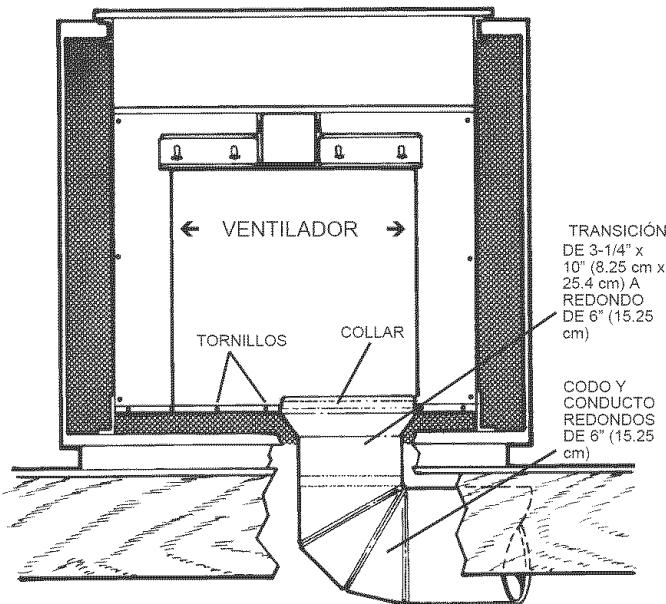
MONTAJE DE LA UNIDAD



1. Coloque el tiro invertido en la abertura. Extienda las abrazaderas de nivelación en el piso del gabinete de manera que el tiro quede recto. (Nota: las abrazaderas de nivelación se pueden quitar y volver a poner en otra posición. La brida inferior tendrá que quedar orientada hacia adentro cuando la instalación del gabinete sea en un espacio reducido.)
2. Fije el tiro invertido en la superficie del gabinete de la siguiente manera: Sujete el tiro invertido contra la parte posterior de la abertura en la superficie del gabinete y apriete los dos tornillos de montaje (uno a cada extremo de la unidad) en la parte de abajo de la superficie del gabinete. Utilice calzos de madera entre el tornillo y la parte de abajo de gabinetes de granito.
3. Atornille las abrazaderas de nivelación en la parte de abajo del gabinete. Apriete los tornillos que sujetan la abrazadera de nivelación a cada lado de la unidad.

INSTALACIÓN DE LOS CONDUCTOS

PRECAUCIÓN: ANTES DE HACER LOS ORIFICIOS PARA LOS CONDUCTOS EN EL GABINETE: Revise que las vigas del piso, los montantes de la pared, el cableado eléctrico y el sistema de tubería no interfieran con la instalación.



1. Corte el orificio en el gabinete y los orificios en la pared o el piso según sea necesario.
2. Monte la tapa del techo o de la pared y trabaje hacia atrás, hacia el gabinete, conectando todas las secciones de los conductos rectos, codos y transiciones como planeó anticipadamente. Fije con cinta todas las conexiones de los conductos para que queden fijas y herméticas.
3. Conecte los conductos (y las transiciones si es necesario) en el tiro invertido. Si es necesario, AFLOJE las tuercas y los tornillos que sujetan el ventilador en su lugar y deslice el ventilador hacia la izquierda o hacia la derecha para que se conecte a los conductos. Vuelva a apretar los tornillos y las tuercas.

Nota: Se proporciona un collar de 3-1/4" x 10" (8.25 cm x 25.4 cm) para las personas que prefieran remachar los conductos en la unidad. Esto permitirá quitar y volver a poner fácilmente el ventilador cuando se le de servicio, sin necesidad de mover los conductos.

TENDIDO DEL CABLEADO ELÉCTRICO

1. Monte en el interior del gabinete una caja estándar de conexiones, con un receptáculo para tres patas. Asegúrese de que se pueda tener acceso fácil al cable de alimentación del tiro invertido.
2. Tienda el cable de alimentación adecuado en el gabinete y conéctelo en el receptáculo.
3. Enchufe el cable de alimentación del tiro invertido en el tomacorrientes.

INSTALACIÓN DE LA ESTUFA

1. Alinee la estufa con el tiro invertido y fije la estufa en su lugar.

Nota: Es necesario que se alineen exactamente la estufa y el tiro invertido para asegurarse de que no haya interferencia cuando se suben y bajan las aberturas de ventilación. Debe haber un espacio de 1/32" - 1/16" (0.8 cm - 1.6cm) entre la parte posterior de la estufa y la parte frontal de la cubierta del tiro invertido.

FUNCIONAMIENTO

UP / DOWN

(ARRIBA / ABAJO) Eleva y baja las aberturas de ventilación. ENCIENDE el ventilador cuando las aberturas de ventilación están ARRIBA y lo APAGA cuando las aberturas de ventilación están ABAJO.

DELAY

DEMORA Permite que el ventilador funcione durante 5 minutos después de oprimir el botón. El ventilador funcionará durante 5 minutos, y luego se APAGARÁ. **LAS ABERTURAS DE VENTILACIÓN NO BAJARÁN.** Debe oprimir el botón UP / DOWN para bajar las aberturas de ventilación.

LOW / MED / HIGH

BAJO / MEDIO / ALATO Hace funcionar al ventilador a tres velocidades diferentes. Oprima el botón UNA VEZ para ENCENDER el ventilador a la velocidad deseada. Oprima OTRA VEZ el botón para APAGAR el ventilador.

FILTER LIGHT

INDICADOR DEL FILTRO Se ENCIENDE cada 30 horas de funcionamiento del ventilador para recordarle que debe limpiar los filtros. Oprima el botón para restablecerlo.

JUEGOS PARA PUERTA, OPCIONALES

MODELO N°.	DESCRIPCIÓN
DHZ8020	Blanco de 30" (76 cm)
DHZ8060	Negro de 30" (76 cm)
DHZ9020	Blanco de 36" (91.5 cm)
DHZ9060	Negro de 36" (91.5 cm)

USO Y CUIDADO

LIMPIEZA

ADVERTENCIA: Siempre desconecte el suministro de energía antes de limpiar la unidad.

Use un detergente suave adecuado para superficies pintadas. NO USE TELA ABRASIVA, ALMOHADILLAS DE FIBRA DE ACERO NI POLVOS ABRASIVOS. Limpie con aspiradora. No sumerja el ventilador en agua.

Lave los dos filtros de aluminio/acero inoxidable en una solución suave de detergente o en el lavaplatos. Quítelos de las aberturas de ventilación sujetándolos por la lengüeta que se encuentra en la parte superior de cada filtro.

SERVICIO

ADVERTENCIA: Siempre desconecte el suministro de energía antes de dar servicio a la unidad.

Es posible que sea necesario quitar el sistema de ventilación de tiro invertido del gabinete para dar servicio a componentes tales como el motor del ventilador o el mecanismo de ventilación.

Primero desconecte la energía que alimenta a la estufa y quítela. Invierta los pasos que se describen en la sección "MONTAJE DE LA UNIDAD" para quitar el tiro invertido del gabinete.

ESTATUTO DE LAS GARANTÍAS LAVADORAS DE PLATOS BOSCH

La garantía proporcionada por BSH Home Appliances LP ("Bosch") en este Estatuto de las Garantías se aplica únicamente a las lavadoras de platos Bosch vendidas al primer usuario, comprador de BOSCH o cualquiera de sus concesionarios autorizados, vendedores o centros de servicio de los Estados Unidos o Canadá. Las Garantías que aquí se ofrecen no son transferibles.

DURACIÓN DE LA GARANTÍA	INCLUIDO EN LA GARANTÍA
Garantía Completa Limitada de 1 Año A partir de la fecha de instalación*	Bosch reparará o reemplazará cualquier componente que se compruebe esté defectuoso al usarse bajo condiciones normales en el hogar sin cargo alguno, incluyendo los costos de mano de obra envío. La reparación debe ser realizada por un Centro Autorizado de Servicio Bosch.
Garantía Completa Limitada de 2 Años A partir de la fecha de instalación*	Bosch ofrecerá partes de reposición para cualquier componente que se compruebe esté defectuoso al usarse bajo condiciones normales en el hogar sin cargo, los costos de mano de obra no están incluidos.

** la fecha de instalación se refiere a la fecha cuando la lavadora de platos fue instalada, o bien diez días hábiles después de la fecha de entrega.*

Exclusiones.

Esta garantía no cubre las reparaciones o servicios para corregir la instalación de la lavadora de platos, para proveer información de cómo usar su lavadora de platos, para reemplazar fusibles domésticos o corregir la plomería o la instalación eléctrica en su hogar o bien para reparar cualquier lavadora de platos cuyo uso fue hecho de otra manera que no es la normal y acostumbrada dentro del hogar. Además, las garantías proporcionadas en este Estatuto excluyen cualquier defecto o daño derivado de un accidente, alteración, mal uso, abuso, instalación incorrecta, servicio no autorizado y fuerzas externas más allá del control de Bosch, tales como incendio, inundación y otros actos de Dios o bien, la instalación no llevada a cabo de acuerdo con los códigos eléctricos y de plomería locales. Esta garantía no cubre los cargos de la mano de obra en que se incurra al reparar o reemplaza cualquier lavadora de platos después de un año a partir de la fecha de instalación. Todas y cada una de las partes reemplazadas o reparadas de cualquier lavadora de platos deberá asumir la identidad de la original, para propósitos del periodo de la garantía que aplique.

HASTA EL PUNTO PERMITIDO POR LA LEY, ESTA GARANTÍA QUEDA EXENTA DE TODAS OTRAS GARANTÍAS AÑADIDAS E IMPLICADAS, INCLUYENDO LAS GARANTÍAS IMPLÍCITAS DE COMPRAVENTA Y AJUSTES PARA PROPÓSITOS PARTICULARES. BOSCH NO ASUME NINGUNA RESPONSABILIDAD POR DAÑOS INCIDENTALES O CONSECUENTES.

PARA OBTENER EL SERVICIO DE LA GARANTÍA, PÓGASE EN CONTACTO CON EL CENTRO DE SERVICIO AUTORIZADO BOSCH MÁS CERCANO O LLAME AL 1-800/944-2904, O ESCRIBA DIRECTAMENTE A BSH HOME APPLIANCES LP EN: UA/HPS, 2800 SOUTH 25TH AVENUE, BROADVIEW, ILLINOIS 60153. ASEGÚRESE DE PROPORCIONAR EL NÚMERO DE MODELO DE LAVADORA DE PLATOS, EL NÚMERO DE SERIE, LA FECHA DE COMPRA Y EL NOMBRE Y LA DIRECCIÓN DEL VENDEDOR.

