

ELECTRIC DRYER INSTALLATION INSTRUCTIONS

INSTRUCTIONS POUR L'INSTALLATION DU SECHE-LINGE ELECTRIQUE

INSTRUCCIONES DE INSTALACIÓN DE LA SECADORA ELÉCTRICA

Table of Contents

DRYER SAFETY	2	Plan Vent System	8
INSTALLATION REQUIREMENTS.....	3	Install Vent System	9
Tools and Parts	3	Connect Vent	9
Location Requirements	4	LEVEL DRYER	10
Electrical Requirements	6	COMPLETE INSTALLATION CHECKLIST	10
Install Leveling Legs	6	REVERSE DOOR SWING (OPTIONAL)	11
VENTING REQUIREMENTS	7	TROUBLESHOOTING	14

Table des matières

SECURITE DU SECHE-LINGE	15	Planification du système d'évacuation	21
EXIGENCES D'INSTALLATION	17	Installation du circuit d'évacuation	22
Outillage et pièces	17	Raccordement du conduit d'évacuation	23
Exigences d'emplacement.....	17	REGLAGE DE L'APLOMB DU SECHE-LINGE.....	23
Spécifications électriques.....	19	ACHEVER L'INSTALLATION – LISTE DE VERIFICATION.....	24
Installation des pieds de nivellement.....	20	INVERSION DE LA PORTE (FACULTATIF).....	24
EXIGENCES CONCERNANT L'ÉVACUATION	20	DEPANNAGE	28

Índice

SEGURIDAD DE LA SECADORA	29	Planificación del sistema de ventilación	35
REQUISITOS DE INSTALACIÓN	30	Instalación del sistema de ventilación.....	36
Herramientas y piezas.....	30	Conexión del conducto de escape.....	37
Requisitos de ubicación.....	31	NIVELACIÓN DE LA SECADORA.....	37
Requisitos eléctricos.....	33	LISTA DE CONTROL DE LA INSTALACIÓN TERMINADA	38
Instalación de las patas niveladoras.....	34	CAMBIO DEL SENTIDO DE ABERTURA DE LA	
REQUISITOS DE VENTILACIÓN	34	PUERTA (OPCIONAL)	38
		SOLUCIÓN DE PROBLEMAS.....	42

DRYER SAFETY

Your safety and the safety of others are very important.

We have provided many important safety messages in this manual and on your appliance. Always read and obey all safety messages.



This is the safety alert symbol.

This symbol alerts you to potential hazards that can kill or hurt you and others.

All safety messages will follow the safety alert symbol and either the word “DANGER” or “WARNING.”

These words mean:

⚠ DANGER

You can be killed or seriously injured if you don't immediately follow instructions.

⚠ WARNING

You can be killed or seriously injured if you don't follow instructions.

All safety messages will tell you what the potential hazard is, tell you how to reduce the chance of injury, and tell you what can happen if the instructions are not followed.



WARNING - “Risk of Fire”

- Clothes dryer installation must be performed by a qualified installer.
- Install the clothes dryer according to the manufacturer's instructions and local codes.
- Do not install a clothes dryer with flexible plastic venting materials or flexible metal (foil type) duct. If flexible metal duct is installed, it must be of a specific type identified by the appliance manufacturer as suitable for use with clothes dryers. Flexible venting materials are known to collapse, be easily crushed, and trap lint. These conditions will obstruct clothes dryer airflow and increase the risk of fire.
- To reduce the risk of severe injury or death, follow all installation instructions.
- Save these instructions.

IMPORTANT SAFETY INSTRUCTIONS

WARNING: To reduce the risk of fire, electric shock, or injury to persons when using the dryer, follow basic precautions, including the following:

- Read all instructions before using the dryer.
- Do not place items exposed to cooking oils in your dryer. Items contaminated with cooking oils may contribute to a chemical reaction that could cause a load to catch fire.
- Do not dry articles that have been previously cleaned in, washed in, soaked in, or spotted with petrol, dry-cleaning solvents, or other flammable or explosive substances as they give off vapors that could ignite or explode.
- Do not allow children to play on or in the dryer. Close supervision of children is necessary when the dryer is used near children.
- Before the dryer is removed from service or discarded, remove the door to the drying compartment.
- Do not reach into the dryer if the drum is moving.
- Do not install or store the dryer where it will be exposed to the weather.
- Do not tamper with controls.
- Do not repair or replace any part of the dryer or attempt any servicing unless specifically recommended in this Use and Care Guide or in published user-repair instructions that you understand and have the skills to carry out.
- This appliance is not intended for use by persons (including children) with reduced physical, sensory or mental capabilities, or lack of experience and knowledge, unless they have been given supervision or instructions concerning use of the appliance by persons responsible for their safety.
- Do not use fabric softeners or products to eliminate static unless recommended by the manufacturer of the fabric softener or product.
- Do not use heat to dry articles containing foam rubber or similarly textured rubber-like materials.
- Clean lint screen before or after each load.
- Keep area around the exhaust opening and adjacent surrounding areas free from the accumulation of lint, dust, and dirt.
- The interior of the dryer and exhaust vent should be cleaned periodically by qualified service personnel.
- See installation instructions for earthing requirements.

SAVE THESE INSTRUCTIONS

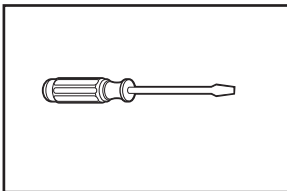
FOR YOUR SAFETY

1. Do not use or store gasoline or other flammable materials in this appliance or near this appliance.
2. Do not spray aerosols in the vicinity of this appliance while it is in operation.
3. Do not modify this appliance.

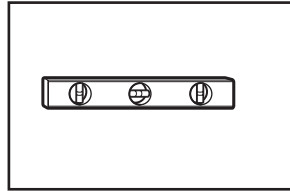
INSTALLATION REQUIREMENTS

Tools and Parts:

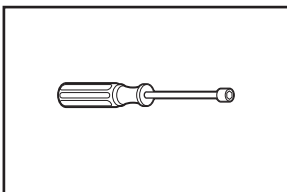
Gather required tools and parts before starting installation.



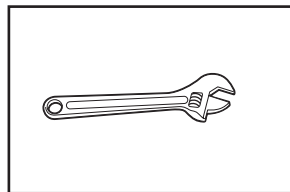
Flat-blade screwdriver



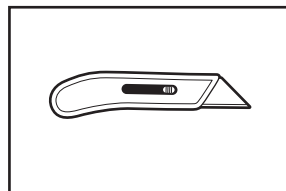
Level



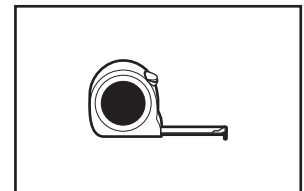
6,2 mm (1/4") nut driver



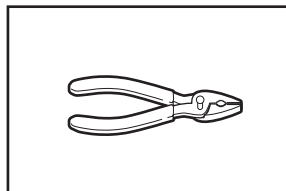
Adjustable wrench that opens to 25 mm (1") or a hex-head socket



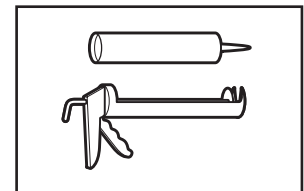
Utility knife



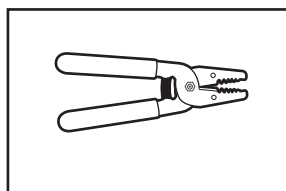
Tape measure



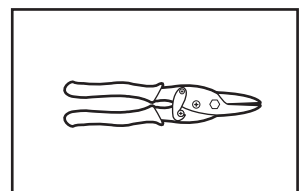
Pliers



Caulking gun and compound (for installing new exhaust vent)

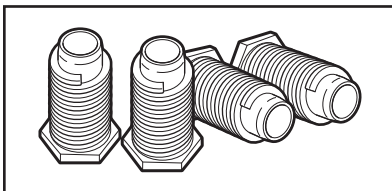


Wire stripper (direct wire installations)



Tin snips (new vent installations)

Parts supplied (all models):



Leveling legs (4)

Parts package is located in dryer drum. Check that all parts are included.

Parts needed: (not supplied with dryer)

- Electric Cord and Plug
- Vent clamps
- Vent elbows and ductwork

If using a power supply cord:

Use a UL listed power supply cord kit marked for use with dryers. The kit should contain:

- A UL listed 30-amp power supply cord, rated 240 volt minimum. The cord should be type SRD or SRDT and be at least 4 ft (1.22 m) long. The wires that connect to the dryer must end in ring terminals or spade terminals with upturned ends.
- A UL listed strain relief.

Additional parts may be required, depending on your installation. Check local codes. Check existing electrical supply and venting. Read “Electrical Requirements” and “Venting Requirements” before purchasing parts.

LOCATION REQUIREMENTS

WARNING



Explosion Hazard

Keep flammable materials and vapors, such as gasoline, away from dryer.

Place dryer at least 460 mm (18 inches) above the floor for a garage installation.

Failure to do so can result in death, explosion, or fire.

Select proper location for your dryer to improve performance and minimize noise. Check code requirements. Some codes limit, or do not permit, installation of the dryer in garages, closets, mobile homes, or sleeping quarters. Contact your local building inspector.

You will need:

- A location that allows for proper exhaust installation. The dryer must be exhausted to the outdoors. See “Venting Requirements.”
- A floor that will support the dryer and a total weight (dryer and load) of 90,7 kg (200 lbs). The combined weight of a companion appliance should also be considered.
- A level floor with maximum slope of 25 mm (1") under entire dryer. If slope is greater than 25 mm (1"), install Extended Dryer Feet Kit. Clothes may not tumble properly and models with automatic sensor cycles may not operate correctly if dryer is not level.
- It is important to make sure the room has an adequate air supply for drying operation. The operation of this appliance may affect the operation of other appliances which take their air supply for safe combustion from the same room.
- Adequate ventilation must be provided to avoid a backflow of gases into the room from appliances burning other fuels, including open fires. If in doubt consult the appliance manufacturers.

IMPORTANT: The dryer must not be installed or stored in an area where it will be exposed to water and/or weather. Do not operate your dryer at temperatures below 7°C (45°F). At lower temperatures, the dryer might not shut off at the end of an automatic cycle. Drying times can be extended.

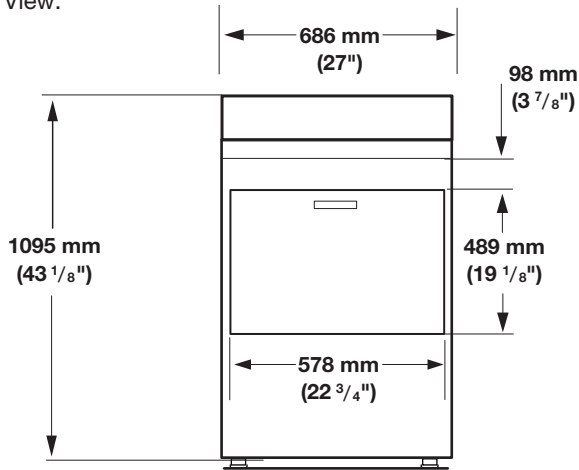
Proper installation is your responsibility.

Installation clearances:

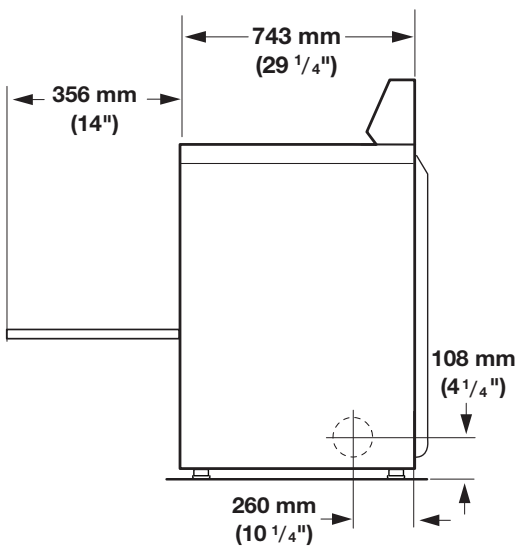
For each arrangement, consider allowing more space for ease of installation and servicing; spacing for companion appliances and clearances for walls, doors, and floor moldings. Space must be large enough to allow door to fully open. Add spacing on all sides of dryer to reduce noise transfer. If a closet door or louvered door is installed, top and bottom air openings in door are required.

Dryer Dimensions

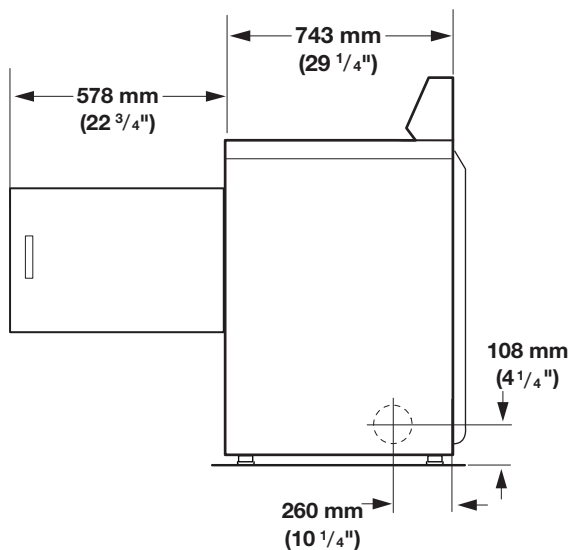
Front View:



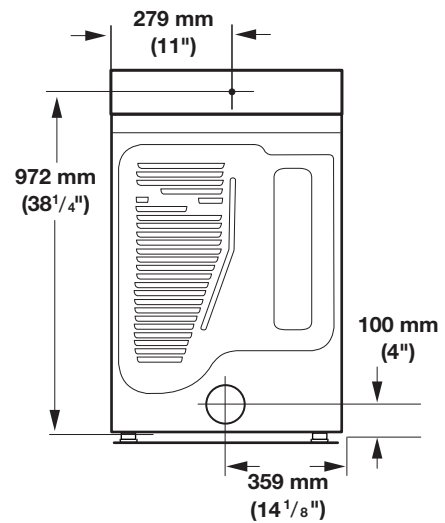
Side View:



Side View of Side Swing Door:

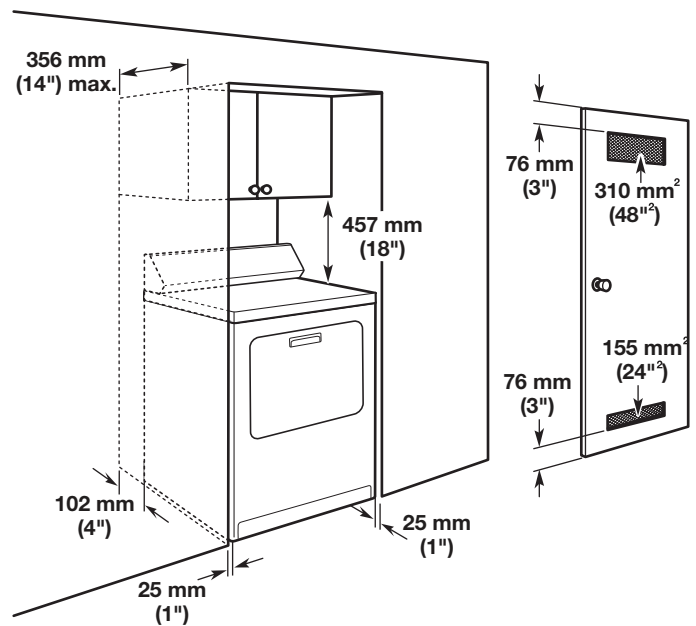


Back View:



Recessed Area and Closet Installation

This dryer may be installed in a recessed area or closet. If a closet door or louvered door is installed, the minimum unobstructed air openings in the top and bottom of the door are required. For recessed area and closet installations, minimum clearances can be found on the serial tag on the dryer.



- Dimensions shown are minimum spacings required. Consider allowing more space for ease of installation, servicing, and compliance with local codes and ordinances.
- Additional spacing for companion appliances and clearances for walls, doors, and floor moldings should also be considered. Add spacing of 25 mm (1") on all sides of dryer to reduce noise transfer.
- This dryer must not be installed behind a lockable door, a sliding door or a door with a hinge on the opposite side to that of the dryer.
- The dryer must be exhausted outdoors.
- No other fuel-burning appliance may be installed in the same closet as the dryer.

ELECTRICAL REQUIREMENTS

⚠ WARNING



Electrical Shock Hazard

Electrically ground this appliance.

Do not use an extension cord.

Failure to follow these instructions can result in death, fire, or electrical shock.

This dryer is supplied without an electric cord and plug.

It is your responsibility:

- To contact a qualified electrical installer.
- To be sure that the electrical connection is adequate and in conformance with all local codes and ordinances.
- To supply the required single phase, 240 volt, 60 Hz, AC only electrical supply on a separate 30-amp circuit fused on both sides of the line. A time-delay fuse or circuit breaker is recommended. Connect to an individual branch circuit. Do not have a fuse in the neutral or grounding circuit.
- Do not use an extension cord.
- If codes permit and a separate ground wire is used, it is recommended that a qualified electrician determine that the ground path is adequate.

Electrical Connection

To properly install your dryer, you must determine the type of electrical connection you will be using and follow the instructions provided for it here.

If using a power supply cord:

Use a UL listed power supply cord kit marked for use with clothes dryers. The kit should contain:

- A UL listed 30-amp power supply cord, rated 240 volt minimum. The cord should be type SRD or SRDT and be at least 4 ft (1.22 m) long. The wires that connect to the dryer must end in ring terminals or spade terminals with upturned ends.
- A UL listed strain relief.

Connecting by direct wire:

Power supply cable must match power supply and be:

- Flexible armored cable or nonmetallic sheathed copper cable (with ground wire), covered with flexible metallic conduit. All current-carrying wires must be insulated.
- 10-gauge solid copper wire (do not use aluminum).
- At least 5 ft (1.52 m) long.

Recommended Grounding Method

- It is your responsibility to contact a qualified electrical installer to ensure that the electrical installation is adequate and in conformance with all local codes and ordinances.

GROUNDING INSTRUCTIONS

- For a grounded, cord-connected dryer:
This dryer must be grounded. In the event of malfunction or breakdown, grounding will reduce the risk of electric shock by providing a path of least resistance for electric current. The plug must be plugged into an appropriate outlet that is properly installed and grounded in accordance with all local codes and ordinances.

WARNING: Improper connection of the equipment-grounding conductor can result in a risk of electric shock. Check with a qualified electrician or service representative or personnel if you are in doubt as to whether the dryer is properly grounded. Do not modify the plug provided with the dryer: if it will not fit the outlet, have a proper outlet installed by a qualified electrician.

SAVE THESE INSTRUCTIONS

INSTALL LEVELING LEGS

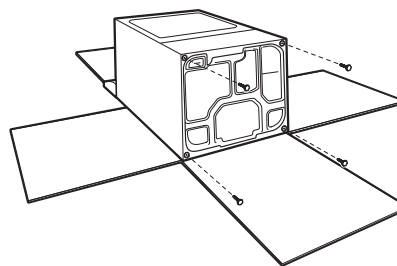
⚠ WARNING

Excessive Weight Hazard

Use two or more people to move and install dryer.

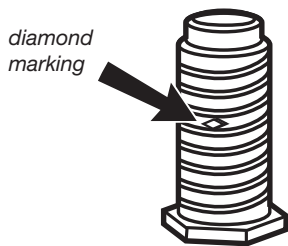
Failure to do so can result in back or other injury.

1. Prepare dryer for leveling legs



To avoid damaging floor, use a large flat piece of cardboard from dryer carton; place under entire back edge of dryer. Firmly grasp dryer body (not console panel) and gently lay dryer down on cardboard.

2. Screw in leveling legs



Examine leveling legs, find diamond marking. Screw legs into leg holes by hand, use a wrench to finish turning legs until diamond marking is no longer visible.

Now stand the dryer on its feet. Slide the dryer until it is close to its final location. Leave enough room for electrical connection and to connect the exhaust vent.

VENTING REQUIREMENTS

⚠ WARNING



Fire Hazard

Use a heavy metal vent.

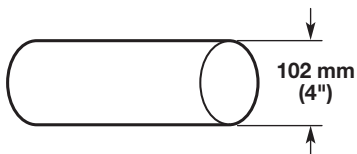
Do not use a plastic vent.

Do not use a metal foil vent.

Failure to follow these instructions can result in death or fire.

WARNING: To reduce the risk of fire, this dryer **MUST BE EXHAUSTED OUTDOORS.**

IMPORTANT: Observe all governing codes and ordinances. Dryer exhaust must not be connected into any gas vent, chimney, wall, ceiling, attic, crawlspace, or a concealed space of a building. Only rigid or flexible metal vent shall be used for exhausting.



- Only a 102 mm (4") heavy metal exhaust vent and clamps may be used. Do not install metal vent that is smaller than 102 mm (4") in diameter.
- Do not use plastic, non-metal, or metal foil vent.

Rigid metal vent

- Recommended for best drying performance and to avoid crushing and kinking.

Flexible metal vent: (Acceptable only if accessible to clean)

- Must be fully extended and supported in final dryer location.
- Remove excess flexible metal vent to avoid sagging and kinking that may result in reduced airflow and poor performance.

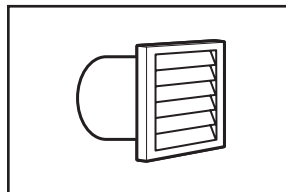
- Do not install in enclosed walls, ceilings, or floors.
- The total length should not exceed 2.4 m (7¾ ft.).

NOTE: If using an existing vent system, clean lint from entire length of the system and make sure exhaust hood is not plugged with lint. Replace plastic or metal foil vents with rigid metal or flexible metal vents. Review "Vent System Chart" and if necessary, modify existing vent system to achieve best drying performance.

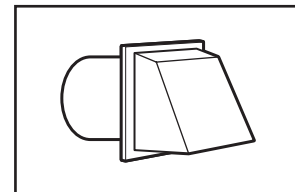
Exhaust hoods:

- Must be at least 305 mm (12") from ground or any object that may obstruct exhaust (such as flowers, rocks, bushes, or snow).

Recommended Styles:

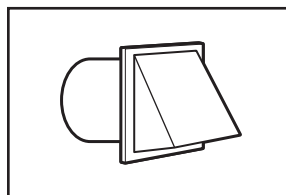


Louvered Hood



Box Hood

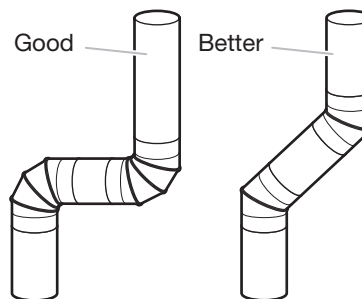
Acceptable Style:



Angled Hood

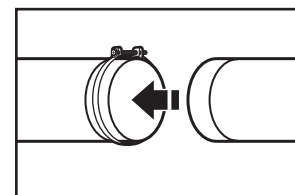
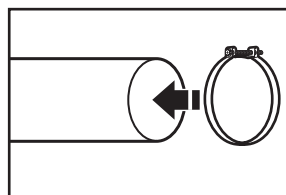
Elbows:

- 45° elbows provide better airflow than 90° elbows.



Clamps:

- Use clamps to seal all joints.
- Exhaust vent must not be connected or secured with screws or other fastening devices that extend into interior of duct and catch lint. Do not use duct tape.



Vent products can be purchased from your dealer. For more information, see "Assistance or Service" section in your "Use and Care Guide."

Improper venting can cause moisture and lint to collect indoors, which may result in:

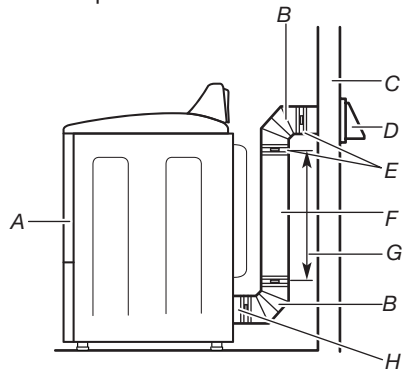
- Moisture damage to woodwork, furniture, paint, wallpaper, carpets, etc.
- Housecleaning problems and health problems.

PLAN VENT SYSTEM

The design of the flue system should ensure that any condensate formed when operating the appliance from cold, is either retained and subsequently evaporated or discharged. Following these installation instructions should adequately meet this requirement.

Recommended exhaust installations

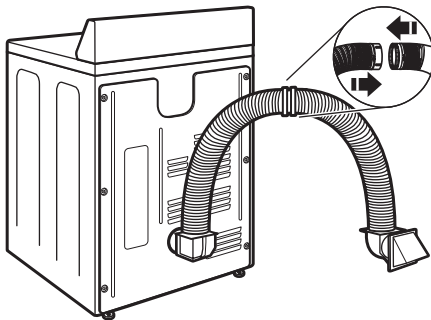
Typical installations vent the dryer from the rear of the dryer. Other installations are possible.



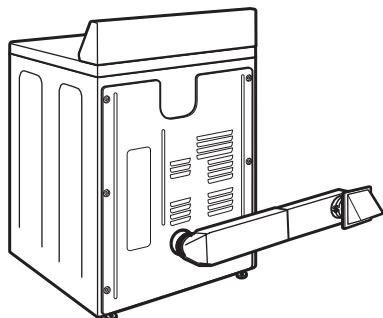
- A. Dryer
- B. Elbow
- C. Wall
- D. Exhaust hood
- E. Clamps
- F. Rigid metal or flexible metal vent
- G. Vent length necessary to connect elbows
- H. Exhaust outlet

Alternate installations for close clearances

Venting systems come in many varieties. Select the type best for your installation. Two close-clearance installations are shown. Refer to the manufacturer's instructions.



Over-The-Top installation (also available with one offset elbow)



Periscope installation

If you prefer, dryer may be converted to exhaust out right side, left side, or through bottom. You must contact your local dealer to have dryer converted.

Determine vent path:

- Select route that will provide straightest and most direct path outdoors.
- Plan installation to use fewest number of elbows and turns.
- When using elbows or making turns, allow as much room as possible.
- Bend vent gradually to avoid kinking.
- Use as few 90° turns as possible.

⚠ WARNING



Fire Hazard

- Use a heavy metal vent.**
- Do not use a plastic vent.**
- Do not use a metal foil vent.**
- Failure to follow these instructions can result in death or fire.**

Determine vent length and elbows needed for best drying performance:

- Use following Vent System Chart to determine type of vent material and hood combinations acceptable to use.

NOTE: Do not use vent runs longer than those specified in Vent System Chart. Exhaust systems longer than those specified will:

- Shorten life of dryer.
- Reduce performance, resulting in longer drying times and increased energy usage.

Vent System Chart

Number of 90° turns or elbows	Type of vent	Box/louvered hoods	Angled hoods
0	Rigid metal	15,8 m (52 ft.)	13,4 m (44 ft.)
1	Rigid metal	13,4 m (44 ft.)	11,0 m (36 ft.)
2	Rigid metal	11,0 m (36 ft.)	18,5 m (28 ft.)
3	Rigid metal	8,2 m (27 ft.)	6,4 m (21 ft.)
4	Rigid metal	6,1 m (20 ft.)	4,3 m (14 ft.)

The Vent System Chart provides venting requirements that will help achieve best drying performance.

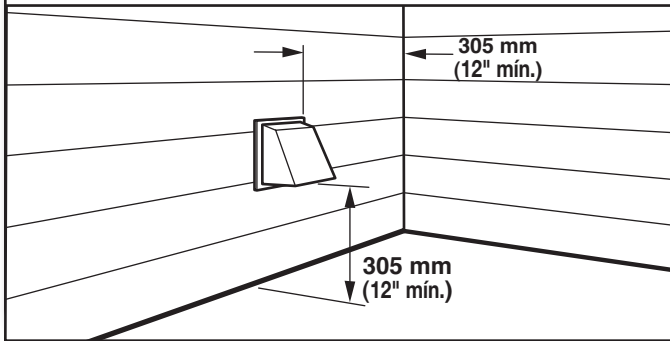
NOTE: Side and bottom exhaust installations have a 90° turn inside the dryer. To determine maximum exhaust length, add one 90° turn to the chart.

The maximum length using a 51 mm x 152 mm (2" x 6") rectangular vent with 2 elbows and a 64 mm (2-1/2") exhaust hood is 2,4 m (8 ft).

For exhaust systems not covered by the Vent System Chart (such as multiple unit hookups, plenums, and power-assist fans), see Service Manual. (To purchase the Service Manual, contact your local authorized service dealer.)

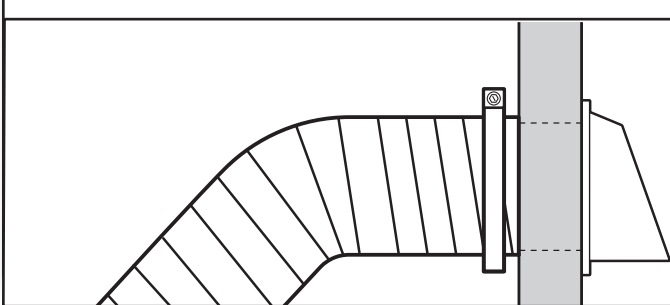
INSTALL VENT SYSTEM

1. Install exhaust hood



Install exhaust hood and use caulking compound to seal exterior wall opening around exhaust hood.

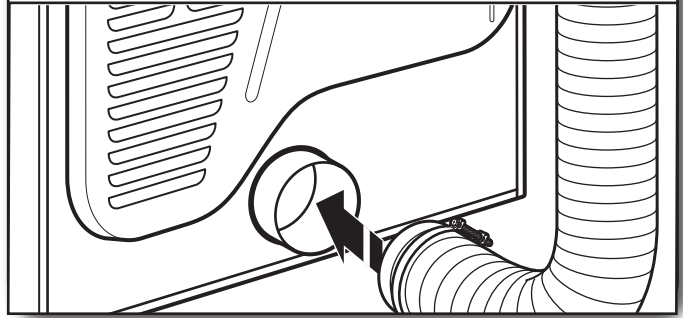
2. Connect vent to exhaust hood



Vent must fit over the exhaust hood. Secure vent to exhaust hood with 102 mm (4") clamp. Run vent to dryer location using straightest path possible. Avoid 90° turns. Use clamps to seal all joints. Do not use duct tape, screws, or other fastening devices that extend into interior of vent to secure vent, because they can catch lint.

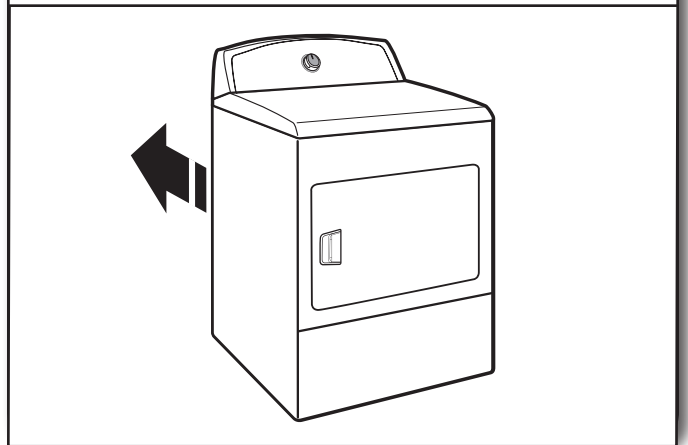
CONNECT VENT

1. Connect vent to exhaust outlet



Using a 102 mm (4") clamp, connect vent to exhaust outlet in dryer. If connecting to existing vent, make sure vent is clean. Dryer vent must fit over dryer exhaust outlet and inside exhaust hood. Check that vent is secured to exhaust hood with a 102 mm (4") clamp.

2. Move dryer to final location



Move dryer to final location. Avoid crushing or kinking vent. After dryer is in place, remove corner posts and cardboard from under the dryer.

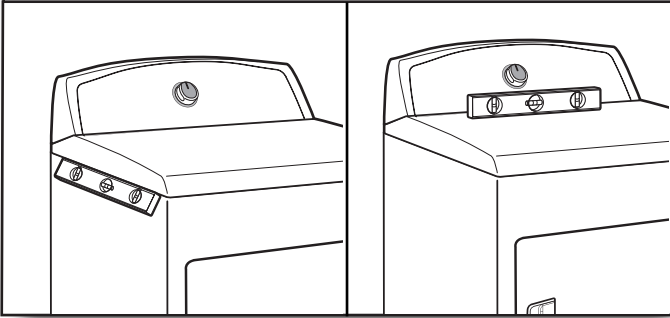
LEVEL DRYER

⚠ WARNING

Excessive Weight Hazard

**Use two or more people to move and install dryer.
Failure to do so can result in back or other injury.**

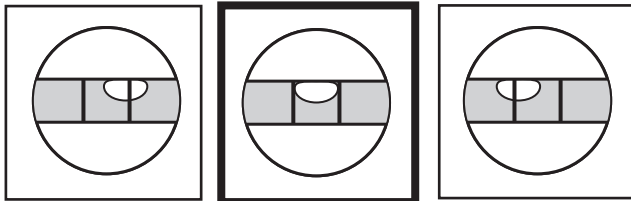
1. Level Dryer



Check levelness of dryer from side to side. Repeat from front to back.

NOTE: The dryer must be level to reduce noise and assure proper performance.

If legs are not long enough to level dryer, order Extended Dryer Feet kit (sold two legs per kit), from your dealer.

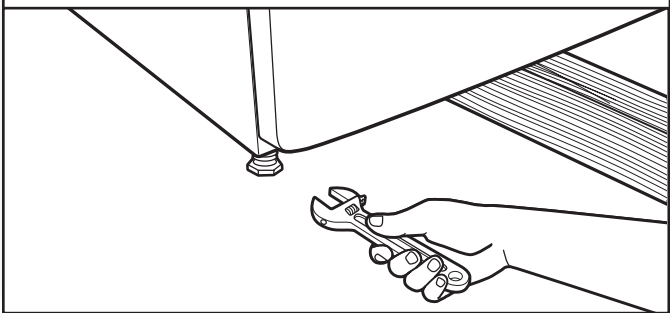


Not Level

LEVEL

Not Level

2. Tighten and adjust leveling legs



If dryer is not level, prop up using a wood block, use wrench to adjust legs up or down, and check again for levelness. Once legs are level, make sure all four legs are snug against the ground.

COMPLETE INSTALLATION CHECKLIST

- Check that all parts are now installed. If there is an extra part, go back through steps to see what was skipped.
- Check that you have all of your tools.
- Dispose of/recycle all packaging materials.
- Check dryer's final location. Be sure vent is not crushed or kinked.
- For power supply cord installation, plug into an outlet. For direct wire installation, turn on power.
- Check that dryer is level. See "Level Dryer".
- Remove film on console and any tape remaining on dryer.
- Wipe dryer drum interior thoroughly with a damp cloth to remove any dust.
- Read "Dryer Use" in your Use and Care Guide.
- Set the dryer on a full heat cycle (not an air cycle) for 20 minutes and start the dryer.

If the dryer will not start, check the following:

- Controls are set in a running or "On" position.
 - Start button has been pushed firmly.
 - Dryer is plugged into an outlet and/or electrical supply is on.
 - Household fuse is intact and tight, or circuit breaker has not tripped.
 - Dryer door is closed.
- When the dryer has been running for 5 minutes, open the dryer door and feel for heat. If you feel heat, cancel cycle and close the door.

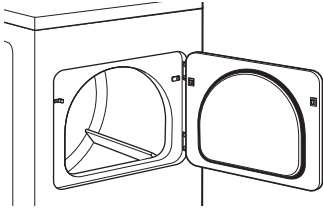
If you do not feel heat, turn off dryer, and check the following:

- There may be 2 household fuses or circuit breakers for the dryer. Check that both fuses are intact and tight, or that both circuit breakers have not tripped. If there is still no heat, contact a qualified technician.

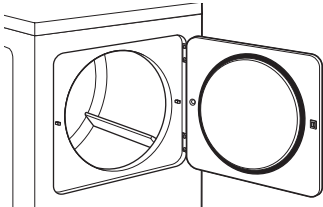
NOTE: You may notice an odor when the dryer is first heated. This odor is common when the heating element is first used. The odor will go away.

REVERSE DOOR SWING (OPTIONAL) (MODELS WITH SIDE SWINGS DOORS ONLY)

If your door is the 29" Large Side-Swing Door, follow steps 1-6.



If your door is the 29" Super Wide Side-Swing Door, follow steps 1-13.



NOTE: Magnetized screw driver is helpful.

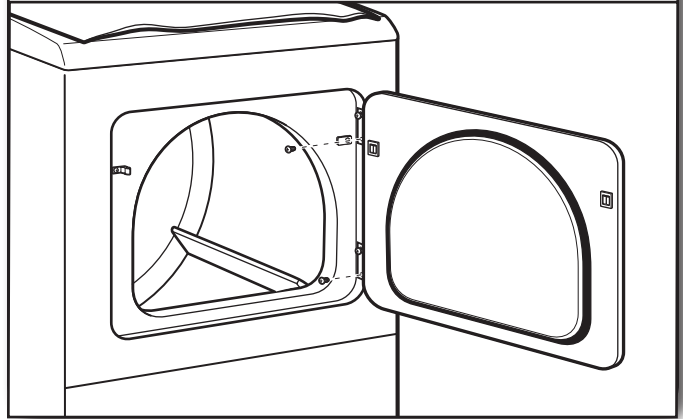
Large Side-Swing Door

1. Place towel on dryer



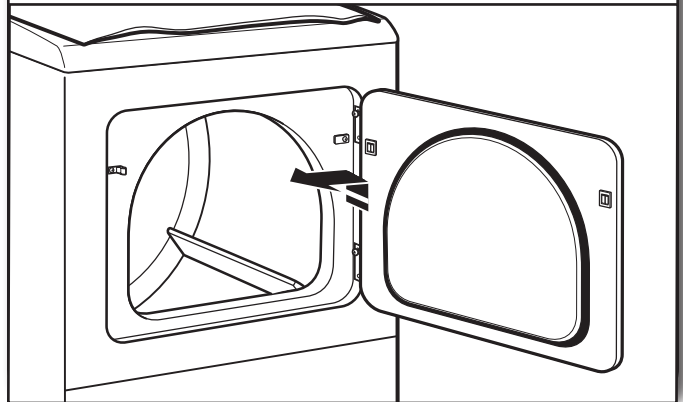
Place towel on top of dryer to avoid damaging the surface.

2. Remove bottom screws



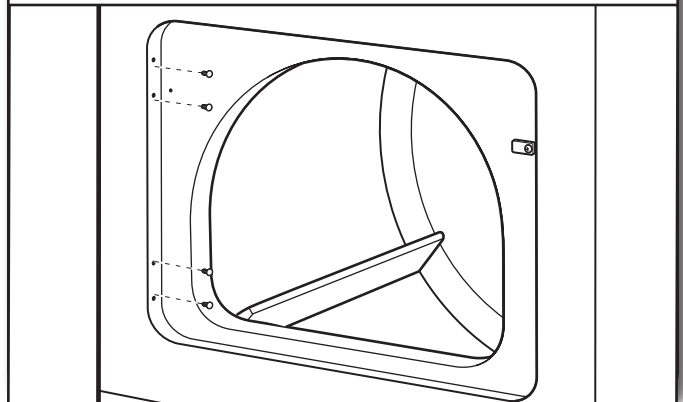
Open dryer door. Remove bottom screws from dryer cabinet side of hinges. Loosen (do not remove) top screws from dryer cabinet side of hinges.

3. Lift door off top screws



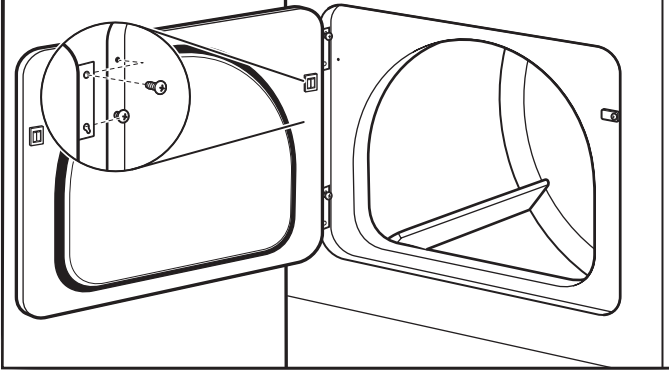
Lift door until top screws in cabinet are in large part of hinge slot. Pull door forward off screws. Set door on top of dryer. Remove top screws from dryer cabinet.

4. Remove and transfer hinge hole plugs



Use a small, flat-blade screwdriver to gently remove 4 hinge hole plugs on left side of dryer cabinet. Insert plugs into hinge holes on opposite side of dryer cabinet.

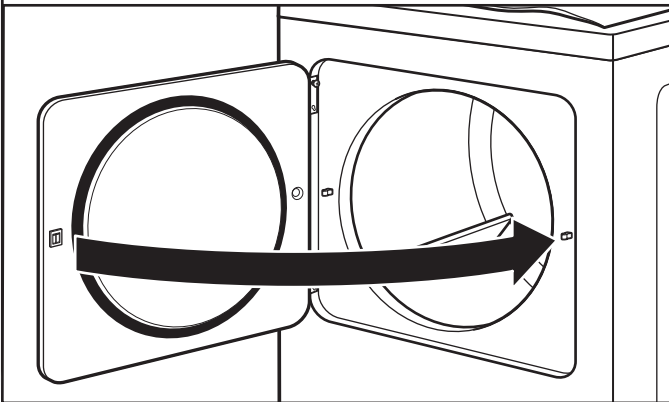
5. Insert screws in hinge holes on dryer cabinet



NOTE: Two people maybe needed to reinstall door.

Insert screws into bottom holes on left side of dryer cabinet. Tighten screws halfway. Position door so large end of door hinge slot is over screws. Slide door up so screws are in bottom of slots. Tighten screws. Insert and tighten top screws in hinges.

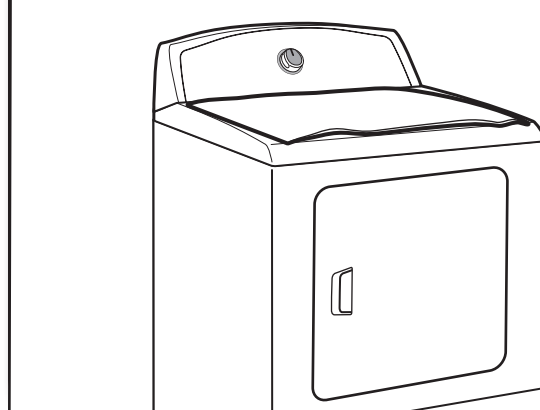
6. Check door strike alignment



Close door and check that door strike aligns with door catch. If needed, slide door catch left or right within slot to adjust alignment.

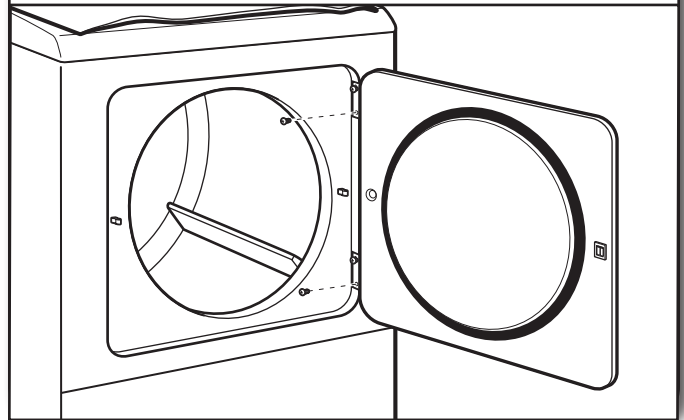
Super Wide Side-Swing Door

1. Place towel on dryer



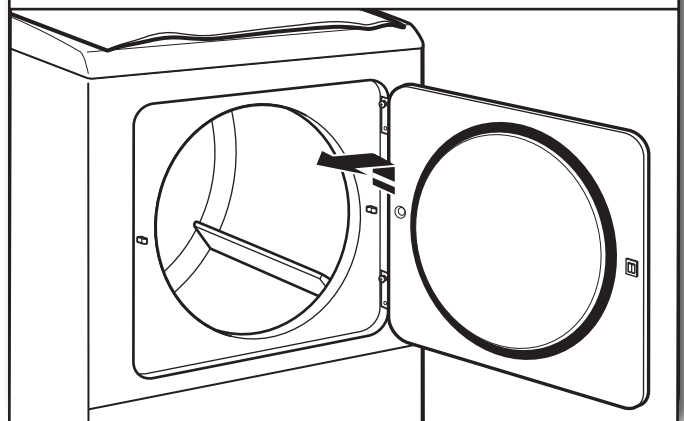
Place towel on top of dryer to avoid damaging the surface.

2. Remove bottom screws



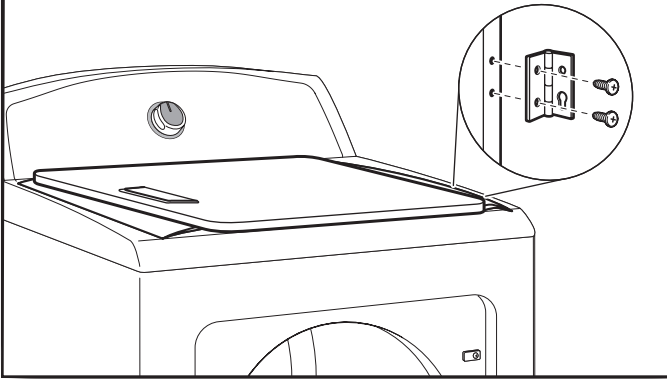
Open dryer door. Remove bottom screws from dryer cabinet side of hinges. Loosen (do not remove) top screws from dryer cabinet side of hinges.

3. Lift door off top screws



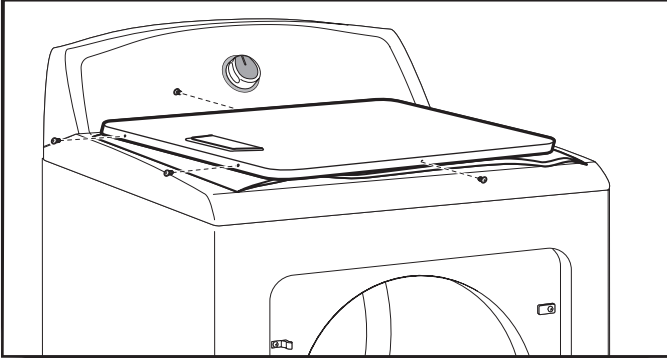
Lift door until top screws in dryer cabinet are in large part of hinge slot. Pull door forward off screws. Set door (handle side up) on top of dryer. Remove top screws from dryer cabinet.

4. Remove screws from hinges



Remove screws attaching hinges to door.

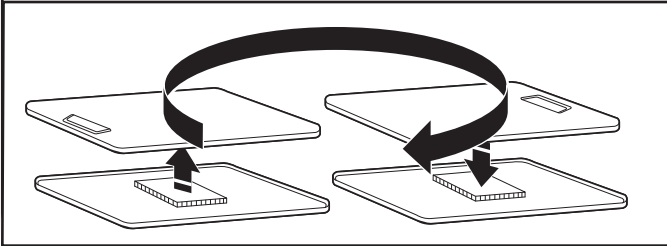
5. Remove screws from door



Remove screws at top, bottom, and side of door (4 screws). Keep door screws separate from hinge screws as they are different sizes. Holding door over towel on dryer, grasp sides of outer door and lift to separate it from inner door.

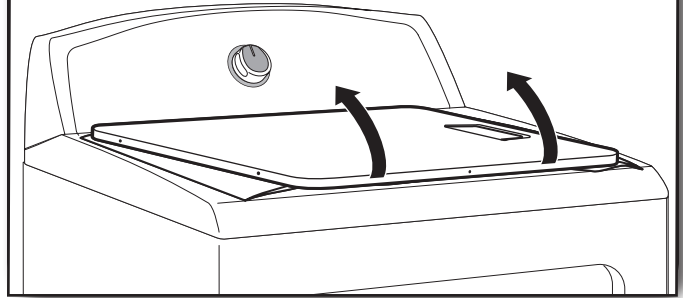
NOTE: Do not pry apart with putty knife or screwdriver. Do not pull on door seal or plastic door catches.

6. Rotate outer door



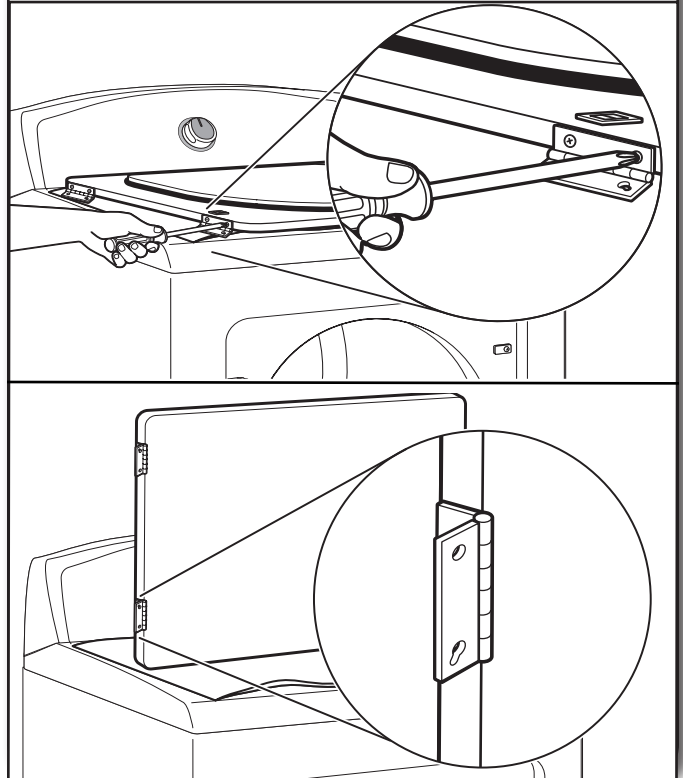
Take outer door and rotate in 180° and set it back down on inner door. Be certain to keep cardboard spacer centered between doors. Reattach outer door panel to inner door panel so handle is on the side where hinges were just removed. Insert 4 door screws.

7. Flip door over



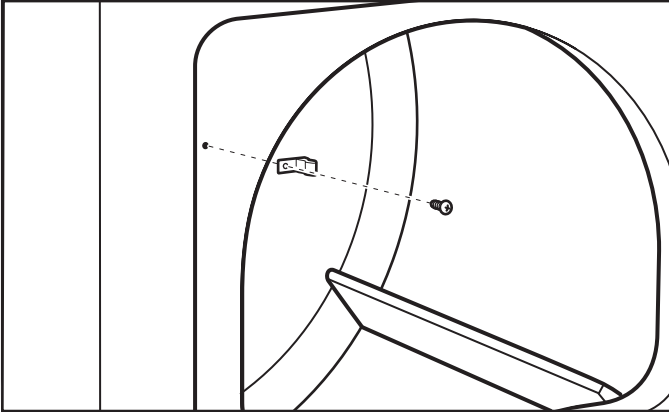
Flip door over so handle side is down.

8. Attach door hinges



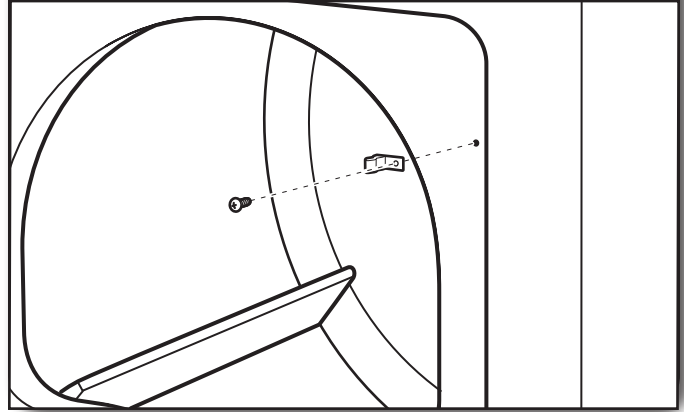
Reattach door hinges to dryer door so that the larger hole is at the bottom of the hinge.

9. Remove door strike



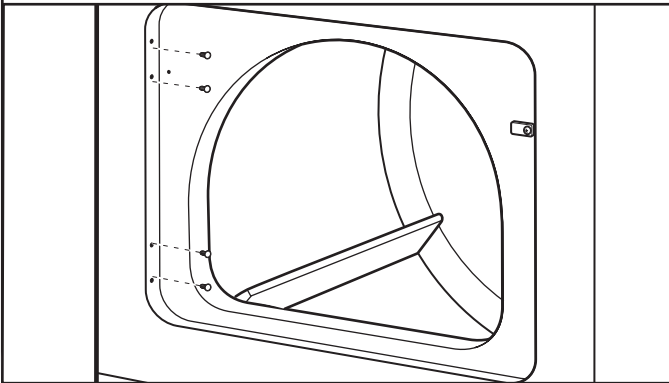
Remove door strike from dryer cabinet and set aside.

12. Remove door strike plug



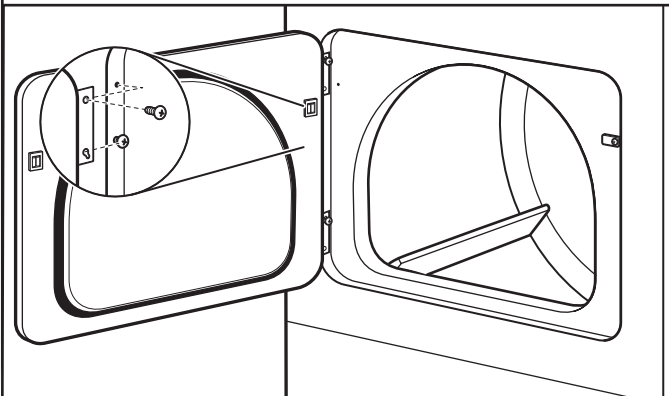
Remove door strike plug. Insert the door strike removed in Step 9 into hole and secure with screw. Insert door strike plug into original door strike hole and secure with screw.

10. Remove and transfer hinge hole plugs



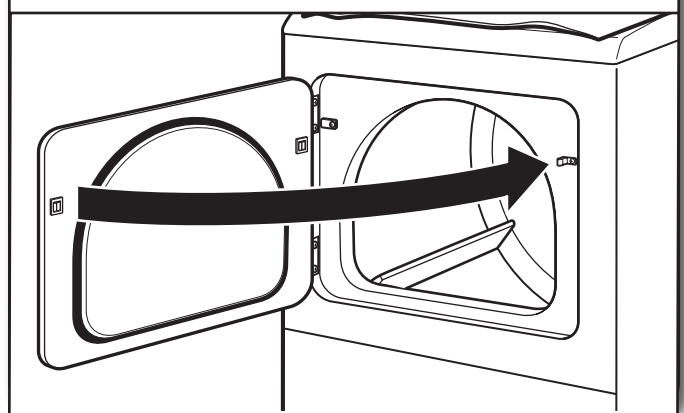
Use a small, flat-blade screwdriver to gently remove 4 hinge hole plugs on left side of dryer cabinet. Transfer plugs into hinge holes on opposite side of dryer cabinet.

11. Insert screws in hinge holes on dryer cabinet



NOTE: Two people maybe needed to reinstall door. Insert screws into the bottom holes on left side of dryer cabinet. Tighten screws halfway. Position door so large end of door hinge slot is over screws. Slide door up so screws are in bottom of slots. Tighten screws. Insert and tighten top screws in hinges.

13. Check door strike alignment



Close door and check that door strike aligns with door catch. If it is needed, slide door catch left or right within slot to adjust alignment.

TROUBLESHOOTING

See the "Use and Care Guide" to possibly avoid the cost of a service call.

SECURITE DU SECHE-LINGE

Votre sécurité et celle des autres est très importante.

Nous donnons de nombreux messages de sécurité importants dans ce manuel et sur votre appareil ménager. Assurez-vous de toujours lire tous les messages de sécurité et de vous y conformer.



Voici le symbole d'alerte de sécurité.

Ce symbole d'alerte de sécurité vous signale les dangers potentiels de décès et de blessures graves à vous et à d'autres.

Tous les messages de sécurité suivront le symbole d'alerte de sécurité et le mot "DANGER" ou "AVERTISSEMENT". Ces mots signifient :

 **DANGER**

Risque possible de décès ou de blessure grave si vous ne suivez pas immédiatement les instructions.

 **AVERTISSEMENT**

Risque possible de décès ou de blessure grave si vous ne suivez pas les instructions.

Tous les messages de sécurité vous diront quel est le danger potentiel et vous disent comment réduire le risque de blessure et ce qui peut se produire en cas de non-respect des instructions.



AVERTISSEMENT - "Risque d'incendie"

- L'installation du sèche-linge doit être effectuée par un installateur qualifié.
- Installer le sèche-linge conformément aux instructions du fabricant et aux codes locaux.
- Ne pas installer de sèche-linge avec des matériaux d'évacuation en plastique souple. Si un conduit métallique souple (de type papier d'aluminium) est installé, celui-ci doit être d'un type spécifique identifié par le fabricant de l'appareil et convenir à une utilisation avec les sèche-linge. Les matériaux d'évacuation souples sont connus pour s'affaisser, être facilement écrasés et bloquer la charpie. Ces situations obstrueront le débit d'air du sèche-linge et augmenteront le risque d'incendie.
- Pour réduire le risque de blessure grave ou de décès, suivre toutes les instructions d'installation
- Conserver ces instructions.

IMPORTANTES INSTRUCTIONS DE SECURITE

AVERTISSEMENT : Pour réduire le risque d'incendie, de choc électrique ou de blessure lors de l'utilisation du sèche-linge, il convient d'observer certaines précautions élémentaires dont les suivantes :

- Lire toutes les instructions avant d'utiliser le sèche-linge.
- Ne pas placer des articles exposés aux huiles de cuisson dans votre sèche-linge. Les articles contaminés par des huiles de cuisson peuvent contribuer à une réaction chimique qui pourrait causer à la charge de s'enflammer.
- Ne pas faire sécher dans le sèche-linge des articles qui ont déjà été nettoyés, lavés, imbibés, ou tachés d'essence, de solvants pour nettoyage à sec, d'autres substances inflammables, ou de substances explosives puisqu'elles dégagent des vapeurs qui peuvent provoquer un incendie ou une explosion.
- Ne pas permettre à des enfants de jouer sur ou à l'intérieur du sèche-linge. Une surveillance étroite est nécessaire lorsque le sèche-linge est utilisé près d'eux.
- Avant d'enlever le sèche-linge du service ou le jeter, enlever la porte du compartiment de séchage.
- Ne pas mettre la main dans le sèche-linge si le tambour est en mouvement.
- Ne pas installer ni entreposer le sèche-linge où il sera exposé aux intempéries.
- Ne pas jouer avec les commandes.
- Ne pas réparer ni remplacer une pièce du sèche-linge ou essayer d'en faire l'entretien à moins d'une recommandation spécifique dans le guide d'utilisation et d'entretien, ou publiée dans les instructions de réparation par l'utilisateur que vous comprenez et pouvez exécuter avec compétence.
- Cet appareil ne convient pas à une utilisation par des personnes (y compris des enfants) à capacités physiques, sensorielles ou mentales réduites, ou possédant un manque d'expérience et de connaissances, à moins qu'elles ne soient placées sous supervision ou qu'elles aient reçu des instructions concernant l'utilisation de l'appareil par une personne responsable de leur sécurité.
- Ne pas utiliser un produit assouplissant pour tissu ou des produits pour éliminer l'électricité statique à moins qu'ils ne soient recommandés par le fabricant du produit assouplissant de tissu ou du produit.
- Ne pas utiliser de programme avec chaleur pour sécher les articles contenant du caoutchouc mousse ou des matériaux dont la texture est similaire à celle du caoutchouc.
- Nettoyer le filtre à peluches avant et après chaque charge.
- Ne pas laisser les peluches, la poussière, ou la saleté s'accumuler autour du système d'évacuation ou autour de l'appareil.
- Un nettoyage périodique de l'intérieur du sèche-linge et du conduit d'évacuation doit être effectué par une personne qualifiée.
- Voir les instructions d'installation pour les exigences de liaison de l'appareil à la terre.

CONSERVEZ CES INSTRUCTIONS

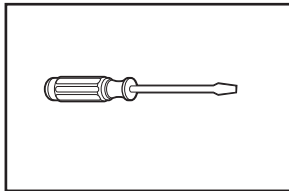
POUR VOTRE SECURITE

1. Ne pas utiliser ni entreposer d'essence ou d'autres matériaux inflammables à l'intérieur ou à proximité de cet appareil.
2. Ne pas vaporiser d'aérosols à proximité de cet appareil durant son fonctionnement.
3. Ne pas modifier cet appareil.

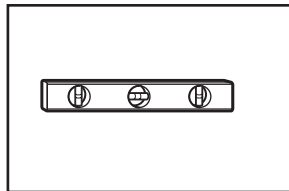
EXIGENCES D'INSTALLATION

Outillage et Pièces

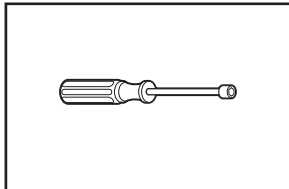
Rassembler les outils et pièces nécessaires avant de commencer l'installation.



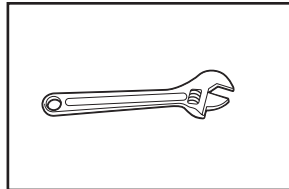
Tournevis à lame plate



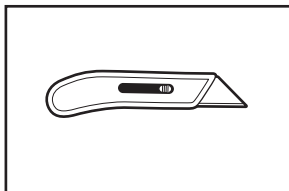
Niveau



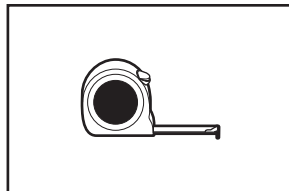
Clé à douille ou tourne-écrou de 6,2 mm (1/4")



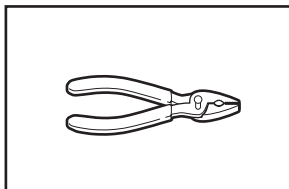
Clé à molette avec ouverture jusqu'à 25 mm (1") ou clé à douille hexagonale



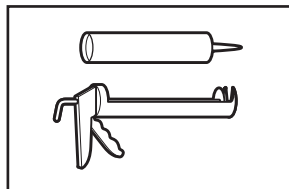
Couteau universel



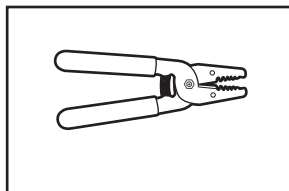
Mètre à ruban



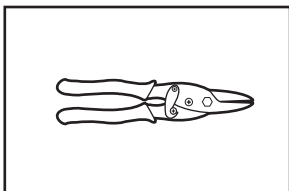
Pince



Pistolet à calfeutrage et composé de calfeutrage (pour l'installation d'un nouveau conduit d'évacuation)

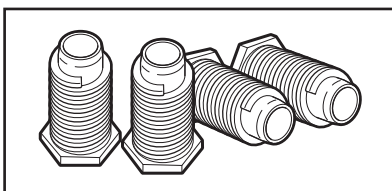


Pince à dénuder (installations avec raccordement par câblage direct)



Cisaille de ferblantier (pour l'installation d'un nouveau conduit d'évacuation)

Pièces fournies (pour tous les modèles) :



Pieds de nivellement (4)

Retirer le sac de pièces du tambour du sèche-linge. Vérifier la présence de toutes les pièces.

Pièces nécessaires : (non fournies avec le sèche-linge)

- Cordon d'alimentation
- Clapets d'évacuation
- Coudes et les conduits de ventilation

En cas d'utilisation d'un câble d'alimentation électrique :

Utiliser un ensemble de câble d'alimentation électrique homologué UL marqué pour utilisation avec les sèche-linge. L'ensemble doit contenir :

- Un câble d'alimentation électrique homologué UL de 30 ampères, 240 volts minimum. Le câble doit être de type SRD ou SRDT et mesurer au moins 4 pi (1,22 m) de long. Les fils raccordés au sèche-linge doivent se terminer par des cosses rondes ou à fourche à pointes relevées.
- Un serre-câble (homologation UL).

Des pièces supplémentaires seront peut-être nécessaires, selon l'installation. Consulter les codes locaux. Vérifier l'alimentation électrique et le circuit d'évacuation existants. Consulter "Spécifications électriques" et "Exigences concernant l'évacuation" avant d'acheter les pièces.

EXIGENCES D'EMPLACEMENT

⚠ AVERTISSEMENT



Risque d'explosion

Garder les matières et les vapeurs inflammables, telle que l'essence, loin de la sècheuse.

Placer la sècheuse au moins 460 mm (18 po) au-dessus du plancher pour une installation dans un garage.

Le non-respect de ces instructions peut causer un décès, une explosion ou un incendie.

Choisir un emplacement approprié pour le sèche-linge afin d'en améliorer la performance et de réduire au maximum le bruit qu'il produit. Vérifier les spécifications des codes. Certains codes limitent ou interdisent l'installation des sèche-linge dans un garage, un placard, une maison mobile ou une chambre à coucher. Contacter l'inspecteur en bâtiments local.

Il vous faudra :

- Un emplacement permettant une évacuation appropriée. L'évacuation du sèche-linge doit se faire à l'extérieur. Voir "Exigences concernant l'évacuation".
- Le plancher doit pouvoir soutenir le poids du sèche-linge de 90,7 kg (200 lb). Tenir également compte du poids des appareils voisins.
- Un plancher de niveau avec une pente maximale de 1" (25 mm) sous l'ensemble du sèche-linge. Si l'inclinaison est supérieure à 25 mm (1"), installer l'ensemble de pieds d'extension. Si le sèche-linge n'est pas d'aplomb, il est possible que le linge ne culbute pas convenablement et que les programmes commandés par détecteurs automatiques ne fonctionnent pas correctement.
- Il est important de s'assurer que la pièce dans laquelle se trouve l'appareil possède un approvisionnement d'air suffisant pour permettre son bon fonctionnement. L'utilisation de cet appareil peut affecter celle d'autres appareils dont la source d'approvisionnement en air se fait dans la même pièce pour une combustion sans danger.

- Une aération adéquate est nécessaire pour éviter le retour dans la pièce de gaz en provenance d'appareils ménagers utilisant d'autres carburants comme combustible, y compris les feux ouverts. En cas de doute, consulter le fabricant de l'appareil.

IMPORTANT : Le sèche-linge ne doit pas être installé ou remis dans un endroit où il sera exposé à l'eau et/ou aux intempéries. Ne pas faire fonctionner le sèche-linge à des températures inférieures à 7° C (45° F). Des températures inférieures pourraient empêcher l'arrêt du sèche-linge à la fin des programmes automatiques commandés par détecteur, et causer des durées prolongées de séchage.

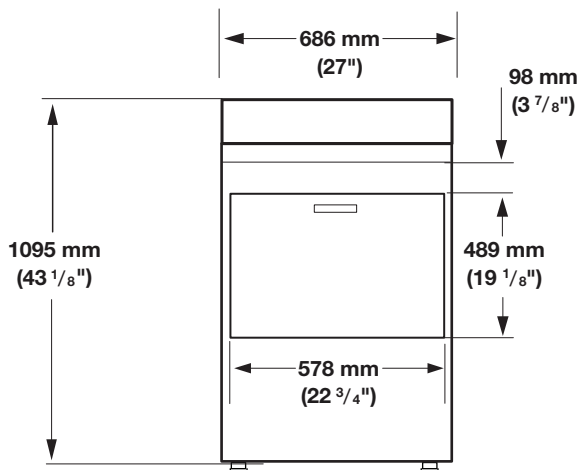
C'est à l'utilisateur qu'incombe la responsabilité de réaliser une installation correcte.

Dégagements de séparation :

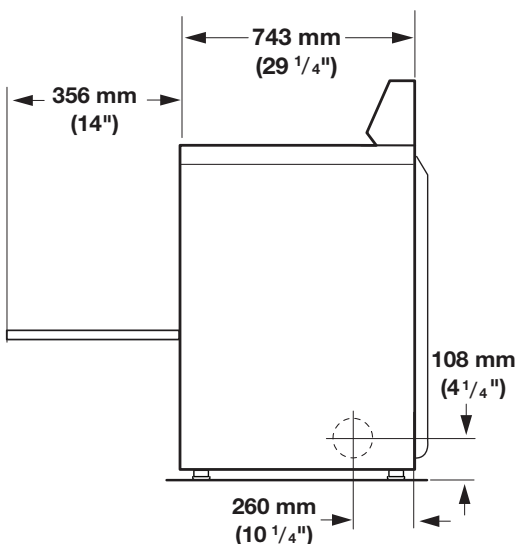
Pour chaque type de configuration, prévoir davantage de dégagement pour faciliter l'installation et l'entretien : laisser suffisamment de dégagement pour les appareils ménagers voisins et pour les murs, les portes et les plinthes. L'espacement doit être assez grand pour permettre d'ouvrir complètement la porte. Ajouter un espace supplémentaire tout autour du sèche-linge pour réduire le transfert de bruit. Si l'on installe une porte de placard ou une porte à persiennes, des ouvertures d'aération au sommet et au bas de la porte sont nécessaires.

Dimensions du produit

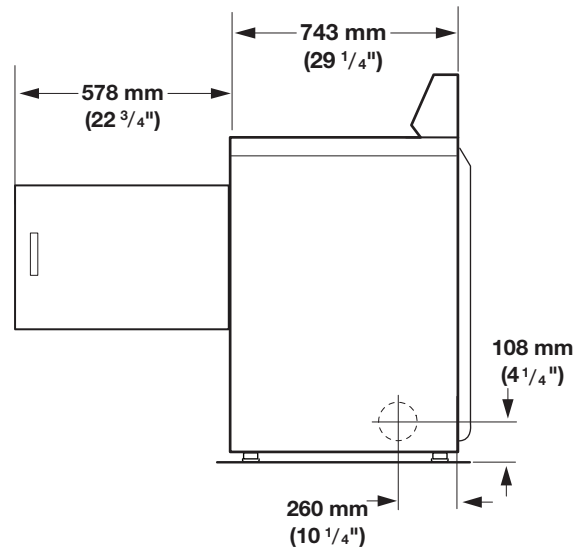
Vue de face :



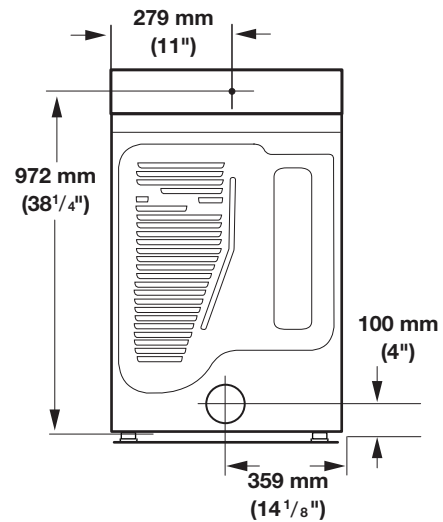
Vue latérale :



Vue latérale de la porte à ouverture latérale :

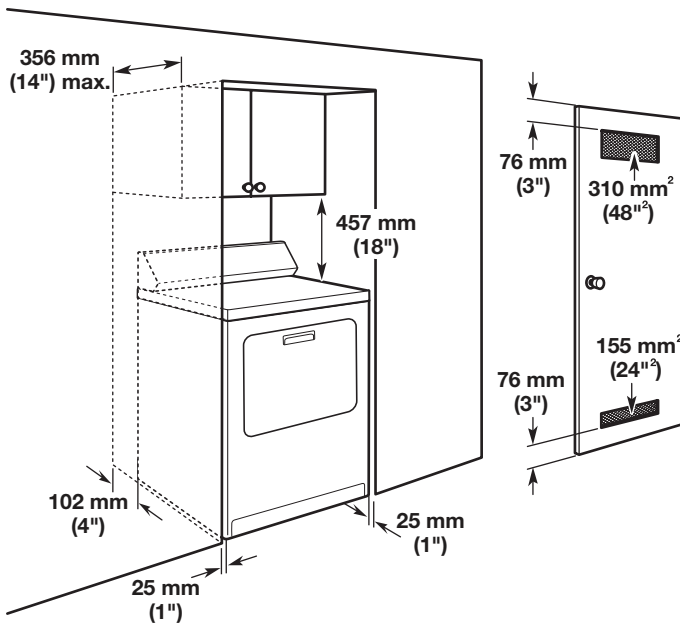


Vue arrière :



Espacement pour une installation dans un encastrement ou dans un placard

Ce sèche-linge peut être installé dans un encastrement ou un placard. Pour installation dans un placard avec porte, on doit prévoir des ouvertures minimums d'entrée d'air en haut et en bas de la porte. Pour les installations dans un encastrement ou un placard, les dimensions minimales sont indiquées sur l'étiquette du numéro de série du sèche-linge.



- Les dimensions indiquées correspondent aux dégagements minimaux nécessaires. Un espace supplémentaire peut être nécessaire pour faciliter l'installation et l'entretien, et pour respecter les codes et règlements locaux.
- Un espace supplémentaire peut être requis pour les moulures de porte et de plancher et pour les plinthes. Un espace supplémentaire de 25 mm (1") doit être envisagé de tous les côtés du sèche-linge afin de réduire le transfert de bruit.
- Ne pas installer ce sèche-linge derrière une porte pouvant être fermée à clé, une porte coulissante ou une porte avec charnière située du côté opposé à celui du sèche-linge.
- Le sèche-linge doit évacuer à l'extérieur.
- Aucun autre appareil consommant un combustible ne doit être installé dans le même placard que le sèche-linge.

SPECIFICATIONS ELECTRIQUES

⚠ WARNING



Risque de choc électrique

Relier cet appareil à la terre.

Ne pas utiliser de cordon de rallonge.

Le non-respect de ces instructions peut causer un décès, un incendie ou un choc électrique.

Ce sèche-linge est livré sans câble d'alimentation électrique et sans prise.

Il incombe à l'utilisateur de respecter les points suivants :

- Contacter un électricien qualifié.
- Veiller à ce que l'installation électrique soit correctement effectuée et soit conforme aux prescriptions de tous les codes locaux et nationaux en vigueur.

- L'appareil doit être alimenté par un circuit monophasé de 240 V, 60 Hz, CA uniquement sur un circuit séparé de 30 ampères, protégé par fusible aux deux extrémités de la ligne. On recommande d'utiliser un fusible ou un disjoncteur temporisé. On recommande également que cet appareil soit alimenté par un circuit indépendant. Le circuit du neutre ou de liaison à la terre ne doit pas contenir de fusible.

- Ne pas utiliser de câble de rallonge.

- Si les codes le permettent et si l'on utilise un conducteur distinct de liaison à la terre, il est recommandé qu'un électricien qualifié vérifie la qualité de la liaison à la terre.

Raccordement électrique

Pour installer correctement le sèche-linge, déterminer le type de raccordement électrique à utiliser et suivre les instructions ci-dessous.

En cas d'utilisation d'un câble d'alimentation électrique :

Utiliser un ensemble de câble d'alimentation électrique homologué UL et marqué pour utilisation avec les sèche-linge.

L'ensemble doit contenir :

- Un câble d'alimentation électrique homologué UL de 30 ampères, 240 volts minimum. Le câble doit être de type SRD ou SRDT et mesurer au moins 4 pi (1,22 m) de long. Les fils raccordés au sèche-linge doivent se terminer par des cosses rondes ou à fourche à pointes relevées.
- Un serre-câble (homologation UL).

Raccordement direct :

Le câble d'alimentation électrique doit correspondre à l'alimentation électrique et répondre aux critères suivants :

- Un câble en cuivre à gaine non métallique ou blindé souple (avec fil de liaison à la terre), avec conduit métallique souple. Tous les fils sous tension doivent être isolés.
- Fil en cuivre plein de calibre AWG 10 (ne pas utiliser d'aluminium).
- Longueur d'au moins 5 pi (1,52 m) de long.

Méthode recommandée de liaison à la terre

- Il incombe à l'utilisateur de contacter un électricien qualifié afin de veiller à ce que l'installation électrique soit réalisée de façon adéquate et en conformité avec les exigences de tous les codes et règlements locaux.

INSTRUCTIONS DE LIAISON A LA TERRE

- Pour un sèche-linge relié à la terre et connecté par un cordon :

Ce sèche-linge doit être relié à la terre. En cas d'anomalie de fonctionnement ou de panne, la liaison à la terre réduira le risque de choc électrique en offrant au courant électrique un itinéraire d'évacuation de moindre résistance. La fiche doit être branchée sur une prise de courant appropriée qui est bien installée et reliée à la terre conformément à tous les codes et règlements locaux.

AVERTISSEMENT : Un raccordement inapproprié du conducteur de liaison à la terre peut causer un risque de choc électrique. En cas de doute concernant la liaison à la terre du sèche-linge, consulter un électricien qualifié, un agent ou personnel d'entretien. Ne pas modifier la fiche fournie avec le sèche-linge; si elle ne s'adapte pas à la prise, faire installer une prise appropriée par un électricien qualifié.

CONSERVEZ CES INSTRUCTIONS

INSTALLATION DES PIEDS DE NIVELLEMENT

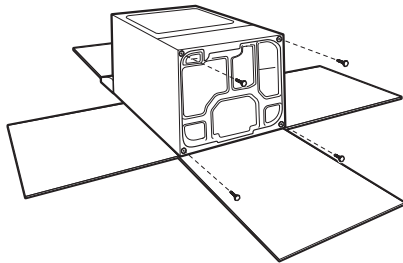
⚠ AVERTISSEMENT

Risque du poids excessif

Utiliser deux ou plus de personnes pour déplacer et installer le sèche-linge.

Le non-respect de cette instruction peut causer une blessure au dos ou d'autre blessure.

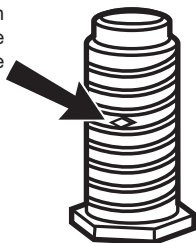
1. Préparer le sèche-linge pour les pieds de nivellement



Afin d'éviter d'endommager le plancher, utiliser un grand morceau de carton plat extrait de la boîte d'emballage du sèche-linge et le placer entièrement sous le sèche-linge. Saisir fermement le corps du sèche-linge (et non pas le panneau de la console) puis reposer le sèche-linge sur le carton avec précaution.

2. Visser les pieds de nivellement

symbole en forme de losange



Examiner les pieds de nivellement pour trouver le repère en forme de losange. Visser manuellement les pieds dans les trous pour pieds de nivellement et utiliser une clé pour terminer le vissage, jusqu'à ce que le repère en forme de losange ne soit plus visible.

À présent, redresser le sèche-linge et le placer sur ses pieds. Faire glisser le sèche-linge jusqu'à ce qu'il se trouve à proximité de son emplacement final. Laisser suffisamment d'espace pour pouvoir réaliser le raccordement électrique et raccorder le conduit d'évacuation.

EXIGENCES CONCERNANT L'EVACUATION

⚠ AVERTISSEMENT



Risque d'incendie

Utiliser un conduit d'évacuation en métal lourd.

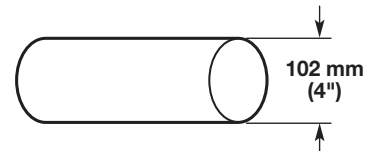
Ne pas utiliser un conduit d'évacuation en plastique.

Ne pas utiliser un conduit d'évacuation en feuille de métal.

Le non-respect de ces instructions peut causer un décès ou un incendie.

AVERTISSEMENT : Pour réduire le risque d'incendie, ce sèche-linge doit EVACUER L'AIR A L'EXTERIEUR.

IMPORTANT : Observer les dispositions de tous les codes et règlements en vigueur. Le conduit d'évacuation du sèche-linge ne doit pas être raccordé à une évacuation de gaz, une cheminée, un mur, un plafond, un grenier, un vide sanitaire ou un vide de construction. Seul un conduit d'évacuation métallique rigide ou souple doit être utilisé pour le système d'évacuation.



■ Utiliser uniquement un conduit d'évacuation en métal lourd de 102 mm (4") et des brides de serrage. Ne pas installer un conduit d'évacuation métallique de diamètre inférieur à 102 mm (4").

■ Ne pas utiliser de conduit de plastique ou de métal très mince.

Conduit métallique rigide :

■ Recommandé pour une performance de séchage idéale afin d'éviter tout écrasement ou déformation.

Conduit métallique flexible : (Acceptable uniquement si son accès reste facile pour le nettoyage)

■ Doit être entièrement déployé et soutenu à l'emplacement d'installation final du sèche-linge.

■ Enlever tout excès de conduit flexible pour éviter tout affaissement et déformation susceptible de réduire la capacité d'évacuation et le rendement.

■ Ne pas installer le conduit métallique flexible dans des cavités fermées de mur, plafonds ou planchers.

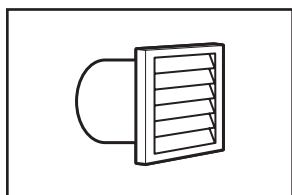
■ La longueur totale ne doit pas dépasser 2,4 m (7³/₄ pi.).

REMARQUE : Lors de l'utilisation d'un système d'évacuation existant, nettoyer et éliminer la charpie sur toute la longueur du système, et veiller à ce que le clapet d'évacuation ne soit pas obstrué par de la charpie. Remplacer tout conduit de plastique ou en aluminium par un conduit métallique rigide ou souple. Consulter à nouveau le tableau des systèmes d'évacuations et modifier le système d'évacuation existant au besoin pour obtenir un meilleur séchage.

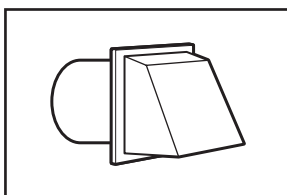
Clapets d'évacuation :

- Doit se trouver à au moins 305 mm (12") du plancher ou de tout objet susceptible d'obstruer l'ouverture d'évacuation (tels des fleurs, des pierres, des buissons ou de la neige).

Styles recommandés :

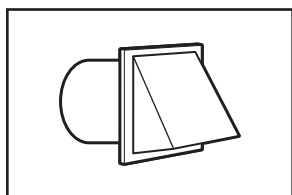


Clapet à persiennes



Clapet de type boîte

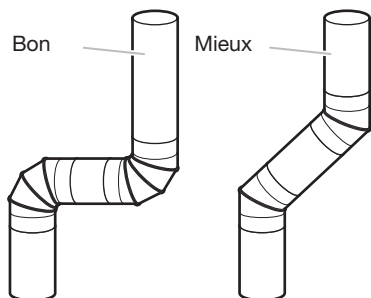
Style acceptable :



Clapet incliné

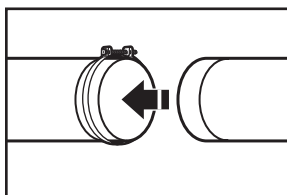
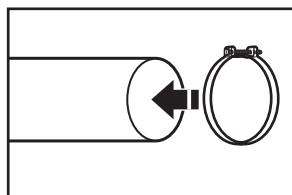
Coudes :

- Les coudes à 45° permettent une meilleure circulation de l'air que les coudes à 90°.



Brides de serrage :

- Utiliser des brides pour sceller tous les joints.
- Le conduit d'évacuation ne doit pas être raccordé ou fixé avec des vis ou tout autre dispositif de serrage qui se prolongerait à l'intérieur du conduit et retiendrait la charpie. Ne pas utiliser de ruban adhésif pour conduit.



Le matériel d'évacuation peut être acheté auprès de votre revendeur. Pour plus d'informations, voir la section "Assistance ou service" du "Guide d'utilisation et d'entretien".

Une mauvaise évacuation de l'air peut causer de l'humidité et une accumulation de charpie à l'intérieur de la maison, ce qui peut provoquer :

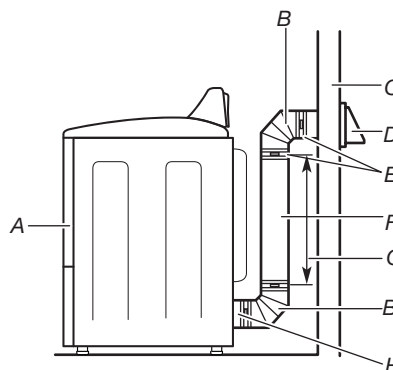
- Dommages par l'humidité aux boiseries, meubles, peinture, papier-peint, tapis, etc.
- Problèmes de nettoyage dans la maison et problèmes de santé.

PLANIFICATION DU SYSTÈME D'EVACUATION

La conception du système d'évacuation doit permettre à toute condensation formée pendant le fonctionnement de l'appareil d'être retenue ou évaporée ou encore évacuée. En suivant ces instructions d'installation, ces exigences sont convenablement respectées.

Installations d'évacuation recommandées

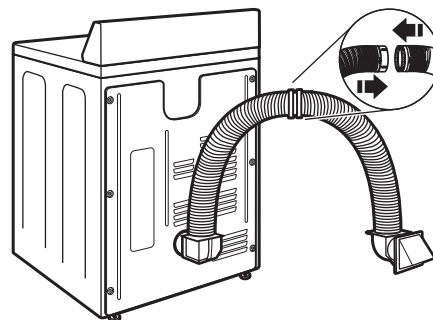
Les installations typiques consistent à acheminer le conduit d'évacuation à l'arrière du sèche-linge. D'autres installations sont possibles.



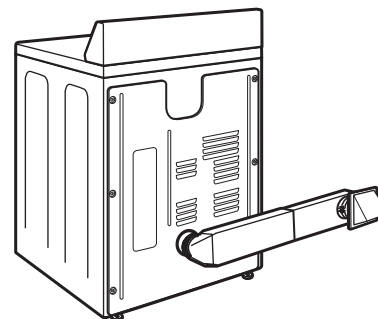
- | | |
|------------------------|--|
| A. Sèche-linge | F. Conduit d'évacuation métallique rigide ou souple |
| B. Raccord coudé | G. Longueur de conduit d'évacuation nécessaire pour le raccordement des coudes |
| C. Mur | H. Bouche de décharge |
| D. Clapet d'évacuation | |
| E. Brides | |

Autres installations avec dégagement réduit

Il existe de nombreux systèmes d'évacuation. Choisir le système qui convient le mieux à votre installation. Deux installations à dégagement réduit sont illustrées. Voir les instructions du fabricant.



Installation au-dessus du sèche-linge (également disponible avec un coude décalé)



Installation de périscope

Si vous préférez, le sèche-linge peut être converti pour évacuer par le bas. Contactez votre revendeur local pour convertir le sèche-linge.

Déterminer l'itinéraire d'acheminement du conduit :

- Choisir l'itinéraire d'acheminement vers l'extérieur qui sera le plus direct et le plus rectiligne.
- Planifier l'installation de façon à introduire un nombre minimal de coudes et de changements de direction.
- Si des coudes ou changements de direction sont utilisés, prévoir autant d'espace que possible.
- Plier le conduit graduellement pour éviter de le déformer.
- Utiliser le moins possible de changements de direction à 90°.

⚠ AVERTISSEMENT



Risque d'incendie

- Utiliser un conduit d'évacuation en métal lourd.
- Ne pas utiliser un conduit d'évacuation en plastique.
- Ne pas utiliser un conduit d'évacuation en feuille de métal.
- Le non-respect de ces instructions peut causer un décès ou un incendie.

Déterminer la longueur du conduit et le nombre de coudes nécessaires pour une performance optimale de séchage:

- Utiliser le tableau des systèmes d'évacuation suivant pour déterminer le type de matériel d'évacuation et les combinaisons de hotte acceptables.

REMARQUE : Ne pas utiliser de conduits de longueur supérieure à la valeur spécifiée dans le tableau des systèmes d'évacuation. Si la longueur du circuit est supérieure à la valeur spécifiée dans le tableau, on observera :

- Un cycle de vie réduit du sèche-linge.
- Une réduction du rendement, avec temps de séchage plus longs et une plus grande consommation d'énergie.

Tableau des systèmes d'évacuation

Nombre de coudes à 90°	Type de conduit d'évacuation	Clapets d'évacuation de type boîte ou à persiennes	Hottes d'évacuation inclinés
0	Métallique rigide	15,8 m (52 pi.)	13,4 m (44 pi.)
1	Métallique rigide	13,4 m (44 pi.)	11,0 m (36 pi.)
2	Métallique rigide	11,0 m (36 pi.)	18,5 m (28 pi.)
3	Métallique rigide	8,2 m (27 pi.)	6,4 m (21 pi.)
4	Métallique rigide	6,1 m (20 pi.)	4,3 m (14 pi.)

Le tableau des systèmes d'évacuation indique les critères d'évacuation qui vous aideront à obtenir une performance de séchage idéale.

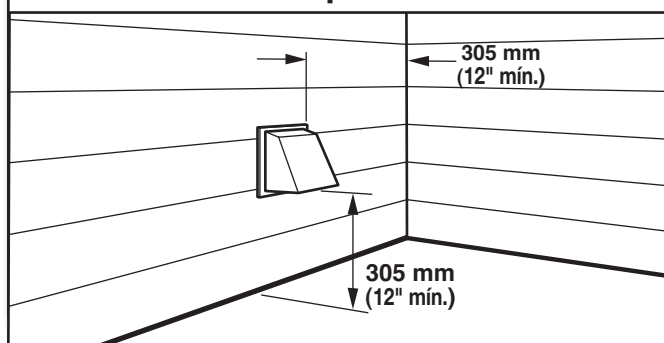
REMARQUE : Les installations d'évacuation par le bas comportent un changement de direction à 90° à l'intérieur du sèche-linge. Pour établir la longueur maximale du conduit d'évacuation, ajouter un changement de direction à 90° au tableau.

Pour une installation faite avec des conduits rectangulaires de 51 mm x 152 mm (2 po x 6 po) et comportant 2 coudes et un clapet de décharge de 64 mm (2-1/2 po), la longueur maximale de conduit est 2,4 m (8 pi.).

Pour les systèmes d'évacuation non illustrés dans le tableau de spécifications des conduits (notamment les raccords multiples, les plénums, et les ventilateurs motorisés), voir dans le Manuel d'entretien Whirlpool la section "Evacuation des sèche-linge Whirlpool", disponible chez votre revendeur de pièces Whirlpool.

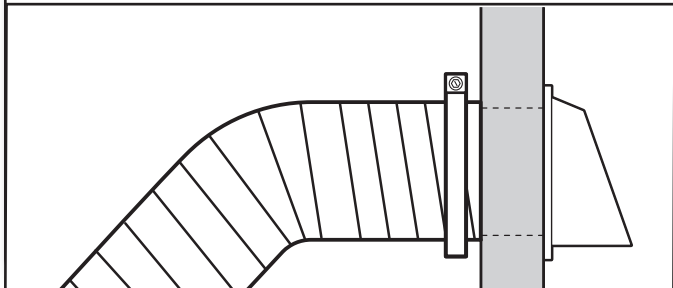
INSTALLATION DU CIRCUIT D'EVACUATION

1. Installer le clapet d'évacuation



Installer le clapet d'évacuation et utiliser un composé de calfeutrage pour calfeutrer le côté extérieur de l'ouverture murale autour du clapet d'évacuation.

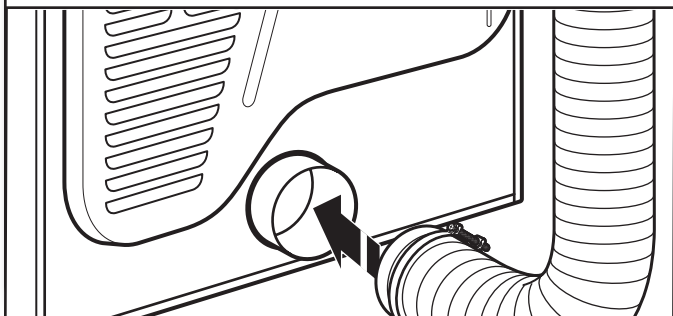
2. Raccordement du conduit d'évacuation au clapet



Le conduit doit être placé par dessus le clapet d'évacuation. Fixer ensemble le conduit et le clapet avec une bride de 102 mm (4"). Acheminer le conduit jusqu'à l'emplacement du sèche-linge en utilisant le chemin le plus rectiligne possible. Éviter les changements de direction à 90°. Utiliser des brides pour sceller tous les joints. Ne pas utiliser de ruban adhésif pour conduit, de vis ou autres dispositifs de fixation qui se prolongeraient à l'intérieur du conduit pour fixer le conduit d'évacuation; ceux-ci pourraient retenir la charpie.

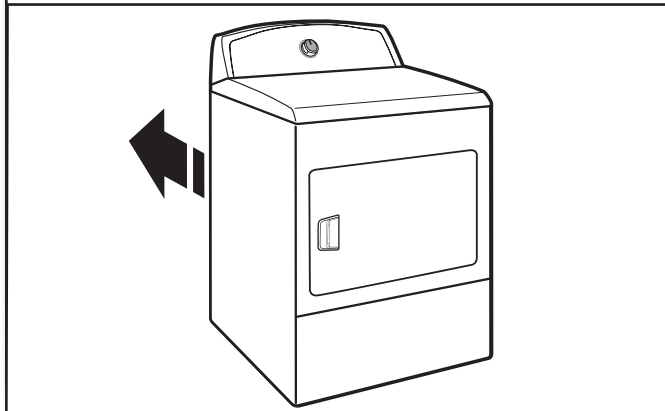
RACCORDEMENT DU CONDUIT D'EVACUATION

1. Raccorder le conduit d'évacuation au clapet d'évacuation



A l'aide d'une bride de serrage de 102 mm (4"), relier le conduit d'évacuation à la bouche d'évacuation du sèche-linge. Si on utilise le conduit d'évacuation existant, s'assurer qu'il est propre. Le conduit d'évacuation du sèche-linge doit être fixé par-dessus la bouche d'évacuation du sèche-linge, et à l'intérieur du clapet d'évacuation. Vérifier que le conduit d'évacuation est fixé au clapet d'évacuation à l'aide d'une bride de serrage de 102 mm (4").

2. Placer le sèche-linge à son emplacement final



Placer le sèche-linge à son emplacement final. Éviter d'écraser ou de déformer le conduit d'évacuation. Une fois le sèche-linge en place, retirer le carton sous le sèche-linge.

RÉGLAGE DE L'APLOMB DU SECHE-LINGE

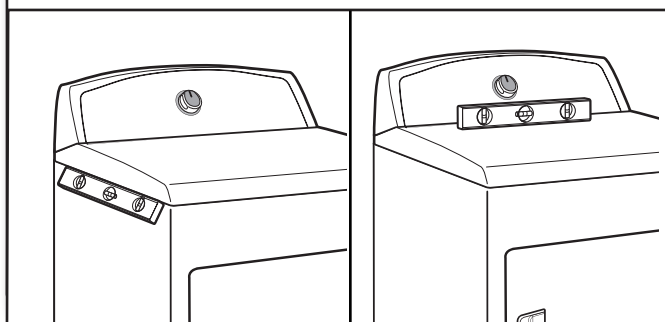
⚠ AVERTISSEMENT

Risque du poids excessif

Utiliser deux ou plus de personnes pour déplacer et installer la sècheuse.

Le non-respect de cette instruction peut causer une blessure au dos ou d'autre blessure.

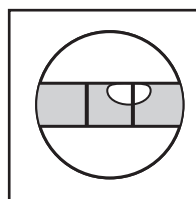
1. Réglage de l'aplomb du sèche-linge



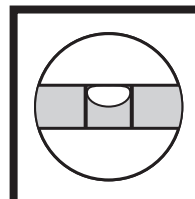
Vérifier l'aplomb du sèche-linge dans le sens transversal. Répéter l'opération dans le sens avant-arrière.

REMARQUE : Le sèche-linge doit être d'aplomb pour que le système de détection d'humidité fonctionne correctement.

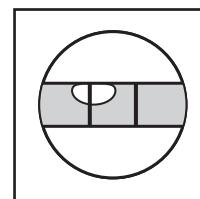
Si les pieds ne sont pas assez longs pour obtenir un aplomb correct du sèche-linge, commander un Ensemble de pieds d'extension pour sèche-linge, pièce n° 279810 (deux pieds par ensemble), chez un revendeur.



Pas d'aplomb

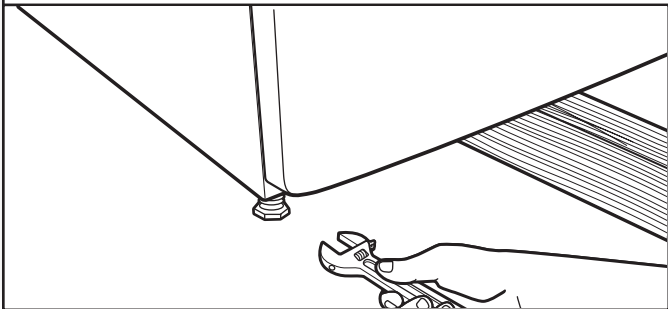


D'APLOMB



Pas d'aplomb

2. Réglage des pieds de nivellement



Si le sèche-linge n'est pas d'aplomb, le soulever à l'aide d'une cale en bois, régler les pieds vers le haut ou vers le bas à l'aide d'une clé et contrôler de nouveau l'aplomb. Une fois que les pieds de nivellement sont d'aplomb, s'assurer que les quatre pieds sont en contact ferme avec le plancher.

ACHEVER L'INSTALLATION - LISTE DE VERIFICATION

- Vérifier que toutes les pièces sont maintenant installées. S'il reste une pièce, passer en revue les différentes étapes pour découvrir laquelle aurait été oubliée.
- Vérifier la présence de tous les outils.
- Jeter/recycler tous les matériaux d'emballage.
- Vérifier l'emplacement définitif du sèche-linge. S'assurer que le conduit d'évacuation n'est pas écrasé ou déformé.
- Pour une installation avec cordon d'alimentation électrique, brancher dans une prise reliée à la terre. Pour une installation à raccordement direct, mettre l'appareil sous tension.
- Vérifier que le sèche-linge est d'aplomb. Voir "Réglage de l'aplomb du sèche-linge".
- Ôter la pellicule protectrice de la console et tout ruban adhésif resté sur le sèche-linge.
- Essuyer soigneusement l'intérieur du tambour du sèche-linge avec un chiffon humide pour éliminer toute trace de poussière.
- Lire la section "Utilisation du sèche-linge" dans le "Guide d'utilisation et d'entretien".
- Régler le sèche-linge pour un programme de séchage complet (pas le programme de séchage à l'air) de 20 minutes et mettre le sèche-linge en marche.

Si le sèche-linge ne démarre pas, vérifier ce qui suit :

- Les commandes sont réglées à la position de marche ou sur "ON" (marche)
- Le bouton Start (mise en marche) a été enfoncé fermement.
- Le sèche-linge est branché dans une prise reliée à la terre et/ou l'alimentation électrique est connectée.
- Le fusible du domicile est intact et serré; le disjoncteur n'est pas déclenché.
- La porte du sèche-linge est fermée.

- Après 5 minutes de fonctionnement, ouvrir la porte du sèche-linge et déterminer si l'on détecte de la chaleur. Si de la chaleur est détectée, annuler le programme et fermer la porte.

Si le sèche-linge n'est pas chaud à l'intérieur, éteindre le sèche-linge et vérifier ce qui suit :

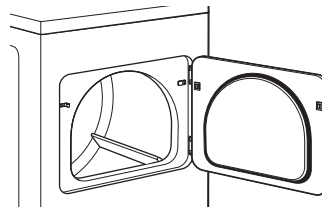
- Il peut y avoir 2 fusibles ou disjoncteurs domestiques distincts pour le sèche-linge. Vérifier que les deux fusibles sont intacts et bien en place ou que les deux disjoncteurs ne se sont pas déclenchés. S'il n'y a toujours pas de chaleur, contacter un technicien qualifié.

REMARQUE : Il est possible que le sèche-linge dégage une certaine odeur lorsqu'il chauffe pour la première fois. Cette odeur est normale lorsque l'élément chauffant est utilisé pour la première fois. L'odeur disparaîtra.

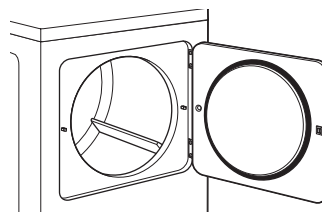
INVERSION DE LA PORTE (FACULTATIF)

**(MODELES AVEC PORTES À OUVERTURE
LATÉRALE UNIQUEMENT)**

Si la porte correspond à la porte à grande ouverture latérale de 29", suivre les étapes 1 à 6.



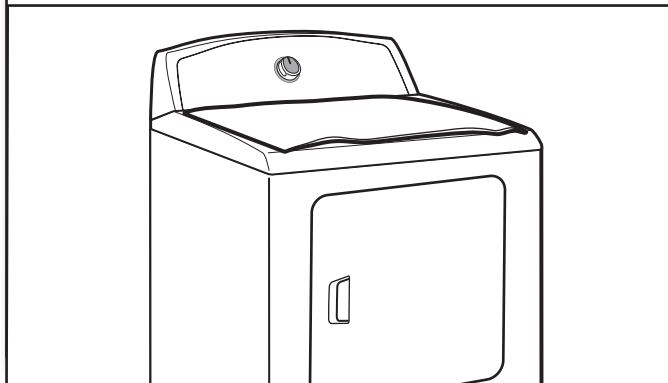
Si la porte correspond à la porte à très grande ouverture latérale de 29", suivre les étapes 1 à 13.



REMARQUE: Un tournevis aimanté serait utile.

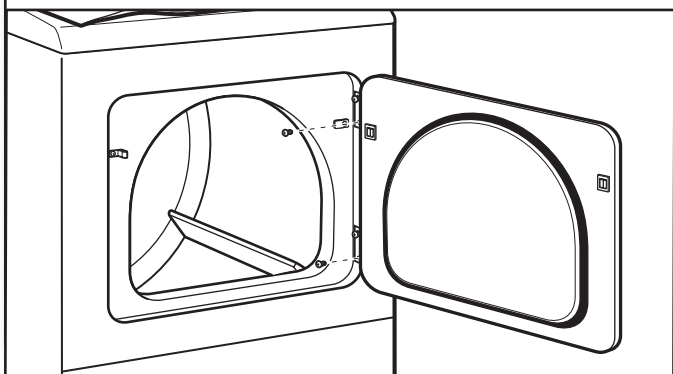
Porte à grande ouverture latérale

1. Placer une serviette sur le dessus du sèche-linge



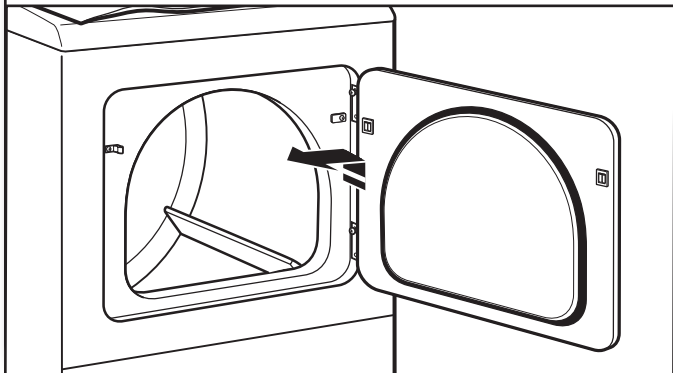
Placer une serviette douce sur le dessus du sèche-linge ou du plan de travail pour éviter d'endommager la surface.

2. Retirer la vis inférieures



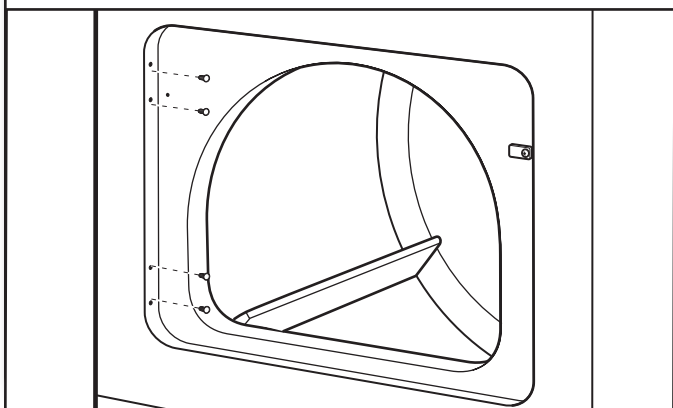
Ouvrir la porte du sèche-linge. Ôter les vis inférieures du côté charnière de la caisse du sèche-linge. Desserrer (ne pas retirer) les vis supérieures du côté charnière de la caisse du sèche-linge.

3. Soulever la porte pour la dégager des vis supérieures



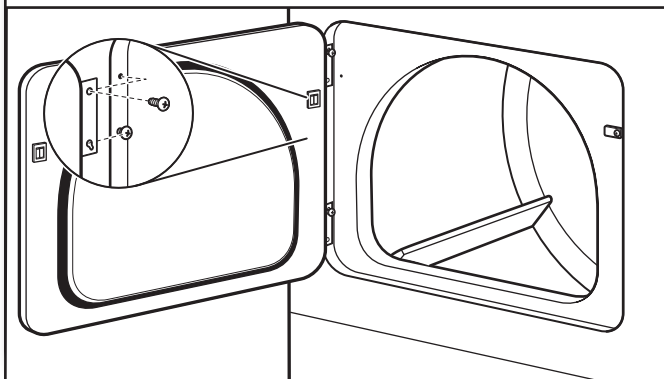
Soulever la porte jusqu'à ce que les vis supérieures dans la caisse se trouvent dans la partie large de l'encoche de la charnière. Tirer la porte vers l'avant pour la dégager des vis. Placer la porte sur le sèche-linge. Retirer les vis supérieures de la caisse du sèche-linge.

4. Retirer les bouchons d'obturation de charnière et les transférer



Utiliser un petit tournevis à lame plate pour retirer avec précaution les 4 bouchons d'obturation du côté gauche de la caisse du sèche-linge. Insérer les bouchons d'obturation dans les trous de charnière, du côté opposé de la caisse du sèche-linge.

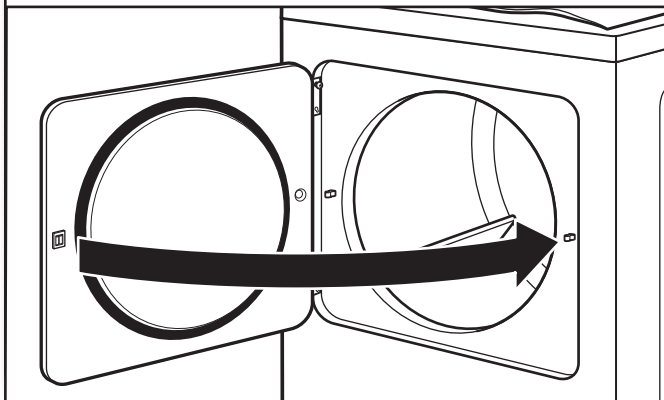
5. Insérer les vis dans les trous de charnière de la caisse du sèche-linge



REMARQUE: Il faudra peut-être deux personnes pour réinstaller la porte.

Insérer les vis dans les trous inférieurs du côté gauche de la caisse du sèche-linge. Serrer les vis à moitié. Positionner la porte de façon à ce que le côté large de l'encoche de la charnière de porte se trouve au-dessus des vis. Faire glisser la porte vers le haut de façon à ce que les vis se trouvent au fond des encoches. Resserrer les vis. Insérer les vis supérieures dans les charnières et les serrer.

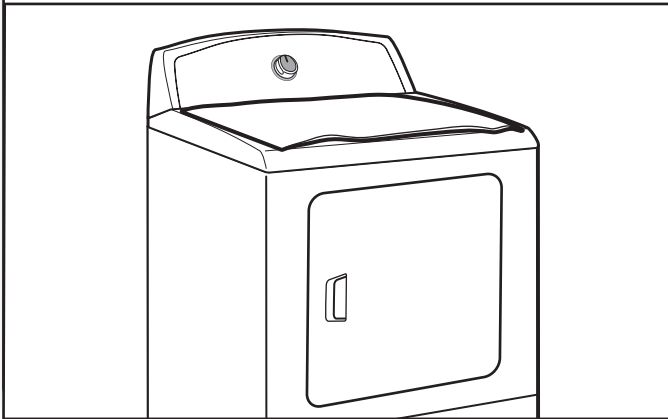
6. Contrôler l'alignement de la gâche de la porte



Fermer la porte et vérifier que la gâche de la porte est alignée avec le pignon de retenue de la porte. Au besoin, faire glisser le pignon de retenue de la porte vers la gauche ou vers la droite à l'intérieur de l'encoche pour régler l'alignement.

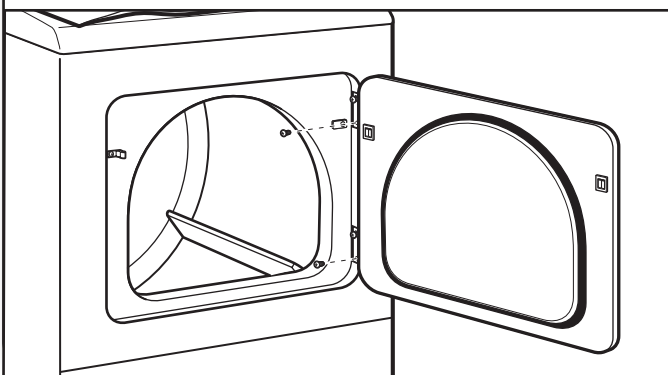
Porte à très grande ouverture latérale

1. Placer une serviette sur le dessus du sèche-linge



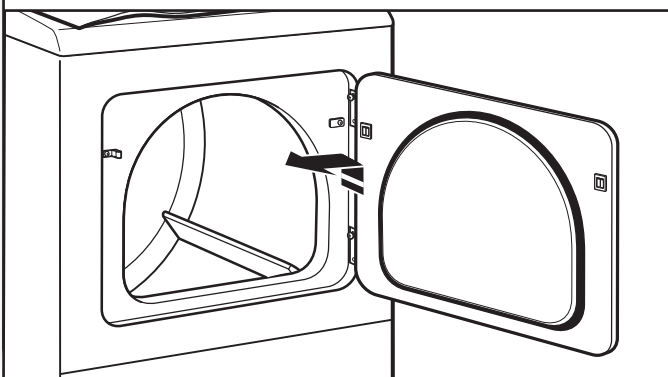
Placer une serviette douce sur le dessus de la sècheuse ou pour éviter d'endommager la surface.

2. Retirer la vis inférieures



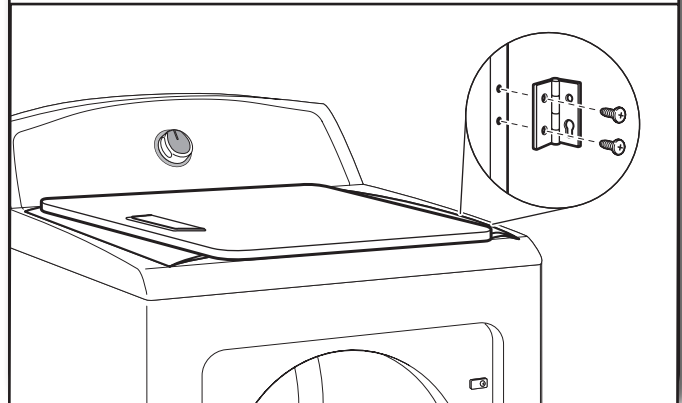
Ouvrir la porte du sèche-linge. Ôter les vis inférieures du côté charnière de la caisse du sèche-linge. Desserrer (ne pas retirer) les vis supérieures du côté charnière de la caisse du sèche-linge.

3. Soulever la porte pour la dégager des vis supérieures



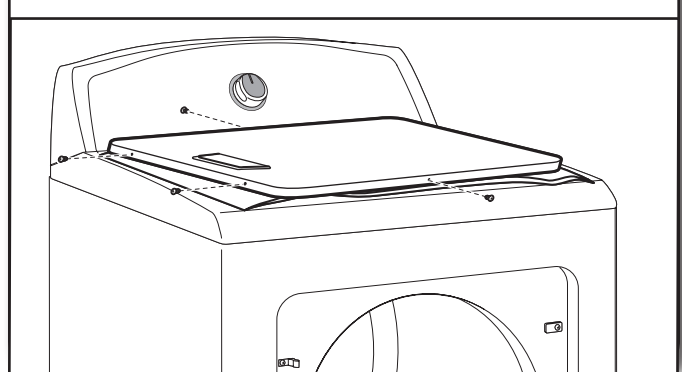
Soulever la porte jusqu'à ce que les vis supérieures situées dans la caisse du sèche-linge se trouvent dans la partie évasée de l'encoche de charnière. Tirer la porte vers l'avant pour la dégager des vis. Placer la porte (côté poignée vers le haut) sur le sèche-linge. Retirer les vis supérieures de la caisse du sèche-linge.

4. Ôter les vis des charnières



Retirer les vis fixant les charnières à la porte.

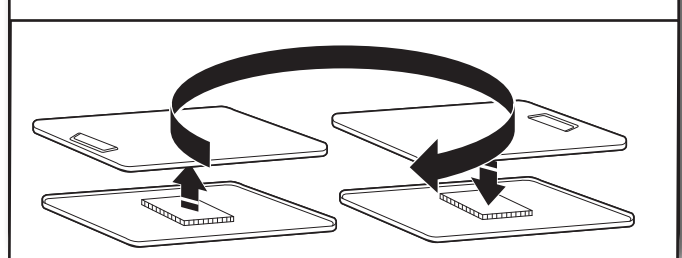
5. Ôter les vis du panneau de porte



Retirer les vis du sommet, du bas et du côté de la porte (4 vis). Conserver séparément les vis de porte et les vis de charnière, car elles sont de tailles différentes. Tout en maintenant la porte sur la serviette et sur le sèche-linge, saisir les côtés de la porte externe et la soulever pour la séparer de la porte interne.

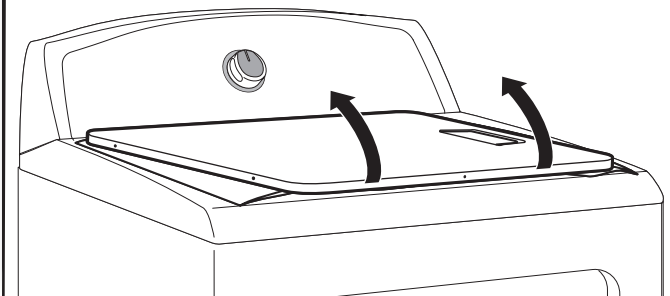
REMARQUE : Ne pas utiliser de couteau à mastic ou de tournevis pour séparer les portes. Ne pas tirer sur le joint ou les pitons de retenue en plastique de la porte.

6. Faire pivoter la porte externe



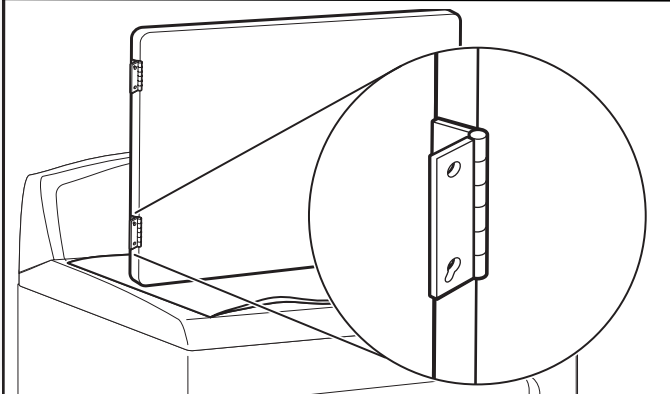
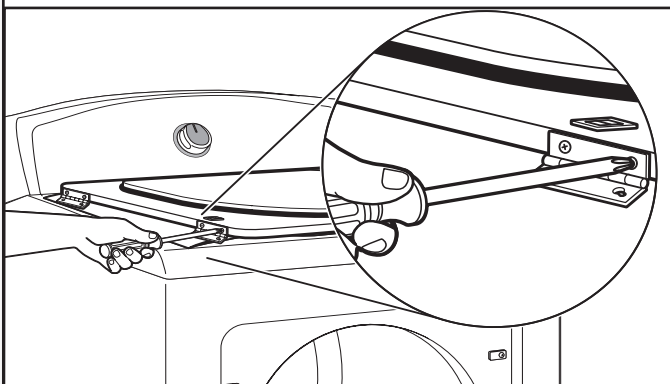
Saisir la porte externe et la faire pivoter de 180° puis la replacer sur la porte interne. Veiller à maintenir la cale d'espacement en carton centrée entre les portes. Fixer à nouveau le panneau de porte à la porte interne de façon à ce que la poignée se trouve du côté où les vis viennent d'être retirées. Insérer les 4 vis de porte.

7. Retourner la porte



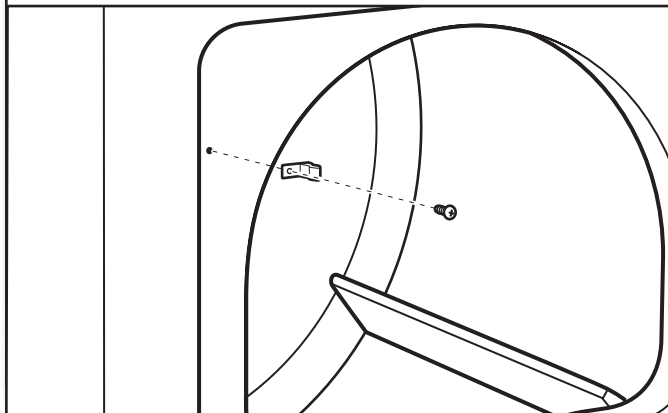
Retourner la porte de façon à ce que la poignée soit orientée vers le bas.

8. Fixer les charnières de porte



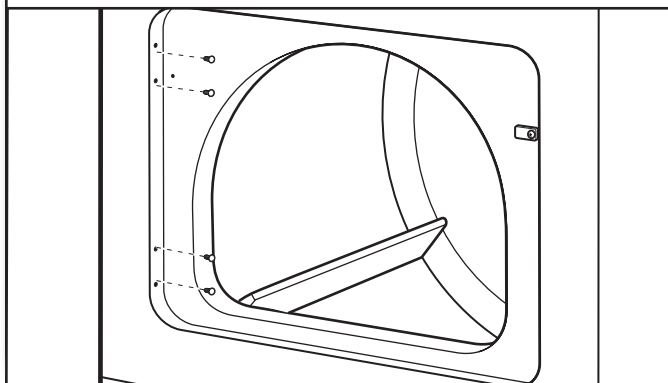
Réinstaller les charnières de porte sur la porte du sèche-linge de façon à ce que le trou le plus gros se trouve dans la partie inférieure de la charnière.

9. Retirer la gâche de porte



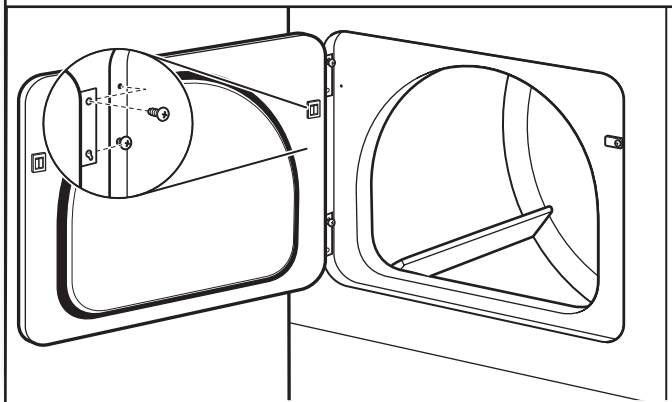
Détacher la gâche de porte de la caisse du sèche-linge et la mettre de côté.

10. Retirer les bouchons d'obturation de charnière et les transférer



Utiliser un petit tournevis à lame plate pour retirer avec précaution les 4 bouchons d'obturation du côté gauche de la caisse du sèche-linge. Transférer les bouchons d'obturation dans les trous de charnière du côté opposé de la caisse du sèche-linge.

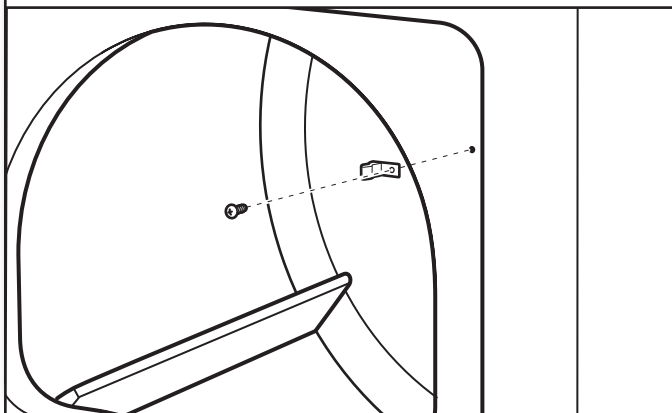
11. Insérer les vis dans les trous de charnière de la caisse du sèche-linge



NOTE: Il faudra peut-être deux personnes pour réinstaller la porte.

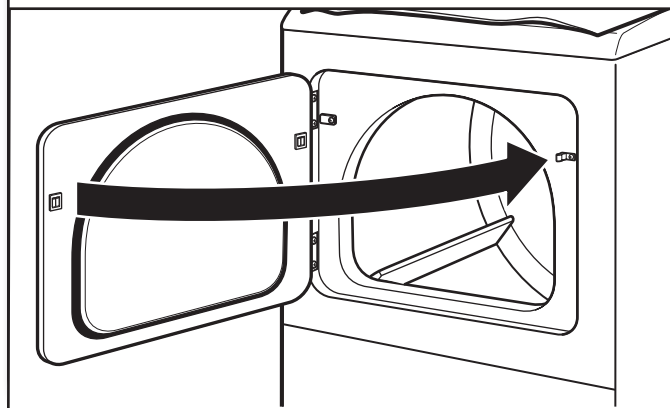
Insérer les vis dans les trous inférieurs du côté gauche de la caisse du sèche-linge. Serrer les vis à moitié. Positionner la porte de façon à ce que le côté large de l'encoche de la charnière de porte se trouve au-dessus des vis. Faire glisser la porte vers le haut de façon à ce que les vis se trouvent au fond des encoches. Resserrer les vis. Insérer les vis supérieures dans les charnières et les serrer.

12. Retirer le bouchon d'obturation de la gâche de porte



Retirer le bouchon d'obturation de la gâche de porte. Insérer la gâche de la porte retirée à l'étape 9 dans le trou et la fixer avec une vis. Insérer le bouchon d'obturation de la gâche de porte dans le trou de gâche de porte d'origine, puis fixer avec une vis.

13. Contrôler l'alignement de la gâche de la porte



Fermer la porte et vérifier que la gâche de la porte est alignée avec le pignon de retenue de la porte. Au besoin, faire glisser le pignon de retenue de la porte vers la gauche ou vers la droite à l'intérieur de l'encoche pour régler l'alignement.

DEPANNAGE

Pour éventuellement éviter le coût d'une visite de service, consulter le "Guide d'utilisation et d'entretien".

SEGURIDAD DE LA SECADORA

Su seguridad y la seguridad de los demás es muy importante.

Hemos incluido muchos mensajes importantes de seguridad en este manual y en su electrodoméstico. Lea y obedezca siempre todos los mensajes de seguridad.



Este es el símbolo de advertencia de seguridad.

Este símbolo le llama la atención sobre peligros potenciales que pueden ocasionar la muerte o una lesión a usted y a los demás.

Todos los mensajes de seguridad irán a continuación del símbolo de advertencia de seguridad y de la palabra "PELIGRO" o "ADVERTENCIA". Estas palabras significan:

 **PELIGRO**

Si no sigue las instrucciones de inmediato, usted puede morir o sufrir una lesión grave.

 **ADVERTENCIA**

Si no sigue las instrucciones, usted puede morir o sufrir una lesión grave.

Todos los mensajes de seguridad le dirán el peligro potencial, le dirán cómo reducir las posibilidades de sufrir una lesión y lo que puede suceder si no se siguen las instrucciones.



ADVERTENCIA - "Riesgo de incendio"

- La instalación de la secadora de ropa debe estar a cargo de un instalador competente.
- Instale la secadora de ropa según las instrucciones del fabricante y los códigos locales.
- No instale una secadora de ropa con materiales de ventilación de plástico flexible o un conducto de metal flexible (de hoja de metal). Si se usa un conducto de metal flexible, éste deberá ser de un tipo específico, que esté identificado por el fabricante de electrodomésticos como apto para ser usado con secadoras de ropa. Es sabido que los materiales de ventilación flexible se derrumban, se aplastan con facilidad y atrapan pelusa. Estas condiciones obstruirán el flujo de aire de la secadora de ropa y aumentarán el riesgo de incendio.
- Para reducir el riesgo de lesiones severas o la muerte, siga todas las instrucciones de instalación.
- Guarde estas instrucciones.

INSTRUCCIONES IMPORTANTES DE SEGURIDAD

ADVERTENCIA: Para reducir el riesgo de incendio, choque eléctrico o lesiones a personas al usar su lavadora, siga las precauciones básicas, incluyendo las siguientes:

- Lea todas las instrucciones antes de usar la lavadora.
- No lave artículos que hayan sido previamente limpiados, lavados, remojados o humedecidos con gasolina, solventes para lavar en seco, u otras sustancias inflamables o explosivas ya que éstas emanan vapores que podrían encenderse o causar una explosión.
- No agregue gasolina, solventes para lavar en seco, u otras sustancias inflamables o explosivas al agua de lavado. Estas sustancias emanan vapores que podrían encenderse o causar una explosión.
- En ciertas condiciones, puede generarse gas hidrógeno en un sistema de agua caliente que no se haya usado por dos semanas o un período mayor. **EL GAS HIDRÓGENO ES EXPLOSIVO.** Si no se ha usado el agua caliente durante dicho período, antes de usar la lavadora, abra todos los grifos de agua caliente y deje que corra el agua por varios minutos. Esto liberará todo el gas hidrógeno que se haya acumulado. Debido a la inflamabilidad de dicho gas, no fume ni use una llama abierta durante este lapso.
- No permita que los niños jueguen encima o dentro de la lavadora. Es necesario una supervisión cuidadosa de los niños toda vez que se use la lavadora cerca de ellos.
- El aparato no ha sido diseñado para ser usado sin supervisión por niños pequeños o personas enfermas.
- Antes de poner la lavadora fuera de servicio o desecharla, quítele la puerta o la tapa.
- No introduzca las manos en la lavadora si el tambor, la cubeta, o el agitador están funcionando.
- No instale ni almacene esta lavadora donde pudiese estar sometida a la intemperie.
- No trate de forzar los controles.
- No repare ni cambie pieza alguna de la lavadora ni intente realizar tarea alguna de servicio técnico, excepto cuando así se le indique específicamente en este manual de uso y cuidado o en instrucciones de reparación para el usuario publicadas, que usted entienda y para cuya ejecución cuente con la habilidad necesaria.
- Para obtener información respecto a los requisitos de conexión a tierra, refiérase a las Instrucciones de instalación.
- Si se ha dañado el cable de suministro de energía, deberá ser reemplazado por el fabricante, el agente de servicio o una persona similarmente calificada con el fin de evitar riesgos.

GUARDE ESTAS INSTRUCCIONES

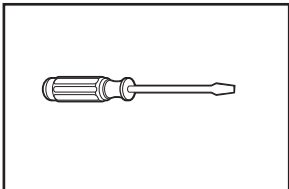
PARA SU SEGURIDAD

1. No use ni guarde gasolina ni otros materiales inflamables dentro de este aparato ni cerca del mismo.
2. No rocíe con aerosoles en la proximidad de este aparato mientras esté en funcionamiento.
3. No modifique este aparato.

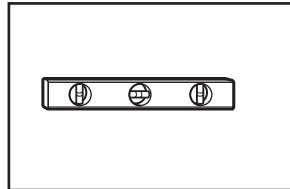
REQUISITOS DE INSTALACIÓN

Herramientas y piezas:

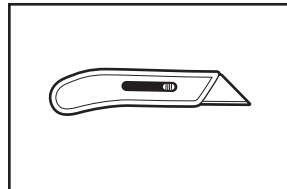
Reúna todas las herramientas y piezas necesarias antes de comenzar la instalación.



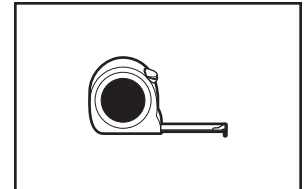
Destornillador de hoja plana



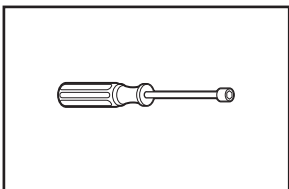
Nivel



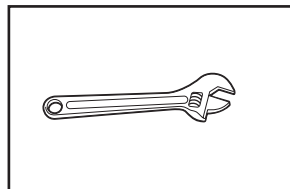
Cuchillo para uso general



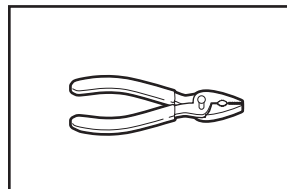
Cinta de medir



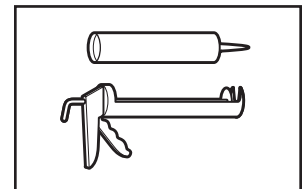
Llave para tuercas de 6,2 mm (1/4")



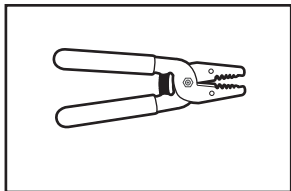
Llave ajustable que se abra a 25 mm (1") o llave de cubo de cabeza hexagonal



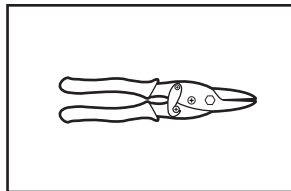
Pinzas



Pistola y masilla para calafateo (para instalar el nuevo ducto de escape)

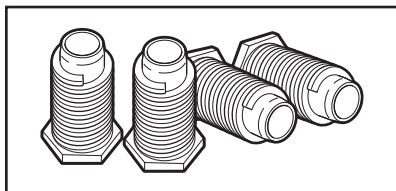


Desferrador de alambre
(instalaciones de
cableado directo)



Tijeras de lata
(instalaciones del
nuevo ducto de escape)

Piezas suministradas (todos los modelos):



Patas niveladoras (4)

El paquete de piezas se encuentra en el tambor de la secadora. Verifique que estén todas las piezas.

Piezas necesarias (no se proveen con la secadora):

- Cable y enchufe eléctrico
- Abrazaderas para ducto
- Codos para ducto y ducto

Si emplea un cable de suministro eléctrico:

Use un juego de cable de suministro de energía que esté en la lista de UL, para ser usado con secadoras. El juego deberá incluir:

- Un cable de suministro de energía de 30 amperios que esté en la lista de UL, de 240 voltios como mínimo. El cable deberá ser del tipo SRD o SRDT y tener por lo menos 4 pies (1,22 m) de largo. Los alambres que lo conectan a la secadora deben acabar en terminales de anillo o de horquilla con los extremos hacia arriba.
- Un protector de cables que esté en la lista de UL.

Podrá necesitar piezas adicionales según su instalación. Verifique los códigos locales. Verifique el suministro eléctrico y la ventilación existentes. Lea "Requisitos eléctricos" y "Requisitos de ventilación" antes de comprar las piezas.

REQUISITOS DE UBICACIÓN

! ADVERTENCIA



Peligro de explosión

Mantenga los materiales y vapores inflamables, tales como la gasolina, alejados de la secadora.

Coloque la secadora a un mínimo de 460 mm (18 pulgadas) sobre el piso para la instalación en un garaje.

No seguir estas instrucciones puede ocasionar la muerte, explosión o incendio.

Seleccione la ubicación adecuada para su secadora, para mejorar el desempeño y minimizar el ruido. Verifique los requisitos de los códigos. Algunos códigos limitan o no permiten la instalación de la secadora en garajes, clósets, casas rodantes o dormitorios. Póngase en contacto con el inspector de construcciones de su localidad.

Usted necesitará:

- Una ubicación que permita una instalación adecuada del ducto de escape. La secadora deberá ventilarse al exterior. Vea "Requisitos de ventilación".
- Un piso que soporte el peso de la secadora de 200 lb. (90,7 kg). Tenga en cuenta también el peso de otro electrodoméstico que le acompañe
- Un piso nivelado con un declive máximo de 25 mm (1") debajo de la secadora completa. Si el declive es mayor que 25 mm (1"), instale el Juego de extensión de patas de la secadora. Si la secadora no está nivelada, la ropa quizás no rote adecuadamente y los ciclos del sensor automático posiblemente no funcionen debidamente.
- Es importante cerciorarse de que la habitación tenga un suministro de aire adecuado para el funcionamiento de secado. El funcionamiento de este aparato puede afectar el funcionamiento de otros aparatos que obtienen el suministro de aire para la combustión segura desde la misma habitación.
- Deberá proveerse una ventilación adecuada para evitar el contraflujo de gases dentro de la habitación por parte de aparatos que quemen otros productos combustibles, incluyendo fuegos abiertos. Si tiene dudas, consulte con los fabricantes de electrodomésticos.

IMPORTANT: No debe instalarse ni guardarse la secadora en un área en donde pueda estar expuesta al agua y/o a la intemperie. No haga funcionar su secadora en temperaturas inferiores a 45° (7°C). A temperaturas inferiores, es posible que la secadora no se apague al final de un ciclo automático. Los tiempos de secado pueden prolongarse.

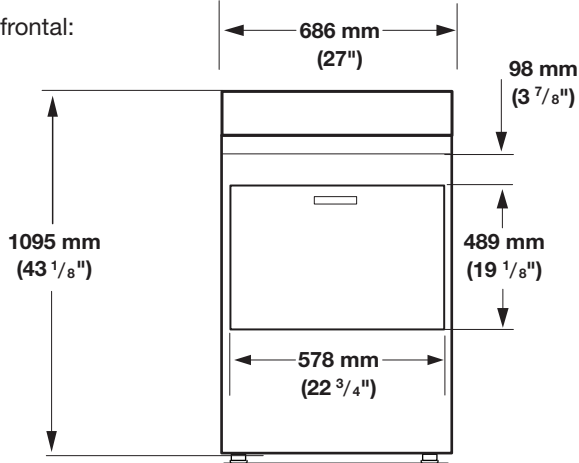
La instalación correcta es su responsabilidad.

Espacios libres para la instalación:

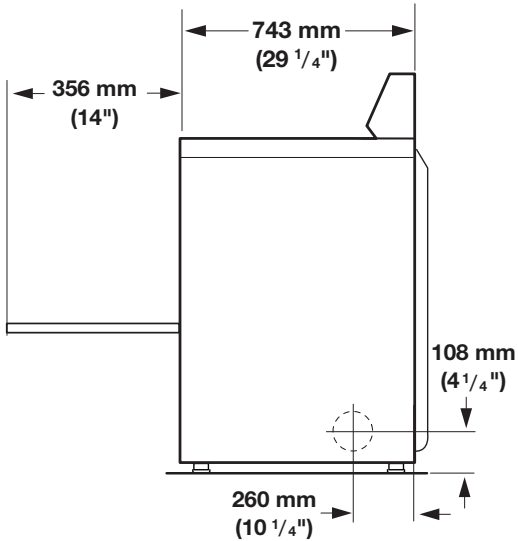
Considere dejar espacio adicional para la instalación y el servicio técnico, así como para electrodomésticos que le acompañen y espacios libres para las molduras de la pared, de la puerta y del piso. El espacio debe ser lo suficientemente grande para permitir que la puerta se abra por completo. Agregue espacio en todos los lados de la secadora para reducir la transferencia de ruido. Si se instala una puerta de clóset o tipo persiana, es necesario que tenga aberturas para el aire en la parte superior e inferior de la puerta.

Dimensiones de la secadora

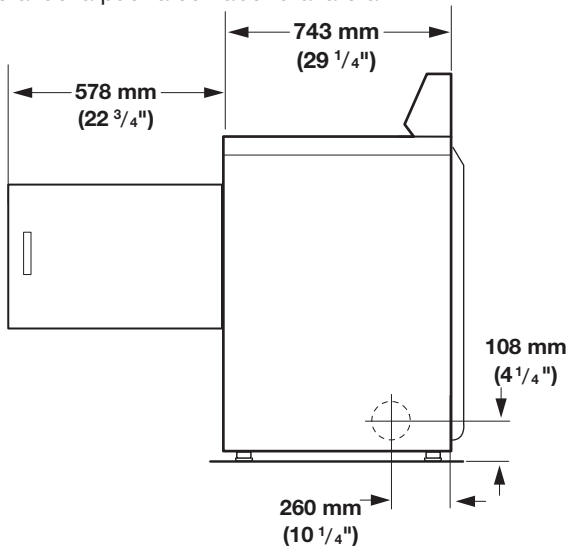
Vista frontal:



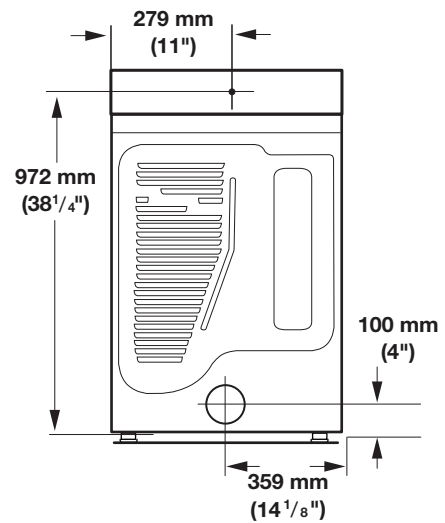
Vista lateral:



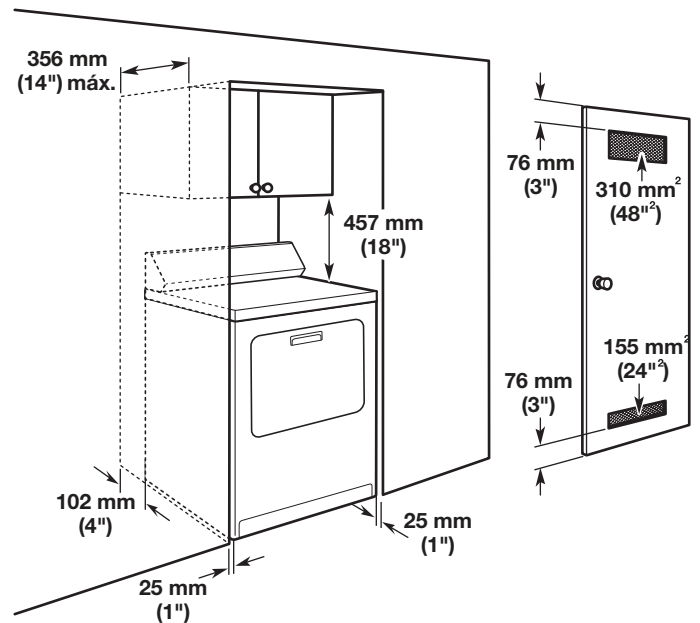
Vista lateral de la puerta con abertura lateral:



Vista posterior:



Espacio para la instalación en un lugar empotrado o en un clóset



Esta secadora podrá instalarse en un área empotrada o en un clóset. Si se ha instalado la puerta del clóset, se requieren aberturas mínimas de ventilación sin obstrucciones en la parte superior e inferior de la puerta. Para las instalaciones en áreas empotradas o clósets, se pueden encontrar los espacios mínimos en la etiqueta de la serie de la secadora.

- Las dimensiones que se muestran son para los espacios mínimos requeridos. Considere el permitir espacio adicional para facilitar la instalación, el servicio técnico y el cumplimiento de los códigos y ordenanzas locales.
- Deberá considerarse el espacio adicional para los aparatos que le acompañen, así como también el espacio para las molduras de las paredes, de las puertas y del piso. Agregue un espacio adicional de 25 mm (1") en todos los lados de la secadora para reducir la transferencia de ruido.
- No debe instalarse esta secadora detrás de una puerta que se pueda cerrar con llave, una puerta corrediza o una puerta con bisagra del lado opuesto al de la secadora.
- La secadora deberá ventilarse al exterior.
- No se puede instalar otro electrodoméstico que usa combustible en el mismo clóset en que se encuentra la secadora.

REQUISITOS ELÉCTRICOS

⚠ ADVERTENCIA



Peligro de descarga eléctrica

Conecte este aparato con conexión a tierra.

No use un cable eléctrico de extensión.

No seguir estas instrucciones puede ocasionar la muerte, incendio o descarga eléctrica.

Esta secadora se suministra sin cable eléctrico ni enchufe.

Usted es responsable de:

- Ponerse en contacto con un instalador eléctrico calificado.
- Asegurarse de que la conexión eléctrica sea adecuada y de conformidad con todos los códigos y ordenanzas locales.
- Proveer el suministro eléctrico requerido monofásico, de 240 voltios, 60 Hz, CA solamente en un circuito separado de 30 amperios, protegido con fusibles en ambos lados de la línea. Se recomienda un fusible retardador o un cortacircuitos. Conéctelo a un circuito derivado individual. No tenga un fusible en el circuito neutro o de conexión a tierra.
- No use un cable eléctrico de extensión.
- Si los códigos lo permiten y se emplea un alambre de conexión a tierra separado, se recomienda que un electricista competente determine si la trayectoria de conexión a tierra es adecuada.

Conexión eléctrica

Para instalar su secadora adecuadamente, usted debe determinar el tipo de conexión eléctrica que va a usar y seguir las instrucciones que aquí se proveen para el caso.

Si emplea un cable de suministro eléctrico:

- Use un juego de cable de suministro de energía que esté en la lista de UL, para ser usado con secadoras de ropa. El juego deberá incluir:
- Un cable de suministro de energía de 30 amperios que esté en la lista de UL, de 240 voltios como mínimo. El cable deberá ser del tipo SRD o SRDT y tener por lo menos 1,22 m (4 pies) de largo. Los alambres que lo conectan a la secadora deben acabar en terminales de anillo o de horquilla con los extremos hacia arriba.

- Un protector de cables que esté en la lista de UL.

Si hace la conexión con cableado directo:

El cable de suministro eléctrico debe coincidir con el suministro eléctrico y ser:

- Cable blindado flexible o cable de cobre forrado no metálico (con alambre de puesta a tierra), cubierto con un conducto metálico flexible. Todos los alambres conductores de corriente deben estar aislados.
- Alambre de cobre sólido de calibre 10 (no utilice aluminio).
- Tener por lo menos 1,52 m (5 pies) de longitud.

INSTRUCCIONES DE PUESTA A TIERRA

- Para la conexión de una secadora mediante cable eléctrico conectado a tierra:

Esta secadora debe estar conectada a tierra. En el caso de funcionamiento defectuoso o avería, la conexión a tierra reducirá el riesgo de descarga eléctrica al proporcionar una vía de menor resistencia para la corriente eléctrica. La clavija del cable de suministro eléctrico debe conectarse a un enchufe apropiado, que esté debidamente instalado y conectado a tierra de acuerdo con todos los códigos y ordenanzas locales.

ADVERTENCIA: La conexión inadecuada del conductor a tierra del equipo puede provocar riesgo de descarga eléctrica. Si no está seguro de que la conexión a tierra de la secadora es la adecuada, verifíquela con un electricista o representante o personal de servicio calificado. No modifique la clavija del cable de suministro eléctrico provisto con la secadora: si no cabe en el enchufe, consulte a un electricista calificado para instalar un enchufe adecuado.

GUARDE ESTAS INSTRUCCIONES

Método de conexión a tierra recomendado

- Es su responsabilidad ponerse en contacto con un instalador eléctrico calificado para asegurarse de que la instalación eléctrica sea adecuada y de conformidad con todos los códigos y ordenanzas locales.

INSTALACIÓN DE LAS PATAS NIVELADORAS

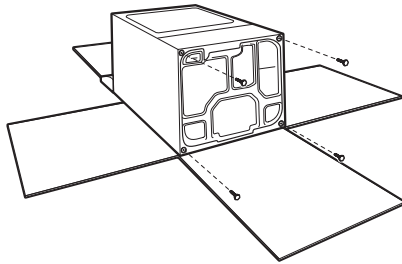
⚠️ ADVERTENCIA

Peligro de Peso Excesivo

Use dos o más personas para mover e instalar la secadora.

No seguir esta instrucción puede ocasionar una lesión en la espalda u otro tipo de lesiones.

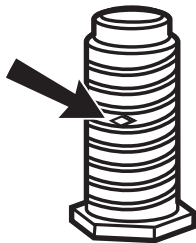
1. Prepare la secadora para las patas niveladoras



Para evitar daños en el piso, use un pedazo de cartón grande y plano de la caja de la secadora; colóquelo debajo de todo el borde posterior de la secadora. Sujete con firmeza el cuerpo de la secadora (no el panel de la consola) y coloque la secadora suavemente sobre el cartón.

2. Atornille las patas niveladoras

Marca de forma de diamante



Examine las patas niveladoras y ubique la marca en forma de diamante. Atornille las patas dentro de sus orificios a mano y luego termine de atornillar las patas con una llave de tuercas, hasta que ya no se vea la marca con forma de diamante.

Ahora coloque la secadora en posición vertical. Deslice la secadora cerca de su ubicación final. Deje suficiente espacio para la conexión eléctrica y para conectar el ducto de escape.

REQUISITOS DE VENTILACIÓN

⚠️ ADVERTENCIA



Peligro de Incendio

Use un ducto de escape de metal pesado.

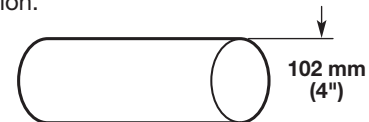
No use un ducto de escape de plástico.

No use un ducto de escape de aluminio.

No seguir estas instrucciones puede ocasionar la muerte o incendio.

ADVERTENCIA: Para reducir el riesgo de incendio, esta secadora DEBE VENTILARSE HACIA EL EXTERIOR.

IMPORTANTE: Observe todos los códigos y ordenanzas aplicables. El ducto de escape de la secadora no debe conectarse en ningún ducto de gas, chimenea, pared, techo, desván, espacio angosto o el espacio oculto de un edificio. Deberá usarse solamente un ducto de metal rígido o flexible para la ventilación.



- Sólo puede usarse un ducto de escape de metal pesado de 102 mm (4") y abrazaderas. No instale un ducto metálico cuyo diámetro sea menor de 102 mm (4").
- No utilice un ducto de escape de plástico, ni de aluminio ni ningún material que no sea metal.

Ducto de escape de metal rígido:

- Se recomienda para un mejor desempeño en el secado y para evitar que se aplaste o se tuerza.

Ducto de escape de metal flexible: (Es aceptable sólo si es accesible para la limpieza)

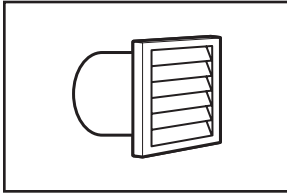
- Deberá extenderse por completo y tener soporte en la ubicación final de la secadora.
- Quite el exceso del mismo para evitar que se doble y se tuerza, lo cual podría dar lugar a una reducción del flujo de aire y a un rendimiento insuficiente.
- No instale un ducto de escape de metal flexible en paredes, techos o pisos encerrados.
- La longitud total no deberá exceder los 2,4 m (7¾ pies).

NOTA: Si se usa un sistema de ventilación existente, limpie la pelusa de toda la longitud del sistema y asegúrese de que la capota de ventilación no esté obstruida con pelusa. Reemplace los ductos de escape de plástico o de hoja de metal por ductos de metal rígido o de metal flexible. Revise el "Cuadro del sistema de ventilación" y, si es necesario, modifique el sistema de ventilación existente para lograr el mejor desempeño de secado.

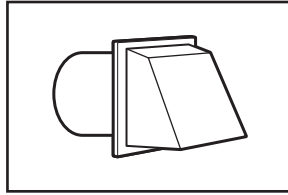
Capotas de ventilación:

- Deberán estar a por lo menos 305 mm (12") desde el piso o cualquier objeto que pueda obstruir la salida (tales como flores, rocas, arbustos o nieve).

Estilos recomendados:

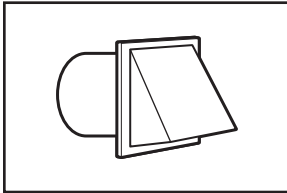


Capota tipo persiana



Capota tipo caja

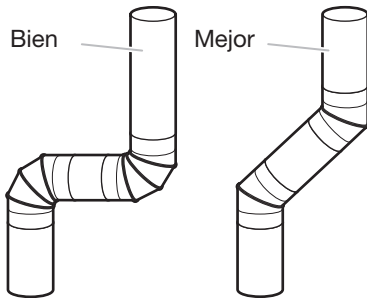
Estilo aceptable:



Capota angular

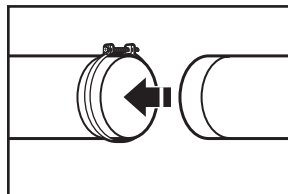
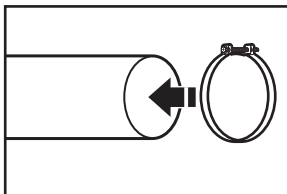
Codos:

- Los codos de 45° proveen un mejor flujo de aire que los codos de 90°.



Abrazaderas:

- Utilice abrazaderas para sellar todas las juntas.
- No debe conectarse ni asegurarse el ducto de escape con tornillos ni con ningún otro dispositivo de sujeción que se extienda hacia el interior de dicho ducto y atrape pelusa. No utilice cinta para ductos.



Los productos de ventilación se pueden comprar en su distribuidor. Para obtener más información, vea la sección "Ayuda o servicio técnico" en el "Manual de uso y cuidado".

La ventilación inadecuada puede ocasionar la acumulación de humedad y pelusa en la casa, lo cual puede dar como resultado:

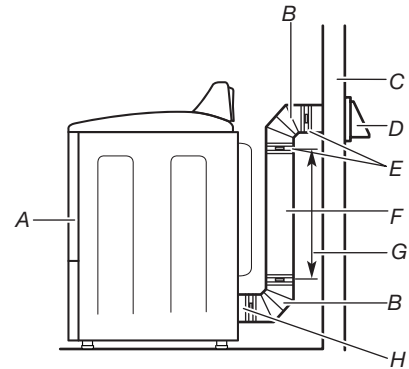
- Daños de humedad en la carpintería, muebles, pintura, empapelado, alfombras, etc.
- Problemas en la limpieza de la casa y de salud.

PLANIFICACIÓN DEL SISTEMA DE VENTILACIÓN

Al diseñar el sistema de salida, deberá asegurarse de que cualquier condensación que se forme cuando el aparato esté en funcionamiento, quedará retenida y se evaporará posteriormente o se desechará. Al seguir estas instrucciones de instalación, este requisito se cumplirá adecuadamente.

Instalaciones recomendadas de ventilación

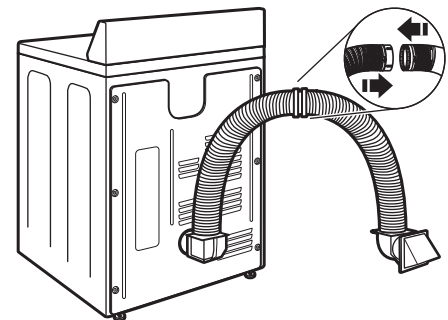
Las instalaciones típicas tienen la ventilación de la secadora en la parte posterior de la misma. Otras instalaciones son posibles.



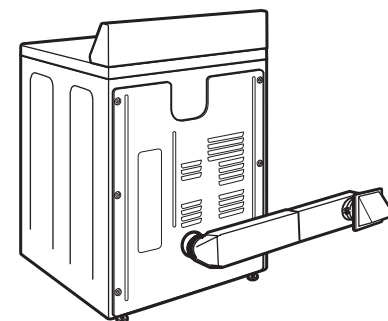
- | | |
|--------------------------|---|
| A. Secadora | F. Ducto de escape de metal rígido o flexible |
| B. Codo | G. Longitud necesaria del ducto de escape para conectar los codos |
| C. Pared | H. Salida de escape |
| D. Capota de ventilación | |
| E. Abrazaderas | |

Instalaciones alternas para espacios angostos

Los sistemas de ventilación vienen en una amplia gama. Seleccione el tipo más apropiado para su instalación. A continuación se ilustran dos tipos de instalación para espacios angostos. Consulte las instrucciones del fabricante.



Instalación por la parte superior (también está disponible con un codo de desviación)



Instalación del periscopio

Si lo prefiere, la secadora puede convertirse para ventilar el aire hacia el lado derecho, el izquierdo, o a través del fondo. Debe ponerse en contacto con su distribuidor local para hacer convertir la secadora.

Determinación de la vía del ducto de escape:

- Seleccione la vía que proporcione el trayecto más recto y directo al exterior.
- Planifique la instalación a fin de usar el menor número posible de codos y vueltas.
- Cuando use los codos o haga vueltas, deje todo el espacio que sea posible.
- Doble el ducto gradualmente para evitar torceduras.
- Use la menor cantidad posible de vueltas de 90°.

⚠ ADVERTENCIA



Peligro de Incendio

Use un ducto de escape de metal pesado.

No use un ducto de escape de plástico.

No use un ducto de escape de aluminio.

No seguir estas instrucciones puede ocasionar la muerte o incendio.

Determinación de la longitud del ducto de escape y el número de codos necesarios para obtener un óptimo rendimiento de secado:

- Use el “Cuadro del sistema de ventilación” a continuación para determinar las combinaciones aceptables de tipo de material para ducto y capota a usar.
- NOTA:** No use tendidos de ducto de escape más largos que los especificados en el “Cuadro del sistema de ventilación”. Los sistemas de ventilación más largos que los especificados:
- Acortarán la vida útil de la secadora.
 - Reducirán el rendimiento, dando lugar a tiempos de secado más largos y un aumento en el consumo de energía.

Cuadro del sistema de ventilación			
Número de codos de 90°	Tipo de ducto de escape	Capotas de ventilación tipo caja/persiana	Capotas angulares
0	Metal rígido	15,8 m (52 pies)	13,4 m (44 pies)
1	Metal rígido	13,4 m (44 pies)	11,0 m (36 pies)
2	Metal rígido	11,0 m (36 pies)	18,5 m (28 pies)
3	Metal rígido	8,2 m (27 pies)	6,4 m (21 pies)
4	Metal rígido	6,1 m (20 pies)	4,3 m (14 pies)

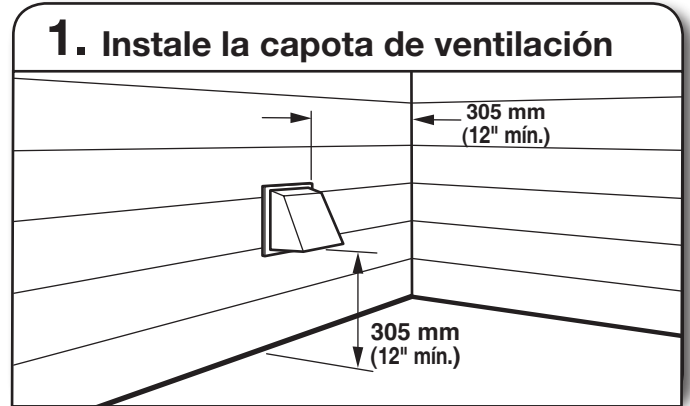
El “Cuadro del sistema de ventilación” indica los requisitos de ventilación que le ayudarán a obtener el mejor rendimiento de secado.

NOTA: Las instalaciones de ventilación laterales e inferiores tienen una vuelta de 90° dentro de la secadora. Para determinar la longitud máxima de ventilación, agregue una vuelta de 90° al cuadro.

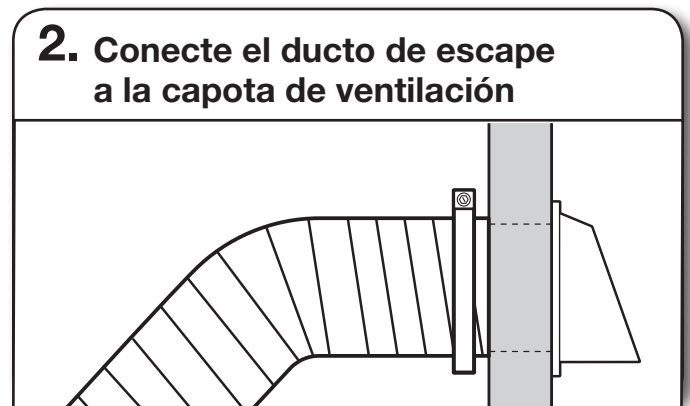
La longitud máxima, usando un ducto de escape rectangular de 51 mm x 152 mm (2" x 6") con 2 codos y una capota de ventilación de 64 mm (2½"), es 2,4 m (8 pies).

Para los sistemas de escape que no estén cubiertos en el Cuadro del sistema de ventilación (tales como conexiones de unidades múltiples, plenums y ventiladores de potencia), consulte el Manual de servicio. (Para comprar el Manual de servicio, contacte a su distribuidor local de servicio autorizado).

INSTALACIÓN DEL SISTEMA DE VENTILACIÓN



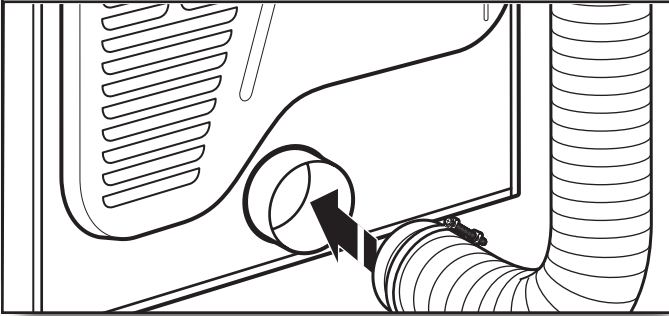
Instale la capota de ventilación y use compuesto para calafateo para sellar la abertura exterior de la pared alrededor de la capota de ventilación.



El ducto de escape debe encajar sobre la capota de ventilación. Asegure el ducto de escape a la capota de ventilación con una abrazadera de 102 mm (4"). Extienda el ducto de escape a la ubicación de la secadora usando la trayectoria más recta que sea posible. Evite giros de 90°. Utilice abrazaderas para sellar todas las juntas. Para asegurar el ducto de escape, no use cinta para ductos, tornillos ni otros dispositivos de fijación que se extiendan hacia el interior de dicho ducto, ya que pueden atrapar pelusa.

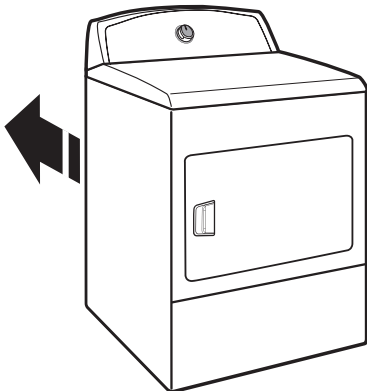
CONEXIÓN DEL DUCTO DE ESCAPE

1. Conecte el ducto de escape a la salida de escape a la salida de escape



Usando una abrazadera de 102 mm (4"), conecte el ducto de escape a la salida de aire en la secadora. Si se conecta a un ducto de escape existente, asegúrese de que el mismo esté limpio. El ducto de escape de la secadora debe encajar sobre la salida de aire de la secadora y dentro de la capota de ventilación. Cerciórese de que el ducto de escape esté asegurado a la capota de ventilación con una abrazadera de 102 mm (4").

2. Traslade la secadora hacia su ubicación final



Traslade la secadora hacia su ubicación final. Evite aplastar o retorcer el ducto de escape. Después de que la secadora se encuentre en su ubicación final, quite los esquinales y el cartón que están debajo de la misma.

NIVELACIÓN DE LA SECADORA

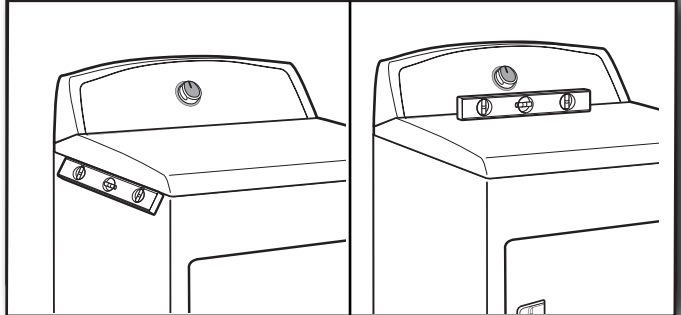
⚠ ADVERTENCIA

Peligro de Peso Excesivo

Use dos o más personas para mover e instalar la secadora.

No seguir esta instrucción puede ocasionar una lesión en la espalda u otro tipo de lesiones.

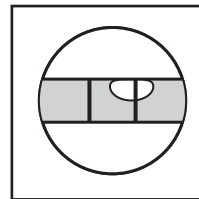
1. Nivele la secadora



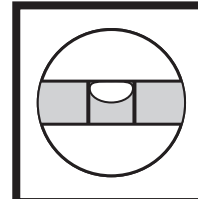
Revise la nivelación de la secadora de lado a lado. Repita el procedimiento de adelante hacia atrás.

NOTA: La secadora debe estar nivelada para que el sistema de detección de humedad funcione correctamente.

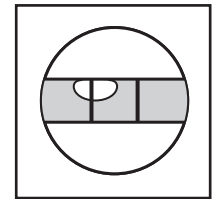
Si las patas no son lo suficientemente largas como para nivelar la secadora, pida un Juego de extensión para las patas de la secadora (se venden dos patas por juego), con su distribuidor.



No está nivelada

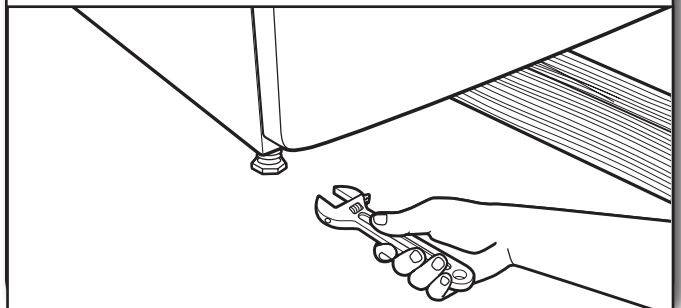


NIVELADA



No está nivelada

2. Apriete y regule las patas niveladoras



Si la secadora no está nivelada, levántela colocando un bloque de madera debajo de la misma. Use una llave de tuercas para regular las patas hacia arriba o hacia abajo y revise nuevamente si está nivelada. Una vez que las patas estén niveladas, cerciórese de que las cuatro patas estén firmes contra el piso.

LISTA DE CONTROL DE LA INSTALACIÓN TERMINADA

- Verifique que todas las piezas estén ahora instaladas. Si hay alguna pieza extra, vuelva a revisar todos los pasos para ver qué se omitió.
- Verifique que tenga todas las herramientas.
- Deshágase de todos los materiales de embalaje o recícelos.
- Revise la ubicación final de la secadora. Asegúrese de que el ducto de escape no esté aplastado ni retorcido.
- Para una instalación con cable de suministro de energía, enchufe en el contacto. Para una instalación con cableado directo, encienda el suministro de energía.
- Verifique que la estufa esté nivelada. Vea “Nivelación de la secadora”.
- Quite la película que está en la consola y cualquier cinta adhesiva que haya quedado en la secadora.
- Limpie el interior del tambor de la secadora meticulosamente con un paño húmedo para quitar residuos de polvo.
- Lea “Uso de la secadora” en el “Manual de uso y cuidado”.
- Fije la secadora en un ciclo con calor máximo (no en un ciclo de aire) por 20 minutos y póngala en marcha.

Si la secadora no funciona, revise lo siguiente:

- Que los controles estén fijados en una posición de funcionamiento Encendido (“On”).
- Que se haya presionado con firmeza el botón de Inicio (Start).
- Que la secadora esté enchufada en un contacto y/o el suministro de energía eléctrica esté encendido.
- Que el fusible de la casa esté intacto y ajustado, o que no se haya disparado el cortacircuitos.
- Que la puerta de la secadora esté cerrada.
- Cuando la secadora haya estado funcionando por 5 minutos, abra la puerta y sienta si hay calor. Si siente calor, cancele el ciclo y cierre la puerta.

Si no siente el calor, apague la secadora y revise lo siguiente:

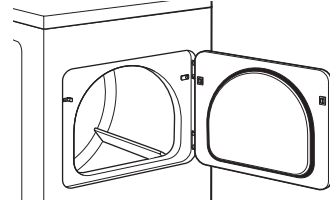
- Es posible que hayan 2 fusibles o cortacircuitos domésticos para la secadora. Asegúrese de que ambos fusibles estén intactos y ajustados, o de que ningún cortacircuitos se haya disparado. Si aún así no siente calor, contacte a un técnico calificado.

NOTA: Podrá notar un olor cuando la secadora se calienta por primera vez. Este olor es común cuando se usa por primera vez el elemento calefactor. El olor desaparecerá.

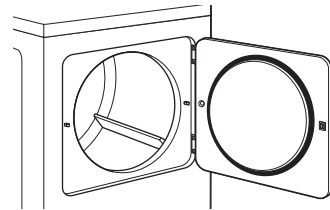
CAMBIO DEL SENTIDO DE ABERTURA DE LA PUERTA (OPCIONAL)

(SOLAMENTE PARA LOS MODELOS CON PUERTAS DE ABERTURA LATERAL)

Si tiene la puerta grande de abertura lateral de 29", siga los pasos 1 a 6.



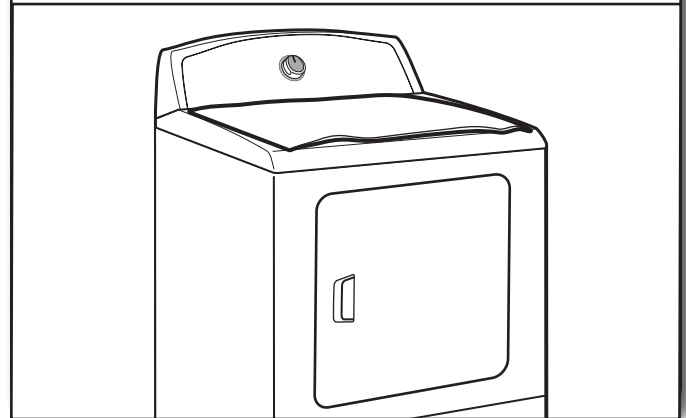
Si tiene la puerta extra ancha de abertura lateral de 29", siga los pasos 1 a 13.



NOTA: Un destornillador imantado es útil.

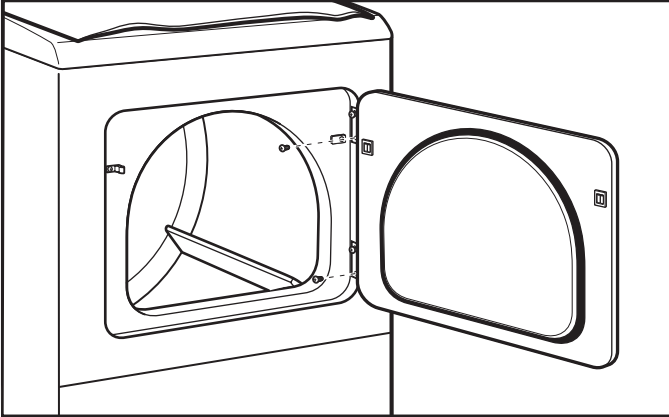
Puerta grande de abertura lateral

1. Coloque una toalla sobre la secadora



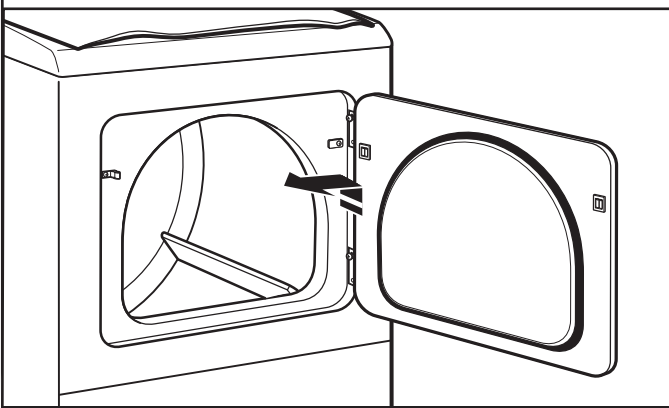
Coloque una toalla encima de la secadora para evitar dañar la superficie.

2. Quite los tornillos de la parte inferior



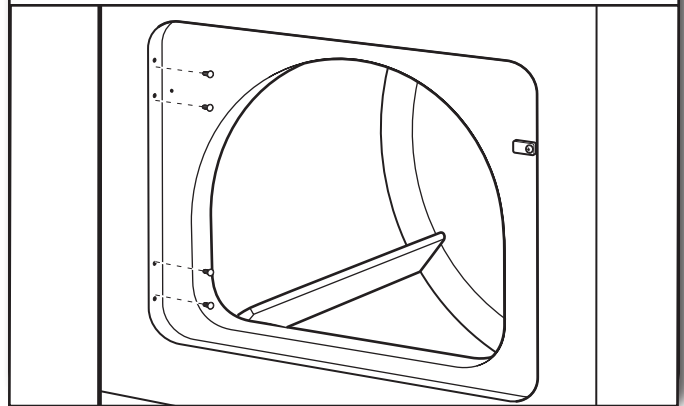
Abra la puerta de la secadora. Extraiga los tornillos inferiores de las bisagras del lado de la carcasa. Afloje (no extraiga) los tornillos superiores de las bisagras del lado de la carcasa.

3. Levante y quite la puerta de los tornillos de la parte superior



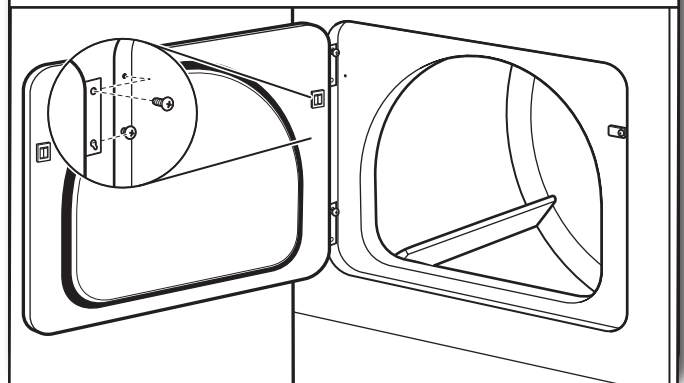
Levante la puerta hasta que los tornillos superiores de la carcasa estén en la parte grande de la ranura de la bisagra. Jale la puerta hacia adelante para separarla de los tornillos. Coloque la puerta encima de la secadora. Extraiga los tornillos superiores de la carcasa de la secadora.

4. Quite y transfiera los tapones de los orificios de la bisagra



Use un destornillador pequeño de hoja plana para quitar cuidadosamente 4 tapones de los orificios de las bisagras en el lado izquierdo de la carcasa de la secadora. Mueva los tapones de los orificios de la bisagra al lado opuesto de la carcasa de la secadora.

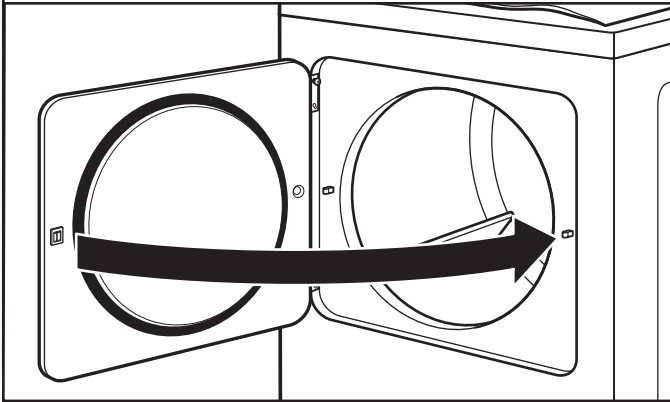
5. Inserte los tornillos en los orificios de la carcasa de la secadora



NOTA: Puede ser que necesite la ayuda de dos personas para volver a instalar la puerta.

Introduzca los tornillos en los orificios inferiores del lado izquierdo de la carcasa de la secadora. Atorníllelos por la mitad. Coloque la puerta de tal forma que el extremo grande de la ranura de la bisagra esté sobre los tornillos. Deslice la puerta hacia arriba para que los tornillos estén en la parte de abajo de las ranuras. Apriete los tornillos. Introduzca y apriete los tornillos superiores en las bisagras.

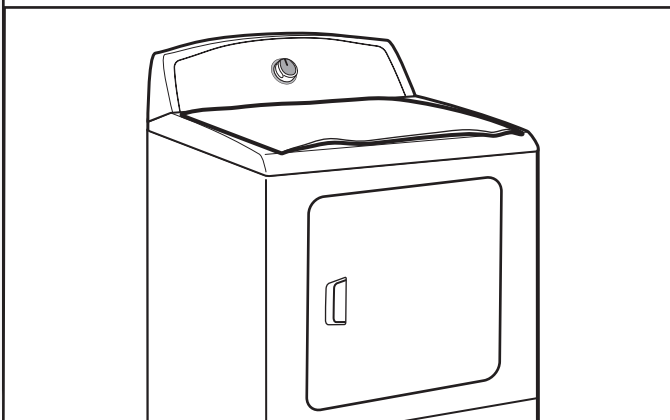
6. Revise el alineamiento del tope de la puerta de la puerta



Cierre la puerta y asegúrese de que el tope de la misma esté alineado con el seguro de la puerta. Si es necesario, deslice el seguro de la puerta hacia la izquierda o derecha dentro de la ranura a fin de ajustar la alineación.

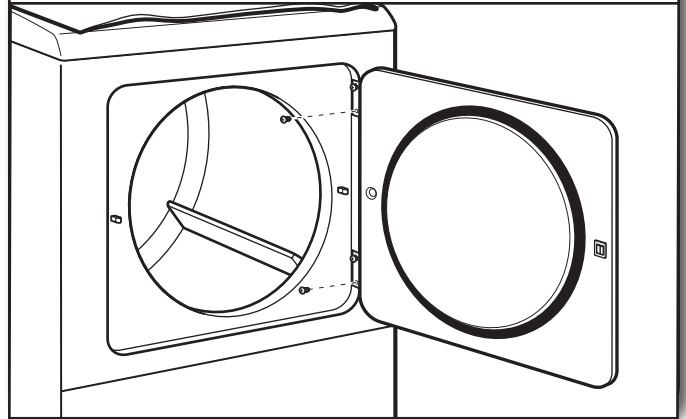
Puerta extra ancha de abertura lateral

1. Coloque una toalla sobre la secadora



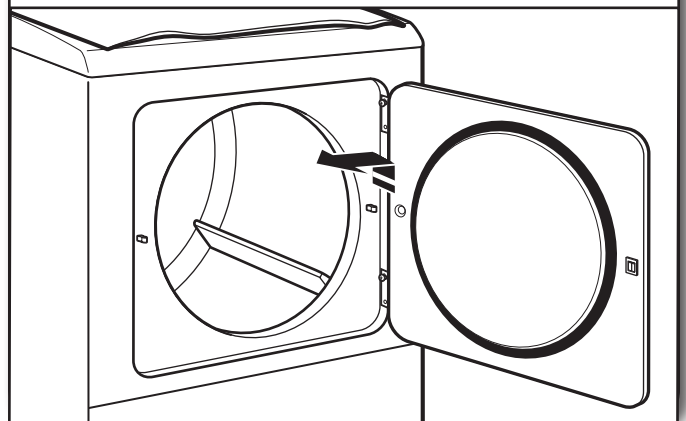
Coloque una toalla encima de la secadora para evitar dañar la superficie.

2. Quite los tornillos de la parte inferior



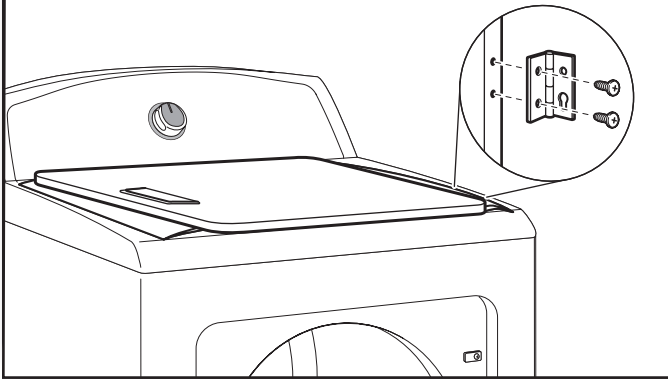
Abra la puerta de la secadora. Extraiga los tornillos inferiores de las bisagras del lado de la carcasa. Afloje (no extraiga) los tornillos superiores de las bisagras del lado de la carcasa.

3. Levante y quite la puerta de los tornillos de la parte superior



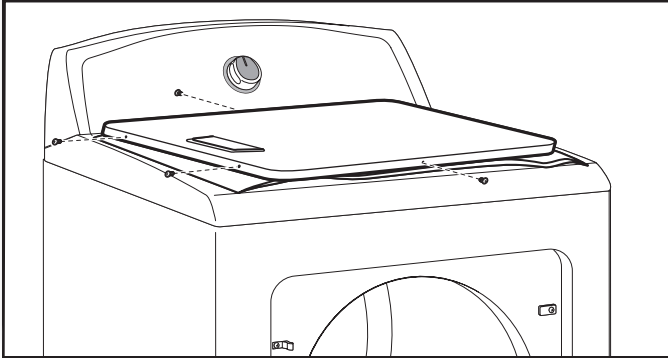
Levante la puerta hasta que los tornillos superiores de la carcasa estén en la parte grande de la ranura de la bisagra. Jale la puerta hacia adelante para separarla de los tornillos. Coloque la puerta (con el lado de la manija hacia arriba) encima de la secadora. Extraiga los tornillos superiores de la carcasa de la secadora.

4. Quite los tornillos de las bisagras



Quite los tornillos que unen las bisagras con la puerta.

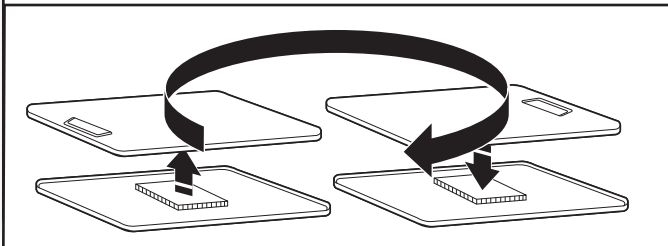
5. Quite los tornillos de la puerta



Quite los tornillos de la parte superior, inferior y lateral de la puerta (4 tornillos). Mantenga los tornillos de la puerta separados de los tornillos de la bisagra, ya que son de distintos tamaños. Sosteniendo la puerta sobre la toalla encima de la secadora, sujete los lados de la puerta exterior y levántela para separarla de la puerta interior.

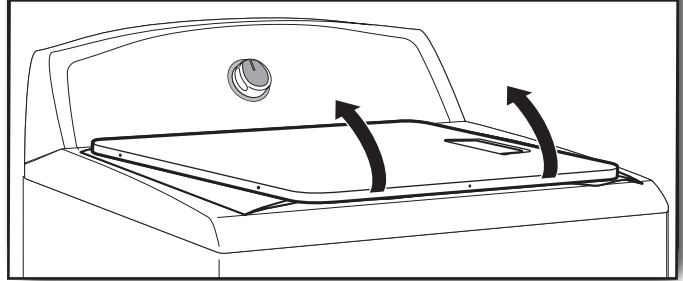
NOTA: No haga palanca con un cuchillo para masilla o un destornillador. No jale el sello de la puerta ni los seguros de plástico de la puerta.

6. Gire la puerta exterior



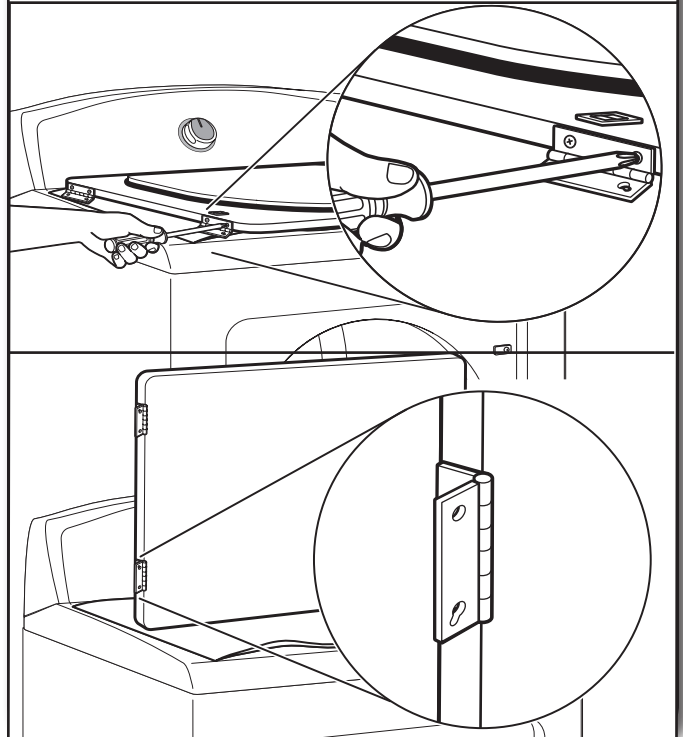
Tome la puerta exterior, gírela 180° y colóquela de nuevo sobre la puerta interior. Asegúrese de mantener el espaciador de cartón centrado entre las puertas. Vuelva a sujetar el panel exterior al panel interior de la puerta, de modo que la manija quede en el lado en donde recién se han quitado las bisagras. Inserte los 4 tornillos de la puerta.

7. Dé vuelta la puerta



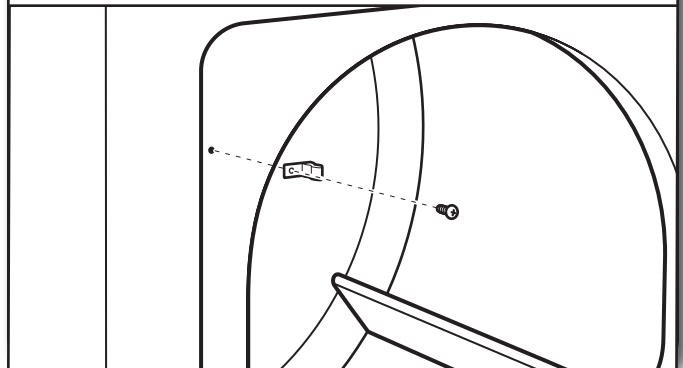
Dé vuelta la puerta de modo que la manija quede hacia abajo.

8. Sujete las bisagras de la puerta



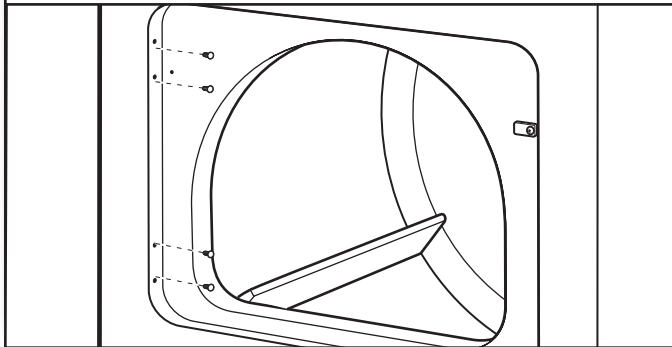
Vuelva a fijar las bisagras de la puerta a la puerta de la secadora, de manera que el orificio más grande quede en la parte inferior de la bisagra.

9. Quite el tope de la puerta



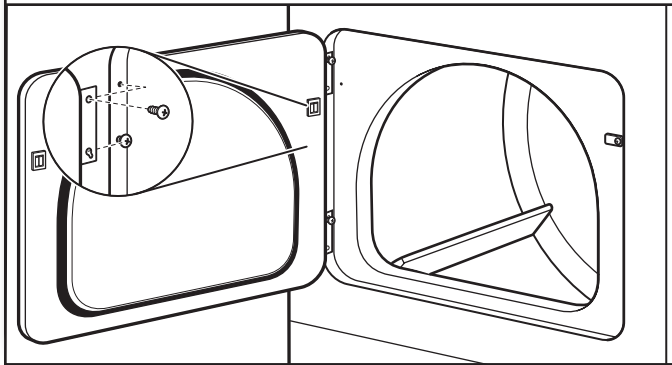
Quite el tope de la puerta de la carcasa de la secadora y colóquelo a un lado.

10. Quite y transfiera los tapones de los orificios de la bisagra



Use un destornillador pequeño de hoja plana para quitar cuidadosamente 4 tapones de los orificios de las bisagras en el lado izquierdo de la carcasa de la secadora. Mueva los tapones de los orificios de la bisagra al lado opuesto de la carcasa de la secadora.

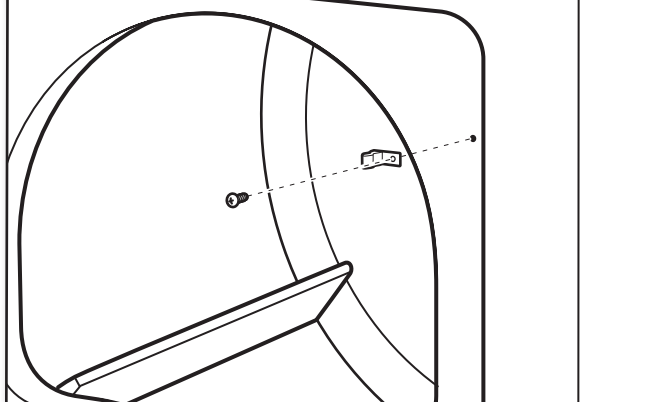
11. Inserte los tornillos en los orificios de la carcasa de la secadora



NOTA: Puede ser que necesite la ayuda de dos personas para instalar la puerta.

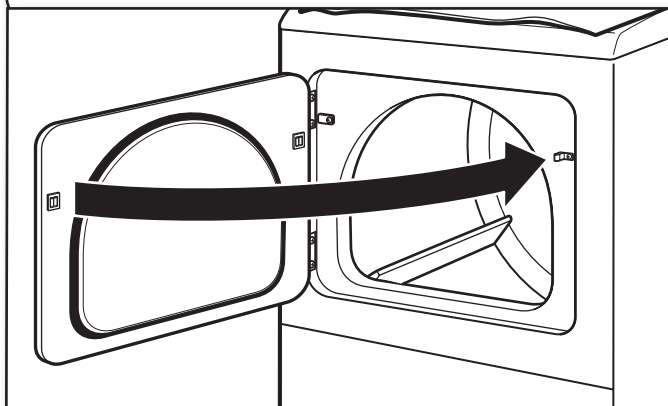
Introduzca los tornillos en los orificios inferiores del lado izquierdo de la carcasa de la secadora. Atorníllelos por la mitad. Coloque la puerta de tal forma que el extremo grande de la ranura de la bisagra esté sobre los tornillos. Deslice la puerta hacia arriba para que los tornillos estén en la parte de abajo de las ranuras. Apriete los tornillos. Introduzca y apriete los tornillos superiores en las bisagras.

12. Saque el tapón del tope de la puerta



Extraiga el tapón del tope de la puerta. Introduzca el tope de la puerta que usted quitó en el paso 9 en el orificio, y asegúrelo con un tornillo. Introduzca el tapón del tope de la puerta en el orificio original del tope de la puerta y asegúrelo con un tornillo.

13. Revise el alineamiento del tope de la puerta



Cierre la puerta y asegúrese de que el tope de la misma esté alineado con el seguro de la puerta. Si es necesario, deslice el seguro de la puerta hacia la izquierda o derecha dentro de la ranura a fin de ajustar la alineación.

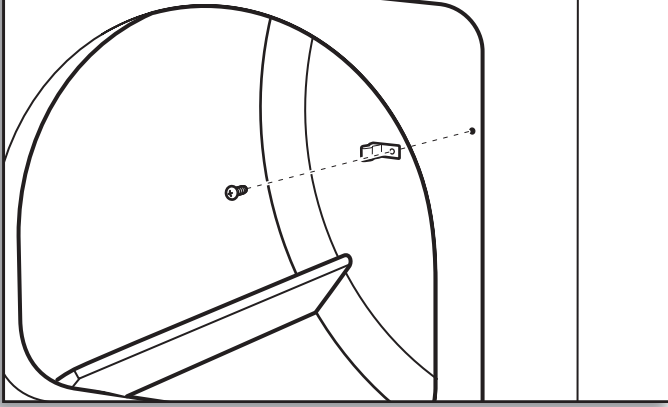
SOLUCIÓN DE PROBLEMAS

Consulte el "Manual de uso y cuidado" para evitar posiblemente el costo de una visita de servicio técnico.

W10461694C

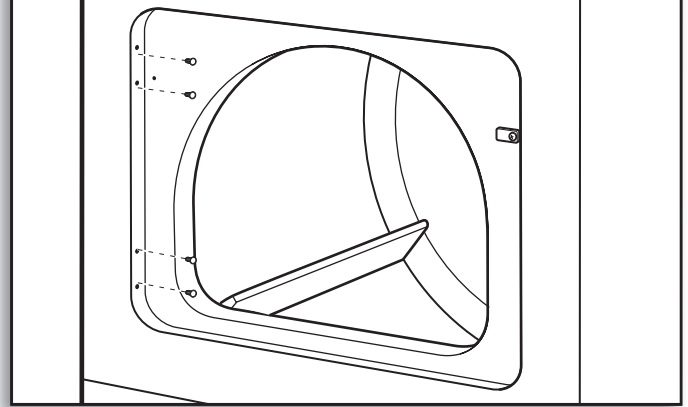
© 2012 Whirlpool Corporation.
All rights reserved.
Tous droits réservés.
Todos los derechos reservados.

12. إزالة سدادة عائق الباب



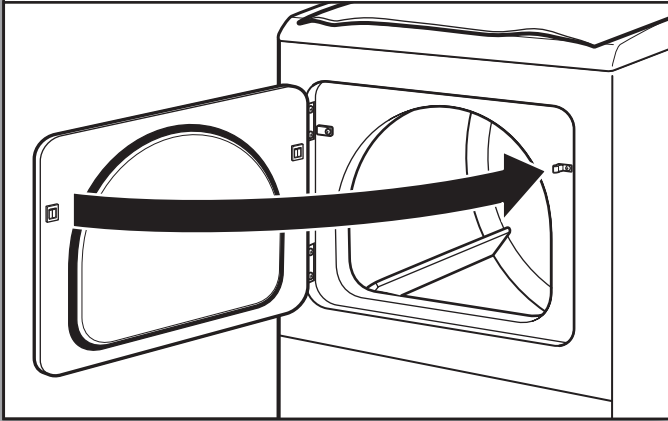
قم بإزالة سدادة عائق الباب. أدخل عائق الباب الذي أزلته في الخطوة 9 في الثقب وأحكم تثبيته بمسمار. أدخل سدادة عائق الباب في ثقب عائق الباب الأصلي وأحكم بلامسمار.

10. إزالة ونقل سدادات فتحة المفصلة



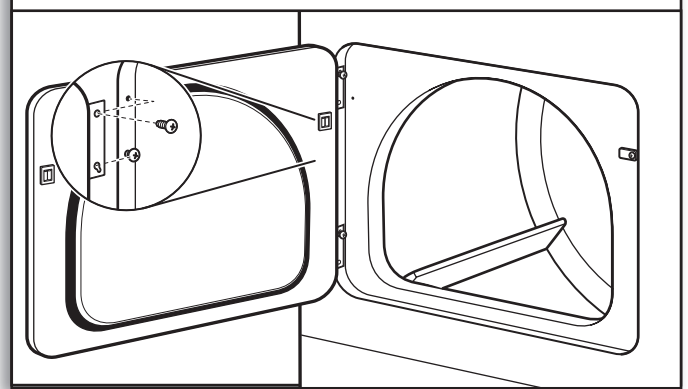
استخدم مفكًا صغيرًا عادة لإزالة سدادات فتحة المفصلة الأربعة بلطف على الجانب الأيسر لخزانة المجفف. انقل السدادات في ثقوب المفصلة على الجانب الآخر لخزانة المجفف.

13. التحقق من محاذاة عائق الباب



أغلق الباب وتأكد أن قفل الباب يحاذي مزلاج الباب. وإذا لزم الأمر، قم بتحريك مزلاج الباب إلى اليسار أو اليمين داخل الثقب لضبط المحاذاة.

11. إدخال المسامير في فتحات المفصلة في خزانة المجفف



ملاحظة: ربما تحتاج لشخصين لإعادة تركيب الباب.

أدخل المسامير في الثقوب السفلية على الجانب الأيسر لخزانة المجفف. اربط المسامير لمنتصف المسافة. ضع الباب بحيث يكون الطرف الكبير لثقب مفصلة الباب على المسامير. قم بتحريك الباب لأعلى بحيث تكون المسامير في الجزء السفلي للثقوب. أحكم ربط المسامير. أدخل المسامير العلوية في المفصلات وأحكم ربطها.

استكشاف الأعطال وإصلاحها

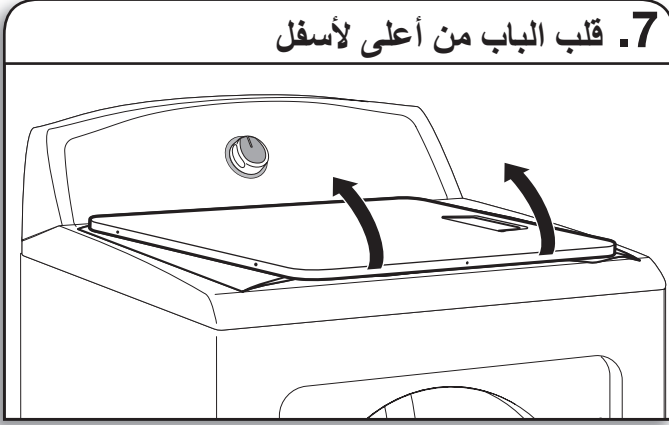
اطلع على "دليل الاستخدام والعناية" لتجنب دفع أي نفقات نظير الاتصال بمركز الخدمة.

W10461694C

© 2012 شركة ويرلبول.

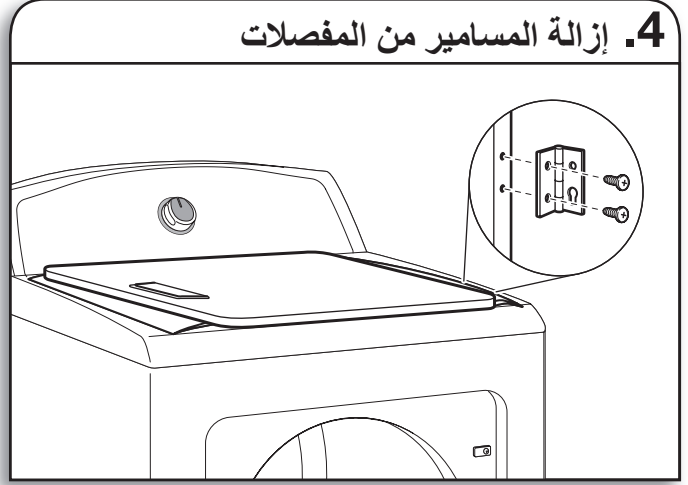
جميع الحقوق محفوظة.

7. قلب الباب من أعلى لأسفل



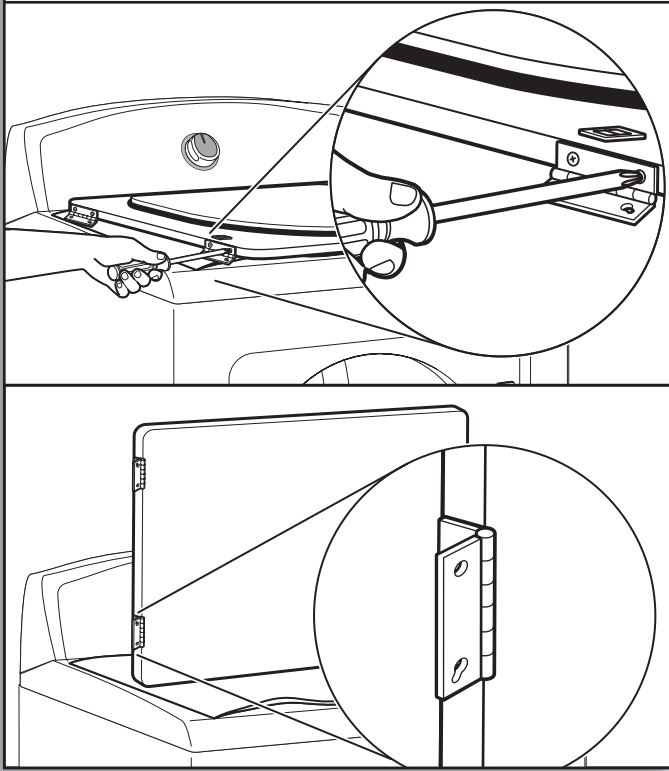
اقلب الباب من أعلى لأسفل حتى يكون جانب المقبض لأسفل.

4. إزالة المسامير من المفصلات



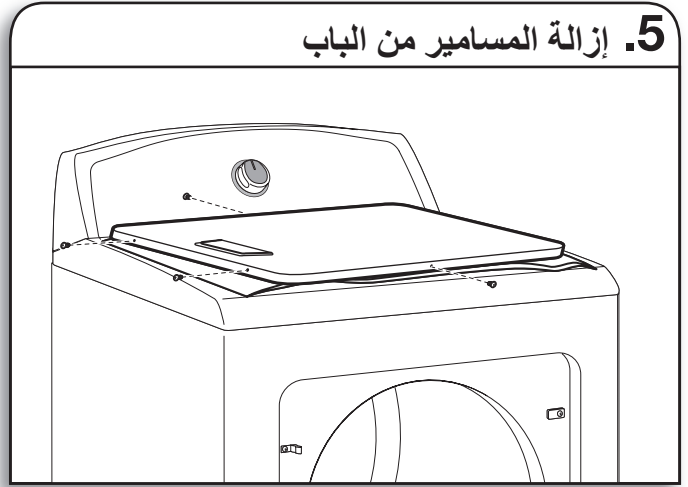
قم بإزالة المسامير التي تربط المفصلات بالباب.

8. ربط مفصلات الباب



أعد ربط مفصلات الباب بباب المجفف بحيث يكون الثقب الأكبر في أسفل المفصلة.

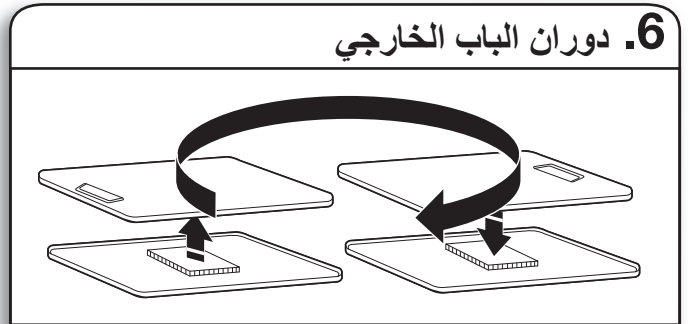
5. إزالة المسامير من الباب



قم بإزالة المسامير من أعلى وأسفل وجانب الباب (4 مسامير). اجعل مسامير الباب منفصلة عن مسامير المفصلات نظرًا لاختلاف أحجامها. وبعد وضع الباب على منشفة أعلى المجفف، أمسك بإحكام جانبي الباب الخارجي، وارفع لفصله عن الباب الداخلي.

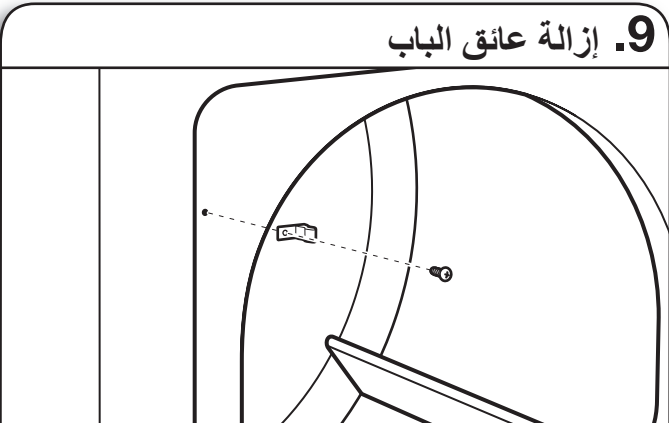
ملاحظة: لا تحاول الفك بسكين معجون أو مفك. لا تسحب سداد الباب أو مزلاج الباب البلاستيكي.

6. دوران الباب الخارجي



خذ الباب الخارجي وأدره بزاوية 180 درجة وضعه مرة أخرى على الباب الداخلي. تأكد من وجود الفاصل الكرتوني في الوسط بين الأبواب. أعد ربط لوحة الباب الخارجي بلوحة الباب الداخلي حتى يكون المقبض على الجانب الذي تمت إزالة المفصلات منه. أدخل مسامير الباب الأربعة.

9. إزالة عائق الباب



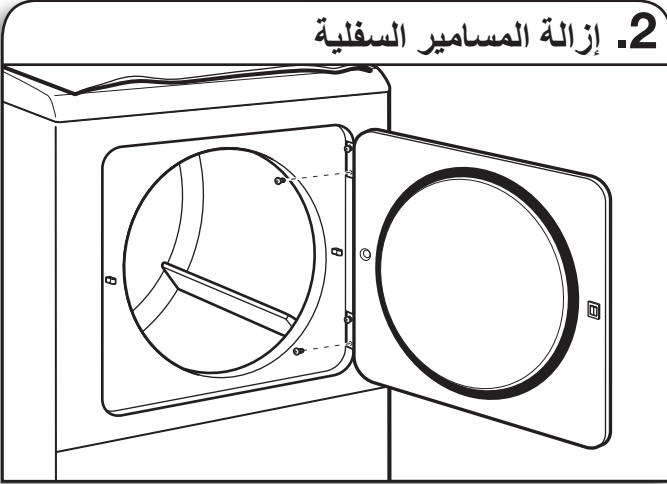
قم بإزالة عائق الباب من خزانة المجفف وضعه جانبًا.

1. وضع منشفة فوق المجفف



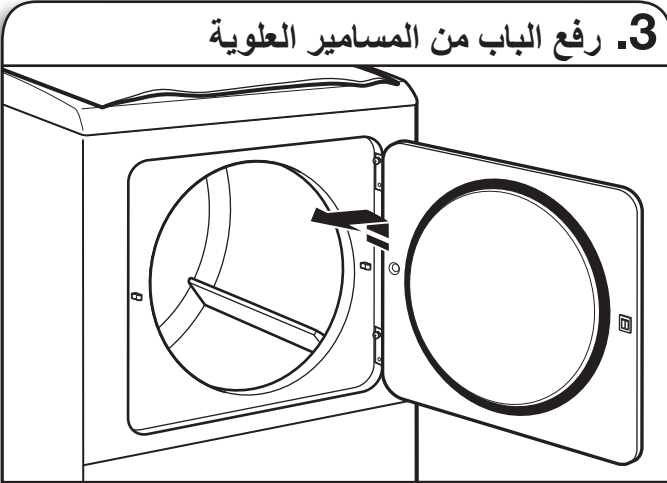
ضع منشفة أعلى المجفف لتجنب إتلاف السطح.

2. إزالة المسامير السفلية



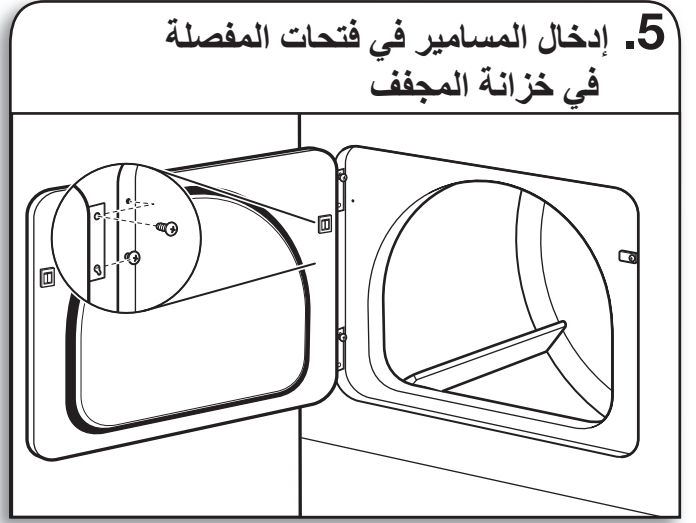
افتح باب المجفف. قم بإزالة المسامير السفلية من جانب مفصلات خزانة المجفف. قم بفك (لا تقم بإزالة) المسامير العلوية من جانب مفصلات خزانة المجفف.

3. رفع الباب من المسامير العلوية



ارفع الباب حتى تكون المسامير العلوية في خزانة المجفف في جزء كبير من ثقب المفصلة. اسحب الباب إلى الأمام من المسامير. ضع الباب (جانب المقبض لأعلى) أعلى المجفف. قم بإزالة المسامير العلوية من خزانة المجفف.

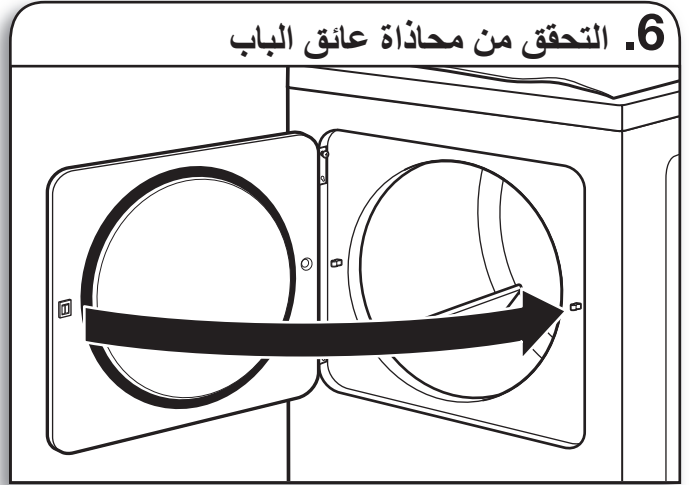
5. إدخال المسامير في فتحات المفصلة في خزانة المجفف



ملاحظة: ربما تحتاج لشخصين لإعادة تركيب الباب.

أدخل المسامير في الثقوب السفلية على الجانب الأيسر لخزانة المجفف. اربط المسامير لمنتصف المسافة. ضع الباب بحيث يكون الطرف الكبير لثقب مفصلة الباب على المسامير. قم بتحريك الباب لأعلى بحيث تكون المسامير في الجزء السفلي للثقوب. أحكم ربط المسامير. أدخل المسامير العلوية في المفصلات وأحكم ربطها.

6. التحقق من محاذاة عائق الباب

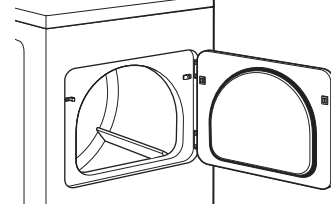


أغلق الباب وتأكد أن قفل الباب يحاذي مزلاج الباب. إذا لزم الأمر، قم بتحريك مزلاج الباب إلى اليسار أو اليمين داخل الثقب لضبط المحاذاة.

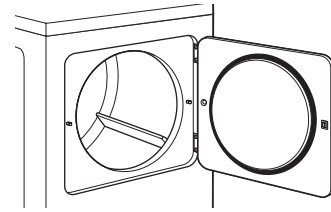
الدوران العكسي للباب

(موديلات ذات أبواب دوران جانبية فقط)

إذا كان بابك من طراز أبواب الدوران الجانبية الكبيرة مقاس 29 بوصة،
اتبع الخطوات من 1 إلى 6.



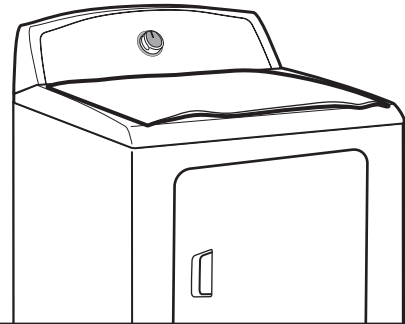
إذا كان بابك من طراز أبواب الدوران الجانبية الضخمة مقاس 29 بوصة،
اتبع الخطوات من 1 إلى 13.



ملاحظة: المفك الممغنط مفيد.

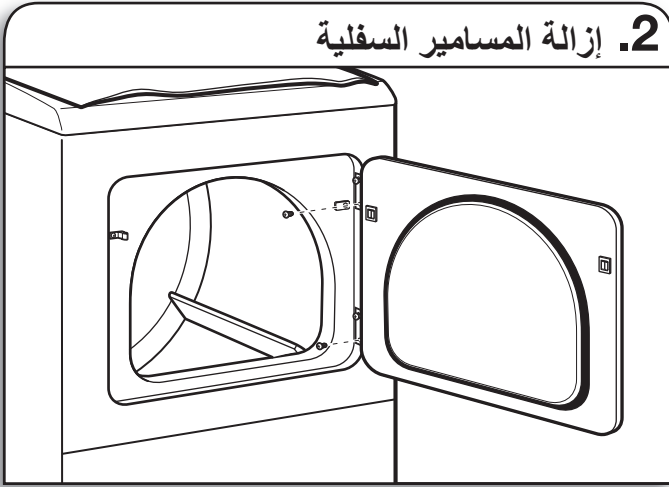
باب دوران جانبي كبير

1. وضع منشفة فوق المجفف



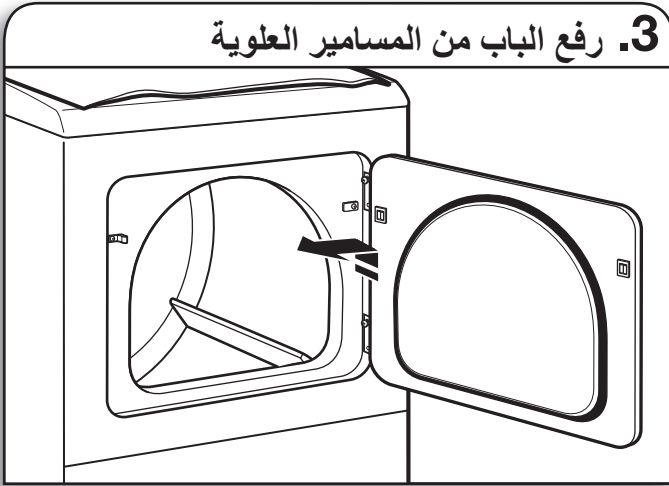
ضع منشفة أعلى المجفف لتجنب إتلاف السطح.

2. إزالة المسامير السفلية



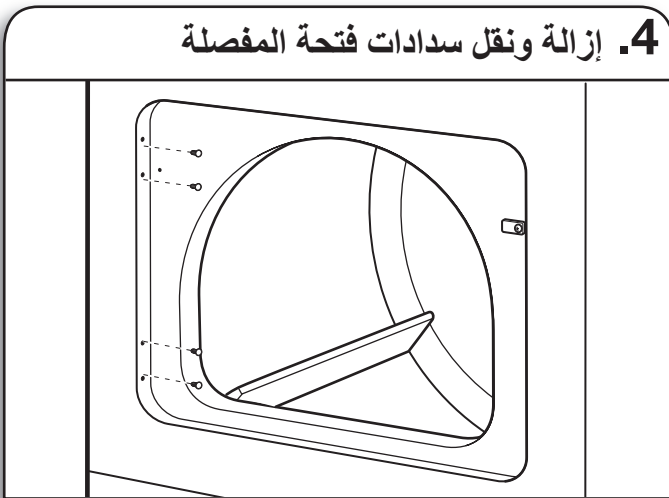
افتح باب المجفف. قم بإزالة المسامير السفلية من جانب مفصلات خزانة
المجفف. قم بفك (لا تقم بإزالة) المسامير العلوية من جانب مفصلات
خزانة المجفف.

3. رفع الباب من المسامير العلوية



ارفع الباب حتى تكون المسامير العلوية في الخزانة في جزء كبير من ثقب
المفصلة. اسحب الباب إلى الأمام من المسامير. ضع الباب أعلى المجفف.
قم بإزالة المسامير العلوية من خزانة المجفف.

4. إزالة ونقل سدادات فتحة المفصلة



استخدم مفكًا صغيرًا عادة لإزالة سدادات فتحة المفصلة الأربعة بلطف
على الجانب الأيسر لخزانة المجفف. أدخل السدادات في ثقب المفصلة
على الجانب الآخر لخزانة المجفف.

- تأكد أن جميع الأجزاء مثبتة الآن. إذا كانت هناك قطعة إضافية، راجع الخطوات بدقة مرة أخرى لمعرفة ما تم تخطيه.
- تأكد أن لديك كل الأدوات الخاصة بك.
- تخلص من/أعد تدوير جميع مواد التغليف الخاصة بالمجفف.
- تأكد من الموقع النهائي للمجفف. تأكد من عدم تحطم أو تجعد أنبوب التهوية.
- بالنسبة لتركيب كبل إمداد الكهرباء، أدخل القابس في مأخذ كهرباء. أما بالنسبة لتركيب الأسلاك المباشرة، قم بتشغيل الطاقة.
- تأكد أن المجفف مستو. راجع "تسوية المجفف".
- قم بإزالة الغشاء الواقي من على لوحة التحكم وأية شريط متبقي على المجفف.
- امسح الجزء الداخلي لحلة المجفف جيدًا بقطعة قماش مبللة لإزالة أي غبار.
- اقرأ "استخدام المجفف" في دليل الاستخدام والعناية.
- اضبط المجفف على دورة حرارة كاملة (وليس دورة هواء) لمدة 20 دقيقة وابدأ تشغيله.

إذا لم يبدأ تشغيل المجفف، تحقق مما يلي:

- مفاتيح التحكم مضبوطة على وضع التشغيل أو "On".
- الضغط على زر البدء بإحكام.
- المجفف موصل بمأخذ التيار و/أو تشغيل موصل الكهرباء.
- المنصهر المنزلي سليم ومحكم أو قاطع الدائرة الكهربائية غير متعثر.
- باب المجفف مغلق.
- عند تشغيل المجفف لمدة 5 دقائق متواصلة، افتح باب المجفف واستشعر الحرارة. إذا شعرت بالحرارة، قم بإلغاء الدورة وأغلق الباب.

إذا لم تشعر بالحرارة، أوقف تشغيل المجفف، وتحقق مما يلي:

- قد يكون هناك منصهران منزليان أو قاطعا دائرة كهربية للمجفف. تأكد من سلامة وإحكام المنصهرين أو أن كلا من قاطعي الدائرة يعملان جيدًا. إذا استمر عدم وجود أي حرارة، اتصل بفني مؤهل.
- ملاحظة:** قد تلاحظ رائحة عندما يتم تسخين المجفف لأول مرة، وهذه الرائحة طبيعية عندما يتم استخدام عنصر الحرارة لأول مرة، علمًا بأنه سرعان ما ستزول هذه الرائحة.

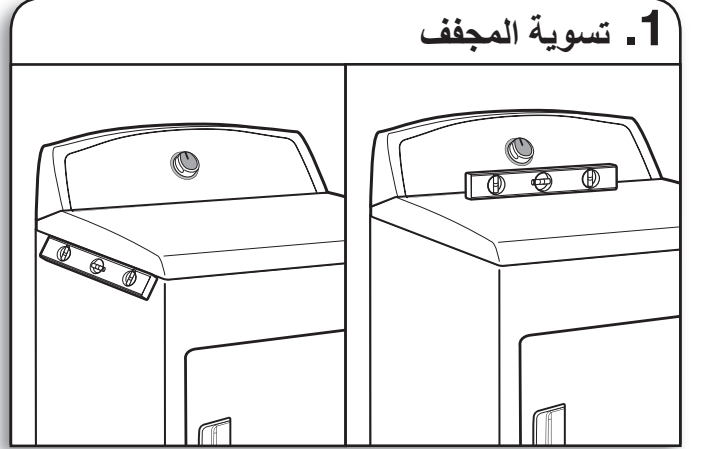
تحذير

مخاطر الوزن الزائد

استعن بشخصين أو أكثر لنقل المجفف وتركيبه.

قد يؤدي عدم الالتزام بذلك إلى الإصابة بالآلام الظهر أو غيرها من الإصابات.

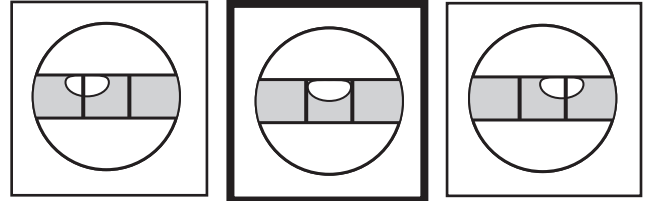
1. تسوية المجفف



تأكد من استواء المجفف من الأجناب. كرر ذلك أيضًا من الأمام إلى الخلف.

ملاحظة: يجب أن يأخذ المجفف وضع الاستواء للحد من الضوضاء وضمان الأداء المناسب.

أما إذا كانت أرجل المجفف ليست طويلة بالقدر الكافي الذي يُسهل عملية استواء المجفف، قم بطلب طقم أقدام المجفف الممتدة رقم القطعة 279810 من موزعك. (حيث يحتوي كل طقم على اثنين من الأرجل).

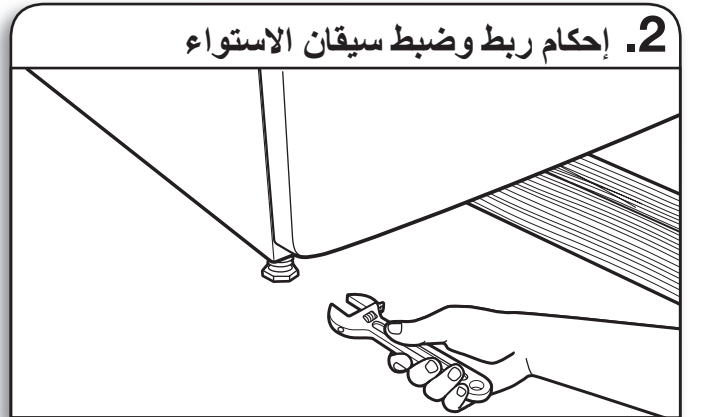


ليست مستوية

مستوية

ليست مستوية

2. إحكام ربط وضبط سيقان الاستواء



إذا كان المجفف غير مستو، اضبط اتزانته باستخدام كتلة خشبية، واستخدم مفتاحًا لضبط السيقان لأعلى أو لأسفل، وتحقق مرة أخرى من الاستواء. وبمجرد استواء السيقان، تأكد أن كل السيقان الأربعة مثبتة على الأرض بإحكام.

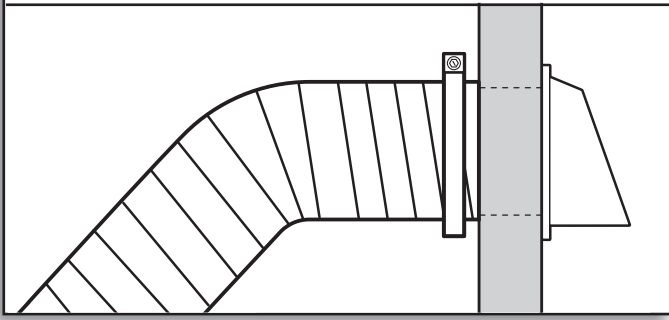
تحديد طول أنبوب التهوية والأحواص اللازمة للحصول على أفضل أداء للتجفيف:

■ استخدم مخطط نظام أنابيب التهوية التالي لتحديد نوع مادة أنبوب التهوية وتركيبات الأغشية المقبولة للاستخدام.

ملاحظة: لا تستخدم أنبوب تهوية أطول من المحددة في مخطط نظام أنابيب التهوية. أنظمة العادم الأطول من المحددة سوف:

- تقلل من العمر الافتراضي للمجفف.
- تخفض مستوى الأداء، مما يؤدي إلى أوقات تجفيف أطول وزيادة في استهلاك الطاقة.

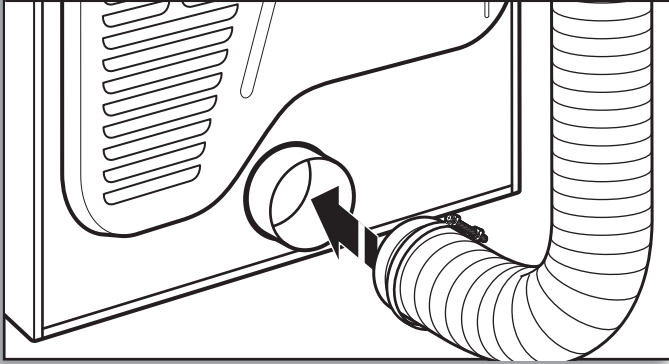
2. توصيل أنبوب التهوية بغطاء العادم



يجب أن يركب أنبوب التهوية فوق غطاء العادم. أحكم ربط أنبوب التهوية بغطاء العادم بمشبك 102 مم (4 بوصة). قم بمد أنبوب التهوية إلى موقع المجفف باستخدام المسار الأكثر استقامة كلما أمكن. تجنب الحنيات بزوايا 90 درجة. استخدم المشابك لإغلاق جميع المفاصل بإحكام. لا تستخدم شريطًا لاصقًا للأنبوب أو مسامير أو غيرها من أدوات الربط التي تمتد إلى المناطق الداخلية لأنبوب التهوية لتثبيت أنبوب التهوية؛ لأنها يمكن أن تلتقط النسالة.

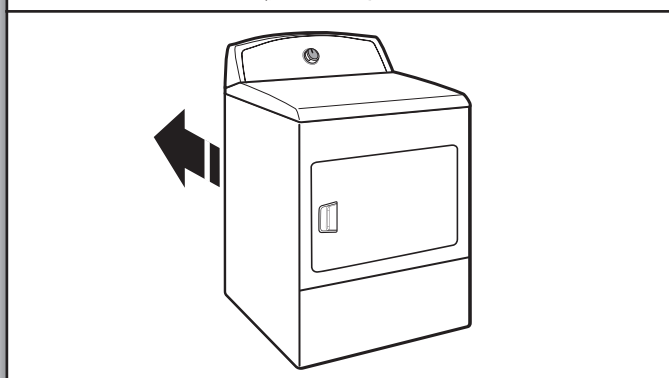
توصيل أنابيب التهوية

1. توصيل أنبوب التهوية بمنفذ العادم



قم بتوصيل أنبوب التهوية بمنفذ العادم في المجفف باستخدام مشبك 102 مم (4 بوصة). إذا كنت توصل بأنبوب تهوية موجود، تأكد من نظافة هذا الأنبوب. يجب أن يتم تركيب أنبوب التهوية للمجفف على منفذ العادم للمجفف وداخل غطاء العادم. تأكد أن أنبوب التهوية مثبت بإحكام بغطاء العادم من خلال مشبك 102 مم (4 بوصة).

2. نقل المجفف للموقع النهائي



قم بنقل المجفف للموقع النهائي. تجنب تحطيم أو تعبيد أنبوب التهوية. وبعد تركيب المجفف في مكانه الصحيح، قم بإزالة دعائم الزاوية والكرتون من تحت المجفف.

مخطط نظام أنابيب التهوية

عدد الحنيات أو الأحواص بزوايا 90 درجة	نوع أنبوب التهوية	الأغشية الصندوقية/ذات الشقوق التهوية	الأغشية الزاوية
0	معدني صلب	15.8 م (52 قدم)	13.4 م (44 قدم)
1	معدني صلب	13.4 م (44 قدم)	11 م (36 قدم)
2	معدني صلب	11 م (36 قدم)	18.5 م (28 قدم)
3	معدني صلب	8.2 م (27 قدم)	6.4 م (21 قدم)
4	معدني صلب	6.1 م (20 قدم)	4.3 م (14 قدم)

يوفر مخطط نظام أنابيب التهوية متطلبات التهوية التي من شأنها أن تساعد على تحقيق أفضل أداء للتجفيف.

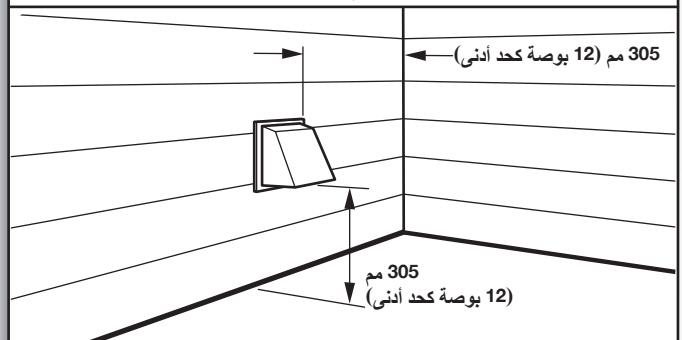
ملاحظة: تتضمن تركيبات العادم الجانبية والسفلية حنية بزوايا 90 درجة داخل المجفف. ولتحديد أقصى طول للعادم، قم بإضافة حنية واحدة بزوايا 90 درجة للمخطط.

يصل أقصى طول باستخدام أنبوب تهوية مستطيل الشكل 51 مم × 152 مم (2 بوصة × 6 بوصة) مع كوعين وغطاء عادم 64 مم (2-1/2 بوصة) إلى 2.4 م (8 قدم).

أما بالنسبة لأنظمة العادم التي لم يتناولها مخطط نظام أنابيب التهوية (مثل العديد من التصميمات العامة لمجموعة الدارات الكهربائية والحيز المستخدم في التهوية ومراوح معززة للطاقة)، راجع دليل الخدمة، الجزء رقم 603197. (لشراء دليل الخدمة، يرجى الاتصال بموزع الخدمة المحلي المعتمد).

تركيب نظام التهوية

1. تركيب غطاء العادم



قم بتثبيت غطاء العادم واستخدم مركب جلفطة لسد فتحة الجدار الخارجي الموجودة حول غطاء العادم.

المشابك:

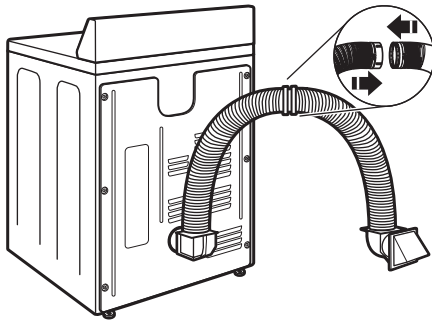
■ استخدم المشابك لإغلاق جميع المفاصل بإحكام.

■ يجب عدم توصيل أو تثبيت أنبوب تهوية العادم بمسامير أو أدوات ربط أخرى تمتد إلى داخل الأنبوب وتمسك بالنسالة. لا تستخدم شريطًا للأنبوب.

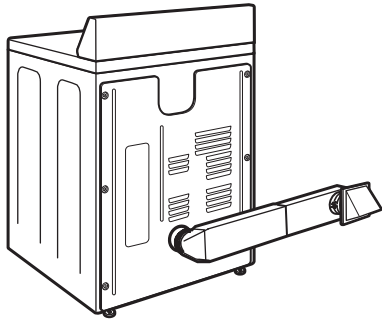
تركيبات بديلة لخلوصات ضيقة

تأتي نظم التهوية في مجموعات متنوعة عديدة. حدد النوع الأفضل لتركيبك. وهنا توضيح لتركيبين للخلوصات الضيقة. يرجى الرجوع إلى إرشادات الشركة المصنعة.

تركيب بعيد عن المعتاد (تتوفر أيضا مع كوع إزاحة واحد)



تركيب بيريسكوبي



إذا كنت تفضل هذا النوع من التركيب، فإنه بإمكانك تحويل المجفف لإخراج العادم من الجانب الأيمن أو الأيسر أو من أسفله. يجب عليك الاتصال بالموزع المحلي لديك لتحويل المجفف.

تحديد مسار أنبوب التهوية:

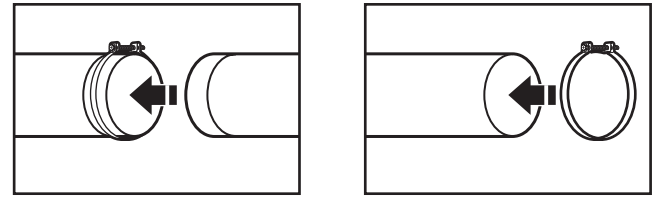
- حدد طريقا يوفر مسارا أكثر استقامة ومباشرة في الهواء الطلق.
- أعد خطة للتركيب لاستخدام أقل عدد من الأكواع والحنيات.
- اترك أكبر مساحة ممكنة حال استخدام أكواع أو صنع حنيات.
- قم بثني أنبوب التهوية تدريجيا لتجنب التجعد.
- استخدم أقل حنيات بزوايا 90 درجة كلما أمكن.

⚠ تحذير



خطر نشوب الحريق

استخدم منفذ تهوية معدنيًا ثقيلًا.
لا تستخدم منفذ تهوية من البلاستيك.
لا تستخدم منفذ تهوية من رقيقة معدنية.
قد يؤدي عدم اتباع هذه الإرشادات إلى الوفاة أو الحريق.



يمكن شراء منتجات أنبوب تهوية من الموزع لديك. للحصول على مزيد من المعلومات، راجع قسم "المساعدة أو الخدمة" في "دليل الاستخدام والعناية" الخاص بك.

قد يؤدي سوء التهوية إلى تجميع الرطوبة والنسالة داخل المنزل، الأمر الذي قد يتسبب في:

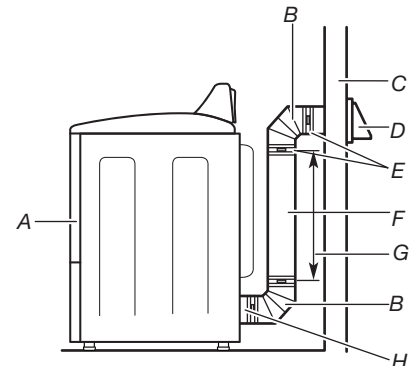
- إضرار الرطوبة بأشغال الخشب والأثاث والطلاء وورق الجدران والسجاد وغيرها.
- مشاكل في تنظيف المنزل والمشاكل الصحية.

خطة نظام التهوية

يجب أن يضمن تصميم نظام المدخنة أن أي سوائل مكثفة تكونت أثناء تشغيل الجهاز من البرد يتم احتجازها ومن ثم تبخيرها أو تصريفها. ويجب أن يستوفي اتباع إرشادات التركيب هذا الشرط على نحو كاف.

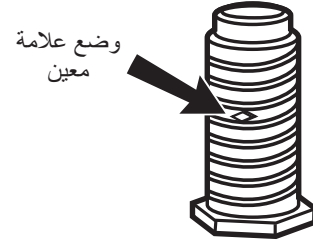
تركيبات العادم الموصى بها

تنفس التركيبات النموذجية عن المجفف من الجزء الخلفي له. والتركيبات الأخرى ممكنة.



- A. المجفف
- B. الكوع
- C. الجدار
- D. غطاء العادم
- E. المشابك
- F. أنبوب تهوية معدني صلب أو معدني مرن
- G. طول أنبوب التهوية اللازم لتوصيل الأكواع
- H. منفذ العادم

2. ربط سيقان الاستواء



افحص سيقان الاستواء، واعثر على علامة المُعين. ثبت السيقان في الثقوب المخصصة لها يدويًا، واستخدام مفتاحًا لإنهاء تدوير السيقان إلى أن تختفي علامة المُعين تمامًا.

أوقف الآن المجفف على أقدامه، وقم بتحريكه حتى يقترب من موقعه النهائي. واترك مساحة كافية للتوصيل الكهربائي ولتوصيل أنبوب تهوية العادم.

متطلبات التهوية

⚠ تحذير

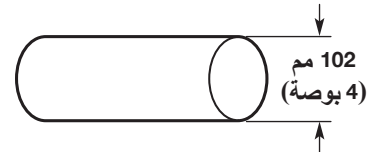


خطر نشوب الحريق

استخدم منفذ تهوية معدنيًا ثقيلًا.
لا تستخدم منفذ تهوية من البلاستيك.
لا تستخدم منفذ تهوية من رقيقة معدنية.
قد يؤدي عدم اتباع هذه الإرشادات إلى الوفاة أو الحريق.

تحذير: للحد من خطر الحريق، يجب إفراغ هذا المجفف في الهواء الطلق.

ملاحظة مهمة: يجب مراعاة جميع القوانين والقرارات الرسمية الحاكمة. يجب ألا يتم توصيل عادم المجفف بأي أنبوب تهوية للغاز أو مدخنة أو جدار أو سقف أو عالية المنزل أو جحر أو مساحة خفية بالمبنى. ولا يستخدم إلا أنبوب تهوية معدني صلب أو مرن لإخراج العادم.



■ قد لا يستخدم إلا أنبوب تهوية للعادم معدني ثقيل 102 مم (4 بوصة) والمشابك؛ لذا لا تقم بتركيب أنبوب تهوية معدني يقل قطره عن 102 مم (4 بوصة)

■ لا تستخدم أنبوب تهوية من الرقاقة المعدنية أو غير المعدنية أو البلاستيك.

أنبوب التهوية المعدني الصلب

■ يوصى به للحصول على أفضل مستوى أداء تجفيف ولتجنب التحطم والتعرق.

أنبوب التهوية المعدني المرن: (لا يسمح به إلا إذا كان سهل التنظيف)

■ يجب مده بالكامل ودعّمه في الموقع النهائي للمجفف.

■ قم بإزالة الزيادة لتجنب التدلي والتجعد مما قد يؤدي إلى انخفاض تدفق الهواء وسوء الأداء.

■ لا تقم بالتركيب في الجدران المغلقة أو السقوف أو الأرضيات.

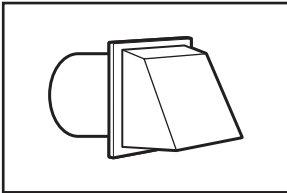
■ يجب ألا يتجاوز الطول الإجمالي 2.4 م (7 3/4 قدم).

ملاحظة: إذا كنت تستخدم نظام تهوية قائم، نظف النسالة من كامل امتداد النظام وتأكد أن غطاء العادم غير مسدود بالنسالة. واستبدال أنابيب التهوية من رقائق البلاستيك أو المعدن بأنابيب تهوية معدنية صلبة أو معدنية مرنة. راجع "مخطط نظام أنابيب التهوية" وإذا لزم الأمر، قم بتعديل نظام التهوية الحالي لتحقيق أفضل أداء للتجفيف.

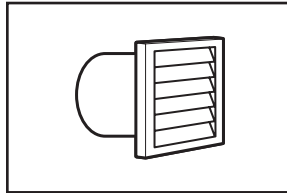
أغطية العادم:

■ يجب ألا يقل عن 305 مم (12 بوصة) من سطح الأرض أو أي جسم قد يعوق العادم (مثل الأزهار أو الصخور أو الشجيرات أو الثلج).

الأنماط الموصى بها:

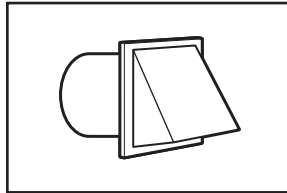


غطاء صندوقي



أغطية ذات شقوق تهوية

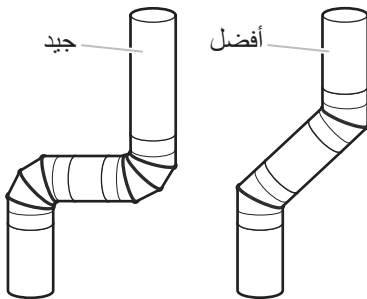
نمط مقبول:



غطاء زاوي

الأنواع:

■ توفر الأنواع بزواوية 45 درجة تدفق هواء أفضل من الأنواع بزواوية 90 درجة.



المتطلبات الكهربائية

طريقة التأريض الموصى بها

- يتحمل المستخدم مسؤولية الاتصال بفني تركيب كهربائي مؤهل لضمان سلامة التركيب الكهربائي وتوافقه مع القوانين والقرارات المحلية.

إرشادات التأريض

- بالنسبة للمجفف المؤرّض المتصل بكبل:

يجب تأريض هذا المجفف. في حال حدوث خلل وظيفي أو عطل، يقلل التأريض من خطر حدوث صدمة كهربائية من خلال توفير مسار لأقل مقاومة للتيار الكهربائي. كما يجب إدخال القابس في مأخذ مناسب تم تثبيته وتأريضه على نحو يتوافق مع جميع النظم واللوائح الكهربائية المحلية.

تحذير: قد يؤدي التوصيل الخاطئ لموصل التأريض للمعدات إلى خطر التعرض لصدمة كهربائية. استشر فني كهرباء مؤهلاً أو ممثل أو موظفي الخدمة إذا كنت في شك بشأن تأريض المجفف بشكل صحيح. كما يُحظر تعديل القابس المرفق مع المجفف. وفي حالة عدم توافقه مع المأخذ، استعن بفني كهربائي مؤهل في تركيب مأخذ يتوافق مع القابس.

يرجى الاحتفاظ بهذه الإرشادات

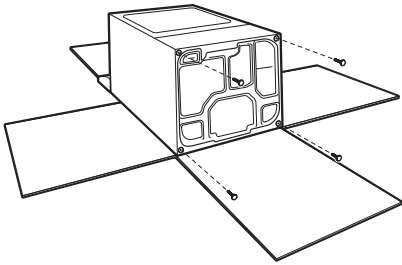
تركيب سيقان الاستواء

تحذير

مخاطر الوزن الزائد

استعن بشخصين أو أكثر لنقل المجفف وتركيبه. قد يؤدي عدم الالتزام بذلك إلى الإصابة بالآلام الظهر أو غيرها من الإصابات

1. إعداد المجفف لسيقان التسوية



لتجنب إلحاق الضرر بالأرضية، استخدم قطعة مسطحة كبيرة من الورق المقوى من كرتون المجفف؛ ضعها تحت كامل الحافة الخلفية للمجفف. أمسك بإحكام جسم المجفف (وليس لوحة التحكم) وضعه بلطف على الورق المقوى.

تحذير



خطر التعرض لصدمة كهربائية

التأريض الكهربائي للجهاز.
لا تستخدم سلك تمديد مع هذا المجفف.
قد يؤدي عدم اتباع هذه الإرشادات إلى الوفاة أو اندلاع حريق أو صدمة كهربائية.

تم إرفاق هذا المجفف بدون أي سلك أو قابس كهربائي.

مسؤوليتك أن:

- تتصل بمختص تركيب كهربائي مؤهل.
- تتأكد أن التوصيل الكهربائي كاف ومتوافق مع جميع القوانين والقرارات الرسمية المحلية.
- توفر مصدر كهربائي لتيار متردد أحادي الطور 240 فولت 60 هرتز فقط على دائرة كهربائية 30 أمبير منفصلة مندمجة على جانبي الخط. ويوصى باستخدام بمنصهر إعاقه زمنية أو قاطع دائرة. اتصل بدائرة فرعية فردية. ولا يكن لديك منصهر في الدائرة المحايدة أو دائرة التأريض.

- وتجنب استخدام وصلة تمديد.

- يوصى أن يحدد فنيي كهرباء مؤهل مدى ملائمة المسار الأرضي إذا كانت القوانين تسمح بذلك ويتم استخدام سلك أرضي منفصل.

التوصيل الكهربائي

تركيب مجففك بشكل صحيح، يجب تحديد نوع التوصيل الكهربائي الذي سوف تستخدمه واتباع الإرشادات المنصوص عليها الخاصة به هنا.

في حالة استخدام كبل التيار الكهربائي:

استخدم عدة كبل مصدر القدرة المصنف من قبل UL المؤشر عليه للاستخدام مع مجففات الملابس. ينبغي أن تحتوي العدة على:

- كبل مصدر الإمداد بالطاقة بقدرة 30 أمبير ومصنف من قبل UL، ويحد أدنى للجهد الكهربائي قدره 240 فولت. وينبغي أن يكون نوع الكبل SRD أو SRDT وطوله لا يقل عن 4 أقدام (1.22 متر)، وينبغي أن تنتهي الأسلاك التي تتصل بالمجفف بأطراف حلقيّة أو أطراف خطافية بنهايات مقلوبة.

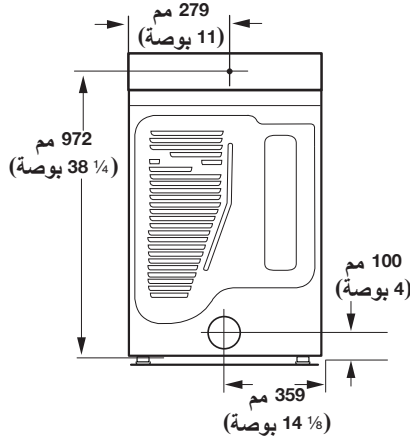
- مخفف التوتر المصنف من قبل UL.

التوصيل عن طريق السلك المباشر:

يجب أن يوافق كبل مصدر القدرة مصدر القدرة ذاتها ويكون:

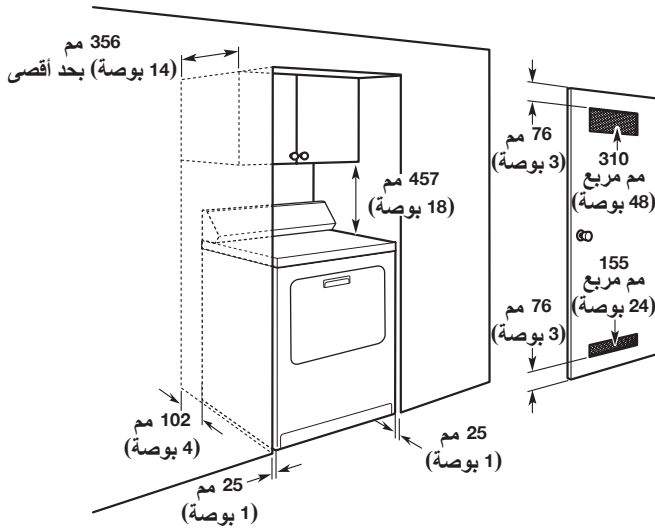
- كبل مدرع مرن أو كبل نحاس مغلفة غير معدني (بسلك أرضي)، مغطى بقناة معدنية مرنة. يجب أن تكون جميع الأسلاك الحاملة للتيار معزولة.
- أسلاك نحاس صلبة عيار 10 (لا تستخدم الألمونيوم).
- لا يقل الطول عن 5 قدم (1.52 متر).

المنظر الخلفي:



التركيب في مساحة غائرة وفي خزانة

يمكن تركيب هذا المجفف في مساحة غائرة أو في خزانة، ففي حال تركيب باب خزانة أو باب بشقوق، فإنه يلزم وجود الحد الأدنى لفتحات تهوية سفلية وعلوية سالكة بالباب. بالنسبة للتركيب في مساحة غائرة أو التركيب في خزانة، فإنه يمكن العثور على الحد الأدنى للخلوصات في علامة التسلسل الموجود على المجفف.

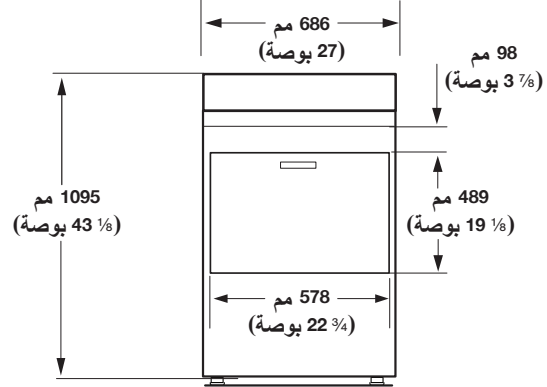


خلوصات (حيز) التركيب:

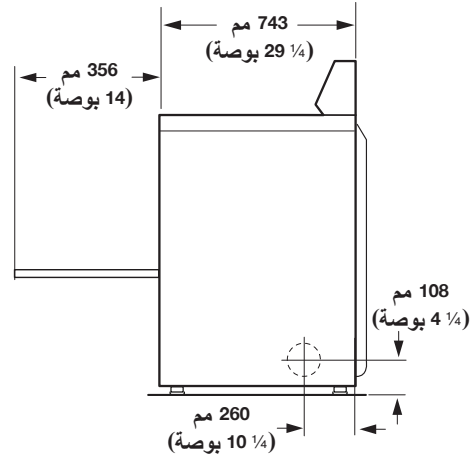
ضع في اعتبارك، بالنسبة لكل ترتيب في عملية التركيب، وجود مساحة كافية لسهولة التركيب والصيانة والمباعدة بين الأجهزة المرفقة مع وجود مساحة بين الحوائط والأبواب وقوالب الأرضية. يجب أن تكون المساحة كبيرة بما يكفي للسماح للباب أن يفتح بشكل كامل، ويوصى بوجود حيز إضافي على جميع جوانب المجفف للحد من انتقال الضوضاء، ففي حال تركيب باب الخزانة أو باب بشقوق، فإنه يلزم وجود فتحات تهوية سفلية وعلوية بالباب.

أبعاد المجفف

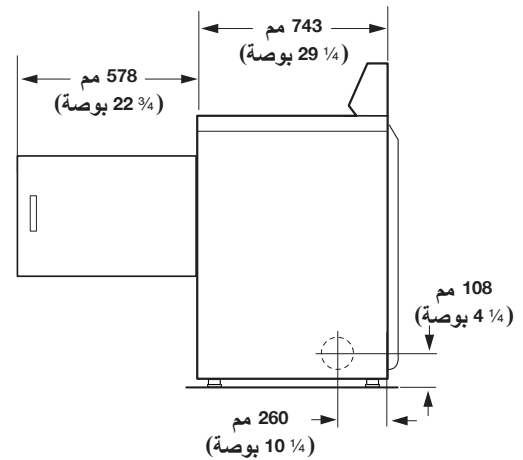
المنظر الأمامي:



المنظر الجانبي:



المنظر الجانبي للباب الدوار الجانبي:



■ الأبعاد الموضحة هي الحد الأدنى للخلوصات المطلوبة، وضع في اعتبارك وجود مساحة كافية لسهولة التركيب والصيانة والالتزام بالقوانين والقرارات المحلية.

■ يجب أيضًا أن تضع في اعتبارك وجود مساحة إضافية بين الأجهزة المرفقة وخلوصات للحوائط والأبواب والقوالب الأرضية، كما يوصى بمباعدة إضافية 25 مم (1 بوصة) على جميع جوانب المجفف للحد من انتقال الضوضاء.

■ يجب ألا يتم تركيب المجفف خلف باب قابل للقفل أو باب منزلق أو باب بمفصلة بالجهة المقابلة لباب المجفف.

■ يجب إفراغ هذا المجفف في الهواء الطلق.

■ لا يجوز تركيب أجهزة حرق وقود أخرى في نفس الخزانة كالمجفف.

متطلبات الموقع

⚠ تحذير



خطر الانفجار

احتفظ بالمواد القابلة للاشتعال والأبخرة -مثل البنزين- بعيداً عن المجفف.

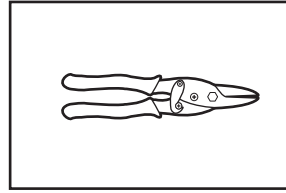
ضع المجفف على ارتفاع لا يقل عن 460 مم (18 بوصة) فوق الأرضية عند التركيب في مرآب.

قد يؤدي عدم القيام بذلك إلى الوفاة أو الانفجار أو الحريق.

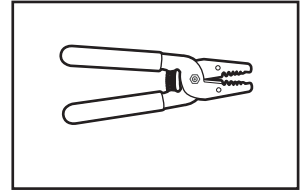
اختر الموقع المناسب لوضع المجفف حتى يمكن الحصول على أداء أفضل وخفض مستوى الضوضاء، وتحقق من متطلبات القانون، حيث تحدّ بعض القوانين أو لا تسمح بتركيب المجفف في المرآب، أو الخزان أو المساكن المتنقلة أو أماكن النوم. اتصل بمفتش البناء المحلي.

ستحتاج إلى:

- موقع يسمح بالتركيب السليم للعادم، حيث إنه من الضروري أن يُفَرَّغ العادم في الهواء الطلق، راجع "متطلبات التهوية".
 - أرضية متينة تعمل على تثبيت المجفف وتتحمّل وزنه كاملاً (المجفف والحمولة) الذي يبلغ 90.7 كيلو جرام (200 رطل)، وينبغي أيضاً وضع الوزن المجمع للأجهزة المرافقة في الاعتبار.
 - أرضية مستوية بحد أقصى للانحدار يبلغ 25 مم (1 بوصة) تحت المجفف بالكامل، فإذا كان الانحدار أكبر من 25 مم (1 بوصة)، قم بتركيب طقم أقدام المجفف الممتدة، رقم القطعة 279810، فقد لا تنقلب الملابس ولا تعمل الموديلات التي تحتوي على دورات المستشعر التلقائي بشكل صحيح، إذا لم يتم استواء المجفف.
 - من الضروري التأكد من وجود مصدر إمداد بالهواء مناسب بالغرفة لعملية التجفيف، فقد يؤثر تشغيل هذا الجهاز على الأجهزة الأخرى التي تحصل على إمداد الهواء الخاص بها من نفس الغرفة للقيام بعملية احتراق آمنة.
 - يجب توفير تهوية مناسبة لتفادي ارتداد الغازات الناتجة عن حرق الأجهزة لأنواع وقود أخرى بما في ذلك النيران المشتعلة إلى الغرفة، يرجى الاتصال بالجهة المصنعة للجهاز في حال الشك.
- ملاحظة مهمة:** يجب ألا يتم تركيب المجفف أو تخزينه في منطقة يتعرض فيها للماء و/أو أحوال الطقس. ولا تشغل المجفف في درجات حرارة أقل من 7 درجات مئوية (45 درجة فهرنهايت)، حيث إنه في درجات الحرارة المنخفضة، قد لا يغلق المجفف في نهاية الدورة التلقائية، ويمكن أن تمتد أوقات التجفيف.
- تقع مسؤولية التركيب الصحيح على عاتق المستخدم.

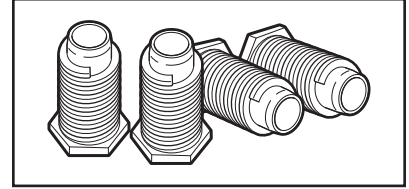


مقص صفيح
(لتركيبات أنابيب التهوية الجديدة)



معريّة أسلاك
(لتركيبات سلك مباشر)

الأجزاء المرفقة (جميع الموديلات):



سيقان تسوية (4)

تقع عبوة القطع في حلة المجفف. فتأكد أن جميع القطع مرفقة.

الأجزاء المطلوبة: (غير مرفقة مع المجفف)

- قابس وكبل كهربائي
- مشابك أنبوب التهوية
- أنواع للتهوية وأنبوب صرف

في حالة استخدام كبل التيار الكهربائي:

استخدم طقم كبل مصدر القدرة UL المسجل المؤشر عليه للاستخدام مع المجففات. ينبغي أن تحتوي العدة على:

- كبل مصدر الإمداد بالطاقة بقدرة 30 أمبير ومصنف من قبل UL، وبحد أدنى للجهد الكهربائي قدره 240 فولت. وينبغي أن يكون نوع الكبل SRD أو SRDT وطوله لا يقل عن 4 أقدام (1.22 متر)، وينبغي أن تنتهي الأسلاك التي تتصل بالمجفف بأطراف حلقية أو أطراف خطافية بنهايات مقلوبة.
- مخفف التوتر المصنف من قبل UL.

قد تتطلب عملية التركيب شراء بعض الأجزاء الإضافية. تحقق من اللوائح الكهربائية المحلية. افحص التهوية والإمداد الكهربائي. اقرأ "المتطلبات الكهربائية" و "متطلبات التهوية" قبل شراء الأجزاء.

إرشادات مهمة للسلامة

تحذير: للحد من خطر نشوب حريق أو وقوع صدمات كهربائية أو إصابة الأفراد عند استعمال الغسالة؛ اتبع الاحتياطات الأساسية التي تتضمن ما يلي:

- احرص على قراءة جميع الإرشادات قبل استعمال الغسالة.
- لا تقم بغسل ملابس سبق تنظيفها أو غسلها أو نقعها أو تحتوي على بقع بنزين أو مساحيق تنظيف جافة أو أي مواد أخرى قابلة للاشتعال أو الانفجار، حيث إن ذلك قد يسفر عن انبعاث أبخرة يمكن أن تشتعل أو تنفجر.
- لا تضيف البنزين أو مساحيق التنظيف الجاف أو أي مواد أخرى قابلة للاشتعال أو مواد متفجرة لمياه الغسيل؛ فقد تنبعث منها أبخرة تؤدي إلى الاشتعال أو الانفجار.
- قد يتولد غاز الهيدروجين في ظل ظروف معينة. في نظام الماء الساخن وذلك في حال عدم استخدامه لمدة أسبوعين أو أكثر. مع العلم أن غاز الهيدروجين من الغازات المتفجرة، وفي حال عدم استخدام نظام الماء الساخن في هذه المدة، يُصح بتشغيل كل صنابير المياه الساخنة قبل البدء في استخدام الغسالة، واطرك الماء يتدفق من كل صنوبر لعدة دقائق؛ وقد يؤدي ذلك إلى انبعاث أي تراكمت لغاز الهيدروجين، لذا يحظر التدخين أو استخدام أي لهب مكشوف خلال هذا الوقت، حيث إن غاز الهيدروجين قابل للاشتعال.
- لا تسمح للأطفال باللعب فوق الغسالة أو داخلها. احرص على مراقبة الأطفال دائماً عند استعمال الغسالة بالقرب منهم.
- هذا الجهاز غير مخصص لاستخدام الأطفال أو ذوي الحاجات الخاصة دون إشراف.
- قبل رفع الغسالة من الخدمة أو التخلص منها، قم بفك الباب أو الغطاء.
- لا تضع يديك داخل الغسالة إذا كانت الحلة أو الحوض أو الخصاص في حالة حركة.
- لا تقم بتركيب الغسالة أو تخزينها في مكان تتعرض فيه لعوامل الطقس.
- لا تعبث بمفاتيح التحكم.
- لا تصلح أي جزء من الغسالة أو تستبدله أو تحاول القيام بأي أعمال صيانة إلا إذا تم التوصية بذلك تحديداً في دليل الاستخدام والعناية هذا.
- يُرجى الاطلاع على إرشادات التركيب الخاصة بمتطلبات التأريض الكهربائي.
- في حال تلف كبل مصدر الطاقة، يجب استبداله من جانب الجهة المصنعة أو وكيل الخدمة التابع لها أو شخص مؤهل للصيانة لتجنب الخطر.

يرجى الاحتفاظ بهذه الإرشادات

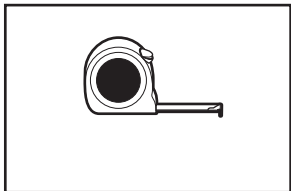
احتياطات السلامة

1. يحظر استخدام أو تخزين البترول أو أي مواد أخرى سريعة الاشتعال في هذا الجهاز أو بالقرب منه.
2. يحظر رش الأيروسولات في نطاق هذا الجهاز أثناء تشغيله.
3. يحظر تغيير إعدادات الجهاز.

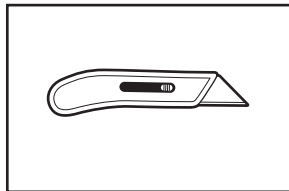
متطلبات التركيب

الأدوات والأجزاء:

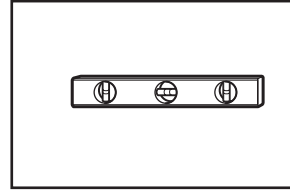
اجمع الأدوات والأجزاء اللازمة قبل بدء التركيب.



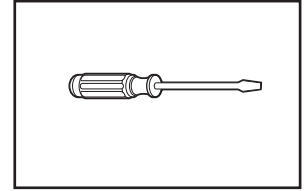
شريط قياس



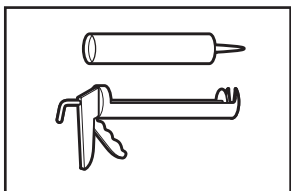
مديّة مرفقية



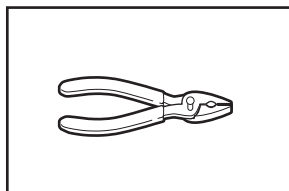
ميزان ضبط الاستواء



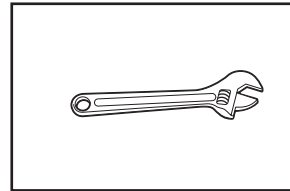
مفك بشفرة مسطحة



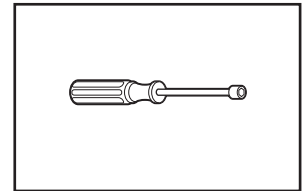
مركب ومسدس جلفطة (لتركيب أنبوب تهوية العادم الجديد)



كماشة



مفتاح ربط انضباطي يفتح حتى بوصة واحدة 25 مم (1 بوصة) أو مفتاح ربط صندوقي سداسي الرأس



سواقة صواميل 6.2 مم (1/4 بوصة)

سلامتك وسلامة الآخرين أمر هام للغاية.

لقد وضعنا العديد من رسائل السلامة المهمة الخاصة بالجهاز في هذا الدليل؛ لذا احرص دائماً على قراءة رسائل السلامة والالتزام بها.

هذا هو رمز تنبيه السلامة.

ينبهك هذا الرمز إلى المخاطر المحتملة التي يمكن أن تتسبب في حدوث حالات وفاة أو تُسبب الأذى لك وللآخرين. تظهر جميع رسائل السلامة عقب رمز تنبيه السلامة، سواءً كانت كلمة "DANGER" (خطر) أو "WARNING" (تحذير). وتعني هاتان الكلمتان ما يلي:



قد تتعرض للوفاة أو الإصابة البالغة على الفور في حال عدم اتباعك للإرشادات.



قد تتعرض للوفاة أو إصابة بالغة في حالة عدم اتباعك للإرشادات.



ستطلعك جميع رسائل السلامة على المخاطر المحتملة، وتلك على كيفية الحد من فرصة التعرض للإصابة، كما تلك على ما قد يحدث في حالة عدم اتباع الإرشادات.

تحذير - "خطر الحريق"



- يجب إجراء تركيب مجفف الملابس عن طريق الاستعانة بفني تركيب مؤهل.

- قم بتركيب مجفف الملابس وفقاً لإرشادات الشركة المصنعة والقوانين المحلية.

- لا تقم بتركيب مجفف الملابس مع مواد أنبوب تهوية بلاستيكية مرنة أو أنبوب معدني مرن (من نوع الرقيقة المعدنية)، ففي حال تركيب أنبوب معدني مرن؛ يجب أن يكون من نوع تحدده الشركة المصنعة للجهاز باعتباره مناسباً للاستخدام مع مجففات الملابس، ومن المعروف أن مواد أنبوب التهوية المرنة تنهار وتتحطم بسهولة وتحجز النسالة. وتعيق هذه الأحوال تدفق هواء مجفف الملابس، كما أنها تعمل على زيادة خطر نشوب حريق.

- للحد من خطر الإصابة البالغة أو الوفاة؛ اتبع جميع إرشادات التركيب.

- يرجى الاحتفاظ بهذه الإرشادات.

إرشادات تركيب المجفف الكهربائي

جدول المحتويات

7	متطلبات التهوية	2	سلامة المجفف
8	خطة نظام التهوية	3	متطلبات التركيب
9	تركيب نظام التهوية	3	الأدوات والأجزاء
9	توصيل أنابيب التهوية	4	متطلبات الموقع
10	تسوية المجفف	6	المتطلبات الكهربائية
10	التركيب الكامل لقائمة المراجعة	6	تركيب سيقان الاستواء
11	الدوران العكسي للباب (اختياري)		
14	استكشاف الأعطال وإصلاحها		