

# Installation Instructions



## Coin-Operated Stacked Dryers

**Electric**  
230-volt, 50-Hz Models

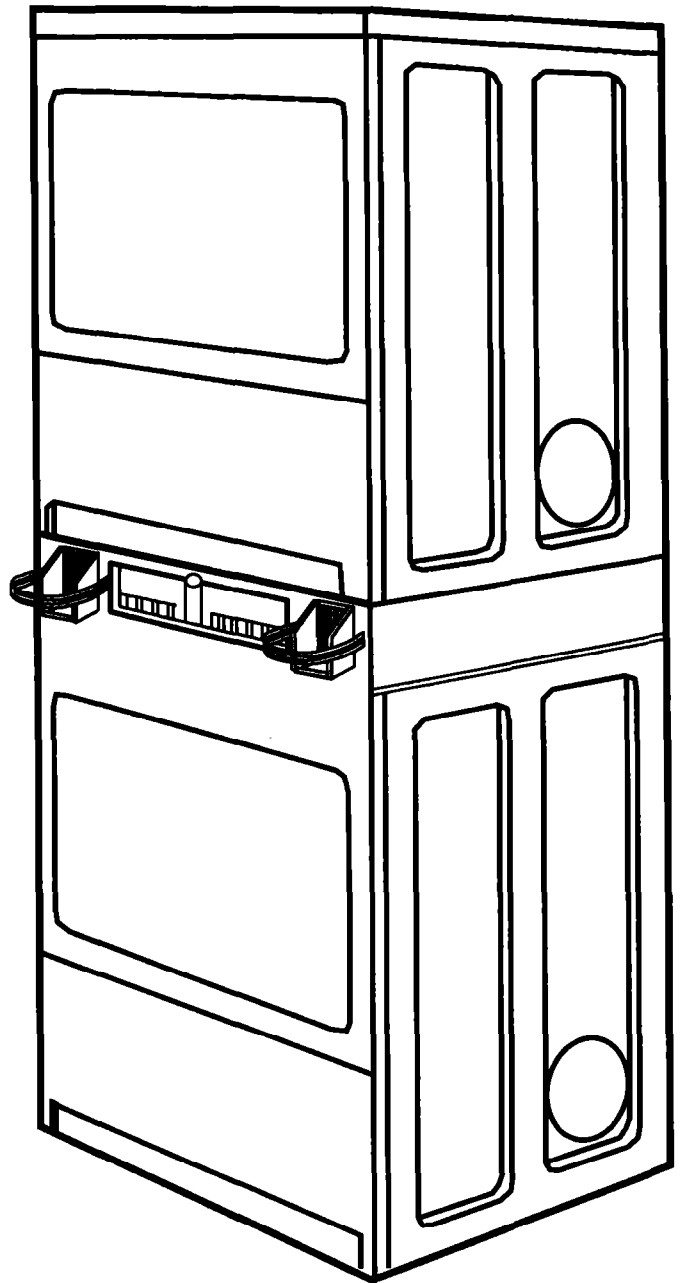
**IMPORTANT:  
Read and save  
these instructions.**

**Important:**

**Read** these instructions before you start to install the dryer.

**Save** Installation Instructions for local electrical inspector's use.

**Keep** Installation Instructions for future reference.



9-95

Part No. 3402327

## Before you start...

**Check location** where dryers will be used. Proper installation is your responsibility. The dryer must not be installed or stored in an area where it will be exposed to water and/or weather. Make sure you have everything necessary for correct installation.

Each of the dryers is equipped with a timer, selector switches and indicator lights. The timers are set to provide 45 minutes (4 pins) of drying time when activated by the coin slide. Timer cams for 30-minute (6 pins) and 60-minute (3 pins) drying time are supplied with the unit in the parts bag. See Page 7 for timer cam changing instructions.

The coin slide mechanisms, control panel lock and key, coin box, and coin box locks and keys are not included and are available from usual industry sources.

**Grounded electrical outlets** are required. See "Electrical requirements," Page 3.

### ⚠ WARNING



#### Electrical Shock Hazard

It is the customer's responsibility:  
To contact a qualified electrical installer.

To have dryers installed according to all national and local codes and ordinances.

Failure to follow these instructions could result in death or serious injury.

#### Fire Hazard

Do Not store gasoline, paint thinners, or other flammable materials near dryer. Fumes from such materials may result in fire or explosion.

Never install dryer up against draperies or curtains or on carpet. Keep any and all items from falling or collecting behind the dryer.

Replace all access panels before operating dryers.

Failure to follow these instructions could result in a fire or explosion.

#### Injury Hazard

More than one person is required to lift, tilt, or move the dryers because of their weight and size.

Failure to follow this instruction may result in injury.

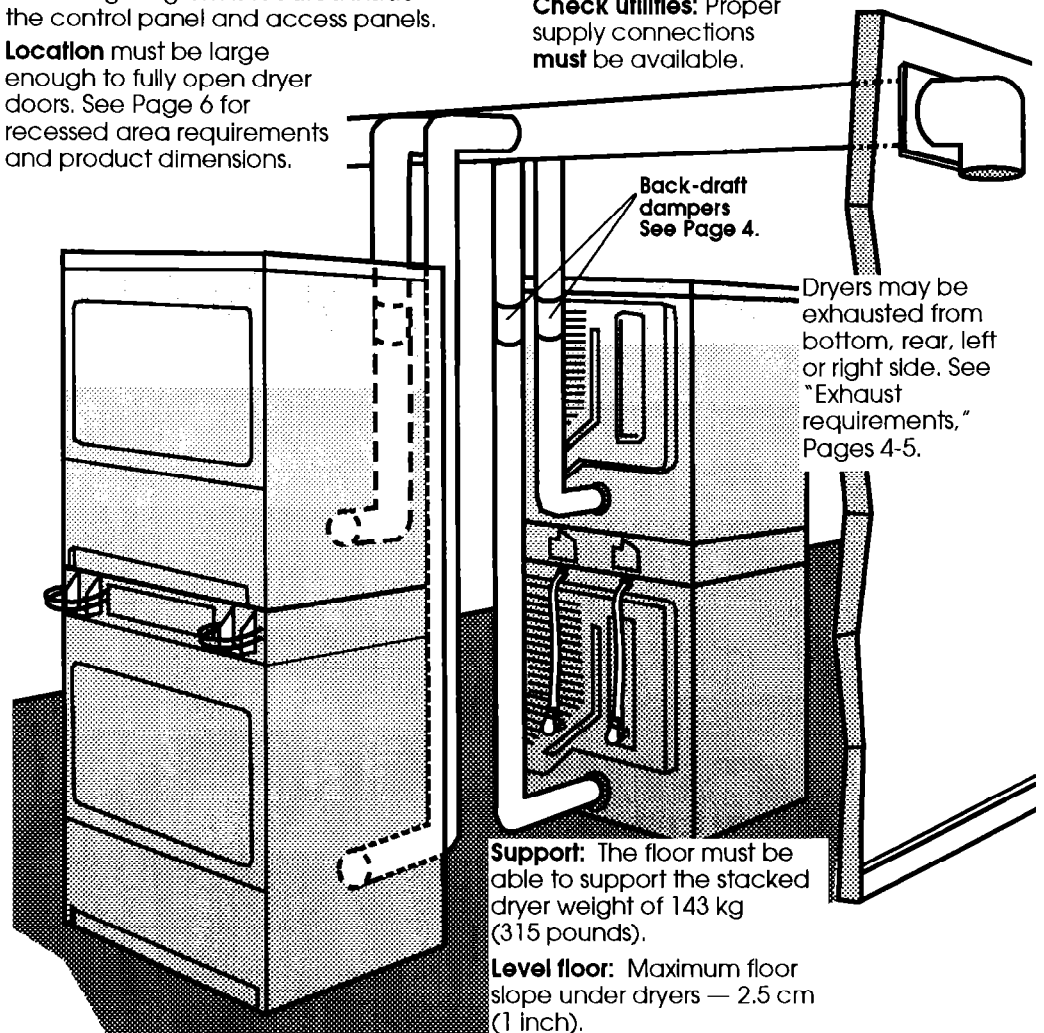
**Protection from weather:** Proper operation requires temperatures above 7°C (45°F).

The wiring diagram is located inside the control panel and access panels.

**Location** must be large enough to fully open dryer doors. See Page 6 for recessed area requirements and product dimensions.

**Important: Observe all governing codes and ordinances.**

**Check utilities:** Proper supply connections **must** be available.



## Tools needed for installation:

adjustable wrench	gloves
utility knife	safety glasses
Phillips screwdriver	level
flat-blade screwdriver	pliers
	duct tape

## Parts supplied for installation:

2 slide protectors	8 screws
2 slide extensions	2, 30-minute cams
2 bolt and washer assemblies	2, 60-minute cams
	4, 3/4" wood screws

## Parts owner must supply:

1 control panel lock and key  
2 coin vaults and keys  
E.S.D. vault must have projecting lock  
2 coin slide mechanisms (vertical 8)

Parts may be ordered from:

- Greenwald Industries, Inc.  
1340 Metropolitan Avenue  
Brooklyn, NY 11237  
telephone (718) 821-9000 or  
toll free (800) 221-0982  
fax (718) 417-7412
- Equipment Systems and Devices, Inc.  
270 New Jersey Dr.  
Fort Washington, PA 19034  
telephone (215) 628-0860 or  
toll free (800) 523-1510  
fax (215) 643-4623
- Monarch  
P.O. Box 427  
105-115 East Fourth St.  
Covington, KY 41011

# Electrical requirements

## ⚠ WARNING



**Electrical Shock Hazard**  
Electrical ground is required for dryers.

**Do Not ground to a gas pipe.**

**Check with a qualified electrician if you are not sure dryers are properly grounded.**

**Do Not change the power supply cord plugs. If plugs will not fit the outlets, have proper outlets installed by a qualified electrician.**

**Do Not use an extension cord with this appliance. Such use may result in a fire, electrical shock or other personal injury.**

**Do Not have a fuse in the neutral or grounding circuit. A fuse in the neutral or grounding circuit could result in electrical shock.**

**Failure to follow these instructions could result in death or serious injury.**

If codes permit and a separate grounding wire is used, it is recommended that a qualified electrician determine that the grounding path is adequate.

**OBSERVE ALL GOVERNING CODES AND ORDINANCES.**

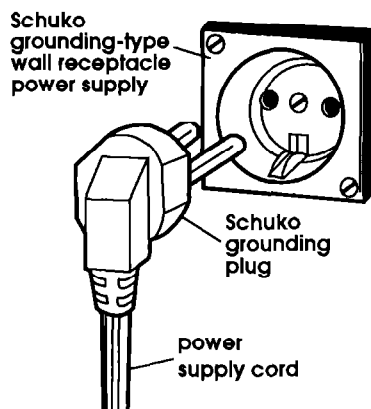
A three-wire, single-phase, 230-volt, 50-Hz, AC-only, electrical supply is required on a separate, 30-ampere circuit, fused on both sides of the line for each dryer. Time-delay fuse or circuit breaker is recommended.

This appliance **must** be connected to copper wire only.

The wiring diagram is located inside the control panel and access panels.

## Recommended grounding method

For your personal safety, this appliance must be grounded. This appliance is equipped with a power supply cord having a grounding plug. To minimize possible shock hazard, the cord must be plugged into a mating grounding-type wall receptacle, grounded in accordance with all local codes and ordinances. If a mating wall receptacle is not available, it is the personal responsibility and obligation of the customer to have a properly grounded wall receptacle installed by a qualified electrician.



This appliance is manufactured with the neutral terminal connected to the cabinet.

## To connect a separate grounding wire —

Use grounding wire and clamp assembly (Part No. 685463) or No.-10 gauge minimum, copper grounding wire. Connect grounding wire to a grounded cold water pipe with the clamp and then to the external grounding connector on the dryers.

**Do Not ground to a gas supply pipe or hot water pipe.** Do Not connect the power supply cords to electrical power supply until the dryers are permanently grounded.

# Exhaust requirements

## ⚠ WARNING



### Fire Hazard

Do Not use non-metal, flexible duct.

Do Not use metal duct smaller than 10.2 cm (four inches) in diameter.

Do Not use exhaust hoods with metal latches.

Check that exhaust system is not longer than specified. Exhaust system longer than specified will:

- Accumulate lint.
- Shorten the life of the dryer.
- Reduce the performance, resulting in longer drying times and increased energy usage.

Failure to follow these instructions could result in a fire.

Dryers must be exhausted to outside.

Do Not exhaust dryers into a chimney, furnace cold air duct, attic or crawl space, or any other duct used for venting.

Clean the exhaust system every year.

Do Not install flexible duct in enclosed walls, ceilings or floors. Accumulated lint could result in a fire or cause moisture damage.

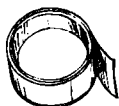
Exhaust materials are not supplied.

If using an existing exhaust system, clean lint from entire length of exhaust system. Make sure exhaust hood is not plugged with lint.

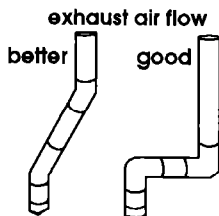
The exhaust system should be inspected and cleaned yearly.

Replace any vinyl or metallized plastic foil exhaust duct with rigid metal or flexible metal duct.

Use duct tape to seal all joints. Do Not use screws to secure duct.



10.2 cm (four-inch) metal exhaust duct is better



Metal flexible duct must be fully extended and supported when the dryers are in final position. DO NOT KINK OR CRUSH THE DUCT. The metal flexible duct must be completely open to allow adequate exhaust air to flow.

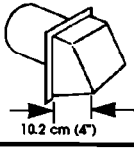
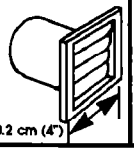
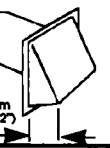
Allow as much room as possible when using elbows or making turns. Bend duct gradually to avoid kinking. Remove excess flexible duct to avoid sagging and kinking that may cause reduced airflow.

The external exhaust ducts can be routed straight out the back of the dryers. Kits are available to convert the external exhaust duct to be routed right, left or through the bottom. See Page 5. Product dimensions and recessed area requirements are given on Page 6.

**Side or bottom exhaust:** The maximum length of the exhaust system if dryer is exhausted out the side or bottom is 4.9 m (16 feet) with two external elbows and exhaust hood.

**Rear exhaust:** The maximum length of the exhaust system depends on the type of duct, the number of elbows and the type of exhaust hood. The maximum length for both rigid and flexible duct is shown in the chart.

This chart applies only to individually exhausted units.

EXHAUST HOOD TYPE			
No. of 90° turns			
	10.2 cm (4")	10.2 cm (4")	6.4 cm (2-1/2")
MAXIMUM LENGTH OF 10.2-cm (4-inch) DIAMETER RIGID METAL DUCT			
0	13.1 m (43')	12.5 m (41')	11.0 m (36')
1	10.1 m (33')	9.4 m (31')	7.9 m (26')
2	7.0 m (23')	6.4 m (21')	4.9 m (16')
MAXIMUM LENGTH OF 10.2-cm (4-inch) DIAMETER FLEXIBLE METAL DUCT			
0	9.1 m (30')	8.8 m (29')	7.3 m (24')
1	7.3 m (24')	7.0 m (23')	5.5 m (18')
2	4.9 m (16')	4.6 m (15')	3.0 m (10')

For exhaust systems not covered by the exhaust length chart, see Whirlpool Service Manual, "Exhausting Whirlpool Dryers," Part No. 603197, available from your Whirlpool parts distributor.

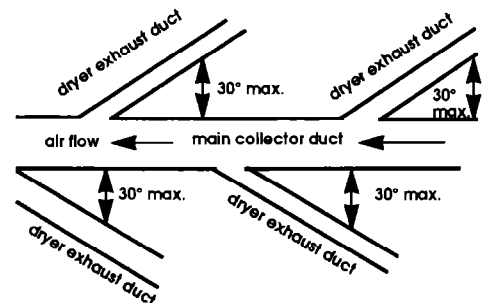
**Service check:** The back pressure in any exhaust system used must not exceed 0.6 inches of water column measured with an incline manometer at the point that the exhaust system connects to the dryers.

If dryers are installed in a confined area such as a bedroom, bathroom or closet, they must be exhausted to the outside and provision must be made for enough air for combustion and ventilation. (Check governing codes and ordinances. Also refer to the "Recessed area and closet installation instructions," Page 6.)

An exhaust hood should cap the exhaust duct to prevent exhausted air from returning into the dryers. The outlet hood must be at least 30.5 cm (12 inches) from the ground or any object that may be in the path of the exhaust.

10.2 cm (four-inch) exhaust hood is preferred. However, a 6.4-cm (2-1/2-inch) outlet exhaust hood may be used. (A 6.4-cm (2-1/2-inch) outlet creates greater back pressure than other hoods.)

A main exhaust duct can be used for exhausting a group of dryers. Main exhaust duct should be sized to remove 18.6 CCM (200 CFM) of air per dryer. Large-capacity lint screens of proper design may be used in the main exhaust duct if checked and cleaned frequently. The room where the dryers are located should have make-up air equal to or greater than the CFM of all the dryers in the room.



Back-draft damper kits (Part No. 3391910) are available from your Whirlpool dealer and should be installed in each dryer's exhaust duct to prevent exhausted air from returning into the dryers and to keep the exhaust balance within the main exhaust duct. Unobstructed air openings are required.

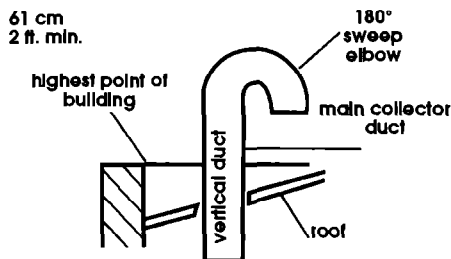
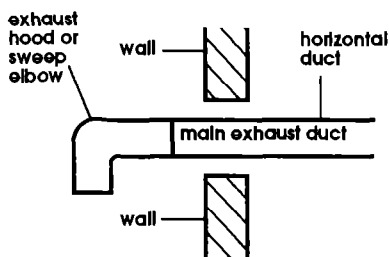
Each exhaust duct should enter the main duct at an angle pointing in the direction of the airflow. Ducts entering from the opposite side should be staggered to reduce the exhausted air from interfering with the other ducts.

The maximum angle of each duct entering the main duct should be no more than 30°.

Keep air openings free of dry-cleaning fluid fumes. Fumes create acids which, when drawn through the dryer heating units, can damage dryers and clothes being dried.

A **clean-out cover** should be located on the main exhaust duct for periodically cleaning the exhaust system.

An **exhaust hood** should cap the outside end of the main duct to prevent exhausted air from returning into the dryers. If an exhaust hood cannot be used, the outside end of the main duct should have a sweep elbow directed downward. If the main duct travels vertically through the roof rather than through the wall, install 180° sweep elbow on the end of duct at least 61 cm (2 feet) above the highest part of the building. The wall or roof opening should have a diameter 1.3 cm (1/2 inch) larger than the exhaust duct diameter. The exhaust duct should be centered in the opening.



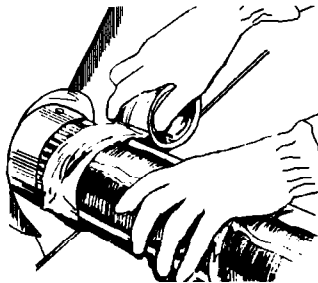
**Do Not** install screening cap over end of duct.

## Exhaust duct connection

Determine which direction you need to attach the exhaust ducts to the dryers. Both dryers can be exhausted straight out the back or from the right or left side. The lower dryer can also be exhausted through the bottom.

Next, determine the length of exhaust duct you will need to connect the dryers to exhaust hoods or the main exhaust.

### To connect exhaust duct straight out the back —



Attach exhaust duct to each dryer duct. Then connect exhaust ducts to exhaust hoods or main exhaust. Use duct tape to seal all joints.

### To connect exhaust duct to the right, left or bottom —

Use one of the following kits to convert dryers. Follow kit instructions to avoid operating problems.

Exhaust Kit No. 279818 (White)

Exhaust Kit No. 279819 (Almond)

# Recessed area and closet installations

## ⚠ WARNING



### Fire Hazard

Dryers **MUST** be exhausted to outside.

Do Not exhaust dryers into a chimney, furnace cold air duct, attic or crawl space, or any other duct used for venting.

Failure to follow these instructions could result in a fire.

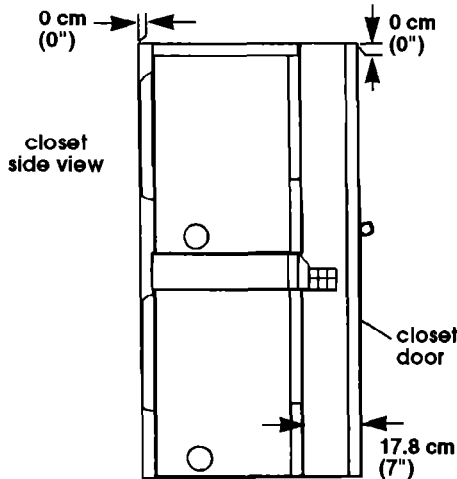
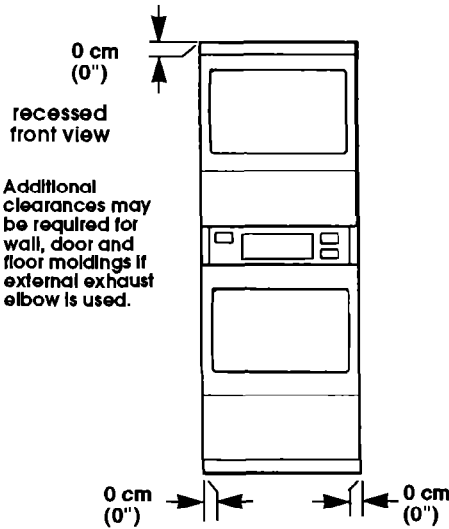
### Stacked dryers may be installed in a recessed area.

The installation spacing is in centimeters and inches and is the minimum allowable. Additional spacing should be considered for ease of installation, servicing and compliance with local codes and ordinances.

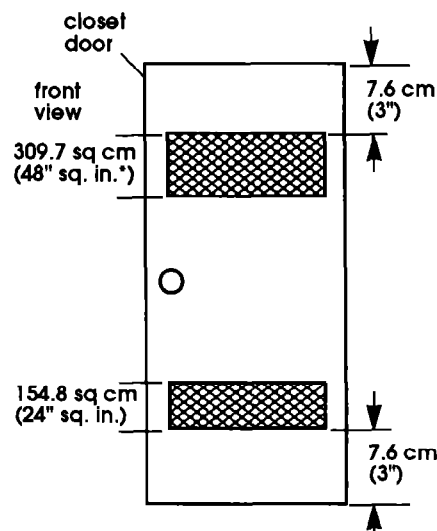
If closet door is installed, the minimum unobstructed air openings in the top and bottom are required. Door must have two centered openings as illustrated. Both openings must provide a minimum of 465 sq cm (72 square inches) of unobstructed airflow as shown. Louvered doors with equivalent air openings are acceptable.

Do Not block air flow at the bottom front of the dryers with laundry or rugs. Air flow from the bottom of dryer is needed for operating efficiency.

**FOR CLOSET INSTALLATIONS, TO PREVENT LARGE AMOUNTS OF LINT AND MOISTURE FROM ACCUMULATING, TO MAINTAIN DRYING EFFICIENCY, AND TO PREVENT EXPOSURE TO POSSIBLE HEALTH HAZARDS, DRYERS MUST BE EXHAUSTED OUTDOORS.**

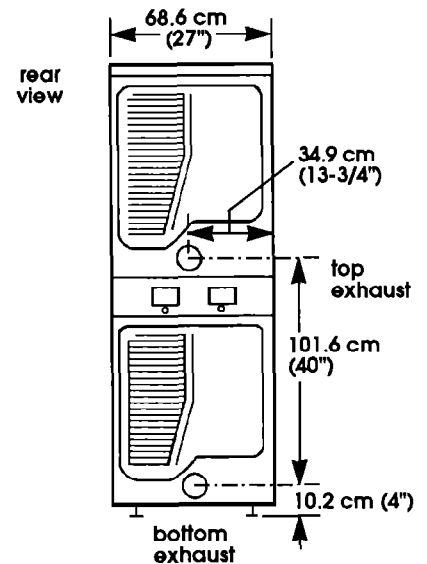
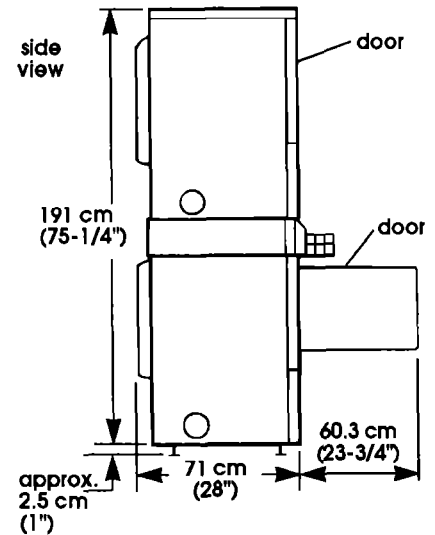


Additional space may be needed for exhaust elbow. Additional clearances for wall, door and floor moldings may be required.



Opening is minimum for closet door. Louvered door with equivalent air openings is acceptable. Companion appliance spacing should be considered.

## Product dimensions



## To change to a 30- or 60-minute timing cam

### **! WARNING**



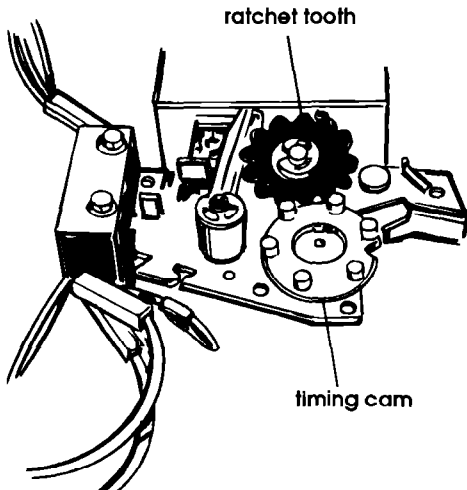
#### Electrical Shock Hazard

Disconnect both power supply cords before changing timer cams.

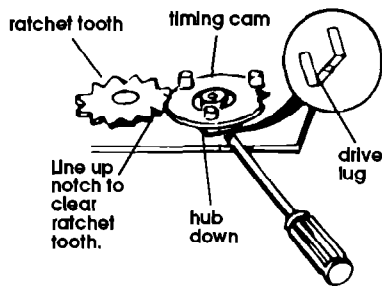
Failure to follow this instruction could result in death or serious injury.

Each dryer is equipped with a 45-minute timer cam that provides 45 minutes of drying time when activated by the coin slide. You can install the 30-minute or 60-minute timing cam (shipped with each dryer) as follows:

1. Unlock control panel. Lift up and rotate out from cabinet. Control panel will still be attached to cabinet.
2. Reach into control panel area. Use Phillips screwdriver to loosen (but not remove) timer mounting bracket screw. Lift up to remove timer assemble and bracket from cabinet.



3. Turn the timing cam by hand until the "V"-shaped notch lines up below the ratchet tooth.



4. Insert a narrow, flat-blade screwdriver under the timing cam near the clock shaft. Gently lift cam straight up and off shaft making sure that the "V"-shaped notch clears the ratchet tooth.
5. Place new cam (hub side down) over clock shaft. Line up flat side of shaft with flat side of cam hole. Check that drive lug is in place.
6. Turn cam until "V"-shaped notch lines up with ratchet tooth.
7. Press cam down in place on motor shaft. Make sure that "V"-shaped notch clears the ratchet tooth.
8. Reattach the timer bracket assembly; then tighten the screws.
9. Repeat steps for other timer.
10. Close and lock the control panel.

## Now start...

With dryers in laundry area.

### 1.

Put on safety glasses and gloves. Check that each leg is approximately 2.5 cm (1 inch) from base.

### 2.

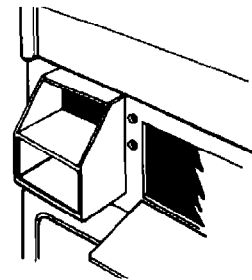
Wipe the interior of the drums thoroughly with a damp cloth.

### 3.

Install coin vaults and locks (not supplied) into meter case openings.

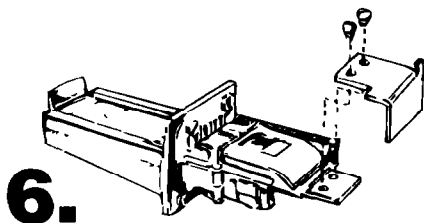
### 4.

Install control panel lock and key (not supplied).

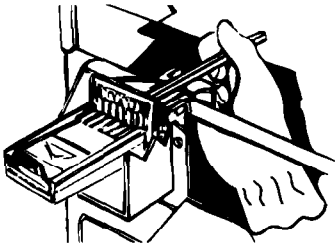


### 5.

If you wish to change the 45-minute dryer timing cams to either 30- or 60-minute timing cams, see "To change to a 30- or 60-minute timing cam," Page 7. Complete all of the steps given in that section before going to Step 6.

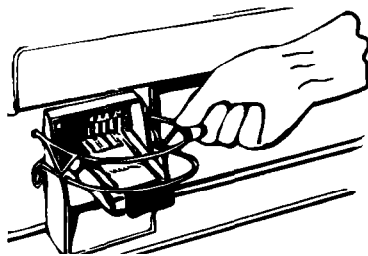


**6.** Open control panel and rest it on the bottom edge of the opening. Attach slide extension (with flange pointing down) to one of the coin-slide mechanisms. Insert the coin-slide mechanism through the opening to left of the control panel.



**7.** Secure coin slide mechanism from inside the control panel using the 3/16" bolt and washer included with the slide mechanism. Install coin box.

**8.** Repeat Steps 6 and 7 for the other coin slide mechanism. Close control panel.

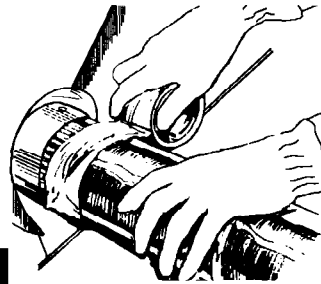


**9.** Insert top of wire guard into holes on each side of the coin slide mechanism. Insert screws through hooked ends of guard and tighten. Repeat for other wire guard.

Before moving dryers across floor, slide dryers onto cardboard or hardboard to protect floor covering.

Move dryers to their permanent location.

**10.** Check levelness of dryers by placing a carpenter's level on top of the dryers or collar, first side to side, then front to back. If dryer is not level, adjust the front legs up or down. Make the final check with the level.



**11.** To exhaust the dryers, see "Exhaust requirements" and "Exhaust duct connection," Pages 4-5.

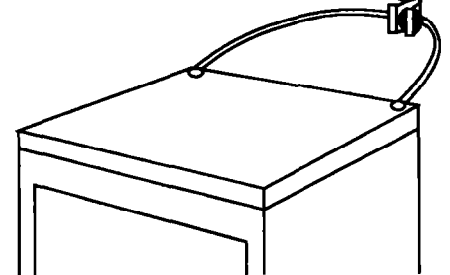
## **! WARNING**

### Injury Hazard

To prevent tipping, tether bracket must be secured to wall studs or concrete wall.

Failure to do so could result in injury.

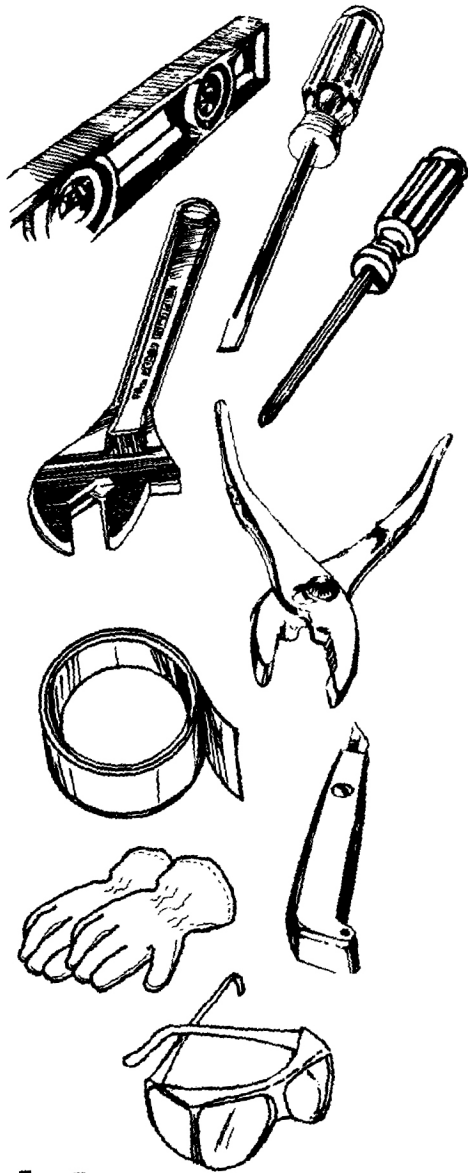
tether bracket located at rear of the top dryer



**12.** Attach both ends of tether located at the rear of the top dryer to a secured 2 x 4.

**13.** Check to see that all parts you removed from the installation parts packages are now installed in the dryers. If you have an extra part, go back through the steps to see what you skipped.





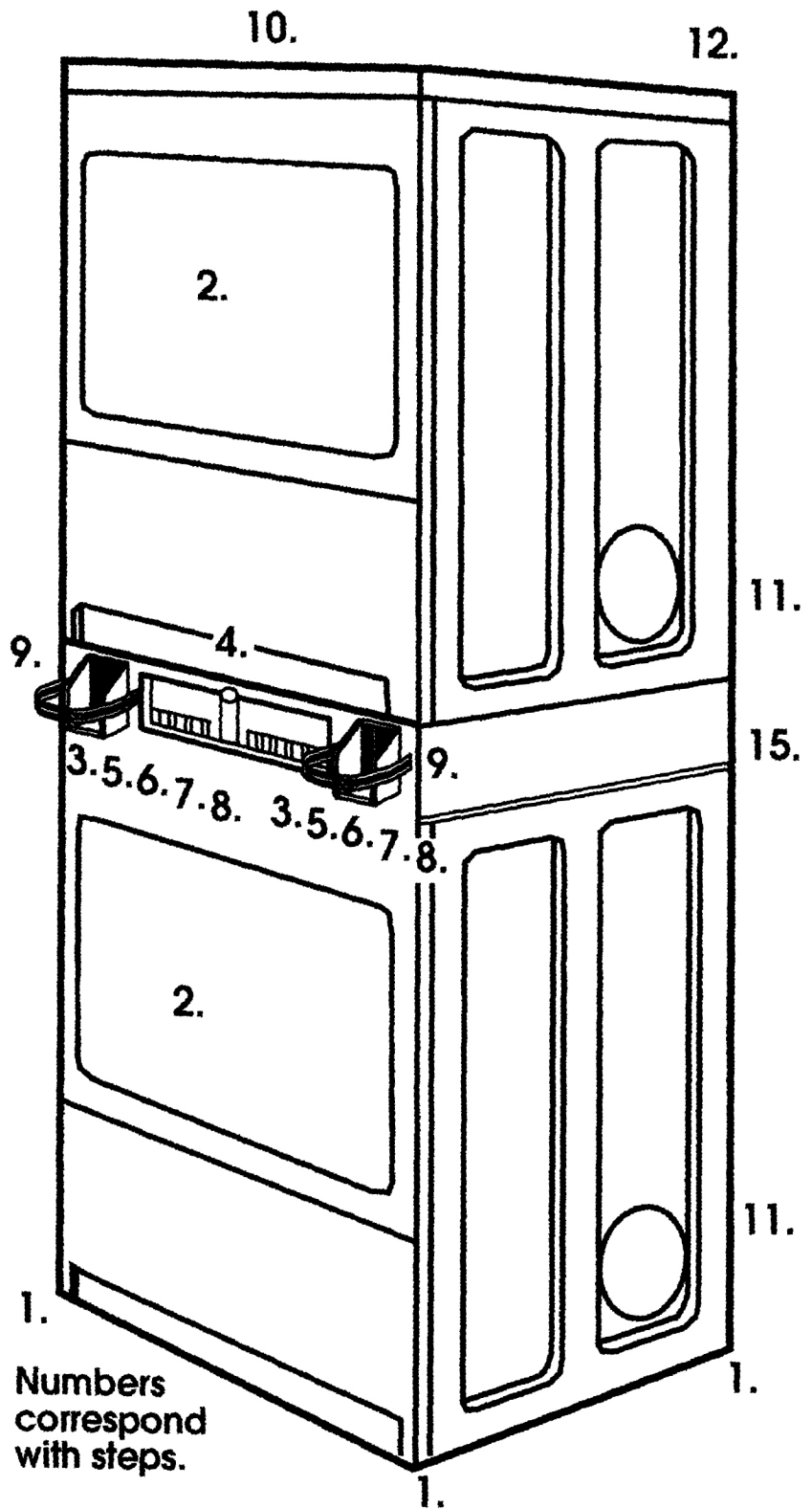
## 14.

Check to make sure you have all your tools.

## 15.

Turn on electrical power supply. Plug power supply cord into grounded outlet.

The installation of your electric dryers is now complete.



## **If dryers do not operate properly...**

Check the following to be sure that:

1. Electrical supply is connected.
2. Circuit breakers are not tripped or fuses blown.
3. Doors are closed.
4. Vend price has been satisfied.
5. Start button has been pushed.

## **Move dryers to a new location...**

**Before moving dryers across floor, slide dryers onto cardboard or hardboard to protect floor covering.**

- Shut off electrical supply to dryers.
- Disconnect power supply cords and tape securely to dryer.
- Tape the drums to the front panel.
- Tape doors to cabinet.
- Adjust leveling legs all the way in.

Before installing dryers in a new location, check with a licensed electrician to confirm that the supply voltage matches the voltage specified on the model/serial rating plate located in the door well of the dryers.

