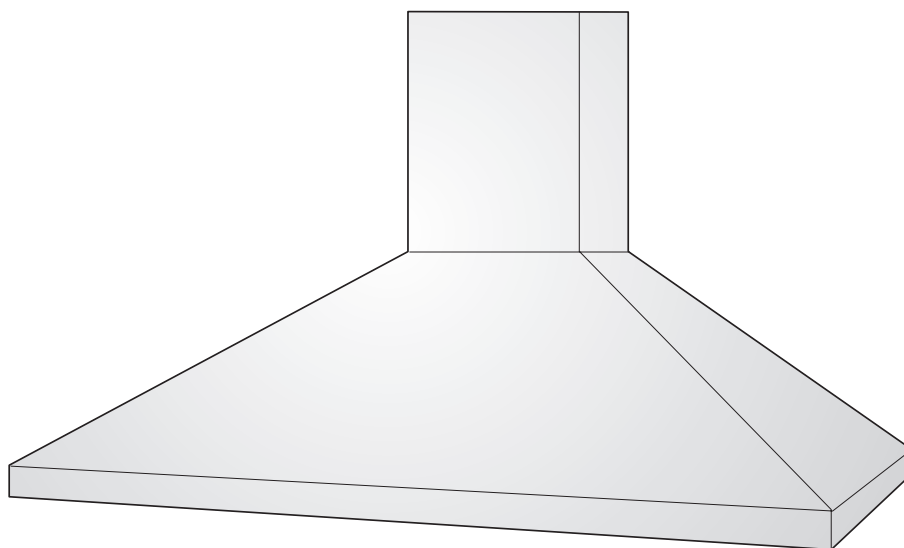




# Factory Parts Catalog

## Range Hood



PRODUCT NO.	BASE MODEL NO.	BRAND/SERIES	MARKET	COLOR
PLHV36W6CC	PLHV36W6C	Electrolux	North America	stainless steel
PRODUCT NO.	EXHAUST-CFM	VOLTAGE	OWNER'S GUIDE	INSTR. INSTR.
PLHV36W6CC	405 CFM	120	316137227	316137227
PRODUCT NO.	WIRING DIAGRAM	PRODUCTION DATE		
PLHV36W6CC	5995397790	2004		

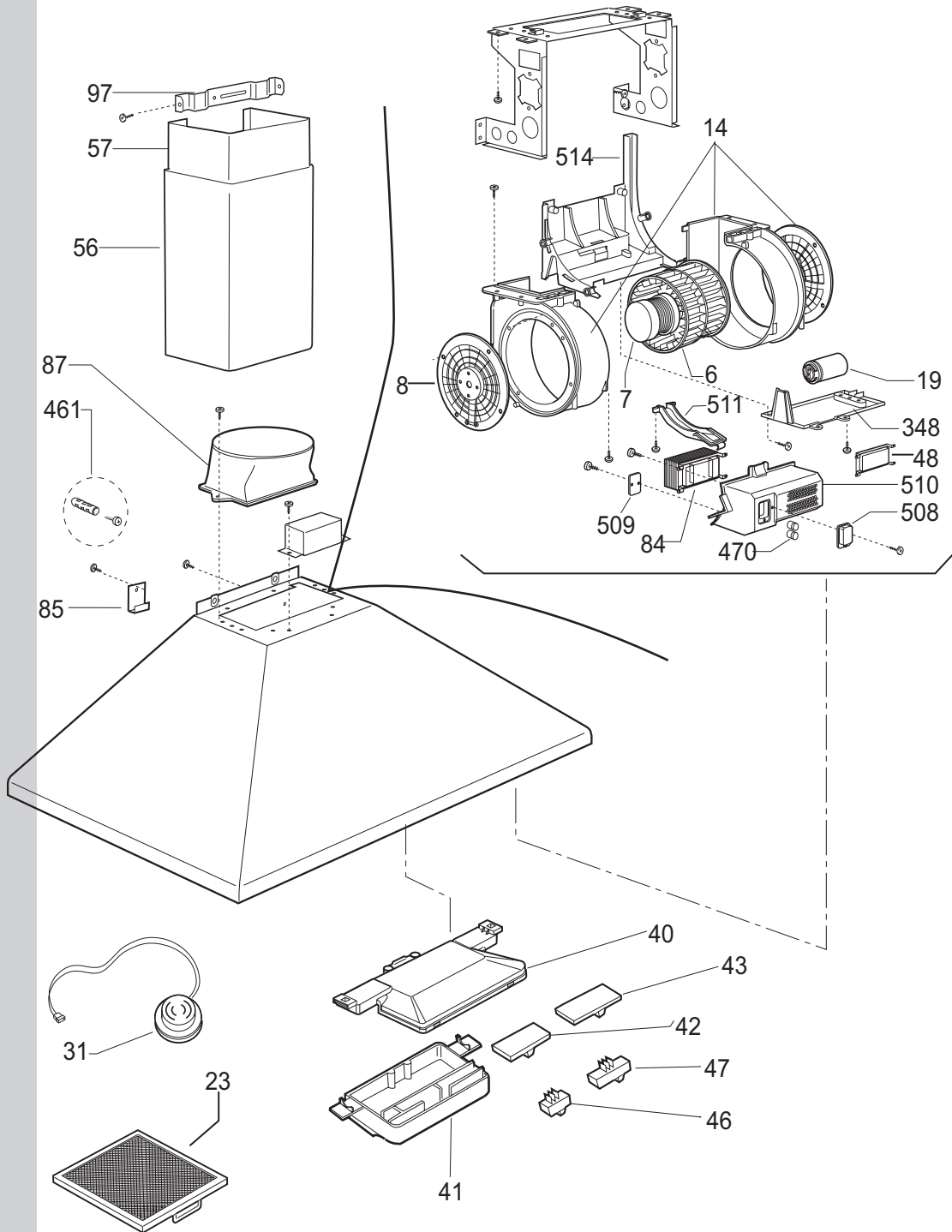
 **Electrolux**

ELECTROLUX HOME PRODUCTS, INC.  
P.O. Box 212378, Augusta, GA 30917

Publication No.  
5995397790

031022  
-EN/SERVICE /KC  
099

REPLACEMENT PARTS



**Exploded No. \$1349**

## REPLACEMENT PARTS

POS. NO	PART NO	DESCRIPTION
6 #	5304425236	Blower Wheel,fan
7 #	5304425237	Motor,blower fan
8	5304425238	Support,motor
14	5304425239	Housing,blower fan
19 #	5304425240	Capacitor,12.5 microfarad
23 #	5304425241	Filter,grease ,aluminum ,washable
31 #	5304425242	Lamp Assy,halogen G4 base,20 W,12 V, w/holder,cover
40	5304435617	Control Box
41	5304425244	Control Panel
42	5304425245	Actuator,lamp key
43	5304425246	Actuator,motor key
46 #	5304425247	Switch,light ,sliding
47 #	5304425248	Switch,fan motor ,sliding
48 #	5304425249	Control Board,printed circuit ,120 V
56	5304425250	Chimney,duct cover ,lower ,fixed
57	5304425251	Chimney,duct cover ,upper ,sliding
84 #	5304425252	Transformer,60 Hz ,120 V
85	5304425253	Bracket,mounting hook ,hood rear
87	5304425254	Connector,transition duct
97	5304425255	Bracket,chimney support ,ceiling/rear
348	5304425256	Cover,capacitor box
461	5304425257	Anchor Assy,drywall ,with screw
470#	5304425258	Fuse
508	5304425259	Cover,fuse
509	5304425260	Plate,fuse holder
510	5304425261	Housing,transformer box
511	5304425262	Channel,xfmr box canal
514	5304425263	Housing,capacitor box

WIRING DIAGRAM

Electrical scheme No. SE03NA

