

# AZ85H09DAC

## GE® Zoneline Single Package Vertical Heat Pump

### Dimensions and Installation Information (in inches)

#### Minimum Clearances:

##### Front

- Allow 4 inches in front of unit. When determining closet depth, note that plenum may protrude into closet up to 4 inches, depending on exterior wall depth.

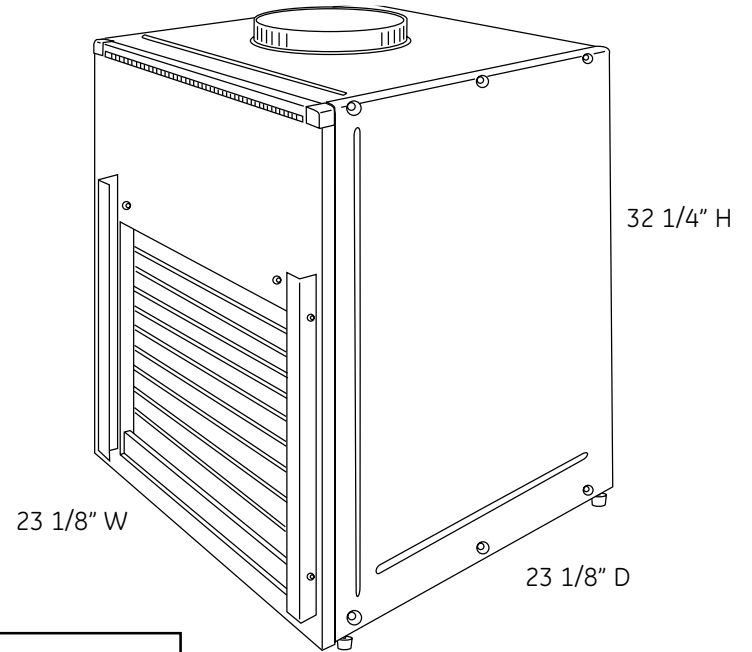
##### Sides

- Allow 3 inches on each side of unit.
- For side access closets only: Allow 5 inches clearance to front of unit and 5 in clearance on the access side.

##### Platform

- An 8"-12" (minimum) high, field-supplied platform is recommended for drain access.

| 230/208 Volt                  | Line Cord Connected Units         |                                   |                                   |
|-------------------------------|-----------------------------------|-----------------------------------|-----------------------------------|
| Power Connection Kit          | RAK3152                           | RAK3202                           | RAK3302                           |
| Heater KW                     | 2.61/2.19                         | 3.42/2.87                         | 4.81/4.07                         |
| Min. Circuit Amps             | 15                                | 20                                | 30                                |
| Recommended Protective Device | 15 Amp Time Delay Fuse or Breaker | 20 Amp Time Delay Fuse or Breaker | 30 Amp Time Delay Fuse or Breaker |



For answers to your Monogram®, GE Profile™ or GE® appliance questions, visit our website at [geappliances.com](http://geappliances.com) or call GE Answer Center® service, 800.626.2000.



imagination at work

### ZONELINE® WARRANTY\*

#### WHAT IS COVERED

##### LIMITED ONE-YEAR WARRANTY

For one year from date of original purchase, we will provide, free of charge, parts and service labor on site to repair or replace **any part of the Zoneline** that fails because of a manufacturing defect.

##### LIMITED ADDITIONAL FOUR-YEAR WARRANTY

For an additional four years from the date of original purchase, we will provide, free of charge, parts and on-site service labor to repair or replace **any part of the sealed refrigerating system** (the compressor, condenser, evaporator and all connecting tubing) that fails because of a manufacturing defect.

\*SEE WRITTEN WARRANTY FOR DETAILS

##### LIMITED 2ND THROUGH 5TH YEAR PARTS WARRANTY

For the second through the fifth year from date of original purchase, General Electric will provide, free of charge, parts that fail as a result of a manufacturing defect. Parts covered are fan motors, switches, heater, heater protectors, compressor overload, solenoids, circuit boards, auxiliary controls, thermistors, frost controls, capacitors and varistors. This is a limited parts-only warranty, and does not include labor or transportation to and from the service shop.

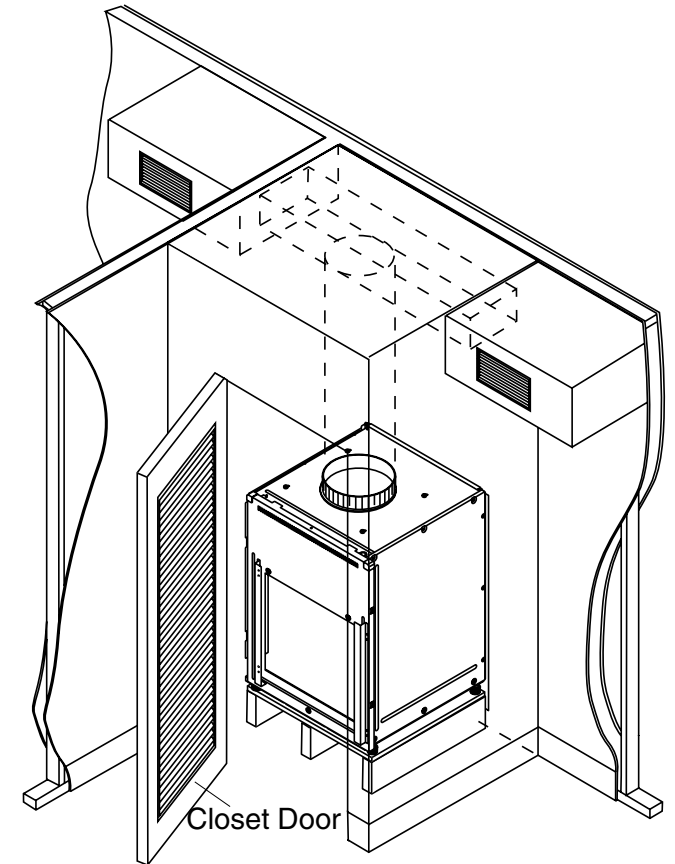
All warranty service will be provided by our Factory Service Centers or by our authorized Customer Care® servicers during normal working hours.

# AZ85H09DAC

## GE® Zoneline Single Package Vertical Heat Pump

### Features and Benefits

- 8,800/8,600 BTUH Cooling Capacity
- 8,200/8,000 BTUH Heating Capacity
- 10.5/10.5 E.E.R. (BTUH/Watt)
- 3.4/3.4 C.O.P.
- R-410A Refrigerant
- Vertical Design Optimizes Floor Space—Unique Sleeve Design Makes It Easier to Install
- Freeze Sentinel™ Protects Unoccupied Rooms Against Freeze-Up (Requires RAVRMS kit)
- Three-Way, Slide-Out Chassis with Specially Designed Case Makes Maintenance and Service Quick and Easy
- Full Corrosion Treatment on Outside Coils and Other Components is Standard



For answers to your Monogram®, GE Profile™ or GE® appliance questions, visit our website at [geappliances.com](http://geappliances.com) or call GE Answer Center® service, 800.626.2000.

