

# Use & Care

G U I D E

## Electric and Gas Dryers

A Note to You.....	2
Dryer Safety .....	3
Parts and Features .....	5
Checking Your Vent.....	6
Using Your Dryer.....	8
Starting your dryer .....	8
Loading .....	9
Selecting a cycle and temperature setting .....	9
Cycle descriptions .....	10
No Heat Fluff cycle .....	12
Using the drying rack .....	13
Caring for Your Dryer....	14
Troubleshooting .....	17
Assistance or Service...19	
Warranty .....	20

**1-800-253-1301**

Call us with questions or comments.



[www.EstateAppliances.com](http://www.EstateAppliances.com)

MODELS TEDX640E TEDS680E

3406074A

# A NOTE TO YOU

## Thank you for buying an ESTATE® appliance.

Your ESTATE dryer gives you all the functionality of name brand appliances at a value price. To ensure that you enjoy years of trouble-free operation, we developed this Use and Care Guide. It is full of valuable information about how to operate and maintain your appliance properly and safely. Please read it carefully.

Also, complete and mail the **Product Registration Card** provided with your appliance. The card helps us notify you about any new information on your appliance.

## Please record your model's information.

Whenever you call to request service for your appliance, you need to know your complete model number and serial number. You can find this information on the model and serial number label (see the diagram on the "Parts and Features" page).

Please also record the purchase date of your appliance and your dealer's name, address, and telephone number.

Model Number \_\_\_\_\_

Serial Number \_\_\_\_\_

Purchase Date \_\_\_\_\_

Dealer Name \_\_\_\_\_

Dealer Address \_\_\_\_\_

Dealer Phone \_\_\_\_\_

**Keep this book and the sales slip together in a safe place for future reference.**

**Our Consumer Assistance Center number is toll-free.**

**1-800-253-1301**

# DRYER SAFETY

## Your safety and the safety of others is very important.

We have provided many important safety messages in this manual and on your appliance. Always read and obey all safety messages.



This is the safety alert symbol.

This symbol alerts you to hazards that can kill or hurt you and others.

All safety messages will be preceded by the safety alert symbol and the word "DANGER" or "WARNING". These words mean:

**⚠ DANGER**

You will be killed or seriously injured if you don't follow instructions.

**⚠ WARNING**

You can be killed or seriously injured if you don't follow instructions.

All safety messages will identify the hazard, tell you how to reduce the chance of injury, and tell you what can happen if the instructions are not followed.

**WARNING: For your safety the information in this manual must be followed to minimize the risk of fire or explosion or to prevent property damage, personal injury or death.**

- Do not store or use gasoline or other flammable vapors and liquids in the vicinity of this or any other appliance.
- **WHAT TO DO IF YOU SMELL GAS**
  - Do not try to light any appliance.
  - Do not touch any electrical switch; do not use any phone in your building.
  - Clear the room, building or area of all occupants.
  - Immediately call your gas supplier from a neighbor's phone.  
Follow the gas supplier's instructions.
  - If you cannot reach your gas supplier, call the fire department.
- Installation and service must be performed by a qualified installer, service agency or the gas supplier.

continued on next page

**IMPORTANT SAFETY INSTRUCTIONS**

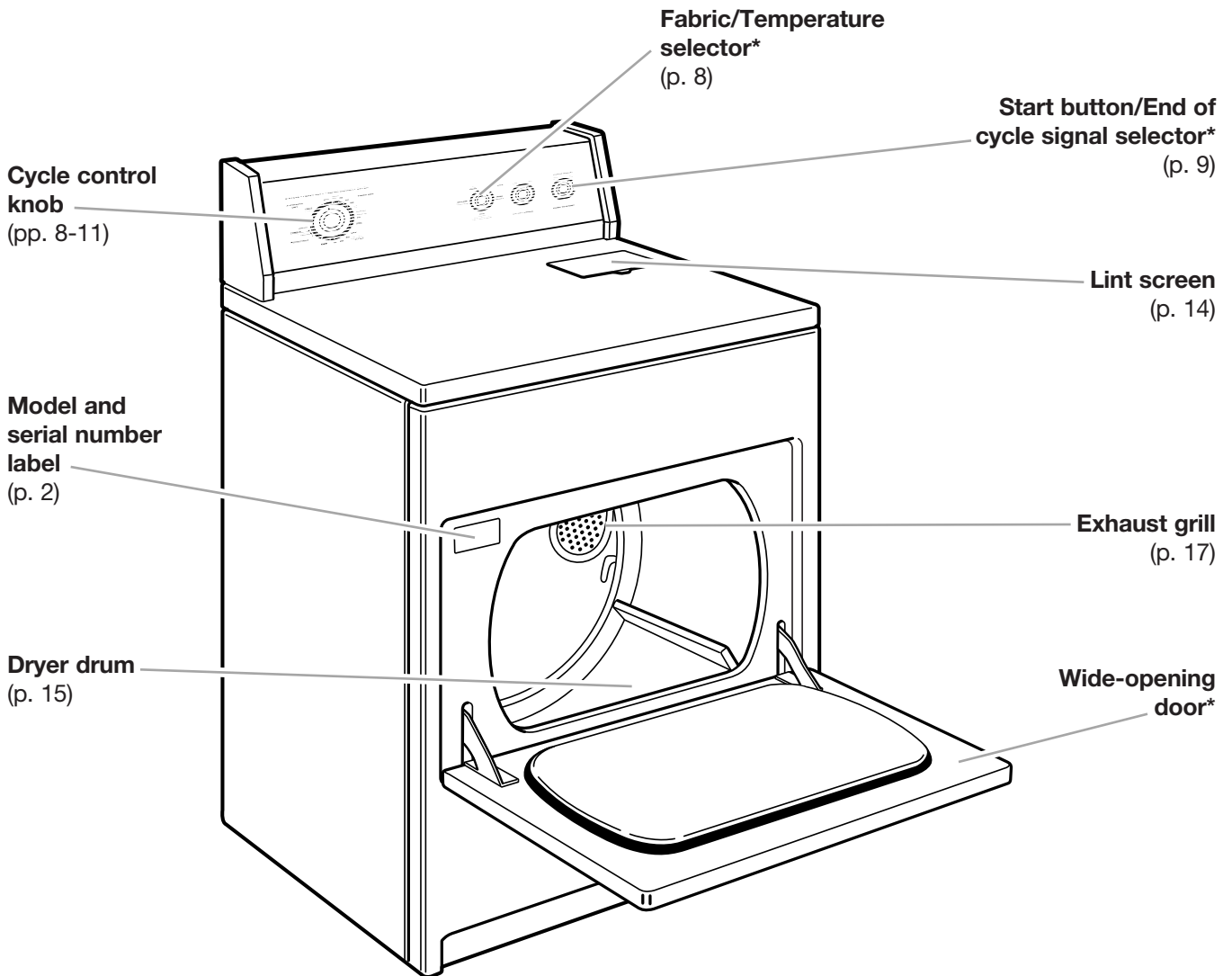
**WARNING:** To reduce the risk of fire, electric shock, or injury to persons when using the dryer, follow basic precautions, including the following:

- Read all instructions before using the dryer.
- Do not place items exposed to cooking oils in your dryer. Items contaminated with cooking oils may contribute to a chemical reaction that could cause a load to catch fire.
- Do not dry articles that have been previously cleaned in, washed in, soaked in, or spotted with gasoline, dry-cleaning solvents, other flammable, or explosive substances as they give off vapors that could ignite or explode.
- Do not allow children to play on or in the dryer. Close supervision of children is necessary when the dryer is used near children.
- Before the dryer is removed from service or discarded, remove the door to the drying compartment.
- Do not reach into the dryer if the drum is moving.
- Do not install or store the dryer where it will be exposed to the weather.
- Do not tamper with controls.
- Do not repair or replace any part of the dryer or attempt any servicing unless specifically recommended in this Use and Care Guide or in published user-repair instructions that you understand and have the skills to carry out.
- Do not use fabric softeners or products to eliminate static unless recommended by the manufacturer of the fabric softener or product.
- Do not use heat to dry articles containing foam rubber or similarly textured rubber-like materials.
- Clean lint screen before or after each load.
- Keep area around the exhaust opening and adjacent surrounding areas free from the accumulation of lint, dust, and dirt.
- The interior of the dryer and exhaust vent should be cleaned periodically by qualified service personnel.
- See Installation Instructions for grounding requirements.

**SAVE THESE INSTRUCTIONS**

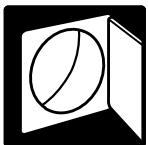
# PARTS AND FEATURES

The drawings in this book may vary from your dryer model. They are designed to show the different features of all models covered by this book. Your model may not include all features.



\*On some models

## Other doors:



Large side-swing door\*

# CHECKING YOUR VENT

Your dryer must be properly installed and vented to achieve maximum drying efficiency and shorten drying times. Use the minimum recommended installation clearances (found in your Installation Instructions) to avoid blocking the flow of combustion and ventilation air. Install your dryer in a well-ventilated room where the temperature is always above 45°F. Also make sure that your dryer is leveled. Refer to your installation Instructions for more information.

## ! WARNING



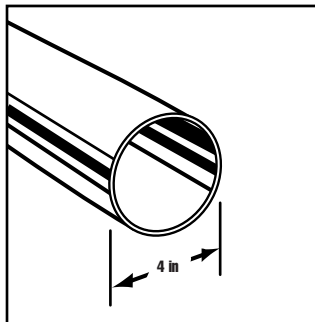
### Fire Hazard

- Use a heavy metal vent.
- Do not use a plastic vent.
- Do not use a metal foil vent.
- Failure to follow these instructions can result in death or fire.

If the dryer is not properly installed and vented, it will not be covered under the warranty.

**NOTE:** Service calls caused by improper venting will be paid for by the customer, whether it was a paid installation or self-installed. For paid installation, call the company that installed the vent for adjustment.

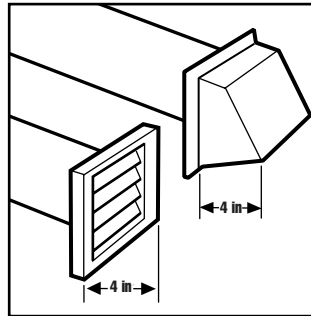
### 1. Do not use plastic vent or flexible metal foil vent.



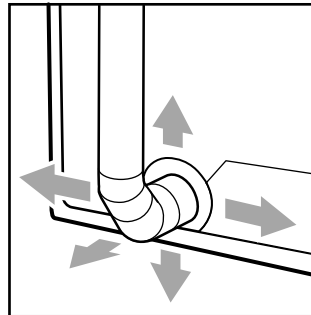
length requirements of vent.

Use 4-inch heavy metal or flexible metal vent. Do not kink or crush flexible metal vent. It must be completely extended to allow adequate exhaust air to flow. Check vent after installation. Refer to your Installation Instructions for proper

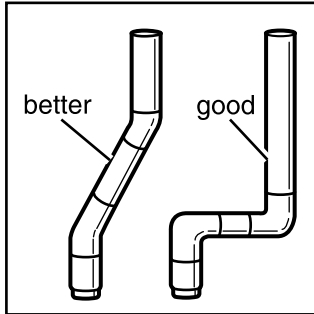
### 2. Use a 4-inch exhaust hood. Smaller hoods increase drying times.



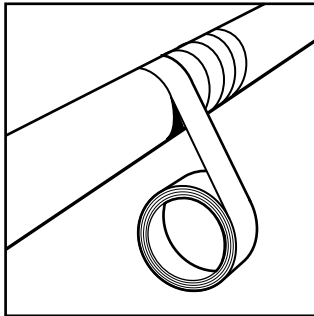
### 3. The exhaust vent can be routed up, down, left, right, or straight out the back of the dryer. Space requirements are listed in your Installation Instructions.



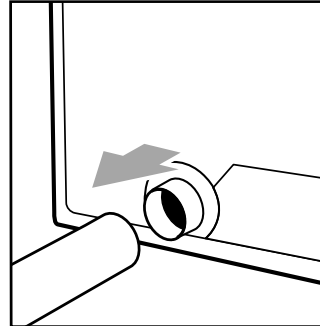
- 4.** Use the straightest path possible when routing the exhaust vent. Use the fewest number of elbows and turns. Allow room when using elbows or making turns. Bend vent gradually to avoid kinking.



- 5.** Use duct tape to seal all joints. **Do not** use screws to secure vent. Lint may catch on screws.



- 6.** Clean exhaust vent periodically, depending on use, but at least every 2 years, or when installing your dryer in a new location.



- Disconnect vent from the dryer and clean one section at a time until you reach the exhaust hood.

- Use the hose attachment on your vacuum,

or a pole or wire with a feather duster or rag attached, to clean out lint.

- Be sure the flapper on the outside end of vent moves freely.
- When cleaning is complete, be sure to follow the Installation Instructions supplied with your dryer for final product check.

# USING YOUR DRYER

## STARTING YOUR DRYER

### ⚠ WARNING



#### Explosion Hazard

Keep flammable materials and vapors, such as gasoline, away from dryer.

Do not dry anything that has ever had anything flammable on it (even after washing).

Failure to follow these instructions can result in death, explosion, or fire.

### ⚠ WARNING



#### Fire Hazard

No washer can completely remove oil.

Do not dry anything that has ever had any type of oil on it (including cooking oils).

Items containing foam, rubber, or plastic must be dried on a clothesline or by using an Air Cycle.

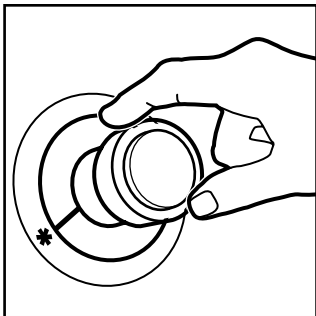
Failure to follow these instructions can result in death or fire.

Before using your dryer, wipe the dryer drum with a damp cloth to remove dust from storing and shipping.

- 1.** Load clothes loosely into the dryer and close the door. Do not pack the dryer; allow space for clothes to tumble freely.



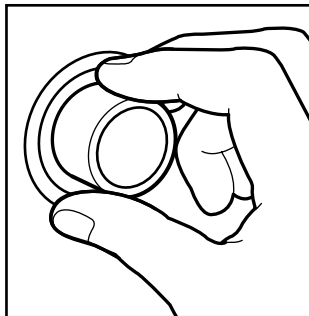
- 2.** Turn the Cycle Control knob to the recommended cycle for the type of load being dried, as described on pages 10-12.



- Use the Energy Preferred Automatic Setting (\*) to dry most heavyweight and mediumweight loads.
- On some models,

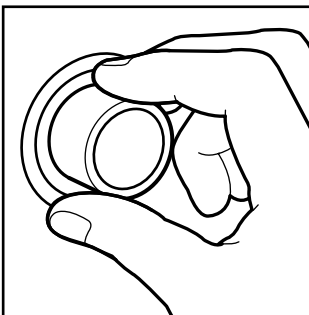
the Temperature selector is part of the Cycle Control knob.

- 3.** On models with a separate Fabric/Temp selector,



choose the recommended setting for the type of fabric being dried. The cycle descriptions on pages 10-12 include temperature setting suggestions.

- 4. (OPTIONAL STEP)** On some models, the End of Cycle Signal selector is



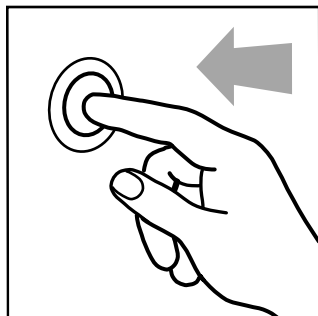
part of the Start button. Set the End of Cycle Signal selector to On if you want the dryer to sound a signal when a cycle is finished. The signal is helpful when you are drying permanent press, synthetics, and other

items that should be removed from the dryer as soon as it stops.



## STARTING YOUR DRYER (CONT.)

5. Push the Start button.



**NOTE:** Your dryer stops automatically when a cycle ends.

### Stopping and restarting your dryer

You can stop your dryer anytime during a cycle.

**To stop your dryer:**

Open the dryer door or turn the Cycle Control knob to Off.

**NOTE:** The Cycle Control knob should point to an Off area when the dryer is not in use.

**To restart your dryer:**

Close the door, select a new cycle and temperature (if desired), and push the Start button.

## LOADING

### Loading suggestions

The chart below provides some guidelines on various types of drying loads. Load clothes loosely into the dryer. Do not pack the dryer; allow space for clothes to tumble freely.

Heavy Work Clothes	Delicates	Towels	Mixed Load
3 pair pants	3 camisoles	10 bath towels	3 double sheets
3 shirts	1 quilted robe	10 hand towels	4 pillowcases
4 pair jeans	4 slips	14 wash cloths	8 T-shirts
1 coverall	4 panties	1 bath mat	6 pair shorts
1 overall	2 bras		2 shirts
	2 nighties		2 blouses
	1 baby's dress		8 handkerchiefs

## SELECTING A CYCLE AND TEMPERATURE SETTING

The following pages describe the drying cycles on your dryer. The descriptions include suggested temperature settings and drying times for various loads.

### Cycle and temperature tips

- Use the No Heat Fluff cycle, or line dry rubber, plastic, delicate, and heat-sensitive fabrics (see page 12).
- If some types of loads in the cycle descriptions have more than one suggested temperature setting, choose the lowest setting available on your dryer.
- The last few minutes of all cycles are without heat to make the load cooler to handle.

### Drying tips

- Make sure you have selected the correct cycle and temperature for your load.
- Always follow care label directions when they are available.
- Always use fabric softener sheets labeled as dryer safe and follow package instructions carefully.
- Remove the load from the dryer as soon as tumbling stops to reduce wrinkling. This is especially important for permanent press, knits, and synthetic fabrics.

## CYCLE DESCRIPTIONS

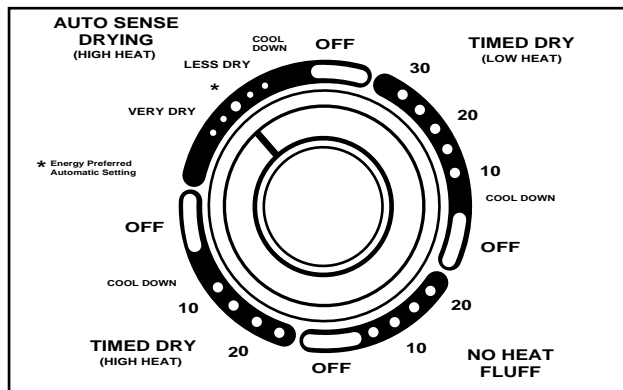
The following pages describe the cycles on your dryer. Refer to these pages for help in selecting drying cycles and temperatures.

The Cycle Control knob does not move until the load is almost dry. After the cool-down, the knob automatically turns to an Off area and tumbling stops.

- Dry most loads using the Energy Preferred Automatic Setting (\*).

- If the load is drier than you like, select a setting closer to **Less Dry** the next time you dry a similar load.
- If the load is not as dry as you like, complete drying using the Timed Dry cycle. Select a setting closer to **Very Dry** the next time you dry a similar load.

## MODEL TEDX640E



### Auto Sense Drying (Automatic cycle)

The Auto Sense Drying cycle uses the Energy Preferred Automatic Setting (\*). Use this high heat cycle for drying heavyweight and mediumweight:

- Cotton items, such as towels, linens, bedspreads, work clothes, blue jeans, and corduroys.
- Permanent Press, synthetics, and blends, such as jackets, shirts, slacks, and play clothes.
- Knits, such as cottons, rayons, blends, T-shirts, slacks, and shirts.

### Timed Dry cycles

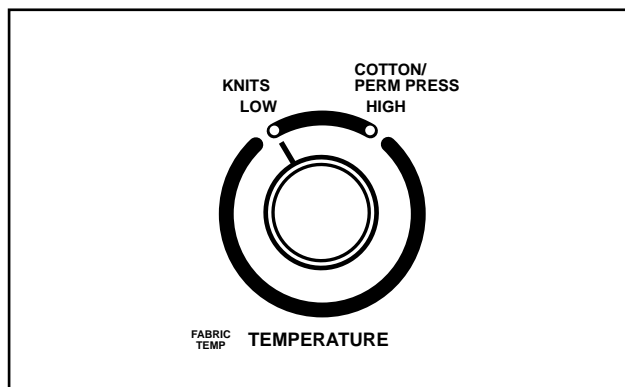
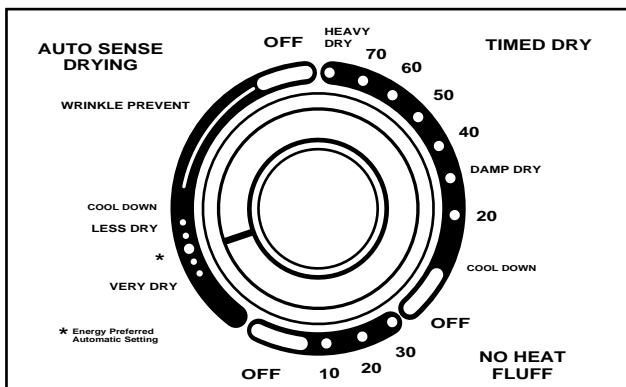
Use one of the Timed Dry cycles to complete drying if some items are damp after Auto Sense Drying. The high heat and low heat Timed Dry cycles are also useful for:

- Heavyweight and bulky items, such as bedspreads and work clothes, and large loads that require a long drying time. Set your Cycle Control knob to **High heat** for 50-70 minutes. (Reset knob as necessary for the time required.)
- Lightweight items, such as lingerie, blouses, and knits that require a short drying time. Set your Cycle Control knob to **Low heat** for 20-30 minutes.

### No Heat Fluff

Use the unheated No Heat Fluff cycle for items that require drying without heat. The chart on page 12 includes examples of items that require drying without heat.

# MODEL TEDS680E



## Auto Sense Drying (Automatic cycle)

The Auto Sense Drying cycle uses the Energy Preferred Automatic Setting (\*). Use this cycle for drying heavyweight and mediumweight:

- Cotton items, such as towels, linens, bedspreads, work clothes, blue jeans, and corduroys. Set your **Fabric/Temp** selector to Cotton/Perm Press, High.
- Permanent Press, synthetics, and blends, such as jackets, shirts, slacks, and play clothes. Set your **Fabric/Temp** selector to Cotton/Perm Press, High.
- Knits, such as cottons, rayons, blends, T-shirts, slacks, and shirts. Set your your **Fabric/Temp** selector to Knits, Low.
- This cycle also includes the Wrinkle Prevent feature, which protects your clothing from wrinkles if you are unable to unload the dryer within 5 minutes after tumbling stops. The Wrinkle Prevent feature tumbles the load every few minutes up to 40 minutes after the cycle ends.

## Timed Dry cycle

Use the Timed Dry cycle to complete drying if some items are damp after automatic drying. The Timed Dry cycle is also useful for:

- Heavyweight and bulky items, such as bedspreads and work clothes, and large loads that require a long drying time. Set your **Fabric/Temp** selector to Cotton/Perm Press, High, and your Cycle Control Knob to Heavy Dry.
- Lightweight items, such as lingerie, blouses, and knits that require a short drying time. Set your **Fabric/Temp** selector to Knits, Low, and your Cycle Control Knob for 20-30 minutes.
- The Timed Dry cycle also includes a Damp Dry feature, to dry items to damp level or to dry items that do not require an entire drying cycle. Examples are heavy cottons, such as jeans, which you do not want to become stiff, or cotton clothes that are easier to press when damp. Set your **Fabric/Temp** selector to Cotton/Perm Press, High.

## No Heat Fluff

Use the unheated No Heat Fluff cycle for items that require drying without heat. The chart on page 12 includes examples of items that require drying without heat.

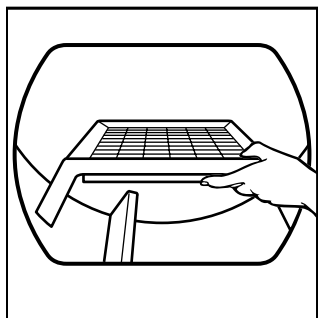


# USING THE DRYING RACK

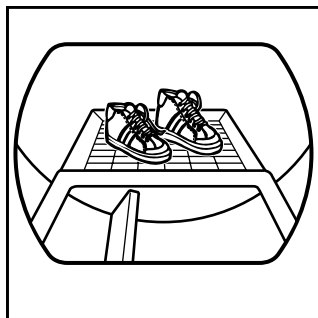
Your dryer may include a drying rack. If your model doesn't include one, you can order a drying rack by calling **1-800-253-1301**, from anywhere in the U.S.A. You will hear a recording. Follow the instructions to place an order.

The drying rack lets you dry items without tumbling them. The rack does not move, but the drum turns.

- 1.** Fit rear legs of the rack into spaces in the back wall of the dryer. Lower the front so the legs rest on the dryer opening.



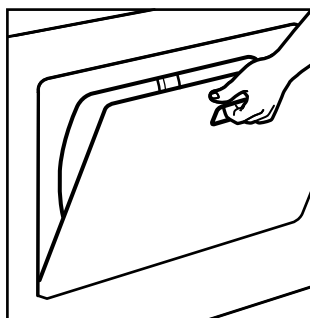
- 2.** Put wet items on top of the rack. Leave space between the items so air can reach all surfaces.



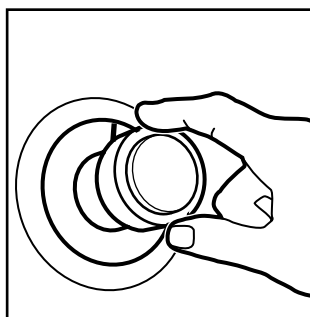
● See chart below for suggested cycles and settings for items that might best be rack dried. Drying time will depend on amount of moisture items hold.

**NOTE:** Make sure nothing hangs over the edge of the rack.

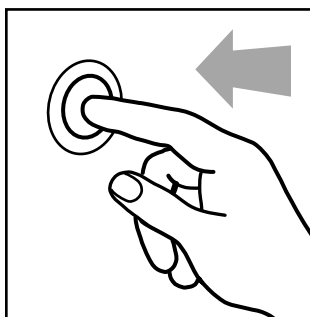
- 3.** Close the door.



- 4.** Select the Timed Dry cycle and temperature, or the No Heat Fluff cycle.



- 5.** Push the Start button.



**NOTE:** The rack must be removed for normal tumbling. Auto Sense Drying cycles do not work with the drying rack.

RACK DRY	CYCLE	TEMPERATURE	TIME* (minutes)
<b>Wool sweaters</b> (Block to shape and lay flat on the rack)	Timed Dry	Low	60
<b>Stuffed toys or pillows</b> (Cotton or polyester fiber filled)	Timed Dry	Low	60
<b>Stuffed toys or pillows</b> (Foam rubber filled)	No Heat Fluff	None; cycle is unheated.	90
<b>Sneakers or canvas shoes</b>	No Heat Fluff	None; cycle is unheated.	30-40

\*Reset cycle as needed to complete drying.

# CARING FOR YOUR DRYER

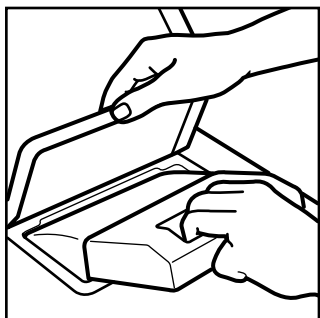
## CLEANING THE LINT SCREEN

### Every load cleaning

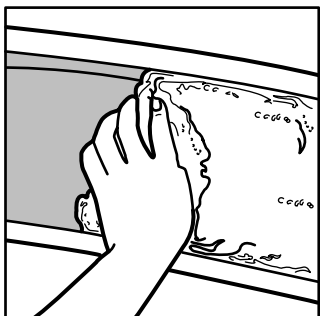
The lint screen is located under a lid on top of the dryer. **Clean it before starting each load.** A screen blocked by lint can increase drying time.

#### To clean:

1. Open the lid and pull the lint screen towards you.



2. Roll lint off the screen with your fingers. Do not rinse or wash screen to remove lint. Wet lint is hard to remove.



3. Push the lint screen firmly back into place and close the lid.

#### IMPORTANT:

- Do not run the dryer with the lint screen loose, damaged, blocked, or missing. Doing so can cause overheating and damage to both the dryer and fabrics.
- Some towels made of synthetic fibers and natural fibers (polyester and cotton blends) may shed more lint than other towels, causing your dryer's lint screen to fill up faster. Be sure to remove lint from the lint screen before and after drying new towels.
- If lint falls off the screen during removal and into the dryer, check the exhaust hood and remove the lint (see "Checking Your Vent").

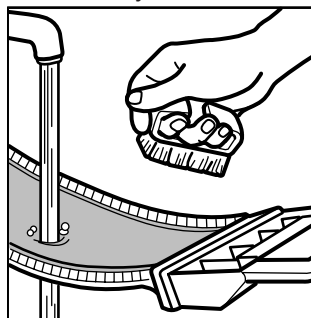
### As needed cleaning

Laundry detergents and fabric softeners can cause a residue buildup on the lint screen. This buildup can cause longer drying times for your clothes, or cause the dryer to stop before your load is completely dry. You may be able to see this buildup, or the lint may be falling off the screen because it is clogged.

Clean the lint screen with a nylon brush every six months or more frequently if it becomes clogged due to a residue buildup.

#### Use the following method:

1. Wet both sides of lint screen with hot water.
2. Wet a nylon brush with hot water and liquid detergent; scrub lint screen with the brush to remove residue buildup.



detergent; scrub lint screen with the brush to remove residue buildup.

3. Rinse screen with hot water.
4. Thoroughly dry lint screen with a clean towel; replace in dryer.

## LINT SIGNAL

On some models, there may be a lint signal (a whistle tone) which indicates excessive lint is present on your lint screen or it has a residue buildup.



See page 14. A full lint screen restricts airflow and reduces drying efficiency.

When you hear the signal, stop the dryer and clean the lint screen.

**NOTE:** Clean your lint screen before each load. Do not wait for the lint signal.

## CLEANING THE DRYER INTERIOR

Garments which contain unstable dyes, such as denim blue jeans or brightly colored cotton items, may discolor the dryer interior. These stains are not harmful to your dryer and will not stain future loads of clothes. It is helpful to dry unstable dye items inside out to prevent dye transfer.

### To clean dryer drum:

1. Make a paste with powdered laundry detergent and very warm water.
2. Apply paste to a soft cloth.

### OR

Apply a liquid, non-flammable household cleaner to the stained area and rub with a soft cloth until all excess dye is removed.



3. Wipe drum thoroughly with a damp cloth.
4. Tumble a load of clean cloths or towels to dry drum.

## ! WARNING



### Explosion Hazard

**Use nonflammable cleaner.**

**Failure to do so can result in death, explosion, or fire.**

## REMOVING ACCUMULATED LINT FROM INSIDE THE DRYER CABINET

Lint can gather inside the dryer and be a fuel for fire. Lint should be removed every 2 years, or more often, depending on dryer usage. Cleaning should be done by a qualified person.

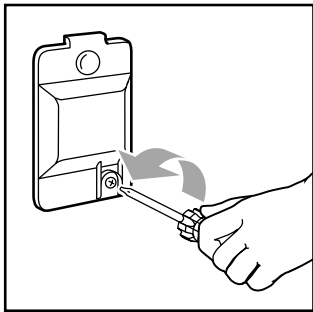
## CHANGING THE DRUM LIGHT

The dryer light automatically turns on inside the dryer drum when you open the door. See instructions below to change your drum light.

### To change drum light:

**1.** Unplug the dryer or disconnect the electricity leading to the dryer at the main power supply.

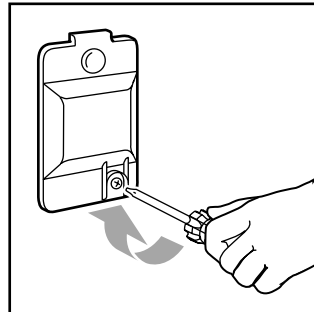
**2.** Open the dryer door. Remove the light bulb cover from the back wall of the dryer by removing the screw located in the lower right corner of the cover.



**3.** Remove the light bulb by turning it counterclockwise.

**4.** Replace the bulb with a 10-watt appliance bulb only.

**5.** Replace the light bulb cover.



**6.** Reconnect power supply.



# TROUBLESHOOTING

## COMMON DRYING PROBLEMS

PROBLEM	CAUSE	SOLUTION
<b>Not drying satisfactorily</b>	<ul style="list-style-type: none"> <li>• Lint screen is clogged with lint.</li> <li>• Restricted air movement. Exhaust vent or outside exhaust hood is clogged with lint.</li> <li>• Exhaust vent is crushed or kinked.</li> <li>• One fuse is blown or circuit breaker is tripped. The dryer will appear to operate, but you will not get any heat.</li> <li>• Cycle Control knob or temperature selector is set on air dry.</li> <li>• Fabric softener sheets blocking exhaust grill.</li> <li>• Dryer located in room with temperature below 45°F.</li> <li>• Large amount of moisture in the load.</li> <li>• Cold rinse water used.</li> <li>• Load too large and bulky to dry quickly.</li> </ul>	<ul style="list-style-type: none"> <li>• Clean lint screen.</li> <li>• Run dryer for 5-10 minutes. Hold hand under outside exhaust hood to check air movement. If you do not feel air moving, clean exhaust system of lint or replace exhaust vent with heavy metal or flexible metal vent (see your Installation Instructions).</li> <li>• Replace with heavy metal or flexible metal vent (see your Installation Instructions).</li> <li>• Replace fuse or reset breaker.</li> <li>• Select the right cycle and temperature for the types of garments being dried (see "Using your Dryer").</li> <li>• Use only one softener sheet per load and only use it once.</li> <li>• Move dryer to a location with temperatures above 45°F.</li> <li>• Expect longer dry times with items that hold more moisture (cottons).</li> <li>• Expect longer dry times.</li> <li>• Separate load to tumble freely.</li> </ul>
<b>Dryer will not run</b>	<ul style="list-style-type: none"> <li>• Power cord not firmly plugged into a live circuit with proper voltage.</li> <li>• Fuses blown or circuit breakers tripped.</li> <li>• Using a regular fuse.</li> <li>• Dryer door not firmly closed.</li> <li>• Start button not firmly pressed.</li> <li>• Cycle Control knob set to Off.</li> </ul>	<ul style="list-style-type: none"> <li>• Plug power cord into a live circuit.</li> <li>• Replace fuses or reset breakers.</li> <li>• Replace with a time-delay fuse.</li> <li>• Close dryer door tightly.</li> <li>• Press Start button again.</li> <li>• Set knob to a cycle or time.</li> </ul>

## COMMON DRYING PROBLEMS (CONT.)

PROBLEM	CAUSE	SOLUTION
<b>Lint in load</b>	<ul style="list-style-type: none"> <li>• Lint screen is clogged.</li> <li>• Improper sorting.</li> <li>• Load is too big or heavy.</li> <li>• Load is overdried.</li> <li>• Paper or tissue in pockets.</li> <li>• Pilling being mistaken for lint.</li> </ul>	<ul style="list-style-type: none"> <li>• Clean lint screen. Check for air movement.</li> <li>• Sort lint givers from lint takers and sort by color.</li> <li>• Dry smaller loads so lint can be carried to the lint screen.</li> <li>• Use correct dryer settings for fabric. Overdrying can cause lint-attracting static (see “Using Your Dryer”).</li> <li>• Clean out pockets before drying.</li> <li>• Pilling (surface fuzz) is caused by normal wear and laundering.</li> </ul>
<b>Stains on load</b>	<ul style="list-style-type: none"> <li>• Improper use of fabric softener in washer.</li> <li>• Drying soiled items.</li> <li>• Overdrying</li> <li>• Poor garment quality.</li> <li>• Manufacturer’s care label instructions not followed.</li> </ul>	<ul style="list-style-type: none"> <li>• Use fabric softener sheets in dryer. Add at beginning of cycle when load is cold.</li> <li>• Items need to be clean before being dried.</li> <li>• Match dryer settings to fabric type (see “Using Your Dryer”).</li> <li>• Check quality of garment before purchasing.</li> <li>• Follow fabric care label instructions carefully.</li> </ul>
<b>Items shrinking</b>	<ul style="list-style-type: none"> <li>• Overloading.</li> <li>• Overdrying.</li> </ul>	<ul style="list-style-type: none"> <li>• Dry smaller loads that can tumble freely.</li> <li>• Match dryer settings to fabric type (see “Using Your Dryer”).</li> </ul>
<b>Loads are wrinkled</b>	<ul style="list-style-type: none"> <li>• Load left in dryer at the end of cycle.</li> </ul>	<ul style="list-style-type: none"> <li>• Remove load as soon as tumbling stops.</li> </ul>
<b>Odors</b>	<ul style="list-style-type: none"> <li>• Household chemicals, paint, or varnish being drawn into dryer.</li> <li>• First use of dryer element.</li> </ul>	<ul style="list-style-type: none"> <li>• Do not use dryer while these chemical fumes are in the air.</li> <li>• Odor will be gone after the first cycle.</li> </ul>
<b>Unusual sounds</b>	<ul style="list-style-type: none"> <li>• Thumping of rollers when dryer has not been used for a while.</li> </ul>	<ul style="list-style-type: none"> <li>• Thump will go away after 5 minutes of drying.</li> </ul>

# ASSISTANCE OR SERVICE

## IF YOU NEED ASSISTANCE OR SERVICE

**Call the Whirlpool Consumer Assistance Center toll free at 1-800-253-1301. Our consultants are available to assist you.**



When calling:

Please know the purchase date, and the complete model and serial number of your appliance (see “A Note To You”). This information will help us better respond to your request.

**Our consultants provide assistance with:**

- Features and specifications on our full line of appliances
- Installation information
- Use and maintenance procedures

- Accessory and repair parts sales
- Specialized customer assistance (Spanish speaking, hearing impaired, limited vision, etc.)
- Referrals to local dealers, service companies, and repair parts distributors

**Whirlpool designated service technicians** are trained to fulfill the product warranty and provide after-warranty service, anywhere in the United States.

To locate the Whirlpool designated service company in your area, you can also look in your telephone directory Yellow Pages.

## IF YOU NEED REPLACEMENT PARTS

If you need to order replacement parts, we recommend that you only use FSP® factory specified parts. These parts will fit right and work right, because they are made to the same exacting specifications used to build every new ESTATE® appliance.

To locate FSP replacement parts in your area, call our Consumer Assistance Center or your nearest designated service center.

## FOR FURTHER ASSISTANCE

If you need further assistance, you can write to Whirlpool with any questions or concerns at:

Whirlpool Brand Home Appliances  
Consumer Assistance Center  
c/o Correspondence Dept.  
2000 North M-63  
Benton Harbor, MI 49022-2692

Please include a daytime phone number in your correspondence.

# ESTATE<sup>®</sup> DRYER WARRANTY

<b>LENGTH OF WARRANTY</b>	<b>WHIRLPOOL WILL PAY FOR</b>
<b>FULL ONE-YEAR WARRANTY FROM DATE OF PURCHASE</b>	FSP <sup>®</sup> replacement parts and repair labor to correct defects in materials or workmanship. Service must be provided by a Whirlpool designated service company.
<b>WHIRLPOOL CORPORATION WILL NOT PAY FOR</b>	
<p><b>A.</b> Service calls to:</p> <ol style="list-style-type: none"> <li>1. Correct the installation of your dryer, including venting. Heavy 4-inch metal exhaust vent must be used. Refer to the venting section of this manual and your Installation Instructions.</li> <li>2. Instruct you how to use your dryer, to replace house fuses or reset circuit breakers, or to replace owner accessible light bulbs.</li> </ol> <p><b>B.</b> Repairs when your dryer is used in other than single-family household use.</p> <p><b>C.</b> Damage to your dryer caused by accident, alteration, misuse, abuse, fire, flood, acts of God, improper installation (including, but not limited to, venting with plastic or flexible foil), or installation not in accordance with local electrical and plumbing codes.</p> <p><b>D.</b> Replacement parts or repair labor costs for units operated outside the United States.</p> <p><b>E.</b> Pick-up and delivery. This product is designed to be repaired in the home.</p> <p><b>F.</b> Repairs to parts or systems resulting from unauthorized modifications made to the appliance.</p>	

3/99

**WHIRLPOOL CORPORATION SHALL NOT BE LIABLE FOR INCIDENTAL OR CONSEQUENTIAL DAMAGES.** Some states do not allow the exclusion or limitation of incidental or consequential damages, so this exclusion or limitation may not apply to you. This warranty gives you specific legal rights, and you may also have other rights which vary from state to state.

**Outside the United States, a different warranty may also apply. For details, please contact your authorized Whirlpool dealer.**

If you need service, first see the "Troubleshooting" section of this book. After checking "Troubleshooting," additional help is available by checking the "Assistance or Service" section, or by calling our Consumer Assistance Center at, **1-800-253-1301**, from anywhere in the U.S.A.