

Operator's Manual

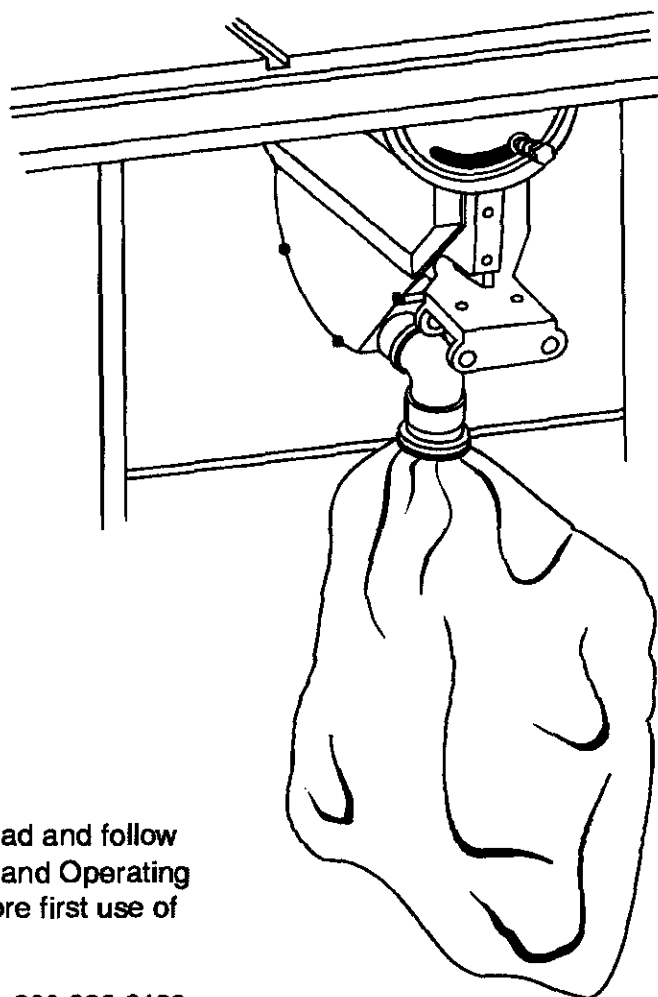
CRAFTSMAN®

DUST COLLECTION SYSTEM

FOR MODEL NOS. 315.228310, 315.228390, 315.228410,
315.228490, 315.228510, AND 315.228590
10 in. STATIONARY TABLE SAWS

Item No.

315.22100



Save this manual for
future reference.

▲ CAUTION: Read and follow
all Safety Rules and Operating
Instructions before first use of
this product.

- SAFETY
- LOOSE PARTS
- INSTALLATION
- SERVICES

Customer Help Line: 1-800-932-3188

Sears, Roebuck and Co., 3333 Beverly Rd. Hoffman Estates, IL 60179 USA
Visit the Craftsman web page: www.sears.com/craftsman

RULES FOR SAFE OPERATION

READ ALL INSTRUCTIONS

- **READ THESE INSTRUCTIONS AND INSTRUCTIONS FOR THE 315.228310, 315.228390, 315.228410, 315.228490, 315.228510, or 315.228590 STATIONARY TABLE SAW THOROUGHLY** before using accessory. Recommended for use with 315.228310, 315.228390, 315.228410, 315.228490, 315.228510, or 315.228590 only.
- **KNOW YOUR POWER TOOL.** Read the owner's manual for the Stationary Table Saw carefully. Learn the saw's applications and limitations as well as the specific potential hazards related to this tool.
- **KEEP THE WORK AREA CLEAN.** Cluttered work areas and work benches invite accidents. **DO NOT**

leave tools or pieces of wood on the saw while it is in operation.

- **ALWAYS WEAR SAFETY GLASSES.** Everyday eyeglasses have only impact-resistant lenses; they are **NOT** safety glasses.
- **ALWAYS DISCONNECT SAW FROM POWER SUPPLY BEFORE MAKING ADJUSTMENTS OR ADDING ACCESSORIES.** Make sure the switch is off when reconnecting to power supply.
- **SAVE THESE INSTRUCTIONS.** Refer to them frequently and use to instruct other users. If you loan someone this tool, loan them these instructions also.

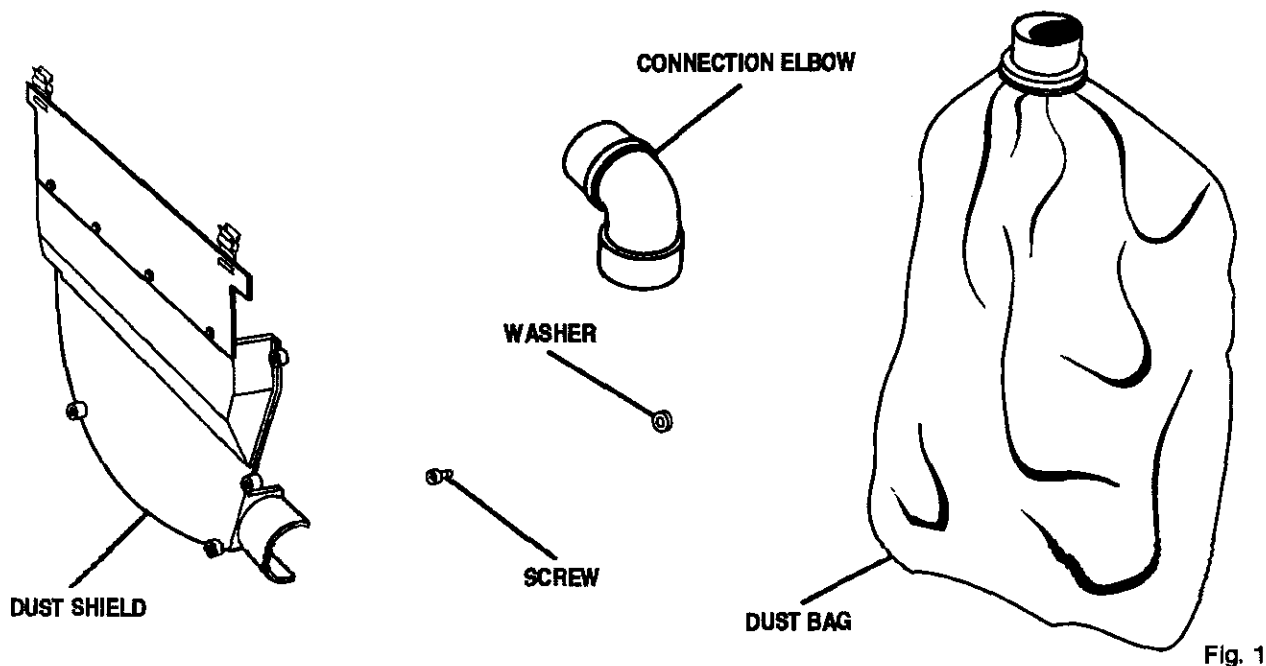


Look for this symbol to point out important safety precautions. It means attention!!! Your safety is involved.

LOOSE PARTS LIST

The following parts are included with the accessory item no. 22100:

- Dust Shield With Flap and Two Spring Clips
- Dust Bag
- Connection Elbow
- Screws (6)
- Washer (1)
- Operator's Manual



WARNING: The use of attachments or accessories not listed might be hazardous.



WARNING: To prevent accidental starting that could cause possible serious personal injury, assemble all parts to your saw completely before connecting it to power supply. Saw should never be connected to power supply when you are assembling parts, making adjustments, installing or removing blades or accessories, or when not in use.

INSTALLATION

Dust collection system helps keep your work area clean.

DUST SHIELD AND CONNECTION ELBOW

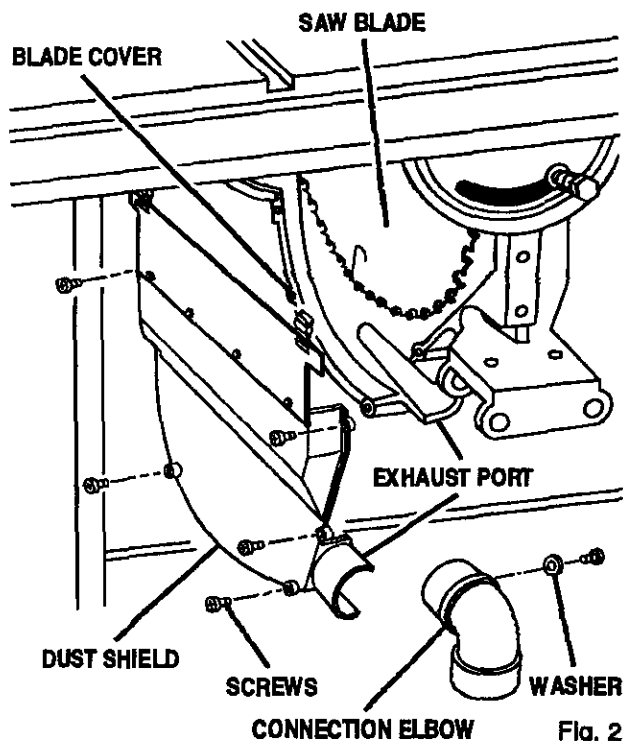
See Figures 2 and 3.

Note: If installing this dust collection system to a new saw, it is recommended that this installation be done prior to assembling the leg stand to the saw. At this point the saw is upside down on the floor. If installing this system to a saw that has already been assembled, removal of the motor will allow easier access to the area for installing dust shield.

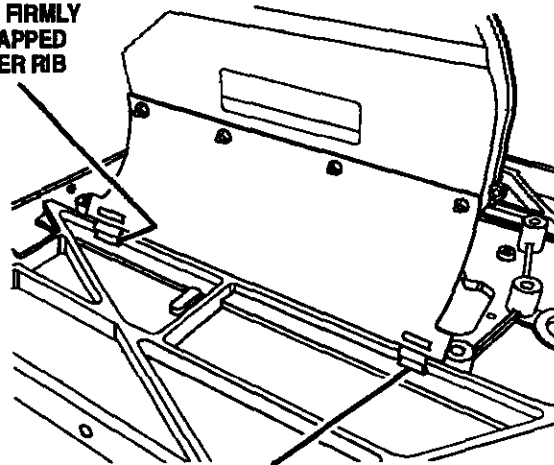
The dust shield encloses the blade beneath the table. The rubber flap helps direct the flow of sawdust in the blade area. Install the dust shield to the blade cover using five screws. The use of a stubby Phillips screwdriver is required due to the limited space available inside the cabinet.

After fastening dust shield to the blade cover, snap the two spring clips that are on the rubber flap to the cast rib on the underside of the saw table. Be sure they are completely seated on this rib, and that rubber flap is smooth and not bucked against the table.

After installing the dust shield, place the connection elbow on the exhaust port that is formed by the dust shield and blade cover. Align the hole in the connection elbow with the hole in the blade cover by using a pointed object such as a small nail. Then use a washer and screw to attach the connection elbow to the blade cover. The connection elbow will still rotate when the screw is tightened.



CLIP FIRMLY
SNAPPED
OVER RIB

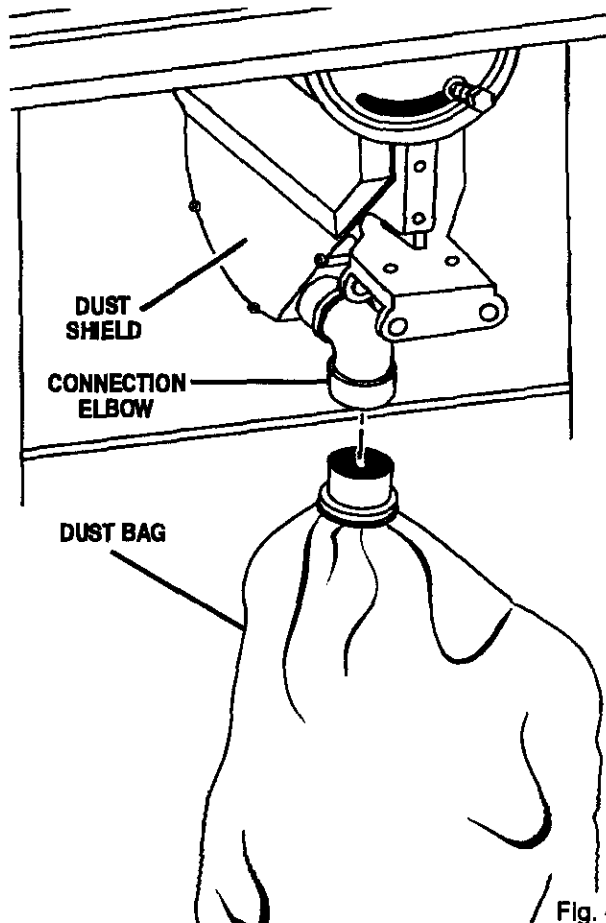


CLIP FIRMLY SNAPPED OVER RIB Fig. 3

DUST BAG

See Figure 4.

The dust bag fits inside the connection elbow. To install, slide the opening of the dust bag into the connection elbow. For more efficient operation, empty dust bag when no more than half full. This will permit better air flow through the bag.



Get it fixed at your home or ours!

For repair of major brand appliances **in your own home...**
no matter who made it, no matter who sold it!

1-800-4-MY-HOMESM Anytime, day or night
(1-800-469-4663)

www.sears.com

To bring in products such as vacuums, lawn equipment and electronics
for repair, call for the location of your nearest **Sears Parts & Repair Center.**

1-800-488-1222 Anytime, day or night

www.sears.com

For the replacement parts, accessories and owner's manuals
that you need to do-it-yourself, call **Sears PartsDirectSM!**

1-800-366-PART 6 a.m. – 11 p.m. CST,
(1-800-366-7278) 7 days a week

www.sears.com/partsdirect

To purchase or inquire about a Sears Service Agreement:

1-800-827-6655

7 a.m. – 5 p.m. CST, Mon. – Sat.

Para pedir servicio de reparación a domicilio,
y para ordenar piezas con entrega a domicilio:

1-888-SU-HOGARSM
(1-888-784-6427)

Au Canada pour service en français:

1-877-LE-FOYERSM
(1-877-533-6937)

SEARS
HomeCentralSM