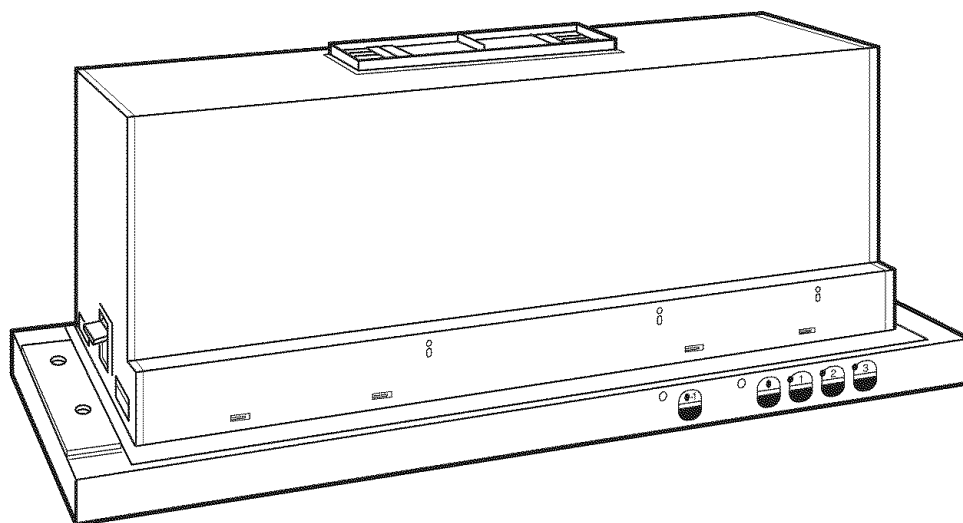

30" (76.2 CM) AND 36" (91.4 CM) SLIDE-OUT VENT RANGE HOOD

Installation Instructions and Use & Care Guide

HOTTE D'ASPIRATION AVEC MODULE DE COMMANDE EXTRACTIBLE DE 30" (76,2 CM) ET 36" (91,4 CM)

Instructions d'installation et Guide d'utilisation et d'entretien

Table of Contents/Table des matières..... 2



IMPORTANT: READ AND SAVE THESE INSTRUCTIONS.
IMPORTANT : LIRE ET CONSERVER CES INSTRUCTIONS.

IMPORTANT:

Installer: Leave installation instructions with the homeowner.
Homeowner: Keep installation instructions for future reference.
Save installation instructions for local electrical inspector's use.

IMPORTANT :

Installateur : Remettre les instructions d'installation au propriétaire.
Propriétaire : Conserver les instructions d'installation pour référence ultérieure.
Conserver les instructions d'installation pour consultation par l'inspecteur local des installations électriques.

TABLE OF CONTENTS

RANGE HOOD SAFETY	3
INSTALLATION REQUIREMENTS	4
Tools and Parts	4
Location Requirements	4
Venting Requirements	5
Electrical Requirements	7
INSTALLATION INSTRUCTIONS	7
Prepare Location	7
Install Range Hood	10
Electrical Connection	10
Connect the Vent System	11
Optional Front Trim Kits	12
RANGE HOOD USE	12
KVVU Model Series	12
GZ and IH Model Series	13
RANGE HOOD CARE	13
Cleaning.....	13
Replacing the Bulb	13
WIRING DIAGRAMS	14
ASSISTANCE OR SERVICE	16
In the U.S.A.	16
In Canada	16
WARRANTY	17
WARRANTY	18

TABLE DES MATIÈRES

SÉCURITÉ DE LA HOTTE D'ASPIRATION	19
EXIGENCES D'INSTALLATION	21
Outillage et pièces	21
Exigences d'emplacement	21
Exigences concernant l'évacuation	22
Spécifications électriques	24
INSTRUCTIONS D'INSTALLATION	25
Préparation de l'emplacement	25
Installation de la hotte de cuisinière.....	28
Raccordement électrique.....	29
Raccordement du circuit d'évacuation.....	29
Ensembles de garniture (option)	30
UTILISATION DE LA HOTTE DE CUISINIÈRE	30
Modèles Séries KVVU	30
Modèles Séries GZ et IH	31
ENTRETIEN DE LA HOTTE DE CUISINIÈRE	31
Nettoyage	31
Remplacement de la lampe	31
SCHÉMA DE CÂBLAGE	32
ASSISTANCE OU SERVICE	33
GARANTIE	34
GARANTIE	35

RANGE HOOD SAFETY

Your safety and the safety of others are very important.

We have provided many important safety messages in this manual and on your appliance. Always read and obey all safety messages.



This is the safety alert symbol.

This symbol alerts you to potential hazards that can kill or hurt you and others.

All safety messages will follow the safety alert symbol and either the word "DANGER" or "WARNING."

These words mean:

⚠ DANGER

You can be killed or seriously injured if you don't immediately follow instructions.

⚠ WARNING

You can be killed or seriously injured if you don't follow instructions.

All safety messages will tell you what the potential hazard is, tell you how to reduce the chance of injury, and tell you what can happen if the instructions are not followed.

IMPORTANT SAFETY INSTRUCTIONS

WARNING: TO REDUCE THE RISK OF FIRE, ELECTRIC SHOCK, OR INJURY TO PERSONS, OBSERVE THE FOLLOWING:

- Use this unit only in the manner intended by the manufacturer. If you have questions, contact the manufacturer.
- Before servicing or cleaning the unit, switch the power off at the service panel disconnecting means to prevent power from being switched on accidentally. When the service disconnecting means cannot be locked, securely fasten a prominent warning device, such as a tag, to the service panel.
- Installation work and electrical wiring must be done by qualified person(s) in accordance with all applicable codes & standards, including fire-rated construction.
- Sufficient air is needed for proper combustion and exhausting of gases through the flue (chimney) of fuel burning equipment to prevent backdrafting. Follow the heating equipment manufacturer's guideline and safety standards such as those published by the National Fire Protection Association (NFPA), the American Society for Heating, Refrigeration and Air Conditioning Engineers (ASHRAE), and the local code authorities.
- When cutting or drilling into wall or ceiling; do not damage electrical wiring and other utilities.
- Ducted systems must always be vented outdoors.

CAUTION: For general ventilating use only. Do not use to exhaust hazardous or explosive materials and vapors.

CAUTION: To reduce risk of fire and to properly exhaust air, be sure to duct air outside - do not vent exhaust air into spaces within walls ceilings, attics, crawl spaces, or garages.

WARNING: TO REDUCE THE RISK OF FIRE, USE ONLY METAL DUCTWORK.

WARNING: TO REDUCE THE RISK OF A RANGE TOP GREASE FIRE:

- Never leave the surface units unattended at high settings. Boilovers cause smoking and greasy spillovers that may ignite. Heat oils slowly on low or medium settings.
- Always turn hood ON when cooking at high heat or when flambeing food (i.e. Crepes Suzette, Cherries Jubilee, Peppercorn Beef Flambe).
- Clean ventilating fans frequently. Grease should not be allowed to accumulate on fan or filter.
- Use proper pan size. Always use cookware appropriate for the size of the surface element.

WARNING: TO REDUCE THE RISK OF INJURY TO PERSONS IN THE EVENT OF A RANGE TOP GREASE FIRE, OBSERVE THE FOLLOWING:^a

- SMOTHER FLAMES with a close fitting lid, cookie sheet, or other metal tray, then turn off the gas burner or electric element. BE CAREFUL TO PREVENT BURNS. If the flames do not go out immediately, EVACUATE AND CALL THE FIRE DEPARTMENT.
- NEVER PICK UP A FLAMING PAN - you may be burned.
- DO NOT USE WATER, including wet dishcloths or towels - a violent steam explosion will result.
- Use an extinguisher ONLY if:
 - You know you have a class ABC extinguisher, and you already know how to operate it.
 - The fire is small and contained in the area where it started.
 - The fire department is being called.
 - You can fight the fire with your back to an exit.

^aBased on "Kitchen Fire Safety Tips" published by NFPA.

SAVE THESE INSTRUCTIONS

INSTALLATION REQUIREMENTS

Tools and Parts

Gather the required tools and parts before starting installation. Read and follow the instructions provided with any tools listed here.

Tools needed

- Level
- Drill
- 1¼" drill bit
- ⅜" (8 mm) nut driver or ratchet
- Pencil
- Pliers
- Wire stripper or utility knife
- Tape measure or ruler
- Caulking gun and weatherproof caulking compound
- Phillips screwdriver
- Flat-blade screwdriver
- Saber or keyhole saw
- Vent clamps
- Metal snips

Parts supplied

Check that all parts are included.

- Literature package
- 2 screws
- Damper
- Plastic cover (used for customized front panel)
- Hardware package

Parts needed

- Two ½" (12.7 mm) UL listed or CSA approved conduit connectors
- Wall cap
- Metal vent system
- Power supply cable

Optional parts needed:

- Wood filler strips for cabinets with recessed bottoms. Length and thickness determined by recess dimensions. See "Prepare Location" section.
- Two, 1" x 1" x 5" (25.4 x 25.4 x 127 mm) wood pieces for cabinet floor. See "Prepare Location" section.
- Four, 1¼" (31.8 mm) wood screws

Location Requirements

IMPORTANT: Observe all governing codes and ordinances.

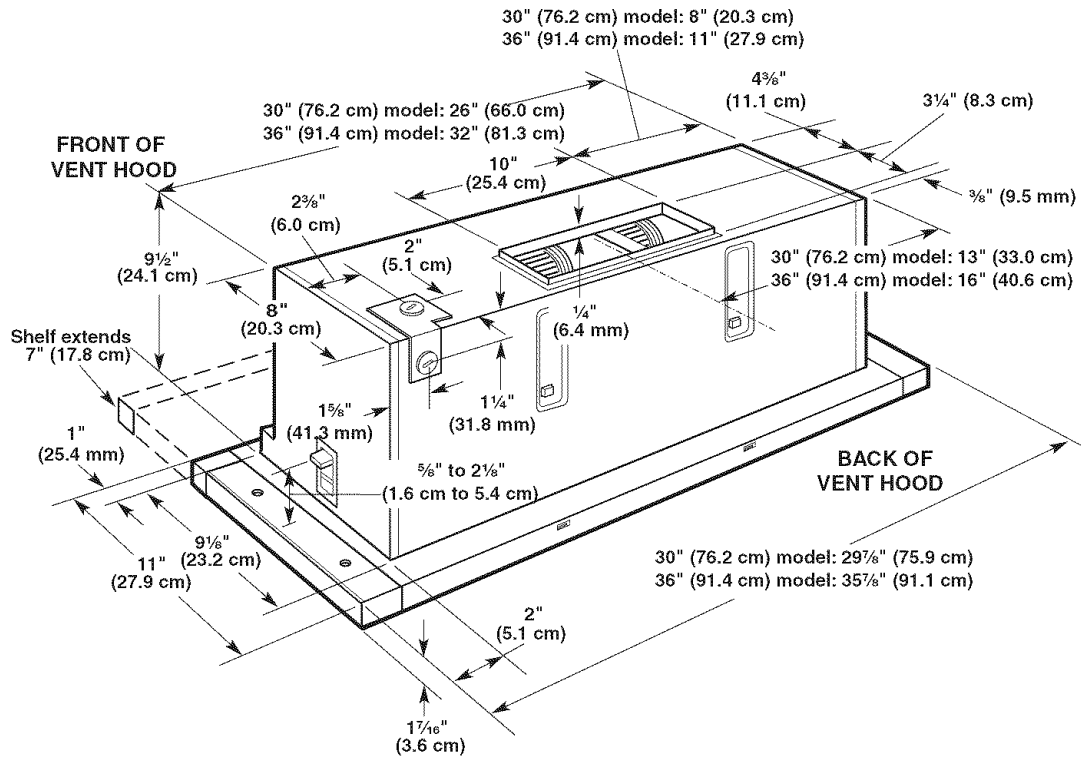
- Have a qualified technician install the range hood. It is the installer's responsibility to comply with installation clearances specified on the model/serial rating plate. The model/serial rating plate is located behind the left filter on the rear wall of the vent hood.
- Range hood location should be away from strong draft areas, such as windows, doors, and strong heating vents.
- Cabinet opening dimensions that are shown must be used. Given dimensions provide minimum clearance. Consult your cooktop/range manufacturer installation instructions before making any cutouts.
- Grounded electrical outlet is required. See "Electrical Requirements" section.
- The hood is factory set for vented installations through the roof or wall.

For non-vented installations, Recirculation Kit Part No. 883140 is available from your dealer or an authorized parts distributor.
- All openings in ceiling and wall where range hood will be installed must be sealed.

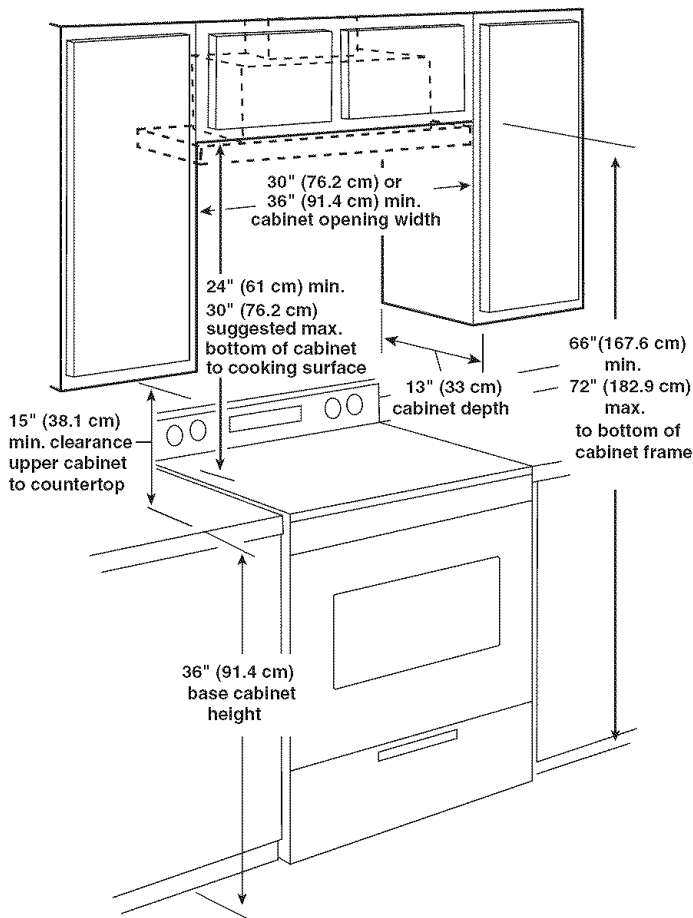
For Mobile Home Installations

The installation of this range hood must conform to the Manufactured Home Construction Safety Standards, Title 24 CFR, Part 328 (formerly the Federal Standard for Mobile Home Construction and Safety, title 24, HUD, Part 280) or when such standard is not applicable, the standard for Manufactured Home Installation 1982 (Manufactured Home Sites, Communities and Setups) ANSI A225.1/NFPA 501A*, or latest edition, or with local codes.

Product Dimensions



Installation Clearances



Venting Requirements

- Vent system must terminate to the outside, except for non-vented (recirculating) installations.
- Do not terminate the vent system in an attic or other enclosed area.
- Do not use a 4" (10.2 cm) laundry-type wall caps.
- Use a metal vent only. A rigid metal vent is recommended. Do not use plastic or metal foil vent.
- The size of the vent should be uniform.
- Use no more than three 90° elbows.
- Make sure there is a minimum of 24" (61 cm) of straight vent between the elbows if more than one elbow is used.
- Do not install 2 elbows together.
- The length of vent system and number of elbows should be kept to a minimum to provide efficient performance.
- The vent system must have a damper. If the roof or wall cap has a damper, do not use the damper supplied with the range hood.
- Use clamps to seal all joints in the vent system.
- Use caulking to seal exterior wall or roof opening around the cap.
- Determine which venting method is best for your application.

Cold weather installations

An additional back draft damper should be installed to minimize backward cold air flow and a nonmetallic thermal break should be installed to minimize conduction of outside temperatures as part of the vent system. The damper should be on the cold air side of the thermal break.

The break should be as close as possible to where the vent system enters the heated portion of the house.

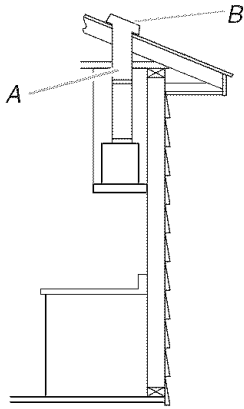
Makeup air

Local building codes may require the use of makeup air systems when using ventilation systems with greater than specified CFM of air movement. The specified CFM varies from locale to locale. Consult your HVAC professional for specific requirements in your area.

Venting Methods

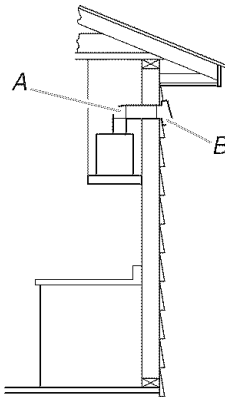
The vent system needed for installation is not included. A 3/4" x 10" (8.3 cm x 25 cm) rectangular vent system is recommended.

Roof Venting



A. 3/4" x 10" (8.3 cm x 25 cm) vent through the roof
B. Roof cap

Wall Venting



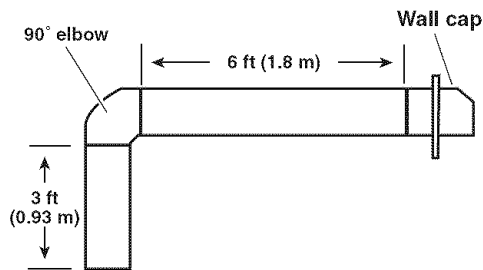
A. 3/4" x 10" (8.3 cm x 25 cm) vent through the wall
B. Wall cap

Calculate Vent System Length

The recommended vent system length is 3/4" x 10" (8.3 cm x 25 cm) vent with maximum length of 26 ft (8 m) for vent system. For the best performance, use no more than three 90° elbows.

To calculate the length of the system, add the equivalent feet (meters) for each of the vent pieces used in the system.

Example vent system 3/4" x 10" (8.3 cm x 25 cm)



Maximum Length = 26 ft (8 m)

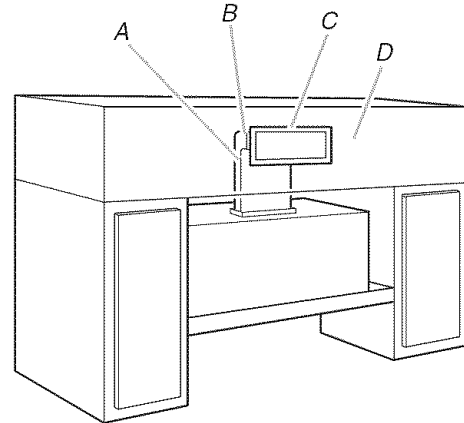
1 - 90° elbow	= 5 ft (1.5 m)
1 - wall cap	= 0 ft (0 m)
9 ft (2.8 m) straight	= 9 ft (2.8 m)
System length	= 14 ft (4.3 m)

Recommended Standard Fittings

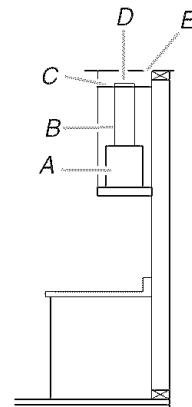
Vent Piece	3/4" x 10" (8.3 cm x 25 cm)		
3/4" x 10" (8.3 cm x 25.4 cm) 90° elbow	5.0 ft (1.5 m)		
3/4" x 10" (8.3 cm x 25.4 cm) flat elbow	12.0 ft (3.7 m)		
3/4" x 10" (8.3 cm x 25.4 cm) wall cap	0.0 ft (0.0 m)		

Recirculating Vent Through the Soffit/Cabinet

This vent hood is factory set for venting through the roof or wall. For recirculating installations, Recirculation Kit Part Number 883140 is available from the dealer or an authorized parts distributor. Damper installation is not required.



A. 3/4" x 10" (8.3 cm x 25 cm) vent
B. 3/4" x 10" (8.3 cm x 25 cm) elbow
C. Vent cover
D. Soffit



A. Hood
B. Vent system
C. Top of cabinet
D. Vent cover
E. Ceiling or soffit

Electrical Requirements

For GZ or IH model series:

WARNING: To reduce the risk of fire or electrical shock, do not use this fan with any solid state speed control device.

For KWWU model series:

This fan is suitable for use with solid state speed controls.

IMPORTANT: Observe all governing codes and ordinances. Save Installation Instructions for electrical inspector's use.

It is the customer's responsibility to contact a qualified electrical installer, and to assure that the electrical installation is adequate and in conformance with National Electrical Code, ANSI/NFPA 70 (latest edition), or CSA Standards C22.1-94, Canadian Electrical Code, Part 1 and C22.2 No. 0-M91 (latest edition) and all local codes and ordinances.

If codes permit and a separate ground wire is used, it is recommended that a qualified electrician determine that the ground path is adequate.

A copy of the above code standards can be obtained from:

National Fire Protection Association
One Batterymarch Park, Quincy, MA 02269
CSA International
8501 East Pleasant Valley Road
Cleveland, OH 44131-5575

- A 120 Volt, 60 Hz., AC only 15-amp fused, electrical circuit is required.
- Do not ground to a gas pipe.
- Check with a qualified electrician if you are not sure the range hood is properly grounded.
- Do not have a fuse in the neutral or ground circuit.
- The range hood must be connected with copper wire only.
- The range hood should be connected directly to the fused disconnect (or circuit breaker) box through flexible armored or nonmetallic sheathed copper cable.
- Wire sizes (copper wire only) and connections must conform with the rating of the appliance as specified on the model/serial rating plate.
- Wire sizes must conform to the requirements of the National Electrical Code, ANSI/NFPA 70 (latest edition), or CSA Standards C22.1-94, Canadian Electrical Code, Part 1 and C22.2 No. 0-M91 (latest edition) and all local codes and ordinances.
- A ½" (12.7 mm) UL listed or CSA approved strain relief must be provided at each end of the power supply cable (at the range hood and at the junction box).

INSTALLATION INSTRUCTIONS

Prepare Location

It is recommended that the vent system be installed before hood is installed.

Do not cut a joist or stud unless absolutely necessary. If a joist or stud must be cut, then a supporting frame must be constructed.

Before making cutouts, make sure there is proper clearance within the ceiling or wall for vent fittings.

Preparation

WARNING

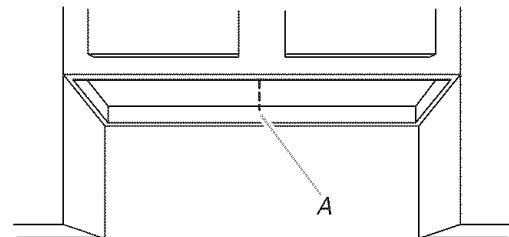
Excessive Weight Hazard

Use two or more people to move and install range.

Failure to do so can result in back or other injury.

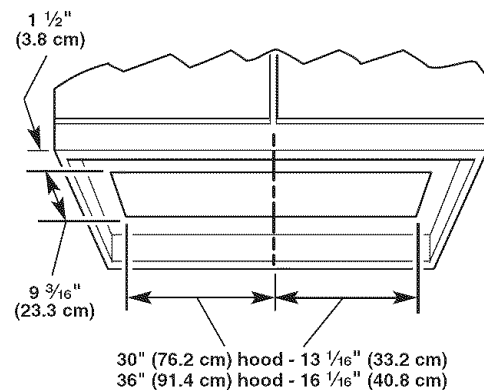
1. If possible, disconnect and slowly move the freestanding range from the cabinet opening to provide easier access to upper cabinet and rear wall.
2. Determine which venting method to use: roof, wall, or non-vented.

3. Determine and clearly mark a centerline on the underside of the cabinet.



A. Centerline

4. Measure and mark lines as shown for your size of vent hood. Use a saber saw or keyhole saw to cut an opening through the underside of the cabinet.

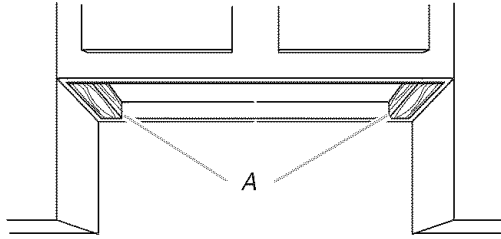


The finished cutout size will be:

30" (76.2 cm) hood - 9³/₁₆" x 26¹/₈" (23.3 cm x 66.4 cm)

36" (91.4 cm) hood - 9³/₁₆" x 32¹/₈" (23.3 cm x 81.6 cm)

- If the cabinet bottom is recessed above a support frame, wood filler strips need to be installed on the right and left sides of the cutout to provide sides of clearance for the sliding screen. Wood filler strips should be flush with or recessed $\frac{1}{16}$ "- $\frac{1}{8}$ " (1.6 mm-3.2 mm) from the bottom of the support frame.

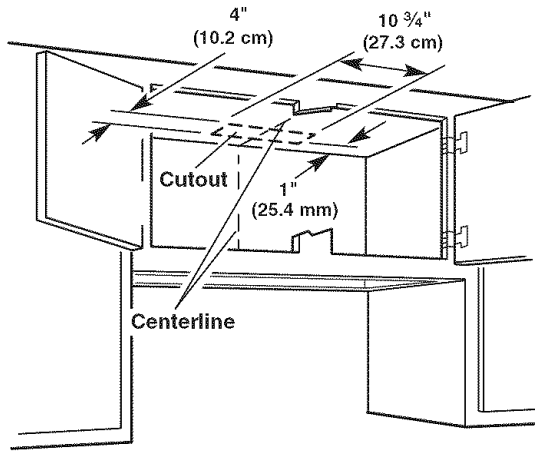


A. Wood filler strips

- Complete cabinet preparation following the instructions for your type of installation.

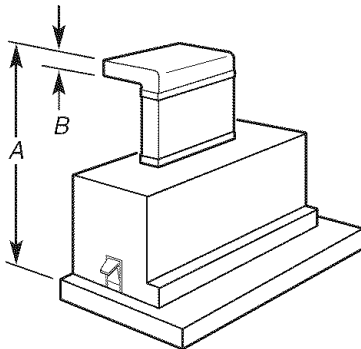
Venting Outside Through the Roof

Measure and mark the lines as shown. Use a saber saw or keyhole saw to cut a rectangular opening for the vent.

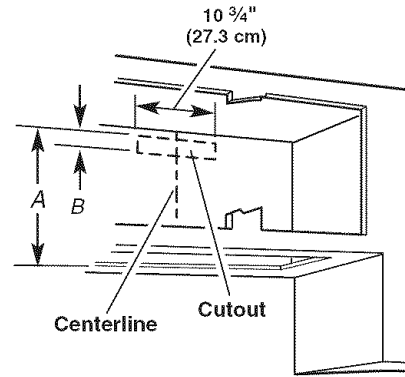


Venting Outside Through the Wall

Assemble the vent that you will use over the vent opening. Do not attach the vent at this time. Measure from the top of the screen housing to the top of the vent opening (A) and back to the bottom of the vent opening (B). Remove the vent.

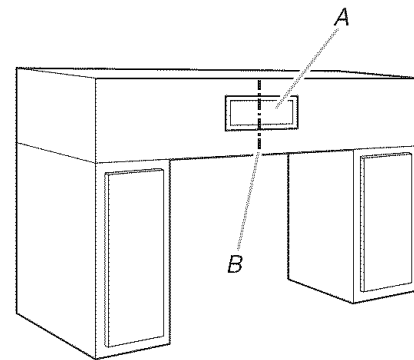


Transfer measurement A and B to the cabinet back wall. Measure from the underside of the cabinet or wood filler strips, if used. Mark the cutout as shown. Use a saber saw or keyhole saw to cut a rectangular opening for the vent.



Venting Inside Through the Soffit/Cabinet

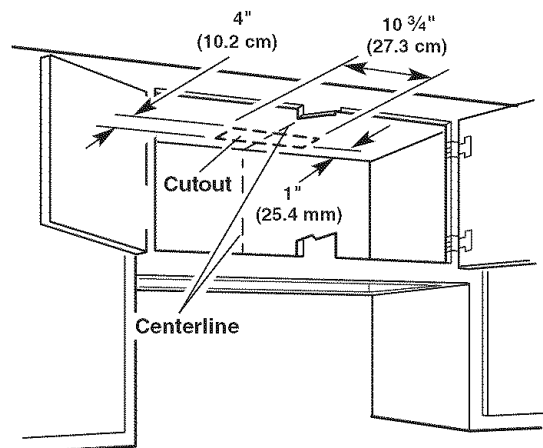
Measure and mark a rectangular vent opening in the soffit using the method shown for venting through the wall. Measure and mark the same centerline on the soffit above the vent hood area.



A. Vent cover
B. Centerline

Use the vent cover from the Recirculation Kit or other vent cover as a template to outline an opening for the vent. Use a saber saw or keyhole saw to cut a rectangular opening for the vent system.

The hood can be vented inside through the top of the cabinet.

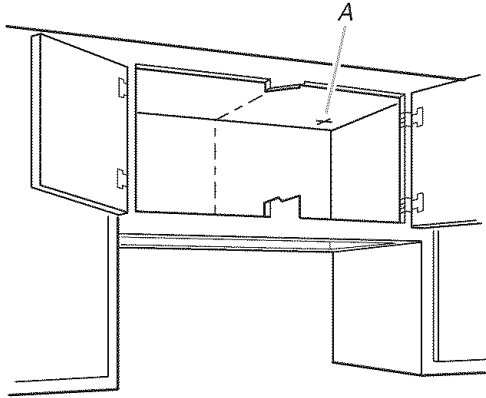


The Recirculation Kit Part Number 883140 must be used.

- Install the vent system according to the method needed. Use caulking to seal the exterior wall or roof opening.
- Determine wiring knockout.

To wire through the top wiring knockout:

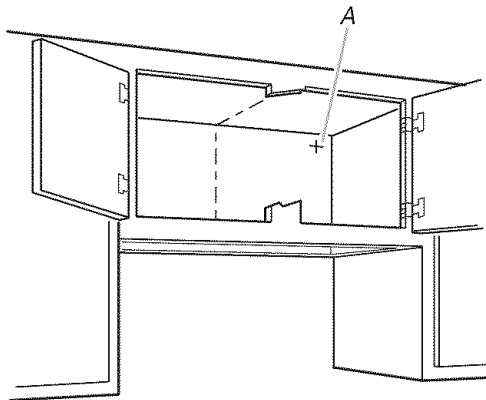
Measure and mark a parallel line either 10 $\frac{5}{8}$ " (27 cm) for the 30" (76.2 cm) hood or 11 $\frac{5}{8}$ " (29.5 cm) for the 36" (91.4 cm) hood to the right of the centerline on the cabinet ceiling. Mark a point on this line that is 4" (10.2 cm) from the back wall of the cabinet. Drill a 1 $\frac{1}{4}$ " (3.2 cm) diam. hole through the cabinet ceiling.



A. Wiring cutout

To wire through the rear wiring knockout:

Measure and mark a parallel line 11 $\frac{3}{8}$ " (29.8 cm) for the 30" (76.2 cm) hood or 14 $\frac{3}{8}$ " (36.5 cm) line for the 36" (91.4 cm) hood to the right of the centerline on the cabinet back wall. Mark a point on this line that is 8 $\frac{1}{4}$ " (21 cm) from the bottom of the cabinet. Drill a 1 $\frac{1}{4}$ " (3.2 cm) diam. hole through the wall.

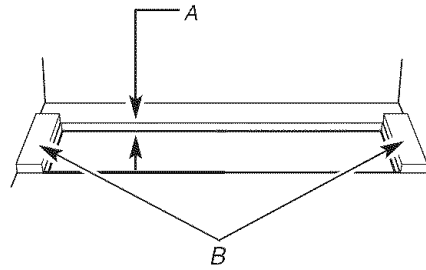


A. Wiring cutout

- Run the wiring through the wall or cabinet according to the national Electrical Code and all local codes and ordinances. Use caulking to seal around wire opening.

NOTE: Do not turn on power until installation is complete.

- Measure the thickness of the cabinet floor, including the filler strips, if used. If the thickness is less than $\frac{5}{8}$ " (15.9 mm), install wood filler strips that are a minimum length of 5" (12.7 cm) onto the cabinet floor. The mounting bracket adjusts from $\frac{5}{8}$ " (15.9 mm) to 2 $\frac{1}{8}$ " (54 mm) for the wood filler strips.



A. Less than $\frac{5}{8}$ " (15.9 mm)
B. Wood fillers (thickness as required)

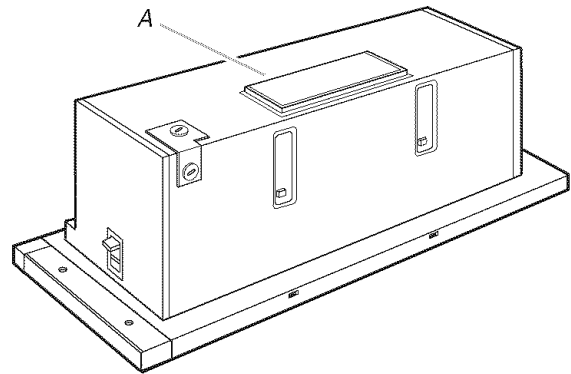
⚠ WARNING

Excessive Weight Hazard

Use two or more people to move and install range hood.

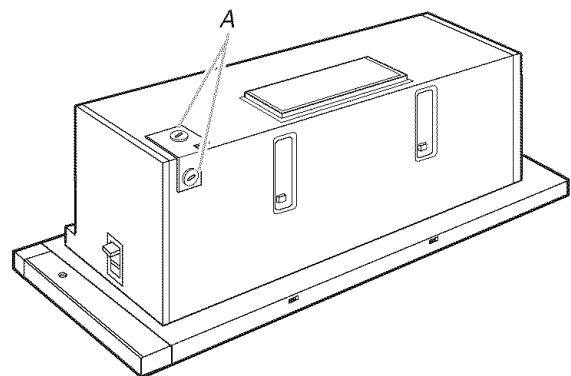
Failure to do so can result in back or other injury.

- Remove the vent hood from the carton. Attach the damper to the vent opening. If the roof cap or wall cap has a damper, do not attach the damper to the vent hood.



A. Damper

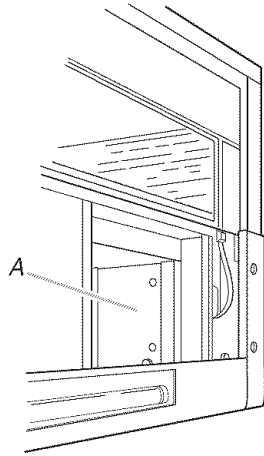
- Remove the top or rear knockout from the wiring opening, depending on which one will be used.



A. Wiring knockouts

13. Place the vent hood on its back side on a protected surface.

- a) Slide the screen forward.
- b) Pull the tabs to remove the filters.
- c) Remove the terminal box cover.
- d) Close the screen.
- e) Slide the mounting brackets to the top position.

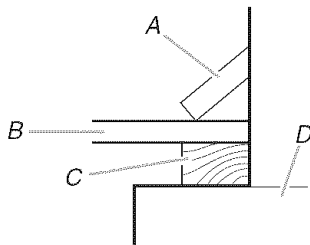


A. Terminal box cover

NOTE: For some installations using the recirculating kit, it may be easier to attach the vent system to the hood before lifting the hood into its final position. Seal the connection with clamps.

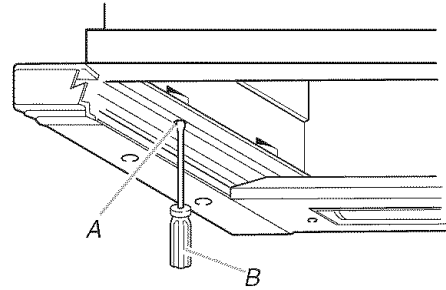
Install Range Hood

1. Lift the vent hood into its final position and feed the electrical wire through the wiring opening in the range hood. The mounting brackets should overlap the cabinet bottom or wood filler strips. Center the range hood.



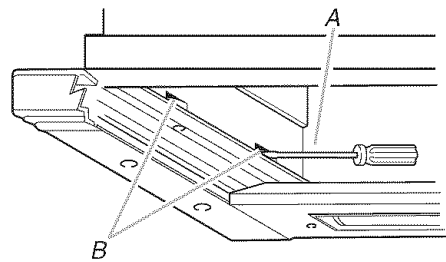
A. Mounting bracket
 B. Cabinet bottom
 C. Optional wood filler strip
 D. Vent hood

2. Check that the front panel is parallel with the cabinet front when the screen is pushed in. Slide the screen forward. Tighten the mounting bracket screws so that the vent hood is secured to the cabinet.



A. Mounting bracket screw
 B. Flat-blade screwdriver

3. Align the hood front panel with the cabinet. Slide the screen forward. Locate the 2 screws on each side and turn them counterclockwise to loosen the screws. Adjust the front of the vent vertically, 3/8" (9.5 mm) up or down, or horizontally, 3/4" (19 mm) front to back, until the front is flush with the cabinet. Tighten the screws. If it is necessary to adjust the given dimensions, lower and add or remove the filler strips or redrill mounting holes.



A. Phillips screwdriver
 B. Adjustment screws

Electrical Connection

⚠ WARNING



Electrical Shock Hazard

Disconnect power before servicing.


Replace all parts and panels before operating.

Failure to do so can result in death or electrical shock.

1. Disconnect power.
2. Connect the white wire of the power supply cable to the white wire in the hood with a twist-on connector.

3. Connect the black wire of the power supply cable to the black wire in the hood with a twist-on connector.

⚠ WARNING



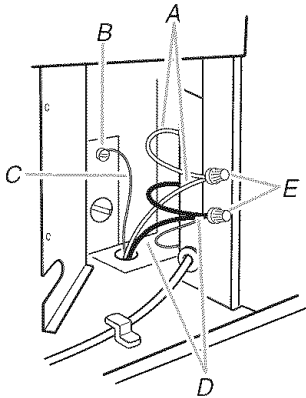
Electrical Shock Hazard

Electrically ground blower.

Connect ground wire to green ground screw in terminal box.

Failure to do so can result in death or electrical shock.

4. Connect the power supply ground wire to the green ground screw inside the vent hood terminal box.



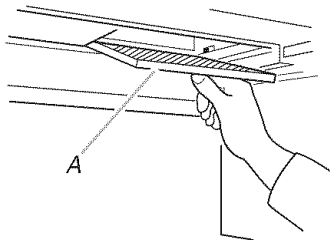
A. White wires
 B. Green ground screw
 C. Ground wire
 D. Black wires
 E. Twist-on connectors

5. Replace the terminal box cover.

Connect the Vent System

Vented installations:

Replace the metal filter. Connect the vent system to the hood vent opening. Seal the connection with clamps.



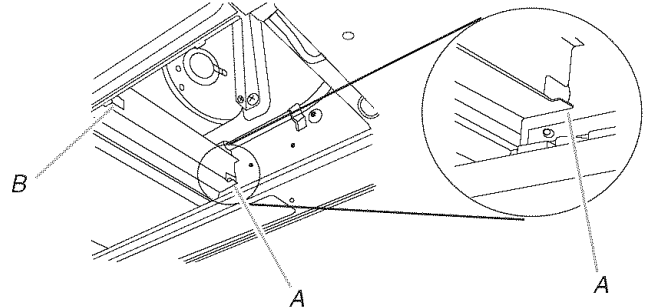
A. Filter

Recirculation installations:

Connect the vent system to the hood vent opening. Seal the connection with clamps.

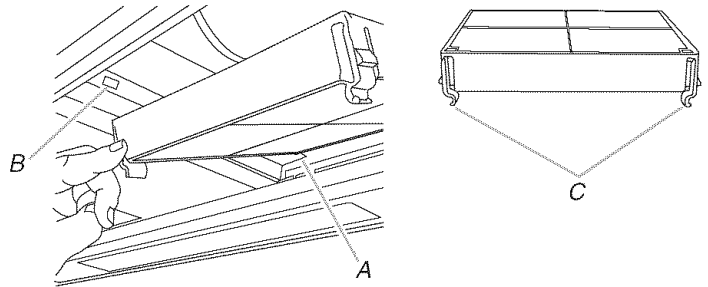
Install Recirculation Kit (Part Number 883140)

1. Pull out on the range hood to expose the filters.
2. Remove the 2 metal filters.
3. Locate tabs "A" and slots "B" in the opening. This is where the filter will fit into place.



A. Tab
 B. Slot

4. Place charcoal filter into opening, resting the back of the filter on tabs "A," then clip filter tabs "C" into slots "B."



A. Tab
 B. Slot
 C. Filter tabs

5. Replace metal filters.
6. Reconnect power.
7. Check the operation of the vent hood fan and light.
8. Push the range hood back in.

To order replacement kits, see the "Assistance or Service" section.

Optional Front Trim Kits

Front trim kits for matching the front panel to your range or cooktop color are available from your dealer.

For ordering information see the "Assistance or Service" section.

For 30" (76.2 cm) model series

KWVU205:

- Part No. 4360201 (white)
- Part No. 4360203 (black)
- Part No. 4392855 (biscuit)

For 36" (91.4 cm) model series

KWVU265:

- Part No. 4360202 (white)
- Part No. 4360204 (black)
- Part No. 4392856 (biscuit)

For 30" (76.2 cm) model series

GZ7730:

- Part No. 4396067 (white)
- Part No. 4396066 (black)
- Part No. 8171368 (biscuit)

IH5302:

- Part No. 4396844 (white)

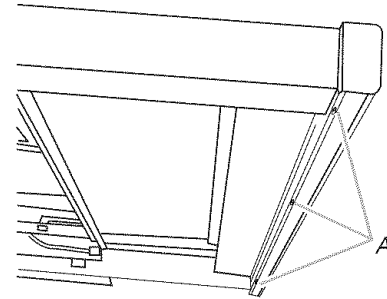
For 36" (91.4 cm) model series

GZ7736:

- Part No. 4396069 (white)
- Part No. 4396068 (black)
- Part No. 8171369 (biscuit)

Install Front Trim Kit

1. Pull out on the range hood for easier access to the screws.
2. Remove the 3 mounting screws directly behind the front panel, and remove the front panel from the range hood.



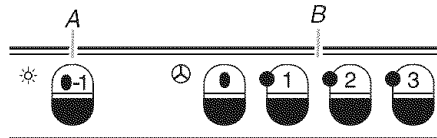
A. Three mounting screws

3. Remove existing trim piece and insert new trim piece.
4. Reattach front panel using the 3 mounting screws.
5. Push the range hood back in.

RANGE HOOD USE

The range hood is designed to remove smoke, cooking vapors and odors from the cooktop area. For best results, start the hood before cooking and allow it to operate several minutes after the cooking is complete to clear all smoke and odors from the kitchen.

KWVU Model Series



A. Light button
B. Speed buttons

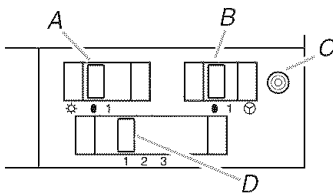
Operating the Fan

1. Slide the shelf forward.
2. Press the speed buttons for the desired speed.
Speed may be increased, decreased, or turned off at anytime during the vent hood operation. The indicator light next to the speed button selected should be on when the fan is running.
3. Press the 0 button or close the shelf to shut off the fan.
The fan will shut off when the shelf is about 2" (5.1 cm) from the closed position. When the shelf is opened the fan will operate at the last setting.

Operating the Light

1. Open the shelf about 1" (2.5 cm).
2. Press the light button.
The light will be on each time the shelf is opened. The light can be used for a night light by opening the shelf about 1" (2.5 cm).
3. Press the light button to turn off the light.
Another option for turning off the vent hood light is to close the shelf.

GZ and IH Model Series



- A. Light switch
- B. Fan switch
- C. Indicator light
- D. Speed switch

Operating the Fan

1. Slide the shelf forward.
2. Move the fan switch to 1.
3. Move the speed switch to the desired setting.
The speed may be increased, decreased, or turned off at anytime during the vent hood operation. The indicator light should be on when the fan is running.
4. Move the fan switch to 0 or close the glass shelf.
The fan will shut off when the shelf is about 2" (5.1 cm) from the closed position. When the shelf is opened, the fan will operate at the last settings.

Operating the Light

1. Open the shelf about 1" (2.5 cm).
2. Move the light switch to the 1 position.
The light will be on each time the shelf is opened. The light can be used for a night light by opening the glass shelf about 1" (2.5 cm).
3. Move the light switch to the 0 position.
Another option for turning the vent hood light off is to close the shelf.

RANGE HOOD CARE

Cleaning

Exterior surfaces:

- Clean the vent hood with a mild detergent and soft cloth.
- Do not use abrasive cleansers or steel-wool pads

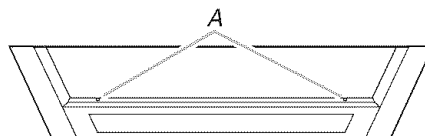
Metal Filters:

For the best results, clean the filters often. Pull the tabs downward to remove filters. Place filters in dishwasher or hot, soapy water to clean.

Replacing the Bulb

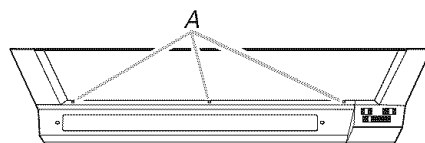
1. Use a 15-watt fluorescent bulb with 30" (76.2 cm) unit and 18-watt bulb with 36" (91.4 cm) unit.
2. Remove the screws above the light cover and set them aside.
3. Pull the light cover forward slightly and then downward to remove the cover.
4. Replace the light bulb.
5. Lift cover back into position.
6. Replace the screws.

KWVU Model Series



A. Screws

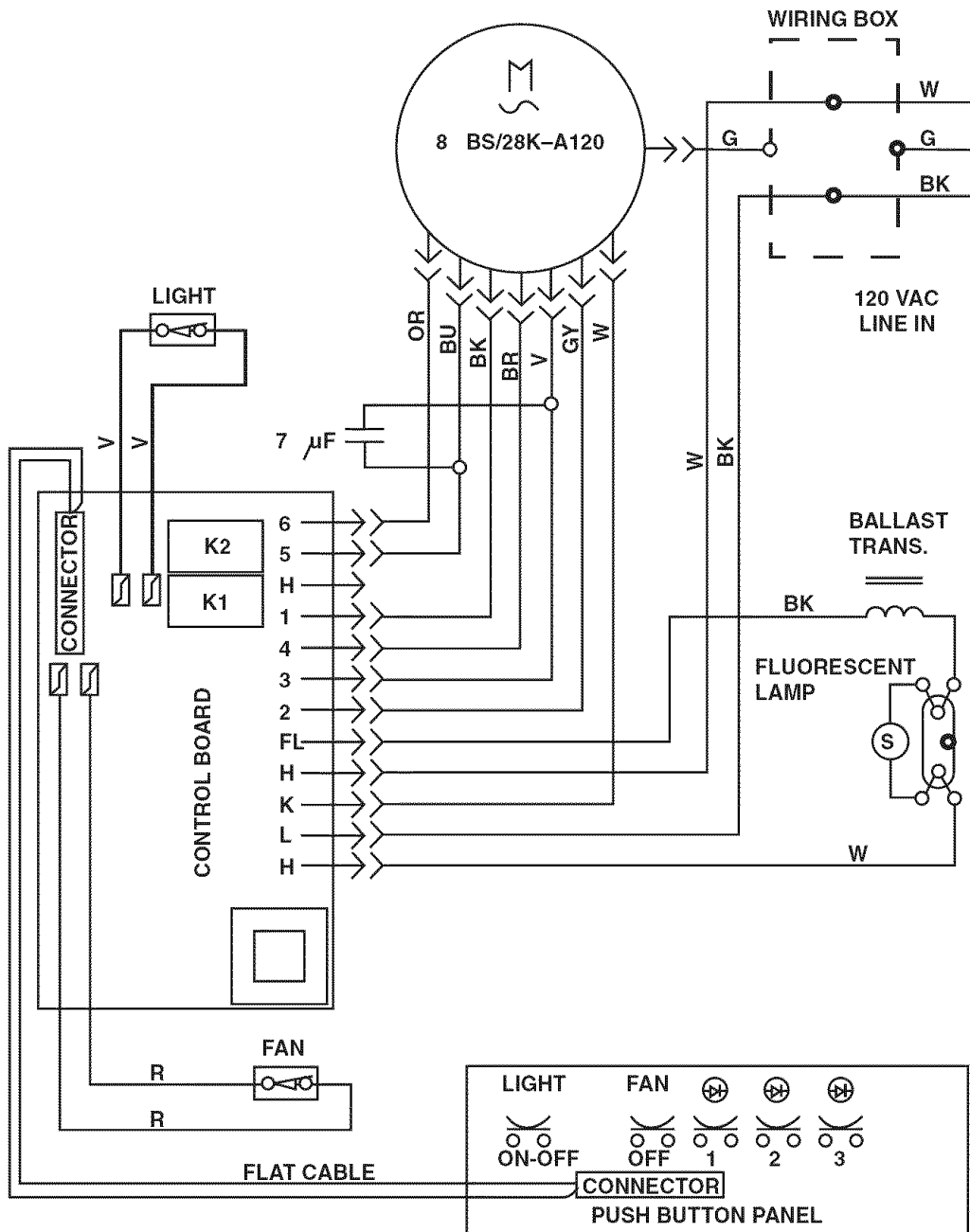
GZ and IH Model Series



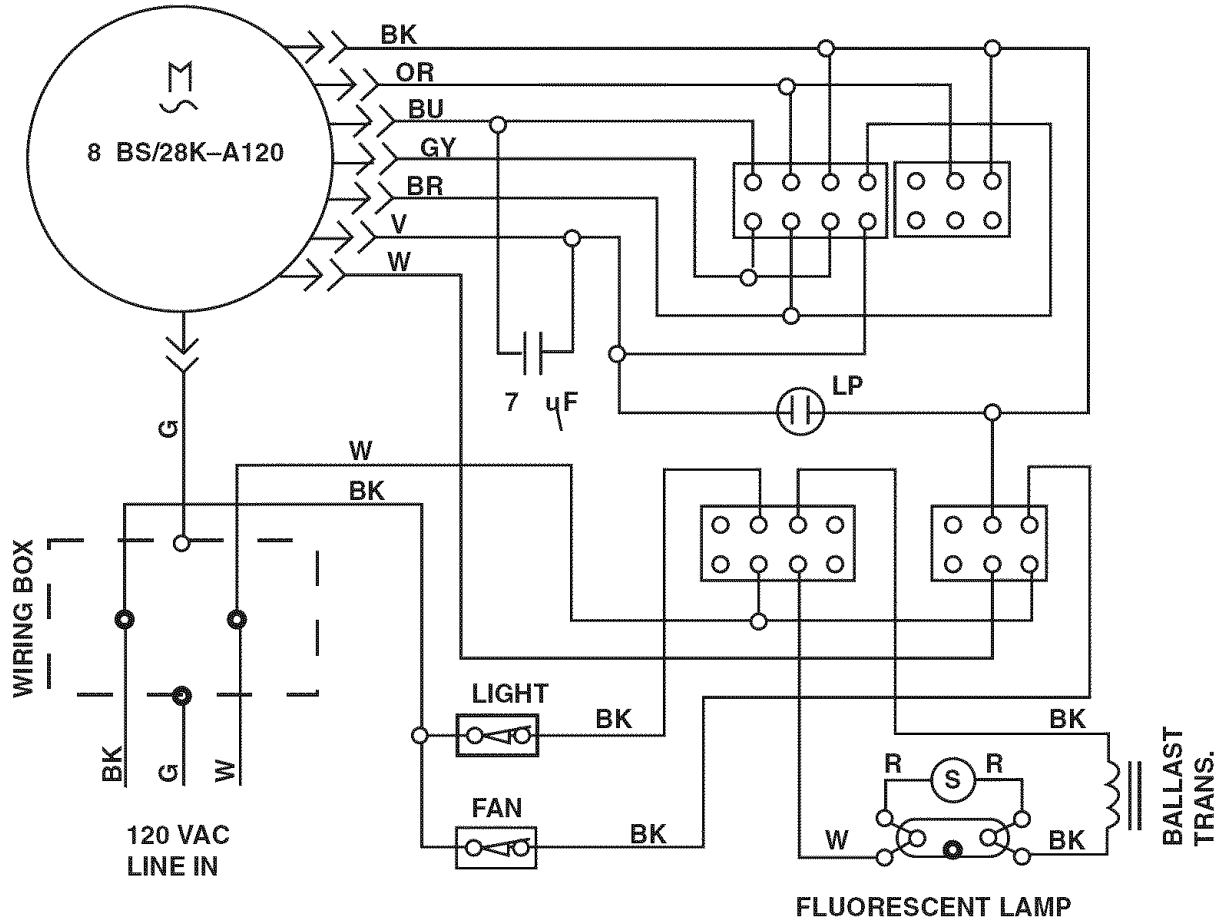
A. Screws

WIRING DIAGRAMS

KWU Model Series



GZ and IH Model Series



ASSISTANCE OR SERVICE

Before calling for assistance or service, please check "Troubleshooting." It may save you the cost of a service call. If you still need help, follow the instructions below.

When calling, please know the purchase date and the complete model and serial number of your appliance. This information will help us to better respond to your request.

If you need replacement parts

If you need to order replacement parts, we recommend that you use only factory specified parts. Factory specified parts will fit right and work right because they are made with the same precision used to build every new appliance. To locate factory specified parts replacement parts in your area, call us or your nearest Whirlpool designated service center.

In the U.S.A.

Call the Whirlpool Customer eXperience Center toll free: **1-800-253-1301**.

Our consultants provide assistance with:

- Features and specifications on our full line of appliances.
- Installation information.
- Use and maintenance procedures.
- Accessory and repair parts sales.
- Specialized customer assistance (Spanish speaking, hearing impaired, limited vision, etc.).
- Referrals to local dealers, repair parts distributors, and service companies. Whirlpool designated service technicians are trained to fulfill the product warranty and provide after-warranty service, anywhere in the United States.

To locate the Whirlpool designated service company in your area, you can also look in your telephone directory Yellow Pages.

For further assistance

If you need further assistance, you can write to Whirlpool Corporation with any questions or concerns at:

Whirlpool Brand Home Appliances
Customer eXperience Center
553 Benson Road
Benton Harbor, MI 49022-2692

Please include a daytime phone number in your correspondence.

In Canada

Call the Whirlpool Canada LP Customer Interaction Centre toll free: **1-800-807-6777**.

Our consultants provide assistance with:

- Features and specifications on our full line of appliances.
- Use and maintenance procedures.
- Accessory and repair parts sales.
- Referrals to local dealers, repair parts distributors, and service companies. Whirlpool Canada LP designated service technicians are trained to fulfill the product warranty and provide after-warranty service, anywhere in Canada.

For further assistance

If you need further assistance, you can write to Whirlpool Canada LP with any questions or concerns at:

Customer Interaction Centre
Whirlpool Canada LP
1901 Minnesota Court
Mississauga, Ontario L5N 3A7

Please include a daytime phone number in your correspondence.

WHIRLPOOL CORPORATION MAJOR APPLIANCE WARRANTY

ONE YEAR LIMITED WARRANTY

For one year from the date of purchase, when this major appliance is operated and maintained according to instructions attached to or furnished with the product, Whirlpool Corporation or Whirlpool Canada LP (hereafter "Whirlpool") will pay for Factory Specified Parts and repair labor to correct defects in materials or workmanship. Service must be provided by a Whirlpool designated service company. This limited warranty applies only when the major appliance is used in the country in which it was purchased.

ITEMS WHIRLPOOL WILL NOT PAY FOR

1. Service calls to correct the installation of your major appliance, to instruct you how to use your major appliance, to replace or repair house fuses or to correct house wiring or plumbing.
 2. Service calls to repair or replace appliance light bulbs, air filters or water filters. Those consumable parts are excluded from warranty coverage.
 3. Repairs when your major appliance is used for other than normal, single-family household use.
 4. Damage resulting from accident, alteration, misuse, abuse, fire, flood, acts of God, improper installation, installation not in accordance with electrical or plumbing codes, or use of products not approved by Whirlpool.
 5. Any food loss due to refrigerator or freezer product failures.
 6. Replacement parts or repair labor costs for units operated outside the United States or Canada.
 7. Pickup and delivery. This major appliance is designed to be repaired in the home.
 8. Repairs to parts or systems resulting from unauthorized modifications made to the appliance.
 9. Expenses for travel and transportation for product service in remote locations.
 10. The removal and reinstallation of your appliance if it is installed in an inaccessible location or is not installed in accordance with published installation instructions.
 11. Replacement parts or repair labor costs when the major appliance is used in a country other than the country in which it was purchased.
-

DISCLAIMER OF IMPLIED WARRANTIES; LIMITATION OF REMEDIES

CUSTOMER'S SOLE AND EXCLUSIVE REMEDY UNDER THIS LIMITED WARRANTY SHALL BE PRODUCT REPAIR AS PROVIDED HEREIN. IMPLIED WARRANTIES, INCLUDING WARRANTIES OF MERCHANTABILITY OR FITNESS FOR A PARTICULAR PURPOSE, ARE LIMITED TO ONE YEAR OR THE SHORTEST PERIOD ALLOWED BY LAW. WHIRLPOOL SHALL NOT BE LIABLE FOR INCIDENTAL OR CONSEQUENTIAL DAMAGES. SOME STATES AND PROVINCES DO NOT ALLOW THE EXCLUSION OR LIMITATION OF INCIDENTAL OR CONSEQUENTIAL DAMAGES, OR LIMITATIONS ON THE DURATION OF IMPLIED WARRANTIES OF MERCHANTABILITY OR FITNESS, SO THESE EXCLUSIONS OR LIMITATIONS MAY NOT APPLY TO YOU. THIS WARRANTY GIVES YOU SPECIFIC LEGAL RIGHTS AND YOU MAY ALSO HAVE OTHER RIGHTS, WHICH VARY FROM STATE TO STATE OR PROVINCE TO PROVINCE.

Outside the 50 United States and Canada, this warranty does not apply. Contact your authorized Whirlpool dealer to determine if another warranty applies.

If you need service, first see the "Troubleshooting" section of the Use & Care Guide. After checking "Troubleshooting," additional help can be found by checking the "Assistance or Service" section or by calling Whirlpool. In the U.S.A., call **1-800-253-1301**. In Canada, call **1-800-807-6777**.

12/05

Keep this book and your sales slip together for future reference. You must provide proof of purchase or installation date for in-warranty service.

Write down the following information about your major appliance to better help you obtain assistance or service if you ever need it. You will need to know your complete model number and serial number. You can find this information on the model and serial number label located on the product.

Dealer name _____

Address _____

Phone number _____

Model number _____

Serial number _____

Purchase date _____

KITCHENAID® VENTILATION WARRANTY

ONE YEAR LIMITED WARRANTY

For one year from the date of purchase, when this major appliance is operated and maintained according to instructions attached to or furnished with the product, KitchenAid or KitchenAid Canada (hereafter "KitchenAid") will pay for factory specified parts and repair labor to correct defects in materials or workmanship. Service must be provided by a KitchenAid designated service company.

ITEMS KITCHENAID WILL NOT PAY FOR

1. Service calls to correct the installation of your major appliance, to instruct you how to use your major appliance, to replace or repair house fuses or to correct house wiring or plumbing.
 2. Service calls to repair or replace appliance light bulbs, air filters or water filters. Those consumable parts are excluded from warranty coverage.
 3. Repairs when your major appliance is used for other than normal, single-family household use.
 4. Damage resulting from accident, alteration, misuse, abuse, fire, flood, acts of God, improper installation, installation not in accordance with electrical or plumbing codes, or use of products not approved by KitchenAid.
 5. Replacement parts or repair labor costs for units operated outside the United States or Canada.
 6. Pickup and delivery. This major appliance is designed to be repaired in the home.
 7. Repairs to parts or systems resulting from unauthorized modifications made to the appliance.
 8. Expenses for travel and transportation for product service in remote locations.
 9. The removal and reinstallation of your appliance if it is installed in an inaccessible location or is not installed in accordance with published installation instructions.
-

DISCLAIMER OF IMPLIED WARRANTIES; LIMITATION OF REMEDIES

CUSTOMER'S SOLE AND EXCLUSIVE REMEDY UNDER THIS LIMITED WARRANTY SHALL BE PRODUCT REPAIR AS PROVIDED HEREIN. IMPLIED WARRANTIES, INCLUDING WARRANTIES OF MERCHANTABILITY OR FITNESS FOR A PARTICULAR PURPOSE, ARE LIMITED TO ONE YEAR OR THE SHORTEST PERIOD ALLOWED BY LAW. KITCHENAID SHALL NOT BE LIABLE FOR INCIDENTAL OR CONSEQUENTIAL DAMAGES. SOME STATES AND PROVINCES DO NOT ALLOW THE EXCLUSION OR LIMITATION OF INCIDENTAL OR CONSEQUENTIAL DAMAGES, OR LIMITATIONS ON THE DURATION OF IMPLIED WARRANTIES OF MERCHANTABILITY OR FITNESS, SO THESE EXCLUSIONS OR LIMITATIONS MAY NOT APPLY TO YOU. THIS WARRANTY GIVES YOU SPECIFIC LEGAL RIGHTS AND YOU MAY ALSO HAVE OTHER RIGHTS, WHICH VARY FROM STATE TO STATE OR PROVINCE TO PROVINCE.

Outside the 50 United States and Canada, this warranty does not apply. Contact your authorized KitchenAid dealer to determine if another warranty applies.

If you need service, first see the "Troubleshooting" section of the Use & Care Guide. After checking "Troubleshooting," additional help can be found by checking the "Assistance or Service" section or by calling KitchenAid. In the U.S.A., call **1-800-422-1230**. In Canada, call **1-800-807-6777**.

9/05

Keep this book and your sales slip together for future reference. You must provide proof of purchase or installation date for in-warranty service.

Write down the following information about your major appliance to better help you obtain assistance or service if you ever need it. You will need to know your complete model number and serial number. You can find this information on the model and serial number label located on the product.

Dealer name _____
Address _____
Phone number _____
Model number _____
Serial number _____
Purchase date _____

SÉCURITÉ DE LA HOTTE D'ASPIRATION

Votre sécurité et celle des autres est très importante.

Nous donnons de nombreux messages de sécurité importants dans ce manuel et sur votre appareil ménager. Assurez-vous de toujours lire tous les messages de sécurité et de vous y conformer.



Voici le symbole d'alerte de sécurité.

Ce symbole d'alerte de sécurité vous signale les dangers potentiels de décès et de blessures graves à vous et à d'autres.

Tous les messages de sécurité suivront le symbole d'alerte de sécurité et le mot "DANGER" ou "AVERTISSEMENT". Ces mots signifient :

⚠ DANGER

Risque possible de décès ou de blessure grave si vous ne suivez pas immédiatement les instructions.

⚠ AVERTISSEMENT

Risque possible de décès ou de blessure grave si vous ne suivez pas les instructions.

Tous les messages de sécurité vous diront quel est le danger potentiel et vous disent comment réduire le risque de blessure et ce qui peut se produire en cas de non-respect des instructions.

IMPORTANTES INSTRUCTIONS DE SÉCURITÉ

AVERTISSEMENT : AVERTISSEMENT - POUR RÉDUIRE LE RISQUE D'INCENDIE, CHOC ÉLECTRIQUE OU DOMMAGES CORPORELS, RESPECTER LES INSTRUCTIONS SUIVANTES :

- Utiliser cet appareil uniquement dans les applications envisagées par le fabricant. Pour toute question, contacter le fabricant.
- Avant d'entreprendre un travail d'entretien ou de nettoyage, interrompre l'alimentation de la hotte au niveau du tableau de disjoncteurs, et verrouiller le tableau de disjoncteurs pour empêcher tout rétablissement accidentel de l'alimentation du circuit. Lorsqu'il n'est pas possible de verrouiller le tableau de disjoncteurs, placer sur le tableau de disjoncteurs une étiquette d'avertissement proéminente interdisant le rétablissement de l'alimentation.
- Tout travail d'installation ou câblage électrique doit être réalisé par une personne qualifiée, dans le respect des prescriptions de tous les codes et normes applicables, y compris les codes du bâtiment et de protection contre les incendies.
- Une source d'air de débit suffisant est nécessaire pour le fonctionnement correct de tout appareil à gaz (combustion et évacuation des gaz à combustion par la cheminée), pour qu'il n'y ait pas de reflux des gaz de combustion. Respecter les directives du fabricant de l'équipement de chauffage et les prescriptions des normes de sécurité - comme celles publiées par la National Fire Protection Association (NFPA) et l'American Society for Heating, Refrigeration and Air Conditioning Engineers (ASHRAE), et les prescriptions des autorités réglementaires locales.
- Lors d'opérations de découpage et de perçage dans un mur ou un plafond, veiller à ne pas endommager les câblages électriques ou canalisations qui peuvent s'y trouver.
- Les systèmes d'évacuation doivent toujours décharger l'air à l'extérieur.

MISE EN GARDE : Cet appareil est conçu uniquement pour la ventilation générale. Ne pas l'utiliser pour l'extraction de matières ou vapeurs dangereuses ou explosives.

MISE EN GARDE : Pour minimiser le risque d'incendie et évacuer adéquatement les gaz, veiller à acheminer l'air aspiré par un conduit jusqu'à l'extérieur - ne pas décharger l'air aspiré dans un espace vide du bâtiment comme une cavité murale, un plafond, un grenier, un vide sanitaire ou un garage.

AVERTISSEMENT : POUR RÉDUIRE LE RISQUE D'INCENDIE, UTILISER UNIQUEMENT DES CONDUITS MÉTALLIQUES.

AVERTISSEMENT : POUR MINIMISER LE RISQUE D'UN FEU DE GRAISSE SUR LA CUISINIÈRE :

- Ne jamais laisser un élément de surface fonctionner à puissance de chauffage maximale sans surveillance. Un renversement/débordement de matière grasseuse pourrait provoquer une inflammation et la génération de fumée. Utiliser une puissance de chauffage moyenne ou basse pour le chauffage d'huile.
- Veiller à toujours faire fonctionner le ventilateur de la hotte lors de la cuisson avec une puissance de chauffage élevée ou lors de la cuisson d'un mets à flamber (à savoir crêpes Suzette, cerise jubilee, steak au poivre flambé).
- Nettoyer fréquemment les ventilateurs d'extraction. Veiller à ne pas laisser la graisse s'accumuler sur les surfaces du ventilateur ou des filtres.
- Utiliser toujours un ustensile de taille appropriée. Utiliser toujours un ustensile adapté à la taille de l'élément chauffant.

AVERTISSEMENT: POUR RÉDUIRE LE RISQUE DE DOMMAGES CORPORELS APRÈS LE DÉCLENCHEMENT D'UN FEU DE GRAISSE SUR LA CUISINIÈRE, APPLIQUER LES RECOMMANDATIONS SUIVANTES :^a

- Placer sur le récipient un couvercle bien ajusté, une tôle à biscuits ou un plateau métallique **POUR ÉTOUFFER LES FLAMMES**, puis éteindre le brûleur à gaz ou électrique. **VEILLER À ÉVITER LES BRÛLURES.** Si les flammes ne s'éteignent pas immédiatement, **ÉVACUER LA PIÈCE ET APPELER LES POMPIERS.**
- **NE JAMAIS PRENDRE EN MAIN UN RÉCIPENT ENFLAMMÉ** - vous risquez de vous brûler.
- **NE PAS UTILISER D'EAU**, ni un torchon humide - ceci pourrait provoquer une explosion de vapeur brûlante.
- Utiliser un extincteur **SEULEMENT** si :
 - Il s'agit d'un extincteur de classe ABC, dont on connaît le fonctionnement.
 - Il s'agit d'un petit feu encore limité à l'endroit où il s'est déclaré.
 - Les pompiers ont été contactés.
 - Il est possible de garder le dos orienté vers une sortie pendant l'opération de lutte contre le feu.

^aRecommandations tirées des conseils de sécurité en cas d'incendie de cuisine publiés par la NFPA.

CONSERVEZ CES INSTRUCTIONS

EXIGENCES D'INSTALLATION

Outillage et pièces

Rassembler les outils et pièces nécessaires avant de commencer l'installation. Lire et suivre les instructions fournies avec les outils indiqués ici.

Outillage nécessaire

- Niveau
- Perceuse
- Foret de 1¼"
- Clé ou tourne-écrou de ⅜" (8 mm)
- Crayon
- Pince
- Pince à dénuder ou couteau utilitaire
- Mètre-ruban ou règle
- Pistolet de calfeutrage et composé de calfeutrage résistant aux intempéries
- Tournevis Phillips
- Tournevis à lame plate
- Scie sauteuse ou scie à guichet
- Brides pour conduits
- Cisaille de ferblantier

Pièces fournies

Vérifier que toutes les pièces sont présentes.

- Sachet de documents
- 2 vis
- Clapet anti-reflux
- Feuille de protection en plastique (pour panneau avant personnalisé)
- Sachet de pièces de quincaillerie

Pièces nécessaires

- Deux connecteurs de conduit de ½" (12,7 mm) - homologation UL ou CSA
- Bouche de décharge murale
- Circuit d'évacuation en conduit métallique
- Câble d'alimentation

Autres pièces éventuellement nécessaires :

- Tringles d'appui en bois pour placards avec fond en retrait (longueur et épaisseur à choisir en fonction des dimensions de la cavité). Voir la section "Préparation de l'emplacement".
- Deux tringles de bois 1" x 1" x 5" (25,4 x 25,4 x 127 mm) pour le plancher du placard. Voir la section "Préparation de l'emplacement".
- Quatre vis à bois, 1¼" (31,8 mm)

Exigences d'emplacement

IMPORTANT : Observer les dispositions de tous les codes et règlements en vigueur.

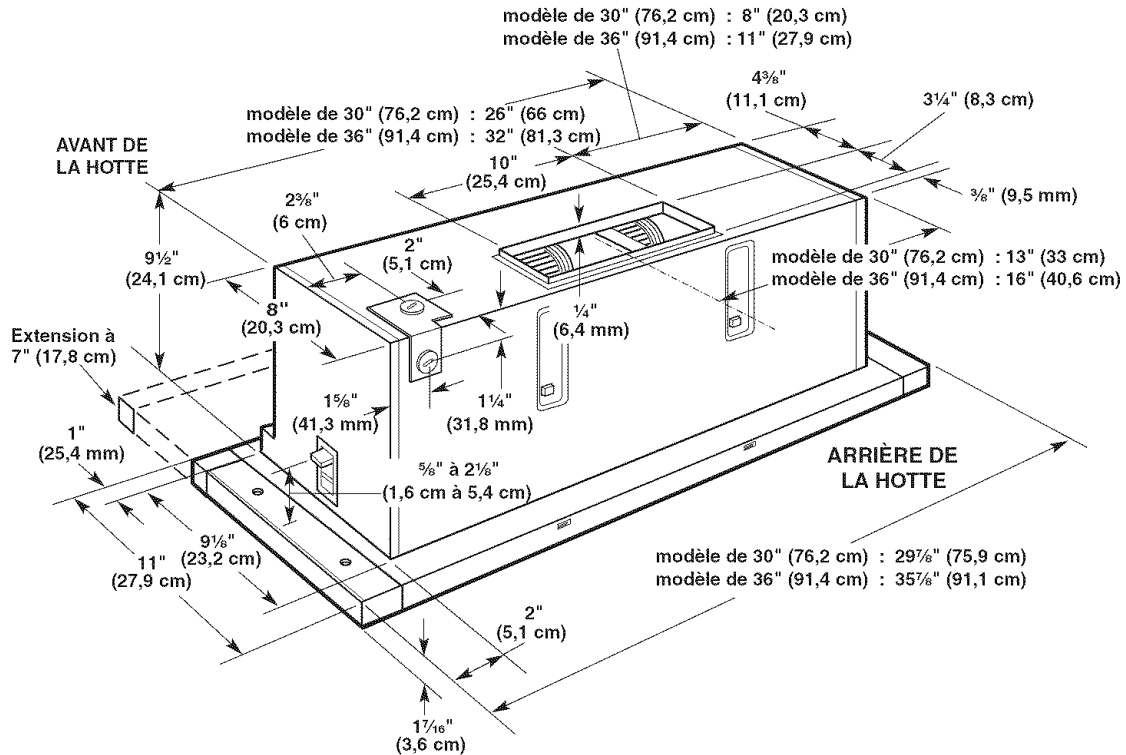
- Confier l'installation de la hotte à un technicien qualifié. C'est à l'installateur qu'incombe la responsabilité de respecter les distances de séparation exigées, spécifiées sur la plaque signalétique de l'appareil. La plaque signalétique de l'appareil est située derrière le filtre de gauche, sur la paroi arrière de la hotte.
- Installer la hotte d'extraction à distance de toute zone exposée à des courants d'air, comme fenêtres, portes et bouches de chauffage.
- Respecter les dimensions indiquées pour la cavité d'installation entre les placards. Les dimensions indiquées prennent en compte les valeurs minimales des dégagements de séparation nécessaires. Consulter les instructions d'installation fournies par le fabricant de la table de cuisson/cuisinière avant d'entreprendre les opérations de découpage.
- On doit disposer d'une prise de courant électrique reliée à la terre. Voir la section "Spécifications électriques".
- La hotte a été configurée à l'usine pour une installation avec décharge à l'extérieur à travers le toit ou le mur.

Pour une installation sans décharge à l'extérieur (recyclage), la pièce n° 883140 (ensemble pour hotte à recyclage) est disponible chez les revendeurs et distributeurs de pièces agréés.
- On devra assurer l'étanchéité de toutes les ouvertures (plafond et mur) découpées pour l'installation de la hotte.

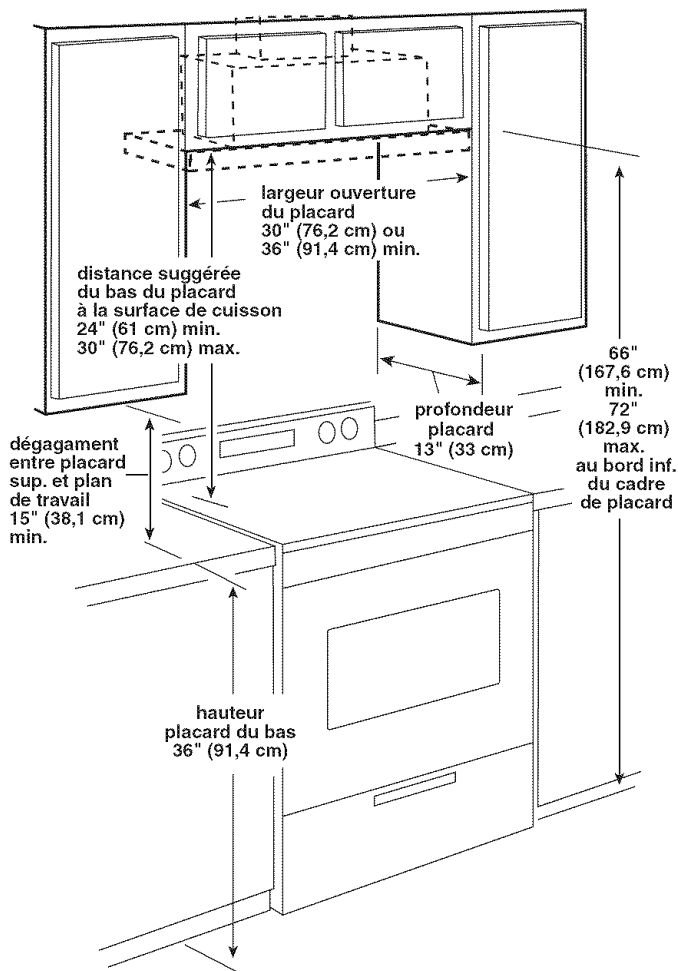
Installation dans une résidence mobile

L'installation de cette hotte doit satisfaire aux exigences de la norme Manufactured Home Construction Safety Standards, Titre 24 CFR, partie 328 (anciennement Federal Standard for Mobile Home Construction and Safety, titre 24, HUD, partie 280); lorsque cette norme n'est pas applicable, l'installation doit satisfaire aux critères de la plus récente édition de la norme Manufactured Home Installation 1982 (Manufactured Home Sites, Communities and Setups) ANSI A225.1/NFPA 501A*, ou des codes et règlements locaux.

Dimensions du produit



Dégagements de séparation à respecter



Exigences concernant l'évacuation

- Le système d'évacuation doit décharger l'air à l'extérieur, excepté pour les installations sans décharge à l'extérieur.
- Ne pas terminer le conduit d'évacuation dans un grenier ou dans un autre espace fermé.
- Ne pas utiliser une bouche de décharge murale de 4" (10,2 cm) normalement utilisée pour un équipement de buanderie.
- Utiliser un conduit métallique seulement. Un conduit en métal rigide est recommandé. Ne pas utiliser un conduit de plastique ou en feuille métallique.
- La taille du conduit doit être uniforme.
- Ne pas utiliser plus de trois coudes à 90°.
- S'assurer qu'il y a au minimum un conduit rectiligne de 24" (61 cm) entre les coudes si plusieurs coudes sont utilisés.
- Ne pas connecter ensemble deux raccords coudés.
- La longueur du système d'évacuation et le nombre de coudes doit être réduit au minimum pour fournir la meilleure performance.
- Le système d'évacuation doit comporter un clapet. Si la bouche de décharge murale ou par le toit comporte un clapet, ne pas utiliser le clapet fourni avec la hotte de cuisinière.
- Au niveau de chaque jointure du conduit de décharge, assurer l'étanchéité avec des brides.
- Assurer l'étanchéité de l'ouverture extérieure pratiquée dans le mur ou le toit avec un produit de calfeutrage.
- Déterminer quelle méthode d'évacuation est la plus appropriée.

Installations pour régions à climat froid

On devrait installer un clapet antireflux additionnel pour minimiser le reflux d'air froid, et incorporer un élément non métallique d'isolation thermique pour minimiser la conduction de chaleur par l'intermédiaire du conduit d'évacuation, de l'intérieur de la maison à l'extérieur. Le clapet anti-reflux doit être placé du côté air froid par rapport à l'élément d'isolation thermique.

L'isolant thermique doit être aussi proche que possible de l'endroit où le système d'évacuation s'introduit dans la partie chauffée de la maison.

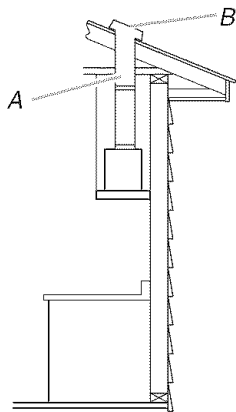
Air d'appoint

Le code du bâtiment local peut exiger l'emploi d'un système d'appoint d'air lors de l'emploi d'un ventilateur d'extraction dont la capacité d'aspiration est supérieure à un débit (pieds cubes par minute) spécifié. Le débit spécifié, pieds cubes par minute, est variable d'une juridiction à une autre. Consulter un professionnel des installations de chauffage ventilation/climatisation au sujet des exigences spécifiques applicables dans la juridiction locale.

Méthodes d'évacuation

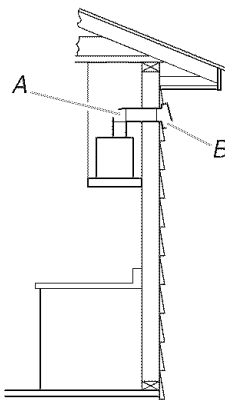
Le système d'évacuation nécessaire pour l'installation n'est pas inclus. Un système rectangulaire de 3¼" x 10" (8,3 cm x 25 cm) est recommandé.

Sortie à travers le toit



A. Conduit de 3¼" x 10" (8,3 cm x 25 cm) à travers le toit
B. Bouche de décharge sur toit

Sortie à travers le mur



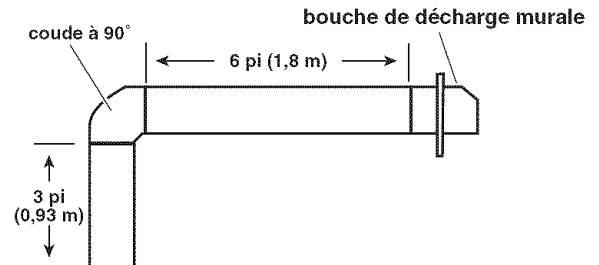
A. Conduit de 3¼" x 10" (8,3 cm x 25 cm) à travers le mur
B. Bouche de décharge murale

Calcul de la longueur effective du circuit d'évacuation

On recommande une longueur du système d'évacuation de 3¼" x 10" (8,3 cm x 25 cm) avec un maximum de 26 pi (8 m). Pour le meilleur rendement, ne pas utiliser plus de trois coudes à 90°.

Pour calculer la longueur effective du circuit d'évacuation nécessaire, additionner les longueurs équivalentes (pieds/mètres) de tous les composants utilisés dans le système.

Exemple de système de décharge 3¼" x 10" (8,3 cm x 25 cm)



Longueur maximum = 26 pi (8 m)

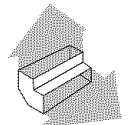
1 - coude à 90°	= 5 pi (1,5 m)
1 - bouche de décharge murale	= 0 pi (0 m)
section droite de 9 pi (2,8 m)	= 9 pi (2,8 m)
Longueur du système	= 14 pi (4,3 m)

Raccords standard recommandés

Composant 3¼" x 10" (8,3 cm x 25 cm)

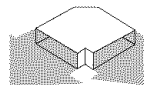
coude à 90° de 3¼" x 10"
(8,3 cm x 25,4 cm)

5 pi
(1,5 m)



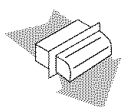
coude plat de 3¼" x 10"
(8,3 cm x 25,4 cm)

12 pi
(3,7 m)



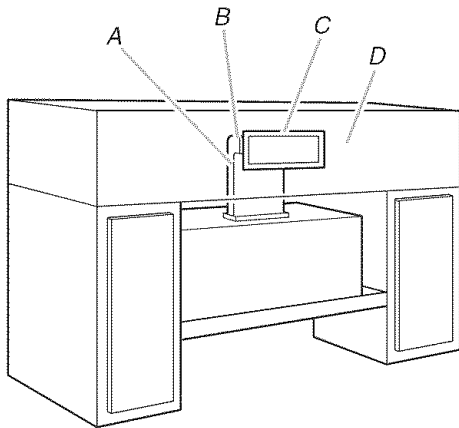
bouche de décharge murale de
3¼" x 10" (8,3 cm x 25,4 cm)

0 pi
(0 m)

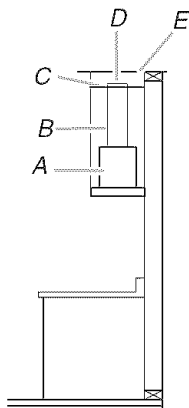


Conduit pour décharge à l'intérieur à travers le soffite/placard

Cette hotte a été configurée à l'usine pour la décharge à l'extérieur à travers le toit ou un mur. Pour une configuration de recyclage à l'intérieur (recyclage), on doit utiliser la pièce n°883140 (ensemble pour hotte à recyclage), disponible chez les revendeurs et distributeurs de pièces agréés. L'installation du clapet anti-reflux n'est pas nécessaire.



- A. Conduit de 3/4" x 10" (8,3 cm x 25 cm)
- B. Coude 3/4" x 10" (8,3 cm x 25 cm)
- C. Couverture d'évent
- D. Soffite



- A. Hotte
- B. Système de décharge
- C. Sommet du placard
- D. Couverture d'évent
- E. Plafond ou soffite

Spécifications électriques

Pour les modèles Série GZ ou IH :

AVERTISSEMENT : Pour minimiser le risque d'incendie ou de choc électrique, ne pas utiliser ce ventilateur avec un dispositif de réglage de vitesse à semi-conducteurs.

Pour les modèles Série KWWU :

Ce ventilateur est utilisable avec un dispositif de réglage de vitesse à semi-conducteurs.

IMPORTANT : Observer les dispositions de tous les codes et règlements en vigueur. Conserver ces instructions d'installation pour consultation par l'inspecteur des installations électriques. C'est au client qu'incombe la responsabilité de contacter un électricien qualifié et de veiller à ce que l'installation électrique soit adéquate et réalisée en conformité avec les prescriptions de la plus récente édition de la norme National Electrical Code, ANSI/NFPA 70, ou de la norme CSA C22.1-94, Code canadien de l'électricité, partie 1 et C22,2 N° 0-M91, et de tous les codes et règlements locaux en vigueur.

Si on utilise un conducteur distinct de liaison à la terre lorsque les codes en vigueur le permettent, il est recommandé qu'un électricien qualifié vérifie la qualité de la liaison à la terre.

Pour obtenir un exemplaire des normes ou codes ci-dessus, contacter :

National Fire Protection Association
One Batterymarch Park, Quincy, MA 02269

CSA International
8501 East Pleasant Valley Road
Cleveland, OH 44131-5575

- L'appareil doit être alimenté par un circuit 120 VCA, 60 Hz, 15 ampères, protégé par fusible.
- Ne pas utiliser une tuyauterie de gaz pour le raccordement à la terre.
- En cas d'incertitude quant à la qualité de la liaison à la terre de la hotte, consulter un électricien qualifié.
- Ne pas installer un fusible en série avec le conducteur neutre ou le conducteur de liaison à la terre.
- La hotte doit être raccordée au réseau électrique uniquement avec des conducteurs de cuivre.
- La hotte doit être raccordée directement au coupe-circuit avec fusible ou au disjoncteur par l'intermédiaire d'un câble à conducteurs de cuivre, à gaine métallique flexible ou à gaine non métallique.
- Le calibre des conducteurs (cuivre seulement) et les connexions doivent être compatibles avec la demande de courant de l'appareil spécifiée sur la plaque signalétique.
- Le calibre des conducteurs doit satisfaire aux prescriptions de la plus récente édition de la norme National Electrical Code, ANSI/NFPA 70, ou de la norme CSA C22.1-94, Code canadien de l'électricité, partie 1 et C22,2 N° 0-M91, et de tous les codes et règlements locaux en vigueur.
- On doit installer un serre-câble de 1/2" (12,7 mm) (homologation UL ou CSA) à chaque extrémité du câble d'alimentation (sur la hotte et sur le tableau de distribution).

INSTRUCTIONS D'INSTALLATION

Préparation de l'emplacement

On recommande que le circuit d'évacuation soit installé avant l'installation de la hotte.

On ne doit couper un poteau de colombage ou une solive que si c'est absolument nécessaire. S'il est nécessaire de couper un poteau ou une solive, on devra construire une structure de support appropriée.

Avant d'exécuter les découpages, vérifier la disponibilité d'un espace de passage suffisant dans le plafond ou le mur pour le conduit d'évacuation.

Préparation

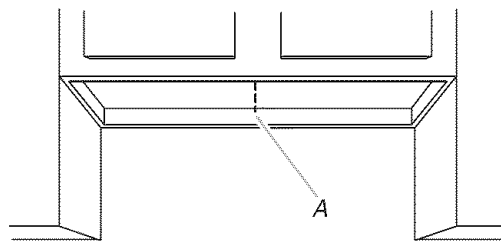
AVERTISSEMENT

Risque du poids excessif

Utiliser deux ou plus de personnes pour déplacer et installer la cuisinière.

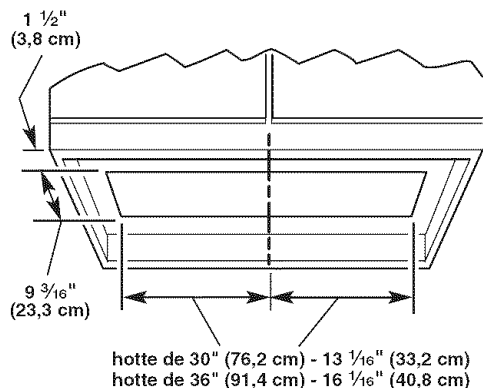
Le non-respect de cette instruction peut causer une blessure au dos ou d'autre blessure.

1. Si possible, déconnecter la cuisinière autonome des circuits d'électricité et de gaz et la retirer lentement de son espace d'installation entre les placards pour faciliter l'accès aux placards muraux et au mur arrière.
2. Déterminer la méthode d'extraction à utiliser : décharge à travers le mur ou le toit, ou recyclage.
3. Tracer l'axe central sur la face inférieure du placard.



A. Axe central

4. Relever les mesures appropriées et tracer les lignes indiquées sur l'illustration, selon la taille de la hotte. Utiliser une scie sauteuse ou scie à guichet pour découper l'ouverture à travers le fond du placard.

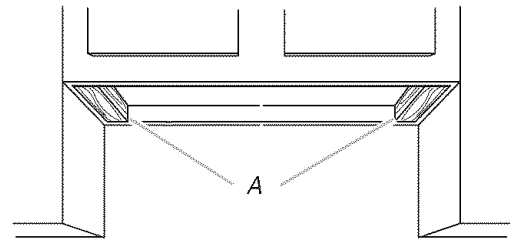


Dimensions de l'ouverture finie :

Hotte de 30" (76,2 cm) - 9 3/16" x 26 1/8" (23,3 cm x 66,4 cm)

Hotte de 36" (91,4 cm) - 9 3/16" x 32 1/8" (23,3 cm x 81,6 cm)

5. Si le fond du placard forme une cavité (présence d'un cadre de support), on devra installer des tringles d'appui en bois à droite et à gauche de l'ouverture découpée pour que la manœuvre du module coulissant soit possible. Les tringles d'appui en bois doivent être en affleurement ou en retrait de 1/16" à 1/8" (1,6 mm à 3,2 mm) par rapport au fond du cadre de support du placard.

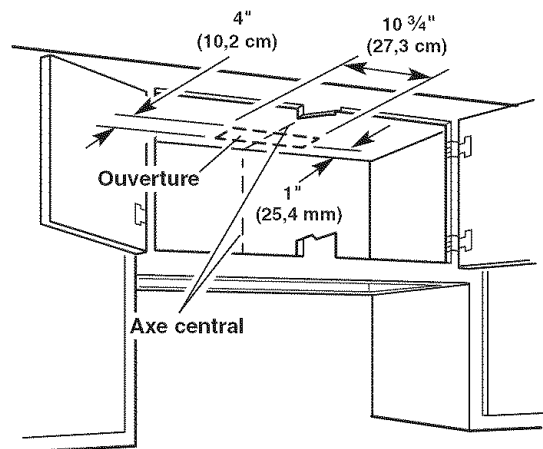


A. Tringles d'appui en bois

6. Terminer la préparation du placard conformément aux instructions, selon le type d'installation.

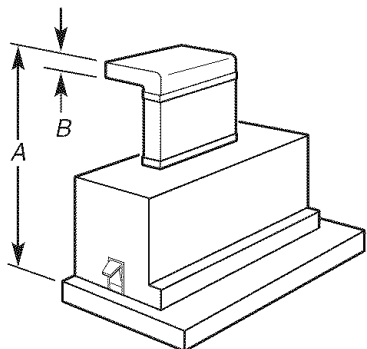
Décharge à l'extérieur, à travers le toit

Relever les mesures appropriées et tracer les lignes indiquées sur l'illustration. Utiliser une scie sauteuse ou scie à guichet pour découper l'ouverture rectangulaire pour le passage du conduit d'évacuation.

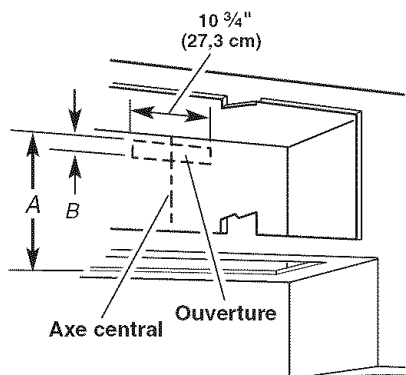


Décharge à travers le mur

Assembler le circuit d'évacuation qui sera utilisé et connecté à l'ouverture de décharge de la hotte. Ne pas déjà raccorder le circuit d'évacuation à la hotte. Mesurer la distance entre le sommet du logement du module coulissant et le sommet du conduit d'évacuation (A), et l'épaisseur du conduit d'évacuation (B). Enlever le conduit d'évacuation.

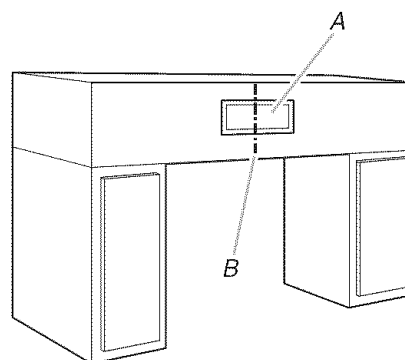


Reporter les dimensions A et B sur le mur arrière dans le placard. Mesurer depuis la face inférieure du placard, ou la face inférieure des tringles d'appui en bois, le cas échéant. Marquer le périmètre de l'ouverture à découper. Utiliser une scie sauteuse ou scie à guichet pour découper une ouverture rectangulaire pour le conduit d'évacuation.



Recyclage à travers le soffite/placard

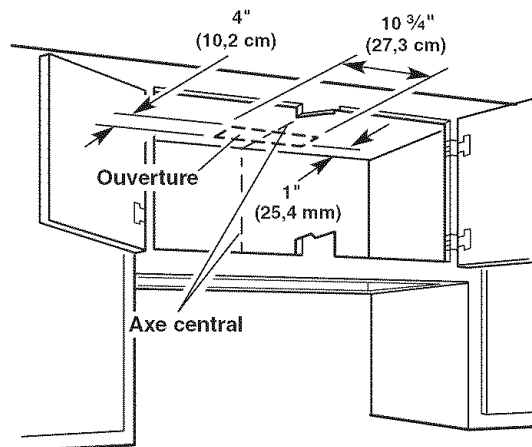
Relever les mesures appropriées et marquer le périmètre de l'ouverture rectangulaire à découper dans le soffite - employer la méthode décrite pour la décharge à travers le mur. Relever les mesures appropriées et tracer le même axe central sur le soffite au-dessus de la hotte.



A. Couverture d'évent
B. Axe central

Utiliser le couvercle d'évent de l'ensemble de circulation d'air ou un autre couvercle comme modèle pour tracer le périmètre de l'ouverture. Utiliser une scie sauteuse ou scie à guichet pour découper une ouverture rectangulaire pour le conduit d'évacuation.

L'air aspiré par la hotte peut être déchargé à l'intérieur, à travers le sommet du placard.



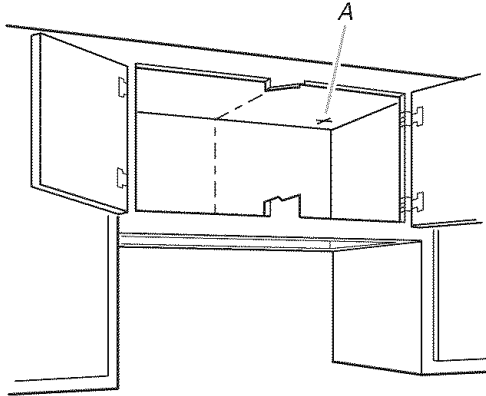
On doit utiliser la pièce n° 883140 - ensemble pour hotte à recyclage.

7. Installer le circuit d'évacuation conformément à la configuration de décharge choisie. Utiliser un calfeutrant pour assurer l'étanchéité au point de traversée du mur extérieur ou du toit.

8. Déterminer quel opercule arrachable doit être enlevé pour le passage du câble d'alimentation.

Câblage à travers le sommet :

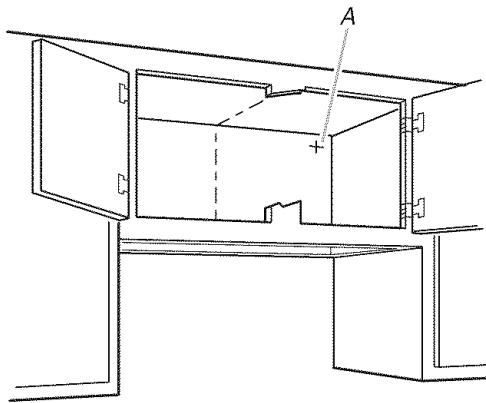
Relever les mesures appropriées et tracer une ligne parallèle [(10 5/8" (27 cm) pour une hotte de 30" (76,2 cm) ou 11 5/8" (29,5 cm) pour une hotte de 36" (91,4 cm)] à droite de l'axe central du plafond du placard. Sur cette ligne, marquer un point à 4" (10,2 cm) de la paroi arrière du placard. Percer un trou de dia. 1 1/4" (3,2 cm) à travers le plafond du placard.



A. Trou de passage du câble

Câblage par l'arrière :

Relever les mesures appropriées et tracer une ligne parallèle [(11 3/8" (29,8 cm) pour une hotte de 30" (76,2 cm) ou 14 3/8" (36,5 cm) pour une hotte de 36" (91,4 cm)] à droite de l'axe central à l'arrière du placard. Sur cette ligne, marquer un point à 8 1/4" (21 cm) du fond du placard. Percer un trou de 1 1/4" (3,2 cm) à travers le mur.



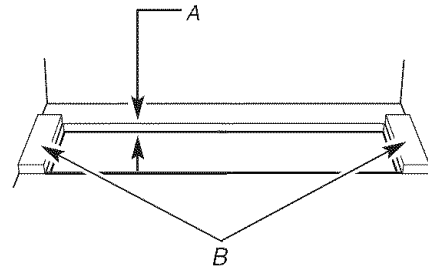
A. Trou de passage du câble

9. Acheminer le câble d'alimentation à travers le mur ou la paroi du placard; veiller à respecter les prescriptions du Code de l'électricité et des codes et règlements locaux en vigueur.

Utiliser un calfeutrant pour assurer l'étanchéité au point de traversée.

REMARQUE : Ne pas mettre la hotte sous tension avant d'avoir complètement terminé l'installation.

10. Mesurer l'épaisseur du plancher du placard, en incluant le cas échéant les tringles d'appui en bois. Si l'épaisseur est inférieure à 5/8" (15,9 mm), installer les tringles d'appui en bois contre le plancher du placard (tringles d'une longueur de 5" (12,7 cm) ou plus). Les brides de montage sont ajustables de 5/8" (15,9 mm) à 2 1/8" (54 mm) pour la prise en compte des tringles d'appui en bois.



A. Moins de 5/8" (15,9 mm)

B. Cales d'appui (épaisseur en fonction des exigences)

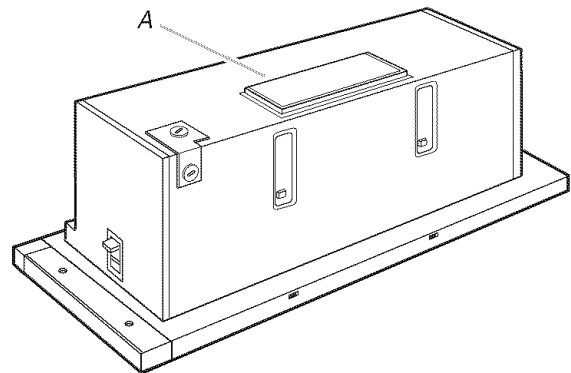
⚠ AVERTISSEMENT

Risque du poids excessif

Utiliser deux ou plus de personnes pour déplacer et installer la hotte de la cuisinière.

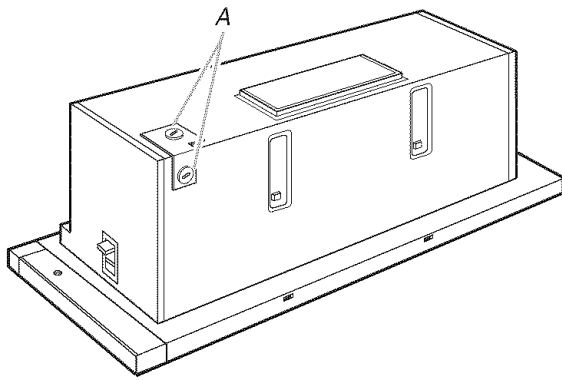
Le non-respect de cette instruction peut causer une blessure au dos ou d'autre blessure.

11. Retirer la hotte de son emballage. Fixer le clapet anti-reflux sur l'ouverture de sortie. Si la bouche de décharge à travers le toit ou la bouche de décharge murale comporte un clapet, ne pas fixer le clapet à la hotte d'évacuation.



A. Clapet

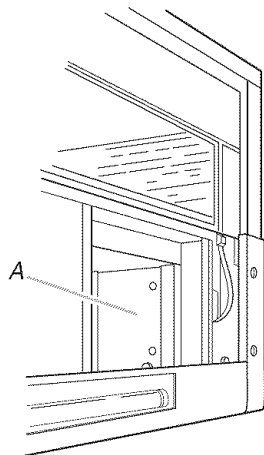
12. Retirer l'opercule arrière ou supérieur (selon le cas) du trou de passage du câble électrique.



A. Opercules arrachables

13. Placer la hotte en appui sur la face arrière, sur une surface protégée.

- Faire glisser le module coulissant vers l'avant.
- Tirer les pattes pour enlever les filtres.
- Ôter le couvercle du boîtier de connexion.
- Fermer le module coulissant.
- Faire glisser les brides de montage jusqu'à la position supérieure.

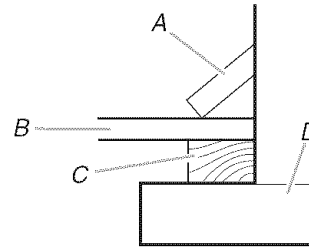


A. Couvercle du boîtier de connexion

REMARQUE : Pour certaines configurations d'installation avec recyclage à l'intérieur, il peut être plus facile de connecter le conduit d'évacuation à la hotte avant de soulever la hotte jusqu'à sa position de service. Assurer l'étanchéité de chaque connexion avec des brides.

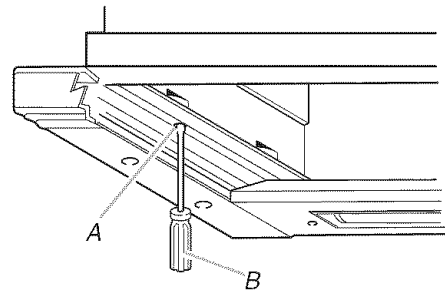
Installation de la hotte de cuisinière

- Soulever la hotte jusqu'à sa position de service finale et faire passer le câble électrique à travers l'ouverture prévue à cet effet dans la hotte de la cuisinière. Les brides de montage doivent chevaucher le fond du placard ou les tringles d'appui en bois. Centrer la hotte.



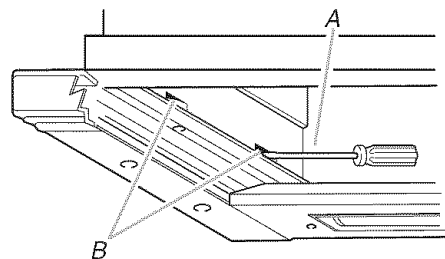
A. Bride de montage
B. Fond du placard
C. Cale d'appui en bois (facultative)
D. Hotte d'extraction

- Vérifier que le panneau avant est parallèle à la façade des placards lorsque le module coulissant est enfoncé. Faire glisser le module coulissant vers l'avant. Serrer les vis de la bride de montage pour fixer la hotte au placard.



A. Vis pour bride de montage
B. Tournevis à lame plate

- Aligner le panneau avant avec le placard. Faire glisser le module coulissant vers l'avant. Identifier les 2 vis de part et d'autre; desserrer les vis (rotation dans le sens antihoraire). Ajuster la position verticale de la hotte, de $\frac{3}{8}$ " (9,5 mm) vers le haut ou vers le bas, ou horizontalement, de $\frac{3}{4}$ " (19 mm) vers l'avant ou l'arrière, pour placer le panneau de façade en affleurement avec le placard. Serrer les vis. S'il est nécessaire d'ajuster les dimensions indiquées, abaisser la hotte et ajouter ou ôter les tringles d'appui ou repercer les trous de montage.



A. Tournevis Phillips
B. Vis de réglage

Raccordement électrique

⚠ AVERTISSEMENT



Risque de choc électrique

Déconnecter la source de courant électrique avant l'entretien.

Replacer pièces et panneaux avant de faire la remise en marche.

Le non-respect de ces instructions peut causer un décès ou un choc électrique.

1. Déconnecter la source de courant électrique.
2. Connecter ensemble le conducteur blanc du câble d'alimentation et le conducteur blanc de la hotte - utiliser un connecteur de fils.
3. Connecter ensemble le conducteur noir du câble d'alimentation et le conducteur noir de la hotte - utiliser un connecteur de fils.

⚠ AVERTISSEMENT



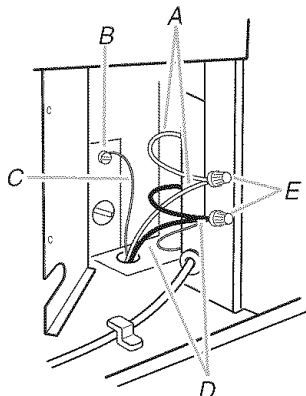
Risque de choc électrique

Relier le ventilateur à la terre.

Brancher le fil relié à la terre à la vis verte reliée la terre dans la boîte de la borne.

Le non-respect de cette instruction peut causer un décès ou un choc électrique.

4. Connecter le conducteur de liaison à la terre du câble d'alimentation à la vis verte de liaison à la terre à l'intérieur du boîtier de connexion de la hotte.



A. Conducteurs blancs

B. Vis verte de liaison à la terre

C. Conducteur de liaison à la terre

D. Conducteurs noirs

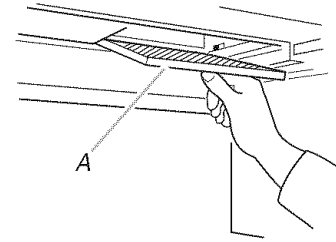
E. Connecteurs de fils

5. Réinstaller le couvercle du boîtier de connexion.

Raccordement du circuit d'évacuation

Installations avec décharge à l'extérieur (recyclage) :

Réinstaller le filtre métallique. Connecter le circuit d'évacuation sur le raccord de l'ouverture de décharge de la hotte. Assurer l'étanchéité de chaque connexion avec de brides.



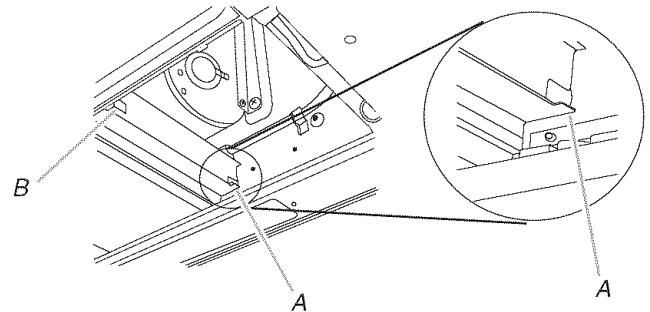
A. Filtre

Installations sans décharge à l'extérieur :

Connecter le circuit d'évacuation sur le raccord de l'ouverture de décharge de la hotte. Assurer l'étanchéité de chaque connexion avec du ruban adhésif pour conduits.

Installation de l'ensemble de recyclage (Pièce n° 883140)

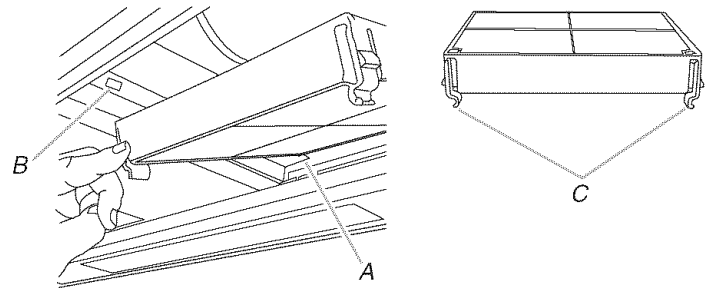
1. Sortir la hotte de cuisinière pour exposer les filtres.
2. Ôter les 2 filtres métalliques.
3. Localiser les onglets "A" et les fentes "B" dans l'ouverture. Il s'agit de l'endroit où le filtre se mettra en place.



A. Onglet

B. Fente

4. Placer le filtre à charbon dans l'ouverture, en faisant reposer l'arrière du filtre sur les onglets "A", puis fixer les onglets "C" du filtre dans les fentes "B".



A. Onglet

B. Fente

C. Onglets du filtre

5. Réinstaller les filtres métalliques.
 6. Reconnecter la source de courant électrique.
 7. Contrôler le fonctionnement du ventilateur de la hotte et des lampes.
 8. Remettre la hotte de cuisinière en place.
- Pour commander des ensembles de rechange, voir la section "Assistance ou service".

Ensembles de garniture (option)

Des ensembles de garniture permettant d'assortir le panneau avant à la couleur de la cuisinière ou de la table de cuisson sont disponibles chez les revendeurs.

Pour des renseignements sur la commande, voir la section "Assistance ou service".

Pour les modèles de 30" (76,2 cm)

Séries KVVU205 :

- Pièce n° 4360201 (blanc)
- Pièce n° 4360203 (noir)
- Pièce n° 4392855 (biscuit)

Pour les modèles de 36" (91,4 cm)

Séries KVVU265 :

- Pièce n° 4360202 (blanc)
- Pièce n° 4360204 (noir)
- Pièce n° 4392856 (biscuit)

Pour les modèles de 30" (76,2 cm)

Séries GZ7730 :

- Pièce n° 4396067 (blanc)
- Pièce n° 4396066 (noir)
- Pièce n° 8171368 (biscuit)

IH5302 :

Pièce n° 4396844 (blanc)

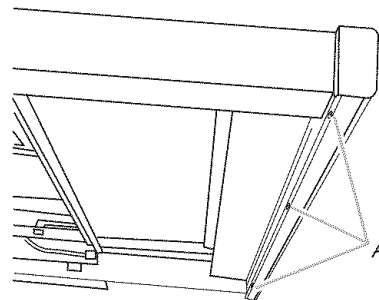
Pour les modèles de 36" (91,4 cm)

Séries GZ7736 :

- Pièce n° 4396069 (blanc)
- Pièce n° 4396068 (noir)
- Pièce n° 8171369 (biscuit)

Installation de l'ensemble de garniture

1. Sortir la hotte de cuisinière pour accéder plus facilement aux vis.
2. Ôter les 3 vis de montage directement derrière le panneau avant et retirer la garniture de la hotte de cuisinière.



A. Trois vis de montage

3. Retirer la garniture existante et installer la nouvelle pièce.
4. Réinstaller le panneau avant à l'aide des 3 vis de montage.
5. Remettre la hotte de cuisinière en place.

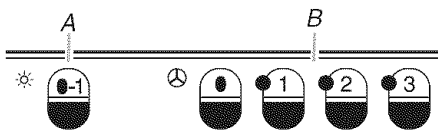
UTILISATION DE LA HOTTE DE CUISINIÈRE

La hotte est conçue pour extraire fumée, vapeurs de cuisson et odeurs au-dessus de la table de cuisson. Pour obtenir les meilleurs résultats, mettre de la hotte en marche avant d'entreprendre une cuisson, et la laisser fonctionner pendant plusieurs minutes après l'achèvement d'une cuisson pour pouvoir évacuer de la cuisine toute trace d'odeur de cuisson, ou fumée.

3. Pour arrêter le ventilateur, appuyer sur le bouton 0 ou fermer le module coulissant.

Le ventilateur s'arrête lorsque le module coulissant est à environ 2" (5,1 cm) de la position de fermeture. Lorsque le module coulissant est ouvert, le ventilateur fonctionne à la vitesse correspondant à la dernière sélection.

Modèles Séries KVVU



- A. Bouton de commande de l'éclairage
- B. Boutons de réglage de la vitesse

Commande d'éclairage

1. Ouvrir le module coulissant d'environ 1" (2,5 cm).
2. Appuyer sur le bouton de commande de l'éclairage.
La lampe s'allume chaque fois qu'on ouvre le module coulissant. On peut utiliser la lampe de la hotte comme source d'éclairage nocturne - il suffit d'ouvrir le module coulissant d'environ 1" (2,5 cm).
3. Pour commander l'extinction, appuyer sur le bouton de commande de l'éclairage.

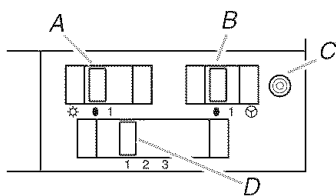
On peut également fermer le module coulissant pour commander l'extinction de la lampe.

Commande du ventilateur

1. Faire glisser le module coulissant vers l'avant.
2. Appuyer sur les boutons appropriés pour sélectionner la vitesse désirée du ventilateur.

À tout moment durant le fonctionnement du ventilateur de la hotte, on peut commander l'augmentation ou la diminution de la vitesse, ou l'arrêt du ventilateur. Lorsque le ventilateur fonctionne, le témoin lumineux situé à côté du bouton correspondant à la vitesse sélectionnée doit s'allumer.

Modèles Séries GZ et IH



- A. Commutateur d'éclairage
B. Commutateur du ventilateur
C. Témoin lumineux
D. Sélecteur de vitesse

Commande du ventilateur

1. Faire glisser le module coulissant vers l'avant.
2. Placer le commutateur du ventilateur à la position 1.
3. Placer le bouton du sélecteur de vitesse à la position désirée.

Durant le fonctionnement du ventilateur de la hotte, on peut à tout moment commander l'augmentation ou la diminution de la vitesse, ou l'arrêt du ventilateur. Le témoin doit être illuminé lorsque le ventilateur fonctionne.

4. Placer le commutateur du ventilateur à la position 0 ou fermer le module coulissant de verre.

Le ventilateur s'arrête lorsque le module coulissant est à environ 2" (5,1 cm) de la position de fermeture. Lorsque le module coulissant est ouvert, le ventilateur fonctionne à la vitesse correspondant à la dernière sélection.

Commande d'éclairage

1. Ouvrir le module coulissant d'environ 1" (2,5 cm).
2. Placer le commutateur d'éclairage à la position 1.

La lampe s'allume chaque fois qu'on ouvre le module coulissant. On peut utiliser la lampe de la hotte comme source d'éclairage nocturne - il suffit d'ouvrir le module coulissant d'environ 1" (2,5 cm).

3. Placer le commutateur d'éclairage à la position 0.
On peut également fermer le module coulissant pour commander l'extinction de la lampe.

ENTRETIEN DE LA HOTTE DE CUISINIÈRE

Nettoyage

Surfaces extérieures :

- Nettoyer la hotte avec un détergent doux et un chiffon doux.
- Ne pas utiliser un produit de nettoyage abrasif ou un tampon de laine d'acier.

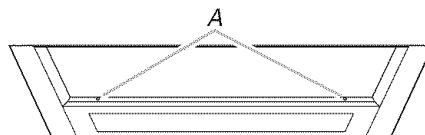
Filtres métalliques :

Pour obtenir les meilleurs résultats, nettoyer fréquemment les filtres. Tirer les pattes vers le bas pour retirer les filtres. Laver les filtres au lave-vaisselle ou avec une solution d'eau savonneuse chaude.

Remplacement de la lampe

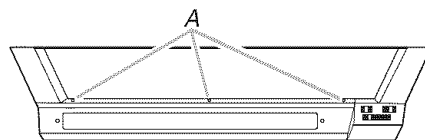
1. Utiliser une lampe fluorescente de 15 watts pour le modèle de 30" (76,2 cm), ou une lampe de 18 watts pour le modèle de 36" (91,4 cm).
2. Ôter les vis au-dessus du couvercle de la lampe; conserver les vis.
3. Tirer légèrement le couvercle vers l'avant puis vers le bas pour l'enlever.
4. Remplacer la lampe.
5. Réinstaller le couvercle de la lampe.
6. Réinstaller les vis.

Modèles Séries KWVU



A. Vis

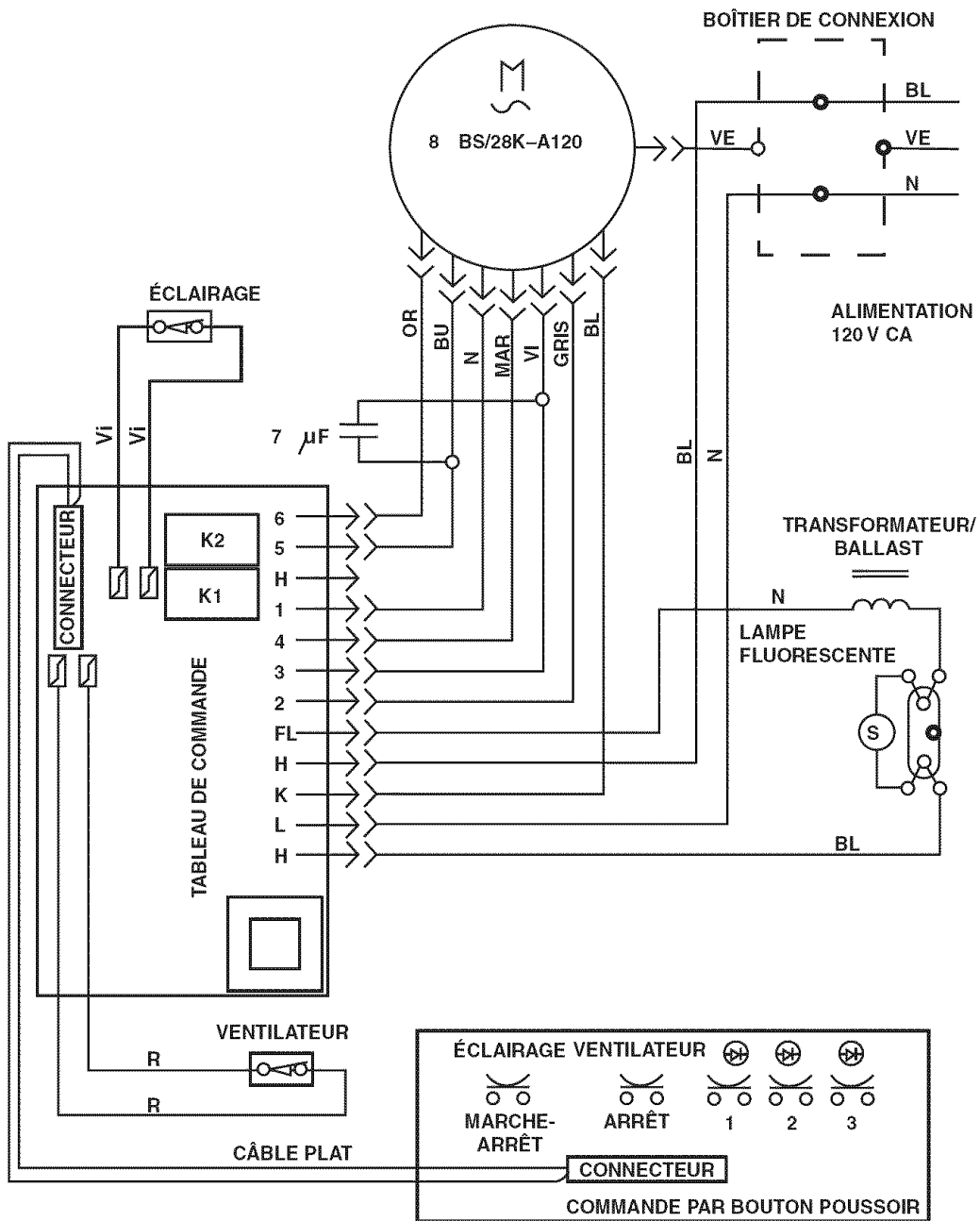
Modèles Séries GZ et IH

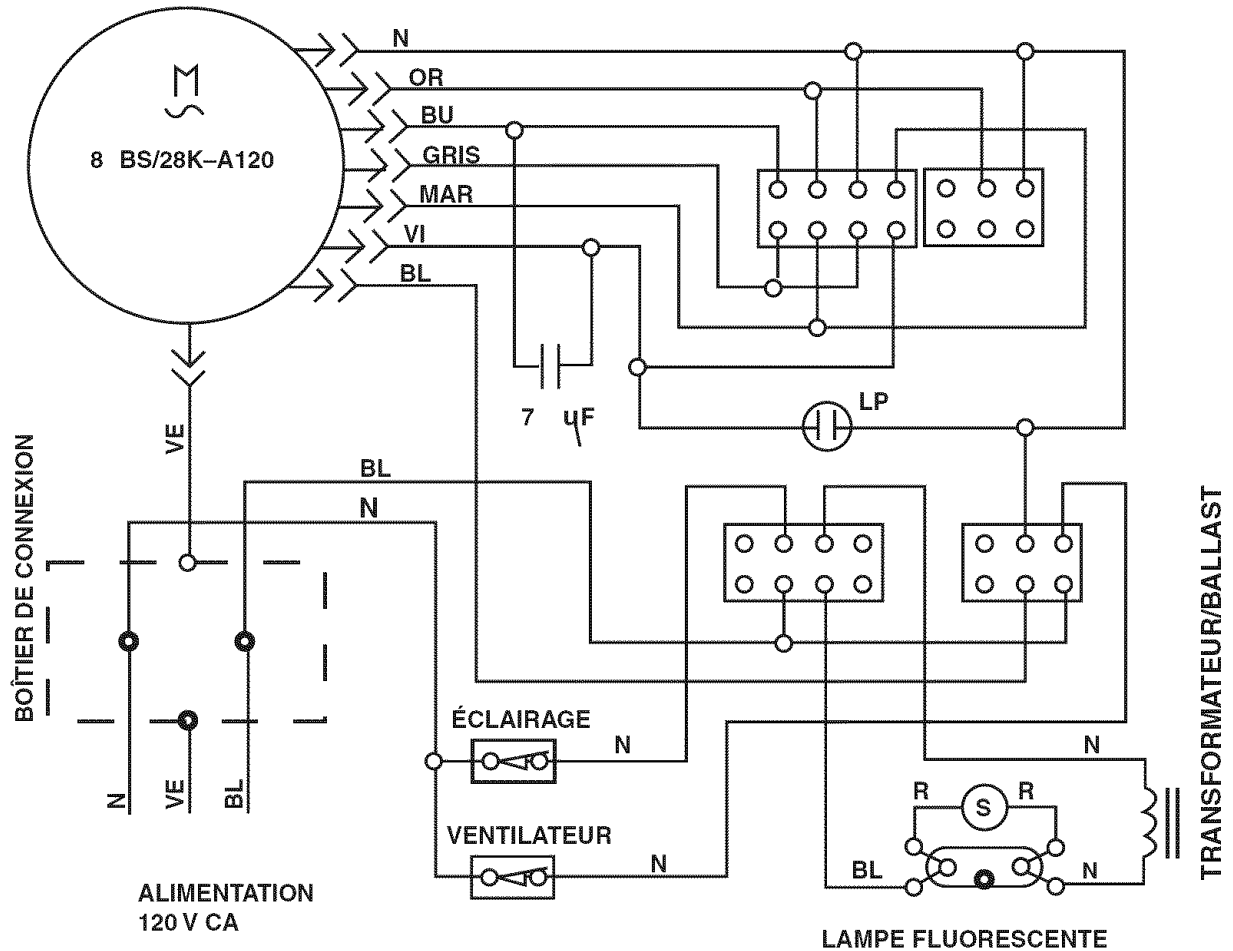


A. Vis

SCHÉMA DE CÂBLAGE

Modèles Séries KVVU





ASSISTANCE OU SERVICE

Avant de faire un appel pour assistance ou service, consulter la section "Dépannage". Ce guide peut vous faire économiser le coût d'une visite de service. Si vous avez encore besoin d'aide, suivre les instructions ci-dessous.

Lors d'un appel, veuillez connaître la date d'achat, le numéro de modèle et le numéro de série au complet de l'appareil. Ces renseignements nous aideront à mieux répondre à votre demande.

Si vous avez besoin de pièces de rechange

Si vous avez besoin de commander des pièces de rechange, nous vous recommandons d'employer uniquement des pièces spécifiées par l'usine. Les pièces spécifiées par l'usine fonctionneront bien parce qu'elles sont fabriquées avec la même précision utilisée dans la fabrication de chaque nouvel appareil. Pour localiser des pièces spécifiées par l'usine d'origine dans votre région, nous appeler ou téléphoner au centre de service désigné le plus proche.

Veuillez appeler sans frais le Centre d'interaction avec la clientèle de Whirlpool Canada LP au : **1-800-807-6777**.

Nos consultants vous renseigneront sur les sujets suivants :

- Caractéristiques et spécifications sur toute notre gamme d'appareils électroménagers.
- Consignes d'utilisation et d'entretien.
- Ventes d'accessoires et pièces de rechange.
- Références aux marchands locaux, aux distributeurs de pièces de rechange et aux compagnies de service. Les techniciens de service désignés par Whirlpool Canada LP sont formés pour remplir la garantie des produits et fournir un service après la garantie, partout au Canada.

Pour plus d'assistance

Si vous avez besoin de plus d'assistance, vous pouvez soumettre par écrit toute question ou préoccupation à Whirlpool Canada LP à l'adresse suivante :

Centre d'interaction avec la clientèle
Whirlpool Canada LP
1901 Minnesota Court
Mississauga, Ontario L5N 3A7

Veuillez inclure dans votre correspondance un numéro de téléphone où on peut vous joindre dans la journée.

GARANTIE DES GROS APPAREILS MÉNAGERS WHIRLPOOL CORPORATION

GARANTIE LIMITÉE DE UN AN

Pendant un an à compter de la date d'achat, lorsque ce gros appareil ménager est utilisé et entretenu conformément aux instructions jointes à ou fournies avec le produit, Whirlpool Corporation ou Whirlpool Canada LP (ci-après désignées "Whirlpool") paiera pour les pièces spécifiées par l'usine et la main-d'œuvre pour corriger les vices de matériaux ou de fabrication. Le service doit être fourni par une compagnie de service désignée par Whirlpool. Cette garantie limitée s'applique exclusivement lorsque l'appareil est utilisé dans le pays où il a été acheté.

WHIRLPOOL NE PRENDRA PAS EN CHARGE

1. Les visites de service pour rectifier l'installation du gros appareil ménager, montrer à l'utilisateur comment utiliser l'appareil, remplacer ou réparer des fusibles ou rectifier le câblage ou la plomberie du domicile.
2. Les visites de service pour réparer ou remplacer les ampoules électriques de l'appareil, les filtres à air ou les filtres à eau. Ces pièces consommables ne sont pas couvertes par la garantie.
3. Les réparations lorsque le gros appareil ménager est utilisé à des fins autres que l'usage unifamilial normal.
4. Les dommages imputables à : accident, modification, usage impropre ou abusif, incendie, inondation, actes de Dieu, installation fautive ou installation non conforme aux codes d'électricité ou de plomberie, ou l'utilisation de produits non approuvés par Whirlpool.
5. Toute perte d'aliments due à une défaillance du réfrigérateur ou du congélateur.
6. Le coût des pièces de rechange et de la main-d'œuvre pour les appareils utilisés hors des États-Unis ou du Canada.
7. Le ramassage et la livraison. Ce gros appareil ménager est conçu pour être réparé à domicile.
8. Les réparations aux pièces ou systèmes résultant d'une modification non autorisée faite à l'appareil.
9. Les frais de transport pour le service d'un produit dans les régions éloignées.
10. La dépose et la réinstallation de votre appareil si celui-ci est installé dans un endroit inaccessible ou n'est pas installé conformément aux instructions d'installation fournies.
11. Le coût des pièces de rechange et de la main-d'œuvre lorsque l'appareil est utilisé dans un pays autre que le pays où il a été acheté.

CLAUSE D'EXONÉRATION DE RESPONSABILITÉ AU TITRE DES GARANTIES IMPLICITES; LIMITATION DES RECOURS

LE SEUL ET EXCLUSIF RECOURS DU CLIENT DANS LE CADRE DE LA PRÉSENTE GARANTIE LIMITÉE CONSISTE EN LA RÉPARATION PRÉVUE CI-DESSUS. LES GARANTIES IMPLICITES, Y COMPRIS LES GARANTIES APPLICABLES DE QUALITÉ MARCHANDE ET D'APTITUDE À UN USAGE PARTICULIER, SONT LIMITÉES À UN AN OU À LA PLUS COURTE PÉRIODE AUTORISÉE PAR LA LOI. WHIRLPOOL N'ASSUME AUCUNE RESPONSABILITÉ POUR LES DOMMAGES FORTUITS OU INDIRECTS. CERTAINES JURIDICTIONS NE PERMETTENT PAS L'EXCLUSION OU LA LIMITATION DES DOMMAGES FORTUITS OU INDIRECTS, OU LES LIMITATIONS DE LA DURÉE DES GARANTIES IMPLICITES DE QUALITÉ MARCHANDE OU D'APTITUDE À UN USAGE PARTICULIER, DE SORTE QUE CES EXCLUSIONS OU LIMITATIONS PEUVENT NE PAS S'APPLIQUER DANS VOTRE CAS. CETTE GARANTIE VOUS CONFÈRE DES DROITS JURIDIQUES SPÉCIFIQUES ET VOUS POUVEZ ÉGALEMENT JOUIR D'AUTRES DROITS QUI PEUVENT VARIER D'UNE JURIDICTION À UNE AUTRE.

À l'extérieur du Canada et des 50 États des États-Unis, cette garantie ne s'applique pas. Contacter votre marchand Whirlpool autorisé pour déterminer si une autre garantie s'applique.

Si vous avez besoin de service, voir d'abord la section "Dépannage" du Guide d'utilisation et d'entretien. Après avoir vérifié la section "Dépannage", de l'aide supplémentaire peut être trouvée en vérifiant la section "Assistance ou service" ou en appelant Whirlpool. Aux É.-U., composer le **1-800-253-1301**. Au Canada, composer le **1-800-807-6777**. 12/05

Conservez ce manuel et votre reçu de vente ensemble pour référence ultérieure. Pour le service sous garantie, vous devez présenter un document prouvant la date d'achat ou d'installation.

Inscrivez les renseignements suivants au sujet de votre gros appareil ménager pour mieux vous aider à obtenir assistance ou service en cas de besoin. Vous devrez connaître le numéro de modèle et le numéro de série au complet. Vous trouverez ces renseignements sur la plaque signalétique située sur le produit.

Nom du marchand _____

Adresse _____

Numéro de téléphone _____

Numéro de modèle _____

Numéro de série _____

Date d'achat _____

GARANTIE DU SYSTÈME DE VENTILATION KITCHENAID®

GARANTIE LIMITÉE DE UN AN

Pendant un an à compter de la date d'achat, lorsque ce gros appareil ménager est utilisé et entretenu conformément aux instructions jointes à ou fournies avec le produit, KitchenAid ou KitchenAid Canada (ci-après désignées "KitchenAid") paiera pour les pièces spécifiées par l'usine et la main-d'œuvre pour corriger les vices de matériaux ou de fabrication. Le service doit être fourni par une compagnie de service désignée par KitchenAid.

KITCHENAID NE PRENDRA PAS EN CHARGE

1. Les visites de service pour rectifier l'installation du gros appareil ménager, montrer à l'utilisateur comment utiliser l'appareil, remplacer ou réparer des fusibles ou rectifier le câblage ou la plomberie du domicile.
2. Les visites de service pour réparer ou remplacer les ampoules électriques de l'appareil, les filtres à air ou les filtres à eau. Ces pièces consommables ne sont pas couvertes par la garantie.
3. Les réparations lorsque le gros appareil ménager est utilisé à des fins autres que l'usage unifamilial normal.
4. Les dommages imputables à : accident, modification, usage impropre ou abusif, incendie, inondation, actes de Dieu, installation fautive ou installation non conforme aux codes d'électricité ou de plomberie, ou l'utilisation de produits non approuvés par KitchenAid.
5. Le coût des pièces de rechange et de la main-d'œuvre pour les appareils utilisés hors des États-Unis ou du Canada.
6. Le ramassage et la livraison. Ce gros appareil ménager est conçu pour être réparé à domicile.
7. Les réparations aux pièces ou systèmes résultant d'une modification non autorisée faite à l'appareil.
8. Les frais de voyage ou de transport pour le service d'un produit dans les régions éloignées.
9. La dépose et la réinstallation de votre appareil si celui-ci est installé dans un endroit inaccessible ou n'est pas installé conformément aux instructions d'installation fournies.

CLAUSE D'EXONÉRATION DE RESPONSABILITÉ AU TITRE DES GARANTIES IMPLICITES; LIMITATION DES RECOURS

LE SEUL ET EXCLUSIF RECOURS DU CLIENT DANS LE CADRE DE LA PRÉSENTE GARANTIE LIMITÉE CONSISTE EN LA RÉPARATION PRÉVUE CI-DESSUS. LES GARANTIES IMPLICITES, Y COMPRIS LES GARANTIES APPLICABLES DE QUALITÉ MARCHANDE ET D'APTITUDE À UN USAGE PARTICULIER, SONT LIMITÉES À UN AN OU À LA PLUS COURTE PÉRIODE AUTORISÉE PAR LA LOI. KITCHENAID N'ASSUME AUCUNE RESPONSABILITÉ POUR LES DOMMAGES FORTUITS OU INDIRECTS. CERTAINES JURIDICTIONS NE PERMETTENT PAS L'EXCLUSION OU LA LIMITATION DES DOMMAGES FORTUITS OU INDIRECTS, OU LES LIMITATIONS DE LA DURÉE DES GARANTIES IMPLICITES DE QUALITÉ MARCHANDE OU D'APTITUDE À UN USAGE PARTICULIER, DE SORTE QUE CES EXCLUSIONS OU LIMITATIONS PEUVENT NE PAS S'APPLIQUER DANS VOTRE CAS. CETTE GARANTIE VOUS CONFÈRE DES DROITS JURIDIQUES SPÉCIFIQUES ET VOUS POUVEZ ÉGALEMENT JOUIR D'AUTRES DROITS QUI PEUVENT VARIER D'UNE JURIDICTION À UNE AUTRE.

À l'extérieur du Canada et des 50 États des États-Unis, cette garantie ne s'applique pas. Contacter votre marchand KitchenAid autorisé pour déterminer si une autre garantie s'applique.

Si vous avez besoin de service, voir d'abord la section "Dépannage" du Guide d'utilisation et d'entretien. Après avoir vérifié la section "Dépannage", de l'aide supplémentaire peut être trouvée en vérifiant la section "Assistance ou service" ou en appelant KitchenAid. Aux É.-U., composer le **1-800-422-1230**. Au Canada, composer le **1-800-807-6777**. 9/05

Conservez ce manuel et votre reçu de vente ensemble pour référence ultérieure. Pour le service sous garantie, vous devez présenter un document prouvant la date d'achat ou d'installation.

Inscrivez les renseignements suivants au sujet de votre gros appareil ménager pour mieux vous aider à obtenir assistance ou service en cas de besoin. Vous devrez connaître le numéro de modèle et le numéro de série au complet. Vous trouverez ces renseignements sur la plaque signalétique située sur le produit.

Nom du marchand _____

Adresse _____

Numéro de téléphone _____

Numéro de modèle _____

Numéro de série _____

Date d'achat _____

9763393A

© 2006.
All rights reserved.
Tous droits réservés.

1/06
Printed in Italy
Imprimé en Italie