

INSTALLATION INSTRUCTIONS FOR YOUR MICROWAVE OVEN

MS3080XY

UTC KIT # 4319128

IMPORTANT SAFETY INSTRUCTIONS

Your microwave oven is designed to be installed under properly constructed, good condition wood or metal cabinets that are sturdy enough to support the items you have in the cabinet, plus an additional 90 pounds from the cabinet bottom.

Empty the contents of your selected cabinet and the delicate items in adjoining cabinets (NOTE:When drilling the holes, the vibration could cause damage to fragile items such as crystal or china.)

Now, you must inspect your cabinets.

If any of the following conditions exist, then it is your personal responsibility to test the cabinets or contact a qualified cabinet maker.

- (1) Separation of joints between the bottom shelf and the cabinet structure.
- (2) Splitting, cracking, or other signs of deterioration.
- (3) Check the number of screws used to install your cabinets. If your cabinet is attached to the wall with only two screws at the top, then you must add two screws at the bottom to firmly secure your cabinets to the wall. **When adding the screws, be sure that they enter wall studs(with at least 1/2 inch penetration).**

(4) On wood cabinets, the bottom shelf must be at least 3/16" thick masonite or plywood.

(5) Be sure that the underside of the cabinet is at least 24 inches wide and 12 inches deep

To test your cabinet's bottom shelf, place the following load on it:90 lbs. plus the equivalent weight of items normally stored on this shelf. you may consider using jugs of water, bricks, or books, to obtain the test-load.

PLEASE NOTE: If your cabinet is properly constructed and suitably installed it will withstand this test without any damage; however, there is the possibility of damage should the cabinet be incapable of supporting the additional load.

The Manufacturer is NOT RESPONSIBLE FOR ANY DAMAGE OR OTHER CONSEQUENCES resulting from the performance of this test.

If you are unsure that your cabinets are suitable for this type of installation, you may use the microwave oven on your countertop.

MICROWAVE OVEN INSTALLATION INSTRUCTIONS

Tools and Parts

The following tools are needed for installation of your unit:

- Drill and 1/2" drill bit
- Phillips and flat blade screwdrivers
- Nail or center punch
- Pencil and ruler
- Scissors
- Hammer
- Scotch Tape

Installation Parts List

The following is a list of the parts that you may need for installation of your unit. Remove all parts from the cooking cavity and compare them with the parts list and illustration(Fig.1)

to be sure that none are missing. Use this time to become familiar with each piece.

Parts List

1. Tap tite screw <2>
2. Mounting screw <2 sets>
3. Template
4. Mounting Holder <2>
5. U.T.C. Bracket ASM <2>
6. Cabinet Bracket <2>

Upon completing your check of the parts list, read all instructions completely before starting the installation. This will help you to become familiar with the process and make installation easier.

(Note:It is suggested that you gather all needed tools and installation parts in one location.)

Preparations

Open the template and cut both segments along the dotted lines. You should have two separate pieces

(Fig.2):

- Template 1
- Template 2

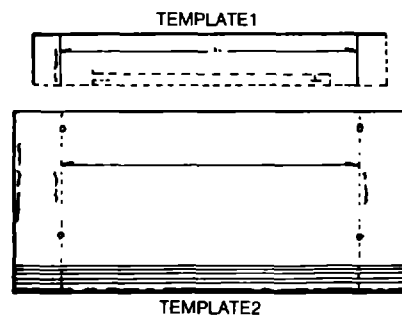


Fig.2

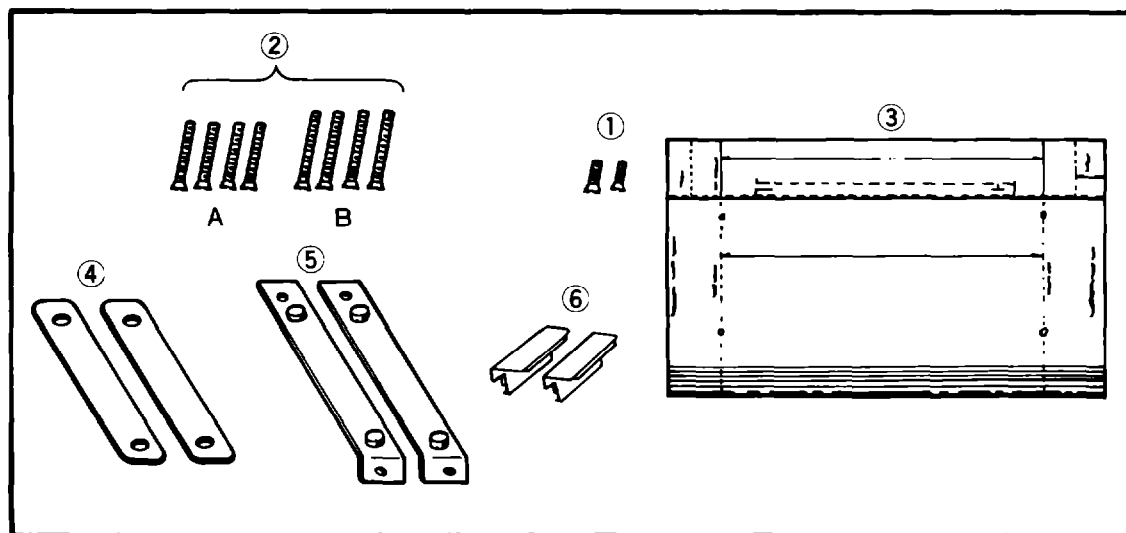


Fig.1

SELECTING YOUR MOUNTING LOCATION

When selecting the mounting location for your unit, remember the following:

- For mounting and dismounting ease, allow adequate space between the unit and an adjacent wall or appliance. Installation will be easier if adequate space is allowed for hand clearance (Fig.3)

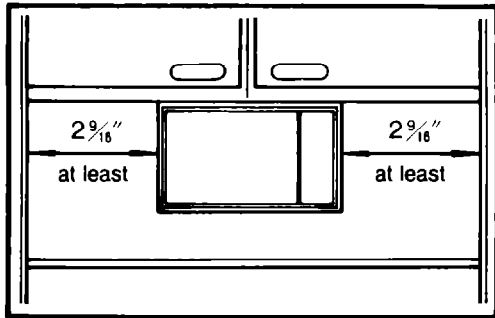


Fig.3

- Installation will be easier if oven can be mounted under one cabinet rather than running under two cabinets.
- Do not install the oven over cooking or other heating appliances such as a range or toaster oven. This may cause damage to your microwave oven.
- The preferred installation position is to have the front of the microwave oven case slightly inset (approximately .2" from the cabinet front. (Fig.4)

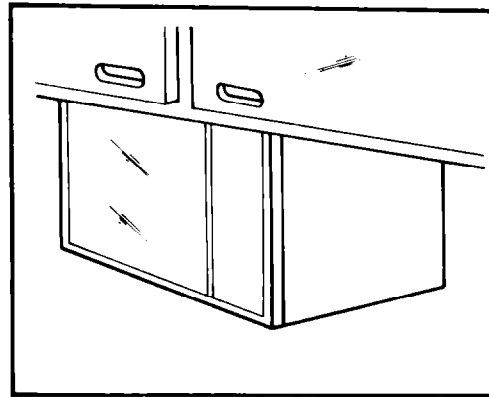


Fig.4

- Be sure that a three prong (grounding) wall receptacle is within reach of the electrical cord when properly draped. **The wall receptacle cannot be behind the oven when installed because the plug on the oven power cord will prevent proper oven installation.** (See Fig.5 for an example of this.)

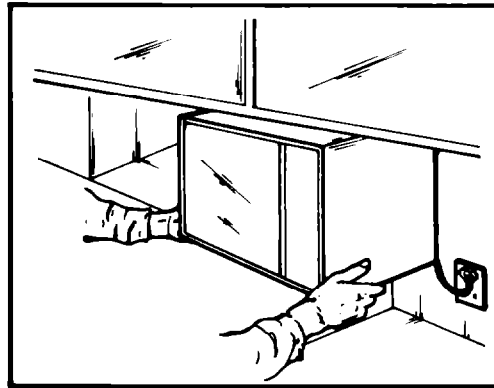


Fig.5

TWO MOUNTING METHODS

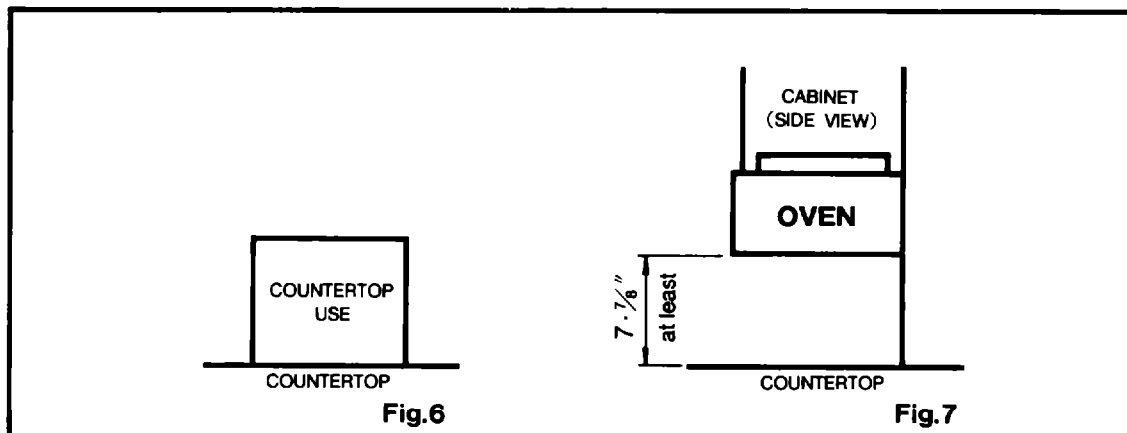
There are two mounting methods described in this booklet that can be used for your microwave oven.

1. Countertop Method

You can use this method if you decide not to cabinet mount your microwave oven. To use your microwave oven as a countertop model, simply position the oven on the desired counter and plug the electrical cord into a three prong(grounding) wall receptacle. (Fig.6)

2. Cabinet Mounting Method

This method is for mounting your oven under a cabinet (Fig. 7) and uses the template, Incabinet mounting straps, and 1 set of the screws which came with your oven. Before using this method, the 2 plastic mounting caps on the top of the oven must be removed. This can be done by placing a thin flat blade screw driver between the plug button and the oven top and raising gently, taking care to avoid scratching the oven top.



DRILLING APPROACH PREPARATION OF OVEN

You have two options for drilling the mounting holes for your microwave oven.

First, you can drill from inside to the cabinet if you have adequate space and your shelves are removable.

Second, you can drill from the bottom.

If possible, it is generally easier to work from the inside to the cabinet.

Use the instructions applicable to the approach you select.

Carefully remove the two plastic mounting cap from the oven top and two screws from the top rear of the oven (Fig. 8)

(Keep two screws for next step.)

Secure the bracket 5,6 on the top rear of your oven with the four screws. (Fig. 9)

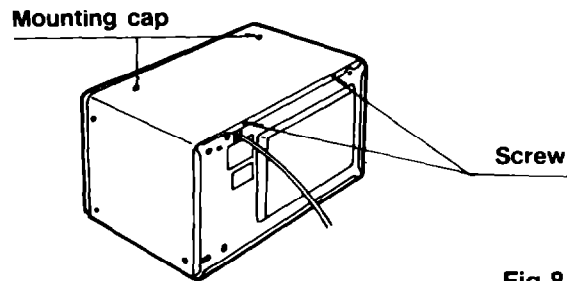


Fig.8

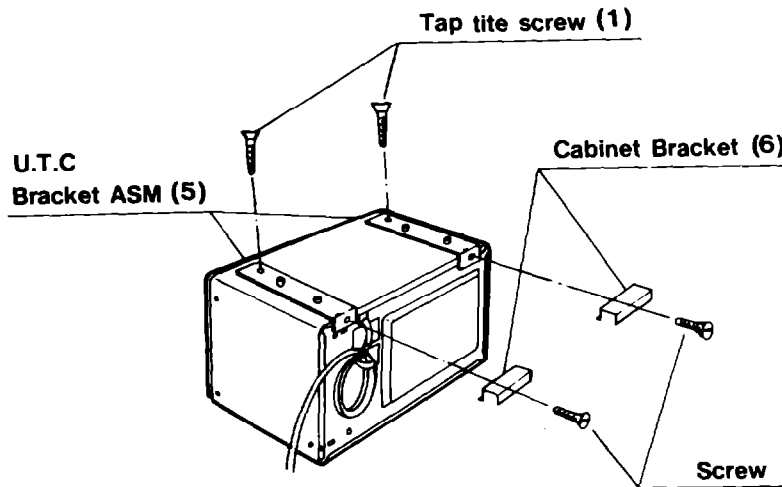


Fig.9

CABINET MOUNTING METHOD

Instructions for Drilling from Inside

If you cannot drill from the inside, go to "Instructions for Drilling From Bottom"

1. Place Template 2 inside cabinet. Cut around door jam and if necessary, corners to make template fit.

(The front edge of template must be even with the front edge of the cabinet.) Place Template 2 in cabinet and adhere it with scotch tape.

Note: For cabinets with a recessed shelf you must measure the thickness of the front rail and cut that amount off the front edge of Template 2 using the template cut lines as a guide. This will allow Template 2 to lay flat on the shelf.

2. If you have a partition in the cabinet you must do the following:

- Cut Template 2 into **two pieces** to fit each side to partition.
- Adhere one piece of Template 2 inside cabinet with scotch tape making sure that front edge is even with the front edge of cabinet.
- Adhere Template 1 on front of the cabinet with scotch tape so that the arrow is aligned with the hole center line on Template 2 (Fig. 10)

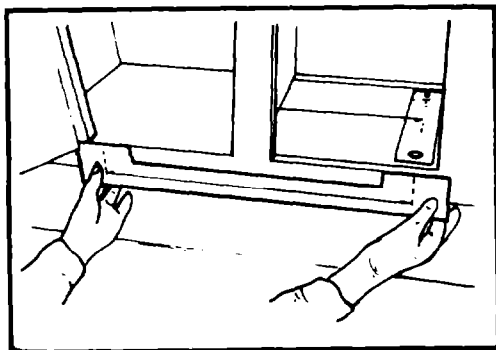


Fig. 10

- Position remaining piece of Template 2 inside cabinet and align the hole center lines with arrows on Template 1 so that distance from right hole center to left hole center measures the distance indicated on the template. (**you will have to cut excess paper from the middle of Template 2 to make it lay flat.**)
- Adhere Template 2 inside the cabinet with scotch tape. (Fig. 11)

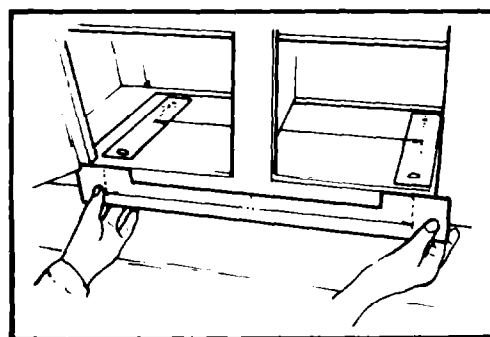


Fig. 11

- Check again to make sure that the hole center lines on Template 2 are straight and that the distance from the right to left drilling holes measures the distance indicated on the template.
3. Go to "**Drilling the Mounting Holes**"

Instructions for Drilling from Bottom

1. If you have a front rail, measure the thickness and cut that amount off the front edge of Template 2 using the template cut lines as a guide.
2. Adhere cut edge of Template 2 with scotch tape against the back side of the front rail and position it flat against the bottom side of the cabinet.

CABINET MOUNTING METHOD

(Note: On some cabinets a small bracket or glue block is used between the overhang and the underside of the cabinet bottom. If this is true of your cabinets, cut Template 2 to fit around the bracket or glue block so that it will be flat on the cabinet bottom when attached. Fig. 12)

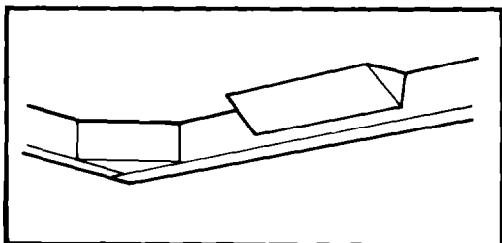


Fig. 12

3. If you have a partition you must do the following:

- Cut template 2 into **two pieces** to fit on each side of partition.
- Adhere one piece of Template 2 under the cabinet with scotch tape. (**The cut line along the front edge of Template 2 must be placed against the back of the front rail.**)
- Attach Template 1 with scotch tape to rear of cabinet and align arrows with hole center line on Template 2. (Fig. 13)

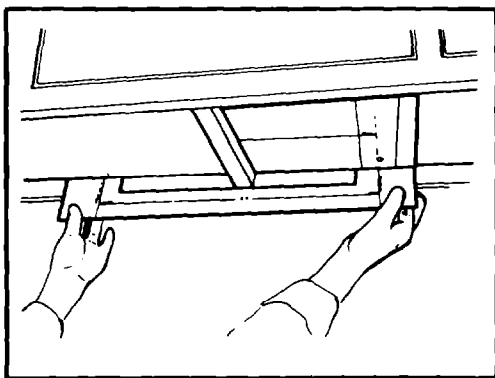


Fig. 13

- Position remaining piece of Template 2 under cabinet and align the hole center lines with arrows on Template 1 so that distance from right hole center to left hole center measures the distance indicated on the template.

(**You will have to cut excess paper from the middle of template to make it lay flat.**)

- Adhere Template 2 in place with scotch tape. (**The cut line along the front edge of template must be placed against the back of the front rail, Fig.14**)

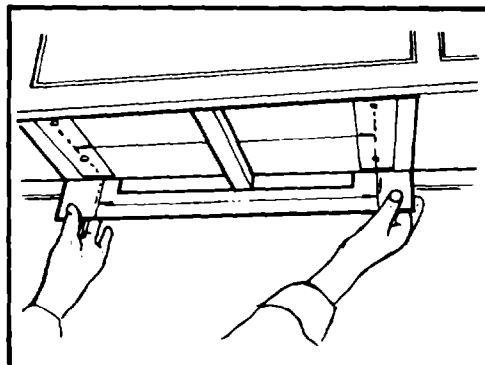


Fig. 14

Drilling the Mounting Holes

While drilling, it is recommended that safety glasses be worn to prevent possible eye damage from cabinet shavings.

1. Use a center punch or nail to make an indentation for centering the drill bit.
2. Drill through Template 2 at the four **black** drilling holes indicated on the template. (Drill should be held straight to ensure proper alignment of bolts.)
3. After drilling the four holes, remove the template and clean the drill holes.

CABINET MOUNTING METHOD

Selecting Your Mounting Screws.

1. You should have two sets of screws of varying lengths in the installation package. Select one screw of each size.
2. Hold each screws against the cabinet front rail. The mounting screws, which are included in this package, are provided for you so that you can mount your flush with the front of your cabinet. (Fig. 15)

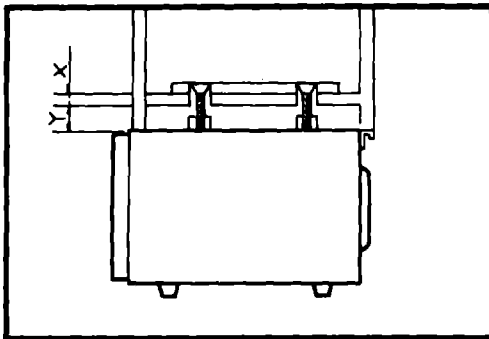


Fig. 15

X+Y	SCREW TYPE
5/8" to 13/16"	A
13/16" to 13/4"	B

Note: It is important to pick the correct screw length needed for your cabinets. If the screw is too short, it won't reach the oven. If the screw is too long, it will not permit oven to be drawn up to cabinet snugly.

3. From inside the cabinet, insert the screws through mounting holder and then into the drilled holes.

Mounting the Oven

To aid installation, we suggest that you use some solid support such as books to hold the oven while you are securing it with the mounting screws. (Fig. 16)

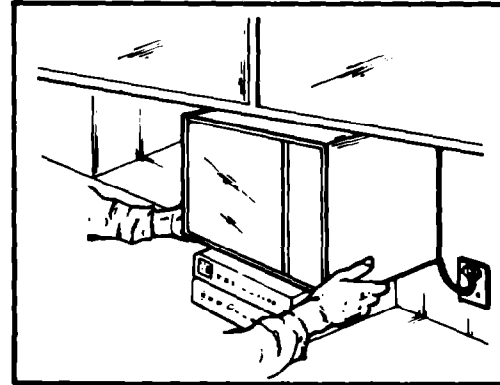


Fig. 16

Make sure that whatever you use is stacked or cut as close as possible to the height needed for oven to reach the cabinet bottom.

1. Place the oven on support and move into position. Lift oven, aligning the mounting holes on the oven with the screws.
2. Insert screws into mounting holes on the microwave oven. Tighten the screws to secure oven to the bottom of the cabinet. (Alternate tightening between screws so that oven is drawn up evenly.)
3. Once oven is securely in place, you may remove the rubber feet. (If you remove the feet, be sure to store them in a secure place because you may want to use the microwave oven as a countertop oven at a later date.)
4. Plug power cord into three prong (grounding) wall receptacle.

