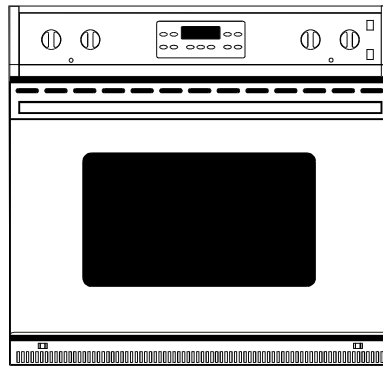
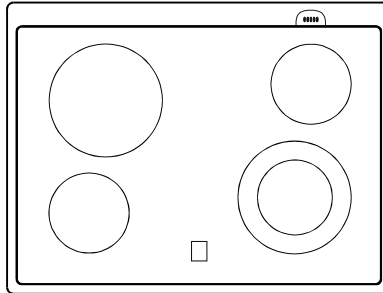


FACTORY PARTS CATALOG ELECTRIC DROP-IN RANGE

TAPPAN



PRODUCT NO.	FACTORY NO.	COLOR	MARKET
TED367CJS1	37806336G0011	WHITE	U.S.A.
TED367CJB1	37806336G0061	BLACK	U.S.A.

WIRING DIAGRAM # - 318045042
OWNER'S GUIDE # - 318200855
TIMER INSTRUCTION GUIDE # - 318130809
INSTALLATION INSTR. # - 318064101

FRIGIDAIRE
HOME PRODUCTS

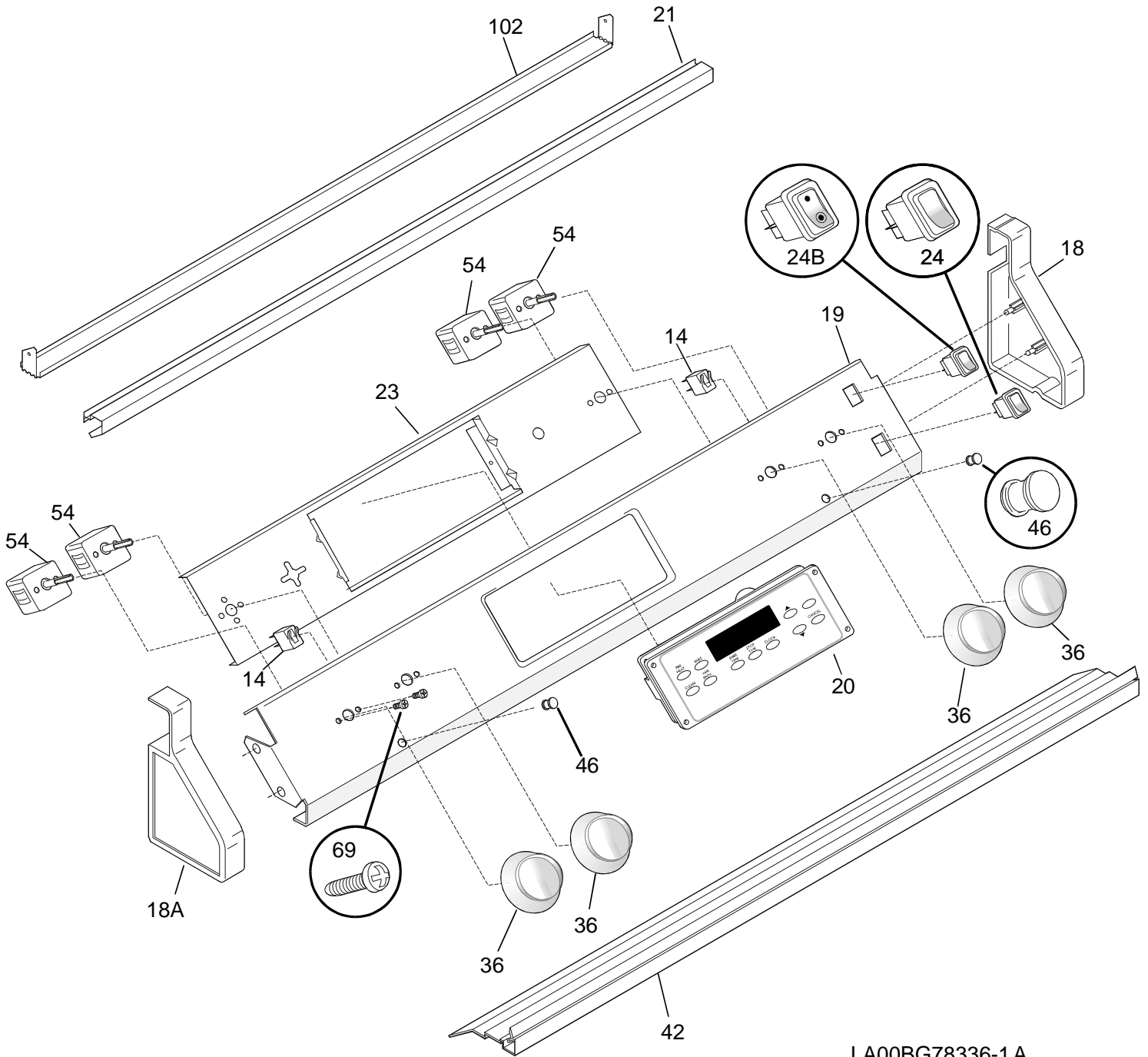
FRIGIDAIRE HOME PRODUCTS
7075 ORDAN DRIVE
MISSISSAUGA, ONTARIO
CANADA, L5T 1K6
TEL: (905) 565-9200

Publication No.
5995334801
000307
-EN/SERVICE
377

ELECTRIC - RANGE

Model No.
TED367CJ

©1998 White Consolidated Industries,
Inc.



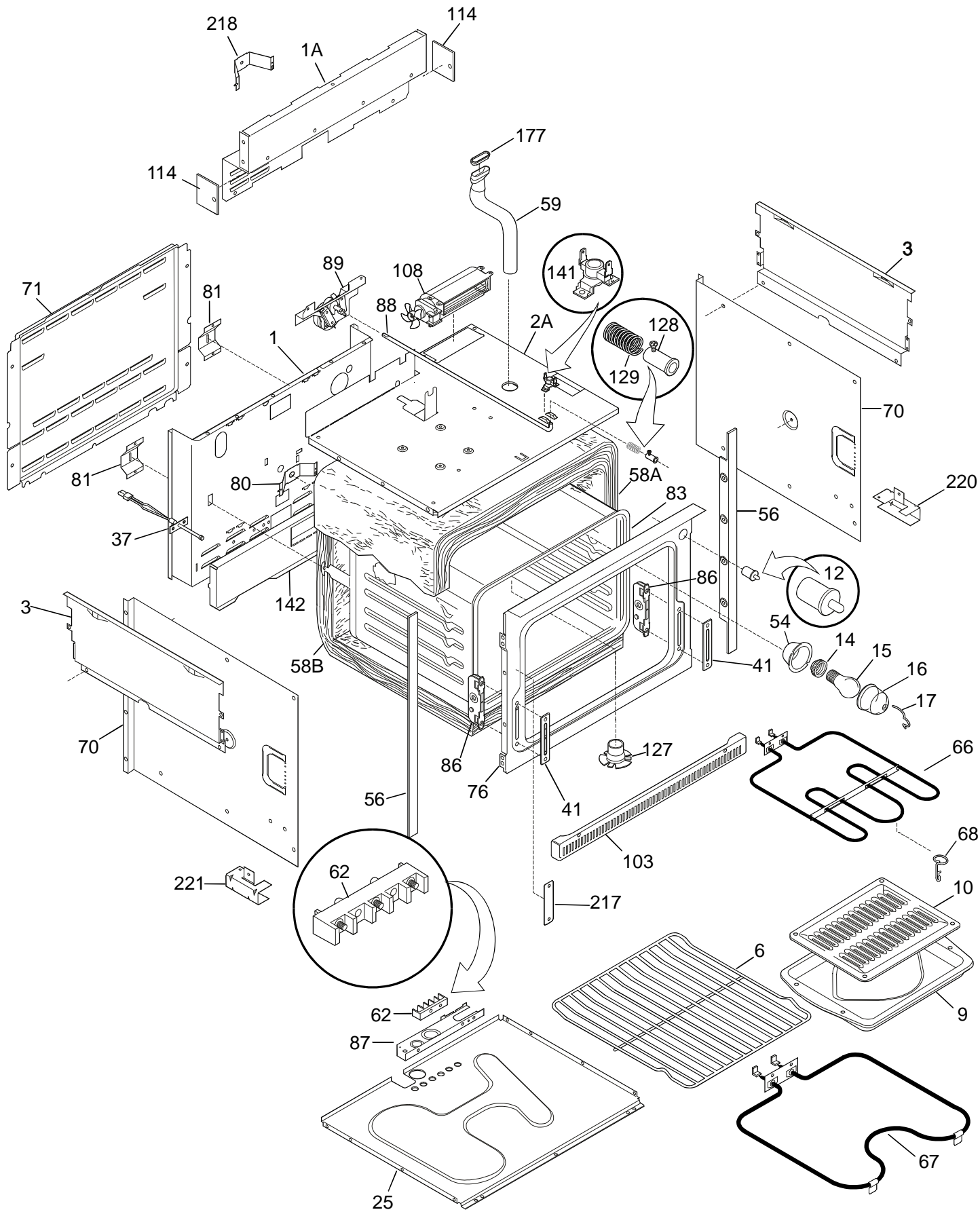
LA00BG78336-1 A

BACKGUARD

A= TED367CJ (TED367CJS1)
B= TED367CJ (TED367CJB1)

POS. NO	PART NO		DESCRIPTION
14	5303051533	A B	Light/Lamp
18	5303304668	A	End Cap (white) RH
18	5303300160	B	End Cap (black) RH
18A	5303304671	A	End Cap (white) LH
18A	5303300161	B	End Cap (black) LH
19	318182600	A	Panel-control (white)
19	318182601	B	Panel-control (black)
20 #	318012948	A	Clock/Timer (white)
20#	318012949	B	Clock/Timer (grey)
21	318027804	A	Trim-backguard (white)
21	318027803	B	Trim-backguard (black)
23	318015020	A B	Bracket-clock mtg
24 #	316005607	A	Switch-rocker (white)
24#	316005602	B	Switch-rocker (black)
24B#	316068901	A	Switch-rocker (white)
24B#	316068903	B	Switch-rocker (black)
36	318017110	A	Knob-surface unit (white)
36	318017106	B	Knob-surface unit (black)
42	318106924	A B	Trim-vent (white)
42	318106927	A B	Trim-vent (black)
46	318044510	A B	Lens-light/lamp
54 #	318120500	A B	Switch-surface unit
69	5303323134	A B	Screw mtg 8-32 X 3/16
102	318055601	A B	Bracket-mounting
*	5303211311	A B	Screw, #8 X 1/2
*	08016432	A B	Screw, 8-18 X 3/8
*	5303323145	A B	Nut
*	5303311124	A B	Screw, clock
*	08002868	A B	Screw, 10-24 X 1/2

BODY

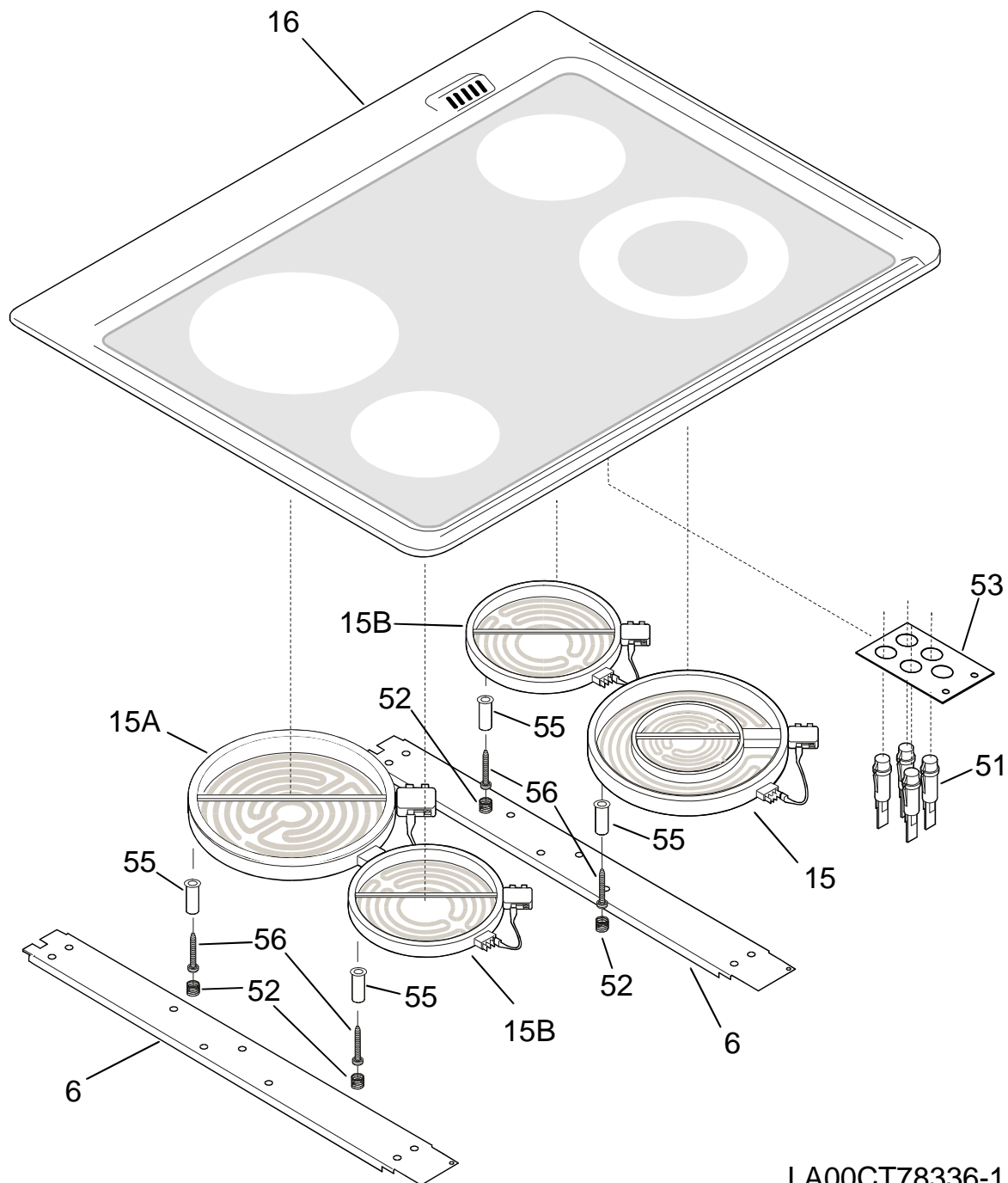


LA00B78336-1

BODY

A= TED367CJ (TED367CJS1)
B= TED367CJ (TED367CJB1)

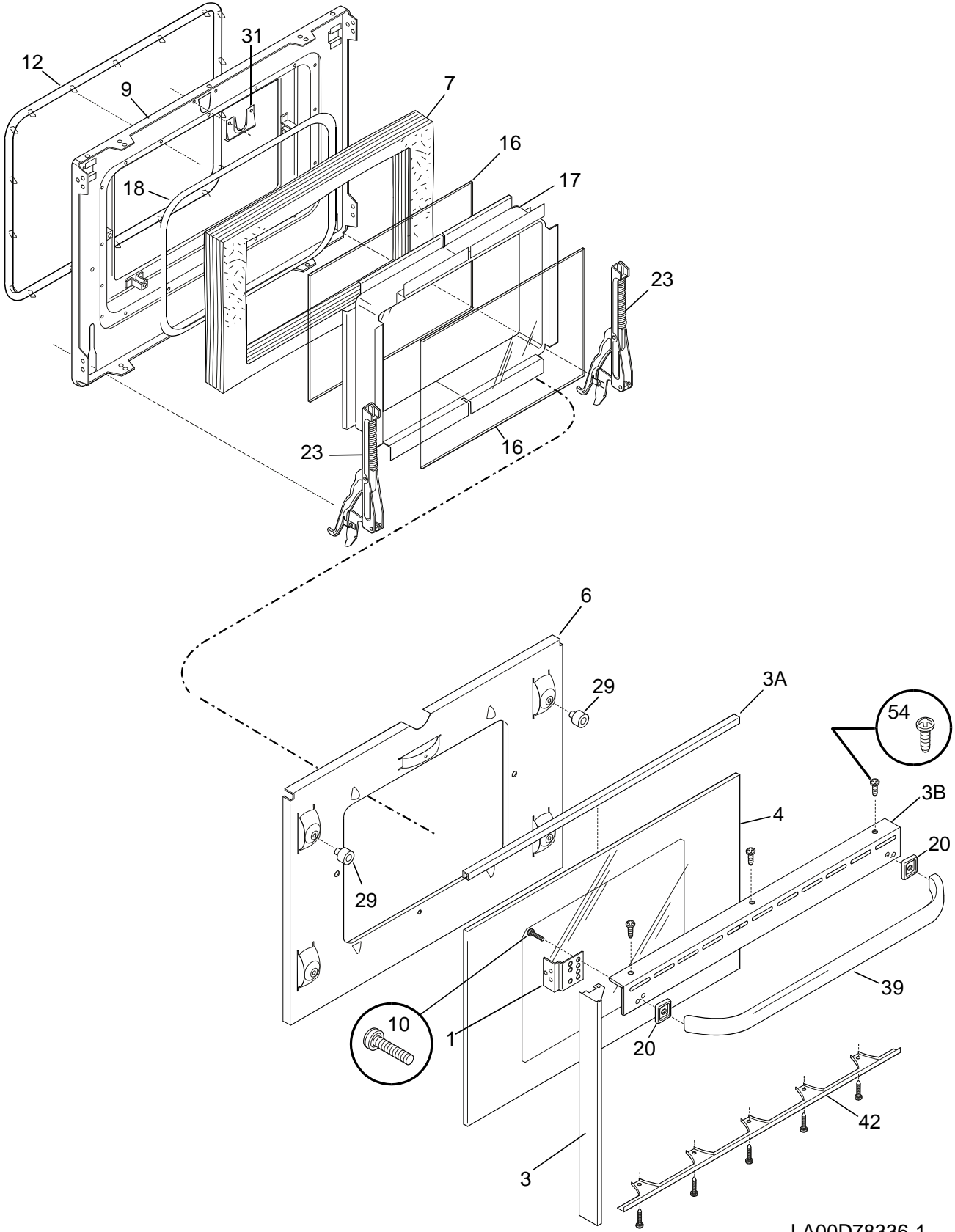
POS. NO	PART NO		DESCRIPTION
1	318066402	A B	Back-main
1A	318070901	A B	Panel-back
2A	318108600	A B	Shield-oven top
3	5303300143	A B	Panel-bodyside
6	5303310522	A B	Rack-oven
9	5303317977	A B	Pan-broiler
10	5303317976	A B	Insert-broiler pan
12 #	318089910	A B	Switch-light
14	5308011085	A B	Socket-light/lamp
15	3201908	A B	Lamp-oven light
16	3201911	A B	Glass-oven light lens
17	5304400195	A B	Retainer-lens
25	318179107	A B	Shield-heat
37 #	316111203	A B	Probe-oven temp
41	5303310526	A B	Cover-hinge cutout
54	5303310514	A B	Housing-oven light
56	318002702	A	Trim-oven front (white)
56	318002701	B	Trim-oven front (black)
58A	5303310539	A B	Insulation
58B	318132609	A B	Insulation oven back
59	318072502	A B	Tube-oven vent
62 #	5303310518	A B	Terminal Block
66 #	5303310513	A B	Element-broil
67 #	5303310512	A B	Element-bake
68	5304403015	A B	Support-element
70	5303300142	A B	Shield-insulation
71	5303310515	A B	Cover-wiring
76	318124100	A B	Front-oven
80	5303324473	A B	Bracket-oven
81	5303301261	A B	Spring-oven
83	318089608	A B	Liner-oven
86	5303310524	A B	Channel-hinge
87	318111800	A B	Plate-mounting
88	5303311160	A B	Rod-latch
89 #	318095921	A B	Motor-latch
89 *	318120710	A B	Switch-cooktop shut-off
103	5303300213	A	Trim-base (white)
103	5303300217	B	Trim-base (black)
108#	318073001	A B	Motor-fan
114	318175100	A B	Plate-filler
127	5303310542	A B	Adapter assy
128	5303311163	A B	Bushing
129	5303311164	A B	Spring
141 #	5303284446	A B	Switch
142	318123901	A B	Air Deflector
177	318053800	A B	Gasket-vent
217	316042300	A B	Warning plate
218	318054700	A B	Plate anti-tip
220	5304401475	A B	Bracket
221	5304401476	A B	Bracket
*	5303211311	A B	Screw #8 X 1/2
*	5303311124	A B	Screw
*	5303323129	A B	Screw, 8 X 3/4
*	5303317175	A	Screw, 8-18 X 17/32 (white)
*	5303308456	B	Screw, 8-18 X 17/32 (black)
*	5303300265		Screw, 8-18 X 1/2 (chrome)
*	318078515	A B	Bx & wirey assy



LA00CT78336-1

A= TED367CJ (TED367CJS1)
B= TED367CJ (TED367CJB1)

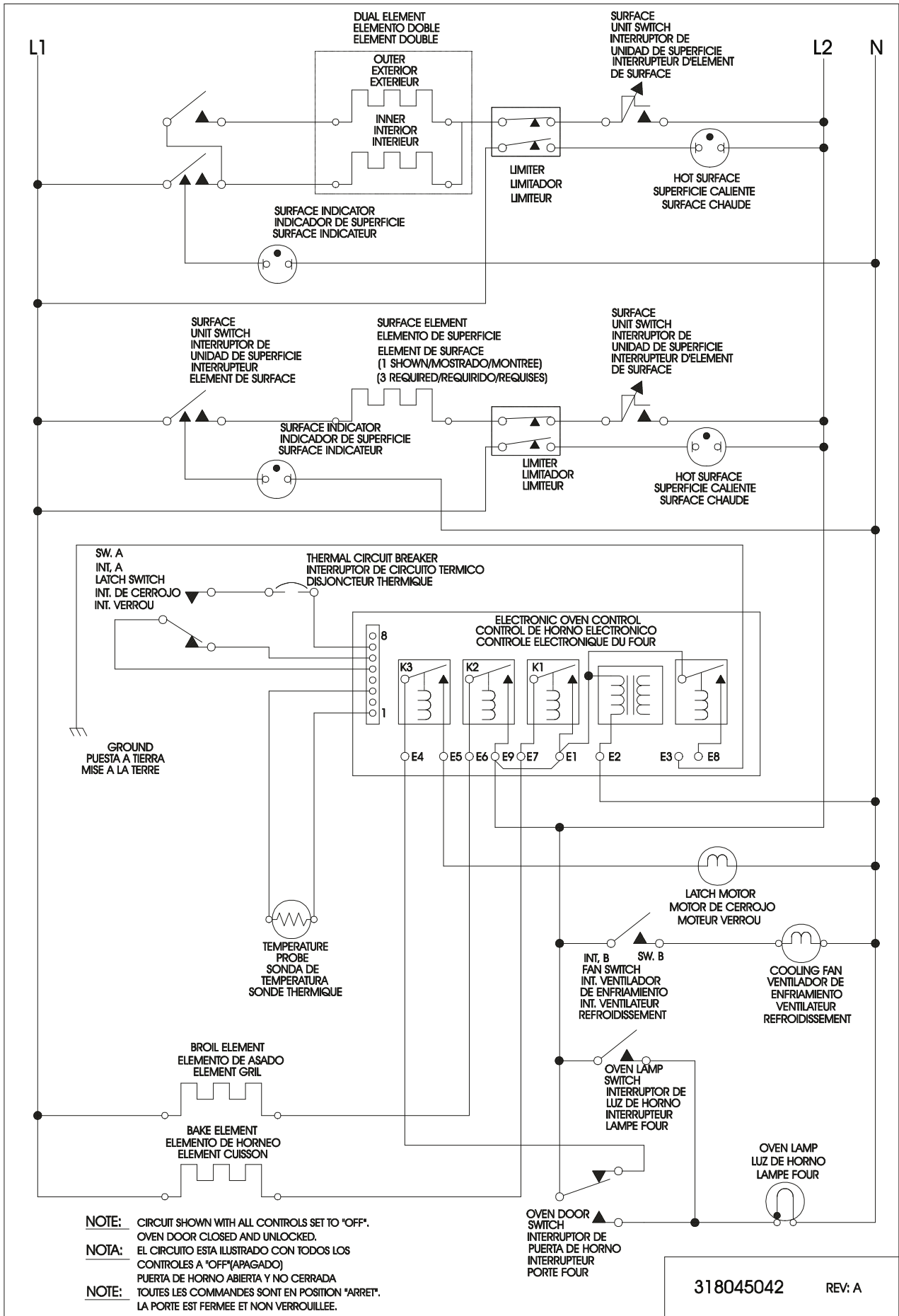
POS. NO	PART NO		DESCRIPTION
6	5303311190	A B	Support-element
15#	318178002	A B	Element-surface dual 1000/2000W
15A#	318178101	A B	Element-surface 2100W
15B#	318178100	A B	Element-surface 1200W
16	318079501	A	Main Top & glass assy (white)
16	318079503	B	Main Top & glass assy (black)
51#	5303297484	A B	Light-indicator hot surface
52	5303317177	A B	Spring-element mtg
53	318125910	A B	Bracket-indicator light
55	5303317178	A B	Spacer-element
56	5303317179	A B	Screw, element 6 X 3/4
*	5303211311	A B	Screw, #8 X 1/2/



LA00D78336-1

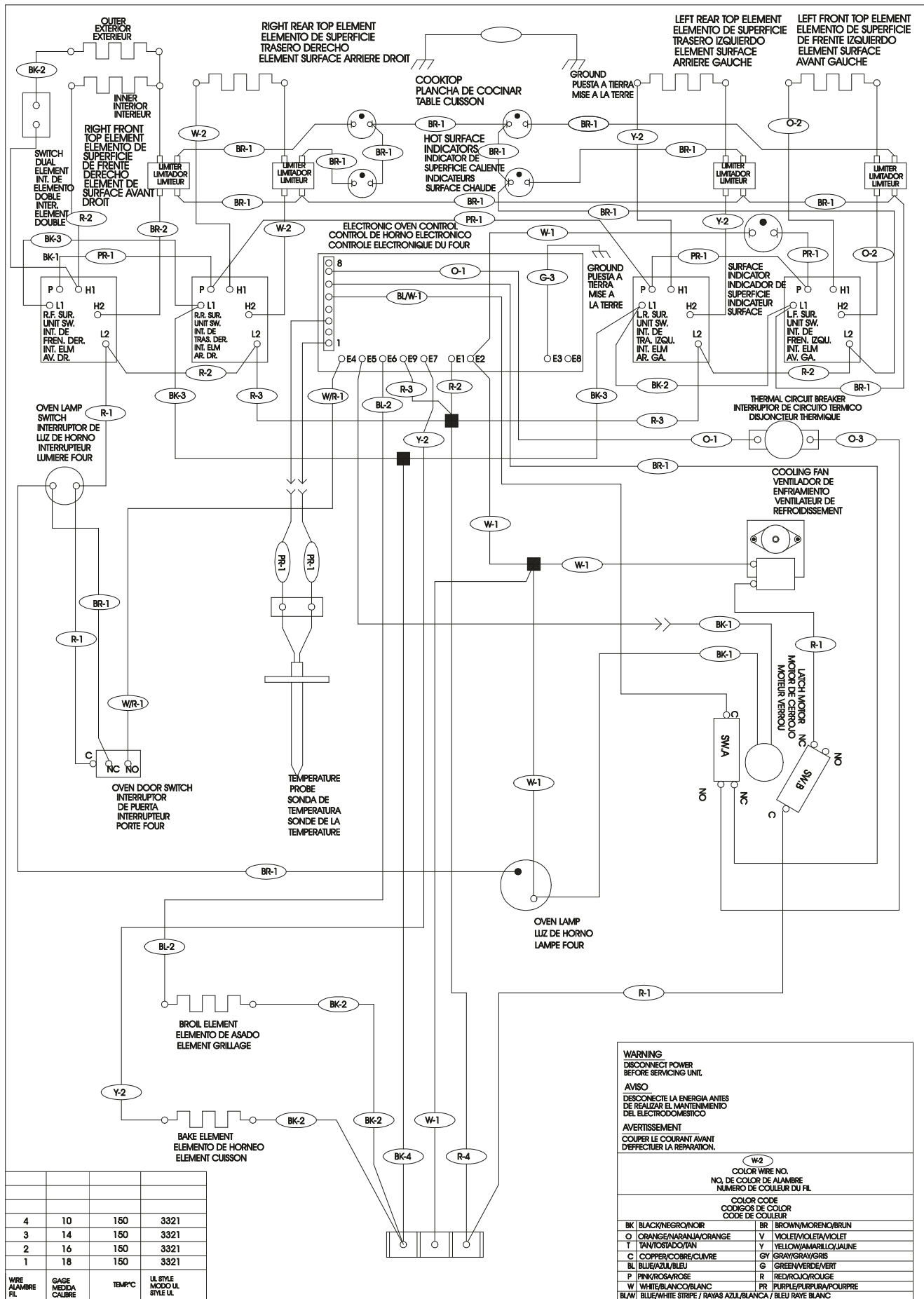
A= TED367CJ (TED367CJS1)
B= TED367CJ (TED367CJB1)

POS. NO	PART NO		DESCRIPTION
1	318043100	A B	Bracket-trim
3	318049206	A	Trim-oven door (white)
3	318049205	B	Trim-oven door (black)
3A	318028900	A B	Trim-oven door
3B	318049020	A	Trim-oven door (white)
3B	318049019	B	Trim-oven door (black)
4	318041102	A	Glass-oven door (white)
4	318041105	B	Glass-oven door (black)
6	318056802	A B	Shield-wool
7	318106001	A B	Insulation-door
9	318048802	A B	Liner-oven door
10	5303324305	A B	Screw 10-24 X 5/8, handle
12	318053103	A B	Seal-oven door
16	318041603	A B	Glass-oven door
17	318042102	A B	Spacer-glass
18	318053001	A B	Seal-window
20	318014301	A	Spacer-handle (white)
20	318014300	B	Spacer-handle (black)
23	5303311215	A B	Hinge-oven door
23*	3201899	A B	Washer
29	318147410	A B	Bumper base
31	5303310536	A B	Latch-door
39	316091119	A	Handle-door (white)
39	316091118	B	Handle-door (black)
42	5303311194	A	Trim-oven door (white)
42	5303311200	B	Trim-oven door (black)
54	5303317175	A	Screw 8-18 X 17/32 (white)
54	5303308456	B	Screw, 8-18 X 17/32 (black)
*	08016432	A B	Screw, 8-18 X 3/8
*	5303211311	A B	Screw, #8 X 1/2
*	5303307980	A B	Screw, 8-32 X 7/16



318045042

REV: A



WARNING
 DISCONNECT POWER BEFORE SERVICING UNIT.
AVISO
 DESCONECTE LA ENERGIA ANTES DE REALIZAR EL MANTENIMIENTO DEL ELECTRODOMESTICO
AVERTISSEMENT
 COUPER LE COURANT AVANT D'EFFECTUER LA REPARATION.

W-2 COLOR WIRE NO. NO. DE COLOR DE ALAMBRE NUMERO DE COULEUR DU FIL	
COLOR CODE CODICES DE COLOR CODE DE COULEUR	
BK	BLACK/NEGRO/NOIR
O	ORANGE/NARANJA/ORANGE
T	TAN/OSTIADO/TAN
C	COPPER/COBRE/COUURE
BL	BLUE/AZUL/BLEU
P	PINK/ROSA/ROSE
W	WHITE/BLANCO/BLANC
BL/W	BLUE/WHITE STRIPE / RAYAS AZUL/BLANCA / BLEU RAYE BLANC
BR	BROWN/MORENO/BRUN
V	VIOLET/VOLETA/VOLET
Y	YELLOW/AMARILLO/JAUNE
GV	GRAY/GRAY/GRIS
G	GREEN/VERDE/VERT
R	RED/ROJO/ROUGE
PR	PURPLE/PURPURA/POURPRE

WIRE ALAMBRE FIL	GAGE MEDIDA CALIBRE	TEMP °C	UL STYLE MODEL STYLE UL
4	10	150	3321
3	14	150	3321
2	16	150	3321
1	18	150	3321