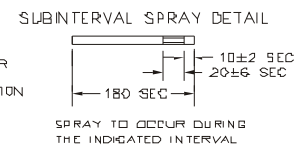
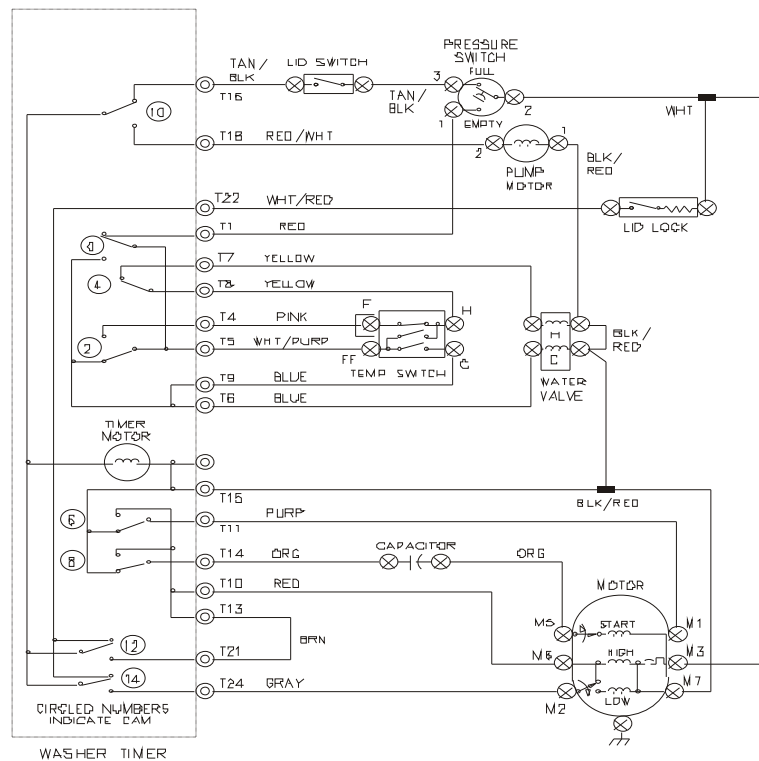


CAUTION: DISCONNECT ELECTRIC CURRENT BEFORE SERVICING. LABEL ALL WIRES PRIOR TO DISCONNECTION WHEN SERVICING CONTROLS. WIRING ERRORS CAN CAUSE IMPROPER AND DANGEROUS OPERATION. VERIFY PROPER OPERATION AFTER SERVICING.

CIRCUIT	TERM	WIRE	CIRCUIT	REGULAR				OFF	EX RINSE			OFF	PERM PRESS			OFF	KNITS & DELICATE			OFF	SOAK		PREWASH		OFF
				WASH (15 MIN)	PUMP (6 MIN)	RINSE (6 MIN)	PUMP (15 MIN)	WASH (12 MIN)	PUMP (6 MIN)	PUMP (6 MIN)	WASH (6 MIN)	PUMP (6 MIN)	PUMP (6 MIN)	WASH (6 MIN)	PUMP (6 MIN)	PUMP (6 MIN)	WASH (15)	SOAK (12 MIN)	WASH (5)	PUMP (5 MIN)					
0	2	1	T	ALL CONTROL																					
		3	B	NOT USED																					
2	5	4	T	WASH FILL																					
		6	B	RINSE FILL																					
4	8	7	T	WATER TEMP																					
		9	B																						
6	11	10	T	SPIN DIR																					
		12	B	AGITATE DIR																					
8	14	13	T	AGITATE DIR																					
		15	B	SPIN DIR																					
10	17	16	T	AGIT CONTROL																					
		18	B	PUMP																					
12	20	19	T	SPIN CONTROL																					
		21	B	HIGH SPEED MOTOR																					
14	23	22	T	SPIN CONTROL																					
		24	B	LOW SPEED MOTOR																					



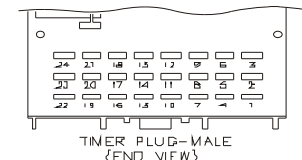
WIRING CODES

- ⊙ PLUG-IN TIMER TERMINAL
- ⊗ QUICK DISCONNECT TERMINAL
- ⊕ CONNECTION
- ⊖ NO CONNECTION
- ⊛ MOTOR SWITCH
- ⊞ SPLICE
- ⊟ MOTOR PROTECTOR
- ⊠ CHASSIS (CABINET) GROUND
- ⊡ SCREW TERMINAL
- ⊣ HARNESS CONNECTOR TERMINAL
- ⊤ INSULATED TERMINAL

TEMPERATURE SWITCH CIRCUIT

WASH/RINSE	F-H	FF-H	FF-C
HOT/COLD	X	0	0
WARM/WARM (OPT)	0	X	X
COLD/COLD	0	0	X
WARM/COLD	X	0	X

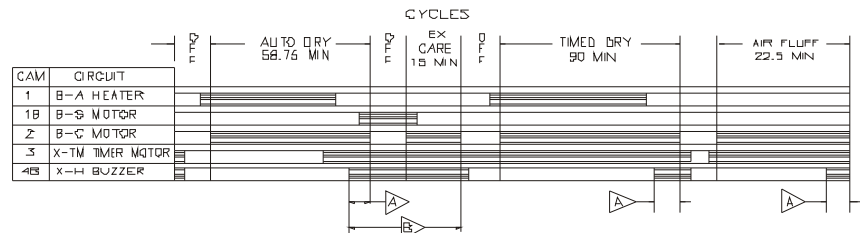
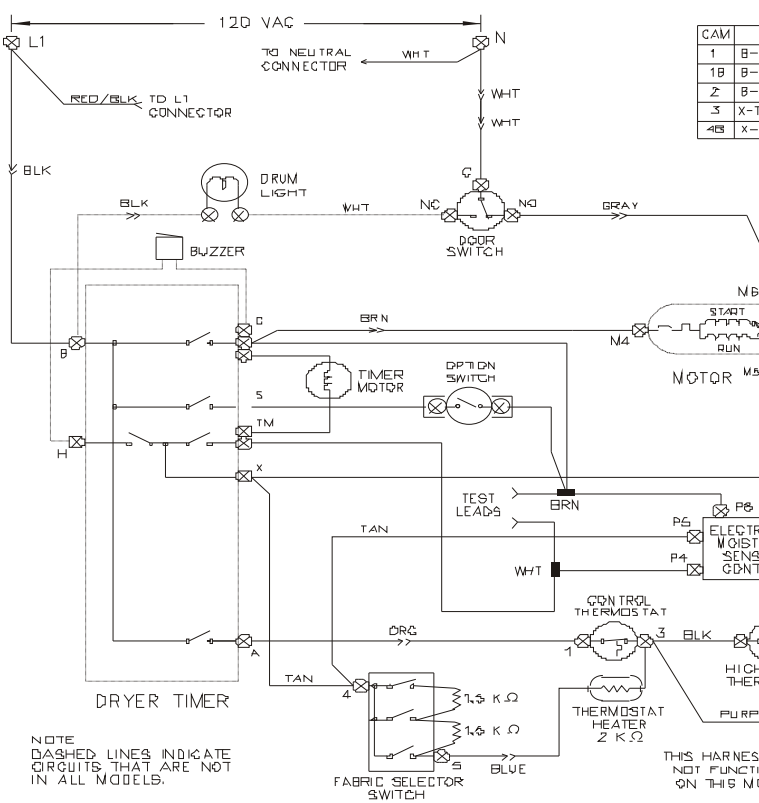
X=CLOSED 0=OPEN



FABRIC SELECTOR SWITCH

POSITION	FUNCTION	RESISTANCE Ω
1	HIGH	OPEN CIRCUIT
2	MEDIUM	3K±5%
3	MEDIUM/LOW	1.5K±5%
4	LOW	10 MAX

- NOTES:
- ALL WIRING MUST CONFORM TO LOCAL ELECTRICAL CODES
 - CONNECT DRYER TO 15 AMP INDIVIDUAL BRANCH CIRCUIT
 - DRYER TIMER SHOWN IN OFF POSITION. TEMPERATURE SWITCH CLOSED, MOTOR AT REST, THERMOSTAT CLOSED, AND FABRIC SELECTOR SWITCH AT HIGH HEAT
- WASHER TIMER SHOWN IN ON POSITION. TEMPERATURE SELECTOR SWITCH AT HOT WASH/COLD RINSE, AND PRESSURE SWITCH FULL.



THE BAR CHART ABOVE REPRESENTS ONE COMPLETE REVOLUTION OF TIMER SHAFT. SHADED PORTION OF BAR CHART INDICATES THE PROPORTIONAL TIMES THAT INTERNAL TIMER CONTACTS ARE CLOSED.

BUZZER

▲ CIRCUIT "X-H" WILL CLOSE FOR 5 SEC ± 3 SEC 1 TO 2 TIMES IN THIS AREA. WHEN 2 CLOSURES OCCUR THEY WILL BE 5 MIN. APART

▲ CIRCUIT "X-H" WILL CLOSE FOR 5 SEC ± 3 SEC 5 TO 7 TIMES IN THIS AREA. THE CLOSURES WILL BE 5 MINUTES APART.

NOTE DASHED LINES INDICATE CIRCUITS THAT ARE NOT IN ALL MODELS.

THIS HARNESS WIRE NOT FUNCTIONAL ON THIS MODEL