

# INSTALLATION INSTRUCTIONS

# Built-In 27" & 30" Electric Wall Ovens



403 WEST FOURTH STREET, NORTH  
NEWTON, IA 50208

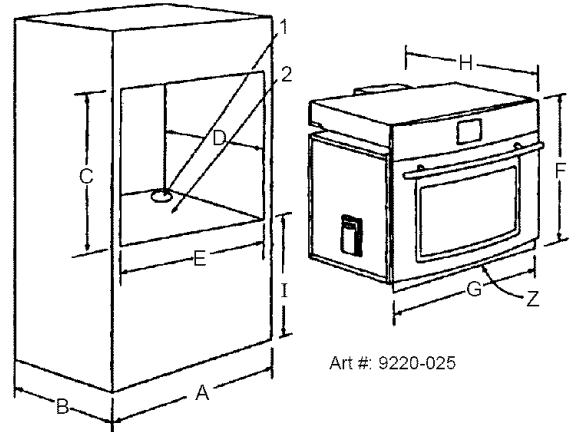
## 27" SINGLE WALL OVEN

1	1 1/4" Dia. Conduit Access Hole*	
2	5/8" Plywood Floor (Must Support 200 lbs.)	
DIMENSIONS		
	inches	cm
A	27 MIN	68.58
B	24 MIN	60.96
C	29 1/16 ± 1/16	73.82
D	24 MIN	60.96
E	25 1/2 ± 1/16	64.77
F	29 1/2	74.93
G	26 3/4	67.95
H	25 7/16	64.61
I	4 to 31	10.2 to 78.7

## 30" SINGLE WALL OVEN

1	1 1/4" Dia. Conduit Access Hole*	
2	5/8" Plywood Floor (Must Support 200 lbs.)	
DIMENSIONS		
	inches	cm
A	30 MIN	76.20
B	24 MIN	60.96
C	29 1/16 ± 1/16	73.82
D	24 MIN	60.96
E	28 1/2 ± 1/16	72.39
F	29 1/2	74.93
G	29 3/4	75.57
H	25 7/16	64.61
I	4 to 31	10.2 to 78.7

## SINGLE WALL OVEN



Art #: 9220-025

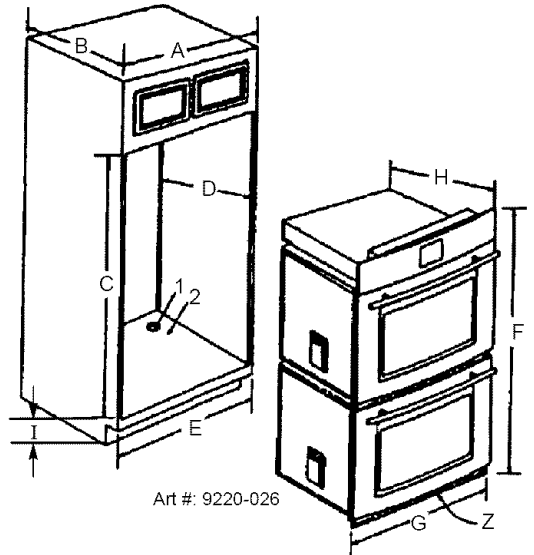
## 27" DOUBLE WALL OVEN

1	1 1/4" Dia. Conduit Access Hole*	
2	5/8" Plywood Floor (Must Support 310 lbs.)	
DIMENSIONS		
	inches	cm
A	27 MIN	68.58
B	24 MIN	60.96
C	51 7/8 ± 1/16	131.76
D	24 MIN	60.96
E	25 1/2 ± 1/16	64.77
F	52 1/4	132.72
G	26 3/4	67.95
H	25 1/2	64.77
I	4 to 10	10.2 to 25.4

## 30" DOUBLE WALL OVEN

1	1 1/4" Dia. Conduit Access Hole*	
2	5/8" Plywood Floor (Must Support 310 lbs.)	
DIMENSIONS		
	inches	cm
A	30 MIN	76.20
B	24 MIN	60.96
C	51 7/8 ± 1/16	131.76
D	24 MIN	60.96
E	28 1/2 ± 1/16	72.39
F	52 1/4	132.72
G	29 3/4	75.57
H	25 1/2	64.77
I	4 to 10	10.2 to 25.4

## DOUBLE WALL OVEN



Art #: 9220-026

## NOTES

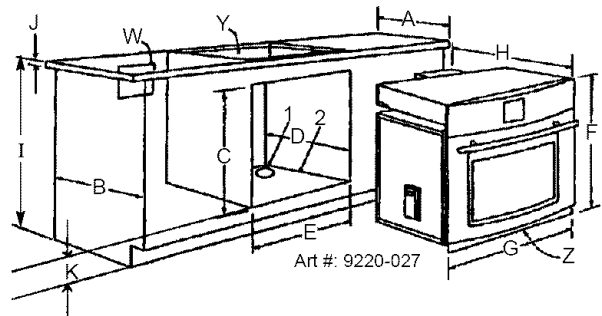
Z	Do not block air exhaust slots along bottom of oven.
Y	Gas or electric cooktops may be installed over ovens. See cooktop installation instructions for cutout size.**
W	Electrical connection for electric cooktop must in adjacent accessible location. Cook top and wall oven must be on separate 120/240 or 120/208 volt 60 Hz AC circuits.

## 30" WALL OVEN UNDER COUNTER

1	1 1/4" Dia. Conduit Access Hole*	
2	5/8" Plywood Floor (Must Support 200 lbs.)	
DIMENSIONS		
	inches	cm
A	25	63.50
B	24 MIN	60.96
C	29 1/16 ± 1/16	73.82
D	24 MIN	60.96
E	28 1/2	72.39
F	29 1/2	74.93
G	29 3/4	75.57
H	25 7/16	64.61
I	36	91.44
J	1 1/2	3.81

## UNDER COUNTER WALL OVEN

See pages 5, 6 and 7 for detailed installation instructions.



Art #: 9220-027

## CAUTION

For European style cabinets (flush front) the required clearance for operation of the oven door is minimum spacing of 7/8" between the cutout and the door, hinge or drawer of the cabinet.

Some built-in cabinets may not be wide enough, due to their construction, to allow this installation.

## 30" WALL OVEN

	inches	cm
K	All JA Cooktops	3 MAX 7.62 MAX

NOTE: \* Hole must be cut as close to corner of cabinet as possible.

\*\* See dealer for approved cooktops.

8101P602-60  
(11-03-00)

# INSTALLATION INSTRUCTIONS

## Built-In 27" & 30" Electric Combination Wall Ovens



403 WEST FOURTH STREET, NORTH  
NEWTON, IA 50208

### 27" WALL OVEN DESCRIPTION

1	1-1/4" Dia. Conduit Access Hole*
2	5/8" Plywood Floor (Must Support 275 lbs.)

### DIMENSIONS

	in	cm
A	27 MIN	68.58 MIN
B	24 MIN	60.96 MIN
C	51-7/8 ± 1/16	131.76 ± .16
D	24 MIN	60.96 MIN
E	25-1/2 ± 1/16	64.77 ± .16
F	52-15/16	134.46
G	26-3/4	67.95
H	25-7/16	64.61
I	4 to 10	10.2 to 25.4

### 30" WALL OVEN DESCRIPTION

1	1-1/4" Dia. Conduit Access Hole*
2	5/8" Plywood Floor (Must Support 275 lbs.)

### DIMENSIONS

	in	cm
A	30 MIN	76.20 MIN
B	24 MIN	60.96 MIN
C	51-7/8 ± 1/16	131.76 ± .16
D	24 MIN	60.96 MIN
E	28-1/2 ± 1/16	72.39 ± .16
F	52-15/16	134.46
G	29-3/4	75.57
H	25-7/16	64.61
I	4 to 10	10.2 to 25.4

\* Hole must be cut as close to corner of cabinet as possible.

### NOTES

Z	Do not block air exhaust slots along bottom of oven.
---	--

### CAUTION

For European style cabinets (flush front) the required clearance for operation of the oven door is minimum spacing of 7/8" between the cutout and the door, hinge or drawer of the cabinet.

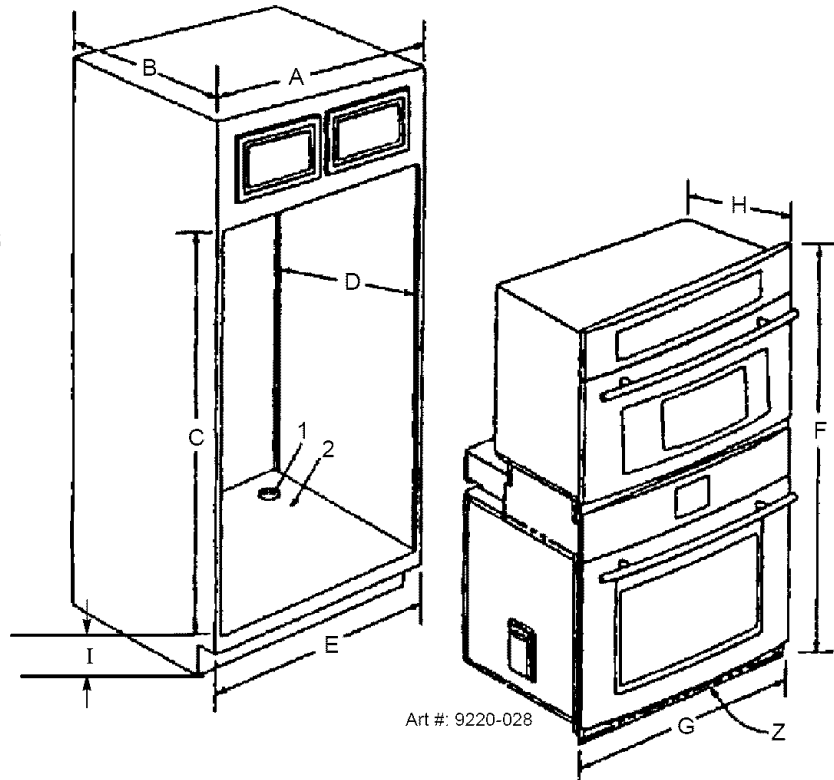
Some built-in cabinets may not be wide enough, due to their construction, to allow this installation.

## COMBINATION WALL OVEN CUTOUT

### NOTE:

INSTALLED WALL OVEN OVERLAPS CUTOUT 15/16" (2.38 CM) AT THE TOP AND 1/8" (0.32 CM) AT THE BOTTOM.

THIS MUST BE TAKEN INTO CONSIDERATION WHEN LOCATING CUTOUT IF INSTALLED UNIT IS TO BE CENTERED IN THE CABINET.



Art #: 9220-028

## **! WARNING**

**Improper installation of the grounding circuit can result in a risk of electric shock.**

Consult a qualified electrician or serviceman if the grounding instructions are not completely understood, if doubt exists as whether the appliance is properly grounded.

## **CAUTION**

For European style cabinets (flush front) the required clearance for operation of the oven door is minimum spacing of 7/8" between the cutout and the door, hinge or drawer of the cabinet.

Some built-in cabinets may not be wide enough, due to their construction, to allow this installation.

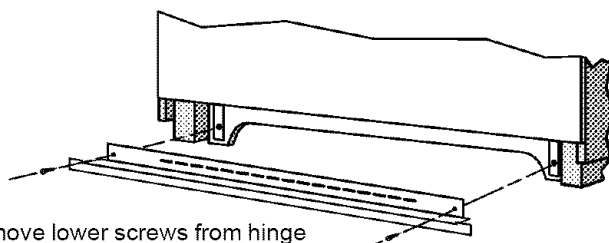
## **Installation**

1. Cut hole in cabinet to mount oven. Cutout in cabinet should be level and straight.

**NOTE:** There are no provisions to level the unit after it is installed. An oven that is not level could cause poor baking results.

2. Install plywood floor as shown.
3. Remove oven door(s). See Oven Door Removal procedure.
4. Attach unit to the cabinet with four No. 8 x 1" screws supplied with unit inside of envelope containing these instructions. Pre-drill holes in cabinet for attachment screws using 1/8" drill. Oven mounting holes are provided in side trim.
5. Install bottom trim.
6. Replace oven door(s). See Oven Door Replacement procedure.
7. See instructions at right for electrical hook-up.
8. See Use and Care Manual for operating instructions.

## **Installing Bottom Trim Piece**



Remove lower screws from hinge receptacle plates. Align lower trim and reinstall screws.

**DO NOT INSTALL BOTTOM TRIM UNTIL UNIT IS ATTACHED TO THE CABINET.**

## **Electrical Connections**

Unit to be properly circuit protected and wired according to local electrical code and National Electrical Code.

It is advisable that the electrical wiring and hookup be accomplished by a competent electrician.

120/240 VAC or 120/208 VAC 60 Hz. See serial plate on front of unit for power requirements.

The neutral of this unit is grounded to the frame through the solid grounding wire. (The ground and the white wires are twisted together at the termination of the conduit.) If used on new branch-circuit installations (1996 NEC), mobile homes, recreational vehicles, or in an area where local codes prohibit grounding through the neutral conductor, untwist or disconnect the ground wire and connect to ground in accordance with local code. Connect the white neutral to the service neutral. Connect all wires to the branch circuit with approved connectors. Use copper or aluminum wire. If aluminum wire is used, use connectors recognized for joining aluminum to copper.

The chart below recommends the minimum circuit protection and wire size if the appliance is the only unit on the circuit.

K.W. RATING ON SERIAL PLATE	RECOMMENDED MINIMUM CIRCUIT PROTECTION IN AMPERS	WIRE SIZE (AWG)
0 - 4.8	20	12
4.9 - 6.9	30	10
7.0 - 9.9	40	8
10.0 - 11.9	50	8
12.0 - 14.9	60	6

## **Service**

Interrupt the source of electricity to the unit when attempting to repair or service the oven. Failure to do this could result in a dangerous or even fatal shock.

**IMPORTANT - SAVE FOR LOCAL ELECTRICAL INSPECTOR'S USE**

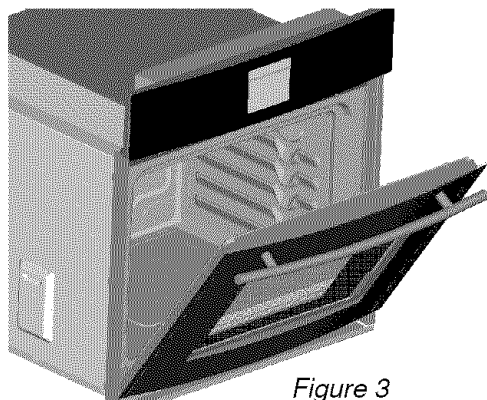
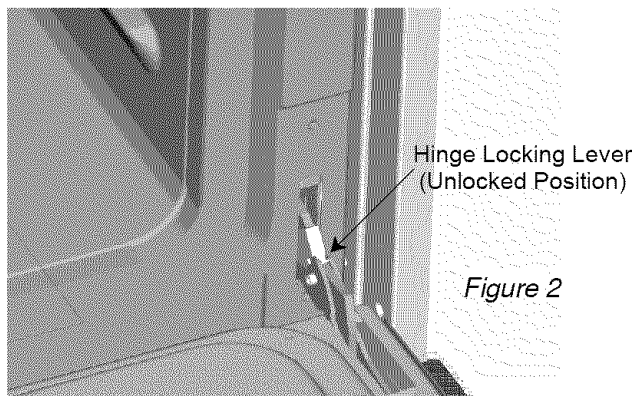
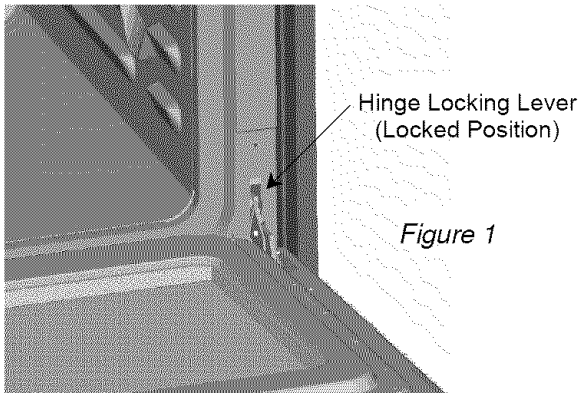
## Oven Door Removal

For ease of installation, remove oven door(s) before placing unit into cutout. This will reduce the weight of the unit by about 35 pounds per door. Remove oven door(s) as follows:

- Open oven door to the "Full Open" position (see Figure 1).
- Rotate hinge locking lever DOWN, to unlock hinge from the unit (see Figure 2).
- Close oven door to the "Removal" position (until it stops; see Figure 3).
- Grasp the door firmly on each side and lift the door straight up and off the unit.

**NOTE: The oven door is heavy. Be sure you have a firm grip before lifting the oven door off the unit.**

**Do not lift the door by the handle!**



## Oven Door Replacement

Replace oven door(s) after placing unit into cutout.

Replace oven door(s) as follows:

- Grasp oven door firmly on each side, hold oven door at approximately a 30° angle and align oven door hinge arm (see Figure 4) with hinge receiver on unit (see Figure 5).
- Insert oven door hinge arm into hinge receiver until the hinge arm slots (see Figure 4) align with horizontal pins on the hinge receiver (see Figure 5) and place hinge arm onto the hinge receiver.
- Once the hinge arms are resting on the hinge receiver pins (see Figure 3) open oven door slowly to the "Full Open" position (see Figure 2).
- Rotate hinge locking lever UP to the locked position to secure the oven door to the unit (see Figure 1).

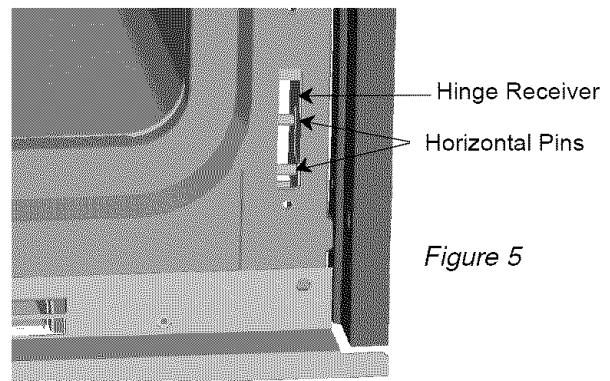
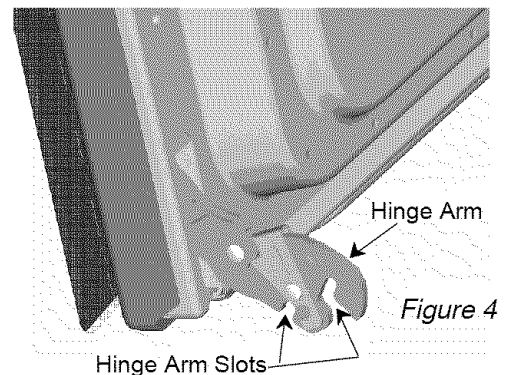
**NOTE: Make sure that hinge locking lever is rotated fully UP to the locked position as shown (see Figure 1) before closing oven door.**

### CAUTION

**Door will not close all the way and could fall off when opened if the hinge locking levers are not rotated fully UP to the locked position.**

If hinge locking lever will not rotate fully UP to the locked position as shown (see Figure 1) then the hinge arm is not properly seated on the receiver. Rotate the hinge locking lever DOWN to the unlocked position (see Figure 2) and remove oven door as outlined in the Oven Door Removal procedure. Then replace the oven door as outlined in the Oven Door Replacement procedure, making sure that the hinge arm slots are fully seated on the horizontal pins in the hinge receiver.

- Once the hinge locking lever is rotated fully UP to the locked position (see Figure 1) close the oven door.



# INSTALLATION INSTRUCTIONS

## 30" Under Counter Wall Oven



403 WEST FOURTH STREET, NORTH  
NEWTON, IA 50208

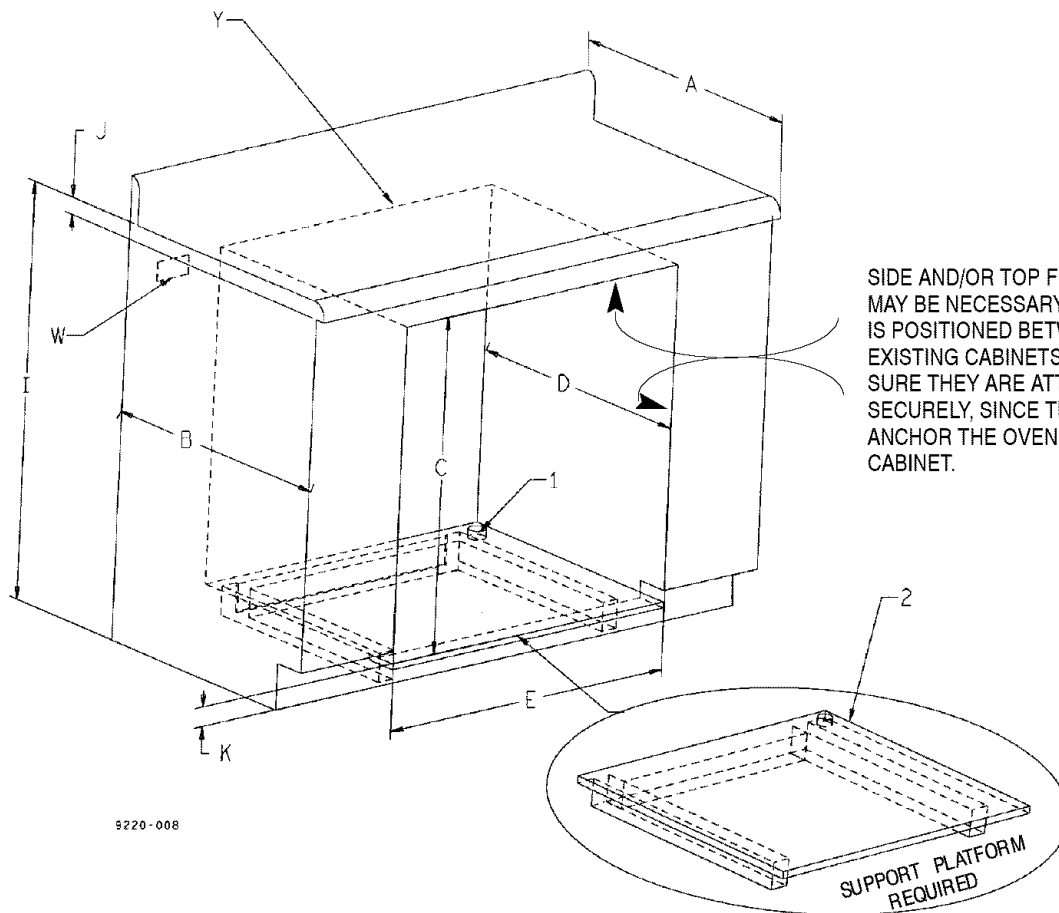
30" WALL OVEN UNDER COUNTER		
1	1-1/4" Dia. Conduit Access Hole*	
2	5/8" Plywood Floor (Must Support 200 lbs.) See next page for Support Platform Construction	
DIMENSIONS		
	inches	cm
A	25	63.50
B	24 MIN	60.96
C	29-1/16 ± 1/16	73.82
D	24 MIN	60.96
E	28-1/2	72.39
I	36	91.44
J	1-1/2	3.81

30" WALL OVEN		
	inches	cm
K	3 MAX	7.62 MAX

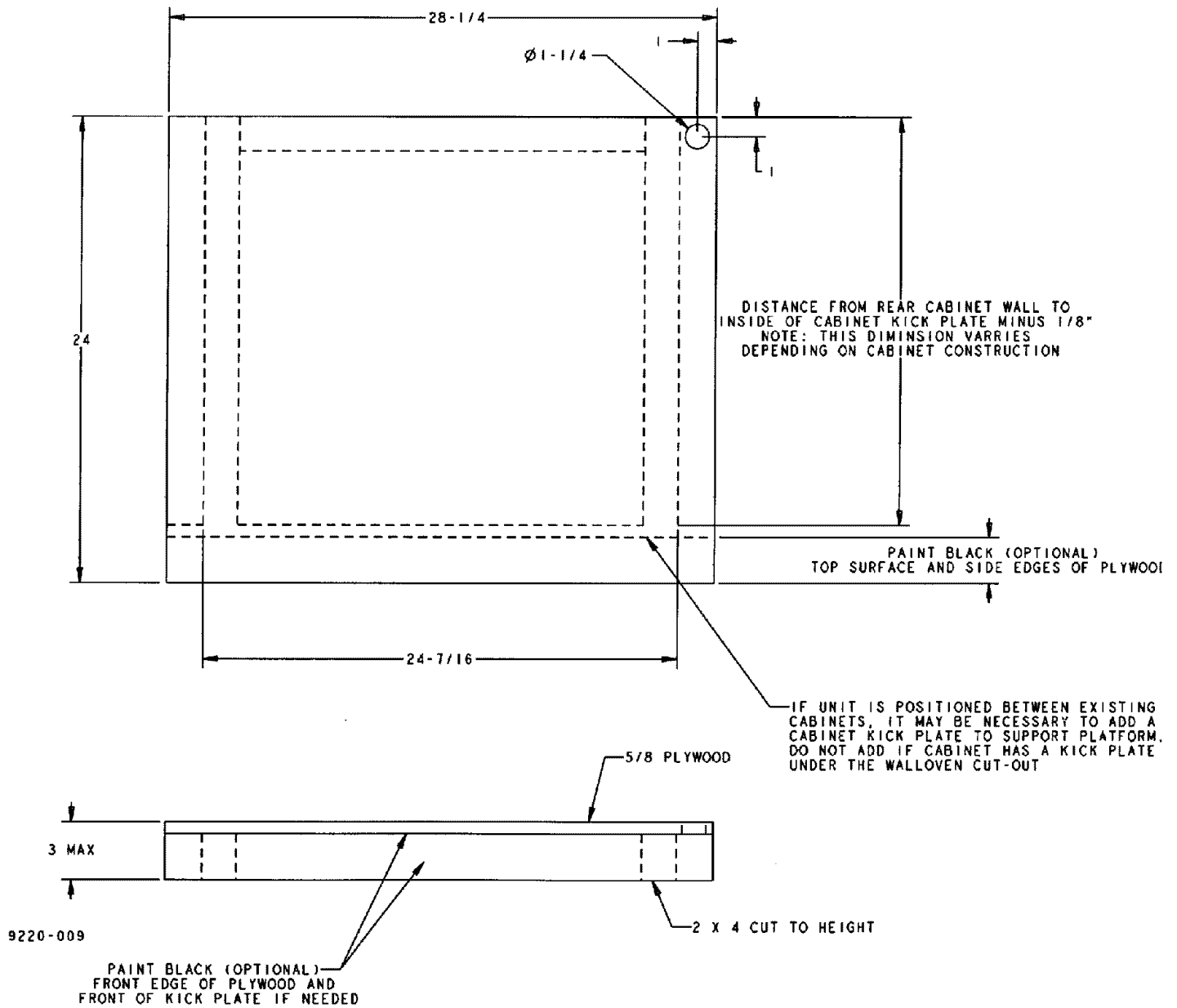
NOTES	
Z	Do not block air exhaust slots along bottom of oven.
Y	Gas or electric cooktops may be installed over ovens.** See cooktop installation instructions for cutout size.
W	Electrical connection for electric cooktop must in adjacent accessible location. Cook top and wall oven must be on separate 120/240 or 120/208 volt 60 Hz AC circuits.

**NOTE:** \* Hole must be cut as close to corner of cabinet as possible.

\*\* See dealer for approved cooktops.

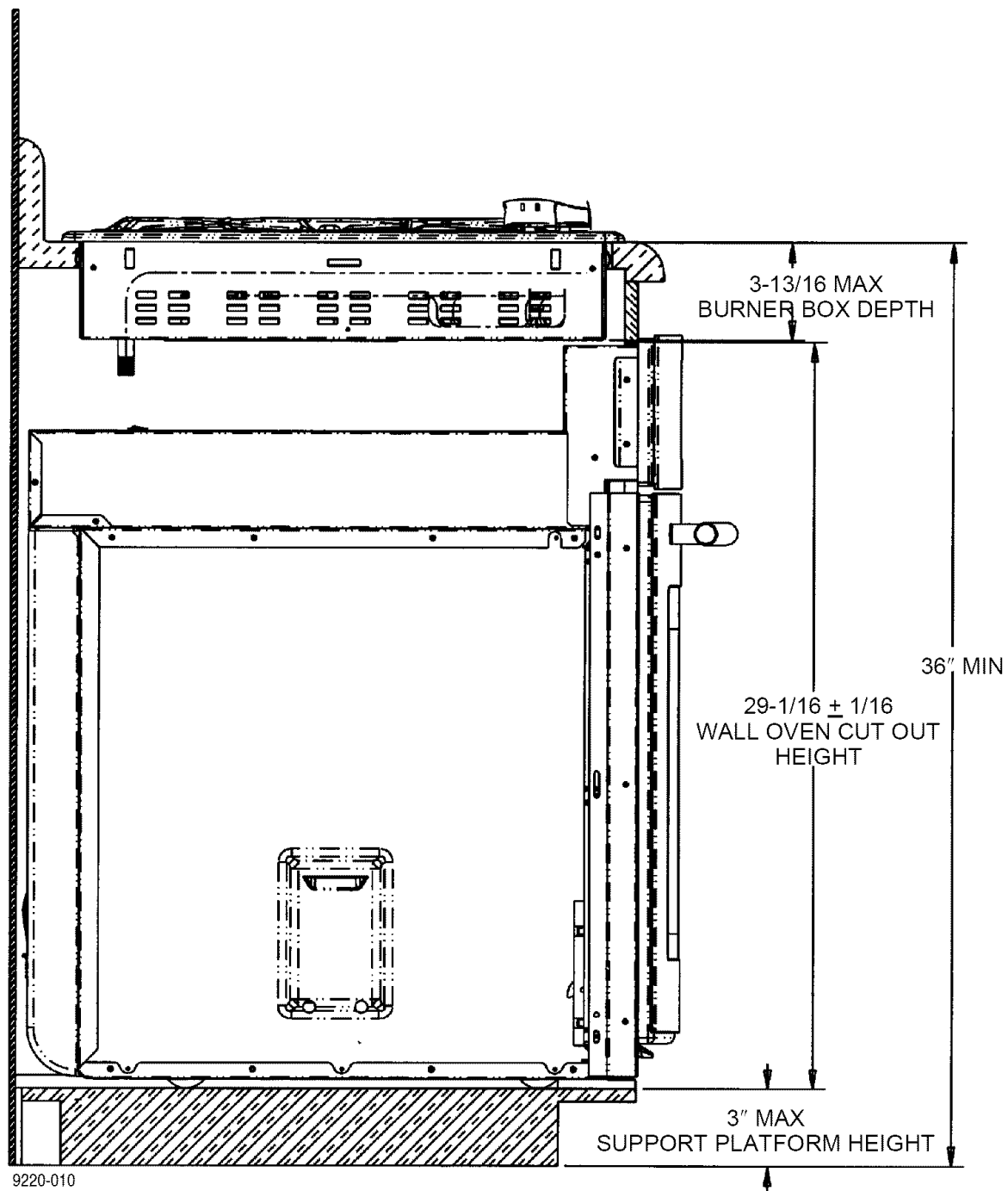


9220-008



## Support Platform 30" Under Counter Wall Oven

**COOKTOP SHOWN FOR REFERENCE ONLY.  
SEE COOKTOP INSTALLATION INSTRUCTIONS FOR CUTOUT SIZE.**



### **30" Under Counter Wall Oven with Cooktop**