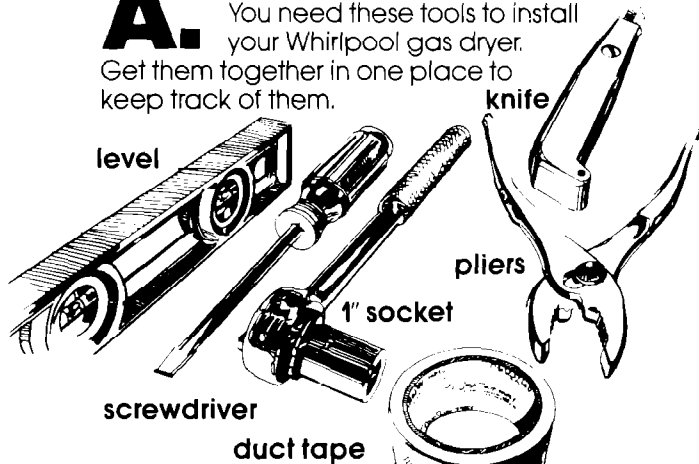


Before you start...

Mark an X across the letter or number as you complete each step.

A. You need these tools to install your Whirlpool gas dryer. Get them together in one place to keep track of them.



B. Check the spot where you're going to install the dryer... proper installation is your responsibility.

FOR YOUR SAFETY

If you smell gas:

1. Open windows
2. Don't touch electrical switches
3. Extinguish any open flame
4. Immediately call your gas supplier.

FOR YOUR SAFETY

Do not store or use gasoline or other flammable vapors and liquids in the vicinity of this or any other appliance.

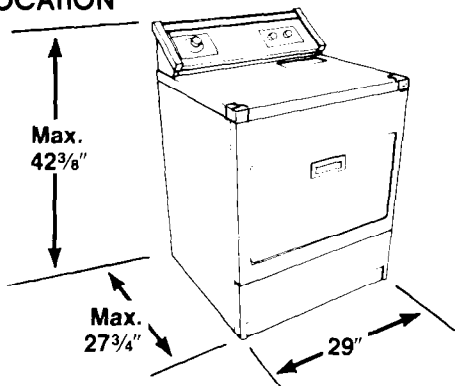
C. Make sure you have everything necessary for proper installation. You'll need:

- To meet **code requirements**: some codes keep from or limit installation of clothes dryers in garages, closets, mobile homes and sleeping quarters. (Check with your local building inspector.)

Important: observe all governing codes and ordinances.

- To check **utilities**: proper gas and electric supply connections should be available.
- To check **exhaust requirements**: a four inch metal exhaust duct is recommended.

LOCATION



Size: Must be large enough to fully open dryer door. For recessed or closet installation spacing see panel B.

Support: The floor must be able to support the appliance weight of 175 pounds.

Level floor: Maximum floor slope under dryer - 1 inch.

Protection from the weather: Proper operation of dryer cycles requires temperatures above 45° F., or the dryer may not shut off when automatic cycles are used.

WARNING:

- It is the personal responsibility of the customer to ensure that gasoline, paint, thinners and other flammable materials are not used or stored near the dryer. Fumes from these materials could result in fire or explosion.
- **Never** install the dryer up against draperies or curtains or on carpet and be sure to keep any and all items from falling or collecting behind the dryer.

- Replace all access or service panels before operating dryer.

This appliance is suitable for mobile home installations.

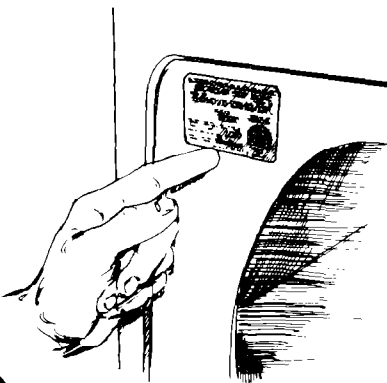
For Mobile Home use, this appliance **MUST** be fastened to the floor and **MUST** be exhausted to the outside. Order Mobile Home Installation Kit No. 346765 from your Whirlpool dealer. Kit includes the necessary fastening hardware and detailed installation instructions. Exhaust system hardware is also available through your Whirlpool dealer.

Input ratings shown on the rating plate (serial tag) are for elevations up to 2,000 feet. For elevations above 2,000 feet, ratings should be reduced at a rate of 4% for each 1,000 feet above sea level.

Gas supply requirements

OBSERVE ALL GOVERNING CODES AND ORDINANCES

A. First make certain that this dryer is equipped with the correct burner for the particular type of gas in the home. Burner information will be found on the rating plate in door well of the appliance. If this information does not agree with the type of gas available, see your dealer.



B.

This dryer is equipped for use with NATURAL GAS. You may use manufactured, mixed and L.P. gases with appropriate conversion. No attempt shall be made to convert the appliance from the gas specified on the rating plate for use with a different gas without consulting the serving gas supplier. Conversion must be done by a qualified service technician.

C. Provide a gas supply line to the dryer location. When rigid pipe is used it should be 1/2 inch IPS. When acceptable to the gas supplier, 3/8 inch approved tubing may be used for lengths under 20 feet. For lengths over 20 feet, larger tubing should be used. Pipe joint compounds resistant to the action of LP gas must be used.

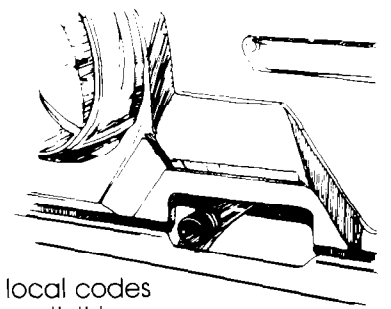
D.



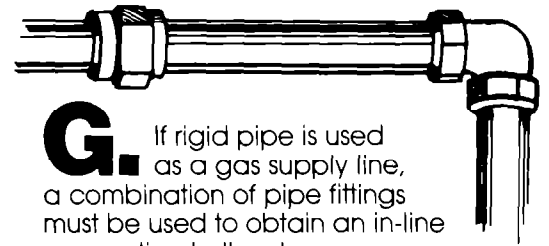
The supply line should be equipped with a shut-off valve. This valve should be located in the same room as the dryer and should be in a location that allows ease of opening and closing. Do not block access to shut-off valve.

E.

If the dryer is installed in a confined area such as a bedroom, bathroom or closet, it must be exhausted to the outside and provision made for enough air for combustion and ventilation. (Check governing codes and ordinances.) Also refer to the section of this instruction covering Recessed or Closet Installations.



F. If local codes permit, it is recommended that flexible metal tubing be used for connecting the appliance to the gas supply line. (The gas pipe which extends through the lower rear of the appliance has 3/8 inch male pipe thread.)



G. If rigid pipe is used as a gas supply line, a combination of pipe fittings must be used to obtain an in-line connection to the dryer.

H. Make sure the lower edges of the cabinet, plus the back and bottom sides of the dryer are free of obstructions to permit adequate clearance of air openings for combustion air.

I. For ease of installation, operation and servicing (if ever needed) adequate space should be provided around the dryer.

J. A 1/8 inch NPT plugged tapping, accessible for test gage connection, must be installed immediately upstream of the gas supply connection to the dryer.

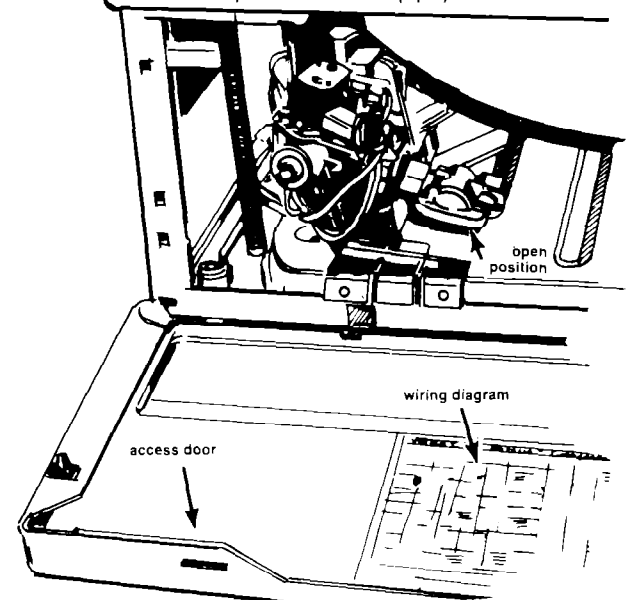
The dryer and its individual shut-off valve must be disconnected from the gas supply piping system during any pressure testing of that system at test pressures in excess of 1/2 psig (3.45 kPa). The dryer must be isolated from the gas supply piping system by closing its individual manual shut-off valve during any pressure testing of the gas supply piping system at test pressures equal to or less than 1/2 psig (3.45 kPa).

Important: observe all governing codes and ordinances.

K. The dryer shut-off valve and the wiring diagram are located behind the lower front access panel. To open the access panel, grasp the sides of the panel at the top and pull out and down. The panel is hinged at the bottom. Close the access panel after servicing. Do not operate the dryer with the access panel open.

L. If dryer will not operate, check the following to be sure that:

1. Electric supply is connected.
2. Fuse is intact and tight.
3. Door is closed.
4. Controls are set in a running or "On" position.
5. Start button has been pushed firmly or the power control lever moved upward to start.
6. Gas shut-off valves are open both on dryer and on supply lines.



Electrical requirements

Observe all governing Codes and Ordinances.

1. A two wire, single phase, 220 Volt, 50 Hz, AC only, electrical power supply is required on a separately fused 15 Ampere circuit. (Time delay fuse or circuit breaker is recommended.)
2. An adequate electrical ground is required within 4 feet of the appliance location when using the grounding wire supplied.
3. **THE DRYER MUST BE CONNECTED TO COPPER WIRE ONLY. Aluminum wire must not be used to avoid potentially unsatisfactory connections.**
4. Local codes may permit the use of a flexible type electrical power supply cord (pigtail). A suitable strain relief must be provided at the point the power supply cord enters the appliance.
5. The appliance may be connected directly to the fused disconnect (or circuit breaker) box through flexible armored or non-metallic sheathed cable. Allow two or three feet of slack in the line between the wall and the appliance so that it may be moved if servicing is ever necessary. A suitable strain relief must be provided at each end of the electrical power supply cable (at the appliance and at the junction box). Wire sizes and connections must conform with the rating of the appliance (15 Amperes). **DO NOT** use an extension cord.

Electrical Connection

220 Volt – Single Phase – 2-Wire Connection

Electrical ground is required on this appliance.

This appliance is manufactured with the neutral terminal NOT connected to the frame.

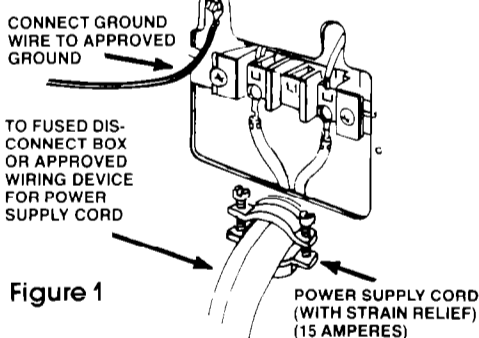


Figure 1

Connect the power supply cord as follows:

1. Remove the terminal block cover.
2. Connect the two wires of the power supply cord to the outer terminals of the terminal block. See Figure 1. For connecting plain-end field wire, see Figure 2.
3. Replace terminal block cover.

NOTE: Plain-end field wires must be fastened between the terminals of the terminal block and the nuts of the terminal block screws as shown in Figure 2.

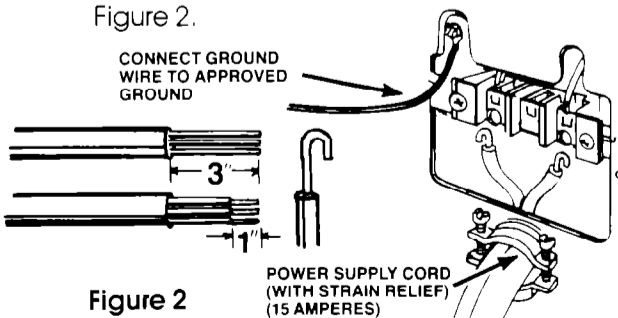


Figure 2

4. Connect a separate copper grounding wire (No. 10 minimum) to a grounded cold water pipe* by means of a clamp and then to the frame of the appliance at the external grounding connector. Use Part No. 685463 grounding wire and clamp assembly. Do not ground to a gas supply pipe. Do not connect

the power supply cord to electric power supply until appliance is permanently grounded.

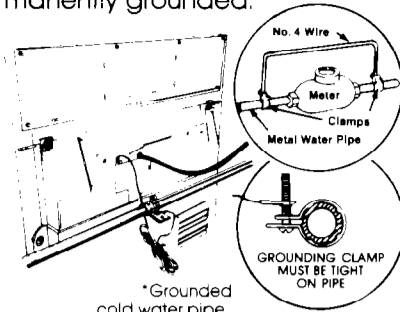


Figure 3

Exhaust requirements

WARNING:

- **Metal** flexible duct may be used. Non-metallic flexible duct is **not** recommended since it is a potential fire hazard.

For Safety:

- Do not exhaust dryer into a chimney, furnace cold air duct, attic or crawl space, or any other duct used for venting. Accumulated lint could become a fire hazard or moisture could cause damage.
- Clean the exhaust system periodically, at least every 2 years.
- Never install flexible duct concealed in walls, ceiling or under flooring.

Four Inch Metal Exhaust Duct is recommended. (Do **not** use 3-inch exhaust duct.) Use **Duct Tape** to seal all joints.

Exhausting the dryer outside is recommended. If you cannot exhaust the dryer to the outside, use Exhaust Deflector Kit LCK4000 available from your Whirlpool dealer.



The **Exhaust Outlet** is located at the bottom center of the dryer back.

The **Exhaust Duct** can be routed up, down, left, right or straight out the back of the dryer.

Metal Flexible Duct must be fully extended and supported when the dryer is in its final position. **DO NOT KINK OR CRUSH THE DUCT.**

An **Exhaust Hood** should cap the exhaust duct to prevent exhausted air returning into dryer. The outlet of the hood must be at least 12 inches from the ground or anything else that may be in the path of the exhaust.

A **2½ inch outlet Exhaust Hood** should be used with short systems only. (This outlet creates greater back pressure than other hood types.)

Exhaust Hoods with magnetic latches should **not** be used.

The **Maximum Length** of the exhaust system depends upon the type of duct used, number of elbows and type of exhaust hood. The maximum length for both rigid and flexible duct is shown in chart.

| NUMBER OF 90° TURNS | EXHAUST HOOD TYPE | | | MAXIMUM LENGTH OF 4" DIA. RIGID METAL DUCT. |
|---------------------|-------------------|--------|--------|--|
| | A | B | C | |
| 0 | 43 FT. | 41 FT. | 36 FT. | MAXIMUM LENGTH OF 4" DIA. FLEXIBLE METAL DUCT. |
| 1 | 33 FT. | 31 FT. | 26 FT. | |
| 2 | 23 FT. | 21 FT. | 16 FT. | |
| 0 | 30 FT. | 29 FT. | 24 FT. | MAXIMUM LENGTH OF 4" DIA. FLEXIBLE METAL DUCT. |
| 1 | 24 FT. | 23 FT. | 18 FT. | |
| 2 | 16 FT. | 15 FT. | 10 FT. | |

Exhaust Systems longer than specified will:

- Shorten the life of the dryer.
- Reduce the performance in ways such as causing longer drying times and increasing the use of energy.

- Accumulate lint.

For **Exhaust Systems** not covered by the exhaust length chart, see Whirlpool Service Manual, Exhausting Whirlpool Dryers, Part No. 603197 available from your Whirlpool parts distributor. The back pressure in any exhaust system used must not exceed .6 inches of water column measured with an inclined manometer at the point that the exhaust system connects to the dryer.

There are **Exhaust Kits** available that allow you to direct filtered exhaust air inside to conserve energy during winter months. Whirlpool has a Heat-Humidity Saver Part No. 279427 which can be used with Whirlpool dryers providing their use does not violate national or local codes. If you use one of these kits, be aware that excessive moisture in the home can cause many problems and that you may see an increase in the time required to dry a load. Also, you must regularly clean the filter to avoid excessive lint build-up which can affect the dryer's performance.

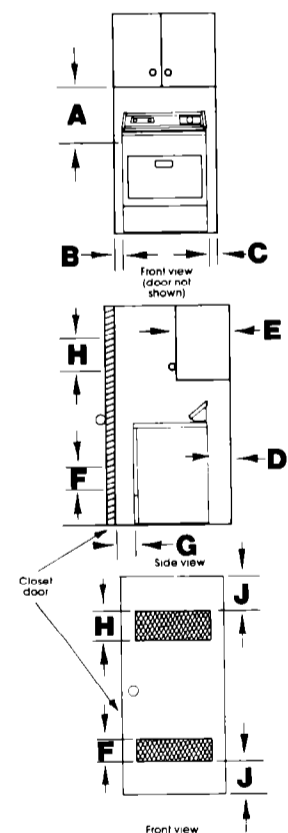
NOTE: Do not use this kit on a dryer installed in a bedroom, bathroom, or closet.

Recessed Area Instructions

INSTRUCTIONS FOR RECESSED OR CLOSET INSTALLATIONS

The following installation spacings and door air openings for the dryer are possible when installed and exhausted as noted. (Spacing as indicated is in inches and is minimum allowable. For ease of installation and service, additional spacing should be considered.)

TO PREVENT LARGE AMOUNTS OF LINT AND MOISTURE FROM ACCUMULATING AND TO MAINTAIN DRYING EFFICIENCY, THIS MACHINE MUST BE EXHAUSTED OUTDOORS.



MINIMUM INSTALLATION SPACING

| RECESS INSTALLATION | A | B | C | D | E |
|--|----|---|---|---|---------|
| NON-EXHAUSTED (DEFLECTOR LCK4000 REQUIRED) | - | 0 | 0 | 4 | - |
| EXHAUSTED | 15 | 0 | 0 | 0 | 14 Max. |

| CLOSET INSTALLATION | A | B | C | D | F | G | H | J |
|---------------------|----|---|---|---|------------|---|------------|---|
| EXHAUSTED ONLY | 15 | 0 | 0 | 4 | 24 sq. in. | 1 | 48 sq. in. | 3 |

Unobstructed air openings required for laundry equipment when door is installed.

* Shelf or cabinet is not permitted above dryer when non-exhausted.

** Louvered door with equivalent air openings is acceptable.

*** "D" Dimension must be measured from dryer cabinet rear panel.

Companion appliance spacings should be considered.

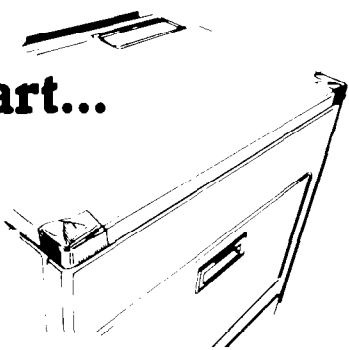
Detailed space requirements can be found on the label located on the back panel of dryer.

NOTE: No other fuel burning appliance may be installed in the same closet.

Now start...

1.

Take tape off of front corners of dryer.

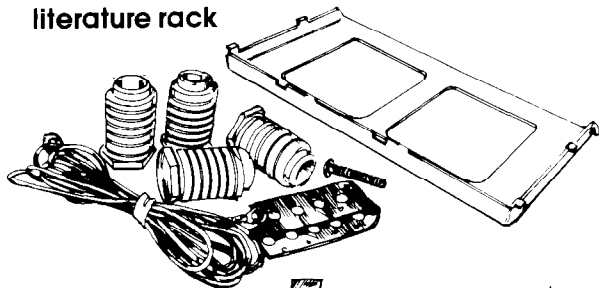


2.

Open dryer and remove the literature and parts packages. (If your dryer has a drying rack it should be removed also.) Remove all parts from the plastic packages. Line these up next to your tools so each part is there when you need it.

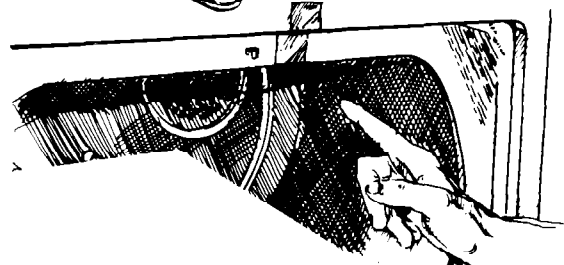
Check to see that you have these parts:

4 legs 1 grounding wire literature rack



3.

Remove the tape that holds the drum to the cabinet. (Some dryer drums are not taped for shipping.) Move the drum by hand to make certain all tape has been removed. Wipe the interior of the drum thoroughly with a damp cloth before using the dryer.



4.

Take two of the cardboard corners from the carton and place them on the floor in back of the dryer.

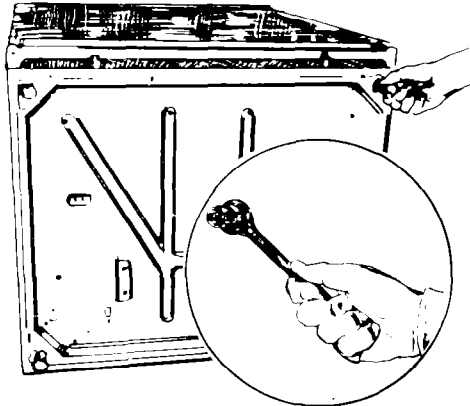
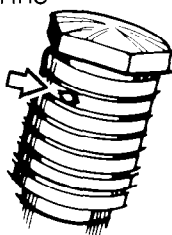


5.

Firmly grasp the body of the dryer and gently lay it on its back on the cardboard corners.

6.

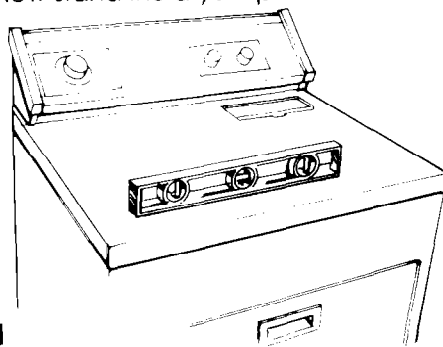
With one of the legs in hand, check the ridges for a diamond marking, that's how far the leg is supposed to go into the hole. Start to screw the legs into the



holes by hand. A little liquid detergent to lubricate the screw will help. Use a 1" wrench or socket to finish turning the legs until you reach the diamond mark.

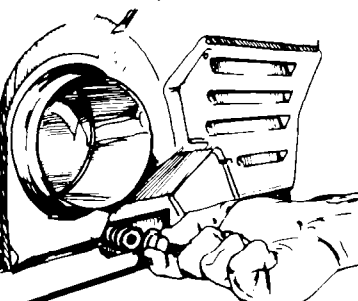
7.

Now stand the dryer up.



8.

Move the dryer close to its final location. To make sure the dryer is level, take a carpenter's level and place it on the top of the dryer, first side to side, then front to back. If the dryer is not level, screw the legs of the dryer up or down to adjust.



9.

Remove the red cap from the the gas pipe. Move the dryer into its final position.

10.

Connect gas supply to dryer. Use pipe joint compound resistant to the action of LP gas for gas connections. If flexible metal tubing is used, be certain there are no kinks.

11.

The gas valve inside the dryer is shipped in the "ON" position. Check that the gas valve shut-off control is still in the "ON" position.

12.

Open the shut-off valve in the gas supply line.



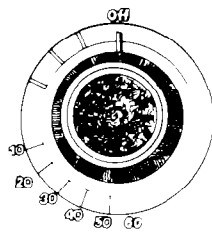
13.

Use a brush and liquid detergent to test all gas connections for leaks. Bubbles around connections will indicate a leak. If a leak appears, shut off gas valve controls and adjust connections. Then check connections again.

NEVER TEST FOR GAS LEAKS WITH A FLAME

14.

Connect the grounding wire to the external grounding connector on the back of the dryer. Connect the other end of the grounding wire to a grounded cold water pipe. Plug the electrical cord into the grounded outlet.

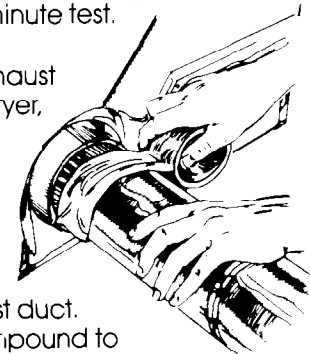


15.

Turn the dryer on to remove air from the gas supply line. Using a full heat cycle (not the air cycle), let the dryer run for at least five minutes. If the burner does not ignite and you can feel no heat inside the dryer, shut off the dryer for five minutes. Check that all supply valve controls are in "ON" position and that the electrical cord is plugged in. Repeat the five-minute test.

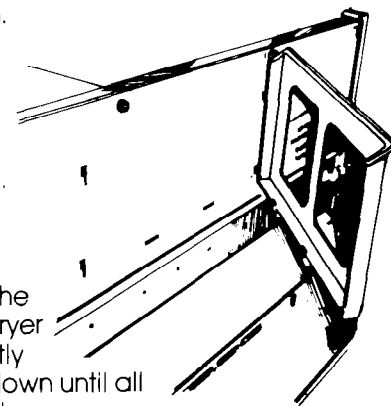
16.

To exhaust the dryer, see Exhaust Requirements. Connect exhaust duct to exhaust hood. Use duct tape to seal all joints in exhaust duct. Use caulking compound to seal exterior wall opening around exhaust hood.



17.

Install the literature rack. Insert tabs (2 on each side and 2 on the bottom) into the back of the dryer console. Gently push in and down until all tabs lock in place.



18.

Check to see that all of the parts you removed from the installation parts packages in step 2 are now **installed** in the dryer. If you still have an extra part, go back through the steps to see what you skipped.

19.

Check to make sure you have all the tools you started with in step A.

Congratulations!

You have just finished installing your new Whirlpool gas dryer. To make sure you get the most efficient use and greatest enjoyment from your new dryer, read your Whirlpool Operating Instructions. (And be sure to fold these installation instructions and put them in the literature Bac-Pak. They'll make re-installing your Whirlpool dryer in another home as easy as your first installation.)

When moving the dryer...

- Disconnect the electrical cord and grounding wire and tape securely to dryer.
- Shut off the gas supply valve controls in the gas supply line.
- Disconnect gas pipe and fittings from dryer and cap the gas supply line.
- Tape the drum to the front panel. Tape the dryer door, lint screen lid and end of gas pipe.
- Screw leveling legs all the way in.

Before installing your dryer in your new home, check with your gas supplier or dealer to see that your dryer is equipped with the correct burner for the particular type of gas in your new home. Burner information may be found on the rating plate in the door well of the dryer.

Use caution when moving this appliance to prevent damage to floor coverings. The weight of the appliance may cause ripping, scratching or other damage to the floor. For BEST RESULTS slide appliance onto cardboard or fiber-board before moving to prevent damage.

If you move... To make sure that your appliance is correctly installed and to insure its continued satisfactory operation, call your dealer. (Installation cost will, of course, be paid by you.)

Helpful hints... You can help your service representative give you faster service if you include the model and serial number of your appliance when requesting service. Also, retain your sales slip and warranty to verify your warranty status.

Remember... Your service representative is trained in the repairing and servicing of your WHIRLPOOL appliances. He can help you maintain the quality originally built into your WHIRLPOOL appliance.

If you have a problem*:

Call your dealer or write:

Service Manager,
International Division
Whirlpool Corporation
Administrative Center
2000 U.S. 33 North
Benton Harbor, Michigan 49022

*If you must write, please provide: your name, address, telephone number, type of appliance, brand, model, serial number, date of purchase, the dealer's name, and a complete description of the problem. This information is needed in order to better respond to your request for assistance.

