

Frigidaire

Factory Parts Catalog

Product No.	FAA065N7A3
Series	MS II
Volts	115
BTU-Cooling	6000
Owner's Guide	2202039823
Market	North America

 **Electrolux**

ELECTROLUX HOME PRODUCTS, INC.
P.O. Box 212378, Augusta, GA 30917

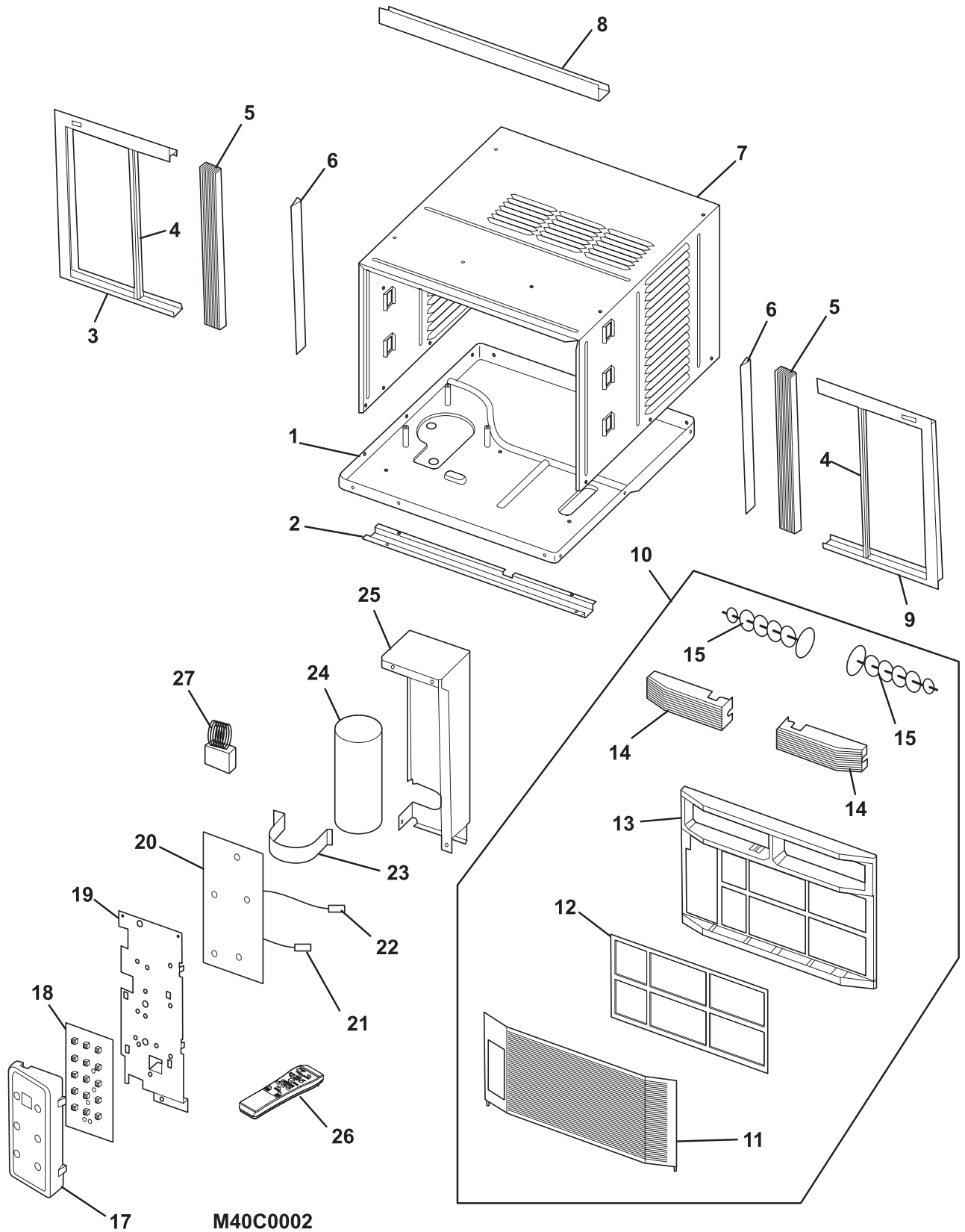
Publication No.
5995418505
04/10/14
(EN/SERVICE/KC)
099

**ROOM AIR
CONDITIONER**

Model No.
FAA065N7A

Copyright © 2004 Electrolux Home Products, Inc.
All rights reserved.

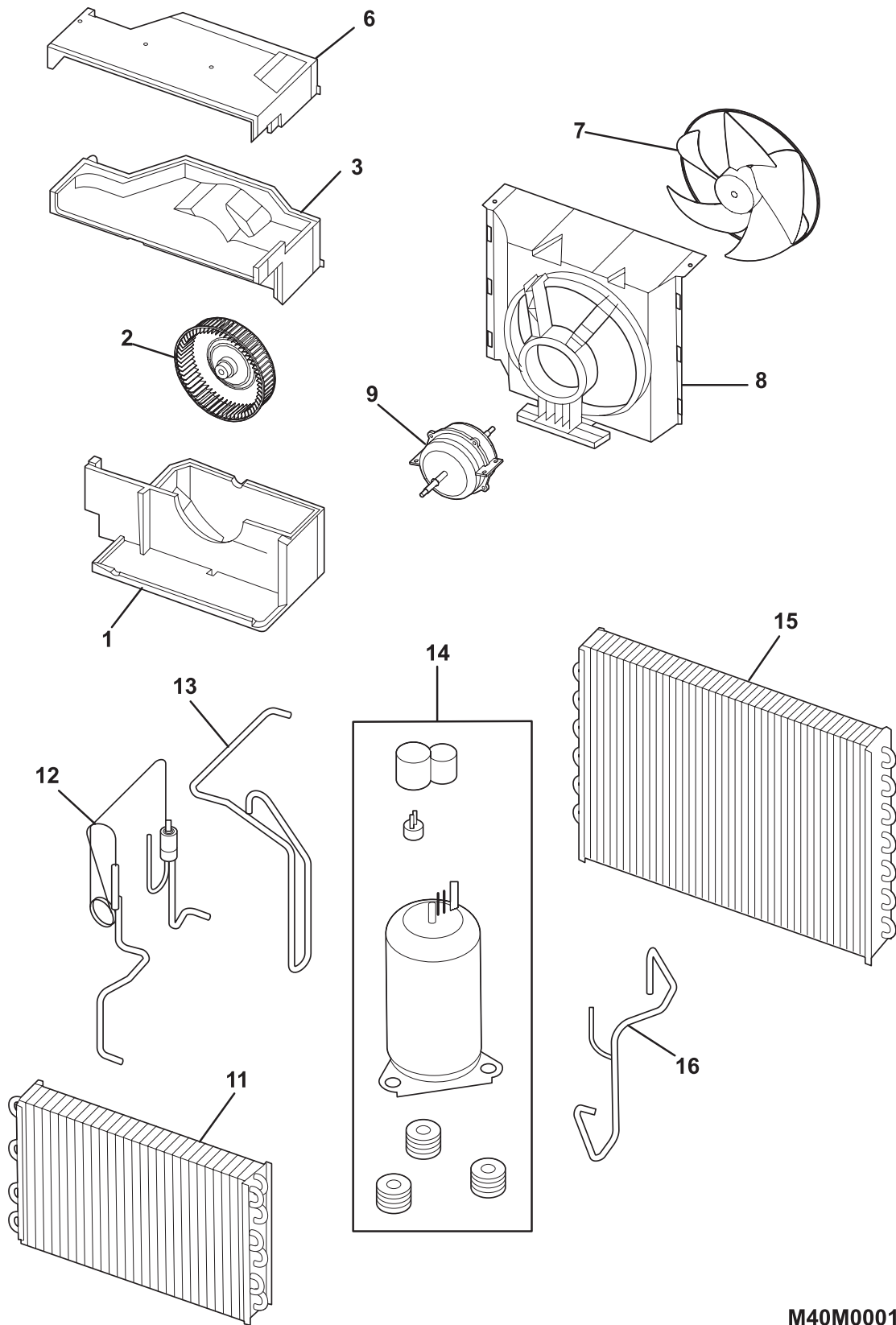
CABINET, FRONT, CONTROLS



CABINET, FRONT, CONTROLS

POS. NO	PART NO.	DESCRIPTION
1	5304437072	Base, unit chassis
2	5304437068	Rail, shutter track, bottom
3	5304437055	Frame, shutter panel, LH
4	5304437052	Retainer, shutter lock
5	5304437053	Shutter, accordion panel
6	5304437057	Retainer, shutter mount, cabinet sides
7	5304437071	Cabinet, wrapper/sleeve
8	5304437069	Rail, shutter track, top
9	5304437054	Frame, shutter panel, RH
10	5304437063	Front Assembly, complete panel, includes
11	5304437059	Panel, front grille, tilt-out
12	5304437062	Filter, air, plastic frame
13	5304437058	Frame, front assembly
14	5304437061	Louver, horizontal
15	5304437060	Louver, vertical
17	5304436536	Enclosure, control, pcb display
17	5304436541	Control Panel, display, electronic
18 #	5304437074	PC Board, display/input
19	5304437066	Panel, ctrl mtg board
20 #	5304436532	PC Board, control/power
21 #	5304436543	Sensor, ambient temp
22 #	5304436542	Sensor, evap temp, defrost
23	5304436530	Strap, capacitor mtg.
24 #	5304437111	Capacitor
25	5304437070	Control Box
26 #	5304436595	Remote Control, transmitter
27 #	5304436529	Ionizer

COOLING & AIR FLOW SYSTEMS



M40M0001

COOLING & AIR FLOW SYSTEMS

POS. NO	PART NO.	DESCRIPTION
1	5304437105	Scroll, blower housing, bottom, w/drain tray
2 #	5304437891	Blower Wheel, centrifugal fan
3	5304437104	Scroll, blower housing, top
6	5304437103	Cover, blower scroll, top
7 #	5304437049	Fan Blade, propeller, axial flow
8 #	5304437056	Shroud, fan housing
9 #	5304442361	Motor, fan
11 #	5304437091	Evaporator
12 #	5304437097	Capillary Tube, assy w/strainer
13 #	5304437099	Discharge Tube
14 #	5304437079	Compressor Assy, <u>Note</u> : includes overload, wiring cover, and mounting grommets
15 #	5304437090	Condenser
16 #	5304437098	Suction Tube

WIRING DIAGRAM

