



KSM7586P
Stand Mixer

INSTRUCTIONS

Mélangeur sur Socle

INSTRUCTIONS

Batidora con Base

INSTRUCCIONES

Welcome to the world of KitchenAid.®

We're committed to helping you create a lifetime of delicious meals for family and friends. To help ensure the longevity and performance of your appliance, keep this guide handy. It will empower you with the best way to use and care for your product. Your satisfaction is our #1 goal. Remember to register your product online at www.kitchenaid.com, or by mail using the attached Product Registration Card.



USA and Canada:
1.800.832.7173

KitchenAid.com
KitchenAid.ca

Table of Contents

STAND MIXER SAFETY	
Important Safeguards.....	4
Electrical Requirements.....	5
PARTS AND FEATURES	6
ASSEMBLING YOUR BOWL-LIFT STAND MIXER	7
BEATER TO BOWL CLEARANCE	8
USING YOUR STAND MIXER	
Mixing Time.....	8
Mixer Use.....	8
Using the Pouring Shield.....	9
Using Your KitchenAid® Beater Attachments.....	9
SPEED CONTROL GUIDE- 10 SPEED STAND MIXERS	10
MIXING TIPS	
General Information.....	11
Egg Whites.....	12
Whipped Cream.....	12
BREAD MAKING TIPS	
General Information.....	13
Mixing and Kneading Yeast Dough with the Rapid Mix Method.....	14
Shaping a Loaf.....	15
ATTACHMENTS AND ACCESSORIES	
General Information.....	16
General Instructions.....	17
ATTACHMENTS GUIDE	18
CARE AND CLEANING	20
TROUBLESHOOTING	21
WARRANTY	22

Proof of Purchase & Product Registration

Always keep a copy of the itemized sales receipt showing the date of purchase of your Stand Mixer. Proof of purchase will assure you of in-warranty service. Before you use your Stand Mixer, please fill out and mail your product registration card packed with the unit, or register online at www.kitchenaid.com.

This will enable us to contact you in the unlikely event of a product safety notification and assist us in complying with the provisions of the Consumer Product Safety Act. This card does not verify your warranty. Please complete the following for your personal records:

Model Number _____

Serial Number _____

Date Purchased _____

Store Name _____

Stand Mixer Safety

Your safety and the safety of others are very important.

We have provided many important safety messages in this manual and on your appliance. Always read and obey all safety messages.



This is the safety alert symbol.

This symbol alerts you to potential hazards that can kill or hurt you and others.

All safety messages will follow the safety alert symbol and either the word "DANGER" or "WARNING." These words mean:

 **DANGER**

You can be killed or seriously injured if you don't immediately follow instructions.

 **WARNING**

You can be killed or seriously injured if you don't follow instructions.

All safety messages will tell you what the potential hazard is, tell you how to reduce the chance of injury, and tell you what can happen if the instructions are not followed.

IMPORTANT SAFEGUARDS

When using electrical appliances, basic safety precautions should always be followed, including the following:

1. Read all instructions.
2. To avoid risk of electrical shock, do not put Stand Mixer in water or other liquid.
3. Close supervision is necessary when any appliance is used by or near children.
4. Unplug Stand Mixer from outlet when not in use, before putting on or taking off parts, and before cleaning.
5. Avoid contacting moving parts. Keep hands, hair, and clothing, as well as spatulas and other utensils away from beater during operation to reduce the risk of injury to persons and/or damage to the Stand Mixer.
6. Do not operate Stand Mixer with a damaged cord or plug or after the Stand Mixer malfunctions, or is dropped or damaged in any manner. Call the KitchenAid® Customer Satisfaction Center at 1-800-832-7173 for more information.
7. The use of attachments not recommended or sold by KitchenAid may cause fire, electrical shock, or injury.
8. Do not use the Stand Mixer outdoors.
9. Do not let the cord hang over edge of table or counter.
10. Remove flat beater, wire whip, or dough hook from Stand Mixer before washing.

SAVE THESE INSTRUCTIONS

**THIS PRODUCT IS DESIGNED FOR HOUSEHOLD
USE ONLY.**

ELECTRICAL REQUIREMENTS

Volts: 120 A.C. only. Hertz: 60
The power rating for your Stand Mixer is printed on the serial plate.

Do not use an extension cord. If the power supply cord is too short, have a qualified electrician or serviceman install an outlet near the appliance.

The maximum rating is based on the attachment that draws the greatest load (power). Other recommended attachments may draw significantly less power.

WARNING



Electrical Shock Hazard

Plug into a grounded 3 prong outlet.

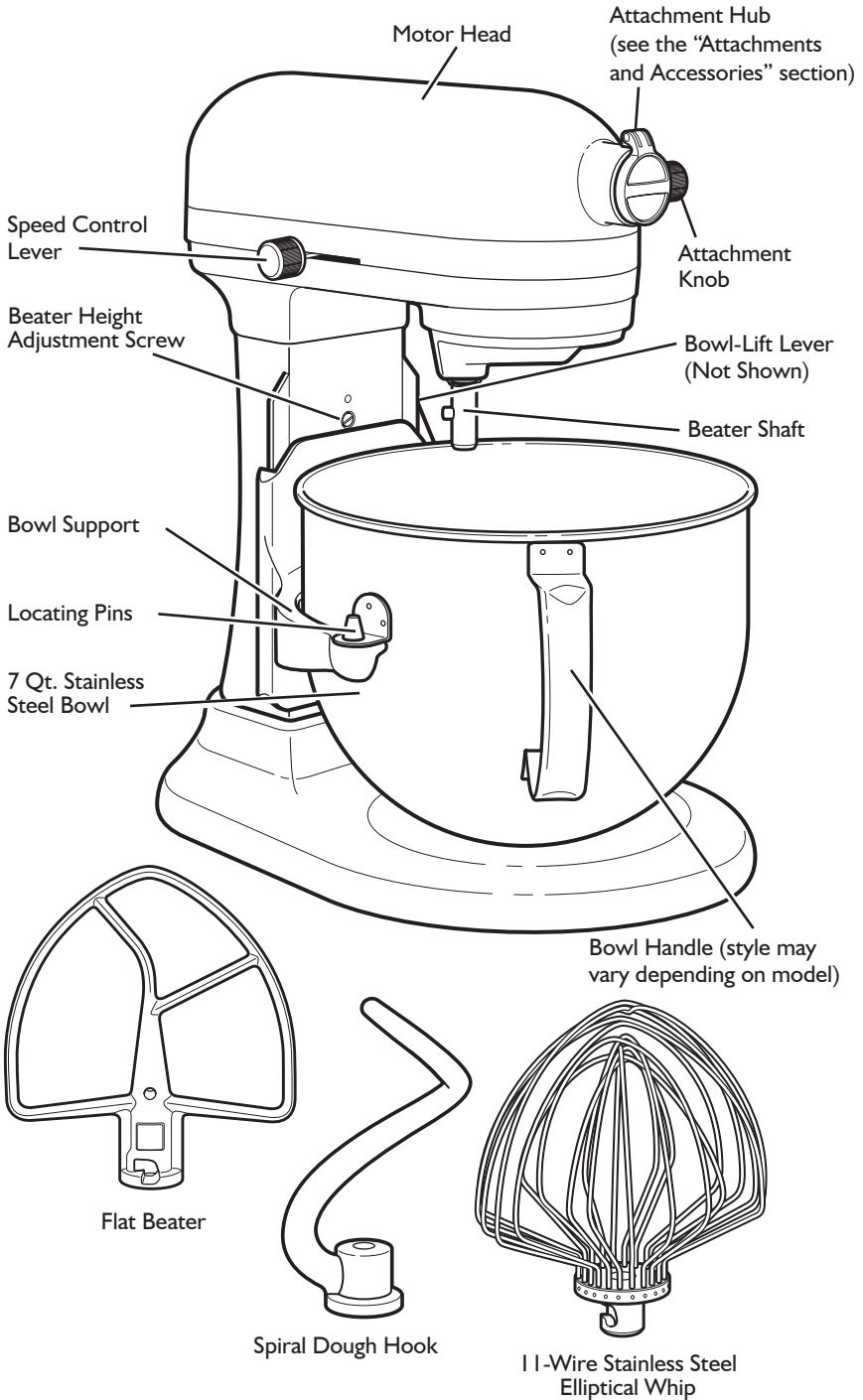
Do not remove ground prong.

Do not use an adapter.

Do not use an extension cord.

Failure to follow these instructions can result in death, fire, or electrical shock.

Parts and Features



Assembling Your Bowl-Lift Stand Mixer

⚠ WARNING



Electrical Shock Hazard

Plug into a grounded 3 prong outlet.

Do not remove ground prong.

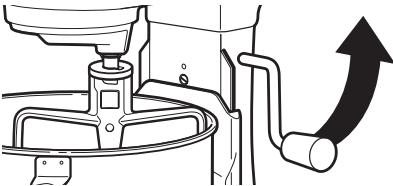
Do not use an adapter.

Do not use an extension cord.

Failure to follow these instructions can result in death, fire, or electrical shock.

To Attach Bowl

1. Be sure speed control is OFF and Stand Mixer is unplugged.
2. Place bowl-lift lever in down position.
3. Fit bowl supports over locating pins.
4. Press down on back of bowl until bowl pin snaps into spring latch.
5. Raise bowl before mixing.
6. Plug into a grounded 3 prong outlet.



To Raise Bowl

1. Rotate lever to straight-up position.
2. Bowl must always be in raised, locked position when mixing.

To Lower Bowl

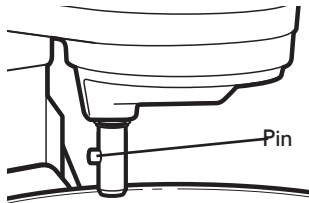
1. Rotate lever back and down.

To Remove Bowl

1. Be sure speed control is OFF and Stand Mixer is unplugged.
2. Place bowl-lift lever in down position.
3. Remove flat beater, wire whip, or spiral dough hook.
4. Grasp bowl handle and lift straight up and off locating pins.

To Attach Flat Beater, Wire Whip, or PowerKnead™ Spiral Dough Hook

1. Slide speed control to OFF and unplug.
2. Slip flat beater on beater shaft.

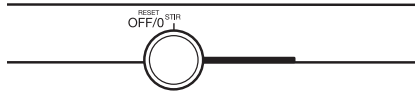


3. Turn beater to right, hooking beater over the pin on shaft.
4. Plug into a grounded 3 prong outlet.

To Remove Flat Beater, Wire Whip, or PowerKnead™ Spiral Dough Hook

1. Slide speed control to OFF and unplug.
2. Press beater upward and turn to the left.
3. Pull beater from beater shaft.

Household Stand Mixer Speed Control

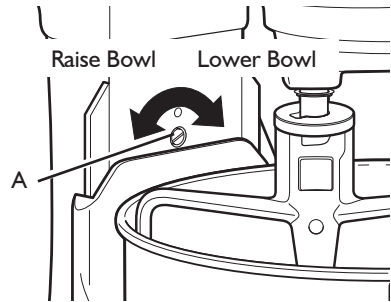


Plug into a grounded 3 prong outlet. Speed control lever should always be set on lowest speed for starting, then gradually moved to desired higher speed to avoid splashing ingredients out of bowl. See the “Speed Control Guide” section.

Beater to Bowl Clearance

Your Stand Mixer is adjusted at the factory so the flat beater just clears the bottom of the bowl. If, for any reason, the flat beater hits the bottom of the bowl or is too far away from the bowl, you can correct the clearance easily.

1. Unplug Stand Mixer.
2. Place bowl-lift lever in down position.
3. Attach flat beater.
4. Adjust so flat beater just clears bottom surface of bowl when in lifted position by turning screw (A) counterclockwise to raise the bowl and clockwise to lower the bowl. Just a slight turn is all that is required: the screw will not rotate more than 1/4 turn (90 degrees) in either direction. (The full range of adjustment is 1/2 turn, or 180 degrees.)
5. Place bowl-lift lever in up position to check clearance.
6. Repeat steps 4 and 5 if necessary.



NOTE: When properly adjusted, the flat beater will not strike on the bottom or side of the bowl. If the flat beater or the wire whip is so close that it strikes the bottom of the bowl, coating may wear off the beater or wires on whip may wear.

Using Your Stand Mixer

Mixing Time

Your KitchenAid® Stand Mixer will mix faster and more thoroughly than most other electric stand mixers. Therefore, the mixing time in most recipes must

be adjusted to avoid overbeating. With cakes, for example, beating time may be half as long as with other stand mixers.

Mixer Use

⚠ WARNING

Injury Hazard

Unplug mixer before touching beaters.

Failure to do so can result in broken bones, cuts, or bruises.

The bowl and beater are designed to provide thorough mixing without frequent scraping. Scraping the bowl once or twice during mixing is usually sufficient. Turn Stand Mixer off before scraping. The Stand Mixer may warm up during use. Under heavy loads with extended mixing time, you may not be able to comfortably touch the top of the Stand Mixer. This is normal.

NOTE: Do not scrape bowl while Stand Mixer is operating.

Using Your Stand Mixer

Using the Pouring Shield*

Attaching the Pouring Shield

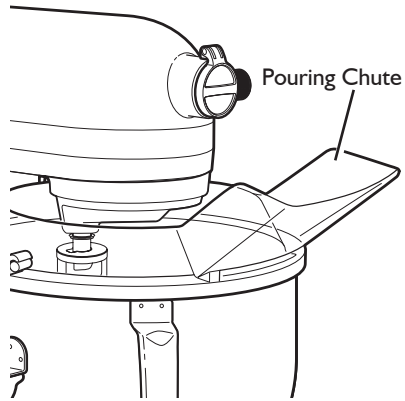
1. Make sure the speed control lever is set to the OFF/O position.
2. Unplug the Stand Mixer.
3. Attach desired accessory and raise the mixing bowl.
4. Slide pouring shield collar around beater shaft, centering collar over rim of bowl.

Using the Pouring Shield*

Pour ingredients into the mixing bowl through the chute portion of shield.

IMPORTANT: Make sure the guides on the bottom of the chute rest on the rim of the bowl to keep ingredients from falling outside the bowl as they are added.

*Included with some models.



Removing the Pouring Shield

1. Make sure the speed control lever is set to the OFF/O position.
2. Unplug the Stand Mixer.
3. Slide the pouring shield off the bowl.
4. Lower the bowl support by turning the bowl-lift lever down.
5. Remove accessory and the mixing bowl.

Using Your KitchenAid® Beater Attachments

Flat Beater for normal to heavy mixtures:

cakes	biscuits
creamed frostings	quick breads
candies	meat loaf
cookies	mashed potatoes
pie	pastry

Wire Whip for mixtures that need air incorporated:

eggs	sponge cakes
egg whites	angel food cakes
heavy cream	mayonnaise
boiled frostings	some candies

PowerKnead™ Spiral Dough Hook for mixing and kneading yeast doughs:

bread	coffee cakes
rolls	buns
pizza dough	

Speed Control Guide - 10 Speed Stand Mixers

All speeds have the Soft Start® feature that automatically starts the Stand Mixer at a lower speed to help avoid ingredient splash-out and “flour puff” at start-up, then quickly increases to the selected speed for optimal performance.

Number of Speed

STIR Speed	STIRRING	For slow stirring, combining, mashing, starting all mixing procedures. Use to add flour and dry ingredients to batter, and add liquids to dry ingredients. Do not use STIR speed to mix or knead yeast doughs.
2	SLOW MIXING	For slow mixing, mashing, faster stirring. Use to mix and knead yeast doughs, heavy batters, and candies; start mashing potatoes or other vegetables; cut shortening into flour; mix thin or splashy batters.
4	MIXING, BEATING	For mixing semi-heavy batters, such as cookies. Use to combine sugar and shortening and to add sugar to egg whites for meringues. Medium speed for cake mixes. Use with: Food Grinder, Rotor Slicer/Shredder, Pasta Roller, and Fruit/Vegetable Strainer.
6	BEATING, CREAMING	For medium-fast beating (creaming) or whipping. Use to finish mixing cake, doughnut, and other batters. High speed for cake mixes. Use with Citrus Juicer attachment.
8	FAST BEATING, WHIPPING	For whipping cream, egg whites, and boiled frostings.
10	FAST WHIPPING	For whipping small amounts of cream, egg whites or for final whipping of mashed potatoes. Use with Pasta Maker and Grain Mill attachments. NOTE: Will not maintain fast speeds under heavy loads, such as when using Pasta Maker or Grain Mill attachments.

NOTE: Use Speed 2 to mix or knead yeast doughs. Use of any other speed creates high potential for Stand Mixer failure. The PowerKnead™ Spiral Dough Hook efficiently kneads most yeast dough within 4 minutes.

General Information

Converting Your Recipes for the Stand Mixer

Use the following guidelines to adapt your favorite recipes to use with your KitchenAid® Stand Mixer.

The “quick mix” method (sometimes referred to as the “dump” method) is ideal for simple cakes. This method calls for combining dry ingredients with most or all liquid ingredients in one step.

More elaborate cakes should be prepared using the traditional cake mixing method. With this method, sugar and the shortening, butter, or margarine are thoroughly mixed (creamed) before other ingredients are added.

For all cakes, mixing times may change because your KitchenAid® Stand Mixer works more quickly than other mixers. In general, mixing a cake with the KitchenAid® Stand Mixer will take about half the time called for in most cake recipes.

To help determine the ideal mixing time, observe the batter or dough and mix only until it has the desired appearance described in your recipe, such as “smooth and creamy.”

To select the best mixing speeds, use the “Speed Control Guide” section.

Adding Ingredients

Always add ingredients as close to side of bowl as possible, not directly into moving beater. The Pouring Shield can be used to simplify adding ingredients.

NOTE: If ingredients in very bottom of bowl are not thoroughly mixed, then the beater is not far enough into the bowl. See the “Beater to Bowl Clearance” section.

Cake Mixes

When preparing packaged cake mixes, use Speed 2 for low speed, Speed 4 for medium speed, and Speed 6 for high speed. For best results, mix for the time stated on the package directions.

Adding Nuts, Raisins, or Candied Fruits

Follow individual recipes for guidelines on including these ingredients. In general, solid materials should be folded in the last few seconds of mixing on STIR Speed. The batter should be thick enough to keep the fruit or nuts from sinking to the bottom of the pan during baking. Sticky fruits should be dusted with flour for better distribution in the batter.

Liquid Mixtures

Mixtures containing large amounts of liquid ingredients should be mixed at lower speeds to avoid splashing. Increase speed only after mixture has thickened.

Mixing Tips

Egg Whites

Place room temperature egg whites in clean, dry bowl. Attach bowl and wire whip. To avoid splashing, gradually turn to designated speed and whip to desired stage. See chart below.

AMOUNT	SPEED
1 egg white.....	GRADUALLY to 10
2-4 egg whites.....	GRADUALLY to 8
6 or more egg whites.....	GRADUALLY to 8

Whipping Stages

With your KitchenAid® Stand Mixer, egg whites whip quickly. So watch to avoid overwhipping. This list tells you what to expect.

Frothy

Large, uneven air bubbles.

Begins to Hold Shape

Air bubbles are fine and compact; product is white.

Soft Peak

Tips of peaks fall over when wire whip is removed.

Almost Stiff

Sharp peaks form when wire whip is removed, but whites are actually soft.

Stiff but not Dry

Sharp, stiff peaks form when wire whip is removed. Whites are uniform in color and glisten.

Stiff and Dry

Sharp, stiff peaks form when wire whip is removed. Whites are speckled and dull in appearance

Whipped Cream

Pour cold whipping cream into chilled bowl. Attach bowl and wire whip. To avoid splashing, gradually turn to designated speed and whip to desired stage. See chart below.

AMOUNT	SPEED
1/4 cup (50 mL)	GRADUALLY to 10
1/2 cup (125 mL) ...	GRADUALLY to 10
1 cup (250 mL)	GRADUALLY to 8
1 pint (500 mL)	GRADUALLY to 8

Whipping Stages

Watch cream closely during whipping. Because your KitchenAid® Stand Mixer whips so quickly, there are just a few seconds between whipping stages. Look for these characteristics:

Begins to Thicken

Cream is thick and custard-like.

Holds its Shape

Cream forms soft peaks when wire whip is removed. Can be folded into other ingredients when making desserts and sauces.

Stiff

Cream stands in stiff, sharp peaks when wire whip is removed. Use for topping on cakes or desserts, or filling for cream puffs.

General Information

Making bread with a mixer is quite different from making bread by hand. Therefore, it will take some practice before you are completely comfortable with the new process. For your convenience, we offer these tips to help you become accustomed to bread-making the KitchenAid® brand way.

- Start out with an easy recipe, until you are familiar with using the PowerKnead™ Spiral Dough Hook.
- Always use the PowerKnead™ Spiral Dough Hook to mix and knead yeast doughs.
- Use Speed 2 to mix or knead yeast dough or fondants. Use of any other speed with heavy doughs may cause mixer to stop rotating to limit mixer damage. This is normal operation. If this occurs, turn the speed selector to off, and then turn back on to a lower speed.
- Do not use recipes calling for more than 16 cups all-purpose flour or 10 cups whole-wheat flour when making dough with a 7 qt. mixer.
- Use a candy or other kitchen thermometer to assure that liquids are at temperature specified in the recipe. Liquids at higher temperature can kill yeast, while liquids at lower temperatures will retard yeast growth.
- Warm all ingredients to room temperature to ensure proper rising of dough. If yeast is to be dissolved in bowl, always warm bowl first by rinsing with warm water to avoid cooling of liquids.
- Allow bread to rise in a warm place, 80°F to 85°F, free from draft, unless otherwise specified in recipe.
- Here are some alternative rising methods to use: (1) The bowl containing the dough can be placed on a wire rack over a pan of hot water. (2) The bowl can be placed on the top rack of an unheated oven; put a pan of hot water on the rack below. (3) Turn the oven to 400°F for 1 minute; then turn it off; place the bowl on the center rack of the oven and close the door.
Cover bowl with waxed paper, if desired. Always cover with towel to retain warmth in the bowl and protect the dough from drafts.
- Recipe rising times may vary due to temperature and humidity in your kitchen. Dough has doubled in bulk when indentation remains after tips of fingers are pressed lightly and quickly into dough.
- Most bread recipes give a range for the amount of flour to be used. Enough flour has been added when the dough starts to clean sides of bowl. If dough is sticky or humidity is high, slowly add more flour, about 1/2 cup at a time but do not exceed recommended flour capacity. Knead after each addition until flour is completely worked into dough. If too much flour is added, a dry loaf will result.
- When done, yeast breads and rolls should be deep golden brown in color. Other tests for doneness of breads are: Bread pulls away from the sides of pan, and tapping on the top of the loaf produces a hollow sound. Turn loaves and rolls onto racks immediately after baking to avoid sogginess.

Bread Making Tips

Making and Kneading Yeast Dough with the Rapid Mix Method

“Rapid Mix” describes a bread baking method that calls for dry yeast to be mixed with other dry ingredients before liquid is added. In contrast, the traditional method is to dissolve yeast in warm water.

1. Place all dry ingredients including yeast into bowl, except last 1 to 2 cups flour.
2. Attach bowl and PowerKnead™ Spiral Dough Hook. Raise mixer bowl. Turn to Speed 2 and mix about 15 seconds, or until ingredients are combined.
3. Continuing on Speed 2, gradually add liquid ingredients to flour mixture and mix 1 to 2 minutes longer. See Illustration A.

NOTE: If liquid ingredients are added too quickly, they will form a pool around the PowerKnead™ Spiral Dough Hook and slow down mixing process.

4. Continuing on Speed 2, gently add remaining flour, 1/2 cup at a time. See Illustration B. Mix until dough starts to clean sides of bowl, about 2 minutes.
5. Knead on Speed 2 for 2 more minutes, or until dough is smooth and elastic. See Illustration C.
6. Lower bowl on mixer and remove dough from the bowl and PowerKnead™ Spiral Dough Hook. Follow directions in recipe for rising, shaping, and baking.

When using the traditional method to prepare a favorite recipe, dissolve yeast in warm water in warmed bowl. Add remaining liquids and dry ingredients, except last 1 to 2 cups flour. Turn to Speed 2 and mix about 1 minute, or until ingredients are thoroughly mixed. Proceed with steps 4 through 6.

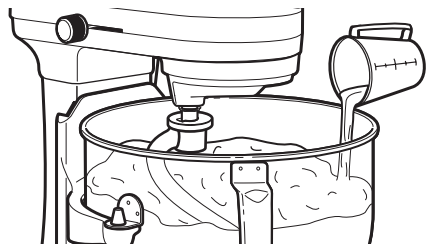


ILLUSTRATION A

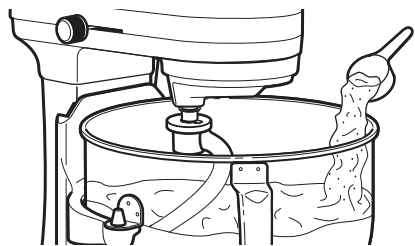


ILLUSTRATION B

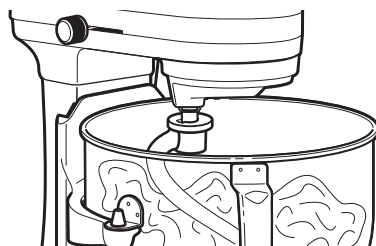


ILLUSTRATION C

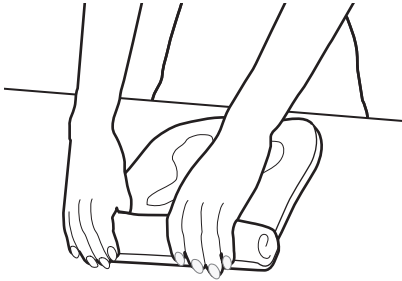
Both methods work equally well for bread preparation. However, the “Rapid Mix” method may be a bit faster and easier for new bread bakers. It is slightly more temperature tolerant because the yeast is mixed with dry ingredients rather than with warm liquid.

Bread Making Tips

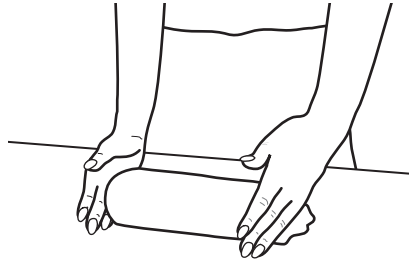
Shaping a Loaf



1. Divide dough in half. On lightly floured surface, roll each half into a rectangle, approximately 9 x 14". A rolling pin will smooth dough and remove gas bubbles.



2. Starting at a short end, roll dough tightly. Pinch dough to seal seam.



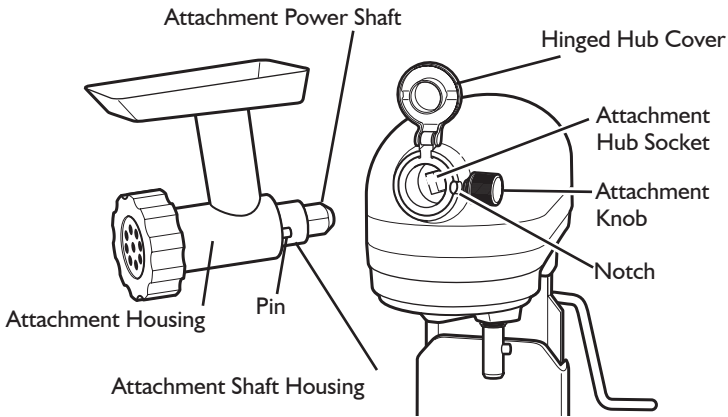
3. Pinch ends and turn under. Place, seam side down, in loaf pan. Follow directions in recipe for rising and baking.

Attachments and Accessories

General Information

KitchenAid® Attachments are designed to assure long life. The attachment power shaft and hub socket are of a square design, to eliminate any possibility of slipping during the transmission of power to the attachment. The hub and shaft housing are tapered to assure a snug fit, even after prolonged use and wear. KitchenAid® Attachments require no extra power unit to operate them; the power unit is built-in.

See the Use and Care Guide that came with your Stand Mixer attachments for speed settings and operating time.



General Instructions


To Attach

1. Turn Stand Mixer off and unplug.
2. Loosen attachment knob by turning it counterclockwise.
3. Flip up hinged hub cover.
4. Insert attachment shaft housing into attachment hub, making certain that attachment power shaft fits into square attachment hub socket. It may be necessary to rotate attachment back and forth. When attachment is in proper position, the pin on the attachment will fit into the notch on the hub rim.
5. Tighten attachment knob by turning clockwise until attachment is completely secured to Stand Mixer.

To Remove

1. Turn Stand Mixer off and unplug.
2. Loosen attachment knob by turning it counterclockwise. Rotate attachment slightly back and forth while pulling out.
3. Replace attachment hub cover. Tighten attachment knob by turning it clockwise.

⚠ WARNING



Electrical Shock Hazard

Plug into a grounded 3 prong outlet.

Do not remove ground prong.

Do not use an adapter.

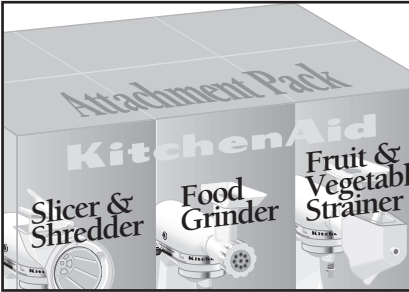
Do not use an extension cord.

Failure to follow these instructions can result in death, fire, or electrical shock.

6. Plug into a grounded 3 prong outlet.

Attachments Guide

Multifunction Attachment Pack



Model FPPA

Three popular KitchenAid® attachments have been packaged in one carton. It includes a Rotor Slicer/Shredder (RVSA), Food Grinder (FGA), and Fruit/Vegetable Strainer Parts (FVSP).

Fruit/Vegetable Strainer



Model FVSFGA

Makes preparing jams, purées, sauces, and baby foods quick and easy. Comes with Food Grinder.

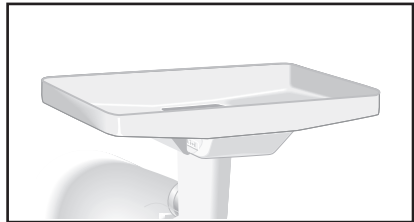
Food Grinder



Model FGA

Grinds meat, firm fruits and vegetables, and dry bread.

Food Tray



Model FT

Holds large quantities of food for quicker and easier juicing, puréeing, and grinding. For use with FGA.

For More Information, call 1-800-832-7173

Attachments Guide

Sausage Stuffer



Model SSA

3/8" and 5/8" stuffing tubes make Bratwurst, Kielbasa, Italian, or Polish Sausage and breakfast links. For use with FGA.

Grain Mill



Model KGMA

Grinds low-moisture grains from very fine to extra coarse textures.

Rotor Slicer/Shredder



Model RVSA

Includes 4 cones: thin and thick slicer, fine and coarse shredder.

Pasta Roller Set



Model KPRA

Makes lasagna noodles, fettuccini, and linguine fini. 3 piece set includes Roller, Fettuccine Cutter, and Linguine Fini Cutter.

For More Information, call 1-800-832-7173

Attachments Guide

Citrus Juicer



Model JE

Juices citrus fruits quickly and thoroughly; strains out pulp.

Pouring Shield



Model KN2PS

(Fits all 7 qt. wide bowl-lift models)
Minimizes splash-out when adding ingredients.

For More Information, call 1-800-832-7173

Care and Cleaning

Bowl, coated metal flat beater, stainless steel wire whip, and coated metal spiral dough hook may be washed in an automatic dishwasher. Or, clean them thoroughly in hot sudsy water and rinse completely before drying. Do not store beaters on shaft.

NOTE: Always be sure to unplug stand mixer before cleaning. Wipe stand mixer with a soft, damp cloth. Do not use household/commercial cleaners. Do not immerse in water. Wipe off beater shaft frequently, removing any residue that may accumulate.

Cleaning the Pouring Shield*

Wash in warm, sudsy water. If you wish, you may place on the top rack of your dishwasher.

*Included with some models.

Troubleshooting

Please read the following before calling your service center.

1. The Stand Mixer may become warm during use. Under heavy loads with extended mixing time periods, you may not be able to comfortably touch the top of the Stand Mixer. This is normal.
2. The Stand Mixer may emit a pungent odor, especially when new. This is common with electric motors.
3. If the flat beater hits the bowl, stop the Stand Mixer. See the “Beater to Bowl Clearance” section.

Keep a copy of the sales receipt showing the date of purchase. Proof of purchase will assure you of in-warranty service.

If your Stand Mixer should malfunction or fail to operate, please check the following:

- Is the Stand Mixer plugged in?
- Is the fuse in the circuit to the Stand Mixer in working order? If you have a circuit breaker box, be sure the circuit is closed.
- Turn the Stand Mixer off for 10-15 seconds, then turn it back on. If the mixer still does not start, allow it to cool for 30 minutes before turning it back on.
- If the problem is not due to one of the above items, see the “Arranging for Service” section.
- Do not return the Stand Mixer to the retailer, as they do not provide service.

Warranty

KitchenAid® Pro-Line Total Replacement Limited Warranty for the 50 United States, the District of Columbia, Puerto Rico, and Canada

This warranty extends to the purchaser and any succeeding owner for KitchenAid Pro-Line products operated in the 50 United States, the District of Columbia, Puerto Rico, and Canada.

Length of Limited Total Replacement Warranty: Five Years from the date of purchase.

KitchenAid Will Pay for Your Choice of:

Hassle-Free Replacement of your Pro-Line product. See the next page for details on how to arrange for replacement, or call the Customer eXperience Center toll-free at **1-800-832-7173**.

OR

The replacement parts and repair labor costs to correct defects in materials and workmanship. Service must be provided by an Authorized KitchenAid Service Center.



KitchenAid Will Not Pay for:

- A.** Repairs when your Pro-Line product is used in other than normal single family home use.
- B.** Damage resulting from accident, alteration, misuse or abuse.
- C.** Any shipping or handling costs to deliver your Pro-Line product to an Authorized Service Center.
- D.** Replacement parts or repair labor costs for Pro-Line products operated outside the 50 United States, District of Columbia, Puerto Rico, and Canada.

DISCLAIMER OF IMPLIED WARRANTIES IMPLIED WARRANTIES, INCLUDING ANY IMPLIED WARRANTY OF MERCHANTABILITY OR IMPLIED WARRANTY OF FITNESS FOR A PARTICULAR PURPOSE, ARE LIMITED TO FIVE YEARS OR THE SHORTEST PERIOD ALLOWED BY LAW. Some states and provinces do not allow limitations on the duration of implied warranties or merchantability or fitness, so this limitation may not apply to you. This warranty gives you specific legal rights, and you also may have other rights that vary from state to state and province to province.

DISCLAIMER OF REPRESENTATIONS OUTSIDE OF WARRANTY KitchenAid makes no representations about the quality, durability or need for service or repair of this appliance other than the representations contained in this Warranty. If you want longer or more comprehensive coverage than the limited warranty that comes with this appliance, you should ask KitchenAid or your retailer about buying a service contract.

LIMITATION OF REMEDIES; EXCLUSION OF INCIDENTAL AND CONSEQUENTIAL DAMAGES YOUR SOLE AND EXCLUSIVE REMEDY UNDER THIS LIMITED WARRANTY SHALL BE PRODUCT REPLACEMENT OR REPAIR AS PROVIDED HEREIN. KITCHENAID SHALL NOT BE RESPONSIBLE FOR INCIDENTAL OR CONSEQUENTIAL DAMAGES. Some states and provinces do not allow the exclusion or limitation of incidental or consequential damages, so these limitations and exclusions may not apply to you. This warranty gives you specific legal rights, and you also may have other rights that vary from state to state and province to province.

Hassle-Free Replacement Warranty – 50 United States, District of Columbia, and Puerto Rico

We're so confident the quality of our products meets the exacting standards of KitchenAid that, if your Pro-Line product should fail within the first five years of ownership, KitchenAid will arrange to deliver an identical or comparable replacement to your door free of charge and arrange to have your original Pro-Line product returned to us. Your replacement unit will also be covered by our five year limited warranty. Please follow these instructions to receive this quality service.

If your Pro-Line product should fail within the first five years of ownership, simply call our toll-free Customer eXperience Center at **1-800-832-7173** Monday through Friday. Please have your original sales receipt available when you call. Proof of purchase will be required to initiate the claim. Give the consultant your complete shipping address. (No P.O. Box numbers, please.)

When you receive your replacement Pro-Line product, use the carton and packing materials to pack up your original Pro-Line product.

Hassle-Free Replacement Warranty – Canada

We're so confident the quality of our products meets the exacting standards of the KitchenAid® brand that, if your Pro-Line product should fail within the first five years of ownership, KitchenAid Canada will replace your Pro-Line product with an identical or comparable replacement. Your replacement unit will also be covered by our five year limited warranty. Please follow these instructions to receive this quality service.

If your Pro-Line product should fail within the first five years of ownership, take the Pro-Line product or ship collect to an

Authorized KitchenAid Service Centre. In the carton include your name and complete shipping address along with a copy of the proof of purchase (register receipt, credit card slip, etc.). Your replacement Pro-Line product will be returned prepaid and insured. If you are unable to obtain satisfactory service in this manner call our toll-free Customer eXperience Centre at **1-800-832-7173**.

Or write to us at:
Customer eXperience Centre
KitchenAid Canada
200 - 6750 Century Ave.
Mississauga, ON L5N 0B7

Arranging for Service after the Warranty Expires, or Ordering Accessories and Replacement Parts

In the United States and Puerto Rico:

For service information, or to order accessories or replacement parts, call toll-free at **1-800-832-7173** or write to: Customer eXperience Center, KitchenAid Small Appliances, P.O. Box 218, St. Joseph, MI 49085-0218

Outside the United States and Puerto Rico:

Consult your local KitchenAid dealer or the store where you purchased your Pro-Line product for information on how to obtain service.

For service information in Canada:

Call toll-free **1-800-832-7173**.

Or write to:
Customer eXperience Centre
KitchenAid Canada
200 - 6750 Century Ave.
Mississauga, ON L5N 0B7

Bienvenue dans le monde de KitchenAid.®

Nous engageons à vous aider à créer de délicieux repas pour votre famille et vos amis, et ce durant toute la vie. Pour contribuer à la longévité et à une bonne performance de votre appareil, conserver ce guide à portée de main. Il vous permettra d'utiliser et d'entretenir votre produit de la meilleure manière qui soit. Votre satisfaction est notre objectif numéro 1. Ne pas oublier d'enregistrer votre produit en ligne sur www.kitchenaid.ca ou par courrier à l'aide de la carte d'enregistrement du produit incluse.



É.-U. et Canada :
1.800.832.7173

KitchenAid.com
KitchenAid.ca

Table des matières

SÉCURITÉ DE MÉLANGEUR SUR SOCLE	
Consignes de Sécurité Importantes.....	26
Spécifications électriques.....	17
PIÈCES ET CARACTÉRISTIQUES	28
ASSEMBLAGE DU MÉLANGEUR LÈVE-BOL	29
DÉGAGEMENT ENTRE LE BATTEUR PLAT ET LE BOL	30
UTILISATION DU MÉLANGEUR SUR SOCLE	
Purée de mélange.....	30
Utilisation de mélangeur.....	30
Utilisation du verseur anti-éclaboussures.....	31
Utilisation des accessoires KitchenAid®.....	31
GUIDE DE RÉGLAGE DE LA VITESSE – MÉLANGEURS	
SUR SOCLE À 10 VITESSES	32
CONSEILS DE PRÉPARATION	
Renseignements généraux.....	33
Blancs d'oeufs.....	34
Crème fouettée.....	34
CONSEILS POUR LA PRÉPARATION DU PAIN	
Renseignements généraux.....	35
Mélanger et pétrir la pâte à levain avec la méthode de mélange rapide.....	36
Former un pain.....	37
ATTACHEMENTS OU ACCESSOIRES	
Renseignements généraux.....	38
Instructions générales.....	39
GUIDE DE ACCESSOIRES	40
ENTRETIEN ET NETTOYAGE	42
DÉPANNAGE	43
GARANTIE	44

Preuve d'achat

Conservez toujours une copie de la facture indiquant la date d'achat de votre batteur sur socle. La preuve d'achat vous assurera un service sous garantie. Avant d'utiliser votre batteur sur socle, veuillez remplir et poster la carte d'enregistrement du produit emballée avec l'appareil, ou visitez notre site Web à www.kitchenaid.ca.

Cette carte nous permet de vous contacter dans le cas fort peu probable d'une notification de sécurité du produit et nous aidera à nous conformer aux provisions de la loi américaine sur la sécurité du produit au consommateur. Cette carte ne vérifie pas votre garantie. Veuillez remplir ce qui suit pour vos dossiers :

Numéro de modèle _____

Numéro de série _____

Date d'achat _____

Nom du magasin et emplacement _____

Votre sécurité et celle des autres est très importante.

Nous donnons de nombreux messages de sécurité importants dans ce manuel et sur votre appareil ménager. Assurez-vous de toujours lire tous les messages de sécurité et de vous y conformer.



Voici le symbole d'alerte de sécurité.

Ce symbole d'alerte de sécurité vous signale les dangers potentiels de décès et de blessures graves à vous et à d'autres.

Tous les messages de sécurité suivront le symbole d'alerte de sécurité et le mot "DANGER" ou "AVERTISSEMENT". Ces mots signifient :

DANGER

Risque possible de décès ou de blessure grave si vous ne suivez pas immédiatement les instructions.

AVERTISSEMENT

Risque possible de décès ou de blessure grave si vous ne suivez pas les instructions.

Tous les messages de sécurité vous diront quel est le danger potentiel et vous disent comment réduire le risque de blessure et ce qui peut se produire en cas de non-respect des instructions.

CONSIGNES DE SÉCURITÉ IMPORTANTES

Lors de l'utilisation d'appareils électriques, il faut toujours observer certaines précautions élémentaires de sécurité, y compris les suivantes :

1. Lire toutes les instructions.
2. Pour éviter tout risque de choc électrique, ne pas immerger le mélangeur sur socle dans de l'eau ou tout autre liquide.
3. Une surveillance étroite s'impose lorsqu'un appareil ménager est utilisé par des enfants ou à leur proximité.
4. Débrancher le mélangeur sur socle lorsqu'il n'est pas utilisé, avant d'installer ou de retirer des accessoires et avant de le nettoyer.
5. Éviter tout contact avec les pièces en mouvement. Tenir les mains, cheveux, vêtements et les spatules ou autres ustensiles à l'écart du batteur, du crochet ou du fouet lors du fonctionnement afin de réduire le risque de blessures corporelles et (ou) d'endommagement du mélangeur sur socle.
6. Ne pas faire fonctionner le mélangeur sur socle si le cordon ou la prise est endommagé(e), ou si le mélangeur ne fonctionne pas correctement, s'il est tombé ou a été endommagé d'une quelconque façon. Contacter le Centre de satisfaction de la clientèle KitchenAid® au 1-800-832-7173.
7. L'utilisation d'accessoires non recommandés ou non vendus par KitchenAid® peut causer un incendie, un choc électrique ou des blessures.

CONSERVER CES INSTRUCTIONS
CE PRODUIT EST RÉSERVÉ À UN USAGE
DOMESTIQUE.

CONSIGNES DE SÉCURITÉ IMPORTANTES

8. Ne pas utiliser le mélangeur sur socle à l'extérieur.
9. Ne pas laisser le cordon pendre du rebord d'une table ou d'un plan de travail.
10. Retirer le batteur plat, le fouet métallique ou le crochet pétrisseur du mélangeur sur socle avant de les laver.


CONSERVER CES INSTRUCTIONS
CE PRODUIT EST RÉSERVÉ À UN USAGE
DOMESTIQUE.

SPÉCIFICATIONS ÉLECTRIQUES

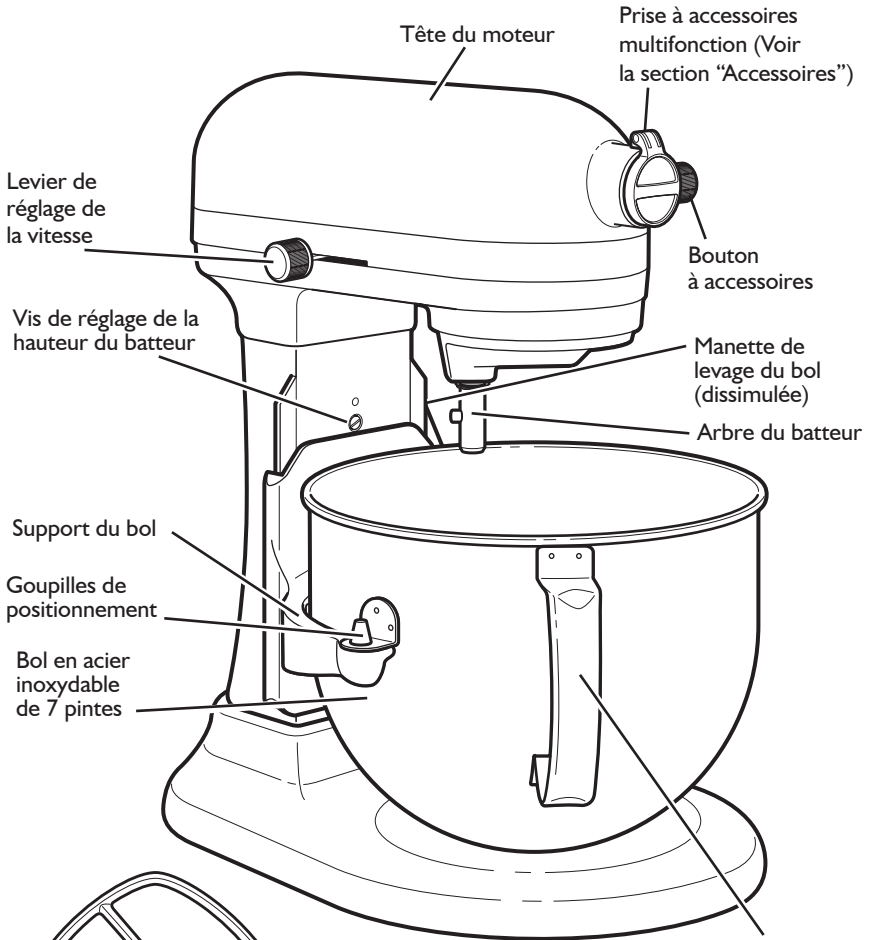
Tension : 120 volts CA uniquement.
Fréquence : 60 Hertz. La puissance nominale du mélangeur sur socle est imprimée sur la plaque signalétique.

Ne pas utiliser de câble de rallonge.
Si le cordon d'alimentation électrique est trop court, faire installer une prise près de l'appareil électroménager par un électricien ou un technicien de service qualifié.

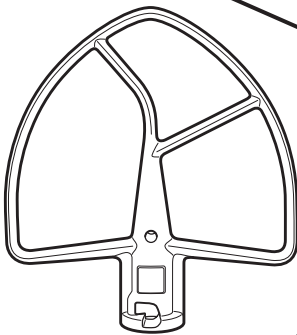
La puissance nominale maximum est basée sur l'accessoire qui utilise le plus d'énergie (charge maximale). D'autres accessoires recommandés peuvent utiliser beaucoup moins d'énergie.

⚠ AVERTISSEMENT

Risque de choc électrique
Brancher sur une prise à 3 alvéoles reliée à la terre.
Ne pas enlever la broche de liaison à la terre.
Ne pas utiliser un adaptateur.
Ne pas utiliser un câble de rallonge.
Le non-respect de ces instructions peut causer un décès, un incendie ou un choc électrique.

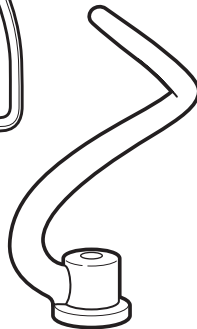
Pièces et caractéristiques



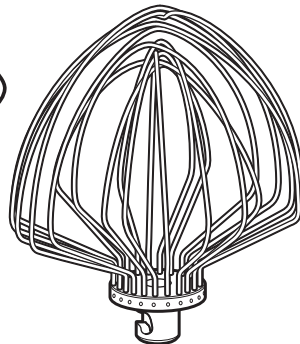
(Le style de la poignée du bol peut varier selon le modèle.)



Batteur plat



Crochet pétrisseur



Fouet elliptique en acier inoxydable à 11 fils métalliques

Assemblage du mélangeur lève-bol

AVERTISSEMENT



Risque de choc électrique

Brancher sur une prise à 3 alvéoles reliée à la terre.

Ne pas enlever la broche de liaison à la terre.

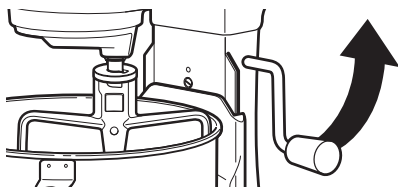
Ne pas utiliser un adaptateur.

Ne pas utiliser un câble de rallonge.

Le non-respect de ces instructions peut causer un décès, un incendie ou un choc électrique.

Pour fixer le bol

1. S'assurer que le levier de réglage de vitesse est placé sur OFF (arrêt) et que le mélangeur sur socle est débranché.
2. Abaisser la manette de levage du bol.
3. Placer les supports du bol sur les goupilles de positionnement.
4. Appuyer sur l'arrière du bol jusqu'à ce que sa goupille s'emboîte dans le loquet à ressort.
5. Soulever le bol avant de procéder au mélange.
6. Brancher l'appareil sur une prise à 3 alvéoles reliée à la terre



Pour élever le bol

1. Faire pivoter la manette pour la placer en position verticale.
2. Le bol doit toujours être verrouillé en position élevée lors du mélange.

Pour abaisser le bol

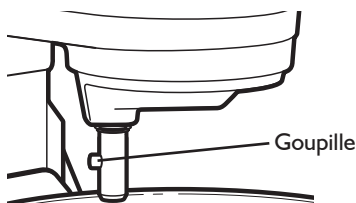
1. Faire pivoter la manette vers l'arrière, puis vers le bas.

Pour retirer le bol

1. S'assurer que le levier de réglage de vitesse est placé sur OFF (arrêt) et que le mélangeur sur socle est débranché.
2. Abaisser la manette de levage du bol.
3. Retirer le batteur plat, le fouet métallique ou le crochet pétrisseur.
4. Saisir le bol par sa poignée et le soulever tout droit pour le dégager des goupilles de positionnement.

Pour fixer le batteur plat, le fouet métallique ou le crochet pétrisseur PowerKnead™

1. Faire glisser le levier de réglage de vitesse sur OFF (arrêt) et débrancher l'appareil.
2. Insérer le batteur plat sur l'arbre du batteur.



3. Tourner le batteur vers la droite pour l'accrocher sur la goupille de l'arbre.
4. Brancher l'appareil sur une prise à 3 alvéoles reliée à la terre.

Pour retirer le batteur plat, le fouet métallique ou le crochet pétrisseur PowerKnead™

1. Faire glisser le levier de réglage de vitesse sur OFF (arrêt) et débrancher l'appareil.
2. Soulever le batteur et le tourner vers la gauche.
3. Retirer le batteur de l'arbre du batteur.

Levier de réglage de vitesse de mélangeur sur socle pour usage domestique.

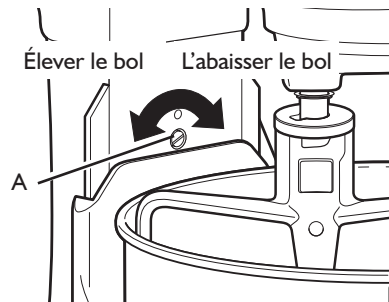


Brancher l'appareil sur une prise à 3 alvéoles reliée à la terre. Le levier de réglage de vitesse doit toujours se trouver à la vitesse la plus faible pour commencer. La vitesse peut ensuite être graduellement augmentée afin d'éviter que les ingrédients n'éclaboussent en dehors du bol. Voir la section "Guide de réglage de la vitesse".

Dégagement entre le batteur plat et le bol

Votre mélangeur sur socle a subi un ajustement en usine afin qu'il y ait un léger dégagement entre le batteur plat et le fond du bol. Le dégagement peut être facilement rectifié si, pour une raison quelconque, le batteur plat frappe le fond du bol ou s'il est trop loin du bol.

1. Débrancher le mélangeur sur socle.
2. Abaisser la manette de levage du bol.
3. Fixer le batteur plat.
4. Pour obtenir un léger dégagement entre le batteur plat et le fond du bol lorsque celui-ci est soulevé, tourner la vis (A) dans le sens antihoraire pour élever le bol et dans le sens horaire pour l'abaisser. Une légère rotation suffit : la vis ne tournera pas plus d'un quart de tour (90 degrés) dans une direction ou dans l'autre. (La portée totale de l'ajustement est d'un demi-tour, soit 180 degrés).
5. Soulever la manette de levage du bol pour vérifier le dégagement.
6. Répéter les étapes 4 et 5 au besoin.



REMARQUE : Lorsqu'il est correctement ajusté, le batteur plat ne frappe ni le fond, ni les parois du bol. Si le batteur plat ou le fouet métallique est trop proche du fond du bol et qu'il le touche, le revêtement du batteur ou des fils métalliques pourrait être endommagé.

Utilisation du mélangeur sur socle

Durée de mélange

Votre mélangeur sur socle KitchenAid® mélangera plus vite et plus efficacement que la plupart des mélangeurs sur socle électriques. La durée du mélange doit donc être ajustée pour la plupart

des recettes afin d'éviter de battre la préparation trop longtemps. Pour les gâteaux, par exemple, la durée de mélange peut être deux fois moins longue qu'avec des mélangeurs sur socle traditionnels.

Utilisation du mélangeur

AVERTISSEMENT

Risque de blessure

Débrancher le batteur avant de toucher aux fouets.

Le non-respect de cette instruction peut entraîner des fractures d'os, des coupures ou des bleus.

REMARQUE : Ne pas racler les parois du bol pendant le fonctionnement du mélangeur sur socle.

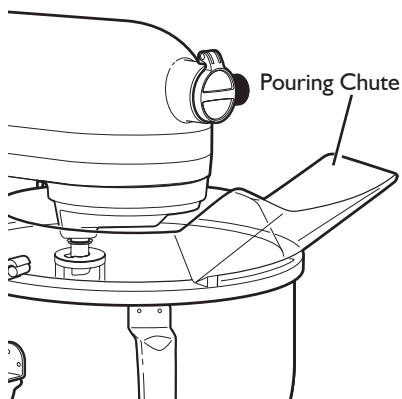
Le bol et le batteur plat sont conçus pour permettre un mélange plus efficace sans avoir à racler fréquemment les parois du bol. Il n'est généralement pas nécessaire de racler les parois du bol plus d'une à deux fois pendant le mélange. Éteindre le mélangeur sur socle avant d'en racler les parois. Il est possible que le mélangeur sur socle chauffe durant son utilisation. Lorsque l'on mélange des préparations à consistance épaisse pendant une période prolongée, il se peut que le dessus du mélangeur sur socle soit chaud au toucher. Ceci est normal.

Utilisation du mélangeur sur socle

Utilisation du verseur anti-éclaboussures*

Fixation du verseur anti-éclaboussures

1. S'assurer que le levier de réglage de vitesse est en position OFF/0.
2. Débrancher le mélangeur sur socle.
3. Insérer l'accessoire voulu et relever le bol.
4. Glisser la collerette du verseur anti-éclaboussures autour de l'arbre du mélangeur, en la centrant sur le rebord du bol.



Utilisation du verseur anti-éclaboussures*

Verser les ingrédients dans le bol de mélange par la goulotte du verseur anti-éclaboussures.

IMPORTANT : S'assurer que les repères situés à la base de la goulotte reposent sur le rebord du bol pour éviter que les ingrédients tombent du bol lorsqu'on les y verse.

*Inclused avec quelques modèles

Retrait du verseur anti-éclaboussures

1. S'assurer que le levier de réglage de vitesse est en position OFF/0.
2. Débrancher le batteur sur socle.
3. Dégager la collerette du verseur anti-éclaboussures pour la faire glisser hors du bol.
4. Abaisser le support du bol en tournant la manette de levage du bol vers le bas.
5. Retirer l'accessoire et le bol.

Utilisation des accessoires KitchenAid®

Batteur plat pour les préparations de consistance normale à épaisse :

gâteaux	biscuits
glaçages crémeux	pains éclairs
confiseries	pains de viande
biscuits	potatoes de terre en purée
pâtes à tarte	pâtisserie

Fouet métallique pour les préparations dans lesquelles de l'air doit être incorporé :

oeufs	gâteaux éponge
blancs d'oeufs	gâteaux des anges
crème épaisse	mayonnaise
glaçages cuits	certaines confiseries

Crochet pétrisseur PowerKnead™ pour mélanger et pétrir des pâtes au levain :

pain	brioches
petits pains	petits pains sucrés
pâte à pizza	

Guide de réglage de la vitesse – Mélangeurs sur socle à 10 vitesses

Toutes les vitesses disposent de la fonction Soft Start® qui déclenche automatiquement le démarrage progressif à basse vitesse du mélangeur avant de passer à la vitesse sélectionnée pour un résultat optimal, afin de minimiser les éclaboussures et les “nuages de farine” au début du mélange.

Nombre de vitesses

Vitesse de mélange

2 MÉLANGER LENTEMENT

Pour remuer lentement, lier, écraser les ingrédients et commencer toutes les procédures de mélange. Utiliser cette vitesse pour incorporer la farine et les ingrédients secs à une pâte et pour incorporer des liquides à des ingrédients secs. Ne pas utiliser la vitesse REMUER pour mélanger ou pétrir les pâtes à base de levure.

4 MÉLANGER, BATTRE

Pour mélanger lentement, écraser et remuer plus rapidement. Utiliser cette vitesse pour mélanger et pétrir les pâtes à base de levure, les pâtes épaisses et les confiseries; pour commencer à réduire en les pommes de terre ou autres légumes; pour sabler le shortening avec la farine; pour mélanger les pâtes légères ou celles susceptibles de produire des éclaboussures.

6 BATTRE, FOUETTER

Pour mélanger les pâtes semi-épaisses comme celles à biscuits. Utiliser cette vitesse pour travailler le sucre et le shortening ainsi que pour incorporer le sucre aux blancs d'oeufs pour les meringues. Vitesse moyenne utilisée pour les préparations à gâteaux du commerce. À utiliser avec : le hachoir, la trancheuse/râpeuse rotative, la machine à pâtes et l'égouttoir à fruits/légumes.

8 BATTRE RAPIDEMENT, FOUETTER

Pour battre à vitesse moyenne à élevée (pour réduire en crème) et pour fouetter. Utiliser cette vitesse pour finir de mélanger les pâtes à gâteaux, à beignets et autres types de pâtes. Vitesse élevée utilisée pour les préparations à gâteaux du commerce. À utiliser avec le presse-agrumes.

10 FOUETTER RAPIDEMENT

Pour fouetter la crème, les blancs d'oeufs et les glaçages cuits.

Utiliser cette vitesse pour fouetter de petites quantités de crème ou de blancs d'oeufs et pour le fouettage final de la purée de pommes de terre. Utiliser avec la machine à pâtes et le moulin principal inclus comme accessoires. **REMARQUE** : La vitesse rapide ne sera pas maintenue avec des préparations à consistance épaisse telles que celles pour lesquelles on utilise la machine à pâtes ou le moulin principal.

REMARQUE : Utiliser la vitesse 2 pour mélanger ou pétrir les pâtes à base de levain. L'utilisation de toute autre vitesse entraîne un potentiel élevé de défaillance de l'appareil. Le crochet pétrisseur PowerKnead™ pétrit efficacement la plupart des pâtes au levain en 4 minutes maximum.

Renseignements généraux

Adapter vos recettes au mélangeur

Les instructions sur les recettes figurant dans ce livre peuvent vous aider à adapter la préparation de vos recettes préférées à l'utilisation du mélangeur sur socle KitchenAid®.

Par exemple, la méthode de "mélange rapide" (selon laquelle on verse tous les ingrédients dans le bol en une seule fois) est idéale pour préparer des gâteaux simples tels que les gâteaux jaune et blanc indiqués dans ce livre. Cette méthode consiste à incorporer en une seule étape les ingrédients secs à une partie ou à la totalité des ingrédients liquides.

Les gâteaux plus élaborés, tel qu'un gâteau à la banane avec glaçage au caramel et aux noix, doivent être préparés selon la méthode traditionnelle. Cette méthode consiste à travailler en crème homogène le sucre et le shortening, le beurre ou la margarine, avant d'ajouter les autres ingrédients.

Pour tous les gâteaux, la durée du mélange peut varier car votre mélangeur sur socle KitchenAid® fonctionne plus rapidement que les autres mélangeurs. En général, la préparation d'un gâteau avec le mélangeur sur socle KitchenAid® prendra la moitié du temps requis dans la plupart des recettes.

Pour déterminer la durée idéale de mélange, observer la pâte et mélanger jusqu'à l'obtention de la consistance désirée décrite dans votre recette, par exemple "lisse et crémeuse".

Pour sélectionner les meilleures vitesses de mélange, consulter la section "Guide de réglage de la vitesse".

Ajout d'ingrédients

Toujours ajouter les ingrédients aussi près que possible des parois du bol et non pas directement dans la zone du batteur, du crochet ou du fouet en mouvement. Le verseur anti-éclaboussures peut être utilisé pour simplifier l'ajout d'ingrédients.

REMARQUE : Si les ingrédients qui se trouvent dans le fond du bol ne sont pas parfaitement mélangés, cela signifie que le batteur n'est pas suffisamment près du fond du bol. Consulter la section "Dégagement entre le batteur plat et le bol".

Préparation à gâteaux du commerce

Pour utiliser des préparations à gâteau du commerce, utiliser la vitesse 2 comme vitesse basse, la vitesse 4 comme vitesse moyenne et la vitesse 6 comme vitesse élevée. Pour obtenir de meilleurs résultats, mélanger la pâte selon la durée indiquée sur l'emballage.

Ajout de noix, de raisins secs ou de fruits confits

Suivre les instructions relatives à ces ingrédients pour chaque recette. En général, les matières solides doivent être incorporées au cours des dernières secondes de mélange à vitesse REMUER. La pâte doit être suffisamment épaisse pour éviter que les fruits ou les noix ne tombent au fond du moule durant la cuisson. Les fruits collants doivent être saupoudrés de farine pour une meilleure répartition dans la pâte.

Mélanges liquides

Les mélanges comportant de grandes quantités d'ingrédients liquides doivent être mélangés à basse vitesse pour éviter les éclaboussures. N'augmenter la vitesse qu'une fois que le mélange a épaissi.

Conseils de préparation

Blancs d'oeufs

Placer les blancs d'oeufs à température ambiante dans le bol propre et sec. Installer le bol et le fouet métallique. Pour éviter les éclaboussures, augmenter graduellement la vitesse jusqu'à celle indiquée et fouetter jusqu'à la consistance voulue. Consulter le tableau ci-dessous.

QUANTITÉ	VITESSE
1 blanc d'oeuf.....	GRADUELLEMENT jusqu'à 10
2-4 blancs d'oeufs....	GRADUELLEMENT jusqu'à 8
6 blancs d'oeufs ou plus.....	GRADUELLEMENT jusqu'à 8

Étapes du fouettage

Avec votre mélangeur sur socle KitchenAid®, les blancs d'oeufs montent rapidement en neige. Attention donc de ne pas trop fouetter. La liste suivante vous indique les étapes de fouettage :

Mousseux

Grosses bulles d'air inégales.

Commence à garder sa forme

Les bulles d'air sont fines et compactes; le produit est blanc.

Pics mous

Les bouts des pics tombent lorsqu'on retire le fouet métallique.

Presque ferme

Les pics se forment lorsqu'on retire le fouet métallique, mais les blancs sont en fait mous.

Pics fermes, mais pas secs

Des pics fermes et pointus se forment lorsqu'on retire le fouet métallique. Les blancs ont une couleur uniforme et brillent.

Pics fermes et secs

Des pics fermes et pointus se forment lorsqu'on retire le fouet métallique. Les blancs sont tachetés et d'apparence terne.

Crème fouettée

Verser la crème fouettée froide dans un bol refroidi. Installer le bol et le fouet métallique. Pour éviter les éclaboussures, augmenter graduellement la vitesse jusqu'à celle indiquée et fouetter jusqu'à la consistance voulue. Consulter le tableau ci-dessous :

QUANTITÉ	VITESSE
1/4 tasse (50 mL).....	GRADUELLEMENT jusqu'à 10
1/2 tasse (125 mL)...	GRADUELLEMENT jusqu'à 10
1 tasse (250 mL).....	GRADUELLEMENT jusqu'à 8
1 pinte (500 mL)	GRADUELLEMENT jusqu'à 8

Étapes du fouettage

Surveillez attentivement la crème durant le fouettage. Parce que votre mélangeur sur socle KitchenAid® fouette si rapidement, il n'y a que quelques secondes entre les étapes du fouettage. Rechercher ces caractéristiques :

Commence à épaissir

La crème est épaisse et ressemble à une crème anglaise.

Garde sa forme

La crème forme des pics mous lorsqu'on retire le fouet métallique. Peut être incorporée à d'autres ingrédients pour la préparation de desserts et de sauces.

Ferme

La crème forme des pics fermes et pointus lorsqu'on retire le fouet métallique. Utiliser pour garnir les gâteaux ou les desserts ou pour remplir les choux à la crème.

Renseignements généraux

La confection du pain avec le mélangeur est assez différente de la confection du pain à la main. Il vous faudra donc un certain temps d'adaptation avant de vous familiariser complètement avec la nouvelle méthode. Nous vous offrons les conseils suivants pour vous aider à vous familiariser avec la préparation du pain façon KitchenAid®.

- Commencer avec une recette facile, telle que celle du "Pain blanc de base", jusqu'à ce que vous soyez habitué(e) à utiliser le crochet pétrisseur PowerKnead™.
- Toujours utiliser le crochet pétrisseur PowerKnead™ pour mélanger et pétrir des pâtes au levain.
- Utiliser la vitesse 2 pour mélanger ou pétrir les pâtes au levain. L'utilisation de toute autre vitesse entraîne un potentiel élevé de défaillance de l'appareil.
- Ne pas utiliser de recettes nécessitant plus de 16 tasses de farine tout-usage ou plus de 10 tasses de farine de blé complet lors de l'élaboration de la pâte avec un mélangeur à capacité de 7 pintes.
- Utiliser un thermomètre à confiserie ou tout autre thermomètre de cuisine pour vérifier que les liquides ont bien atteint la température spécifiée dans la recette. À température plus élevée, un liquide peut détruire la levure – à température inférieure, il retarde au contraire son développement.
- Amener tous les ingrédients à température ambiante afin que la pâte puisse lever correctement. Si la levure doit être dissoute dans le bol, toujours chauffer le bol en le rinçant à l'eau tiède afin d'éviter que les liquides ne refroidissent.
- Laisser le pain lever dans un endroit tiède, à une température comprise entre 80 °F et 85 °F, à l'abri des courants d'air, sauf indication contraire dans la recette.
- Voici quelques méthodes alternatives pour faire lever la pâte : (1) Le bol contenant la pâte peut être placé sur une grille, elle-même déposée sur une casserole d'eau chaude. (2) Le bol peut être placé sur la grille supérieure d'un four non chauffé; placer une casserole d'eau chaude sur la grille inférieure. (3) Allumer le four à 400 °F pendant 1 minute, puis l'éteindre; placer le bol sur la grille centrale du four et fermer la porte.
Couvrir le bol de papier sulfurisé si désiré. Toujours recouvrir d'un torchon pour conserver la chaleur du bol et protéger la pâte des courants d'air.
- La durée de la levée de la pâte peut varier d'une recette à l'autre en fonction de la température et du taux d'humidité dans la pièce. La pâte a doublé de volume quand la marque des doigts pressés légèrement et rapidement dans la pâte y reste imprimée.
- La plupart des recettes de pain donnent une fourchette quant à la quantité de farine à utiliser. Lorsque la pâte cesse d'adhérer aux parois du bol, cela signifie que la quantité de farine utilisée est suffisante. Si la pâte est collante ou que le taux d'humidité est élevé, rajouter de la farine en petite quantité – environ une moitié de tasse à la fois mais ne pas dépasser la quantité de farine recommandée. Pétrir la pâte après chaque ajout de farine, jusqu'à ce que celle-ci soit complètement intégrée à la pâte. Si l'on ajoute trop de farine, le pain sera trop sec.
- Une fois la préparation terminée, le pain et les petits pains au levain doivent être d'un brun doré profond. Autres façons de tester le niveau de cuisson du pain : le pain se décolle des parois du moule, et il produit un son creux lorsqu'on tapote sur sa surface. Immédiatement après la cuisson, retourner le pain et les petits pains sur la grille afin d'éviter qu'ils ne ramollissent.

Conseils pour la préparation du pain

Mélanger et pétrir la pâte à levain avec la méthode de mélange rapide

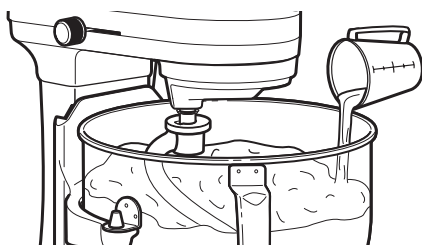
Le "mélange rapide" décrit une méthode de fabrication du pain qui utilise une levure sèche à mélanger aux autres ingrédients secs avant d'ajouter le liquide. Par opposition, la méthode traditionnelle consiste à faire dissoudre la levure dans l'eau tiède.

1. Placer tous les ingrédients secs y compris la levure dans le bol, sauf les 1 à 2 dernières tasses de farine.
2. Installer le bol et le crochet pétrisseur PowerKnead™. Relever le bol du mélangeur. Mettre à la vitesse 2 et mélanger pendant environ 15 secondes ou jusqu'à ce que les ingrédients soient combinés.
3. Continuer à la vitesse 2 et ajouter graduellement les ingrédients liquides au mélange de farine, puis mélanger pendant 1 à 2 minutes de plus. Voir l'illustration A.

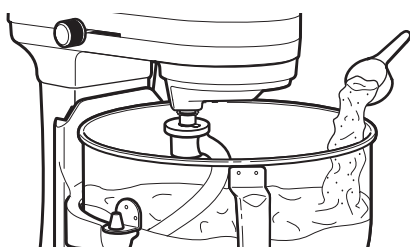
REMARQUE : Si les ingrédients liquides sont ajoutés trop rapidement, ils s'accumuleront autour du crochet pétrisseur PowerKnead™ et ralentiront le processus de mélange.

4. Continuer à la vitesse 2 en ajoutant délicatement le reste de la farine, 1/2 tasse à la fois. Voir l'illustration B. Mélanger jusqu'à ce que la pâte commence à se décoller des côtés du bol, soit environ 2 minutes.
5. Pétrir à la vitesse 2 pendant 2 autres minutes de plus ou jusqu'à ce que la pâte soit lisse et élastique. Voir l'illustration C.
6. Abaisser le bol sur le mélangeur puis retirer la pâte du bol et le crochet pétrisseur PowerKnead™. Suivre les directives de la recette pour faire lever la pâte, la former et la faire cuire.

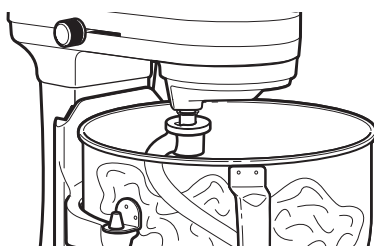
Lors de l'utilisation de la méthode traditionnelle pour préparer une recette préférée, faire dissoudre la levure dans l'eau tiède dans un bol réchauffé. Ajouter les autres ingrédients secs et liquides, sauf les dernières 1 à 2 tasses de farine. Mettre le batteur à la vitesse 2 et mélanger pendant environ 1 minute ou jusqu'à ce que les ingrédients soient bien mélangés. Passer aux étapes 4 à 6.



L'ILLUSTRATION A



L'ILLUSTRATION B



L'ILLUSTRATION C

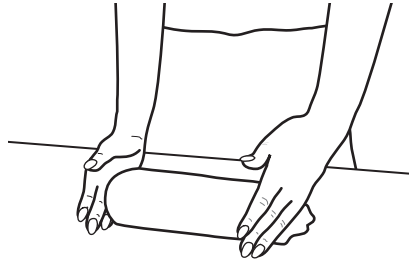
Les deux méthodes se valent pour la préparation du pain. Cependant, la méthode de "mélange rapide" pourrait être un peu plus rapide et facile pour ceux qui commencent à faire du pain. Elle est un peu moins sensible aux températures car la levure est mélangée aux ingrédients secs plutôt qu'au liquide chaud.

Conseils pour la preparation du pain

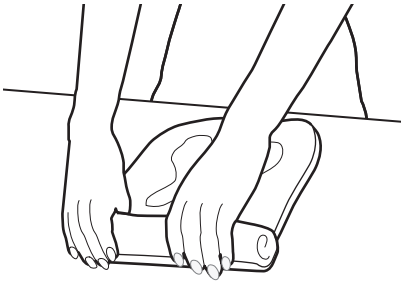
Former un pain



1. Diviser la pâte en deux. Sur une surface légèrement farinée, rouler chaque moitié de pâte en forme de rectangle d'environ 23 x 36 cm (9 x 14"). Un rouleau à pâtisserie lissera la pâte et en retirera les bulles de gaz.



3. Pincer les extrémités et les rabattre en-dessous. Placer, couture en-dessous, dans un moule à pain. Suivre les directives de la recette pour faire lever et faire cuire.



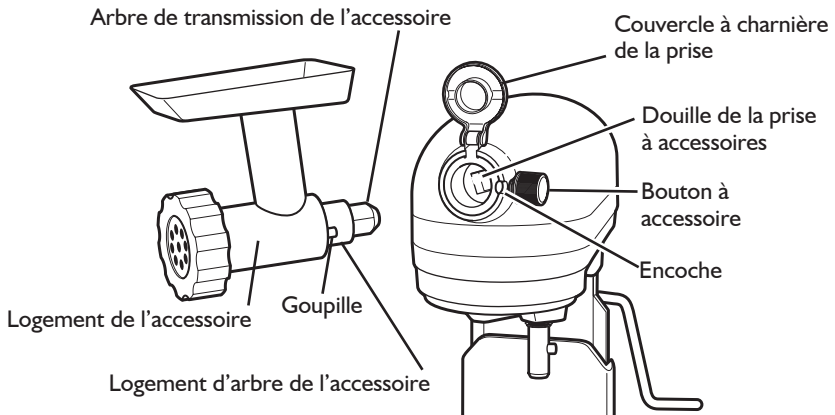
2. Commencer à une extrémité courte et rouler bien serré. Pincer la pâte pour sceller la couture.

Attachements ou accessoires

Renseignements généraux

Les accessoires KitchenAid® sont conçus pour une grande durabilité. L'arbre de transmission accessoires et la douille de la prise à accessoires sont de forme carrée afin d'éviter tout glissement durant la transmission de puissance à l'accessoire. La prise et le logement de l'arbre sont biseautés pour que les deux éléments soient bien fixés l'un contre l'autre, même après une utilisation et une usure prolongées. Les accessoires KitchenAid® ne nécessitent pas d'alimentation électrique supplémentaire pour fonctionner; le moteur est intégré.

Voir le Guide d'utilisation et d'entretien fourni avec les accessoires du mélangeur sur socle pour les réglages de vitesse et la durée de fonctionnement.



Instructions générales


Pour fixer

1. Éteindre le mélangeur et le débrancher.
2. Desserrer le bouton à accessoire en le tournant dans le sens antihoraire.
3. Soulever le couvercle à charnière de la prise.
4. Insérer le logement d'arbre de l'accessoire dans la prise à accessoires, en s'assurant que l'arbre de transmission s'adapte à la douille à accessoires de forme carrée. Il faudra peut-être faire pivoter l'accessoire en l'insérant. Lorsque l'accessoire est en position correcte, la goupille de l'accessoire s'adapte à l'encoche du pourtour de la prise.
5. Serrer le bouton à accessoires jusqu'à ce que l'accessoire soit parfaitement fixé au mélangeur sur socle.

Pour retirer

1. Éteindre le mélangeur et le débrancher.
2. Desserrer le bouton à accessoire en le tournant dans le sens antihoraire. Faire pivoter l'accessoire légèrement d'avant en arrière avant de le retirer.
3. Réinstaller le couvercle de la prise à accessoires. Serrer le bouton à accessoire en le tournant dans le sens horaire.

⚠ AVERTISSEMENT



Risque de choc électrique

Brancher sur une prise à 3 alvéoles reliée à la terre.

Ne pas enlever la broche de liaison à la terre.

Ne pas utiliser un adaptateur.

Ne pas utiliser un câble de rallonge.

Le non-respect de ces instructions peut causer un décès, un incendie ou un choc électrique.

6. Brancher l'appareil sur une prise à 3 alvéoles reliée à la terre.

Trousse d'accessoires multifonctionnels



Modèle FPPA

Trois accessoires populaires KitchenAid® ont été emballés dans 1 carton, soit : Un rotor de trancheur/déchiporteur (RVSA), un hachoir (FGA) et des accessoires de tamis pour fruits/légumes (FVSP).

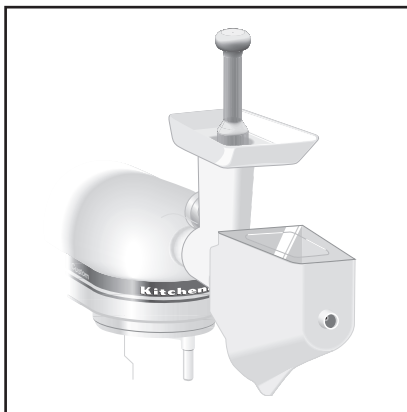
Hachoir



Modèle FGA

Pour hacher viandes, fruits fermes et légumes et broyer le pain rassis.

Tamis pour fruits/légumes



Modèle FVSFGA

Permet la préparation facile et rapide de confitures, purées, sauces et aliments pour bébés. Le tamis fait partie du hachoir.

Plateau pour aliments



Modèle FT

Accueille de grandes quantités d'aliments pour extraire facilement et rapidement les jus, effectuer des purées et hacher les aliments. Utiliser cet accessoire avec le FGA.

Composer le 1-800-832-7173 pour obtenir plus de renseignements

Accessoires d'entonnage de saucisses



Modèle SSA

Des tubes d'entonnage de 3/8" et 5/8" servent à préparer les saucisses Bratwurst, kolbassa, italiennes et polonaises et les chapelets de saucisses pour le petit déjeuner. Utiliser cet accessoire avec le FGA.

Rotor de trancheur / déchiqueteur



Modèle RVSA

Comprend 4 cônes de trancheur : dont deux pour tranches minces et épaisses, et deux pour déchiqueter finement et grossièrement.

Moulin à grains



Modèle KGMA

Pour moulin très finement ou très grossièrement des grains à faible taux d'humidité.

Ensemble de rouleaux pour pâtes alimentaires



Modèle KPRA

Permet de préparer les nouilles pour lasagnes, les fettucini et de fins linguini. L'ensemble de 3 morceaux comprend le rouleau, les coupleurs pour fettucini et pour linguini.

Presse-agrumes



Modèle JE

Pour extraire les jus d'agrumes facilement et parfaitement, tout en tamisant la pulpe.

Verseur anti-éclaboussures



Modèle KN2PS

(S'adapte à tous les modèles à manette de levage du bol de capacité de 7 pintes). Cet accessoire minimise les éclaboussures lors de l'ajout d'ingrédients.

Composer le 1-800-832-7173 pour obtenir plus de renseignements

Entretien et nettoyage

Le bol, le batteur métallique plat lisse, le fouet métallique en acier inoxydable et le crochet pétrisseur lisse en spirale sont lavables au lave-vaisselle. On peut aussi les laver soigneusement à l'eau chaude savonneuse et les rincer complètement avant de les sécher. Ne pas entreposer les batteurs en les laissant sur l'arbre.

REMARQUE : Veiller à toujours débrancher le batteur sur socle avant le nettoyage. Essuyer le batteur sur socle avec un linge doux et humide. Ne pas utiliser de nettoyants à usage domestique ou commercial. Ne pas immerger dans l'eau. Essuyer l'arbre du batteur fréquemment pour éliminer tous les résidus qui pourraient s'y accumuler.

Nettoyage du verseur anti-éclaboussures*

Laver à l'eau tiède savonneuse. Si désiré, le placer dans le panier supérieur de votre lave-vaisselle.

*Inclused avec quelques modèles.

Veillez lire ce qui suit avant d'appeler le centre de dépannage.

1. Il est possible que le mélangeur sur socle chauffe durant son utilisation. Lorsque l'on mélange des préparations à consistance épaisse pendant une période prolongée, il se peut que le dessus du mélangeur soit chaud au toucher. Ceci est normal.
2. Il est possible que le mélangeur sur socle produise une odeur âcre, surtout lorsqu'il est neuf. Ce phénomène est fréquent avec les moteurs électriques.
3. Si le batteur plat frappe le bol, éteindre le mélangeur sur socle. Voir "Dégagement entre le batteur plat et le bol" .

Conserver une copie du reçu de vente indiquant la date d'achat de l'appareil. La preuve d'achat vous garantit le bénéfice du service après-vente.

Si le mélangeur sur socle fonctionne mal ou pas du tout, vérifier les points suivants :

- Le mélangeur sur socle est-il branché?
- Le fusible du circuit alimentant le mélangeur sur socle est-il en bon état? Si l'on possède un disjoncteur, s'assurer que le circuit est fermé.
- Éteindre le mélangeur sur socle pendant 10 à 15 secondes, puis le rallumer. Si le mélangeur ne se remet pas en route, le laisser refroidir pendant 30 minutes avant de le refaire fonctionner.
- Si le problème n'est pas attribuable à l'une des raisons indiquées ci-dessus, voir la section "Obtenir un service de dépannage".
- Ne pas retourner le mélangeur sur socle au détaillant, car celui-ci n'assure aucun service après-vente.

Garantie limitée de remplacement intégral des produits KitchenAid® Pro-Line pour les 50 États des États-Unis, le district fédéral de Columbia, Porto Rico et le Canada

La présente garantie couvre l'acheteur et les propriétaires suivants des produits KitchenAid Pro-Line lorsqu'ils sont utilisés dans les 50 États des États-Unis, le district fédéral de Columbia, Porto Rico et au Canada.

Durée de la garantie limitée de remplacement intégral : Cinq ans à compter de la date d'achat.

KitchenAid prendra en charge les éléments suivants à votre choix :



Le remplacement satisfaction totale du produit Pro-Line. Voir la page suivante pour plus de détails concernant la procédure à suivre pour un dépannage, ou appeler le numéro sans frais **1-800-832-7173** du Customer eXperience Centre.
OU
Les frais de pièces de rechange et de main-d'œuvre pour corriger les vices de matériaux et de fabrication. Le service doit être fourni par un centre de réparation agréé KitchenAid.

KitchenAid ne paiera pas pour :

- A.** Les réparations lorsque le produit Pro-Line est utilisé à des fins autres que l'usage domestique unifamilial normal.
- B.** Les dommages causés par : accident, altération, mésusage ou abus.
- C.** Tout frais d'expédition ou de manutention pour livrer le produit Pro-Line à un centre de réparation agréé.
- D.** Les frais des pièces de rechange ou de main d'œuvre pour les produits Pro-Line lorsqu'ils sont utilisés à l'extérieur des 50 États des États-Unis, du district fédéral de Columbia, de Porto Rico et du Canada.

CLAUSE D'EXONÉRATION DE RESPONSABILITÉ AU TITRE DES GARANTIES

IMPLICITES LES GARANTIES IMPLICITES, Y COMPRIS LES GARANTIES IMPLICITES DE QUALITÉ MARCHANDE OU D'APTITUDE À UN USAGE PARTICULIER, SONT LIMITÉES À CINQ ANS OU À LA PLUS COURTE PÉRIODE AUTORISÉE PAR LA LOI. Certains États et provinces ne permettent pas de limitation sur la durée des garanties implicites ou de qualité marchande ou d'aptitude à un usage particulier, de sorte que la limitation ci-dessus peut ne pas être applicable dans votre cas. Cette garantie vous confère des droits juridiques spécifiques et vous pouvez également jouir d'autres droits qui peuvent varier d'une juridiction à l'autre.

EXONÉRATION DE RESPONSABILITÉ DANS LES DOMAINES NON COUVERTS PAR LA GARANTIE

KitchenAid décline toute responsabilité au titre de la qualité, de la durabilité ou en cas de dépannage ou de réparation nécessaire sur cet appareil ménager autre que les responsabilités énoncées dans la présente garantie. Si vous souhaitez une garantie plus étendue ou plus complète que la garantie limitée fournie avec cet appareil ménager, adressez-vous à KitchenAid ou à votre détaillant pour obtenir les modalités d'achat d'un contrat de services.

LIMITATION DES RECOURS; EXCLUSION DES DOMMAGES FORTUITS OU INDIRECTS

LE SEUL ET EXCLUSIF RECOURS DU CLIENT DANS LE CADRE DE LA PRÉSENTE GARANTIE LIMITÉE CONSISTE EN LE REMPLACEMENT OU LA RÉPARATION DU PRODUIT TEL QUE PRÉVU PAR LA PRÉSENTE. KITCHENAID N'ASSUME AUCUNE RESPONSABILITÉ POUR LES DOMMAGES FORTUITS OU INDIRECTS. Certains États et certaines provinces ne permettent pas l'exclusion ou la limitation des dommages fortuits ou indirects de sorte que ces limitations et exclusions peuvent ne pas être applicables dans votre cas. Cette garantie vous confère des droits juridiques spécifiques et vous pouvez également jouir d'autres droits qui peuvent varier d'une juridiction à l'autre.

Garantie de remplacement sans difficulté – pour les 50 États des États-Unis, le district fédéral de Columbia et Porto Rico

Nous sommes tellement certains que la qualité de nos produits satisfait aux normes exigeantes de KitchenAid que si le produit Pro-Line cesse de fonctionner au cours des cinq premières années suivant son acquisition, KitchenAid livrera gratuitement à votre porte un produit Pro-Line de remplacement identique ou comparable et prendra les dispositions nécessaires pour que le produit Pro-Line d'origine nous soit retourné. L'appareil de remplacement sera également couvert par notre garantie limitée de cinq ans. Veuillez suivre ces instructions pour bénéficier de ce service de qualité.

Si votre produit Pro-Line cesse de fonctionner durant les cinq premières années suivant son acquisition, il vous suffit d'appeler le Centre d'eXpérience clientèle au **1-800-832-7173** du lundi au vendredi. Veuillez avoir votre reçu de vente à portée de main au moment de votre appel. Une preuve d'achat est indispensable pour que votre réclamation puisse être traitée. Fournissez votre adresse de livraison complète au représentant. (Pas de boîte postale)

À réception du produit Pro-Line de rechange, utiliser le carton et les matériaux d'emballage pour emballer le produit Pro-Line d'origine.

Garantie de remplacement sans difficulté - Canada

Nous sommes tellement certains que la qualité de nos produits satisfait aux normes exigeantes de la marque KitchenAid® que si le produit Pro-Line cesse de fonctionner au cours des cinq premières années suivant son acquisition, KitchenAid Canada remplacera le produit Pro-Line par un appareil de remplacement identique ou comparable. L'appareil de remplacement sera également couvert par notre garantie limitée de cinq ans. Veuillez suivre ces instructions pour bénéficier de ce service de qualité.

Si le produit Pro-Line cesse de fonctionner durant les cinq premières années suivant son acquisition, apporter ou réexpédier le produit Pro-Line port

dû vers un Centre de réparation KitchenAid agréé. Veuillez indiquer vos nom et adresse d'expédition complets dans le carton et joignez une copie de votre preuve d'achat (reçu de caisse, facture de règlement par de carte de crédit etc.). Votre produit Pro-Line de rechange sera retourné port payé et assuré. Si le service que vous obtenez de cette manière n'est pas satisfaisant, appelez sans frais notre centre pour l'eXpérience de la clientèle au **1-800-832-7173**.

Ou écrivez-nous à :
Customer eXperience Centre
KitchenAid Canada
200 - 6750 Century Ave.
Mississauga, ON L5N 0B7

Obtenir un dépannage une fois la garantie expirée ou commander des accessoires et pièces de rechange

Aux États-Unis et à Porto Rico :

Pour des informations sur le service de dépannage ou pour commander des accessoires ou des pièces de rechange, composer le numéro sans frais **1-800-832-7173** ou écrire à :
Customer eXperience Center,
KitchenAid Small Appliances,
P.O. Box 218, St. Joseph, MI 49085-0218

En dehors des États-Unis et de Porto Rico :

Consulter le revendeur KitchenAid local ou le détaillant auprès duquel le produit Pro-Line a été acheté pour obtenir la marche à suivre pour une intervention de dépannage.

Pour des informations concernant toute intervention de dépannage au Canada :

Composer le numéro sans frais **1-800-832-7173**.
Ou écrire à l'adresse suivante :
Customer eXperience Centre
KitchenAid Canada
200 - 6750 Century Ave.
Mississauga, ON L5N 0B7

Bienvenido al mundo de KitchenAid®

Estamos comprometidos a ayudarle a crear deliciosas comidas para su familia y amistades por toda la vida. Para ayudar a asegurar la larga duración y el desempeño de su aparato, mantenga esta guía a la mano. Ésta le proveerá información sobre la mejor manera de usar y cuidar su producto. Su satisfacción es nuestra meta número 1. Recuerde registrar su producto en línea en www.kitchenaid.com, o bien por correo usando la Tarjeta de registro del producto adjunta.



En EE.UU. y Canadá:
1.800.832.7173

KitchenAid.com
KitchenAid.ca

Índice

SEGURIDAD DE LA BATIDORA CON BASE	
Salvaguardias importantes	48
Requisitos eléctricos	49
PIEZAS Y CARACTERÍSTICAS	50
CÓMO ENSAMBLAR SU BATIDORA Y TAZÓN QUE SE LEVANTA	51
DISTANCIA ENTRE EL BATIDOR Y EL TAZÓN	52
USO DE LA BATIDORA CON BASE	
Tiempo de mezclado	52
Uso de la batidora	52
Cómo usar el escudo vertedor	53
Uso de los aditamentos KitchenAid®	53
GUÍA DE CONTROL DE VELOCIDADES – BATIDORAS DE 10 VELOCIDADES	54
CONSEJOS PARA EL MEZCLADO	
Información general	55
Claras de huevo	56
Crema batida	56
CONSEJOS PARA HACER PAN	
Información general	57
Mezclar y amasar la masa con levadura con el método de mezclado rápido	58
Cómo dar forma a la barra	59
ADITAMENTOS Y ACCESORIOS	
Información general	60
Instrucciones generales	61
GUÍA DE ADITAMENTOS	62
CUIDADO Y LIMPIEZA	64
SOLUCIÓN DE PROBLEMAS	65
GARANTÍA	66

Prueba de compra y registro del producto

Guarde siempre una copia del recibo de compra, en el cual se muestra la fecha de compra de su batidora con base. La prueba de compra le asegurará el servicio bajo la garantía. Antes de usar la batidora con base, llene y envíe por correo la tarjeta de registro del producto, que fue empacada con la unidad, o a www.kitchenaid.com.

Esta tarjeta nos permitirá contactarlo en el caso improbable de una notificación acerca de la seguridad del producto y nos asistirá para cumplir con las medidas de Consumer Product Safety Act (Ley de seguridad de productos al consumidor). Esta tarjeta no verifica su garantía. Sírvase completar lo siguiente para su información personal:

Número de modelo _____

Número de serie _____

Fecha de compra _____

Nombre de la tienda _____

Seguridad de la Batidora con Base

Su seguridad y la seguridad de los demás es muy importante.

Hemos incluido muchos mensajes importantes de seguridad en este manual y en su electrodoméstico. Lea y obedezca siempre todos los mensajes de seguridad.



Este es el símbolo de advertencia de seguridad.

Este símbolo le llama la atención sobre peligros potenciales que pueden ocasionar la muerte o una lesión a usted y a los demás.

Todos los mensajes de seguridad irán a continuación del símbolo de advertencia de seguridad y de la palabra "PELIGRO" o "ADVERTENCIA". Estas palabras significan:

PELIGRO

Si no sigue las instrucciones de inmediato, usted puede morir o sufrir una lesión grave.

ADVERTENCIA

Si no sigue las instrucciones, usted puede morir o sufrir una lesión grave.

Todos los mensajes de seguridad le dirán el peligro potencial, le dirán cómo reducir las posibilidades de sufrir una lesión y lo que puede suceder si no se siguen las instrucciones.

SALVAGUARDIAS IMPORTANTES

Al utilizar aparatos eléctricos, debe seguir las precauciones básicas de seguridad, entre las que se incluyen las siguientes:

1. Lea todas las instrucciones.
2. Para evitar el riesgo de choque eléctrico, no ponga la batidora con base en agua ni en ningún otro líquido.
3. Es necesario supervisar cuidadosamente a los niños cuando usen cualquier aparato o cuando éste se use cerca de ellos.
4. Desenchufe la batidora con base del contacto cuando no esté en uso, antes de colocar o quitar partes y antes de la limpieza.
5. Evite tocar las partes que estén en movimiento. Mantenga las manos, el cabello y la ropa, así como también las espátulas y otros utensilios, lejos del batidor durante el funcionamiento, para reducir el riesgo de heridas a personas y/o daños a la batidora con base.
6. No use la batidora con base si tiene un cable o enchufe dañado, si no ha funcionado correctamente, si se ha caído o si está dañada de alguna forma. Llame al Centro para la satisfacción del cliente de KitchenAid® al 1-800-832-7173 para obtener más información.
7. El uso de aditamentos no recomendados o vendidos por KitchenAid® puede provocar un incendio, choque eléctrico o lesión.

GUARDE ESTAS INSTRUCCIONES

ESTE PRODUCTO HA SIDO DISEÑADO ÚNICAMENTE PARA USO DOMÉSTICO.

SALVAGUARDIAS IMPORTANTES

8. No utilice la batidora con base en exteriores.
9. No deje que el cable cuelgue del borde de la mesa o del mostrador.
10. Retire el batidor plano, el batidor de alambre o el gancho para masa de la batidora con base antes de lavarlos.



GUARDE ESTAS INSTRUCCIONES
ESTE PRODUCTO HA SIDO DISEÑADO
ÚNICAMENTE PARA USO DOMÉSTICO.

REQUISITOS ELÉCTRICOS

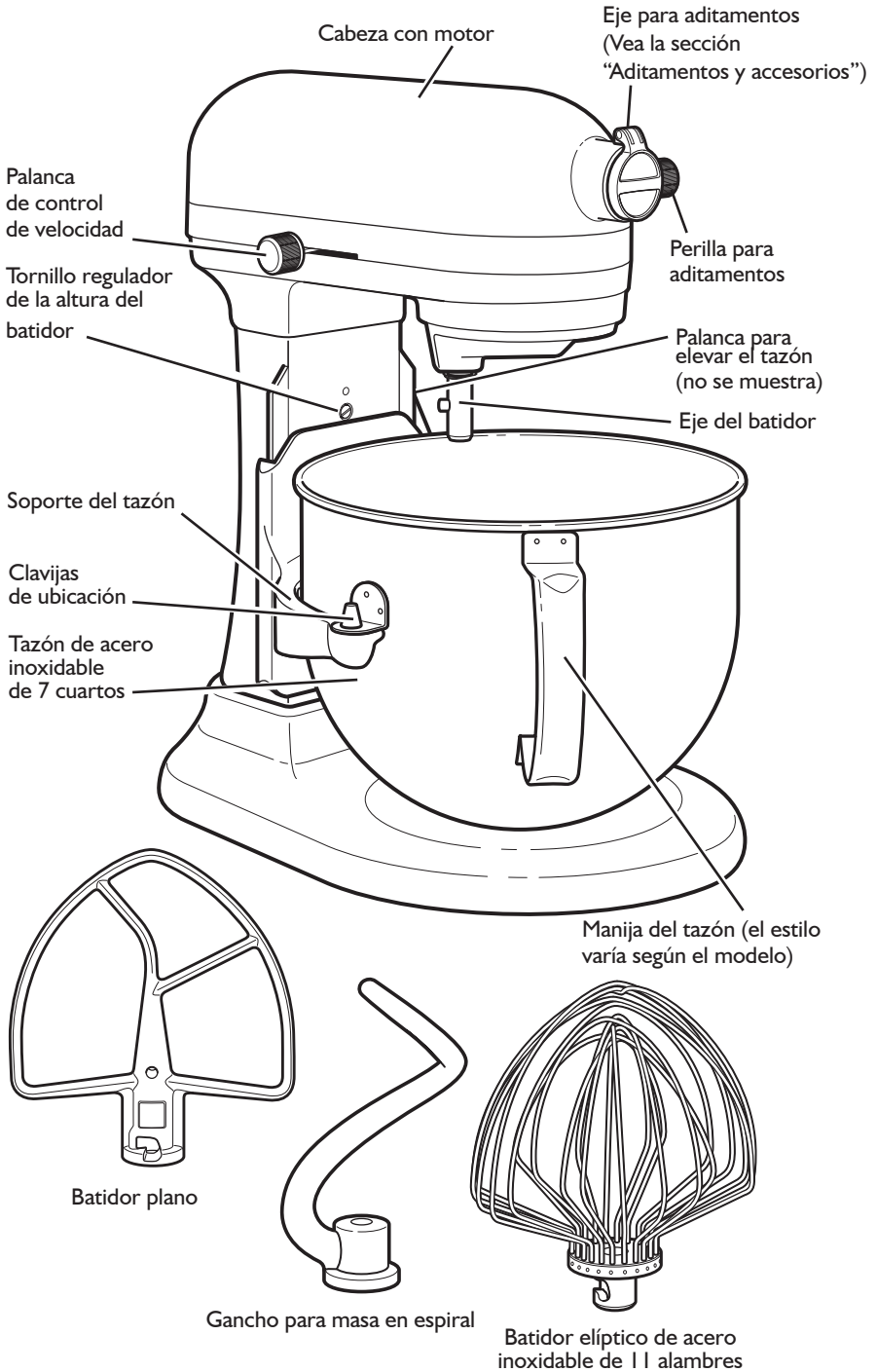
Voltios: sólo 120 C.A. Hertzios: 60
La clasificación del vataje para su batidora con base está impresa en la placa con el número de serie.

No use un cable eléctrico de extensión.
Si el cable de suministro eléctrico es demasiado corto, haga que un electricista o técnico de servicio competente instale un contacto cerca del electrodoméstico.

La clasificación máxima está basada en el accesorio que requiera la mayor carga (potencia). Otros accesorios recomendados pueden requerir una potencia significativamente menor.

 ADVERTENCIA

<p>Peligro de Choque Eléctrico</p> <p>Conecte a un contacto de pared de conexión a tierra de 3 terminales.</p> <p>No quite la terminal de conexión a tierra.</p> <p>No use un adaptador.</p> <p>No use un cable eléctrico de extensión.</p> <p>No seguir estas instrucciones puede ocasionar la muerte, incendio o choque eléctrico.</p>

Piezas y características



Cómo ensamblar su batidora y tazón que se levanta

⚠️ ADVERTENCIA



Peligro de Choque Eléctrico

Conecte a un contacto de pared de conexión a tierra de 3 terminales.

No quite la terminal de conexión a tierra.

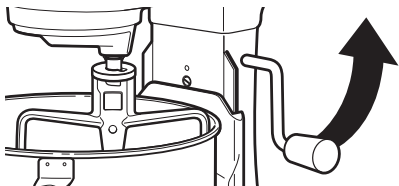
No use un adaptador.

No use un cable eléctrico de extensión.

No seguir estas instrucciones puede ocasionar la muerte, incendio o choque eléctrico.

Cómo sujetar el tazón

1. Asegúrese de que el control de velocidad esté OFF/0 (Apagado/0) y que la batidora con base esté desenchufada.
2. Coloque la palanca para elevar el tazón en la posición baja.
3. Coloque los soportes del tazón sobre las clavijas de ubicación.
4. Presione la parte posterior del tazón hacia abajo, hasta que la clavija del tazón encaje a presión en el seguro del resorte.
5. Levante el tazón antes de mezclar.
6. Conecte a un contacto de pared de conexión a tierra de 3 terminales.



Para levantar el tazón

1. Gire la palanca hacia la posición vertical.
2. Cuando mezcle, el tazón siempre debe estar levantado y bloqueado.

Para bajar el tazón

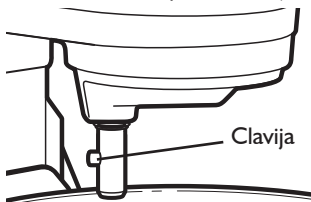
1. Gire la palanca hacia atrás y hacia abajo.

Para quitar el tazón

1. Asegúrese de que el control de velocidad esté OFF/0 (Apagado/0) y que la batidora con base esté desenchufada.
2. Coloque la manija para elevar el tazón en la posición baja.
3. Quite el batidor plano, el batidor de alambre o el gancho para masa en espiral.
4. Sujete la manija del tazón y levante directamente hacia arriba para sacarlo de las clavijas de ubicación.

Para sujetar el batidor plano, el batidor de alambre o el gancho para masa en espiral PowerKnead™

1. Deslice el control de velocidad a OFF/0 (Apagado/0) y desenchufe la batidora.
2. Deslice el batidor plano en el eje del batidor.

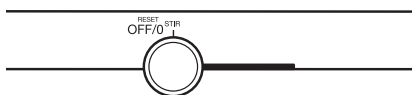


3. Gire el batidor hacia la derecha para encajarlo sobre la clavija en el eje.
4. Conecte a un contacto de pared de conexión a tierra de 3 terminales.

Para quitar el batidor plano, el batidor de alambre o el gancho para masa en espiral PowerKnead™

1. Deslice el control de velocidad a OFF/0 (Apagado/0) y desenchufe la batidora.
2. Presione el batidor hacia arriba y gírelo hacia la izquierda.
3. Jale el batidor de su eje.

Batidora con base doméstica Control de velocidad

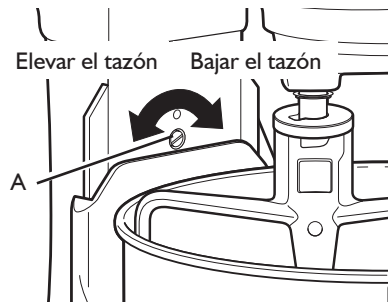


Conecte a un contacto de pared de conexión a tierra de 3 terminales. La palanca de control de velocidades siempre debe estar en la velocidad más baja para comenzar, y moverse gradualmente a la velocidad más alta deseada, para evitar que los ingredientes salpiquen fuera del tazón. Vea la sección “Guía de control de velocidad”.

Distancia entre el batidor y el tazón

Su batidora con base se ajusta de fábrica de modo que el batidor plano casi toca el fondo del tazón. Si, por cualquier razón, el batidor plano golpea el fondo del tazón o está demasiado alejado de éste, puede corregir la distancia fácilmente.

1. Desenchufe la batidora con base.
2. Coloque la manija para elevar el tazón en la posición baja.
3. Sujete el batidor plano.
4. Ajuste el batidor plano de modo que casi toque la superficie del fondo del tazón cuando éste se encuentre levantado, girando el tornillo (A) hacia la izquierda para levantar el tazón y hacia la derecha para bajarlo. Sólo se necesita girarlo ligeramente: el tornillo no girará más de 1/4 de giro (90 grados) en cualquier dirección. (El rango de ajuste máximo es de 1/2 giro o 180 grados.)
5. Coloque la manija del tazón que se levanta en la posición alta para revisar la distancia.
6. Repita los pasos 4 y 5 si es necesario.



NOTA: Cuando se ajusta correctamente, el batidor plano no golpeará el fondo ni los lados del tazón. Si el batidor plano o el batidor de alambre está tan cerca que golpea el fondo del tazón, el batidor o el batidor de alambre se desgastará.

Uso de la batidora con base

Tiempo de mezclado

Su batidora con base KitchenAid® mezclará más rápido y a fondo que la mayoría de las batidoras con base eléctricas. Por consecuencia, el tiempo de mezclado en la mayoría de las

recetas se deberá ajustar para evitar mezclar demasiado. Con los pasteles, por ejemplo, el tiempo de batido podrá tomar la mitad del tiempo que con otras batidoras con base.

Uso de la batidora

⚠ ADVERTENCIA

Peligro de Lesiones

Desenchufe la batidora antes de tocar los batidores.

No seguir esta instrucción puede ocasionar fracturas de huesos, cortaduras o magulladuras.

NOTA: No raspe el tazón mientras la batidora con base esté funcionando.

El tazón y el batidor se han diseñado para proveer un mezclado a fondo sin necesidad de raspar el tazón frecuentemente. Por lo general raspar el tazón una o dos veces durante el mezclado es suficiente. Apague la batidora con base antes de raspar. La batidora con base puede calentarse durante el uso. Con las mezclas densas que requieren un tiempo de mezclado prolongado, quizás no pueda tocar la parte superior de la batidora cómodamente. Esto es normal.

Uso de la batidora con base

Cómo usar el escudo vertedor*

Cómo usar el escudo vertedor

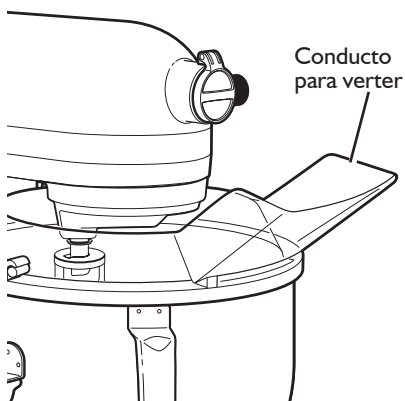
1. Asegúrese de que la palanca de control de velocidad esté en la posición de OFF/0 (Apagado/0).
2. Desenchufe la batidora con base.
3. Sujete el accesorio deseado y eleve el tazón de mezclado.
4. Deslice el collar del escudo vertedor sobre el eje del batidor, centrando el collar sobre el borde del tazón.

Cómo usar el escudo vertedor*

Vierta los ingredientes en el tazón de mezclado a través de la parte con conducto del escudo.

IMPORTANTE: Asegúrese de que las guías en la parte inferior del conducto descansen sobre el borde del tazón, para evitar que los ingredientes caigan fuera del tazón cuando se agreguen.

*Incluido con algunos modelos.



Cómo quitar el escudo vertedor

1. Asegúrese de que la palanca de control de velocidad esté en la posición de OFF/0 (Apagado/0).
2. Desenchufe la batidora con base.
3. Deslice el collar del escudo vertedor fuera del tazón.
4. Baje el soporte del tazón girando la palanca para elevar el tazón hacia abajo.
5. Quite el accesorio y el tazón de mezclado.

Uso de los aditamentos KitchenAid®

El batidor plano para mezclas normales a densas:

pasteles
glaseados cremosos
dulces
galletas
pay

pastelillos
panes rápidos
rollo de carne molida
puré de papás
pastelitos

Batidor de alambre para mezclas que necesitan tener aire incorporado:

huevos
claras de huevo
crema densa
glaseados hervidos

bizcochos
pasteles de ángel
mayonesa
algunos dulces

Gancho para masa en espiral PowerKnead™ para mezclar y amasar masas con levadura:

panes
bollos
masa para pizza

bizcocho con fruta seca
bollos

Guía de control de velocidad - batidoras con base de 10 velocidades

Todas las velocidades incluyen la característica Soft Start®, la cual pone la batidora con base en marcha en una velocidad más baja automáticamente, para ayudar a evitar que se salpiquen los ingredientes y se hagan nubes de harina al comienzo del mezclado, luego aumenta rápidamente hasta alcanzar la velocidad seleccionada para un desempeño óptimo.

Número de velocidad

Velocidad

de revolver REVOLVER

Para revolver lentamente, combinar, hacer puré y comenzar todos los procedimientos de mezclado. Use esta velocidad cuando agregue harina a la masa, y para agregar líquidos a ingredientes secos. No use la velocidad de REVOLVER para mezclar o amasar mezclas con levadura.

2 MEZCLADO LENTO

Para mezclar lentamente, hacer puré o revolver más rápido. Use esta velocidad para mezclar y amasar masas con levadura, masas y dulces densos; comenzar a hacer puré de papas u otros vegetales; incorporar manteca a la harina; mezclar masas ligeras o que puedan salpicar.

4 MEZCLAR Y BATIR

Para mezclar masas semidensas, tales como para galletas. Use esta velocidad para combinar azúcar y manteca y para agregar azúcar a claras de huevo para preparar merengues. Velocidad media para mezclas de pasteles. Usar con: Molinillo de alimentos, rebanador/cortadora con rotor; rodillo para pasta y colador para frutas/verduras.

6 BATIR, HACER CREMOSO

Para batir a velocidad media-rápida (hacer cremoso) o batir. Use esta velocidad para terminar de batir masas para pastel, donas y otro tipo de batidos para rebozar. Velocidad alta para mezclas de pasteles. Utilícelo con el accesorio exprimidor de cítricos.

8 BATIDO RÁPIDO

Para batir crema, claras de huevo y glaseados hervidos.

10 BATIDO RÁPIDO

Para batir pequeñas cantidades de crema y claras de huevo o para terminar de batir el puré de papas. Úselo con los aditamentos para hacer pasta y el molino de granos. **NOTA:** No mantendrá velocidades altas con cargas densas, tales como cuando usa los aditamentos para hacer pasta y el molino de granos.

NOTA: Use la velocidad 2 para mezclar o amasar mezclas con levadura. Usar cualquier otra velocidad crea un alto potencial de falla de la batidora. El gancho para masa en espiral PowerKnead™ amasa eficazmente la mayoría de las masas con levadura en menos de 4 minutos.

Información general

Cómo adaptar su receta para la batidora

Busque recetas similares a las suyas y adapte sus recetas para usar los procedimientos que se encuentran en las recetas de KitchenAid® que son similares a las suyas.

Por ejemplo, el método de “mezcla rápida” (algunas veces se le llama el método de “vertido”) es ideal para pasteles sencillos, tales como pastel amarillo o blanco sencillo, que se incluyen en este libro. Este método requiere que se combinen los ingredientes secos con todos o casi todos los ingredientes líquidos en un paso.

Los pasteles más elaborados, tales como la tarta con glaseado de caramelo con plátano y nueces de Castilla, deberán prepararse usando el método tradicional de mezclado para pasteles. Con este método, el azúcar y la manteca, la mantequilla o margarina se mezclan a fondo (se hacen cremosas) antes de agregar los demás ingredientes.

Para todos los pasteles, los tiempos de mezclado pueden cambiar ya que su batidora con base KitchenAid® trabaja más rápido que otras batidoras. En general, el mezclar un pastel con la batidora con base KitchenAid® tomará la mitad de tiempo que se indica en la mayoría de las recetas para pasteles.

Para ayudar a determinar el tiempo de mezclado ideal, observe la masa para rebozar o la masa y mezcle solamente hasta ver la apariencia descrita en la receta, tal como “suave y cremoso”.

Para seleccionar las mejores velocidades de mezclado, use la sección “Guía de control de velocidad”.

Cómo agregar ingredientes

Siempre agregue los ingredientes tan cerca del lado del tazón como sea posible, no lo haga directamente sobre el batidor en movimiento. El escudo vertedor puede usarse para agregar los ingredientes con más facilidad.

NOTA: Si los ingredientes en el fondo del tazón no se mezclan a fondo, entonces el batidor no está lo suficientemente cerca del fondo del tazón. Vea la sección “Distancia entre el batidor y el tazón”.

Mezclas para pasteles

Cuando prepare mezclas para pastel empacadas, use la velocidad 2 para una velocidad baja, la velocidad 4 para una velocidad media y la velocidad 6 para una velocidad alta. Para obtener los mejores resultados, mezcle por el tiempo indicado en las instrucciones del empaque.

Cómo agregar frutos secos, pasas o frutas confitadas

Siga las recetas individuales para ver las pautas sobre cómo incluir estos ingredientes. En general, los materiales sólidos deben incorporarse durante los últimos segundos de mezclado en la velocidad STIR (Revolver). Los batidos para rebozar deben ser lo suficientemente densos para evitar que las frutas o los frutos secos se peguen al fondo del molde durante el horneado. Las frutas pegajosas deben espolvorearse con harina para una mejor distribución en la masa.

Mezclas líquidas

Las mezclas que contienen grandes cantidades de ingredientes líquidos deben mezclarse a velocidades más bajas para evitar salpicaduras. Aumente la velocidad solamente después de que se haya espesado la mezcla.

Consejos para el mezclado

Claras de huevo

Coloque las claras de huevo en un tazón limpio y seco a temperatura ambiente. Sujete el tazón y el batidor de alambre. Para evitar salpicaduras, aumente a la velocidad designada gradualmente y bata hasta el punto deseado. Vea el cuadro a continuación.

CANTIDAD	VELOCIDAD
1 clara de huevo.....	GRADUALMENTE a 10
2-4 claras de huevo....	GRADUALMENTE a 8
6 o más claras de huevo.....	GRADUALMENTE a 8

Etapas de batido

Con su batidora con base KitchenAid®, las claras de huevo se baten rápidamente. Por lo tanto, esté al tanto para no batir en exceso. Esta lista le dice lo que debe esperar.

Espumoso

Burbujas de aire grandes y desiguales.

Comienza a mantener la forma

Las burbujas de aire son finas y compactas; el producto es blanco.

Pico suave

Las puntas de los picos se deshacen cuando se quita el batidor de alambre.

Casi firmes

Se forman picos muy marcados cuando se quita el batidor de alambre, pero en realidad las claras están suaves.

Firmes pero no secas

Se forman picos muy marcados y firmes cuando se quita el batidor de alambre. Las claras son uniformes en color y brillan.

Firmes y secas

Se forman picos muy marcados y firmes cuando se quita el batidor de alambre. Las claras tienen pintitas y una apariencia pálida.

Crema batida

Vierta crema para batir fría en un tazón que se haya enfriado previamente. Sujete el tazón y el batidor de alambre. Para evitar salpicaduras, aumente a la velocidad designada gradualmente y bata hasta el punto deseado. Vea el cuadro a continuación.

CANTIDAD	VELOCIDAD
1/4 taza (50 mL)	GRADUALMENTE a 10
1/2 taza (125 mL) ..	GRADUALMENTE a 10
1 taza (250 mL)	GRADUALMENTE a 8
1 pinta (500 mL)	GRADUALMENTE a 8

Etapas de batido

Preste atención cuidadosamente durante el batido. Debido a que su batidora con base KitchenAid® bate tan rápido, sólo hay unos cuantos segundos entre las etapas de batido. Busque estas características:

Comienza a espesarse

La crema es densa y parece natilla.

Mantiene la forma

Se forman picos suaves cuando se quita el batidor de alambre. Puede incorporarse a otros ingredientes cuando se preparan postres y salsas.

Firme

La crema se mantiene en picos firmes y muy marcados cuando se quita el batidor de alambre. Úsela para cubrir pasteles o postres, o bien para rellenar bollos de crema.

Información general

Hacer pan con la batidora es muy diferente de hacerlo a mano. Por lo tanto, tomará algo de práctica antes de sentirse completamente cómodo con el nuevo proceso. Para su conveniencia, le ofrecemos estos consejos para ayudarlo a que se acostumbre a hacer pan al estilo KitchenAid®.

- Comience con una receta fácil, tal como la receta “Pan blanco básico”, hasta que se haya familiarizado con el uso del gancho para masa en espiral Power Knead™.
- Siempre use el gancho para masa en espiral PowerKnead™ para mezclar y amasar las masas con levadura.
- Use la velocidad 2 para mezclar o amasar mezclas con levadura. Usar cualquier otra velocidad crea un alto potencial de falla de la batidora.
- No use recetas que requieran más de 16 tazas de harina multiuso o 10 tazas de harina integral cuando haga masa con una batidora de 7 cuartos.
- Use un termómetro de cocina para dulces u otro tipo de termómetro de cocina para asegurar que los líquidos estén a la temperatura especificada en la receta. Los líquidos a una temperatura más alta pueden matar la levadura, mientras que los líquidos a una temperatura más baja enlentecerán el crecimiento de la levadura.
- Permita que todos los ingredientes se pongan a temperatura ambiente para asegurar que la masa leude apropiadamente. Si la levadura se va a disolver en un tazón, siempre caliente el tazón previamente, enjuagándolo con agua tibia para evitar enfriar los líquidos.
- Permita que el pan se levante en un lugar tibio, entre 80 °F y 85 °F (27 °C a 29 °C), a menos que se indique lo contrario en la receta.
- A continuación se presentan algunos métodos alternativos para leudar la masa: (1) El tazón que contiene la masa puede colocarse en una rejilla sobre una olla con agua caliente. (2) El tazón puede colocarse en la parrilla superior de un horno sin calentar, con una olla con agua caliente en la rejilla que se encuentra debajo. (3) Encienda el horno a 400 °F (204 °C) por 1 minuto; apague el horno, coloque el tazón en la parrilla central del horno y cierre la puerta.

Cubra el tazón con papel encerado si lo desea. Siempre cubra el tazón con una toalla para retener el calor dentro de éste y para proteger la masa de las corrientes de aire.
- Los tiempos de leudado indicados en la receta pueden variar debido a la temperatura y la humedad en su cocina. La masa se ha duplicado de tamaño cuando presiona sus dedos rápida y ligeramente en la masa y la hendidura permanece en ésta.
- La mayoría de las recetas de pan proveen un rango de variación para la cantidad de harina a usar. Usted sabrá que se ha agregado suficiente harina cuando la masa comienza a limpiar los lados del tazón. Si la masa está pegajosa o hay mucha humedad, agregue más harina lentamente, aproximadamente 1/2 taza a la vez, pero sin exceder la capacidad de harina recomendada. Amase después de cada adición de harina hasta que ésta se haya incorporado a la masa por completo. Si se agrega demasiada harina, esto resultará en una barra de pan seca.
- Cuando haya terminado, los panes y bollos con levadura deberán estar bien dorados. Otras pruebas para el término de cocción de los panes son: El pan se separa de los lados del molde y al dar toques ligeros en la parte superior de la barra produce un sonido hueco. Coloque las barras y los bollos sobre parrillas inmediatamente después de hornear para evitar que se empapen.

Consejos para hacer pan

Preparar y amasar la masa con levadura con el método de mezclado rápido

“Mezclado rápido” describe un método de hacer pan que requiere mezclar levadura seca con otros ingredientes secos antes de agregar líquido. A diferencia de este método, el método tradicional requiere disolver la levadura en agua tibia.

1. Coloque todos los ingredientes secos, incluida la levadura, en el tazón, con excepción de la última o las dos últimas tazas de harina.
2. Sujete el tazón y el gancho para masa en espiral PowerKnead™. Levante el tazón de la batidora. Ponga la batidora en la velocidad 2 y mezcle por aproximadamente 15 segundos o hasta que se combinen los ingredientes.
3. Continúe en la velocidad 2 y agregue gradualmente los ingredientes líquidos a la mezcla de harina; mezcle de 1 a 2 minutos adicionales. Vea la ilustración A.

NOTA: Si los ingredientes líquidos se agregan demasiado rápido, formarán una masa de agua alrededor del gancho para masa en espiral PowerKnead™ y se entretecerá el proceso de mezclado.

4. Continúe en la velocidad 2 y agregue el resto de la harina con cuidado, 1/2 taza a la vez. Vea la ilustración B. Mezcle hasta que la masa empiece a limpiar los lados del tazón; aproximadamente 2 minutos.
5. Amase a velocidad 2 por 2 minutos más, o bien hasta que la masa esté suave y elástica. Vea la ilustración C.
6. Baje el tazón en la batidora y quite el masa del tazón y del gancho para masa en espiral PowerKnead™. Siga las instrucciones en la receta para que leude, para dar forma y para hornear.

Cuando use el método tradicional para preparar su receta favorita, disuelva la levadura en agua tibia, en un tazón que se haya calentado previamente. Agregue los ingredientes líquidos y secos restantes, excepto la última o las 2 últimas tazas de harina. Ponga la batidora en la velocidad 2 y mezcle por aproximadamente 1 minuto o hasta que se mezclen a fondo los ingredientes. Continúe con los pasos 4 a 6.

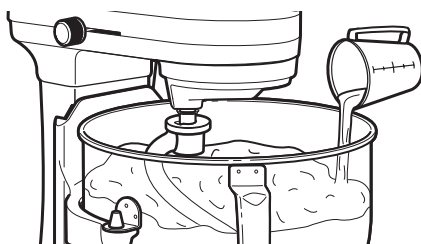


ILUSTRACIÓN A

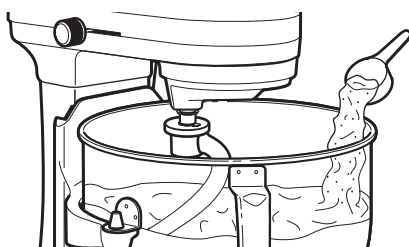


ILUSTRACIÓN B

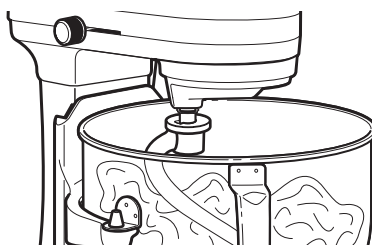


ILUSTRACIÓN C

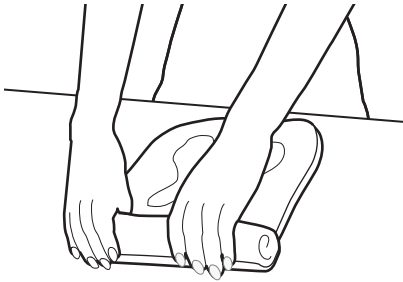
Ambos métodos funcionan igualmente bien para la preparación de pan. Sin embargo, el método de “Mezclado rápido” puede ser un poco más rápido y fácil para los nuevos panaderos. Éste tolera una temperatura ligeramente más alta, ya que la levadura se mezcla con los ingredientes secos, en lugar de mezclarse con agua tibia.

Consejos para hacer pan

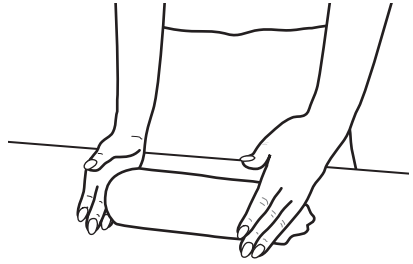
Cómo dar forma a la barra



1. Divida la masa a la mitad. Sobre una superficie ligeramente enharinada, gire la masa sobre la superficie y déle forma rectangular, de aproximadamente 23 x 36 cm (9 x 14"). Un rodillo suavizará la masa y eliminará las burbujas de aire.



2. Comenzando por el lado corto, gire la masa ligeramente. Pellizque la masa para sellar la juntura.



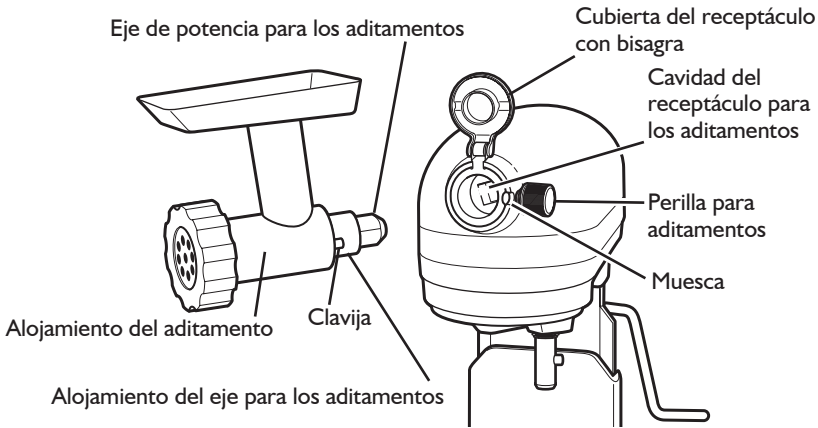
3. Pellizque los bordes y déles vuelta hacia abajo. Coloque la masa con el lado de la juntura hacia abajo en un molde para barra de pan. Siga las instrucciones en la receta para leudar y hornear.

Aditamentos y accesorios

Información general

Los aditamentos de KitchenAid® se han diseñado para asegurar una larga vida. El eje de potencia y la cavidad del receptáculo del aditamento tienen un diseño cuadrado, el cual elimina cualquier posibilidad de que el accesorio se deslice fuera del receptáculo durante la transmisión de energía al aditamento. El alojamiento de la cavidad y el eje se han estrechado para asegurar que el aditamento encaje de manera ajustada, aun después del uso prolongado y el desgaste. Los aditamentos de KitchenAid® no requieren una unidad de suministro eléctrico adicional; la unidad de suministro está incorporada.

Consulte la Guía de uso y cuidado, la cual fue provista con los aditamentos para la batidora con base, para ver los ajustes de velocidad y el tiempo de funcionamiento.



Instrucciones generales

Para sujetar

1. Apague la batidora con base y desenchúfela.
2. Afloje la perilla del aditamento girándola hacia la izquierda.
3. Abra la cubierta del receptáculo con bisagra.
4. Inserte el alojamiento del eje del aditamento en el receptáculo de éste, asegurándose de que el eje de potencia del aditamento encaje dentro de la cavidad cuadrada del receptáculo para aditamentos. Puede ser necesario girar el aditamento hacia atrás y hacia adelante. Cuando el aditamento está en la posición correcta, la clavija del aditamento encajará en la muesca del borde del receptáculo.
5. Apriete la perilla del aditamento girándola hacia la derecha, hasta que el aditamento esté asegurado por completo a la batidora con base.

Para quitar

1. Apague la batidora con base y desenchúfela.
2. Afloje la perilla del aditamento girándola hacia la izquierda. Gire el aditamento ligeramente hacia atrás y hacia delante, al mismo tiempo que lo jala hacia fuera.
3. Vuelva a colocar la cubierta del receptáculo del aditamento. Apriete la perilla del aditamento girándola hacia la derecha.

ADVERTENCIA



Peligro de Choque Eléctrico

Conecte a un contacto de pared de conexión a tierra de 3 terminales.

No quite la terminal de conexión a tierra.

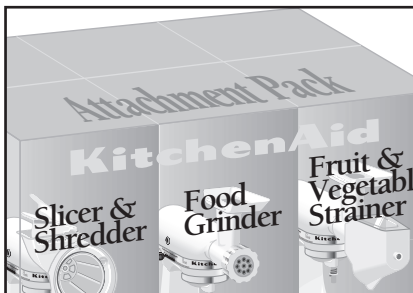
No use un adaptador.

No use un cable eléctrico de extensión.

No seguir estas instrucciones puede ocasionar la muerte, incendio o choque eléctrico.

6. Conecte a un contacto de pared de conexión a tierra de 3 terminales.

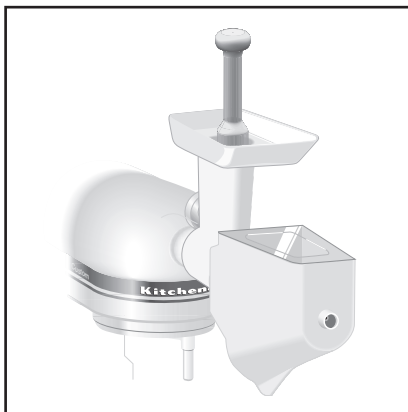
Paquete de aditamentos para distintas funciones



Modelo FPPA

Se han empacado tres aditamentos populares de KitchenAid® en una caja. Ésta incluye una rebanadora/cortadora con rotor (RVSA), un molinillo de alimentos (FGA) y piezas para el colador para frutas/verduras (FVSP).

Colador de frutas/verduras



Modelo FVSFGA

Facilita y hace más rápida la preparación de mermeladas, purés, salsas y alimentos para bebé. Incluido con el molinillo de alimentos.

Molinillo de alimentos



Modelo FGA

Muele carnes, frutas y vegetales firmes y pan seco.

Bandeja para alimentos



Modelo FT

Tiene capacidad para grandes cantidades de alimentos, para hacer jugo, puré y moler con más facilidad. Para usarse con el modelo FGA.

Para obtener más información, llame al 1-800-832-7173

Embutidor para salchichas



Modelo SSA

Tubos para embutir de 3/8" y 5/8" para hacer salchichas Bratwurst, Kielbasa, italianas o polacas y salchichas para el desayuno. Para usarse con el modelo FGA.

Rebanadora/cortadora con rotor



Modelo RVSA

Incluye 4 conos: Rebanador delgado y grueso, cortadora fina y gruesa.

Molino de granos



Modelo KGMA

Muele granos con bajo contenido de humedad y textura muy fina a muy gruesa.

Juego de rodillo para pasta



Modelo KPRA

Para hacer láminas de pasta para lasaña, tallarines y linguinis finos. El juego de 3 piezas incluye un rodillo, un cortador para tallarines y un cortador para linguinis finos.

Exprimidor de cítricos



Modelo JE

Exprime cítricos rápidamente y a fondo, separa la pulpa.

Escudo vertedor



Modelo KN2PS

(Encaja en todos los modelos con tazón ancho que se levanta de 7 cuartos)
Minimiza las salpicaduras cuando se agregan los ingredientes.

Para obtener más información, llame al 1-800-832-7173

Cuidado y limpieza

El tazón, el batidor plano de metal recubierto, el batidor de alambre de acero inoxidable y el gancho para masa en espiral de metal recubierto pueden lavarse en una lavavajillas automática. O bien, lávelos a fondo en agua caliente jabonosa y enjuáguelos por completo ante de secarlos. No deje guardados los batidores sobre el eje.

NOTA: Cerciórese siempre de desenchufar la batidora con base antes de la limpieza. Limpie la batidora con base con un paño suave húmedo. No use limpiadores domésticos ni comerciales. No la sumerja en el agua. Limpie el eje del batidor con frecuencia, quitando cualquier residuo que se pueda acumular.

Cómo limpiar el escudo vertedor*

Lave en agua tibia jabonosa. Usted puede colocar el escudo en la canastilla superior de la lavavajillas si lo desea.

*Incluido con algunos modelos.

Sírvase leer la información a continuación antes de llamar al centro de servicio.

1. La batidora con base puede calentarse durante el uso. Cuando trabaje con cargas pesadas y en períodos de mezclado prolongados, quizá no pueda tocar cómodamente la parte superior de la batidora con base. Esto es normal.
2. La batidora con base podrá emitir un olor cáustico, especialmente cuando es nueva. Esto es común en los motores eléctricos.
3. Si el batidor plano golpea el tazón, detenga la batidora con base. Vea la sección "Distancia entre el batidor y el tazón".

Guarde una copia del recibo que muestre la fecha de la compra. La prueba de compra le asegurará el servicio bajo la garantía.

Si su batidora con base falla o no funciona, sírvase revisar lo siguiente:

- ¿Está conectada la batidora con base?
- ¿Está funcionando adecuadamente el fusible en el circuito que va a la batidora con base? Si tiene una caja de cortacircuitos, asegúrese de que el circuito esté cerrado.
- Apague la batidora con base durante 10 a 15 segundos y vuelva a encenderla. Si la batidora todavía no se enciende, deje que se enfríe durante 30 minutos antes de volver a encenderla.
- Si el problema no se debe a lo mencionado anteriormente, consulte la sección "Cómo obtener servicio técnico".
- No devuelva la batidora con base a la tienda, ellos no brindan servicio técnico.

Garantía limitada de reemplazo total de KitchenAid® Pro-Line para los 50 estados de los Estados Unidos, el Distrito de Columbia, Puerto Rico y Canadá

Esta garantía se extiende al comprador y a cualquier propietario subsiguiente para los productos KitchenAid Pro-Line usados en los 50 estados de Estados Unidos, el Distrito de Columbia, Puerto Rico y Canadá.

Duración de la garantía limitada de reemplazo total:

Cinco años a partir de la fecha de compra.

KitchenAid pagará por lo siguiente, a su elección:



Reemplazo sin dificultades para su producto Pro-Line. Consulte la siguiente página para obtener detalles acerca de cómo obtener el servicio o llame al Centro para la eXperiencia sin cargo, al **1-800-832-7173**.

O BIEN

Los costos de las piezas de repuesto y del trabajo de reparación para corregir los defectos en los materiales y la mano de obra. El servicio deberá ser provisto por un centro de servicio autorizado por KitchenAid.

KitchenAid no pagará por:

- A.** Reparaciones cuando su producto Pro-Line ha sido empleado para fines ajenos al uso doméstico normal de una sola familia.
- B.** Daños causados por accidente, alteración, uso indebido o abuso.
- C.** Cualquier gasto de envío o manejo para llevar el producto Pro-Line a un centro de servicio autorizado.
- D.** Piezas de repuesto o costos de mano de obra para la reparación de los productos Pro-Line usados fuera de los 50 estados de Estados Unidos, el Distrito de Columbia, Puerto Rico y Canadá.

EXCLUSIÓN DE GARANTÍAS IMPLÍCITAS LAS GARANTÍAS IMPLÍCITAS, INCLUYENDO CUALQUIER GARANTÍA IMPLÍCITA DE COMERCIABILIDAD O GARANTÍA IMPLÍCITA DE CAPACIDAD PARA UN PROPOSITO PARTICULAR, SERÁN LIMITADAS A CINCO AÑOS O AL PERÍODO MÁS CORTO PERMITIDO POR LEY. Algunos estados y provincias no permiten la limitación de la duración de las garantías implícitas de comerciabilidad o capacidad, de modo que la limitación arriba indicada quizá no le corresponda. Esta garantía le otorga derechos legales específicos y es posible que usted tenga también otros derechos que varían de un estado a otro y de una provincia a otra.

EXCLUSIÓN DE DECLARACIONES FUERA DE LA GARANTÍA KitchenAid no hace declaraciones acerca de la calidad, durabilidad o necesidad de servicio técnico o reparación de este electrodoméstico aparte de las declaraciones incluidas en esta Garantía. Si usted desea una garantía con una duración más prolongada o más completa que la garantía limitada que se incluye con este electrodoméstico, deberá dirigirse a KitchenAid o a su distribuidor para la compra de un contrato de servicio.

LIMITACIÓN DE RECURSOS; EXCLUSIÓN DE DAÑOS INCIDENTALES Y CONSECUENTES SU ÚNICO Y EXCLUSIVO RECURSO SEGÚN LOS TÉRMINOS DE ESTA GARANTÍA LIMITADA SERÁ EL DE REEMPLAZAR O REPARAR EL PRODUCTO SEGÚN SE ESTIPULA EN LA PRESENTE. KITCHENAID NO SE RESPONSABILIZARÁ POR DAÑOS INCIDENTALES O CONSECUENTES. Algunos estados y provincias no permiten la exclusión o limitación de daños incidentales o consecuentes, de modo que estas limitaciones y exclusiones quizá no le correspondan. Esta garantía le otorga derechos legales específicos y es posible que usted tenga también otros derechos que varían de un estado a otro y de una provincia a otra.

Garantía de reemplazo sin dificultades – En los cincuenta estados de Estados Unidos, el Distrito de Columbia y Puerto Rico

Confiamos tanto en que la calidad de nuestros productos cumple con las exigentes normas de KitchenAid que, si su producto Pro-Line presentara alguna falla durante los primeros cinco años de compra, KitchenAid se encargará de entregar un reemplazo idéntico o comparable a su domicilio sin cargo y de devolvernos su producto Pro-Line original. La unidad de reemplazo estará también cubierta por nuestra garantía limitada de cinco años. Sírvase seguir estas instrucciones para recibir este servicio de calidad.

Si su producto Pro-Line fallara durante los primeros cinco años de compra, simplemente llame a nuestro número gratuito del Centro para la eXperiencia del cliente al **1-800-832-7173** de lunes a viernes. Sírvase tener a mano el recibo de compra original cuando llame. Se requerirá la prueba de compra para iniciar un proceso de reclamo. Proporcione al asesor su dirección de envío completa. (No números de apartados postales, por favor.)

Cuando usted reciba el producto Pro-Line de reemplazo, use el cartón y los materiales de empaque para empacar el producto Pro-Line original.

Garantía de reemplazo sin dificultades - en Canadá

Confiamos tanto en que la calidad de nuestros productos cumple con las exigentes normas de KitchenAid® que, si su producto Pro-Line presentara alguna falla durante los primeros cinco años de compra, KitchenAid Canada lo reemplazará con un producto Pro-Line idéntico o un reemplazo comparable. La unidad de reemplazo estará también cubierta por nuestra garantía limitada de cinco años. Sírvase seguir estas instrucciones para recibir este servicio de calidad.

Si su producto Pro-Line presentara alguna falla durante los primeros cinco años de compra, llévelo o envíelo a cobro revertido a un Centro de servicio autorizado por KitchenAid. En la caja, incluya su nombre y domicilio de envío

completo en una hoja de papel junto con la copia del comprobante de compra (recibo de la caja registradora, recibo de pago de la tarjeta de crédito, etc.). Su producto Pro-Line de reemplazo será devuelto con porte prepago y asegurado. Si no puede obtener un servicio satisfactorio de esta manera, llame a nuestro número gratuito del Centro para la eXperiencia del cliente al **1-800-832-7173**.

O bien escribanos a:
Customer eXperience Centre
KitchenAid Canada
200 - 6750 Century Ave.
Mississauga, ON L5N 0B7

Cómo obtener servicio técnico después de que expire la garantía o cómo pedir accesorios y piezas de repuesto

En los Estados Unidos y Puerto Rico:

Para obtener información acerca del servicio técnico o para pedir accesorios o piezas de repuesto, llame sin costo al **1-800-832-7173** o escriba a:

Customer eXperience Center,
KitchenAid Small Appliances,
P.O. Box 218, St. Joseph, MI 49085-0218

Fuera de los Estados Unidos y Puerto Rico:

Consulte a su distribuidor local de KitchenAid o a la tienda donde compró su producto Pro-Line para obtener información sobre el servicio técnico.

Para obtener información acerca del servicio en Canadá:

Llame sin costo al **1-800-832-7173**.

O bien escriba a:
Customer eXperience Centre
KitchenAid Canada
200 - 6750 Century Ave.
Mississauga, ON L5N 0B7



FOR THE WAY IT'S MADE.®

®/™ ©2012 KitchenAid. All rights reserved. The design of the stand mixer is a trademark in the U.S. and elsewhere.

®/™ ©2012 KitchenAid. Tous droits réservés. La forme du batteur est une marque déposée de KitchenAid, Etats-Unis

®/™ ©2012 KitchenAid. Todos los derechos reservados. La forma de la batidora es una marca de comercio de KitchenAid, U.S.A.