



WASHER USER INSTRUCTIONS

إرشادات استخدام الغسالة

Table of Contents

ASSISTANCE OR SERVICE	1
WASHER SAFETY.....	1
WASHER USE	2
WASHER CARE	4
TROUBLESHOOTING.....	5

قائمة الموضوعات

7	المساعدة أو الخدمة
7	سلامة الغسالة
8	استخدام الغسالة
10.....	العناية بالغسالة
11.....	مشكلات وحلول

Assistance or Service

Before calling for assistance or service, please check "Troubleshooting." It may save you the cost of a service call. If you still need help, contact the dealer from whom you purchased the washer, or a Whirlpool designated service company.

When calling, please know the purchase date and the complete model and serial number of your appliance. This information will help us to better respond to your request.

If you need replacement parts

If you need to order replacement parts, we recommend that you only use factory specified parts. These parts will fit right and work right because they are made with the same precision used to build every new WHIRLPOOL® appliance.

To locate replacement parts in your area:

Contact the dealer from whom you purchased the washer, or a Whirlpool designated service company.

WASHER SAFETY

Your safety and the safety of others are very important.

We have provided many important safety messages in this manual and on your appliance. Always read and obey all safety messages.



This is the safety alert symbol.

This symbol alerts you to potential hazards that can kill or hurt you and others.

All safety messages will follow the safety alert symbol and either the word "DANGER" or "WARNING."

These words mean:

⚠ DANGER

You can be killed or seriously injured if you don't immediately follow instructions.

⚠ WARNING

You can be killed or seriously injured if you don't follow instructions.

All safety messages will tell you what the potential hazard is, tell you how to reduce the chance of injury, and tell you what can happen if the instructions are not followed.

IMPORTANT SAFETY INSTRUCTIONS

WARNING: To reduce the risk of fire, electric shock, or injury to persons when using the washer, follow basic precautions, including the following:

- Read all instructions before using the washer.
- Do not wash articles that have been previously cleaned in, washed in, soaked in, or spotted with petrol, dry-cleaning solvents, other flammable or explosive substances as they give off vapours that could ignite or explode.
- Do not add petrol, dry-cleaning solvents, or other flammable, or explosive substances to the wash water. These substances give off vapours that could ignite or explode.
- Under certain conditions, hydrogen gas may be produced in a hot water system that has not been used for 2 weeks or more. **HYDROGEN GAS IS EXPLOSIVE.** If the hot water system has not been used for such a period, before using the washing machine, turn on all hot water taps and let the water flow from each for several minutes. This will release any accumulated hydrogen gas. As the gas is flammable, do not smoke or use an open flame during this time.
- Do not allow children to play on or in the washer. Close supervision of children is necessary when the washer is used near children.
- The appliance is not intended for use by young children or infirm persons without supervision.
- Before the washer is removed from service or discarded, remove the door or lid.
- Do not reach into the washer if the drum, tub or agitator is moving.
- Do not install or store the washer where it will be exposed to the weather.
- Do not tamper with controls.
- Do not repair or replace any part of the washer or attempt any servicing unless specifically recommended in this Use and Care Guide or in published user-repair instructions that you understand and have the skills to carry out.
- See Installation Instructions for earthing requirements.
- If the supply cord is damaged, it must be replaced by the manufacturer or its service agent or a similarly qualified person in order to avoid a hazard.

SAVE THESE INSTRUCTIONS

WASHER USE

Starting Your Washer

⚠ WARNING



Fire Hazard

Never place items in the washer that are dampened with gasoline or other flammable fluids.

No washer can completely remove oil.

Do not dry anything that has ever had any type of oil on it (including cooking oils).

Doing so can result in death, explosion, or fire.

⚠ WARNING



Electrical Shock Hazard

Plug into a grounded 3 prong outlet.

Do not remove ground prong.

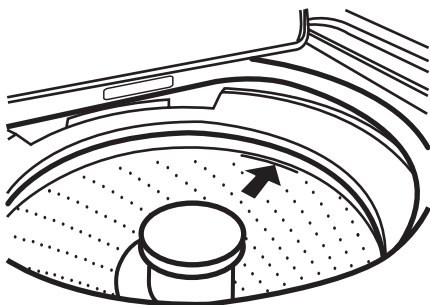
Do not use an adapter.

Do not use an extension cord.

Failure to follow these instructions can result in death, fire, or electrical shock.

1. Measure detergent and pour it into the washer. If desired, add powdered or liquid color safe bleach.
2. Drop a sorted load of clothes loosely into your washer.
 - Load evenly to maintain washer balance. Mix large and small items. Items should move easily through the wash water.

- Load only to the top of the basket as shown. Overloading can cause poor cleaning.

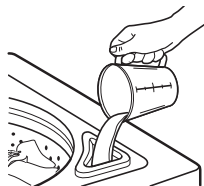


3. (OPTIONAL) Add liquid chlorine bleach.

NOTE: Follow the garment and the chlorine bleach manufacturers' directions for proper use. Undiluted bleach will damage any fabric it touches. The damage appears as rips, holes, tears, or color loss and may not show up until several washings later. To avoid spilling, use a cup with a pouring spout. Do not let bleach splash, drip, or run down into the washer basket. Always measure liquid chlorine bleach. Do not guess. Do not use more than the manufacturer's recommended amount for a full load. Use less with a smaller load size.

Style 1: With liquid chlorine bleach dispenser (on some models)

- Use only liquid chlorine bleach in this dispenser. Do not use this dispenser to add powdered chlorine or color-safe bleach to your load. Pour measured liquid chlorine bleach into the liquid chlorine bleach dispenser. Bleach is immediately fed into washer and is diluted automatically during the wash part of the cycle.



Style 2: Without liquid chlorine bleach dispenser (on some models)

- Let the washer fill and begin agitating the load.
- Add bleach 5 minutes into the wash cycle for best cleaning and so that bleach can be removed in the rinse cycle. Pour bleach around the agitator, not directly onto the load to avoid damaging clothing or other items in the load.

4. (OPTIONAL) Add liquid fabric softener.

NOTE: Do not spill or drip any fabric softener onto the clothes. Undiluted fabric softener can stain fabrics. Always dilute fabric softener with warm water. Using too much fabric softener can make some items (diapers and towels) nonabsorbent. If this happens, do not use it in every load, or use less of it in each load.

Style 1: With liquid fabric softener dispenser (on some models)

- Use only liquid fabric softener in this dispenser. Pour measured liquid fabric softener into the dispenser. Softener is added automatically during the rinse portion of the cycle. Dilute liquid fabric softener by filling the dispenser with warm water until liquid reaches the underside of the rim. See max fill line arrows.



Style 2: Without liquid fabric softener dispenser (on some models)

- In the final rinse only, add fabric softener that has been diluted with ½ to 1 cup (125 to 250 mL) warm water.
- Close the washer lid. Washer will not agitate or spin with the lid open.
 - Turn the LOAD SIZE selector to the correct setting for your wash load and the type of fabric being washed.
 - You may change the load size selection after the washer has started filling by turning the selector to a different setting.
 - On models with a variable Load Size or Water Level control, you should turn the knob to RESET, then to desired setting.
 - Select a Wash Temperature based on the type of fabric and soil being washed. Use the warmest wash water safe for the fabric. Follow garment label instructions.

The Automatic Temperature Control (ATC) (on some models) electronically senses and maintains a uniform water temperature by regulating incoming hot and cold water.

 - Even in Cool wash, some warm water is let into the washer to maintain a minimum temperature of approximately 70°F (21°C).

Care Control Temps (on some models) uses Automatic Temperature Control (ATC) to electronically sense and maintain a uniform water temperature by regulating incoming hot and cold water. Care Control Temps provides higher wash temperatures for the more aggressive, heavy-duty cycles and slightly lower temperatures on cycles for delicate and hand wash items, to provide better fabric care.

Temperature Guide

Wash Temp	Suggested Fabrics
Hot Care Control	Whites and pastels Durable garments Heavy soils
Warm Care Control	Bright colors Moderate to light soils
Cool	Colors that bleed or fade Light soils
Cold	Dark colors that bleed or fade Light soils

NOTE: In wash water temperatures colder than 60°F (15.6°C), detergents do not dissolve well. Soils can be difficult to remove. Some fabrics can retain wear wrinkles and have increased pilling (the formation of small lint-like balls on the surface of garments).

- You can customize your wash by adding rinse Options to your cycle selections. The Options control knob has settings for:
 - Extra Rinse - Selecting this option provides a second rinse. An Extra Rinse can be added to any wash cycle.
 - Cycle Signal - A tone will sound at the end of the cycle. The sound level cannot be adjusted.
 - Extra Rinse & Cycle Signal - This option combines both an Extra Rinse and a Cycle Signal at the end of the wash cycle.

9. Fabric Select (on some models). Each fabric setting is designed for different types of fabric and soil levels.
10. Push in the Timer knob and turn it clockwise to the wash cycle you want. Reduce the wash time when using a small water level setting. Pull out the Timer knob to start the washer.



To stop or restart your washer:

- To stop the washer at any time, push in the Timer knob.
- To restart the washer, close the lid (if open) and pull out the Timer knob.

WASHER CARE

Cleaning Your Washer

Use a soft, damp cloth or sponge to wipe up any spills such as detergent or bleach from the outside of your washer.

Clean your washer interior by mixing 1 cup (250 mL) of chlorine bleach and 2 cups (500 mL) of detergent. Pour this mixture into your washer and run it through a complete cycle using hot water. Repeat this process if necessary.

Remove any hard water deposits using only cleaners labeled as washer safe.

Cleaning the liquid fabric softener dispenser (on some models):

1. Remove dispenser by grasping top with both hands and squeezing, while pushing upward with thumbs.
2. Rinse dispenser under warm water, then replace it.

NOTE: Some models are equipped with a liquid fabric softener dispenser. To avoid damage to the washer or clothing, do not wash clothes with the liquid fabric softener dispenser removed or add detergent or bleach to this dispenser; it is for liquid fabric softener only.

Water Inlet Hoses

Replace inlet hoses after 5 years of use to reduce the risk of hose failure. Periodically inspect and replace inlet hoses if bulges, kinks, cuts, wear, or leaks are found.

When replacing your inlet hoses, mark the date of replacement on the label with a permanent marker.

Moving and Storage

Because some water may stay in the hoses, freezing can damage your washer. If storing or moving your washer during freezing weather, winterize it.

Winterizing your washer

1. Shut off both water faucets. Disconnect and drain water inlet hoses. Pour 1 qt (1 L) of R.V.-type antifreeze into the basket.
2. Run washer on a drain and spin setting for about 30 seconds to mix the antifreeze and remaining water.
3. Unplug washer or disconnect power.

To use washer again

1. Flush water pipes and hoses. Reconnect water inlet hoses. Turn on both water faucets.

WARNING

Electrical Shock Hazard

Plug into a grounded 3 prong outlet.

Do not remove ground prong.

Do not use an adapter.

Do not use an extension cord.

Failure to follow these instructions can result in death, fire, or electrical shock.

2. Plug in washer or reconnect power.
3. Run the washer through a complete cycle with 1 cup (250 mL) of detergent to clean out antifreeze.

Storage, non-use, or vacation care

Operate your washer only when you are at home. If you will be on vacation or not using your washer for an extended period of time, you should:

1. Unplug washer or disconnect power.
2. Turn off the water supply to the washer. This helps avoid flooding (due to a water pressure surge) while you are away.

TROUBLESHOOTING

First try the solutions suggested here and possibly avoid the cost of a service call...

Washer and Components

Noisy

- **Is the load balanced and the washer level?** The wash load should be balanced and not overloaded. The washer must be level. The front feet should be properly installed and the nuts tightened. Reset the rear leveling legs (if needed). See the Installation Instructions.
- **Did you completely remove the yellow shipping strap with cotter pins?** See the Installation Instructions.
- **Are the gears engaging after the drain and before spin, or is the upper part of agitator clicking during wash?** These are normal washer noises.

Leaking

- **Check the following:**
 - Are the fill hoses tight?
 - Are the fill hose washers properly seated?
 - Is the drain hose clamp properly installed? See the Installation Instructions.
- **Is the sink or drain clogged?** Sink and standpipe must be able to handle 17 gal. (64 L) of water per minute.
- **Is water deflecting off the tub ring or the load?** Center the tub before starting the washer. The wash load should be balanced and not overloaded. The fill or spray rinses can deflect off the load. The washer must be level. The front feet should be properly installed and the nuts tightened. Reset the rear leveling legs (if needed). See the Installation Instructions.
- **Check household plumbing for leaks.**

Basket crooked

- **Was the washer basket pulled forward during loading?** Push the basket to the center before starting wash.
- **Is the load balanced and the washer level?** The wash load should be balanced and not overloaded. The washer must be level. The front feet should be properly installed and the nuts tightened. Reset the rear leveling legs (if needed). See the Installation Instructions.
- **The washer basket moves while washing.** This is normal.

Agitator operation

- **The top of the agitator is loose, or moves in only one direction.** This is normal.

Dispensers clogged or bleach leaking

- **Did you follow the manufacturer's directions when adding detergent and fabric softener to the dispensers (on some models)?** Measure detergent and fabric softener. Slowly pour into the dispensers. Wipe up all spills. Dilute fabric softener in the fabric softener dispenser.
- **Did you put powdered or color-safe bleach into the liquid chlorine bleach dispenser (on some models)?** Add powdered or liquid color-safe bleach directly to the basket. Do not use the chlorine bleach dispenser for color-safe bleach.

Washer Operation

Washer won't run, fill, rinse, or agitate; washer stops

⚠ WARNING



Electrical Shock Hazard

Plug into a grounded 3 prong outlet.

Do not remove ground prong.

Do not use an adapter.

Do not use an extension cord.

Failure to follow these instructions can result in death, fire, or electrical shock.

- **Is the power cord plugged into a grounded 3 prong outlet?** Plug power cord into a grounded 3 prong outlet.
- **Are you using an extension cord?** Do not use an extension cord.
- **Is the indicator on the Timer knob properly lined up with a cycle?** Turn the Timer knob to the right slightly and pull to start.
- **Are the water inlet valve screens clogged?** Turn off the water and remove inlet hoses from the washer. Remove any accumulated film or particles. Reinstall hoses, turn on water and check for leaks.
- **Are both the hot and cold water faucets turned on?** Turn on the water.
- **Is the water inlet hose kinked?** Straighten the hoses.
- **Does the water level seem too low, or does the washer appear to not fill completely?** The top of the agitator is much higher than the highest water level. This is normal and necessary for clothes to move freely.
- **Has a household fuse blown, or has a circuit breaker tripped?** Replace the fuse or reset the circuit breaker. If the problem continues, call an electrician.
- **Is the washer in a normal pause in the cycle?** The washer pauses for about 2 minutes during certain cycles. Allow the cycle to continue. Some cycles feature periods of agitation and soak.
- **Is the washer overloaded?** Wash smaller loads.
- **Is the lid open?** The lid must be closed during operation. Washer will not agitate or spin with the lid open.

Washer won't drain or spin

- **Is the drain hose clogged, or the end of the drain hose more than 96" (244 cm) above the floor?** See the Installation Instructions for proper installation of drain hose.
- **Is the lid open?** The lid must be closed during operation. Washer will not agitate or spin with the lid open.

- **Is there excessive sudsing?** Always measure detergent. Follow manufacturer's directions. If you have very soft water, you might need to use less detergent.

Washer continues to fill or drain; cycle seems stuck

- **Is the top of drain hose lower than the water level in washer?** The top of the hose must be higher than the water level in the washer for proper operation. See the Installation Instructions.
- **Does the drain hose fit too tightly in the standpipe, or is it taped to the standpipe?** The drain hose should be loose yet fit securely. Do not seal the drain hose with tape. The hose needs an air gap. See the Installation Instructions.

Wash/Rinse temperature not what I selected

- **Are the hot and cold water inlet hoses reversed?** See the Installation Instructions for more information. As your frequency of loads washed increases, the water temperature may decrease for hot and warm temperatures. This is normal.

Washer Results

Load too wet

- **Did you use the right cycle for the load being washed?** Select a cycle with a higher spin speed (if available).
- **Did you use a cold rinse?** Cold rinses leave loads wetter than warm rinses. This is normal.

Residue or lint on load

- **Did you sort properly?** Sort lint givers (towels, chenille) from lint takers (corduroy, synthetics). Also sort by color.
- **Did you overload the washer?** The wash load must be balanced and not overloaded. Clothes should move freely. Lint can be trapped in the load if overloaded. Wash smaller loads.
- **Did you select the correct water level?** The water level should be correct for the load size. Clothes should move freely in the water.
- **Did you use enough detergent?** Follow manufacturer's directions. Use enough detergent to hold the lint in the water.
- **Did you line dry your clothing?** If so, you can expect some lint on the clothing.
- **Check the following:**
 - Was paper or tissue left in the pockets?
 - Is your water colder than 60°F (15.6°C)? Wash water colder than 60°F (15.6°C) may not completely dissolve the detergent.
 - Did you use the proper cycle time for the load? Reducing wash time (duration) is another way to reduce lint.

Stains on load

- **Did you follow the manufacturer's directions when adding detergent and fabric softener?** Measure detergent and fabric softener. Use enough detergent to remove soil and hold it in suspension. Dilute fabric softener and add to the rinse portion of a cycle only. Do not drip fabric softener on clothes.
- **Is there above average iron (rust) in water?** You may need to install an iron filter.
- **Did you properly sort the load?** Sort dark clothes from whites and lights.

- **Did you unload the washer promptly?** To avoid the transfer of dye, unload the washer as soon as it stops.

Load is wrinkled

- **Did you unload the washer promptly?** Unload the washer as soon as it stops.
- **Did you use the right cycle for the load being washed?** Use the cycle for Casual or Permanent Press clothes or another cycle with low spin speeds (if available) to reduce wrinkling.
- **Did you overload the washer?** The wash load must be balanced and not overloaded. Loads should move freely during washing.

To reduce wrinkling of permanent press clothes and some synthetic knits, use a large load size to provide more space.
- **Are the hot and cold water hoses reversed?** Check that the hot and cold water hoses are connected to the right faucets. See the Installation Instructions.

Load is tangled or twisted

- **Did you overload the washer?** The wash load must be balanced and not overloaded. Loads should move freely during washing.
- **Did you wrap items around the agitator?** Drop items loosely into the washer. Do not wrap items around the agitator.

Gray whites, dingy colors

- **Did you properly sort the load?** Transfer of dye can occur when mixing whites and colors in a load. Sort dark clothes from whites and lights.
- **Was the wash temperature too low?** Use hot or warm washes if safe for the load. Make sure your hot water system is adequate to provide a hot water wash.
- **Did you use enough detergent, or do you have hard water?** Use more detergent for washing heavy soils in cold or hard water.
- **Are the hot and cold water hoses reversed?** Check that the hot and cold water hoses are connected to the right faucets. See the Installation Instructions.

Garments damaged

- **Check the following:**
 - Were sharp items removed from pockets before washing? Empty pockets, zip zippers, snap or hook fasteners before washing.
 - Were strings and sashes tied to avoid tangling?
 - Were items damaged before washing? Mend rips and broken threads in seams before washing.
- **Did you overload the washer?** The wash load must be balanced and not overloaded. Loads should move freely during washing.
- **Did you add chlorine bleach properly?** Do not pour chlorine bleach directly onto load. Wipe up bleach spills. Undiluted bleach will damage fabrics. Do not place load items on top of the bleach dispenser when loading and unloading the washer (on some models).
- **Did you follow the manufacturer's care label instructions?**

المساعدة أو الخدمة

إذا كنت تحتاجين لقطع غيار

إذا كنت تحتاجين لطلب شراء قطع غيار، فإننا ننصحك باستخدام القطع التي يحددها المصنع فقط، حيث ستكون تلك القطع مناسبة بشكل أفضل لأنها مصنوعة بنفس الدقة المستخدمة لتصنيع كل جهاز WHIRLPOOL® جديد.

لإيجاد قطع الغيار في منطقتك:

اتصل بالبائع الذي اشتريت منه الغسالة، أو بالشركة التي تحددها Whirlpool لتقديم الخدمة.

قبل الاتصال طلباً للمساعدة أو الخدمة، نرجو مراجعة قسم "مشكلات وحلول"، فقد يوفر عليك نفقات الاتصال بالخدمة. أما إذا كنت لا تزالين بحاجة للمساعدة، فاتصلي بالبائع الذي اشتريت منه الغسالة، أو بشركة الخدمة المخصصة لشركة Whirlpool. وعند الاتصال، نرجو أن تذكري تاريخ الشراء واسم الموديل بالكامل فضلاً عن الرقم المسلسل للجهاز، حيث ستساعدنا هذه المعلومات على الاستجابة بشكل أفضل لطلبك.

سلامة الغسالة

إن سلامتك وسلامة الآخرين في غاية الأهمية.

لقد قدمنا العديد من رسائل السلامة في هذا الدليل، وعلى الجهاز. قم دائماً بالاطلاع على كافة رسائل السلامة وإتباعها.

هذا رمز تنبيه للسلامة.

ينبهك هذا الرمز للمخاطر المحتملة والتي قد تؤدي بحياتك أو تسبب الأذى لك وللآخرين.

تأتي جميع رسائل السلامة عقب رمز التنبيه للسلامة وإما كلمة "خطر" أو "تحذير". وتعني هاتان الكلمتان ما يلي:



قد تتعرض للوفاة أو الإصابة البالغة في حالة عدم إتباعك للإرشادات على الفور.

⚠️ خطر

قد تتعرض للوفاة أو الإصابة البالغة في حالة عدم إتباعك للإرشادات.

⚠️ تحذير

تدلك كافة الرسائل الخاصة بالسلامة حول المخاطر المحتملة، وتدل على كيفية الحد من احتمال التعرض للإصابة، كما تدلك على ما قد يحدث في حالة عدم إتباع الإرشادات.

إرشادات هامة للسلامة

تحذير: للحد من خطر الحريق، أو التعرض لصدمة كهربية، أو إلحاق الإصابة بالآخرين عند استخدام الغسالة، اتبع الاحتياطات الأساسية، بما يشمل التالي:

- اقرأ جميع الإرشادات قبل استخدام الغسالة.
- لا تغسل الأشياء التي سبق تنظيفها أو غسلها أو نقعها أو تلويثها بالبتترول، أو مواد الإذابة المستخدمة في التنظيف على الجاف، أو غيرها من المواد القابلة للاشتعال أو الانفجار لأنه قد يصدر عنها أبخرة قد تؤدي للاشتعال أو الانفجار.
- لا نصف البترول ولا مذيبيات التنظيف على الجاف ولا غيرها من المواد القابلة للاشتعال أو الانفجار إلى ماء الغسيل، حيث تتبعث عن هذه المواد أبخرة قد تؤدي للاشتعال أو الانفجار.
- في ظروف معينة قد ينبعث غاز الهيدروجين في جهاز يستخدم الماء الساخن ظل خارج نطاق الاستخدام لمدة أسبوعين أو أكثر. ويمثل الهيدروجين غازاً قابلاً للانفجار، وفي حالة عدم استخدام الجهاز طوال هذه الفترة، فيجب فتح جميع صناديق الماء الساخن وترك الماء ينساب ليضع دقاتك، وذلك قبل استخدام الجهاز، حيث سيؤدي ذلك للتخلص من أية كمية متراكمة من غاز الهيدروجين. وبما أن الغاز قابل للاشتعال، فلا تقم بالتدخين أو استخدام أي لهب مكتشف طوال هذه الفترة.
- لا تترك الأطفال يلعبون على الغسالة أو داخلها، وتعد الرقابة عن كثب للأطفال خطوة ضرورية عند استخدام الغسالة قرب الأطفال.

احفظ هذه الإرشادات

استخدام الغسالة

بدء تشغيل الغسالة

⚠ تحذير



خطر حدوث صدمة كهربية

- قم بالتوصيل في مأخذ متصل بطرف أرضي ذي 3 أسلاك.
 - لا تقم بإزالة الطرف الأرضي.
 - لا تستخدم محولاً للتيار.
 - لا تستخدم سلك تطويل.
- قد يؤدي عدم إتباع هذه الإرشادات إلى وقوع الوفاة أو اشتعال الحريق أو حدوث الصدمة الكهربائية.

⚠ تحذير



خطر اشتعال الحريق

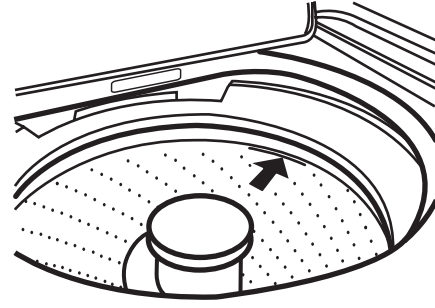
- لا تضع في الغسالة قطع الغسيل المبتلة بالبنزين أو غيرها من السوائل القابلة للاشتعال.
- لا توجد غسالة يمكنها إزالة الزيوت بشكل كامل.
- لا تقم بتجفيف أية منسوجات تعرضت إلى نوع من الزيوت عليها (بما يشمل زيوت الطهي).
- فالقيام بذلك قد يفضي إلى الوفاة أو الانفجار أو الحريق.

2. ضع كمية من الملابس المنفصلة من نفس النوع بعد فرزها في الغسالة.

- قم بتحميل الملابس بشكل متوازن للحفاظ على توازن الغسالة. وقم بخلط الملابس الكبيرة والصغيرة. حيث ينبغي للملابس أن تتحرك بسهولة في مياه الغسالة.

1. قم بمعايرة كمية المنظف وصيها في الغسالة. وفي حالة الرغبة، قم بإضافة مبيض لا يضر بالألوان في صورة مسحوق أو سائل.

- يجب ألا يتجاوز كم الملابس قمة السلة كما هو مبين، حيث يمكن للمبالغة في وضع الملابس إلى تدني مستوى التنظيف.

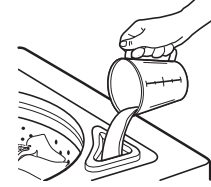


- 3. (اختياري) أضف كمية من كلور التبييض السائل.

ملاحظة: اتبع الإرشادات المقدمة من جهات تصنيع الملابس وكلور التبييض والخاصة بالاستخدام السليم. ويؤدي استخدام المبيض دون تخفيفه إلى إتلاف أية أنسجة بلاسماها، حيث يبدو أثر التلف في صورة قطع أو ثقوب أو تمزقات أو ضياع اللون، ومن الممكن ألا يظهر إلا بعد عدة مرات من الغسيل. لتجنب الانسكاب، استخدم كوباً به فوهة للصب ولا تترك المبيض يتطاير أو يتساقط أو يسيل على سلة الغسيل. قم دائماً بمعايرة كمية مبيض الكلور السائل، دون أن تلجأ للتخمين. ولا تستخدم أكثر من الكمية التي توصي بها جهة التصنيع لكمية كاملة من الغسيل، مع استخدام كمية أقل من المبيض عندما يكون حجم دفعة الغسيل أقل.

- الأسلوب الأول: باستخدام وحدة توزيع مبيض الكلور السائل (في بعض الموديلات)

- لا تستخدم إلا كلور التبييض السائل في وحدة التوزيع. ولا تستخدم هذه الوحدة لإضافة مسحوق الكلور أو المبيض الذي لا يضر بالألوان إلى دفعة الغسيل. قم بصب كمية مقاسة من كلور التبييض السائل في وحدة توزيع كلور التبييض السائل. يتم بعد ذلك إضافة المبيض إلى الغسالة وتخفيفه أوتوماتيكياً في الجزء الخاص بالغسيل من دورة التشغيل.



- الأسلوب الثاني: دون استخدام وحدة توزيع مبيض الكلور السائل (في بعض الموديلات)

- اترك الغسالة حتى تمتلئ وابدأ في تقليب دفعة الغسيل.
- أضف المبيض بعد بدء دورة الغسيل بخمس دقائق لتحقيق المستوى الأفضل من التنظيف، وبحيث يمكن إزالة المبيض في دورة الشطف. صب المبيض حول مروحة التقليل، وليس على دفعة الغسيل، وذلك لتجنب إتلاف الملابس أو غيرها من العناصر المضافة لدفعة الغسيل.

- 4. (اختياري) أضف محلول تنعيم الأنسجة السائل.

ملاحظة: لا تقم بسكب محلول تنعيم الأنسجة أو صبه على الأقمشة، فعند استخدامه دون تخفيف، فإنه قد يؤدي لترك بقع على الأنسجة. لذلك قم دائماً بتخفيف سائل تنعيم الأنسجة بالماء الدافئ. وقد يؤدي استخدام كمية زائدة من محلول تنعيم الأنسجة على بعض الأقمشة (مثل حفاظات الأطفال والمناشف) إلى إفقادها قدرتها على الامتصاص. وفي هذه الحالة، لا تستخدمه مع كل دفعة غسيل، أو استخدم كمية أقل منه في كل دفعة غسيل.

- الأسلوب الأول: باستخدام وحدة توزيع محلول تنعيم الأنسجة السائل (في بعض الموديلات)

- لا تستخدم إلا محلول تنعيم الأنسجة السائل في وحدة التوزيع. وقم بصب كمية مقاسة من محلول تنعيم الأنسجة السائل في وحدة التوزيع. تتم إضافة محلول التنعيم أوتوماتيكياً خلال الجزء الخاص بالشطف في دورة الغسيل. وعلبك بتخفيف محلول تنعيم الأنسجة السائل بماء وحدة التوزيع بالماء الدافئ حتى يصل السائل إلى الحافة الداخلية من الإطار. راقب الأسهم الدالة على الحد الأقصى للامتلاء.



- الأسلوب الثاني: دون استخدام وحدة توزيع محلول تنعيم الأنسجة السائل (في بعض الموديلات)

- في دورة الشطف النهائي فقط، قم بإضافة محلول تنعيم الأنسجة المخفف بنصف كوب إلى كوب (125 إلى 250 مللي لتر) من الماء الدافئ.

- 5. أغلق غطاء الغسالة. لن تقوم الغسالة بالتقليب أو التدوير أثناء فتح الغطاء.

- 6. قم بضبط مفتاح اختيار LOAD SIZE (حجم دفعة الغسيل) على الوضع المناسب لحجم دفعة الغسيل ونوع الأنسجة التي يتم غسلها.

- يمكنك تغيير حجم دفعة الغسيل بعد أن تبدأ الغسالة في الامتلاء، وذلك بتدوير مفتاح الاختيار على وضع مختلف.

- في الموديلات التي تتيح التحكم في حجم متغير لدفعة الغسيل أو منسوب المياه، ينبغي عليك تدوير المفتاح على الوضع RESET (إعادة الضبط)، ثم على الوضع المطلوب.

- 7. اختر درجة حرارة للغسيل على حسب نوع الأنسجة ونوع الاتساخ الذي يتم غسله. استخدم أكثر درجات حرارة مياه الغسيل دفناً وأماناً للأنسجة. واتبع الإرشادات المقدمة على ملصق الملابس.

يقوم مفتاح التحكم الآلي في درجة الحرارة (ATC) (في بعض الموديلات) باستشعار درجة حرارة الماء والمحافظة على ثباتها إلكترونياً بتنظيم الماء الساخن والبارد الوارد للجهاز.

- حتى في وضع الغسيل البارد، يدخل إلى الغسالة بعض الماء الساخن للحفاظ على حد أدنى من درجة الحرارة يبلغ 21 درجة مئوية (70 فهرنهايت).

يقوم مفتاح متابعة درجات الحرارة (Care Control Temps) - في بعض الموديلات - باستخدام مفتاح التحكم الآلي في درجة الحرارة (ATC) لاستشعار درجة حرارة الماء والمحافظة على ثباتها إلكترونياً بتنظيم الماء الساخن والبارد الوارد للجهاز. ويقدم مفتاح متابعة درجات الحرارة (Care Control Temps) درجات حرارة أعلى للغسيل لدورات الغسيل الشاقة الأكثر شدة، ودرجات حرارة أقل قليلاً في دورات غسيل قطع الغسيل الرقيقة والمخصصة للغسيل اليدوي، وذلك لتقديم درجة أفضل من العناية بالأنسجة.

دليل درجات الحرارة

درجة حرارة الغسيل	الأنسجة المقترحة
ساخن	البياضات والألوان الفاتحة
التحكم في مستوى العناية	الأنسجة المتينة نسب الاتساخ الشديد
دافئ	الألوان الساطعة
التحكم في مستوى العناية	نسب الاتساخ المتوسطة والخفيفة
فاتر	الألوان التي تسيل أو تبهت
	نسب الاتساخ الخفيفة
بارد	الألوان الغامقة التي تسيل أو تبهت
	نسب الاتساخ الخفيفة

ملاحظة: في درجات حرارة الغسيل بالماء الأبرد من 15.6 درجة مئوية (60 درجة فهرنهايت)، لا تنوب المنظفات جيداً. قد يكون من الصعب إزالة البقع. يمكن لبعض الأنسجة التسبب في الكرمشة والتويرير (تكوّن كرات صغيرة شبيهة بالوبر على سطح الملابس).

- 8. يمكنك تعديل طريقة الغسيل بإضافة خيارات للشطف إلى اختيارات دورات الغسيل. يوجد في هذا المفتاح أوضاع ضبط لما يلي:

- شطف إضافي - يؤدي تحديد هذا الخيار إلى تقديم دورة شطف ثانية. ويمكن إضافة تلك الدورة الثانية من الشطف إلى أية دورة غسيل.

- تنبيه صوتي - صوت يصدر في نهاية دورة الغسيل. ولا يمكن ضبط مستوى الصوت.

- شطف إضافي وتنبيه صوتي عند انتهاء الدورة - يجمع هذا الخيار كلاً من الشطف الإضافي والتنبيه الصوتي عند انتهاء الدورة في نهاية دورة الغسيل.



9. Fabric Select (تحديد النسيج) (في بعض الموديلات). تم تصميم كل وضع للنسيج للأنواع المختلفة من الأنسجة ومستويات الاتساخ.

10. اضغط مفتاح الميقاتي وأدره في اتجاه عقارب الساعة على دورة الغسيل المطلوبة. قم بتقليل وقت الغسيل عند استخدام وضع ضبط لمنسوب قليل من الوقت. واسحب مفتاح الميقاتي للخارج لبدء تشغيل الغسيل.

لإيقاف تشغيل الغسالة أو إعادة تشغيلها:

- لإيقاف تشغيل الغسالة في أي وقت، اضغط مفتاح الميقاتي.
- لإعادة تشغيل الغسالة، أغلق الغطاء (إذا كان مفتوحاً) واسحب مفتاح الميقاتي للخارج.

العناية بالغسالة

لاستخدام الغسالة مرة أخرى

1. اترك الماء ينساب خلال أنابيب الماء والخراطيم، ثم أعد توصيل خرطوم إدخال الماء. قم بفتح صنبوري الماء.

تحذير



خطر حدوث صدمة كهربائية

قم بالتوصيل في مأخذ متصل بطرف أرضي ذي 3 أسلاك.

لا تقم بإزالة الطرف الأرضي.

لا تستخدم محولاً للتيار.

لا تستخدم سلك تطويل.

قد يؤدي عدم إتباع هذه الإرشادات إلى وقوع الوفاة أو اشتعال الحريق أو حدوث الصدمة الكهربائية.

2. قم بتوصيل مقبس الغسالة أو توصيل التيار الكهربائي إليها.

3. قم بتشغيل الغسالة خلال دورة كاملة باستخدام كوب (250 مللي لتر) من المنظف لتنظيف المادة المانعة للتجمد.

التخزين أو عدم الاستخدام أو العناية بالجهاز في العطلات

لا تقم بتشغيل الغسالة إلا عندما تكون في المنزل. أما إذا كنت ستذهب لقضاء عطلة، أو لن تستخدم الغسالة لفترة مطولة من الوقت، فينبغي عليك القيام بما يلي:

1. قم بفك مقبس الغسالة أو فصل التيار الكهربائي عنها.

2. افصل مصدر المياه عن الغسالة، حيث يساعد ذلك على منع طفق المياه (بسبب زيادة ضغط المياه) أثناء عدم وجودك في المنزل.

تنظيف الغسالة

استخدم قطعة من القماش الناعم أو الرطب أو قطعة من الإسفنج لمسح أية بقع تنسكب مثل المنظفات أو المبيض وذلك من على الغسالة من الخارج

قم بتنظيف الغسالة من الداخل بخلط كوب من الماء (250 مللي لتر) من كلور التبييض وكوبين (500 مللي لتر) من المنظف. ثم قم بصب الخليط داخل الغسالة، وتركه يمر بدورة غسيل كاملة بالماء الساخن. كرر هذه العملية عند الحاجة.

قم بإزالة أية رواسب للماء العسر باستخدام المنظفات المبينة على أنها مناسبة للاستخدام مع الغسالة فقط.

تنظيف وحدة توزيع محلول تنعيم الأنسجة السائل (في بعض الموديلات):

1. قم بفك وحدة التوزيع بالإمساك برأسها بكلتا يديك والضغط عليها، مع دفعها لأعلى بإصبعي الإبهام.

2. قم بشطف وحدة التوزيع تحت الماء الدافئ، ثم أعد وضعها في مكانها.

ملاحظة: بعض الموديلات مجهزة بوحدة توزيع محلول تنعيم الأنسجة السائل. لتجنب إلحاق التلف بالغسالة أو الغسيل، لا تقم بغسل الملابس أثناء فك وحدة توزيع محلول تنعيم الأنسجة السائل، أو بإضافة المنظف أو المبيض لوحدة التوزيع، فهي مخصصة لمحلول التنعيم السائل فقط.

خرائط إدخال المياه

يجب استبدال خراطيم إدخال المياه بعد 5 سنوات من الاستخدام وذلك للحد من خطر حدوث عطب في الخراطيم. وينبغي إجراء فحص دوري لخراطيم المياه واستبدالها في حالة ظهور انبعاثات أو التواءات أو قطوع أو بلي أو حالات تسرب.

عند استبدال خراطيم إدخال المياه، يجب تعليم تاريخ الاستبدال على الملصق بقلم تحديد لا ينمحي.

نقل الجهاز وتخزينه

نظراً لأن بعض الماء قد يظل في الخراطيم، فقد يؤدي التجمد إلى إتلاف الغسالة. في حالة تخزين الغسالة أو نقلها في أجواء متجمدة، فيجب تهيئتها أولاً للتخزين.

تهيئة الغسالة للتخزين في الشتاء

1. قم بإغلاق صنبوري المياه، وفصل الماء عن خراطيم المياه مع تصفيته منه. قم بصب 1 لتر (1 كوانت) من سائل منع التجميد من نوع R.V. في السلة.

2. قم بتشغيل الغسالة على وضع الصرف والدوران لمدة 30 ثانية لخلط السائل المانع للتجمد والماء المتبقي.

3. قم بفك مقبس الغسالة أو فصل التيار الكهربائي عنها.

مشكلات وحلول

جرب أولاً الحلول المقدمة هنا، لأنها قد تجنبك تكاليف الاتصال بالخدمة...

تشغيل الغسالة

الغسالة لا تدور أو لا تمتلئ أو تقوم بالشطف أو التقليل، أو تتوقف عن العمل

تحذير



خطر حدوث صدمة كهربائية

قم بالتوصيل في مأخذ متصل بطرف أرضي ذي 3 أسلاك.

لا تقم بإزالة الطرف الأرضي.

لا تستخدم محولاً للتيار.

لا تستخدم سلك تطويل.

قد يؤدي عدم إتباع هذه الإرشادات إلى وقوع الوفاة أو اشتعال الحريق أو حدوث الصدمة الكهربائية.

- هل سلك الكهرباء متصل بالمأخذ ثلاثي السنون المتصل بطرف أرضي؟ قم بتوصيل سلك التيار في مأخذ متصل بطرف أرضي ذي 3 أسلاك.
 - هل تستخدم سلك تطويل؟ لا تستخدم سلك تطويل.
 - هل المؤشر الموجود على مفتاح الميقاتي مضبوط بشكل سليم على إحدى دورات التشغيل؟ أدر مفتاح الميقاتي على اليمين قليلاً واسحبه ليبدأ التشغيل.
 - هل فلتر ترشيح صمامات إدخال الماء مسدودة؟ أغلق الماء وقم بخلع خرطوم الإدخال من الغسالة. وقم بفك أية طبقات ترشيح أو جسيمات، ثم أعد تركيب الخرطوم، وافتح الماء وقم بالتحقق من وجود تسرب.
 - هل صنبور الماء الساخن والبارد مفتوحان؟ افتح المياه.
 - هل خرطوم إدخال المياه ملتوي؟ قم بفرد الخرطوم.
 - هل منسوب المياه منخفض للغاية، أو هل يبدو أن الغسالة لا تملأ بشكل كامل؟ قم مروحة التقليل أعلى كثيراً من أعلى منسوب المياه، ويمثل هذا وضعاً عادياً وضرورياً لتتحرك الملابس بحرية.
 - هل هناك فيوز منفجر في المنزل، أو هل حدث قصر في الدوائر الكهربائية (مس كهربائي)؟ قم باستبدال الفيوز أو أعد ضبط قاطع الدائرة الكهربائية. في حالة استمرار المشكلة، اتصل بكهربائي.
 - هل الغسالة في وقفة عادية في دورة الغسيل؟ تتوقف الغسالة لمدة دقيقتين خلال بعض دورات الغسيل. اترك الدورة تستمر، فبعض الدورات تمر بفترات من التقليل والنقع.
 - هل الغسالة مملوءة بما يفوق طاقتها؟ اغسل دفعات غسيل أقل.
 - هل الغطاء مفتوح؟ يجب أن يتم إغلاق الغطاء أثناء التشغيل، لن تقوم الغسالة بالتقليل أو التدوير أثناء فتح الغطاء.
- ### الغسالة لا تقوم بالصرف أو التدوير
- هل خرطوم الصرف مسدود، أو أن طرف خرطوم الصرف يزيد ارتفاعه عن 244 سم (96 بوصة) عن الأرض؟ راجع إرشادات التركيب للاطلاع على طريقة التركيب السليمة لخرطوم الصرف.
 - هل الغطاء مفتوح؟ يجب أن يتم إغلاق الغطاء أثناء التشغيل، لن تقوم الغسالة بالتقليل أو التدوير أثناء فتح الغطاء.

الغسالة ومكوناتها

تصدر ضوضاء

- هل دفعة الغسيل متوازنة والغسالة في وضع مستوي؟ ينبغي أن تكون دفعة الغسيل متوازنة ودون المبالغة في تحميلها. ويجب أن تكون الغسالة في وضع مستوي. كما ينبغي أن تكون القدمان الأماميتان في وضع التركيب السليم مع إحكام ربط الصواميل. أعد ضبط أرجل الاستواء الخلفية (عند الحاجة). انظر إرشادات التركيب.
- هل قمت بفك شريط الشحن الأصفر بالكامل ودبابيس التثبيت؟ انظر إرشادات التركيب.
- هل جميع التروس في وضع التعشيق (التركيب) بعد دورة الصرف وقيل الدوران، أم أن الجزء العلوي من مروحة التقليل يصدر صوتاً أثناء الغسيل؟ تمثل هذه الأسباب العادية لصدور الضوضاء عن الغسالة.

التسريب

- تحقق مما يلي:
 - هل خرطوم ملء المياه محكمة الربط؟
 - هل صواميل ربط خرطوم ملء الغسالة محكمة الربط؟
 - هل مشبك خرطوم الصرف في وضع التركيب السليم؟ انظر إرشادات التركيب.
- هل الحوض أو البالوعة مسدودة؟ يجب أن يكون الحوض ومواسير الصرف قادرين على تصريف على 64 لتراً (17 جالوناً) من الماء في الدقيقة.
- هل يتسرب الماء من حلقة حلة الغسيل أو من دفعة الغسيل؟ اضبط حلة الغسيل في وضع متوسط قبل بدء تشغيل الغسالة. ينبغي أن تكون دفعة الغسيل متوازنة ودون المبالغة في تحميلها. فقد تحيد دفعات ملء المياه أو الشطف عن دفعة الغسيل. ويجب أن تكون الغسالة في وضع مستوي. كما ينبغي أن تكون القدمان الأماميتان في وضع التركيب السليم مع إحكام ربط الصواميل. أعد ضبط أرجل الاستواء الخلفية (عند الحاجة). انظر إرشادات التركيب.
- افحص المواسير في المنزل للكشف عن وجود حالات تسرب.

سلة الغسيل مشقوقة

- هل تم سحب سلة الغسيل للأمام أثناء تحميل الغسيل؟ ادفع السلة إلى الوسط قبل بدء الغسيل.
- هل دفعة الغسيل متوازنة والغسالة في وضع مستوي؟ ينبغي أن تكون دفعة الغسيل متوازنة ودون المبالغة في تحميلها. ويجب أن تكون الغسالة في وضع مستوي. كما ينبغي أن تكون القدمان الأماميتان في وضع التركيب السليم مع إحكام ربط الصواميل. أعد ضبط أرجل الاستواء الخلفية (عند الحاجة). انظر إرشادات التركيب.
- سلة الغسيل تتحرك أثناء الغسيل. وهذا أمر عادي.

تشغيل مروحة الصرف

- قمة مروحة التقليل مفكوكة أو تتحرك في اتجاه واحد فقط. ويمثل ذلك أمراً عادياً.

وحدات التوزيع مسدودة أو تقوم بتسريب كلور التبييض

- هل اتبعت إرشادات جهة الصنع عند إضافة المنظف ومحلل تعقيم الأنسجة إلى وحدات التوزيع (في بعض الموديلات)؟ في وحدتي التوزيع ببطء. وامسح جميع البقع المنسكبة. وعليك بتخفيف محلل تعقيم الأنسجة في وحدة توزيع محلل تعقيم الأنسجة.
- هل وضعت مبييضاً في صورة مسحوق أو لا يضر بالألوان في وحدة توزيع كلور التبييض المسائل (في بعض الموديلات)؟ أضف محلل التبييض المسحوق أو في صورة سائل - والذي لا يضر بالألوان في السلة مباشرة. ولا تستخدم وحدة توزيع كلور التبييض لتبييض الألوان.

- هل هناك رغوة زائدة؟ قم دائما بقياس كمية المنظف. واتبع إرشادات جهة الصنع. إذا كان الماء لديك بالغ العسر، فلعك تحتاج لاستخدام كمية أقل من المنظف.

الغسالة تستمر في الامتلاء أو الصرف: الدورة تبدو عالقة

- هل قمت خرطوم الصرف أدنى من منسوب الماء في الغسالة؟ يجب أن تكون قمة الخرطوم أعلى من منسوب الماء في الغسالة لضمان التشغيل السليم. انظر إرشادات التركيب.
- هل خرطوم الصرف مربوط بإحكام زائد في الماسورة، أو أنه ملتصق بشرط فيها؟ يجب أن يكون خرطوم الصرف حر الحركة مع تثبيته بإحكام. ولا تغلق خرطوم الصرف بشرط. حيث يحتاج الخرطوم إلى جوة هوائية. انظر إرشادات التركيب.

درجة حرارة الغسيل أو الشطف ليست كما اخترتها

- هل خرطوما الماء البارد والساخن معكوسان؟ انظر إرشادات التركيب للاطلاع على المزيد من المعلومات. ومع تزايد معدل الغسيل، فقد تقل درجة حرارة الماء بالنسبة لدرجات الحرارة الساخنة والداخنة. ويمثل ذلك أمراً عادياً.

نتائج الغسالة

دفعلة الغسيل مبتلة أكثر من اللازم

- هل استخدمت دورة الغسيل المناسبة لدفعلة الغسيل التي يتم غسلها؟ اختر دورة بها سرعة دوران عالية (إن وجدت).
- هل تستخدم الشطف على البارد؟ إن الشطف بالماء البارد يترك الغسيل مبتلاً أكثر من الماء الساخن. ويمثل ذلك أمراً عادياً.

توجد رواسب أو نسالة على دفعلة الغسيل

- هل قمت بفرز الغسيل بشكل مناسب؟ قم بفرز القطع التي تفرز النسالة أو الوبر (مثل المناشف ونسيج الشانيل) عن القطع التي تعلق بها النسالة (مثل الأقمشة القطنية المضلعة والأنسجة الصناعية). وقم أيضاً بفرز الغسيل على حسب اللون.
- هل بالغت في تحميل الغسالة؟ يجب أن تكون دفعلة الغسيل متوازنة ودون المبالغة في تحميلها. حيث ينبغي أن تتاح للملابس حرية الحركة. ويمكن للنسالة أن تعلق في دفع الغسيل في حالة المبالغة في تحميل الغسيل. اغسل دفعات غسيل أقل.
- هل قمت باختيار منسوب الماء الصحيح؟ ينبغي أن يكون منسوب الماء مناسباً لحجم دفعلة الغسيل. حيث ينبغي للملابس أن تترك بحرية في الماء.
- هل استخدمت كمية مناسبة من المنظف؟ واتبع إرشادات جهة الصنع. استخدم كمية مناسبة من المنظف لإبقاء النسالة في الماء.
- هل قمت بتجفيف الغسيل على المنشر (حبل الغسيل)؟ في هذه الحالة، لك أن تتوقع ظهور بعض النسالة على الملابس.

تحقق مما يلي:

- هل كانت هناك أوراق أو مناديل ورقية في الجيوب؟
- هل كانت درجة حرارة الماء أقل من 15.6 درجة مئوية (60 فهرنهايت)؟ إن ماء الغسيل الذي تقل درجة حرارته عن 15.6 درجة مئوية (60 فهرنهايت) قد لا يؤدي لدوبان المنظف بالكامل.
- هل استخدمت الفترة المناسبة لدورة الغسيل لدفعلة الغسيل؟ إن تقليل فترة الغسيل (مدة الدورة) يمثل طريقة أخرى لتقليل النسالة.

توجد بقع على الدفعة

- هل اتبعت إرشادات جهة الصنع عند إضافة المنظف ومحلول تنعيم الأنسجة؟ قم بمعايرة كمية المنظف وسائل التنعيم. استخدم كمية كافية من المنظف لإزالة الأوساخ وإبقائه في وضع معلق (ذائب). قم بتخفيف محلول تنعيم الأنسجة وإضافته إلى جزء الشطف من دورة الغسيل فقط. ولا تقم بسكبه على الملابس.
- هل توجد نسبة حديد (صدأ) أعلى من المتوسط في الماء؟ قد تحتاج إلى تركيب مرشح لتصفية الحديد.
- هل قمت بفرز الغسيل بشكل مناسب؟ قم بفصل الملابس الداكنة عن البيضاء والفاخرة اللون.

- هل أسرعت بتفريغ الغسالة؟ لتجنب انتقال الصبغات، قم بتفريغ الغسالة بمجرد توقفها عن العمل.

الغسيل به تجاعيد (كمرشحات)

- هل أسرعت بتفريغ الغسالة؟ قم بتفريغ الغسالة بمجرد توقفها عن العمل.
- هل استخدمت دورة الغسيل المناسبة لدفعلة الغسيل التي يتم غسلها؟ استخدم الدورة المناسبة للملابس الكاجوال (غير الرسمية) أو المكوية بشكل دائم، أو استخدم دورة أخرى ذات سرعات دوران أقل (إن كانت متاحة) للحد من التجاعيد.
- هل بالغت في تحميل الغسالة؟ يجب أن تكون دفعلة الغسيل متوازنة ودون المبالغة في تحميلها. ينبغي لدفعات الغسيل أن تتحرك بحرية أثناء الغسيل.
- وللحد من تجعيد الملابس ذات الكي الدائم وبعض الخياطات الصناعية، استخدم دفعات أكبر حجماً من الغسيل لتوفير مساحة أكبر.
- هل خرطوما الماء البارد والساخن معكوسان؟ تحقق من أن خرطومي الماء الساخن والبارد متصلان بالصنوبرين الصحيحين. انظر إرشادات التركيب.

دفعلة الغسيل متشابكة أو ملتوية

- هل بالغت في تحميل الغسالة؟ يجب أن تكون دفعلة الغسيل متوازنة ودون المبالغة في تحميلها. ينبغي لدفعات الغسيل أن تتحرك بحرية أثناء الغسيل.
- هل قمت بلف قطع الغسيل حول مروحة التقليل؟ أسقط قطع الغسيل بحريتها في الغسالة. ولا تلف قطع الغسيل حول مروحة التقليل.

البياضات يميل لونها للرمادي والألوان تبدو داكنة

- هل قمت بفرز الغسيل بشكل مناسب؟ قد يحدث انتقال الصبغات عند خلط قطع الغسيل البيضاء والملونة في دفعلة الغسيل. قم بفصل الملابس الداكنة عن البيضاء والفاخرة اللون.
- هل كانت درجة حرارة الغسيل بالغة الانخفاض؟ استخدم الغسيل الساخن أو الفاتر إذا كان أمناً لدفعلة الغسيل. وتأكد من أن وصلة الماء الساخن كافية لإجراء الغسيل بالماء الساخن.
- هل استخدمت ما يكفي من المنظف، أو هل الماء لديك عسر؟ استخدم كمية أكبر من المنظف لغسيل نسب الاتساخ الشديدة في الماء البارد أو العسر.
- هل خرطوما الماء البارد والساخن معكوسان؟ تحقق من أن خرطومي الماء الساخن والبارد متصلان بالصنوبرين الصحيحين. انظر إرشادات التركيب.

الملابس تالفة

تحقق مما يلي:

- هل كانت هناك أجسام حادة تم إخراجها من الجيوب قبل الغسيل؟ قم بتفريغ الجيوب وإغلاق السوست (السحابات) وإغلاق أزرار الكيس أو المشابك قبل الغسيل.
- هل كانت شرائط التثبيت الخشنة مثبتة لتجنب تشابكها؟
- هل تعرضت قطع الغسيل للتلف قبل الغسيل؟ قم بإصلاح القطوع والخياطات المقطوعة قبل إجراء الغسيل.
- هل بالغت في تحميل الغسالة؟ يجب أن تكون دفعلة الغسيل متوازنة ودون المبالغة في تحميلها. ينبغي لدفعات الغسيل أن تتحرك بحرية أثناء الغسيل.
- هل قمت بإضافة كلور التبييض بشكل مناسب؟ لا تقم بصب كلور التبييض على دفعلة الغسيل مباشرة. وامسح البقع المنسكية من المبيض. فقد يؤدي كلور التبييض غير المخفف إلى إتلاف الأنسجة. ولا تضع قطع الغسيل على وحدة توزيع المبيض عند تحميل الغسالة أو تفريغها (في بعض الموديلات).
- هل اتبعت إرشادات العناية المقدمة من جهة الصنع على الملصق؟

W10221757A

© 2008 Whirlpool Corporation.
All rights reserved.

© 2008 شركة Whirlpool Corporation.
جميع الحقوق محفوظة.

© Registered Trademark/TM Trademark of Whirlpool, U.S.A.
© علامة تجارية مسجلة/ TM علامة تجارية لشركة Whirlpool، بالولايات المتحدة الأمريكية.

8/08
Printed in U.S.A.

طبع في الولايات المتحدة الأمريكية