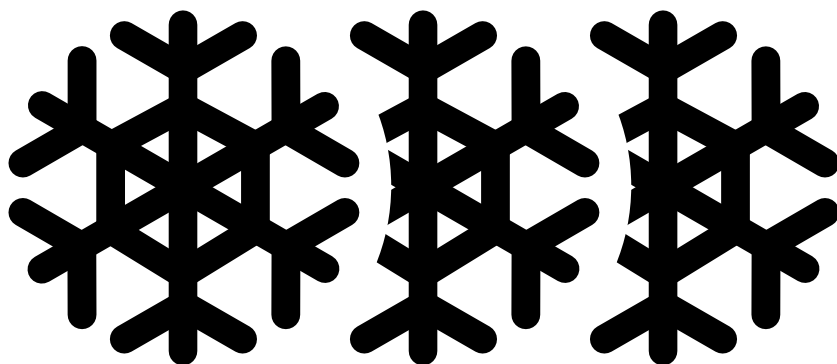

TAPPAN

***TOP FREEZER
FROST FREE***

REFRIGERATOR

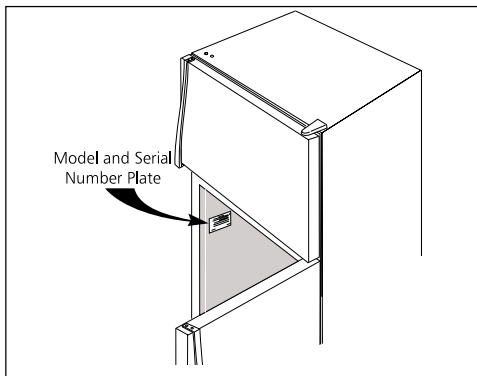


READ AND SAVE THESE INSTRUCTIONS

OWNER'S GUIDE

P/N 218972402 (0101)

Product Registration



Versión en español

Si desea obtener una copia en español de este Manual del Usuario, sírvase escribir la dirección que se incluye a continuación. Solicite la P/N 218972401.

Spanish Owner's Guides
Electrolux Home Products
P.O. Box 212378
Augusta, GA 30917

This **Owner's Guide** will instruct you on how to properly operate and care for your product. Please read through the information contained in your literature pack to learn more about your new appliance.

Record Your Model and Serial Numbers

Record the Model No. and Serial No. of this refrigerator in the spaces provided below. These numbers are found on the serial plate located on top left wall of refrigerator compartment.

Model No. _____

Serial No. _____

Register Your Product

The self-addressed PRODUCT REGISTRATION CARD (shown left) should be filled in completely, signed and returned to Electrolux Home Products

Contents

This Owner's Guide provides specific operating instructions for your model. Use refrigerator only as instructed in this Owner's Guide.

2	Product Registration
3	Important Safety Instructions
3	For Your Safety
3	Child Safety
3	Electrical Information
3	Other Precautions
4	First Steps
4	Location
4	Installation
4	Door Opening
4	Leveling
4	Cleaning
5	Connecting Ice Maker To Water Supply
6	Energy Saving Ideas
6	Setting the Controls
6	Temperatures
6	Moisture Reduction Switch
7	Fresh Food Storage
8-9	Care and Cleaning
8	Inside
8	Outside
8	Replacing Light Bulb
9	Vacation and Moving Tips
9	Automatic Ice Maker
9	Ice Maker Tips
10-12	Door Reversal Instructions
13	Refrigerator Toe Grille Assembly Instructions
14-16	Avoid Service Checklist
16	Normal Operating Sounds
17	Warranty
18	Service Information (Canada)

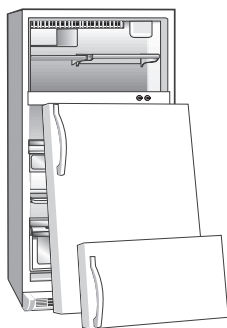
Important Safety Instructions

Proper Disposal of Your Refrigerator/Freezer

⚠️ WARNING Risk of child entrapment. Child entrapment and suffocation are not problems of the past. Junked or abandoned refrigerators or freezers are still dangerous — even if they will sit for "just a few days." If you are getting rid of your old refrigerator or freezer, please follow instructions below to help prevent accidents.

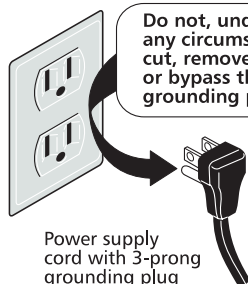
Before you throw away your old refrigerator/freezer:

- Remove doors.
- Leave shelves in place, so children may not easily climb inside.



⚠️ WARNING Avoid fire hazard or electric shock. Do not use an extension cord or an adapter plug. Do not remove any prong from the power cord.

Grounding type wall receptacle



Read all instructions before using this refrigerator.

⚠️ WARNING For Your Safety

Do not store or use gasoline or other flammable vapors and liquids in the vicinity of this or any other appliance. Read product labels for flammability and other warnings.

⚠️ WARNING Child Safety

- Destroy carton, plastic bags, and any exterior wrapping material immediately after the refrigerator is unpacked. Children should never use these items for play. Cartons covered with rugs, bedspreads, plastic sheets or stretch wrap may become airtight chambers and can quickly cause suffocation.
- Remove all staples from the carton. Staples can cause severe cuts and destroy finishes if they come in contact with other appliances or furniture.
- An empty, discarded ice box, refrigerator or freezer is a very dangerous attraction to children. **Remove the door of any appliance that is not in use, even if it is being discarded.**

⚠️ WARNING Electrical Information

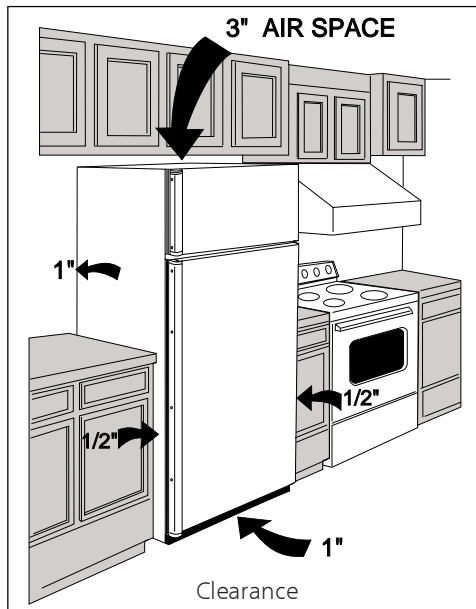
These guidelines must be followed to ensure that safety mechanisms in the design of this refrigerator will operate properly.

- **The refrigerator must be plugged into its own 115 Volt, 60 Hz, AC only electrical outlet.** The power cord of the appliance is equipped with a 3-prong grounding plug for your protection against shock hazards. It must be plugged directly into a properly grounded 3-prong receptacle. The receptacle must be installed in accordance with local codes and ordinances. Consult a qualified electrician. **Do not use an extension cord or an adapter plug.**
- If voltage varies by 10 percent or more, performance of your refrigerator may be affected. Operating the refrigerator with insufficient power can damage the compressor. Such damage is not covered under your warranty. If you suspect your voltage is high or low, consult your power company for testing.
- To prevent the refrigerator from being turned off accidentally, do not plug the unit into an outlet controlled by a wall switch or pull cord.
- Do not pinch, knot, or bend the power cord in any manner.

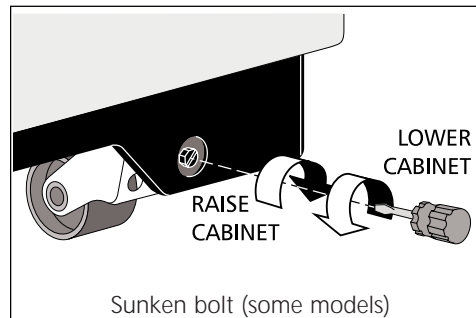
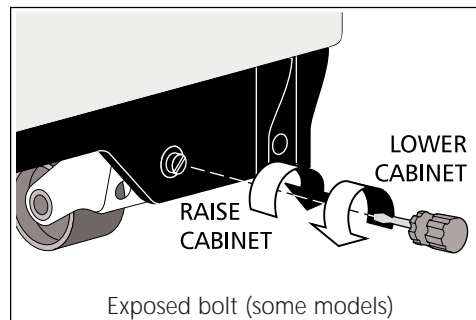
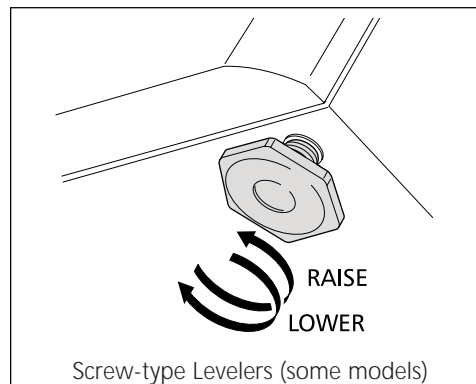
⚠️ WARNING Other Precautions

- Never unplug the refrigerator by pulling on the power cord. Always grip the plug firmly and pull straight out from the receptacle.
- To avoid electrical shock, unplug the refrigerator before cleaning and before replacing a light bulb. **NOTE:** Turning the control to OFF turns off the compressor, but does not disconnect power to the light bulb or other electrical components.
- Do not operate the refrigerator in the presence of explosive fumes.
- If the refrigerator has an automatic ice maker, avoid contact with any moving parts.

First Steps



Proper air circulation and leveling will ensure efficient operation.



Before starting refrigerator, follow these important first steps:

Location

- Choose a place that is near a grounded electrical outlet. DO NOT use an extension cord or an adapter plug.
- If possible, place refrigerator out of direct sunlight and away from range, dishwasher, or other heat sources.
- Refrigerator must be installed on a floor that is level and strong enough to support a fully loaded refrigerator.
- Consider water supply availability for models equipped with an automatic ice maker.

Installation

- Do not install refrigerator where temperature will drop below 60°F (15°C) or rise above 110°F (43°C). The compressor will not be able to maintain proper temperatures.
- Allow space around unit for good air circulation. Leave a 1 inch (25 mm) space behind and a 3 inch (75 mm) space above refrigerator for adequate circulation.
- In a recessed installation, allow an extra 1/2 inch (10-15 mm) on each side for installation ease.
- For best circulation, elevate unit 1 inch (25 mm) from floor, especially if floor is carpeted.

Door Opening

Doors should open to allow easy access to a counter when removing food.

- Do not position refrigerator so you have to walk around refrigerator doors.
- Reverse doors if necessary. See "Door Reversal Instructions."

Leveling

All four corners of refrigerator must rest firmly on a solid floor. Some models are equipped with adjustable screw-type levelers. Others are equipped with rollers. If your refrigerator did not come with rollers, they can be purchased from your dealer.

Remove toe grille (some models). See Toe Grille Instructions on page 13.

- **To adjust screw-type levelers (some models):** Tip cabinet back slightly and raise adjusting bolts as needed.
- **To adjust front rollers (some models):** Use a screwdriver, 3/8" socket wrench, or nutdriver to adjust rollers as shown.

RAISE THE FRONT of cabinet enough so doors will close freely when opened halfway. Level cabinet side to side.

Cleaning

- Wash the inside, all removable parts, and the outside with mild detergent and warm water. Wipe dry. **Do not use harsh cleaners on these surfaces.**
- Do not use razor blades or other sharp instruments that can scratch appliance surface, when removing adhesive labels. Any glue left from tape or energy label can be removed with a mixture of warm water and mild detergent, or— touch glue with sticky side of the tape already removed.
- **Do not remove serial plate.**

Connecting Ice Maker to Water Supply

⚠ WARNING To avoid electric shock, which can cause death or severe personal injury, disconnect the refrigerator from electrical power before connecting a water supply line to the refrigerator.

⚠ CAUTION To Avoid Property Damage:

- Copper tubing is recommended for the water supply line. Water supply tubing made of 1/4" plastic is not recommended since it greatly increases the potential for water leaks. Manufacturer will not be responsible for any damage if plastic tubing is used for supply line.
- **DO NOT** install water supply tubing in areas where temperatures fall below freezing.
- Connect the ice maker to a potable water source that is not tied into a water softening system. Chemicals from the softener may damage the ice maker, causing it to malfunction.

IMPORTANT:

Ensure that your water supply line connections comply with all local plumbing codes.

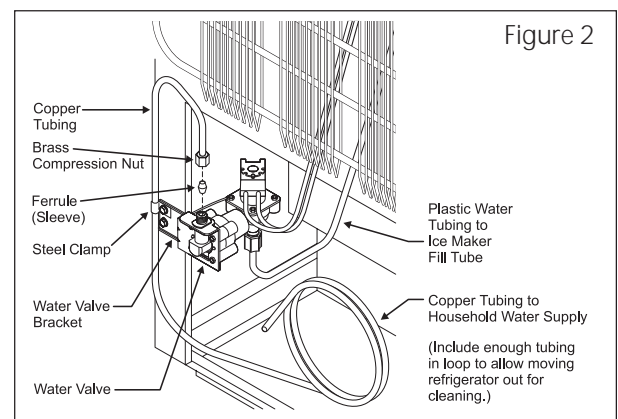
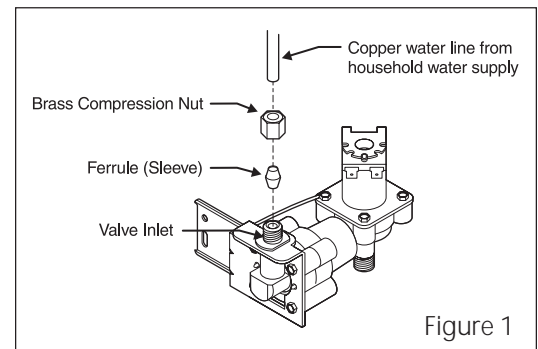
Before Installing The Water Supply Line, You Will Need

- **Basic tools:** adjustable wrench and standard, flat blade screwdriver.
- Access to a household **cold water line** with water pressure between 20 and 120 psi.
- A water supply line made of 1/4 inch (6.4 mm) OD, copper tubing. To determine the length of copper tubing needed, you will need to measure the distance from the ice maker inlet valve at the back of the refrigerator to your cold water pipe. Then add approximately 7 feet (2.1 meters), so the refrigerator can be moved out for cleaning. See Figure 1.
- A shutoff valve to connect the water supply line to your household water system. (**DO NOT** use a self-piercing type shutoff valve.)
- A compression nut and ferrule (sleeve) for connecting the water supply line to the ice maker inlet valve.

NOTE: Water line kit number 5303917950, available from your appliance dealer at additional cost, contains 25 feet (7.6 meters) of 1/4" OD copper tubing, a saddle type shutoff valve (nonpiercing), (2) 1/4" brass compression nuts, (2) ferrules/sleeves, and instructions for installing a water supply line.

To Connect Water Supply Line To Ice Maker Inlet Valve

1. Disconnect refrigerator from electric power supply.
2. Place end of water supply line into sink or bucket. Turn ON water supply and flush supply line until water is clear. Turn OFF water supply at shutoff valve.
3. Unscrew plastic cap from water valve inlet (some models) and discard cap.
4. Slide brass compression nut, then ferrule (sleeve), onto water supply line, as shown in Figure 2.
5. Push water supply line into water valve inlet as far as it will go (1/4 inch). Slide ferrule (sleeve) into valve inlet and finger tighten compression nut onto valve. Tighten another half turn with a wrench; **DO NOT** over tighten.
6. With steel clamp and screw, secure water supply line to rear panel of refrigerator at location shown in Figure 1.
7. Coil excess water supply line (about 2 1/2 turns) behind refrigerator as shown in Figure 1 and arrange coils so they do not vibrate or wear against any other surface.
8. Turn ON water supply at shutoff valve and tighten any connections that leak.
9. Reconnect refrigerator to electric power supply.
10. To turn ice maker on, lower wire signal arm. (See ice maker front cover for on/off position of arm.)



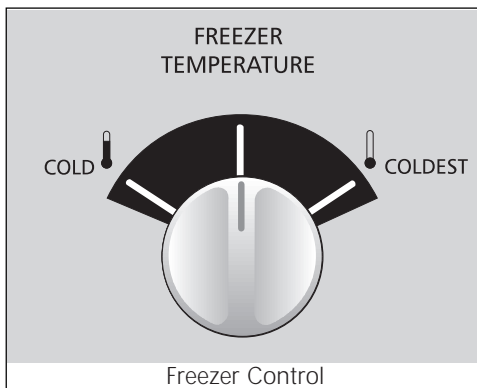
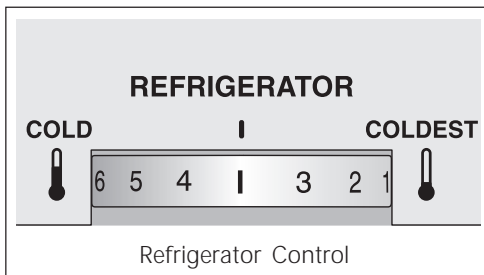
It takes approximately 24 hours for the ice maker to begin producing ice. Air in new plumbing lines may cause ice maker to cycle two or three times before making a full tray of ice. New plumbing may cause ice to be discolored or have poor flavor. Discard ice made during the first 24 hours.

Energy Saving Ideas



- Install refrigerator in coolest part of room, out of direct sunlight, and away from heating ducts or registers. Do not place refrigerator next to heat-producing appliances such as a range, oven, or dishwasher. If this is not possible, a section of cabinetry, or an added layer of insulation between the two appliances will help refrigerator operate more efficiently.
- Level refrigerator so doors close tightly.
- Refer to this Owner's Guide for suggested refrigerator settings.
- Cleaning condenser regularly will help refrigerator run more efficiently. See Outside in "Care and Cleaning" section.
- Do not overcrowd refrigerator, or block cold air vents. Doing so causes refrigerator to run longer and use more energy. Shelves should not be lined with aluminum foil, wax paper, or paper toweling. Liners interfere with cold air circulation, making refrigerator less efficient, which could cause food spoilage.
- Cover foods, and wipe containers dry before placing them in refrigerator. This cuts down on moisture build-up inside unit.
- Organize refrigerator to reduce door openings. Remove as many items as needed at one time, and close door as soon as possible.

Setting The Controls



Cool Down Period

To ensure safe food storage, allow the refrigerator to operate with the doors closed for at least 8 to 12 hours before loading with food.

Refrigerator and Freezer Controls

- To start out, set control dials to the midpoint for a trial period of 24 hours.

Temperatures

- After 24 hours, **adjust the controls as needed. Adjust temperatures one number at a time.** For colder temperatures, turn the dial toward COLDEST. For warmer temperatures, turn the dial toward COLD. The temperature will increase or decrease, but not necessarily by 1, 2, or 3 degrees.

An adjustment made to one compartment may require an adjustment to the other.

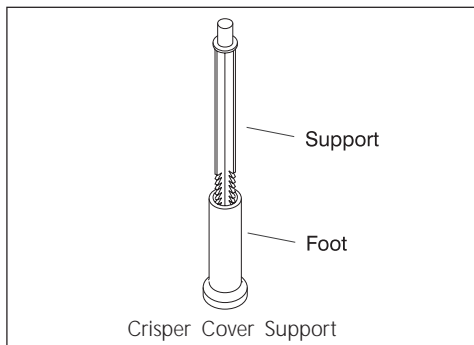
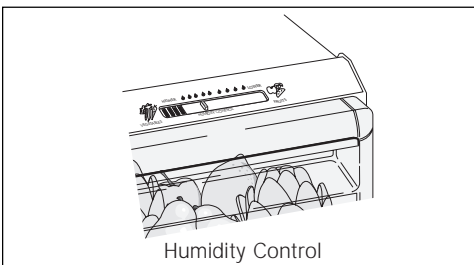
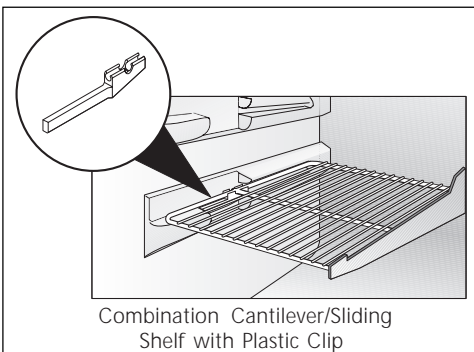
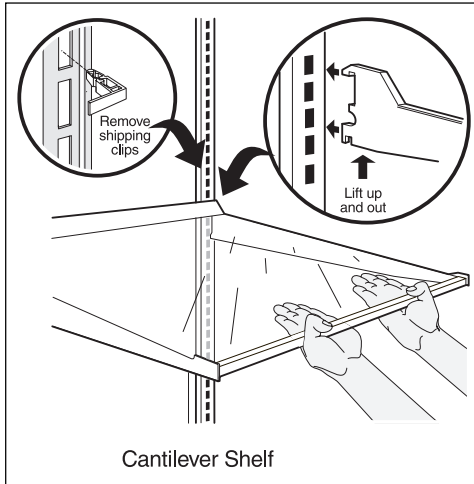
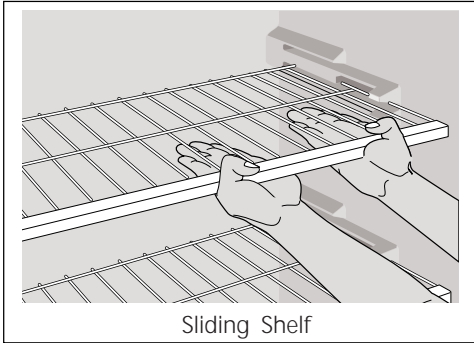
- Turning the refrigerator control will change the temperature in **BOTH** compartments. **If the refrigerator control is turned to OFF, cooling stops in both compartments.**
- Turning the freezer control will change only the temperature in the freezer compartment.

To maintain temperatures, a fan circulates air in the refrigerator and freezer compartments. For good circulation, do not block cold air vents with food items.

Moisture Reduction Switch (some models)

If moisture forms on the metal between the two doors, set the Moisture Reduction Switch (located on the control box in the refrigerator compartment) to the "ON" position. A heater will warm the surface and allow moisture to evaporate.

Fresh Food Storage



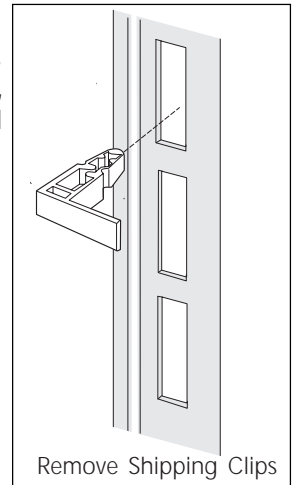
Shelf Adjustment

Refrigerator shelves are easily adjustable to suit individual needs. Some models have sliding shelves, others have cantilever shelves. Before adjusting shelves, remove all food. Remove and discard shipping clips wedged into the cantilever rail above the shelf hook (see below). These clips stabilize the shelves during shipping.

To adjust sliding shelves, remove by pulling forward to the stop position, then lift front edge up and pull out. Replace on any pair of rails by reversing this procedure.

To adjust cantilever shelves (shelves supported at the rear of the refrigerator), lift the back of the shelf up and out. Replace shelf by inserting hooks at rear into wall bracket. Lower and lock into position.

To adjust combination cantilever/sliding shelves, remove shelf by lifting hooks up and out of rear wall bracket. Next flex plastic clip towards center of refrigerator, and pull shelf straight out. Replace shelf by sliding plastic clip past side wall support. Then lock hooks at rear into wall bracket. **Note:** Plastic clip will automatically fit securely against side wall.



Door Storage

Door racks allow convenient storage of jars, bottles, and cans. Items used often are available for quick selection. Some models have door racks which can accommodate gallon-size plastic drink containers and economy size jars and containers which are available today. Some racks are removable and adjustable for maximum efficiency.

NOTE: When storing gallon-sized items on lower door racks, do not position meat pan in its lowest possible position. The meat pan handle or shelving may interfere with the door closing.

The dairy compartment is warmer than the general food storage section, and is intended for short term storage of cheese, spreads, or butter.

Crispers

The crispers, located under the bottom refrigerator shelf, are designed for storing fruits, vegetables, and other fresh produce. Wash items in clear water, and remove excess water before placing in the crispers. Items with strong odors or high moisture should be wrapped before storing.

The Humidity Control (some models) allows you to adjust the humidity within the crisper drawer. This can extend the life of fresh vegetables, which keep best in high humidity. Leafy vegetables, however, keep best when stored with Humidity Control set on HIGH, or in a drawer without a Humidity Control. This keeps incoming air to a minimum and maintains maximum moisture content.

Crisper Cover Support (some models)

The *Crisper Cover Support*, located between the two Crisper drawers, is shipped raised from the liner floor. This prevents damage to the liner floor during shipping. Once your refrigerator has been installed in its final location, the *Foot* of the *Crisper Cover Support* must be lowered to prevent bowing in the middle of the Crisper Cover, when food is placed on it.

Adjusting the Foot of the Crisper Cover Support:

1. To **lower** the *Foot*, rotate it the clockwise direction until it rests on the liner floor.
2. To **raise** the *Foot*, rotate it in the counterclockwise direction.

Meat Pan (some models)

Some models are equipped with a Meat Pan that can be positioned below any refrigerator shelf. Use this pan for short term storage of bulk meat items. If meats are to be kept longer than 1 or 2 days, they should be frozen.

Care and Cleaning

Keep your refrigerator and freezer clean to prevent odor build-up. Wipe up any spills immediately, and clean both sections at least twice a year. **Never** use metallic scouring pads, brushes, abrasive cleaners or strong alkaline solutions on any surface. **Do not** wash any removable parts in a dishwasher.

Always unplug power cord from wall outlet before cleaning. Turning the control to OFF does not disconnect power to controls, light bulb, or other electrical components.

Inside

Wash inside surfaces of refrigerator and freezer with a solution of 2 tablespoons baking soda in 1 quart warm water. Rinse and dry thoroughly. **Be sure to wring excess water out of sponge or cloth before cleaning around controls, light bulb, or any electrical parts.**

Wash removable parts such as shelves and drawers with baking soda solution or mild detergent and warm water. **Do not use harsh cleaners on these surfaces.** Rinse and dry thoroughly. Clean door gaskets with mild suds, rinse with clear water, and wipe dry. Do not use razor blades or other sharp instruments that can scratch appliance surface when removing adhesive labels. Any glue left from tape or energy label can be removed with a mixture of warm water and mild detergent, or— touch glue with sticky side of the tape already removed. **Do not remove serial plate.**

Outside

Wash cabinet and handles with warm water and mild liquid detergent. Rinse well and wipe dry with a clean soft cloth.

When moving refrigerator, pull straight out. Do not shift refrigerator from side to side as this may tear or gouge floor covering. If refrigerator has an automatic ice maker, be careful not to move refrigerator beyond plumbing connections.

Periodically clean condenser (black tubes and wires on the back of refrigerator). Using a vacuum with dusting tool attachment, vacuum coils to remove dust build-up. Do not allow lint or dust to accumulate on coils.

The defrost water pan is located at the bottom rear of refrigerator, on top of compressor (shown left). The pan should be cleaned regularly. Wipe clean with a damp cloth.

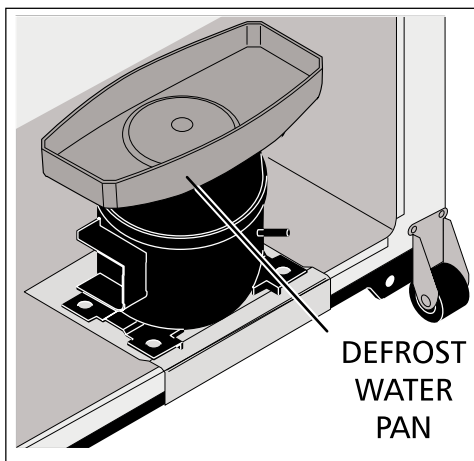
Replacing Light Bulb

To replace light bulb:

1. Unplug refrigerator.
2. Wear gloves as protection against possible broken glass.
3. Replace old bulb with an appliance bulb of the same wattage.
4. Remember to plug refrigerator back in.

CAUTION Damp objects stick to cold metal surfaces. Do not touch refrigerated surfaces with wet or damp hands.

CAUTION To avoid damage, and help refrigerator run as efficiently as possible, clean condenser regularly.



Care and Cleaning

(continued)

Vacation and Moving Tips

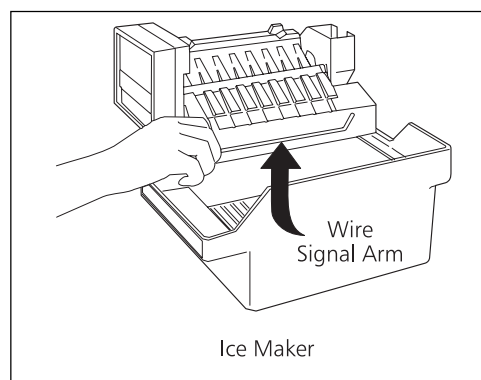
Short vacations: Leave refrigerator operating during vacations of 1 to 3 weeks. Use up all perishable items from the refrigerator section. Wrap and store other items in the freezer. If the unit has an automatic ice maker, turn off the ice maker.

Long vacations: Remove all food and ice if you will be gone 1 month or more. Turn the control to OFF and disconnect the power. If the unit has an automatic ice maker, turn off the ice maker and turn the water supply valve to the closed position. Defrost and clean the interior thoroughly. Leave both doors open to prevent odor and mold buildup. Block open if necessary.

Moving: When moving refrigerator, follow these guidelines to prevent damage:

- Remove all food and other items from both refrigerator and freezer compartments. Empty ice storage bin. Defrost and clean interior thoroughly.
- If a hand truck is used in moving, load refrigerator from the side.
- Turn front rollers as far up as possible (some models). This will protect them during sliding or moving.
- Cabinet should be well padded and handled with care. **Do not drop.**

Automatic Ice Maker



If your refrigerator has an automatic ice maker, it will provide a continuous supply of ice for normal use. The automatic ice maker is an optional accessory that may be installed in most models at any time. Call your local dealer for installation.

After the plumbing connections have been completed, the water supply valve must be opened. Place the ice container under the ice maker, pushing it as far back as possible. Lower the wire signal arm to its "down" or ON position. Because of new plumbing connections, the first production of ice cubes may be discolored or have an odd flavor. Throw ice away until the cubes made are free of discoloration and taste.

CAUTION Remember that water quality determines your ice quality. It is best to connect ice maker to water that is not softened. Chemicals from a softener that is not working properly can damage the ice maker. If ice maker is connected to soft water, ensure softener is maintained and working properly.

To stop ice maker, lift wire signal arm until it clicks and locks in the "up" or OFF position. The ice maker turns off automatically when ice container is full. If your model has an adjustable freezer shelf, place shelf so wire signal arm will hit the ice when ice container is full.

Ice Maker Tips

1. Ice stored too long may develop an odd flavor. Empty the container, and be sure wire signal arm is in its "down" or ON position. Ice maker will then produce more ice.
2. Occasionally shake the container to keep ice separated.
3. Keep wire signal arm in its "up" or OFF position until refrigerator is connected to the water supply, or whenever water supply is turned off.
4. **Certain sounds are normal when the ice maker is operating.** They are:
 - Motor operation
 - Ice being loosened from tray
 - Ice being dropped into container
 - Running water
 - Water valve opening and closing

For more information on these operations, see "Normal Operating Sounds."

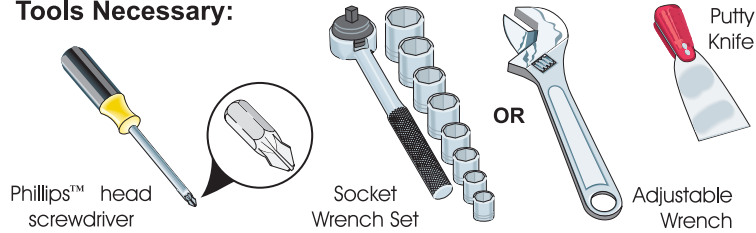
5. Wash ice container in warm water with mild detergent. Rinse well and dry.
6. Stop ice maker when cleaning freezer, or for short vacations.
7. If ice maker will be turned off for a long period of time, turn water supply valve to the closed position.

Door Reversal Instructions

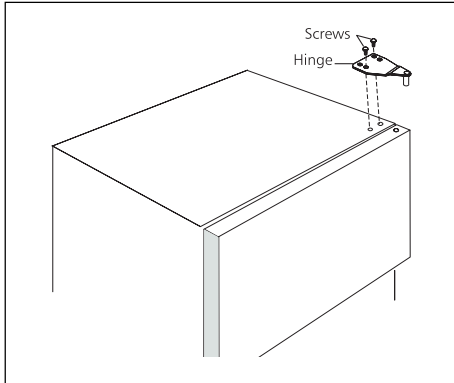
Your refrigerator is equipped with reversible door hinges. Hinging of the door can be changed to the opposite side any time you wish. An envelope containing extra plastic hole plugs is included in some models. Turn the refrigerator control to OFF. Remove all food, bottles, and other items from the door. **Begin with freezer door.** Completely remove one door before beginning the other.

NOTE: Some models have "pocket" handles, which are recessed into the side of the door. On these models, only the hinges will need to be reversed.

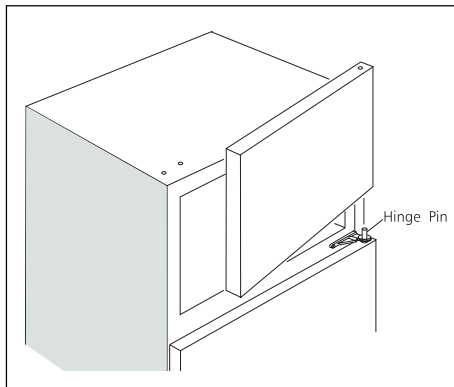
Tools Necessary:



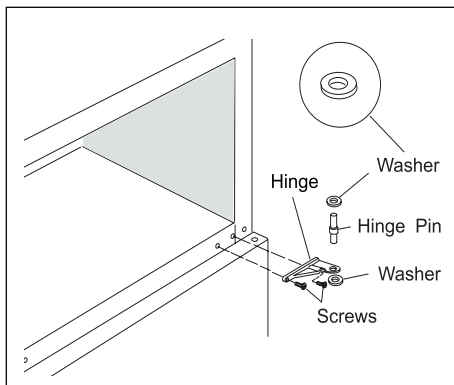
1. Refer to the Toe Grille Instructions on page 13 to remove the Toe Grille (some models). Snap off hinge cover at top of cabinet (some models). With the freezer door closed, remove the two screws attaching upper hinge to cabinet. Lift the hinge up and off. **Be sure to save screws and hinge for reassembly later.**



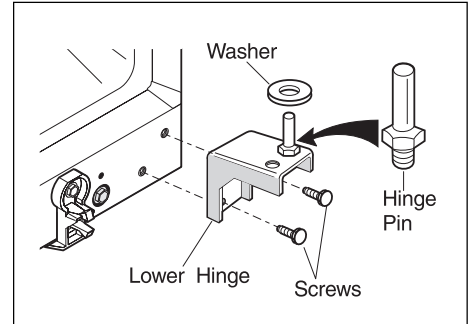
2. Open the freezer door enough to allow it to be lifted off the center hinge.



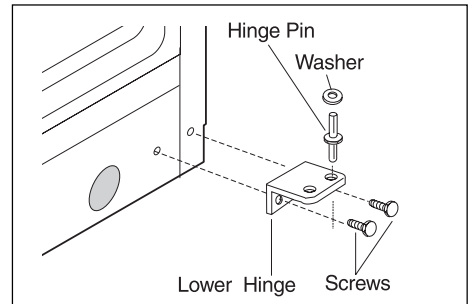
3. With the refrigerator door closed, remove center hinge pin. (Note the arrangement of the upper and lower washers (some models) on the hinge pin. The washers must be reassembled later in the same manner.) Open refrigerator door enough to allow door to be lifted off the lower hinge. Remove the two screws attaching the center hinge. The third outermost screw under the center hinge should be left in place. **Save hinge, pin, and washers (some models) for reassembly later.** Reinstall screws in original holes.



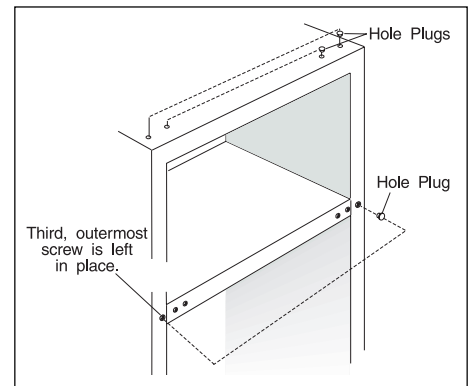
4. Remove hinge pin, hinge, and the two screws attaching the lower hinge. **Save the hinge, hinge pin, washer (some models) and screws for reassembly later.**



OR

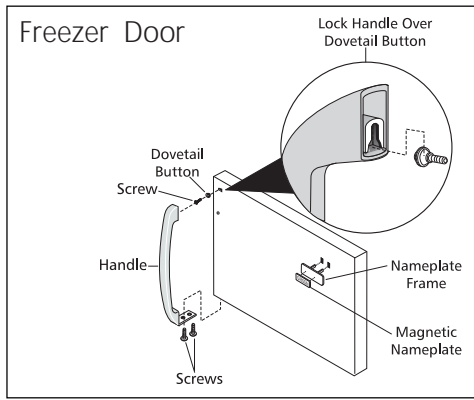


5. Carefully remove the hole plugs from the hinge holes in the center mullion and top of cabinet and reinstall in the opposite set of holes.



6. To remove freezer handle:

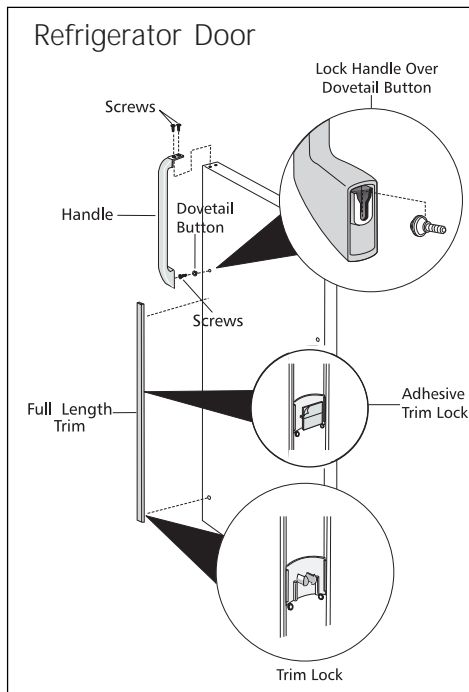
Reverse handles while doors are off. Remove the two screws attaching handle to the bottom of freezer door. Swing bottom of handle away from door, and slide handle straight up and off of dovetail



button. Remove screw and dovetail button and install on other side, using same holes as the nameplate. To move nameplate to other side, remove magnetic nameplate from its frame, turn frame upside down and install in old handle holes. Insert magnetic nameplate into frame. Reverse instructions for reattaching handle. Start with handle offset away from door. Place top of handle over dovetail button, swing handle into an upright position and push upward, locking it into place. Secure bottom of handle with screws.

7. To remove refrigerator handle:

Remove the two screws attaching handle to top of refrigerator door. Swing top of handle away from door, and slide handle down and off of dovetail button. Remove screw and dovetail button and install on other side, moving hole plugs from corresponding holes to the opposite side. Reverse instructions for reattaching handle. Start with handle offset away from door. Place bottom of handle over dovetail button, swing handle into an upright position and push downward, locking it into place. Secure top of handle with screws.

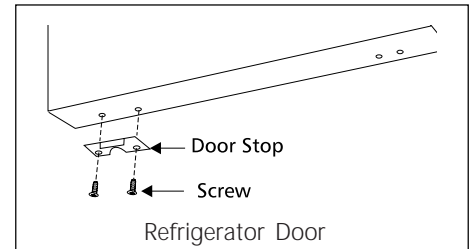
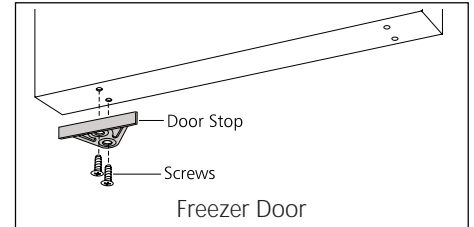


Trim Removal (Full-Length Trim models only):

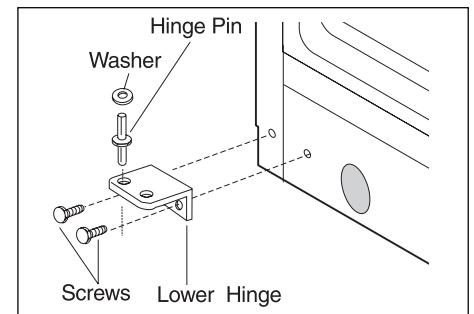
In some models, the refrigerator door has a full length trim piece that continues from the bottom of handle to the bottom of the door. The top of the trim fits into the base of the handle. An adhesive "trim lock" is positioned about half-way down. The bottom of the trim is held in place by either an adhesive trim lock, or a trim lock with two prongs inserted into a hole on the face of the door. Remove trim by gently pulling trim lock areas out and away from door. When trim is free from door, gently pull trim down and away from base of handle.

To reattach trim: Slide both trim locks out of trim. Insert new adhesive trim locks contained in your literature pack. **NOTE:** Trim lock must be removed and installed by sliding OVER the two donut shaped areas. Install trim to handle by sliding under base of handle. Carefully align trim, and press down at trim lock locations. Replace hole plug on opposite side. Use rubbing alcohol to remove any adhesive residue from old trim lock location(s).

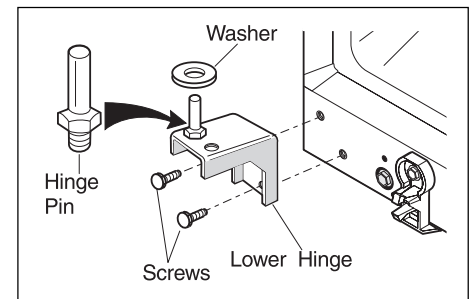
8. Remove door stop from bottom of freezer and refrigerator door and reinstall on opposite side.



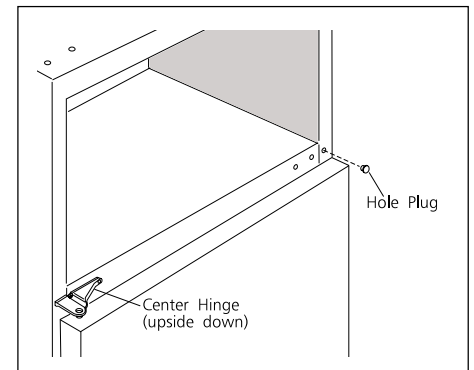
9. If your refrigerator does not have a Toe Grille, use a putty knife to remove the plastic plug (not shown) from front of base and reinstall in the opposite set of lower hinge holes. Assemble lower hinge to cabinet. Install hinge pin in opposite hinge hole from which it was removed. Install the washer (some models) on the lower hinge pin and insert hinge screws, but do not tighten. Hinges will have to remain loose against cabinet to align door.



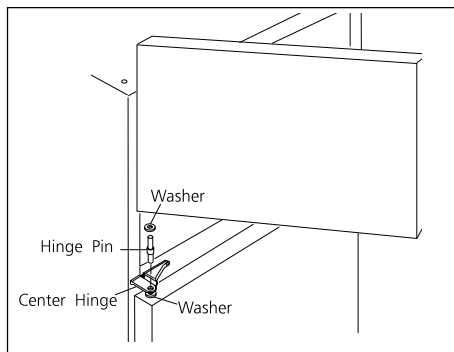
or



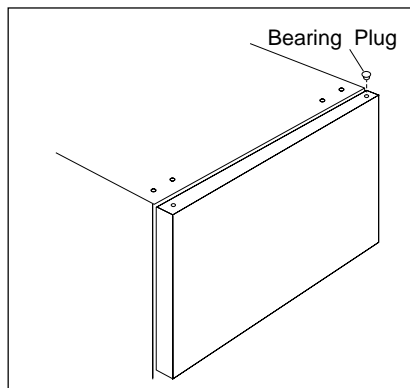
10. Turn center hinge upside down and secure to cabinet as shown, using the screws which are in the new holes. Install refrigerator door on lower hinge pin. Align door with edge of cabinet. Hold the door on front of cabinet.



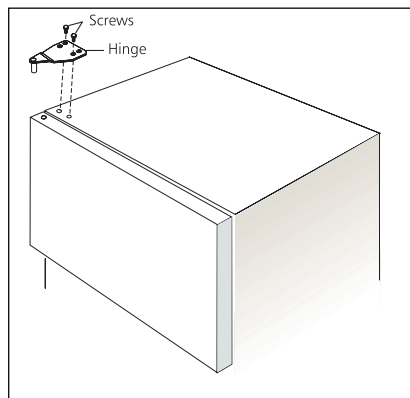
11. Place original washer (some models) over hole in refrigerator door and line up hole in center hinge. Insert hinge pin through both holes. Place washer (some models) on hinge pin, then position freezer door on center hinge.



12. Remove plug from upper bearing of door and reinstall on opposite side.



13. Assemble upper hinge to top of cabinet and door. Use opposite set of holes. Do not completely tighten screws.



Align doors so there is a parallel gap between doors. Original shipping block may be used to align doors. Adjust doors to cabinet so gaskets seal but do not bind. Tighten upper and lower hinge screws.

Additional adjustment may be necessary after loading the door shelves. Return food, bottles, and other articles to doors. **Turn the refrigerator control on and to the previous setting. Wait 24 hours for the temperature to stabilize before making additional changes.**

Refer to the Toe Grille Instructions on page 13 to replace the Toe Grille (some models).

Refrigerator Toe Grille Assembly Instructions

NOTE: If your refrigerator has the type of Mounting Clips shown in Figure 1B below, use this procedure.

Tools Required: None

To Attach the Toe Grille to the Mounting Clips:

- With the end of the Toe Grille against the side of the Lower Hinge, align the two (2) Assembly Slots with the two (2) Mounting Clips.
- Snap the Toe Grille onto the Mounting Clips. (See Figures 1A and 1B)

NOTE: A properly mounted Toe Grille should have its edge against the Lower Hinge, and the back of the Toe Grille tight against the refrigerator base.

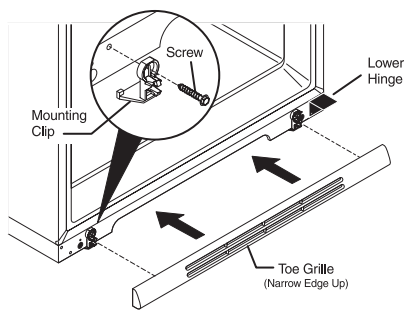
To Remove the Toe Grille:

- Carefully tilt the bottom edge of the Toe Grille away from the refrigerator base.
- Pull the Toe Grille toward you until it "unsnaps" from the Mounting Clips. (See Figure 2)

For Cleaning:

Hand wash in Warm Soapy Water.

CAUTION The Toe Grille and Mounting Clips are **NOT** dishwasher safe. Placing them in the dishwasher will result in a warped and unusable Grille.



NOTE: Right Hand Door Swing Shown.

Figure 1A

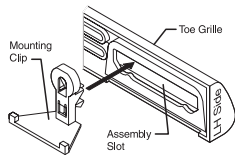


Figure 1B

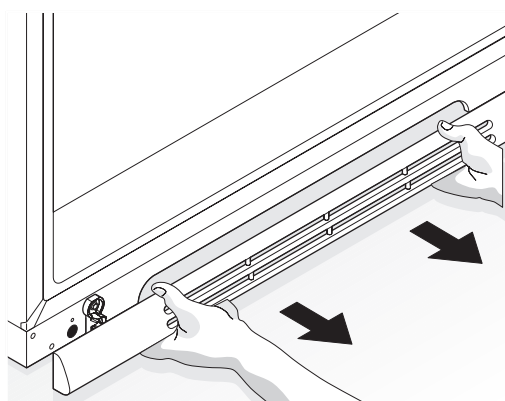


Figure 2

NOTE: If your refrigerator has the type of Mounting Clips shown in Figure 2 below, use this procedure.

Tools Required: None

To Attach the Toe Grille:

- Open the refrigerator door.
- Line up the Toe Grille Assembly over the two large holes on the front of the refrigerator base (See Figure 1).
- Push the Toe Grille Assembly into the holes until the grille snaps in place (See Figure 1).

NOTE (some models): If your refrigerator has a left hand door swing, the Toe Grille Buttons must be positioned on the left side of the keyhole slots (See Figure 2).

NOTE: Both Toe Grille Buttons must be mounted on the same side of the two keyhole slots.

NOTE: The Toe Grille should be flush with the side of the refrigerator and not interfere with the Lower Hinge.

To Remove the Toe Grille:

- Grasp the Toe Grille on each side and pull directly outward.
- The grille assembly will pop out of the holes for easy cleaning.

For Cleaning:

Hand wash in Warm Soapy Water.

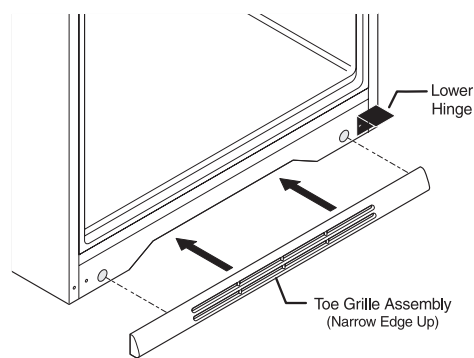


Figure 1

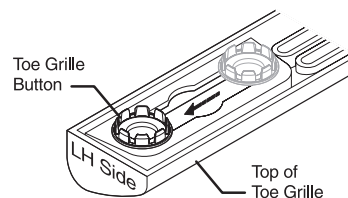


Figure 2

Avoid Service Checklist

Before calling for service, review this list. It may save you time and expense. This list includes common occurrences that are not the result of defective workmanship or materials in this appliance.

OCCURRENCE

SOLUTION

RUNNING OF REFRIGERATOR

Refrigerator compressor does not run.

Refrigerator control is off. Set refrigerator control. See **Setting the Controls**.

Refrigerator is in defrost cycle. This is normal for a fully automatic defrosting refrigerator. The defrost cycle occurs periodically, lasting about 20 minutes.

Plug at wall outlet is disconnected. Make sure plug is tightly pushed into outlet.

House fuse has blown or circuit breaker has tripped. Check and/or replace fuse with a 15 amp time-delay fuse. Reset circuit breaker.

Power outage. Check house lights. Call local electric company.

Refrigerator runs too much or too long.

Room or outside weather is hot. It is normal for the refrigerator to work longer under these conditions.

Refrigerator has recently been disconnected for a period of time. It takes about 8-12 hours for the refrigerator to cool down completely.

Automatic ice maker is operating (some models). Operation of the ice maker causes the refrigerator to run slightly more.

Doors are opened too frequently or too long. Warm air entering the refrigerator causes it to run more. Open the doors less often.

Refrigerator or freezer door may be slightly open. Make sure refrigerator is level. Keep food and containers from blocking door. See Occurrence section **OPENING/CLOSING OF DOORS/DRAWERS**.

Refrigerator control (found in refrigerator section) is set too cold. Set the refrigerator control to a warmer setting until the refrigerator temperature is satisfactory. Allow 24 hours for the temperature to stabilize. Then, if the freezer temperature is not right, set the freezer control to a colder setting.

Refrigerator or freezer gasket is dirty, worn, cracked, or poorly fitted. Clean or change gasket. Leaks in door seal will cause refrigerator to run longer in order to maintain desired temperatures.

Refrigerator compressor goes on and off frequently.

Thermostat is keeping the refrigerator at a constant temperature. This is normal. Refrigerator goes on and off to keep temperature constant.

TEMPERATURES ARE TOO COLD

Temperature in the freezer is too cold and the refrigerator temperature is satisfactory.

Freezer control is set too cold. Set the freezer control to a warmer setting until the freezer temperature is satisfactory. Allow 24 hours for the temperature to stabilize.

Temperature in the refrigerator is too cold and the freezer temperature is satisfactory.

Refrigerator control is set too cold. Set the refrigerator control to a warmer setting. Allow 24 hours for temperatures to stabilize. Then, if the freezer temperature is not right, set the freezer control to a colder setting.

Food stored in drawers freezes.

Refrigerator control is set too cold. See above solution.

TEMPERATURES ARE TOO WARM

Temperature in the freezer or refrigerator is too warm.

Doors are opened too frequently or too long. Warm air enters the refrigerator whenever the door is opened. Open the door less often.

Door is open slightly. See Occurrence section **OPENING/CLOSING OF DOORS/DRAWERS**.

Condenser is dirty. Clean condenser. See "Outside" in **Care and Cleaning**.

Temperature in the freezer is too warm.

Freezer control is set too warm. Set the freezer control to a colder setting until the freezer temperature is satisfactory. Allow 24 hours for the temperature to stabilize.

Temperature in the refrigerator is too warm and the freezer temperature is satisfactory.

Refrigerator control is set too warm. Refrigerator control has some effect on freezer temperature. Set the refrigerator control to a colder setting. Allow 24 hours for the temperature to stabilize. Then, if the freezer temperature is not right, set the freezer control to a warmer setting. Refer to **Setting the Controls**.

OCCURRENCE

SOLUTION

WATER/MOISTURE/FROST INSIDE REFRIGERATOR

Moisture collects on inside of refrigerator walls.

Weather is hot and humid which increases rate of frost buildup and internal sweating. This is normal.

Door is slightly open. See Occurrence section **OPENING/CLOSING OF DOORS/DRAWERS**.

Door is opened too often or too long. Open the door less often.

Water collects on bottom side of drawer cover.

Vegetables contain and give off moisture. It is not unusual to have moisture on the bottom side of the cover.

Water collects in bottom of drawer.

Washed vegetables and fruits drain while in the drawer. Dry items before putting them into drawer. Water collecting in bottom of drawer is normal.

WATER/MOISTURE/FROST OUTSIDE REFRIGERATOR

Moisture forms on outside of refrigerator or between doors.

Weather is humid. This is normal in humid weather. When humidity is lower, the moisture should disappear. Set the Moisture Reduction Switch to the "ON" position.

Door is slightly open, causing cold air from inside the refrigerator to meet warm air from outside. See Occurrence section **OPENING/CLOSING OF DOORS/DRAWERS**.

AUTOMATIC ICE MAKER (some models)

Ice maker is not making any ice.

Ice maker wire signal arm is in "up" or OFF position. Move wire signal arm to "down" or ON position.

Household water line valve is not open. Turn on household water line valve.

Freezer is not cold enough. See Occurrence section **TEMPERATURES ARE TOO WARM**.

Saddle valve on cold water pipe is blocked or restricted by foreign material. Turn off household water line valve. Remove, clean or replace valve.

Ice maker is not making enough ice.

Ice maker is producing less ice than you expect. Ice maker should produce approximately 2 1/2 to 4 pounds of ice every 24 hours.

Freezer is not cold enough. See Occurrence section **TEMPERATURES ARE TOO WARM**.

Household water line valve is not completely open. Turn on household water line valve.

Water supply valve in refrigerator is being blocked by foreign material. See Occurrence, "**Ice maker is not making any ice**" above.

Ice maker will not stop making ice.

Ice maker wire arm is being held down by an item in the freezer. Remove item and release arm. Remove any ice cubes which are frozen together over arm.

Ice maker is not separating the cubes.

Ice cubes are not being used frequently enough. Remove and shake ice bucket to separate cubes.

Ice has bad odor and taste.

Ice has picked up odor or flavor from strong food stored in refrigerator or freezer. Cover foods tightly. Discard stale ice. Ice maker will produce fresh supply.

Water running to ice maker has poor taste or odor. Add filter to ice maker. Consult a water purifying company.

ODORS IN REFRIGERATOR

Interior needs to be cleaned. Clean interior with sponge, warm water and baking soda.

Food with strong odor is in refrigerator. Cover food tightly.

OPENING/CLOSING OF DOORS/DRAWERS

Door(s) will not close.

Door is not designed to swing shut automatically. Close door securely.

Door was closed too hard, causing other door to open slightly. Close both doors gently.

Refrigerator is not level. It rocks on the floor when it is moved slightly. Be sure floor is level and solid and can adequately support refrigerator. Adjust levelers or rollers (some models) as needed.

Floor is uneven or weak. Refrigerator rocks on the floor when it is moved slightly. Be sure floor is level and can adequately support refrigerator. Contact carpenter to correct sagging or sloping floor.

Refrigerator is touching the wall or cabinets. Be sure floor is level and can adequately support refrigerator. Contact carpenter to correct sagging or sloping floor.

OCCURRENCE

SOLUTION

OPENING/CLOSING OF DOORS/DRAWERS (Cont'd)

Drawers are difficult to move.

Food is touching shelf on top of drawer. Keep less food in drawer.

Track that drawers slides on is dirty. Clean drawer and track.

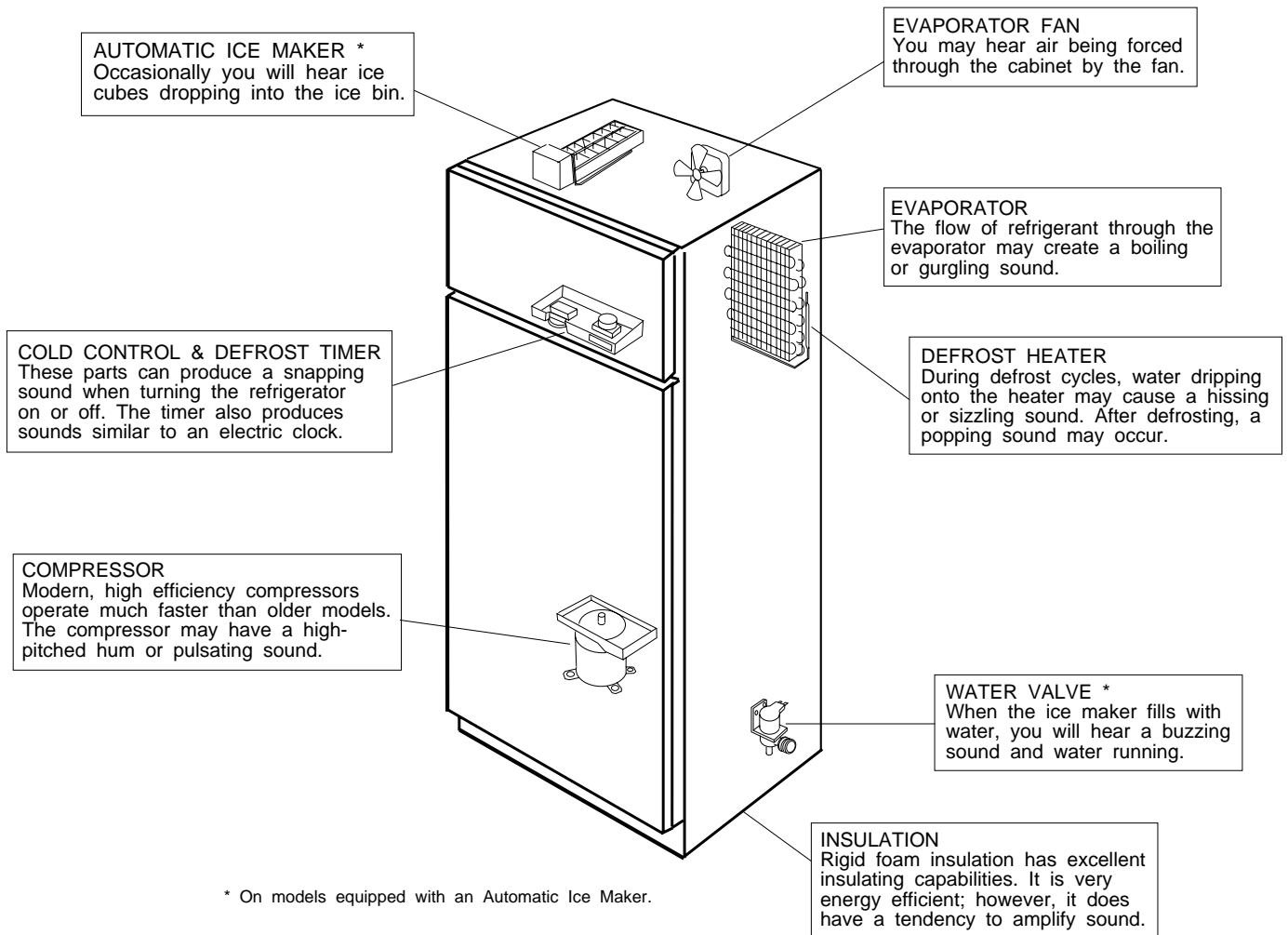
LIGHT BULB IS NOT ON

Light bulb is burned out. See "Replacing the Light Bulb" in **Care and Cleaning**.

Light switch is stuck. Light switch is located on the ceiling of the refrigerator compartment near the temperature control box. Push in light switch to release.

No electric current is reaching refrigerator. See Occurrence section **RUNNING OF REFRIGERATOR**.

Normal Operating Sounds



REFRIGERATOR WARRANTY

Your refrigerator is protected by this warranty

	WARRANTY PERIOD	THROUGH OUR AUTHORIZED SERVICERS, WE WILL:	THE CONSUMER WILL BE RESPONSIBLE FOR:
FULL ONE-YEAR WARRANTY	One year from original purchase date	Pay all costs for repairing or replacing any parts of this appliance which prove to be defective in materials or workmanship. Excludes original and replacement Ice & Water filter cartridges (if equipped). Original and replacement cartridges are warranted for 30 days (parts only).	Costs of service calls that are listed under NORMAL RESPONSIBILITIES OF THE CONSUMER. *
LIMITED 2ND-5TH YEAR WARRANTY (Cabinet Liner and Sealed System)	Second through fifth years from original purchase date	Repair or replace any parts in the cabinet liner or Sealed Refrigeration System (compressor, condenser, evaporator, drier and tubing) which prove to be defective in materials or workmanship.	Costs for pick up and delivery of the appliance required because of service. Costs for labor, parts and transportation other than with respect to the cabinet liner or Sealed Refrigeration System.
LIMITED WARRANTY (Applicable to the State of Alaska)	Time periods listed above.	All of the provisions of the full warranties above and the exclusions listed below apply.	Costs of the technician's travel to the home and any costs for pick up and delivery of the appliance required because of service.

ADDITIONAL COVERAGE FOR "THROUGH-THE-DOOR" ICE AND WATER DISPENSER AND/OR ICE ONLY DISPENSER MODELS:

	WARRANTY PERIOD	THROUGH OUR AUTHORIZED SERVICERS, WE WILL:	THE CONSUMER WILL BE RESPONSIBLE FOR:
FULL TWO-YEAR WARRANTY (Ice and Water Dispensing System)	During the second year from original purchase date.	Repair or replace, without charge, any part(s) of the ice and water dispensing system which proves to be defective in materials or workmanship, and all labor associated with such repair.	Costs for pick up and delivery of the appliance required because of service. Costs for labor, parts and transportation other than with respect to the ice and water dispensing system.

In the U.S.A., your appliance is warranted by Electrolux Home Products North America, a division of White Consolidated Industries, Inc. We authorize no person to change or add to any of our obligations under this warranty. Our obligations for service and parts under this warranty must be performed by us or an authorized Electrolux Home Products North America servicer. In Canada, your appliance is warranted by WCI Canada, Inc.

*NORMAL RESPONSIBILITIES OF THE CONSUMER

This warranty applies only to products in ordinary household use, and the consumer is responsible for the items listed below:

1. Proper use of the appliance in accordance with instructions provided with the product.
2. Proper installation by an authorized servicer in accordance with instructions provided with the appliance and in accordance with all local plumbing, electrical and/or gas codes.
3. Proper connection to a grounded power supply of sufficient voltage, replacement of blown fuses, repair of loose connections or defects in house wiring.
4. Expenses for making the appliance accessible for servicing, such as removal of trim, cupboards, shelves, etc., which are not a part of the appliance when it was shipped from the factory.
5. Damages to finish after installation.
6. Replacement of light bulbs and/or fluorescent tubes (on models with these features).

EXCLUSIONS

This warranty does not cover the following:

1. CONSEQUENTIAL OR INCIDENTAL DAMAGES SUCH AS PROPERTY DAMAGE AND INCIDENTAL EXPENSES RESULTING FROM ANY BREACH OF THIS WRITTEN OR ANY IMPLIED WARRANTY.
NOTE: Some states do not allow the exclusion or limitation of incidental or consequential damages, so this limitation or exclusion may not apply to you.
2. Service calls which do not involve malfunction or defects in workmanship or material, or for appliances not in ordinary household use. The consumer shall pay for such service calls.
3. Damages caused by services performed by servicers other than Electrolux Home Products North America or its authorized servicers; use of parts other than genuine Electrolux Home Products parts; obtained from persons other than such servicers; or external causes such as abuse, misuse, inadequate power supply or acts of God.
4. Products with original serial numbers that have been removed or altered and cannot be readily determined.

IF YOU NEED SERVICE

Keep your bill of sale, delivery slip, or some other appropriate payment record. The date on the bill establishes the warranty period should service be required. If service is performed, it is in your best interest to obtain and keep all receipts. This written warranty gives you specific legal rights. You may also have other rights that vary from state to state. Service under this warranty must be obtained by contacting Electrolux Home Products:

This warranty only applies in the 50 states of the U.S.A., Puerto Rico, and Canada. Product features or specifications as described or illustrated are subject to change without notice. All warranties are made by Electrolux Home Products North America, a division of White Consolidated Industries, Inc. In Canada, your appliance is warranted by WCI Canada, Inc.

01-U-RE-03 (Rev. 01/2001)

USA
800•944•9044
 Electrolux Home Products North America
 P.O. Box 212378
 Augusta, GA 30917

Canada
866•213•9397
 Electrolux Home Products North America
 6150 McLaughlin Road
 Mississauga, Ontario
 L5R 4C2

Service Information (Canada)

To avoid unnecessary cost and inconvenience, make a few simple checks before calling for service. Common occurrences and their solutions can be found in the Avoid Service Checklist. Be sure you have followed the instructions in this manual.

If you are unable to locate the cause of a problem, call for service. Insist on factory service by an authorized ELECTROLUX PARTS AND SERVICE depot.

ELECTROLUX PARTS AND SERVICE

All Electrolux appliances are backed by ELECTROLUX PARTS AND SERVICE, one of Canada's largest parts and service networks.

The Electrolux reputation means you can enjoy complete professional service from one of our hundreds of trained technicians across the country.

ELECTROLUX PARTS AND SERVICE

6150 McLaughlin Road
Mississauga, Ontario
L5R 4C2

Place the name, address and telephone number of your service depot in the spaces below.

Product and feature specifications as described or illustrated are subject to change without notice.

