

KitchenAid® Ice Maker

PRODUCT MODEL NUMBERS

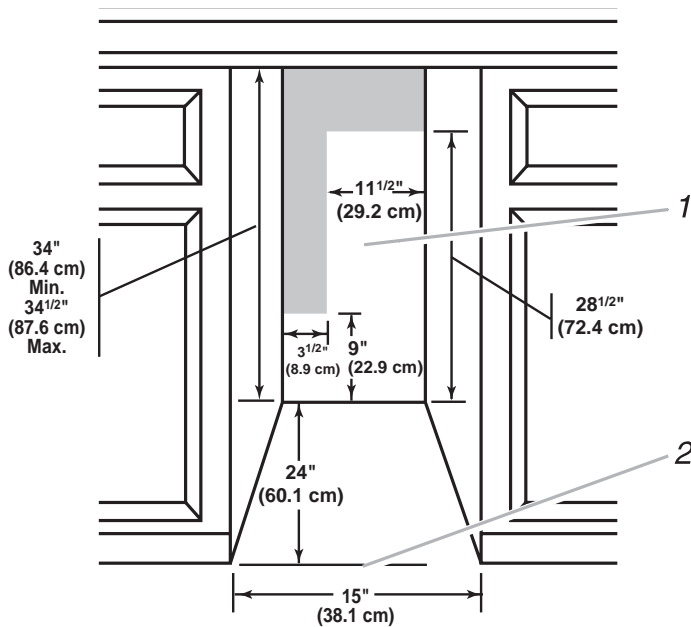
KUIA15NLH KUIS15NRH
 KUIA15NRH KUIS15PRH
 KUIA15PLL
 KUIA15PRL

Electrical: 115-volt, 60-Hz, AC-only, 15-ampere grounded circuit is required. A time-delay fuse or circuit breaker and separate circuit is recommended.

Water: A cold water supply using 1/4 in. O.D. soft copper tubing with shutoff valve.

Drain: Either a gravity-drain system or condensate pump to carry water to an existing drain.

CABINET OPENING DIMENSIONS

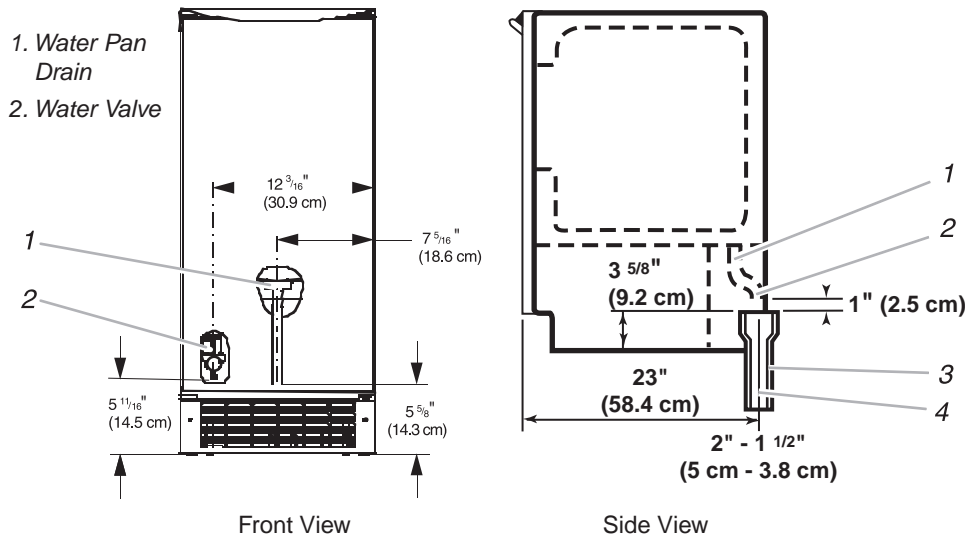


1. Recommended location for electrical and plumbing fixtures.

2. Floor level

To ensure proper ventilation for your ice maker, the front side must be completely unobstructed. The unit may be closed-in on the top and 3 sides, but the installation should allow the ice maker to be pulled forward for servicing if necessary.

DRAIN REQUIREMENTS



Drain lines must have a minimum of 5/8 in. (15.88 mm) inside diameter.

Drain lines must have a 1 in. drop per 48 in. (2.54 cm drop per 122 cm) of run or 1/4 in. drop per 12 in. (6.35 mm per 30.48 cm) and must not have low points where water can settle.

The ideal installation has a standpipe with a 1-1/2 in. (3.81 cm) to 2 in. (5.08 cm) PVC drain reducer installed directly below the outlet of the drain tube as shown. You must maintain a 1 in. (2.54 cm) air gap between the drain pump hose and the standpipe.

You must maintain a 1 in. (2.54 cm) air gap between the drain pump hose and the standpipe.

1. Drain Hose
2. 1 in. (2.54 cm) Air Gap
3. PVC Drain Reducer
4. Center of drain should be 23 in. (58.4 cm) from front of door (with or without 3/4 in. (1.91 cm) panel on door).