

Factory Parts Catalog

Product No.	E36WC75GSS
Market	North America
Color	stainless/glass
Volts	120
Owner's Guide	316495007
Installation Instructions	316495007
Wiring Diagram	5995495263



Electrolux Major Appliances
North & Latin America
P.O. BOX 212378
AUGUSTA, GA 30917

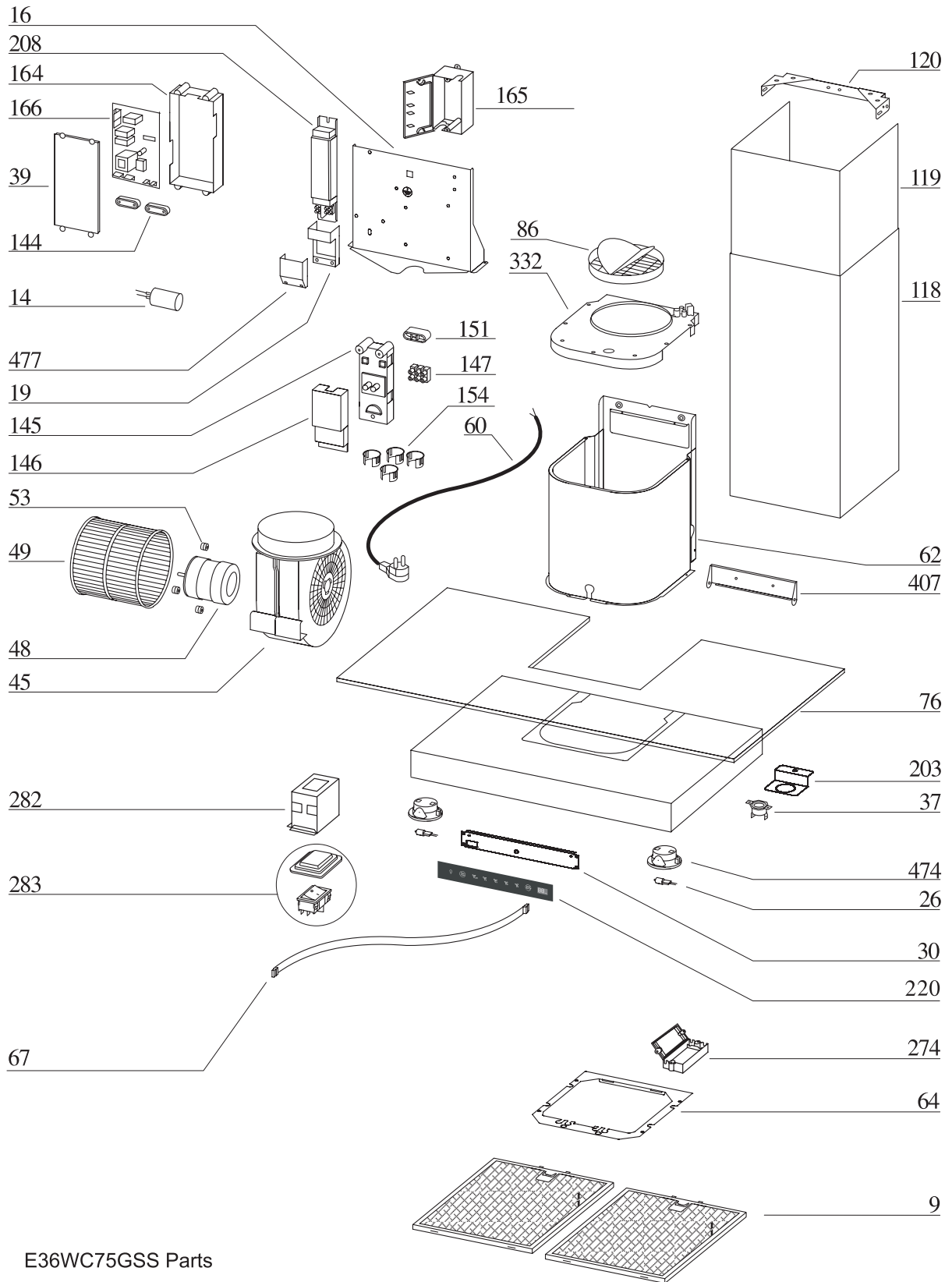
Publication No.
5995495263
07/07/19
(EN/SERVICE/KC)
099

RANGE HOOD

Model No.
E36WC75G

Copyright © 2007 Electrolux Home Products, Inc.
All rights reserved.

REPLACEMENT PARTS



E36WC75GSS Parts

REPLACEMENT PARTS

POS. NO	PART NO.	DESCRIPTION
9 #	5304455733	Filter, grease, aluminum
14 #	5304454900	Capacitor, motor
16	5304454949	Plate, mounting, electric system
19	5304454950	Bracket, transformer, protector
26	5304454951	Lamp, halogen, 20 W, 12 V
30	5304462833	Control Box, switch board
37 #	5304455734	Thermostat, Heat Sentry
39	5304454954	Cover, electrical box
45	5304454955	Housing, blower fan, scroll
48 #	5304462834	Motor, blower
49 #	5304455031	Blower Wheel, fan
53	5304462835	Washer, motor mount, rubber
60 #	5304454959	Power Cord, electric
62	5304454960	Housing, blower assembly
64	5304462837	Panel, filter support
67 #	5304462838	Wiring Harness, control panel
76 #	5304462850	Canopy, hood, glass
86 #	5304454974	Discharge Collar, damper
118	5304462851	Chimney, duct cover, lower flue
119	5304462852	Chimney, duct cover, upper flue
120	5304454981	Bracket, chimney mount, top flue
144	5304454982	Clamp, wiring
145	5304454983	Terminal Box, wiring
146	5304454985	Cover, terminal box
147	5304454986	Clamp, wiring junction
151	5304454987	Wire Stop, terminal box
154	5304454988	Clamp, power cord
164	5304455947	Electrical Box
165	5304454989	Electrical Box, with cover
166#	5304462841	Control Board, printed circuit
203	5304462845	Bracket, thermostat
208#	5304454992	Transformer
220#	5304462840	Switch Assembly, controls
274	5304455009	Fuse box
282	5304462843	Support, main switch
283#	5304462842	Switch Assembly, main
332	5304454996	Cover, blower, duct connector
407	5304454997	Bracket, blower support
474#	5304454999	Housing, lamp receptacle
477	5304455950	Cover, terminal, transformer
*	5304455001	Installation Kit, mtg. hardware
* #	5304455332	Fuse, 5 x 20 mm, 4 Amp, 125 V
* #	5304455333	Fuse Holder

WIRING DIAGRAM

