

INSTALLATION INSTRUCTIONS

FRONT CONTROL 30" GAS RANGE

**INSTALLATION AND SERVICE MUST BE PERFORMED BY A QUALIFIED INSTALLER.
IMPORTANT: SAVE FOR LOCAL ELECTRICAL INSPECTOR'S USE.
READ AND SAVE THESE INSTRUCTIONS FOR FUTURE REFERENCE.**



⚠ WARNING FOR YOUR SAFETY: Do not store or use gasoline or other flammable vapors and liquids in the vicinity of this or any other appliance.



⚠ WARNING If the information in this manual is not followed exactly, a fire or explosion may result causing property damage, personal injury or death.

FOR YOUR SAFETY:

- Do not store or use gasoline or other flammable vapors and liquids in the vicinity of this or any other appliance.
- **WHAT TO DO IF YOU SMELL GAS:**
 - Do not try to light any appliance.
 - Do not touch any electrical switch; do not use any phone in your building.
 - Immediately call your gas supplier from a neighbor's phone. Follow the gas supplier's instructions.
 - If you cannot reach your gas supplier, call the fire department.
- Installation and service must be performed by a qualified installer, service agency or the gas supplier.

⚠ WARNING Tip Over Hazard



- A child or adult can tip the range and be killed.
- Verify the anti-tip device has been installed to floor or wall.
- Ensure the anti-tip device is re-engaged to floor or wall when the range is moved.
- Do not operate the range without the anti-tip device in place and engaged.
- Failure to follow these instructions can result in death or serious burns to children and adults.



To check if the anti-tip bracket is installed properly, use both arms to grasp the rear edge of the range back. Carefully attempt to tilt range forward. When properly installed, the range should not tilt forward.



Refer to the anti-tip bracket installation instructions supplied with your range for proper installation.

Note: For appliance installed in the State of Massachusetts see page 2.

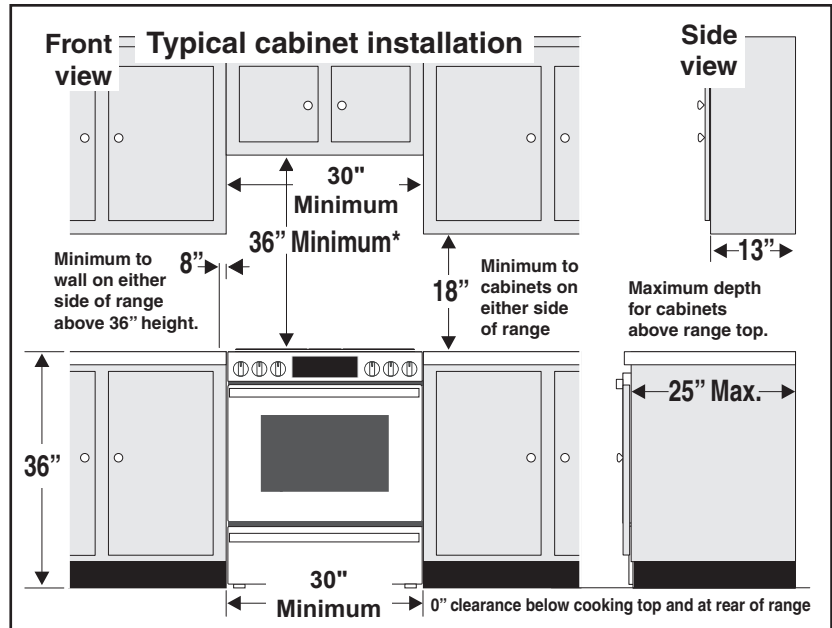
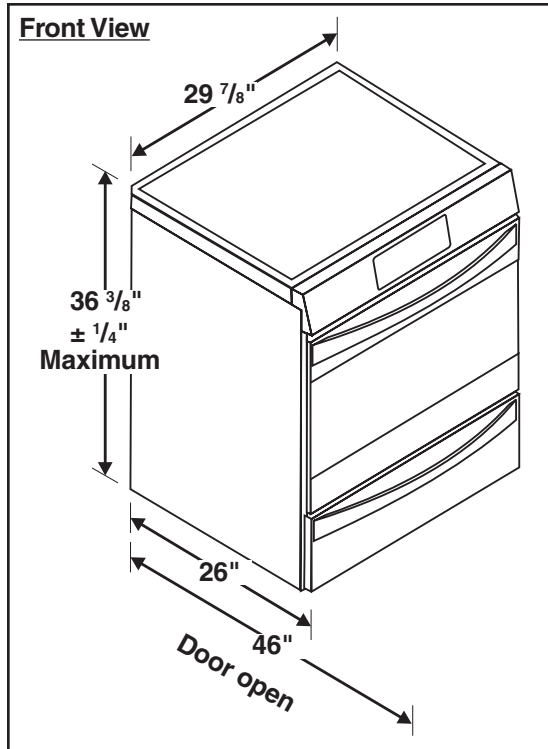
Table of Contents

Important Notes to the Installer	1	LP/Propane Gas Conversion	10
Important Note to the Customer	1	Care, Cleaning and Maintenance	10
Clearances and Dimensions.....	2	Before You Call for Service	10
Important Safety Instructions.....	3	Serial Plate Location	10
Tools You Will Need	4		
Normal Installation Steps:			
1. Anti-Tip Bracket Installation Instructions Important Safety Warning	4-5		
2. Provide an Adequate Gas Supply	6		
3. Seal the Openings	6		
4. Connect the Range to the Gas Supply	7		
5. Electrical Requirements	8		
6. Assembly of the Burner Caps	8		
7. Electric Ignition Surface Burner	9		
8. Adjust the Low Setting of Surface Burner Valves.....	9		
9. Operation of Oven Burners and Oven Adjustment... ..	9		
10. Air Shutter-Broil Burner.....	10		
11. Make Sure Range is Level.....	10		
12. After Installation is Complete Make sure all Controls are Left in the OFF Position	10		
		Important Notes to the Installer	
		1. Read all instructions contained in these installation instructions before installing range.	
		2. Remove all packing material from the oven and the drawer compartments before connecting the electrical and gas supply to the range.	
		3. Observe all governing codes and ordinances.	
		4. Be sure to leave these instructions with the consumer.	
		5. Note: For operation at 2000 ft. elevations above sea level, appliance rating shall be reduced by 4 percent for each additional 1000 ft.	
		Important Note to the Consumer	
		Keep these instructions with your owner's guide for future reference.	

30" GAS RANGE INSTALLATION INSTRUCTIONS

Clearances and Dimensions

1. **Location—Check location where the range will be installed.** Check for proper electrical and gas supply, and the stability of floor.
2. **Dimensions that are shown must be used.** Given dimensions provide minimum clearance. Contact surface must be solid and level.



* 36" minimum clearance between the top of the cooking surface and the bottom of an unprotected wood or metal cabinet; or 24" minimum when bottom of wood or metal cabinet is protected by not less than ¼" flame retardant millboard covered with not less than no. 28 MSG sheet steel, 0.015" stainless steel, 0.024" aluminum or 0.020" copper. The minimum clearance is 0" for the rear of the range. Follow all dimension requirements provided above to prevent property damage, potential fire hazard, and incorrect countertop and cabinet cuts.

⚠ WARNING DO NOT MAKE ANY ATTEMPT TO OPERATE THE ELECTRIC IGNITION OVEN DURING AN ELECTRICAL POWER FAILURE. RESET ALL OVEN CONTROLS TO OFF IN THE EVENT OF A POWER FAILURE. The electric ignitor will automatically re-ignite the oven burner when power resumes if the oven thermostat control was left in the ON position. When an electrical power failure occurs during use, the surface burners will continue to operate. During a power outage, the surface burners can be lit with a match. Hold a lighted match to the burner, then slowly turn the knob to the Lite position. Use extreme caution when lighting burners this way.

Avoid locating cabinet storage space above the surface burners. Avoid locating cabinet storage space above the surface burners. The absence of cabinets will eliminate the chance of cabinets catching on fire, and eliminate the possibility of receiving personal burns from reaching for the cabinets over flaming surface burners. If cabinet storage is to be provided, risk can be reduced by installing a range hood that projects horizontally a minimum of 5" beyond the bottom of the cabinets.

Special instructions for appliances installed in the state of Massachusetts: This Appliance can only be installed in the state of Massachusetts by a Massachusetts licensed plumber or gas fitter. When using a flexible connector, it must not exceed three (3) feet (36 in.) long. A "T" handle type manual gas valve must be installed in the gas supply line to this appliance.

30" GAS RANGE INSTALLATION INSTRUCTIONS

IMPORTANT SAFETY INSTRUCTIONS

Installation of this range must conform with local codes or, in the absence of local codes, with the National Fuel Gas Code ANSI Z223.1/NFPA .54-latest edition or CAN/CGA-B149.1 and CAN/CGA-B149.2 standards.

When installed in a manufactured (mobile) home, installation must conform with the Manufactured Home Construction and Safety Standard, Title 24 CFRR, Part 3280 [formerly the Federal Standard for Mobile Home Construction and Safety, Title 24, HUD (Part 280)] or, when such standard is not applicable, the Standard for Manufactured Home Installations, ANSI/NCSBCS A.225.1, or with local codes in United States or with ANSI Z225.1/NFPA 501A-latest edition, or CAN/CSA-Z240MH in Canada.

This range has been design certified by CSA International. As with any appliance using gas and generating heat, there are certain safety precautions you should follow. You will find them in the Use and Care Guide, read it carefully.

- **Be sure your range is installed and grounded properly by a qualified installer or service technician.**
- **This range must be electrically grounded in accordance with local codes or, in their absence, with the National Electrical Code ANSI/NFPA No. 70—latest edition in United States or with CSA standard C22.1, Canadian Electrical Code, Part 1 in Canada.** See Grounding Instructions in the Electrical Requirements section of these Installation Instructions.
- Before installing the range in an area covered with linoleum or any other synthetic floor covering, make sure the floor covering can withstand heat at least 90°F above room temperature without shrinking, warping or discoloring. Do not install the range over carpeting unless you place an insulating pad or sheet of ¼" (10,16cm) thick plywood between the range and carpeting.
- Make sure the wall coverings around the range can withstand the heat generated by the range.
- Do not obstruct the flow of combustion air at the oven vent nor around the base or beneath the lower front panel of the range. Avoid touching the vent openings or nearby surfaces as they may become hot while the oven is in operation. This range requires fresh air for proper burner combustion.

- Air curtains or other overhead range hoods, which operate by blowing a downward air flow onto a range, shall not be used in conjunction with gas ranges other than when the hood and range have been designed, tested and listed by an independent test laboratory for use in combination with each other.

⚠ WARNING Never leave children alone or unattended in the area where an appliance is in use. As children grow, teach them the proper, safe use of all appliances. Never leave the oven door open when the range is unattended.

⚠ WARNING Stepping, leaning or sitting on the doors or drawers of this range can result in serious injuries and can also cause damage to the range.

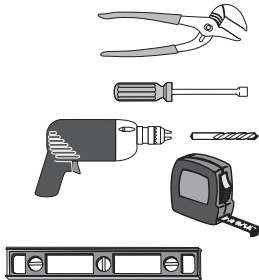
- Do not store items of interest to children in the cabinets above the range. Children could be seriously burned climbing on the range to reach items.
- To eliminate the need to reach over the surface burners, cabinet storage space above the burners should be avoided.
- Adjust surface burner flame size so it does not extend beyond the edge of the cooking utensil. Excessive flame is hazardous.
- Do not use the oven as a storage space. This creates a potentially hazardous situation.
- Never use your range for warming or heating the room. Prolonged use of the range without adequate ventilation can be dangerous.
- Do not store or use gasoline or other flammable vapors and liquids near this or any other appliance. Explosions or fires could result.
- In the event of an electrical power outage, the surface burners can be lit manually. To light a surface burner, hold a lit match to the burner head and slowly turn the Surface Control knob to LITE. Use caution when lighting surface burners manually.
- Reset all controls to the "off" position after using a programmable timing operation.
- Remove broiler pan, food and other utensils before self-cleaning the oven. Wipe up excess spillage. Follow the precleaning instructions in the Use and Care Guide.
- Unlike the standard gas range, **THIS COOKTOP IS NOT REMOVABLE.** Do not attempt to remove the cooktop.

30" GAS RANGE INSTALLATION INSTRUCTIONS

Tools you will need

For leveling legs and anti-tip brackets:

- Adjustable wrench or channel lock pliers
- 5/16" Nutdriver or Flat Head Screw Driver
- Electric Drill & 1/8 Diameter Drill Bit (5/32" Masonry Drill Bit if installing in concrete)
- Level & Measuring Tape



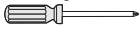
For gas supply connection:

- Pipe Wrench
- Brush



For burner flame adjustment

- Phillips head and blade-type screwdrivers



For gas conversion (LP/Propane or Natural):

- Open end wrench - 1/2"

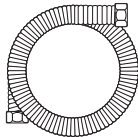


Additional materials you will need

- Gas line shut-off valve
- Pipe joint sealant that resists action of LP/ Propane gas



- A new flexible metal appliance conduit (1/2" NPT x 3/4" or 1/2" I.D.) must be design certified by CSA International. Because solid pipe restricts moving the range we recommend using a new flexible conduit (4 feet length) for each new installation and additional reinstalls.
- Always use the (2) new flare union



adapters 1/2" NPT x 3/4" or 1/2" I.D.) supplied with the new flexible appliance conduit for connection of the range.

Normal Installation Steps

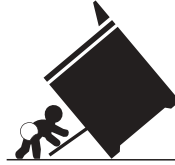
1 Anti-tip Bracket Installation Instructions

Important Safety Warning
To reduce the risk of tipping of the range, the range must be secured to the floor by the properly installed anti-tip bracket and screws packed with the range. Failure to install the anti-tip bracket will allow the range to tip over if excessive weight is placed on an open door or if child climbs upon it. Serious injury might result from spilled hot liquids or from the range itself.

If range is ever moved to a different location, the anti-tip brackets must also be moved and installed with the range.

Instructions are provided for installation in wood or cement floor. When fastening to floor, be sure that screws do not penetrate electrical wiring or plumbing.

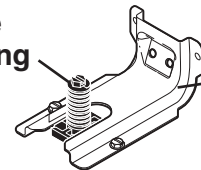
! WARNING Tip Over Hazard



- A child or adult can tip the range and be killed.
- Verify the anti-tip device has been installed to floor or wall as per installation instructions.
- Ensure the anti-tip device is re-engaged to floor or wall when the range is moved.
- Do not operate the range without the anti-tip device in place and engaged.
- Failure to follow these instructions can result in death or serious burns to children and adults.



Range Leveling Leg



Anti-Tip Bracket

To check if the anti-tip bracket is installed properly, use both arms and grasp the rear edge of range back. Carefully attempt to tilt range forward. When properly installed, the range should not tilt forward.

A. Locate the Bracket Using the Template -

Locate the bracket position (right or left side) by placing the template symmetrically to the center of the final range position. Mark the location of the screw holes, shown on template.

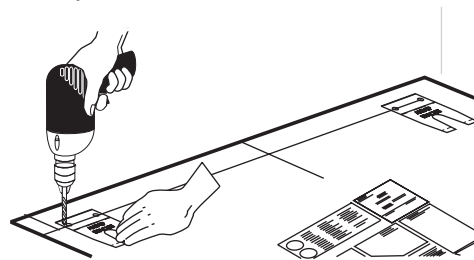
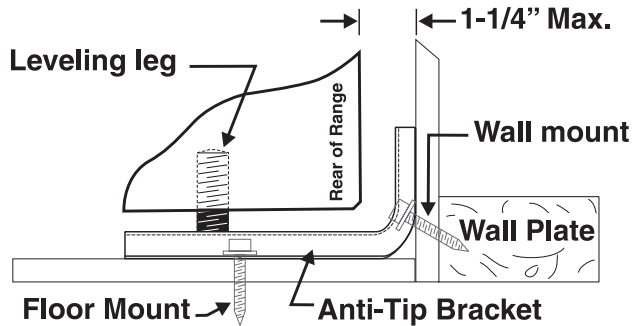


Figure 1

30" GAS RANGE INSTALLATION INSTRUCTIONS

B. Drill Pilot Holes and Fasten Bracket - Drill a 1/8" pilot hole where screws are to be located. If bracket is to be mounted to the wall, drill pilot hole at an approximate 20° downward angle. If bracket is to be mounted to masonry or ceramic floors, drill a 3/16" pilot hole 1-3/4" deep. The screws provided may be used in wood or concrete material. Use a 5/16" nut-driver or flat head screwdriver to secure the bracket in place.

FASTEN BRACKET (WALL OR FLOOR MOUNTING)



FASTEN BRACKET (FLOOR MOUNTING ONLY)

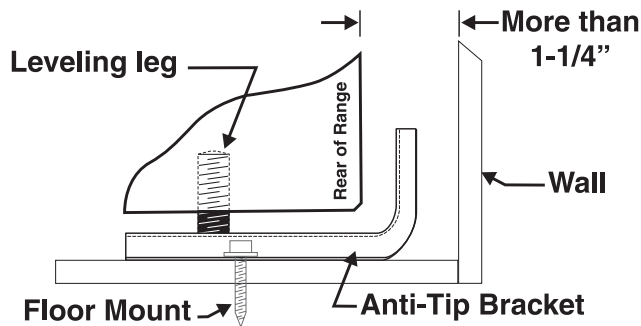


Figure 2

C. Level and position the range - Slide range to its final position. Insert the range leveling leg in the anti-tip bracket. Visually verify if the anti-tip bracket is engaged. Lower the range by adjusting the 4 leveling legs alternatively until the range is level. Check if the range is level by placing a spirit level on the oven rack. Take 2 readings with the spirit level placed diagonally; take a reading in one direction and then in the other direction. Level the range if necessary by adjusting the leveling legs.

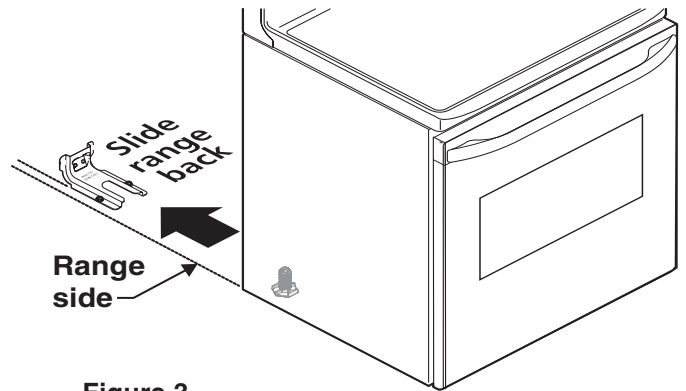


Figure 3

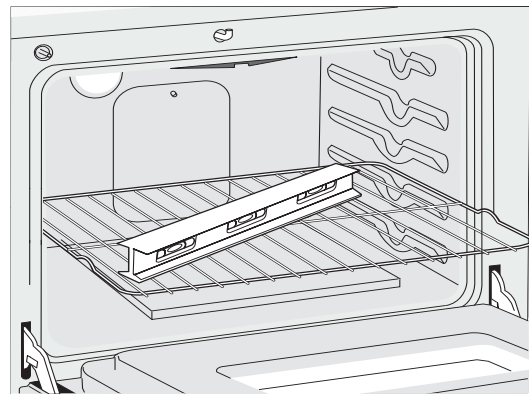


Figure 4

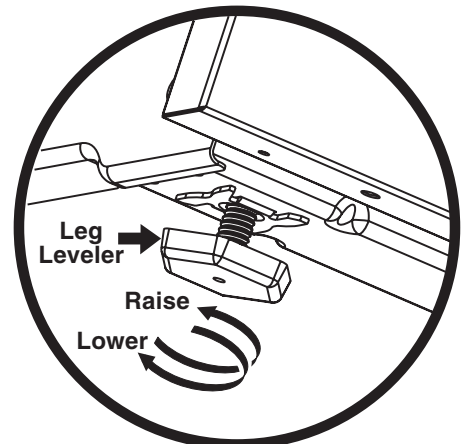


Figure 5

30" GAS RANGE INSTALLATION INSTRUCTIONS

2.1 Gas and Electric Entry Preparation

- The hatched areas are the locations where the gas line can enter the cabinet (figure 5a).
- The recommended position for the gas entry line is located at 7" (17,8 cm) from the left cabinet wall and 2" (5,1 cm) from the floor (figure 5a).
- The shaded area is the location where the electric outlet can be located (figure 5a).
- **If you are using a through the floor gas entry, remove the line protector shield** from the bottom of the unit to allow access for the pipe line (figure 5b).
- We recommend to install a pipe elbow right out of the floor or wall towards the center of the unit to ease the installation.

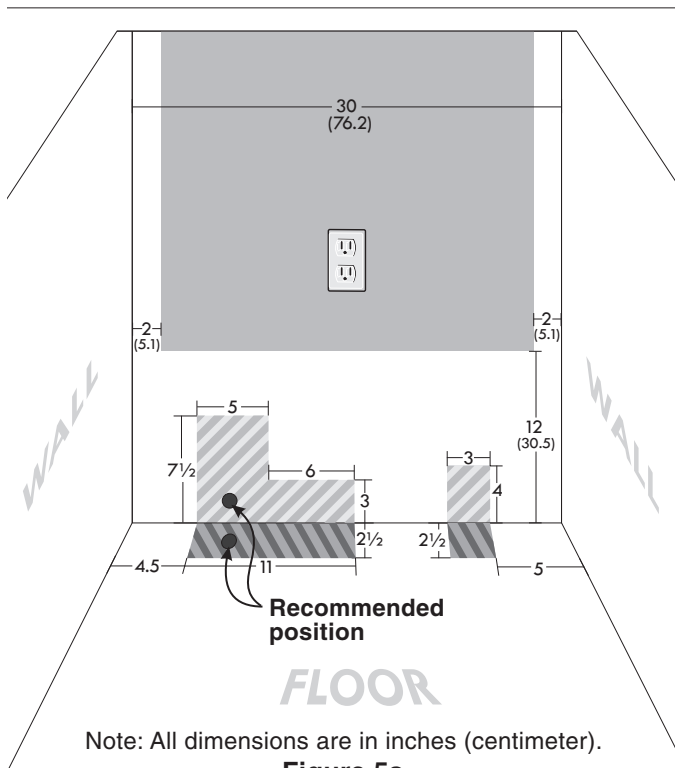
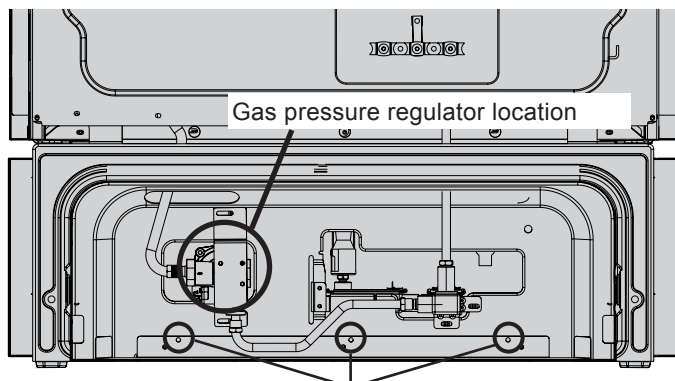


Figure 5a



To remove the line protector, remove the 3 screws.

Figure 5b

2.2 Provide an adequate Gas Supply

When shipped from the factory, this unit is designed to operate on 4" (10,16 cm) water column (1,0 kPa) Natural gas manifold pressure. A convertible pressure regulator is connected to the range manifold and **MUST** be connected in series with the gas supply line. If LP/Propane conversion kit has been used, follow instructions provided with the kit for converting the pressure regulator to LP/Propane use.

Care must be taken during installation of range not to obstruct the flow of combustion and ventilation air.

For proper operation, the maximum inlet pressure to the regulator should be no more than 14" (35,56 cm) of water column pressure (3,5 kPa). The inlet pressure to the regulator must be at least 1" (0,25 kPa) greater than the regulator manifold pressure setting. Examples: If regulator is set for natural gas 4" (10,16 cm) manifold pressure, inlet pressure must be at least 5" (12,60 cm); if regulator has been converted for LP/Propane gas 10" (25,4 cm) manifold pressure, inlet pressure must be at least 11" (27,9 cm).

Leak testing of the appliance shall be conducted according to the instructions in step 4H.

The gas supply line should be 1/2" or 3/4" I.D.

3 Seal the openings

Seal any openings in the floor under the range after gas supply line is installed.

30" GAS RANGE INSTALLATION INSTRUCTIONS

4 Connect the range to the gas supply

Important: Remove all packing material and literature from range before connecting gas and electrical supply.

Note: To prevent leaks, put pipe joint sealant on all external pipe threads.

CAUTION Do not allow regulator to rotate on pipe when tightening fittings.

Connection to Pressure Regulator

The regulator is already installed on the appliance.

WARNING Do not make the connection too tight. The regulator is die cast. Overtightening may crack the regulator resulting in a gas leak and possible fire or explosion.

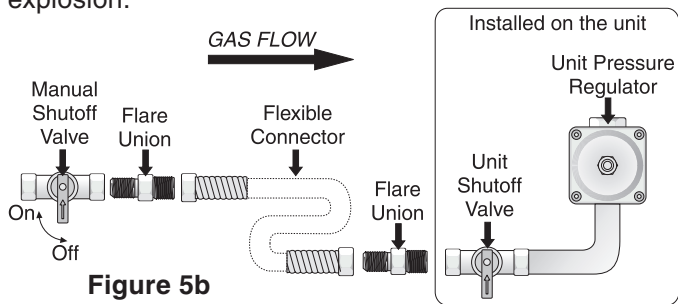


Figure 5b

- Install an external manual gas shut-off valve to gas supply line in an accessible location outside of the range. Be sure you know where and how to shut off the gas supply to the range.
- Install $\frac{1}{2}$ " flare union adapter to unit shut-off valve using **NO MORE THAN 15ft./lbs.** of torque. **NOTE:** Be sure to stabilize the right side of the unit shut-off valve with adjustable wrench before tightening ANY fittings to the unit shut-off valve.
- Tighten the gas flexible connector and/or appliance conduit to flare union on the left side of the unit shut-off valve using **NO MORE THAN 15ft./lbs.** of torque. Be sure to stabilize the $\frac{1}{2}$ " flare union adapter with an adjustable wrench before tightening the gas flexible connector and/or appliance conduit.
- Install flare union adapter to external shut-off valve.
- Attach the gas flexible connector with the flare union on shut-off valve.
- Make sure both shut-off valves are in the "ON" position.
- Form the gas flexible connector as shown on figure 5c. This will prevent the flexible connector from pinching or blocking the unit when you will push it back in its final position.
- Check for leaks. Turn the gas supply on to the range and use a liquid leak detector (or soap and water) at all joints and conduits to check for leaks in the system.

WARNING Do not use a flame to check for gas leaks.

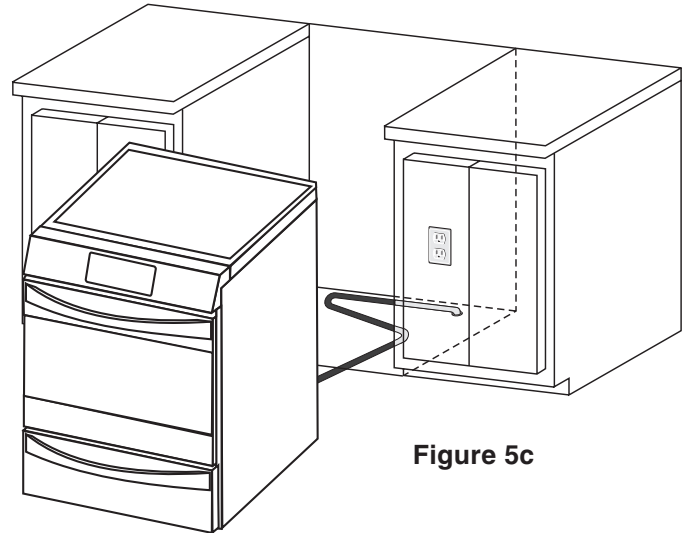


Figure 5c

Note: The purpose of forming the gas flexible connector is to position it in a way that will not block the unit or get pinched in it's final position.

If your unit in place is not against the wall as you wish, check behind the range and place the gas flexible connector to avoid the range being blocked or the gas flexible connector being pinched.

Checking Manifold Gas Pressure

Disconnect this range and its individual manual shutoff valve from the gas supply piping system during any pressure testing of that system at test pressures greater than 14" water column pressure (approximately $\frac{1}{2}$ " psig).

The appliance must be isolated from the gas supply piping system by closing its individual manual shutoff valve during any pressure testing of the gas supply piping system at test pressures equal to or less than 14" water column pressure (approximately $\frac{1}{2}$ " psig).

If it should be necessary to check the manifold gas pressure, connect manometer (water gauge) or other pressure device to the top burner right rear orifice. Using a rubber hose with inside diameter of approximately $\frac{1}{4}$ " hold tubing down tight over orifice. Turn burner valve on.

For accurate pressure check have at least two (2) other top burners burning. Be sure the gas supply (inlet) pressure is at least one inch above specified range manifold pressure. The gas supply pressure should never be over 14" water column. When properly adjusted for Natural Gas manifold pressure is 4" (For LP/Propane Gas the manifold pressure is 10")

30" GAS RANGE INSTALLATION INSTRUCTIONS

5 Electrical Requirements

120 volt, 60 Hertz, properly grounded dedicated circuit protected by a 15 amp circuit breaker or time delay fuse.

Do not use an extension cord with this range.

Grounding Instructions

IMPORTANT Please read carefully.

For personal safety, this appliance must be properly grounded.

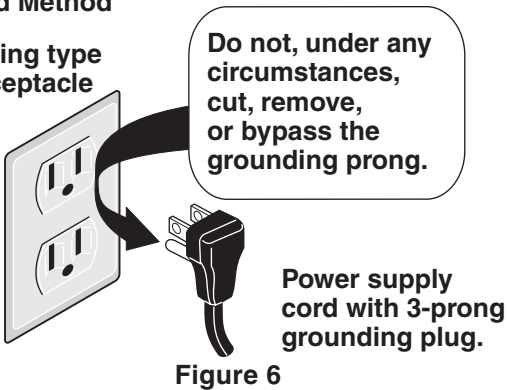
The power cord of this appliance is equipped with a 3-prong (grounding) plug which mates with a standard 3-prong grounding wall receptacle (see Figure 6) to minimize the possibility of electric shock hazard from the appliance.

The wall receptacle and circuit should be checked by a qualified electrician to make sure the receptacle is properly grounded.

Where a standard 2-prong wall receptacle is installed,

Preferred Method

Grounding type wall receptacle



it is the personal responsibility and obligation of the consumer to have it replaced by a properly grounded 3-prong wall receptacle.

Do not, under any circumstances, cut or remove the third (ground) prong from the power cord.

⚠ WARNING Disconnect electrical supply cord from wall receptacle before servicing cooktop.

6 Assembly of the Burner Caps

Refer to the Use and Care manual packaged with the appliance for operating, care, and cleaning instructions.

Install Burner Caps

This cooktop is equipped with sealed burners. All burner pieces are taped at their correct emplacement. Take note where they are. Remove all packaging material. Make sure the burner caps are properly aligned and leveled. The burner cap lip (See Figure 7) should fit snug into the center of burner head and rest level. Refer to Figures 8 & 9 for correct and incorrect burner cap placement. Once in place, you may check the fit by gently sliding the burner cap from side to side (Figure 10) to be sure it is centered and firmly seated. When the burner cap lip makes contact inside the center of the burner head you will be able to feel it. Please note that the burner cap should NOT move off the center of the burner head when sliding from side to side. NOTE: There are no burner adjustments necessary on this cooktop.

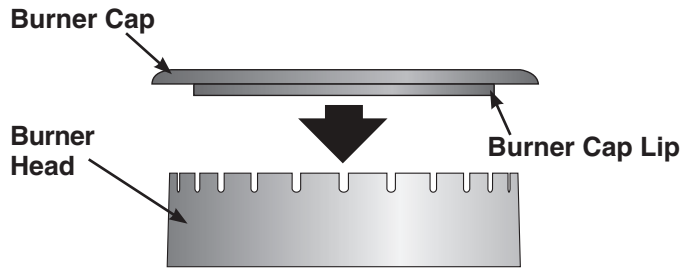
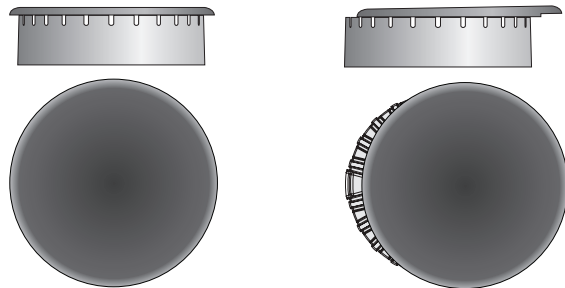
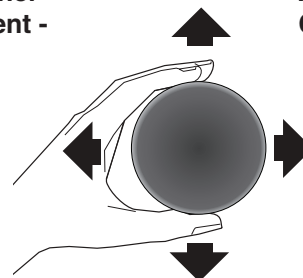


Fig. 7



Correct Burner Cap Placement - Fig. 8

Incorrect Burner Cap Placement - Fig. 9



30" GAS RANGE INSTALLATION INSTRUCTIONS

7 Electric Ignition Surface Burner

Operation of electric igniters should be checked after range and supply line connectors have been carefully checked for leaks, and range has been connected to electric power. To check for proper lighting:

- Push in and turn a surface burner knob to the LITE position. You will hear the igniter sparking.
- The surface should light when gas is available to the top burner. Each burner should light within four (4) seconds after air has been purged from supply lines. Visually check that burner has lit.
- Once the burner lights, the control knob should be rotated out of the LITE position.
- There are separate ignition devices for each burner. Try each knob separately until all burner valves have been checked.

8 Adjust the "LOW" Setting of Surface Burner Valves

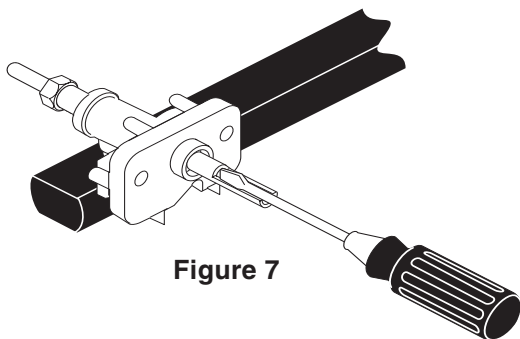
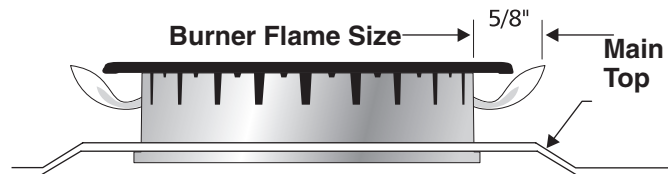


Figure 7

- Push in and turn each control to LITE until burner ignites.
- Push in and quickly turn knob to LOWEST POSITION.
- If burner goes out, Reset control to OFF.
- Remove the surface burner control knob.
- Insert a thin-bladed screwdriver into the hollow valve stem and engage the slotted screw inside. Flame size can be increased or decreased with the turn of the screw.



Adjust flame until you can quickly turn knob from LITE to LOWEST POSITION without extinguishing the flame. Flame should be as small as possible without going out.

Note: Air mixture adjustment is not required on surface burners.

9 Operation of Oven Burners and Oven Adjustments

Electric Ignition Burners

Operation of electric igniters should be checked after range and supply line connectors have been carefully checked for leaks, and range has been connected to electric power.

The oven burner is equipped with an electric control system as well as electric oven and broil burner igniters. These control systems require no adjustment. When the oven is set to operate, current will flow to the igniter. It will "glow" similar to a light bulb. When the igniter has reached a temperature sufficient to ignite gas, the electrically controlled oven valve will open and flame will appear at the oven burner. There is a time lapse from 30 to 60 seconds after thermostat is turned ON before the flame appears at the oven burner. When the oven reaches the display setting, the glowing igniter will go off. The burner flame will go "out" in 20 to 30 seconds after igniter goes "OFF". To maintain any given oven temperature, this cycle will continue as long as the display is set to operate.

After removing all packing materials and literature from the oven:

- Set the lower oven to BAKE at 300°F. See Use & Care Guide for operating instructions.
- Within 60 seconds the oven burner should ignite. Check for proper flame, and allow the burners to cycle once. Reset controls to OFF.
- Repeat A and B with the upper oven.
- Set the upper oven to broil. See Use and Care Guide for operating instructions.
- Within 60 seconds the broil burner should ignite. Check for proper flame. Reset controls to off.

30" GAS RANGE INSTALLATION INSTRUCTIONS

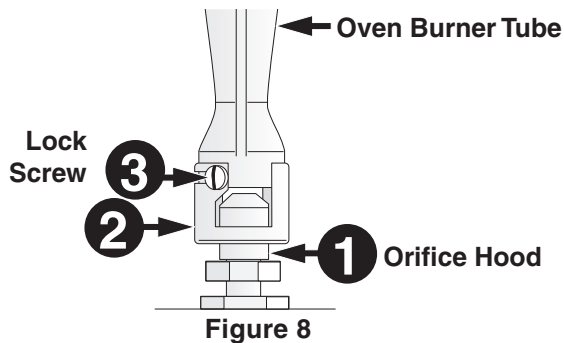
10 Air Shutter-Broil Burner

The approximate flame length from the burner is 1 inch (distinct inner cone of blue flame).

To determine if the broil burner flame is proper, set the oven to broil.

If flame is yellow in color, increase air shutter opening size (see "2" in Figure 8). If the entire flame is blue, reduce the air shutter opening size.

To adjust, loosen lock screw (see "3" in Figure 8), reposition air shutter, and tighten lock screw.



11 Make sure range is level

Level the range by placing a level horizontally on an oven rack. Check diagonally from front to back, then level the range by adjusting the leveling legs.

12 After installation is completed, make sure all controls are left in the OFF position.

LP/Propane Gas Conversion

This appliance can be used with Natural gas or LP/Propane gas. It is shipped from the factory for use with natural gas.

If you wish to convert your range for use with LP/Propane gas, use the supplied fixed orifices located in a bag containing the literature marked "FOR LP/PROPANE GAS CONVERSION." Follow the instructions packaged with the orifices for surface, oven and broil burners conversion.

The conversion must be performed by a qualified service technician in accordance with the manufacturer's instructions and all local codes and requirements. Failure to follow these instructions could result in serious injury or property damage. The qualified agency performing this work assumes responsibility for the conversion.

⚠ WARNING Failure to make the appropriate conversion can result in serious personal injury and property damage.

Care, Cleaning and Maintenance

Refer to the Use & Care Guide for cleaning instructions.

If moving the range is necessary for cleaning or maintenance, shut off gas supply. Disconnect the gas and electrical supply. If gas or electrical supply is inaccessible, lift the unit slightly at the front and pull out away from the wall.

Pull only as far as necessary to disconnect the gas and electrical supply. Finish moving the unit for servicing and cleaning. Reinstall in reverse order making sure to level the range and check gas connections for leaks.

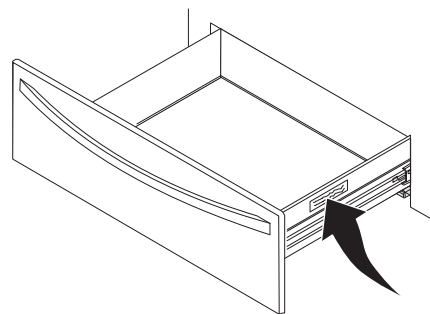
Before You Call for Service

Read the Before You Call for Service Checklist and operating instructions in your **Use and Care Guide**. It may save you time and expense. The list includes common occurrences that are not the result of defective workmanship or materials in this appliance. Refer to your **Use and Care Guide** for service phone numbers.

Serial Plate Information

The serial plate is located as shown. See the serial plate for the following information:

- A. Model, lot and serial number of range.
- B. Kilowatt rating (power requirements).
- C. Voltage ratings.



INSTRUCCIONES DE INSTALACIÓN

ESTUFA A GAS DE 30"

LA INSTALACIÓN Y EL SERVICIO DEBEN SER EFECTUADOS POR UN INSTALADOR CALIFICADO. IMPORTANTE: GUARDE ESTAS INSTRUCCIONES PARA USO DEL INSPECTOR LOCAL DE ELECTRICIDAD. LEA Y GUARDE ESTAS INSTRUCCIONES PARA REFERENCIA FUTURA.



⚠️ ADVERTENCIA PARA SU SEGURIDAD: No almacene ni utilice gasolina u otros vapores y líquidos inflamables en la proximidad de este o de cualquier otro artefacto.



⚠️ ADVERTENCIA Si la información contenida en este manual no es seguida exactamente, puede ocurrir un incendio o una explosión causando daños materiales, lesión personal o la muerte.

PARA SU SEGURIDAD:

- No almacene ni utilice gasolina u otros vapores y líquidos inflamables en la proximidad de éste o de cualquier otro artefacto.
- **QUE DEBE HACER SI PERCIBE OLOR A GAS:**
- No trate de encender ningún artefacto.
- No toque ningún interruptor eléctrico; no use ningún teléfono en su edificio.
- Llame a su proveedor de gas desde el teléfono de un vecino. Siga las instrucciones del proveedor de gas.
- Si no logra comunicarse con su proveedor de gas, llame al departamento de bomberos.
- La instalación y el servicio de mantenimiento deben ser efectuados por un instalador calificado, la agencia de servicio o el proveedor de gas.

⚠️ ADVERTENCIA Riesgo de volcamiento



- Un niño o adulto puede volcar la estufa y acabar muerto.
- Verifique que se haya instalado el dispositivo antivuelco en el piso o en la pared.
- Asegúrese de que el dispositivo antivuelco se haya reacomplado cuando mueva la estufa sobre el piso o a la pared.

• No utilice la estufa sin el dispositivo antivuelco instalado y acoplado.

• Si no se siguen estas instrucciones, se puede provocar la muerte o quemaduras graves en niños y adultos.



Para verificar si el soporte antivuelco está instalado correctamente, sostenga el borde trasero de la parte trasera de la estufa hacia adelante con cuidado. Si esta instalada correctamente, la estufa no debería inclinarse hacia adelante.

Tornillo nivelador de la estufa



Consulte las instrucciones de instalación del soporte antivuelco proporcionadas con la estufa para instalarlo adecuadamente.

Soporte antivuelco

Tabla de materias

Notas importantes para el instalador.....	11
Nota importante para el consumidor	11
Espacios y dimensiones	12
Importante instrucciones de seguridad	13
Paso de instalación estándar	
1. Instrucción para la instalación del braqueto anti-basculante	14
2. Proporcione un suministro de gas adecuado	16
3. Selle las aperturas.....	16
4. Conecte la estufa al suministro de gas.....	17
5. Requisitos eléctricos	18
6. Montaje de las cabezas y de las tapas de los quemadores.....	18
7. Comprobación de los encendedores.....	19
8. Ajuste de la posición LOW (BAJA) para la válvula del quemador superior	19
9. Operación de quemadores del horno y ajustes de horno	19
10. Obtura de aire - Quemador de asado.....	20

11. Asegúrese que la cocina esta nivelada	20
12. Luego que la instalación ha sido terminada, asegúrese que todos los controles son dejados en la posición de OFF (Apagado)	20
Conversión para so de propano liquido	20
Cuidado, limpieza y mantenimiento.....	20
Antes de llamar al servicio	20
Placa de identificación.....	20

Notas importantes para el instalador

1. Lea todas las instrucciones antes de instalar la cocina.
2. Retire todo material de empaquetado del horno y de la gaveta de entibado antes de conectar el suministro eléctrico a la cocina.
3. Observe todo código o reglamento.
4. Asegúrese de dejar estas instrucciones con el consumidor

Nota importante para el consumidor

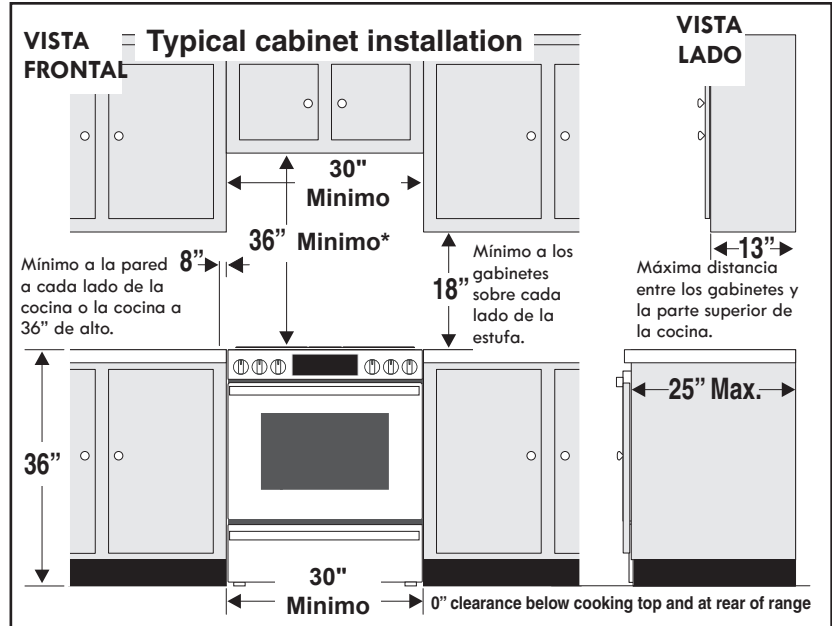
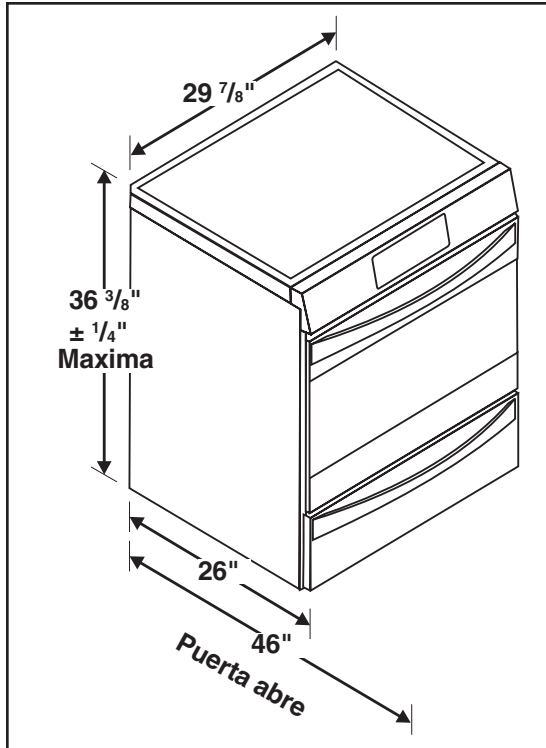
Mantenga estas instrucciones con el manual del usuario para futuras referencias.

Nota: Electrodomésticos instalados en el estado de Massachusetts (vea la página 2).

INSTRUCCIONES PARA INSTALACIÓN DE LA ESTUFA ELÉCTRICA DE 30"

Espacios y dimensiones

1. **Ubicación**—Examine el lugar en el cual va hacer instalada la estufa. Determine la existencia de suministro eléctrico adecuado y la estabilidad del piso.
2. **Se deben usar las medidas indicadas.** Las dimensiones indicadas proporcionan espacio mínimo. La superficie de contacto debe ser sólida y estar a nivel.



* Un mínimo de 36" de espacio entre la parte superior de la superficie para estufa y el fondo no protegido de un gabinete de metal o madera; o un mínimo de 24" cuando el fondo de metal o madera del gabinete esta protegido por no menos de 1/4" de material retardante, con una hoja de acero de no menos MSG No.28, 0.015" de acero inoxidable, 0.024" de aluminio o 0.020" de cobre. 0" es el espacio mínimo para la parte trasera de la estufa. Siga todos los requerimientos de medidas antes proporcionados para evitar daños a la propiedad: peligro de encendidos potenciales o superficies y cortes de gabinetes que sean incorrectos.

Para eliminar el riesgo de quemaduras o incendio cuando trate de alcanzar objetos por sobre unidades de superficie calentadas, debe evitarse que los gabinetes para almacenamiento están localizados encima de la superficie de la estufa. Si existen gabinetes de almacenamiento, el riesgo puede ser reducido instalando una campana de estufa que se proyecte en forma horizontal a una distancia mínima de 5" mas ala del fondo de los gabinetes.

⚠ ADVERTENCIA NO INTENTE ENCENDER EL HORNO DE IGNICIÓN ELÉCTRICA DURANTE UN APAGÓN DE LUZ. COLOQUE TODOS LOS CONTROLES EN LA POSICIÓN DE "APAGADO" CUANDO SE PRODUZCAN SITUACIONES DE ESTE TIPO.

El encendedor eléctrico, volverá a encenderse automáticamente al volver a conectarse el suministro de energía eléctrica tras un apagón si se han dejado los controles en la posición de "ENCENDIDO". Si se produce un apagón eléctrico cuando esté utilizando la aplicación, los quemadores de superficie continuarán en funcionamiento y podrá encenderlos con una cerilla. Coloque una cerilla encendida al lado del quemador y, a continuación, gire lentamente el mando hasta colocarlo en a posición LITE de encendido. Extreme las precauciones la encender el quemador de este modo.

Aparatos Instalados en el estado de

Massachusetts: Este Aparato sólo puede ser instalado en el estado de Massachusetts por un plomero o ajustador de gas licenciado de Massachusetts. Este aparato se debe instalar con un largo conector flexible de gas de tres (3) pies/36 pulgadas. Una válvula manual de gas de tipo manija de forma de "T" se debe instalar en la línea del suministro de gas de este aparato.

INSTRUCCIONES PARA INSTALACIÓN DE LA ESTUFA ELÉCTRICA DE 30"

IMPORTANTES INSTRUCCIONES DE SEGURIDAD

Instalación de esta estufa debe cumplir con todos los códigos locales, o en ausencia de códigos locales con el Código Nacional de Gas Combustible ANSI Z223.1/NFPA .54—última edición o CAN/CGA-B149.1 and CAN/CGA-B149.2 standards.

Si la cocina se instala en una casa móvil (caravana), la instalación deberá realizarse de acuerdo a los estándares de seguridad Manufactured Home Construction and Safety Standard (Estándar de seguridad y construcción de casa prefabricadas), Título 24 CFR, Sección 3280 [anteriormente denominada Federal Standard for Mobile Home Construction and Safety (Estándar federal para seguridad y construcción de casas prefabricadas), Título 24, HUD (Sección 280)] o, en caso de que dicho estándar no sea aplicable, deberá seguirse la norma marcada por el Standard for Manufactured Home Installations, ANSI/NCSBCS A225.1, o bien, toda la normativa legal existente referente a casas móviles en el Estados Unidos o en el Canadá por el estándar ANSI Z225.1/NFPA 501A-latest edición, o CAN/CSA-Z240MH.

El diseño de esta estufa ha sido certificado por la CSA Internacional. En éste como en cualquier otro artefacto que use gas y genere calor, hay ciertas precauciones de seguridad que usted debe seguir. Estas serán encontradas en el Manual del Usuario, léalo cuidadosamente.

- **Asegúrese de que la estufa sea instalada y conectada a tierra en forma apropiada por un instalador calificado o por un técnico.**
- **Esta estufa debe ser eléctricamente puesta a tierra de acuerdo con los códigos locales, o en su ausencia, con el Código Eléctrico Nacional ANSI/NFPA No. 70, última edición en el Estados Unidos o por el estándar de CSA, C22.1, Canadian Electrical Code, Part 1 en el Canadá.** Vea las instrucciones para la puesta a tierra.
- Antes de instalar la estufa en un área cuyo piso este recubierto con linóleo u otro tipo de piso sintético, asegúrese de que éstos puedan resistir una temperatura de por lo menos 90°F sobre la temperatura ambiental sin provocar encogimiento, deformación o decoloración. No instale la estufa sobre una alfombra al menos que coloque una plancha de material aislante de por lo menos 1/4 pulgada, entre la estufa y la alfombra.
- Asegúrese de que el material que recubre las paredes alrededor de la estufa, pueda resistir el calor generado por la estufa.
- No obstruya el flujo del aire de combustión en la ventilación del horno ni tampoco alrededor de la base o debajo del panel inferior delantero de la estufa. Evite tocar las aberturas o áreas cercanas de la ventilación, ya que pueden estar muy calientes durante el funcionamiento del horno. La estufa requiere aire fresco para la combustión apropiada de los quemadores.

- No se deben usar las cortinas de aire o cualquier otra campana de ventilación superior que sople aire hacia abajo sobre la estufa a gas a menos que la campana de ventilación y la estufa hayan sido diseñadas, probadas y certificadas por un laboratorio de pruebas independiente para el uso combinado de la una con la otra.

⚠ ADVERTENCIA Nunca deje niños solos o desatendidos en un área donde un artefacto está siendo usado. A medida que los niños crecen, enséñeles el uso apropiado y de seguridad para todos los artefactos. Nunca deje la puerta del horno abierta cuando la estufa está desatendida.

⚠ ADVERTENCIA No se pare, apoye o siente en las puertas o cajones de esta estufa pues puede resultar en serias lesiones y puede también causar daño a la estufa.

- No almacene artículos que puedan interesar a los niños en los gabinetes sobre la estufa. Los niños pueden quemarse seriamente tratando de trepar a la estufa para alcanzar estos artículos.
- Los gabinetes de almacenamiento sobre la estufa deben ser evitados, para eliminar la necesidad de tener que pasar sobre los quemadores superiores de la estufa para llegar a ellos.
- Ajuste el tamaño de la llama de los quemadores superiores de tal manera que ésta no sobrepase el borde de los utensilios de cocinar. La llama excesiva es peligrosa.
- No use el horno como espacio de almacenaje. Esto creará una situación potencialmente peligrosa.
- Nunca use la estufa para calentar el cuarto. El uso prolongado de la estufa sin la adecuada ventilación puede resultar peligroso.
- No almacene ni utilice gasolina u otros vapores y líquidos inflamables en la proximidad de éste o de cualquier otro artefacto eléctrico. Puede provocar incendio o explosión.
- En caso de una interrupción del servicio eléctrico, es posible de encender los quemadores de superficie a mano. Para encender un quemador de superficie, acerque un fósforo encendido del cabezal del quemador, y gire delicadamente el botón de control de superficie a LITE (encendido). Tener cuidado al encender los quemadores a mano.
- Ajuste todos los controles a la posición "OFF" (apagada) después de haber hecho una operación con tiempo programado.
- Saque la asadera, alimentos o cualquier otro utensilio antes de usar el ciclo de autolimpieza del horno. Limpie todo exceso de derrame de alimentos. Siga las instrucciones de prelimpiado en el Manual del Usuario.
- A diferencia de la gama estándar cocinas de gas, **ESTA PLANCHA DE COCINA NO ES MOVIBLE.** No intente quitar la plancha de cocina.

INSTRUCCIONES PARA INSTALACIÓN DE LA ESTUFA ELÉCTRICA DE 30"

Herramientas que va a necesitar

Para patas de nivelación y montura anti-vuelco:

- Llave ajustable o alicates
- Llave para apretar tuercas de 5/16" o un destornillador de cabeza plana
- Taladro eléctrico y una broca de 1/8" (broca de taladro de hormigón de 5/32" si se instala sobre hormigón)
- Nivel & Cinta de medición

Para la conexión al suministro de gas:

- Pinza
- Brocha

Para el ajuste de la llama de los quemadores:

- Destornilladores de estrella y de cabeza plana

Para la conversión a gas (LP/Propano o gas natural):

- Llave de boca de 1/2"

Material adicional que va a necesitar:

- Válvula de desconexión de la línea de gas
- Sellador para uniones de tuberías que resista la acción del gas propano/PL
- Un conducto de metal flexible (1/2" NPT x 3/4" o de 1/2" de D.I.) con diseño certificado por CSA International. Ya que las tuberías rígidas restringen el movimiento de la cocina, se recomienda el uso de tuberías flexibles nuevas (de entre 1,20 a 1,50 mts) durante la instalación y cada vez que se vaya a instalar de nuevo o se cambie de lugar posteriormente.
- Utilice siempre los dos (2) adaptadores de campana (1/2" NPT x 3/4" o de 1/2" D.I.) que se suministran con el conducto flexible nuevo para la conexión de la cocina.

Pasos de instalación estándar

1 Instrucción para la instalación del braquete anti-basculante

Nota importante de seguridad

Para reducir el riesgo de inclinación de la cocina, ésta debe ser asegurada hacia el piso con las fijaciones de anti-inclinación y los tornillos que vienen con la cocina. Si no instala las fijaciones, corre el riesgo que su cocina pueda inclinarse si pone demasiado peso sobre la puerta abierta o si un niño sube sobre ésta. Esto podría ocasionar graves causadas por derrames de líquidos calientes o por la propia cocina.

Si la cocina es trasladada a otro lugar, las fijaciones de anti-inclinación deben también ser trasladadas y instaladas con la cocina.

Las instrucciones provistas sirven para instalación en suelo de madera o concreto. Al fijar los tornillos al suelo, asegúrese que no atraviesen la instalación eléctrica o de fontanería.

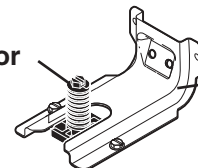
⚠ ADVERTENCIA Riesgo de volcamiento



- Un niño o adulto puede volcar la estufa y acabar muerto.
- Verifique que se haya instalado el dispositivo antivuelco en el piso o en la pared como nuestro en las instrucciones de instalación.
- Asegúrese de que el dispositivo antivuelco se haya reacomplado cuando mueva la estufa sobre el piso o a la pared.
- No utilice la estufa sin el dispositivo antivuelco instalado y acoplado.
- Si no se siguen estas instrucciones, se puede provocar la muerte o quemaduras graves en niños y adultos.



Tornillo nivelador de la estufa



Fijaciones de anti-inclinación

Para verificar si la fijaciones de anti-inclinación está instalado correctamente, sostenga el borde trasero de la parte trasera de la estufa usando ambos brazos. Intente inclinar la estufa hacia adelante con cuidado. Si está instalada correctamente, la estufa no debería inclinarse hacia adelante.

A. Localice la fijación usando el papel modelo -

Localice la posición de la fijación colocando la plantilla simétricamente a la línea central de la apertura. El soporte antivuelco puede instalarse en el lado izquierdo o derecho en la parte posterior de la estufa. Marque la ubicación de los agujeros de tornillos como se muestra en el papel.

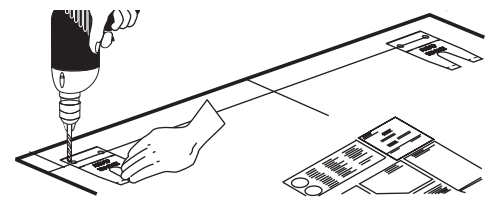
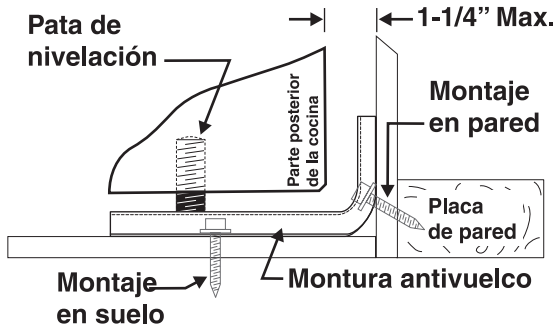


Figura 1

INSTRUCCIONES PARA INSTALACIÓN DE LA ESTUFA ELÉCTRICA DE 30"

B. Perforación de agujeros piloto y montura de sujeción – Perfore un agujero piloto de 1/8" en el lugar en el que se vayan a instalar los tornillos. Si la montura se va a instalar a en la pared, practique un agujero piloto con una inclinación aproximada de 20° hacia abajo. Si la montura se va a instalar sobre hormigón para suelos cerámicos, practique un agujero de 3/16" con una profundidad de 1-3/4". Los tornillos que se suministran pueden utilizarse en hormigón o madera. Para fijar la montura en su sitio, utilice un destornillador de cabeza plana o una llave para apretar tuercas de 5/16".

MONTURA DE SUJECIÓN (MONTAJE EN PARED O SUELO)



MONTURA DE SUJECIÓN (SÓLO MONTAJE EN SUELO)

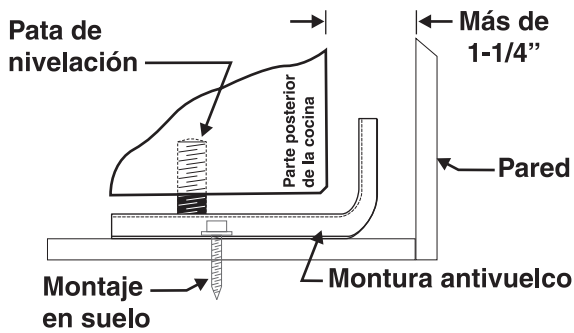


Figura 2

C. Nivele la cocina y coloque la cocina en su lugar. Deslice la estufa a su lugar. Coloque la pata niveladora dentro del braqueto anti-basculante. Verifique visualmente que los soportes antivuelco estén correctamente enganchados (anclados). Nivele la cocina. Nivele la estufa si es necesario, ajustando las 4 patas niveladoras con una llave ajustable. Para verificar que la cocina está nivelada coloque un nivel en las parrillas interior del horno. Tome mínimo 2 lecturas con el nivel, coloque el nivel en diagonal para que la cocina esté nivelada de atrás hacia adelante, si es necesario ajuste las patas niveladoras.

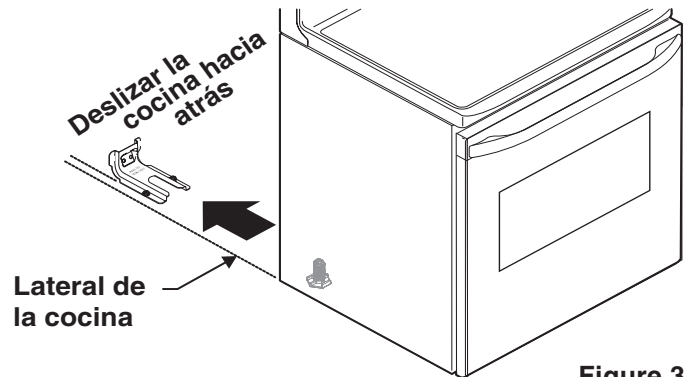


Figure 3

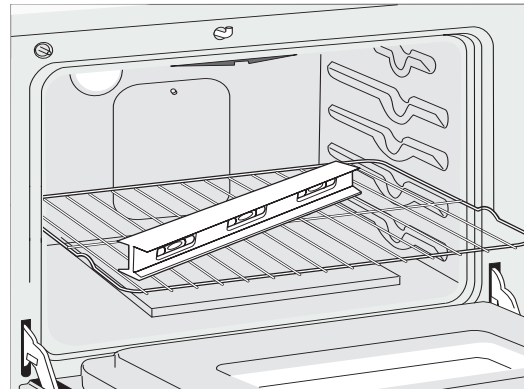


Figure 4

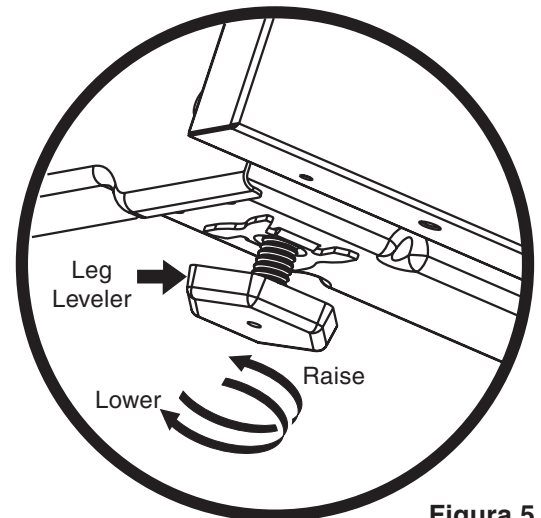


Figura 5

INSTRUCCIONES PARA INSTALACIÓN DE LA ESTUFA ELÉCTRICA DE 30"

2.1 Preparación del suministro de gas y eléctrico

- Las áreas rayadas son las ubicaciones en donde la línea de gas puede entrar el armario (Figura 5a).
- La posición recomendada para la entrada de la línea de gas esta localizada a 7" (17,8 cm) de la pared izquierda y a 2" (5,1 cm) del piso (Figura 5a).
- El área sombreada es la localización en donde la toma eléctrica puede encontrarse (Figura 5a).

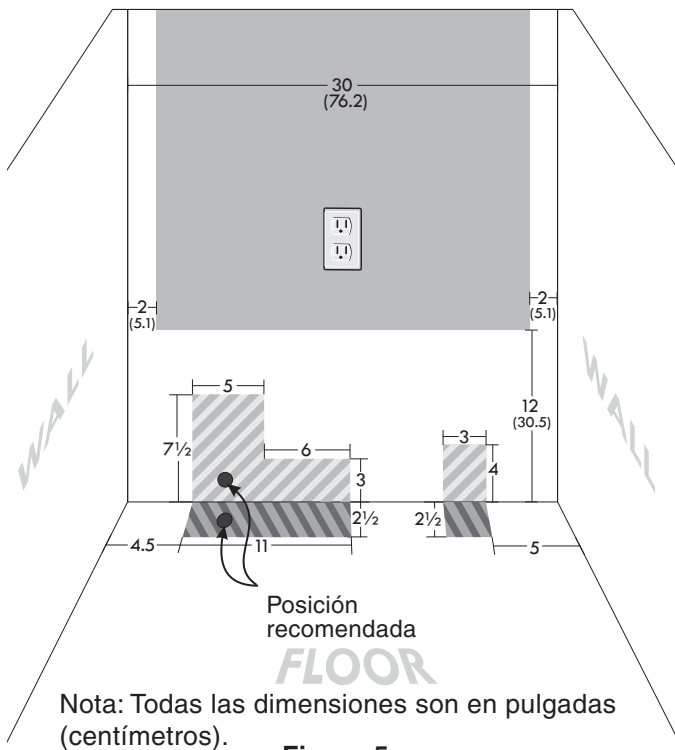
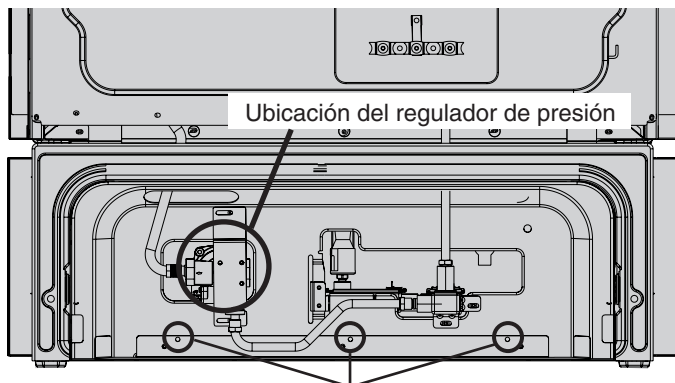


Figure 5a

- Si esta usando una salida de piso de gas, remover la protección de la línea de la parte de abajo de la unidad para permitir el acceso para la tubería de gas (Fig 5b).
- Recomendamos instalar un codo de la tubería tan pronto salga del piso o de la pared alineándolo hacia el centro de la unidad para facilitar instalación.



Para remover la protección de la línea, retire las 3 tornillos.

Figure 5b

2.2 Proporcione un suministro de gas adecuado

Cuándo se envía de la fábrica, esta unidad ha sido ajustada para operar con un múltiple de admisión para gas natural de 4" (10,16 cm) (1,0 kPa). Un regulador de presión convertible esta conectado a la válvula distribuidora y DEBE ser conectado con la tubería del suministro de gas. Si el juego de conversión del propano LP/Propano se ha utilizado, sigue las instrucciones proporcionadas el juego para convertir el regulador de presión al uso de LP/Propano.

Se debe de tener cuidado durante la instalación de la estufa para no obstruir el flujo de aire de combustión y ventilación

Para la operación apropiada, la máxima presión de entrada al regulador no debe exceder la presión de una columna de agua de 14" (35,56 cm) (3,5 kPa). La presión de entrada al regulador debe ser por lo menos 1" (0,25 kPa) más grande que la válvula distribuidora. Ejemplos: Si regulador se pone para el gas natural con una presión de 4" (10,16 cm), la presión de entrada al regulador debe ser por lo menos 5" (12,7 cm); si el regulador se ha convertido para gas LP/Propano 10" (25,4 cm) la presión de entrada al regulador debe ser por lo menos 11" (27,9 cm).

Un examen de detección de fugas del aparato debe ser realizado según las instrucciones en el paso 4.

La línea de fuente de gas debe ser de 1/2" o de 3/4".

3 Selle las aperturas

Sella todas las aperturas en la pared detrás de la estufa y en el suelo debajo de la estufa después que la línea del suministro de gas sea instalada.

INSTRUCCIONES PARA INSTALACIÓN DE LA ESTUFA ELÉCTRICA DE 30"

4 Conecte la estufa al suministro de gas

Importante: Quite todo el material de embalaje y literatura de la estufa antes de conectar el gas y la fuente eléctrica. **Nota:** Para evitar fugas, aplique sellador de tuberías en todas las partes roscadas machos (exterior) de la tubería.

⚠ PRECAUCIÓN No permita que el regulador gire sobre la tubería al apretar las uniones.

Conecte el Regulador de Presión

El regulador de presión está ya instalada para la estufa.

⚠ ADVERTENCIA No haga la conexión demasiado apretada. El regulador es de die cast. El apretar demasiado puede agrietar el regulador dando por resultado una fuga de gas y un fuego o una explosión.

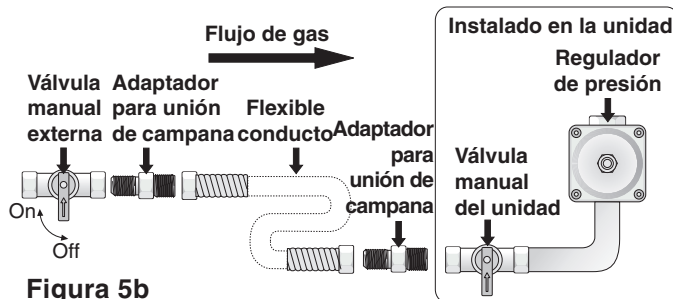


Figura 5b

- Instale una válvula manual externa para cierre de gas hacia la línea de suministro de gas que tenga una ubicación de fácil acceso fuera de la cocina. Asegúrese de conocer dónde y cómo se cierra el suministro de gas hacia la cocina.
- Instale un adaptador para unión de campana de 1/2" hacia el válvula manual del unidad usado NO MAS DE 15 pies/lbs de torque. **NOTA:** Asegurar estabilización del lado derecho de la válvula manual de la unidad antes de ajustar algún complemento a la unidad.
- Apretar el conector flexible de gas y/o el conducto del electrodoméstico para unir con la válvula manual de la unidad usando NO MAS DE 15 pies/lbs de troqué. Asegurar estabilización del adaptador para unión de campana de 1/2" y ajustar con la pinza antes de apretar conector flexible de gas y/o conducto del electrodoméstico.
- Instale el adaptador de la unión de campana hacia la válvula manual externa de cierre.
- Conecte el flexible conducto a la unión de campana en la válvula manual externa de cierre.
- Asegúrese que la válvula manual del unidad y la válvula manual externa se encuentra en la posición de encendido "ON".
- Distribuir el conector flexible de gas como lo muestra fig. 5c a 5e. Esto ayudará a prevenir picaduras o bloqueo de la unidad cuando la unidad sea localizada a su posición final. Ajustar el sujetador proporcionado tal cual la posición mostrada.
- Verifique si existen fugas. Encienda el suministro de gas hacia la cocina y use el detector de derrames de líquidos en todas las uniones y conductos para comprobar la existencia de fugas en el sistema.

⚠ ADVERTENCIA No use fuego para comprobar la existencia de fugas de gas.

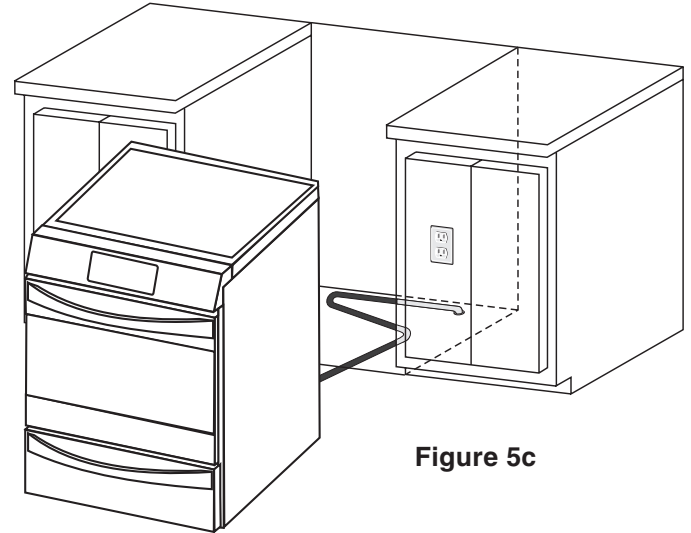


Figure 5c

Nota: El propósito de la distribución del conector flexible de gas es poder posicionar lo de manera que no se bloquee la unidad o se pique en su posición final.

Si la unidad no se encuentra pegada a la pared como usted desea, revise que los tubos de gas que se encuentran en la parte posterior no interfieran, verifique que al colocar la unidad los tubos flexibles no se encuentran bloqueados, tenga cuidado de no romper los tubos flexibles al coloca la unidad

Revisión de la presión de gas en el colector

Desconecte la cocina y su válvula de cierre individual del sistema de tubería del suministro de gas durante cualquier prueba de presión de ese sistema para presiones de prueba superiores a 14" de presión de columna de agua (aproximadamente 1/2" psig).

La aplicación debe aislarse del sistema de la tubería de suministro de gas cerrando su válvula de cierre manual individual durante cualquier prueba de presión del sistema de tubería de suministro de gas para presiones de prueba iguales o mayores a 14" de presión de columna de agua (aproximadamente 1/2" psig).

Si fuera necesario revisar la presión de gas en el colector, conecte el manómetro (medidor de agua) u otro dispositivo de presión al orificio posterior derecho del quemador superior. Usando una manguera de caucho con un diámetro interior de aproximadamente 1/4", sostenga fuerte la tubería hacia abajo sobre el orificio. Encienda la válvula del quemador.

Para una revisión exacta de la presión, tenga por lo menos otros dos (2) quemadores superiores. Asegúrese que la presión del suministro de gas (entrada) se encuentra por lo menos una pulgada por encima de la presión especificada en el colector de la cocina. La presión del suministro de gas nunca debe encontrarse por encima de 14" de la columna de agua. Cuando se encuentra debidamente ajustado para Gas Natural, la presión en el colector es 4" (para PL/Gas Propano, la presión en el colector es 10").

INSTRUCCIONES PARA INSTALACIÓN DE LA ESTUFA ELÉCTRICA DE 30"

5 Requisitos eléctricos

120 voltio, 60 Hertzio, circuito dedicado apropiadamente puestos a tierra protegido por un circuito de amperio o fusible de demora de tiempo de 15 amp.

No utilice una extensión con esta estufa.

Instrucciones de puesta a tierra

IMPORTANTE Por favor lea con cuidado.

Para la seguridad personal, este aparato debe ser puesto a tierra apropiadamente.

El cable del suministro eléctrico de esta estufa está equipado con un enchufe de tres patillas (para puesta a tierra) que coincida con un enchufe de pared estándar con puesta a tierra de tres patillas (figura 6) para minimizar la posibilidad que se produzcan descargas eléctricas.

El cliente deberá encargar a un técnico para asegurarse de que el enchufe se encuentra debidamente conectado a tierra y polarizado. En lugares en los que aya un enchufe de pared

Método preferido

Enchufe de pared con toma de tierra



No corte, retire o derribe, bajo ninguna circunstancia, la patilla de la toma de tierra del enchufe

Cable de suministro eléctrico con enchufe con toma de tierra

Figura 6

estándar de dos patillas, el cliente tendrá responsabilidad directa y la obligación de reemplazarlo por un enchufe de pared de tres patillas debidamente cableado a tierra.

Bajo ninguna circunstancia, corte, retire o derribe la tercera patilla (de toma de tierra) del cable del suministro de energía eléctrica.

⚠ ADVERTENCIA Desenchufe el cable del suministro de energía eléctrica del enchufe de pared antes dar mantenimiento a la plancha de cocina.

6 Montaje de las Cabezas, de las Tapas de los Quemadores y de las Rejillas de los Quemadores

Refiera al [Manual del Usuario](#) que viene con la plancha de cocinar para las instrucciones de funcionamiento y el mantenimiento y la limpieza de su plancha de cocinar.

Instalación de las tapas de quemadores

Esta plancha de cocinar está equipada con quemadores sellados. Todas las piezas están en su lugar. Tome nota en donde están. Quite todo el material de protección. El reborde de la tapa del quemador (vea la Fig. 7) debe calzar firmemente en el centro de la cabeza del quemador y quedar nivelado. Consulte la figuras 8 y 9 para conocer las maneras correctas e incorrectas de colocar la tapa del quemador. Una vez que esté en su lugar, puede verificar si cabe deslizándola suavemente de lado a lado (Fig 10) para asegurarse de que esté centrada y firmemente asentada. Cuando el reborde de la tapa del quemador haga contacto en el centro de la cabeza del quemador, podrá escuchar un chasquido. Tenga en cuenta que la tapa del quemador **NO** se debe mover del centro de la cabeza del quemador cuando intente moverla de lado a lado. **NOTA:** No es necesario realizar ajustes en los quemadores de esta plancha de cocinar.

Tapa del quemador

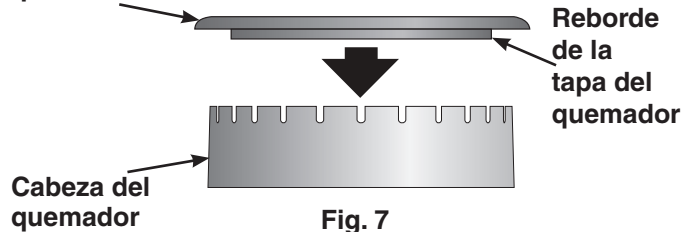
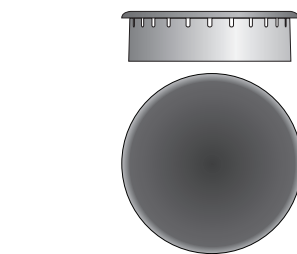
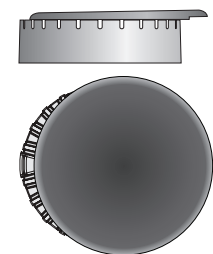


Fig. 7



Colocación correcta de la tapa del quemador
Fig. 8



Colocación incorrecta de la tapa del quemador
Fig. 9

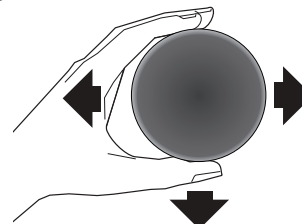


Fig. 10

INSTRUCCIONES PARA INSTALACIÓN DE LA ESTUFA ELÉCTRICA DE 30"

7 Comprobación de los Encendedores

El funcionamiento de los encendedores eléctricos debe ser comprobado después de que la estufa y los conectores a la tubería de suministro de gas hayan sido comprobados para las fugas y la estufa haya sido conectada eléctricamente. Para comprobar que el encendido sea correcto:

- Empuje y gire un botón control del quemador superior hasta la posición LITE (encender). Se podría oír el encendedor haciendo chispas.
- El quemador se deberá encender en cuatro (4) segundos para un funcionamiento normal, después de que el aire haya sido purgado de la tubería de suministro de gas. Controle visualmente que el quemador se haya encendido.
- Después de que el quemador se haya encendido, la plancha de cocina debe ser girada fuera de la posición LITE.
- Cada quemador tiene su encendedor individual. Controle las perillas separadamente hasta que todas las válvulas hayan sido controladas.

8 Ajuste de la Posición LOW (BAJA) Para la Válvula del Quemador Superior

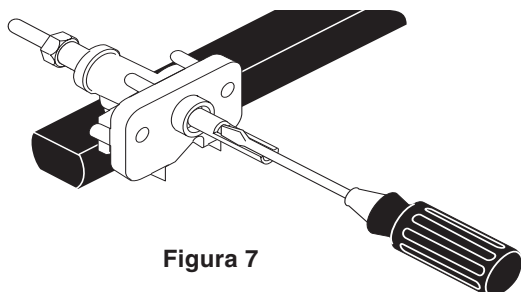
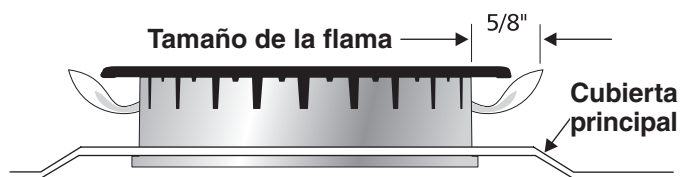


Figura 7

- Gire el botón de control a la posición LITE (encender) hasta que el quemador encienda.
- Rápidamente gire el botón de control a la POSICIÓN MAS BAJA.
- Si el quemador se apaga. Mueva el control a la posición OFF (apagada).
- Saque la perilla de control del quemador superior.
- Inserte un destornillador plano pequeño en el hueco del vástago del a válvula hasta enganchar el tornillo interior.



Ajuste el tamaño de la llama hasta que pueda pasar rápidamente de la posición LITE hasta la posición MAS BAJA sin que se apague la llama. La llama debe ser lo más pequeña posible sin que se apague.

9 Operación de Quemadores del Horno y Ajustes de Horno

Quemadores de ignición eléctrica

La operación de los encendedores eléctricos debe de ser revisada después de que la cocina y los conectores de la línea de suministro haya sido cuidadosamente revisada para descartar fugas y que la cocina haya sido conectada a la corriente eléctrica.

El quemador del horno está equipado con un sistema de control eléctrico así como un encendedor de quemador de horno eléctrico. Si su modelo esta equipado con un quemador de asado central superior, también contará con un encendedor de quemador eléctrico. Estos sistemas de control no requieren ajustes. Cuando el horno esta configurado para operar, la corriente fluirá hacia el encendedor y tendrá un resplandor de manera similar a una bombilla de luz. Cuando el encendedor a alcanzado una temperatura suficiente para encender el gas, la válvula del horno controlada eléctricamente se abrirá y el fuego aparecerá en el quemador del horno. Hay un lapso de tiempo de 30 a 60 segundos después de que el termostato se enciende y antes de que la llama aparezca en el quemador del horno. Cuando el horno alcanza la configuración del dial, el encendedor resplandeciente se apagará. La llama del quemador desaparecerá por 20 a 30 segundos después de que el encendedor se apaga. Para mantener cualquier temperatura de horno dada, este ciclo continuará tanto como el dial (o visualizador) esté configurado para operar.

Después de retirar todos los materiales del empaque y la literatura del horno:

- Fije el horno inferior en HORNEAR (BAKE) a 300°F. Vea la guía de Uso y Cuidado para conocer las instrucciones de funcionamiento.
- En 60 segundos el quemador del horno se encenderá. Revise que exista un fuego adecuado, y permita que el quemador cumpla su ciclo una vez. Gire los controladores hacia OFF (APAGADO).
- Repita paso A y B con el horno superior.
- Fije el horno superior en ASAR (BROIL). Vea la guía de Uso y Cuidado para conocer las instrucciones de funcionamiento.
- En 60 segundos el quemador de asar debe de encenderse. Revise si exista una llama adecuada. Gire los controles hacia off (APAGADO).

INSTRUCCIONES PARA INSTALACIÓN DE LA ESTUFA ELÉCTRICA DE 30"

10 Obturador de aire - Quemador de asado

La longitud aproximada de la llama del quemador de asado es 1 pulgada (interior claro, llama azul). Para determinar si la llama del quemador de asado es la adecuada, poner el horno en la opción asar.

Si la llama es de color amarillo, aumente el tamaño de la abertura del obturador de aire (Vea el tamaño "2" en el gráfico de abajo). Si la llama es de azul claro, reduzca el tamaño de la abertura del obturador de aire, y ajuste el tornillo de cierre.

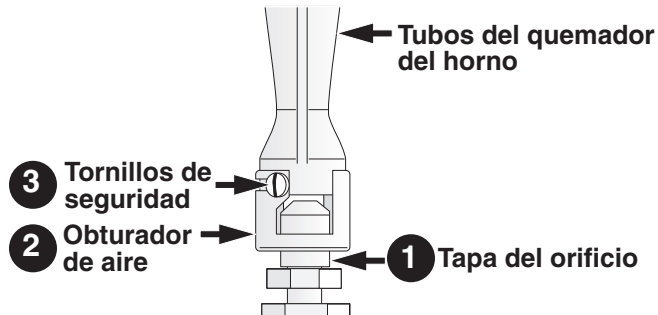


Figura 8

11 Asegúrese que la cocina está nivelada.

Nivele la cocina colocando un nivelador de manera horizontal sobre un soporte para hornos. Revise diagonalmente desde la parte anterior hacia atrás, luego nivele la cocina ya sea ajustando las patas de nivelación o colocando cuñas debajo de las esquinas de la cocina según sea necesario.

12 Luego que la instalación ha sido terminada, asegúrese que todos los controles son dejados en la posición de OFF (APAGADO).

Conversión para uso de Propano Líquido

Este aparato puede ser usado con gas natural o propano líquido. Ha sido ajustado en la fábrica para operar con gas natural solamente.

Si desea convertir su estufa para uso con propano líquido, use los orificios provistos ubicados en el bolso que contiene la literatura titulada "FOR LP/PROPANE GAS CONVERSION." Siga las instrucciones que vienen con los orificios.

La conversión debe ser efectuado por un técnico de servicio capacitado, de acuerdo con las instrucciones del fabricante y con todos los códigos y requisitos de las autoridades correspondiente. El no seguir las instrucciones podría dar como resultado lesiones graves o daños a la propiedad. El organismo autorizado para llevar a cabo este trabajo asume la responsabilidad de la conversión.

⚠ ADVERTENCIA La falta de una conversión apropiada puede resultar en lesiones graves y daños a la propiedad.

Cuidado, limpieza y mantenimiento

Refiérase a la Guía de Uso y Cuidado para conocer las instrucciones de limpieza.

Si es necesario retirar la cocina para la limpieza o mantenimiento, cierre el suministro de gas. Desconecte el suministro de gas y el suministro eléctrico. Si no tiene acceso al suministro de gas o eléctrico, levante la unidad levemente en el frente y sepárela de la pared. Jale sólo lo necesario para desconectar el suministro de gas y de electricidad. Termine de retirar la unidad para realizar el servicio técnico y la limpieza. Vuelva a instalar en el orden inverso asegurándose de nivelar la cocina y revise las conexiones de gas para descartar la existencia de fugas.

Antes de Llamar al Servicio

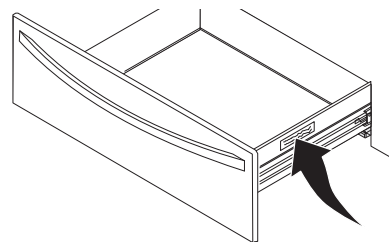
Lea la sección Evite Llamadas de Servicio en su Manual del Usuario. Esto le podrá ahorrar tiempo y gastos. Esta lista incluye ocurrencias comunes que no son el resultado de defectos de materiales o fabricación de este artefacto.

Lea la garantía y la información sobre el servicio en su Manual del Usuario para obtener el número de teléfono gratuito y la dirección del servicio. Por favor llame o escriba si tiene preguntas acerca de su estufa o necesita repuestos. Refiere a el guío Uso y Cuido para los numeros de teléfono del Servicio.

Placa de Identificación

Esta placa de identificación está localizada sobre el marco. Consulte la placa de identificación para obtener la siguiente información:

- A. Números de modelo, partida y serie de la estufa.
- B. Tasa de kilovatios (requerimientos de energía.)
- C. Tasa de voltaje.



INSTRUCTIONS D'INSTALLATION POUR CUISINIÈRE À GAZ DE 30"

L'INSTALLATION ET L'ENTRETIEN DOIVENT ÊTRE EFFECTUÉS PAR UN
INSTALLATEUR QUALIFIÉ.

**IMPORTANT: CONSERVEZ POUR L'INSPECTEUR D'ÉLECTRICITÉ LOCAL.
LISEZ ET CONSERVEZ CES INSTRUCTIONS POUR RÉFÉRENCES ULTÉRIEURES.**



⚠ AVERTISSEMENT POUR VOTRE SÉCURITÉ: N'entreposez pas
ou n'utilisez pas d'essence ou d'autres produits inflammables à
proximité de cet appareil ou de tout autre appareil électroménager.



⚠ AVERTISSEMENT Si les instructions de ce manuel ne
sont pas suivies à la lettre, il pourrait en résulter un
incendie ou une explosion susceptible de causer des
dommages matériels, des blessures ou même la mort.

POUR VOTRE SÉCURITÉ:

- N'entreposez et n'utilisez pas d'essence ou d'autres
produits inflammables à proximité de cet appareil ou de
tout autre appareil.
- **QUE FAIRE SI VOUS DÉCELEZ UNE ODEUR DE GAZ:**
 - Ne tentez d'allumer aucun appareil.
 - N'actionnez aucun interrupteur électrique; n'utilisez
aucun appareil téléphonique de l'édifice.
 - Communiquez immédiatement avec votre fournisseur
de gaz en vous servant du téléphone d'un voisin. Suivez
les instructions que le fournisseur vous donnera.
 - S'il vous est impossible de rejoindre votre distributeur
de gaz, communiquez avec le service d'incendie.
- L'installation et l'entretien doivent être effectués par
un installateur qualifié, un service d'entretien ou de
réparation accrédité ou le distributeur de gaz.

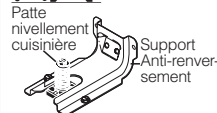
⚠ AVERTISSEMENT Risque de basculer



- Un enfant ou un adulte peut faire basculer
la cuisinière et en décéder.
- Vérifiez que le dispositif anti-renversement a
été fixé au plancher ou au mur tel qu'indiqué
dans les instructions d'installation.
- Assurez-vous d'enclencher le dispositif anti-
renversement lorsque la cuisinière est déplacée sur le
plancher ou contre le mur.
- Ne faites pas fonctionner la cuisinière si le dispositif n'est
pas en place et enclenché.
- Le non respect de ces instructions peut causer des
blessures fatales ou de graves brûlures aux enfants et
aux adultes.



Patte
nivellement
cuisinière



Pour vérifier si le support anti-renversement
est correctement installé, attrapez le bord
arrière de la cuisinière à deux mains. Essayez
doucement de faire basculer la
cuisinière vers l'avant. Lorsque le
support est correctement installé,
la cuisinière ne doit pas basculer
vers l'avant

Note: Appareil installé dans l'état du
Massachusetts référez vous à la page 2.

Table des matières:

Notes importantes à l'installateur	21
Note importante au consommateur	21
Espace prévu et dimensions	22
Instructions de sécurité importantes.....	23
Outils requis.....	24
Étapes pour l'installation normale:	
1. Instructions pour l'installation du support anti- basculer.....	24-25
2. Alimentation en gaz	26
3. Scellez les ouvertures.....	26
4. Branchez le gaz à la cuisinière	27
5. Requis électriques	28
6. Mise en place des couvercles de brûleurs.....	28
7. Vérification des allumeurs électriques des brûleurs de surface	29
8. Réglez la position "LOW" des robinets des brûleurs de surface	29
9. Fonctionnement et réglage des brûleurs du four ...	29
10. Brûleur du four à clapet d'heure.....	30
11. Assurez-vous que la cuisinière est à niveau	30

12. Lorsque l'installation est terminée, assurez-vous que
toutes les commandes sont en position Arrêt (OFF)....
- 30
- Conversion au gaz propane.....
- 30
- Entretien et nettoyage de l'appareil
- 30
- Avant d'appeler le service d'entretien
- 30
- Information concernant la plaque de série
- 30

Notes importantes à l'Installateur

1. Lisez toutes les instructions contenues dans les
Instructions d'installation avant d'installer la cuisinière.
2. Enlevez tout le matériel d'emballage des compartiments
du four avant de connecter l'alimentation à gaz et
électrique à la cuisinière.
3. Respectez tous les codes et règlements applicables.
4. N'oubliez pas de laisser ces instructions au consommateur.
5. Note: Pour utilisation de l'appareil à 2000 pieds au-
dessus du niveau de la mer, la puissance des brûleurs
doit être réduite de 4% pour chaque 1000 pieds
supplémentaires.

Note importante au consommateur

Conservez ces instructions avec le guide de l'utilisateur
pour référence ultérieure.

P/N 809127202 (1606) Rev. D

English – pages 1-10

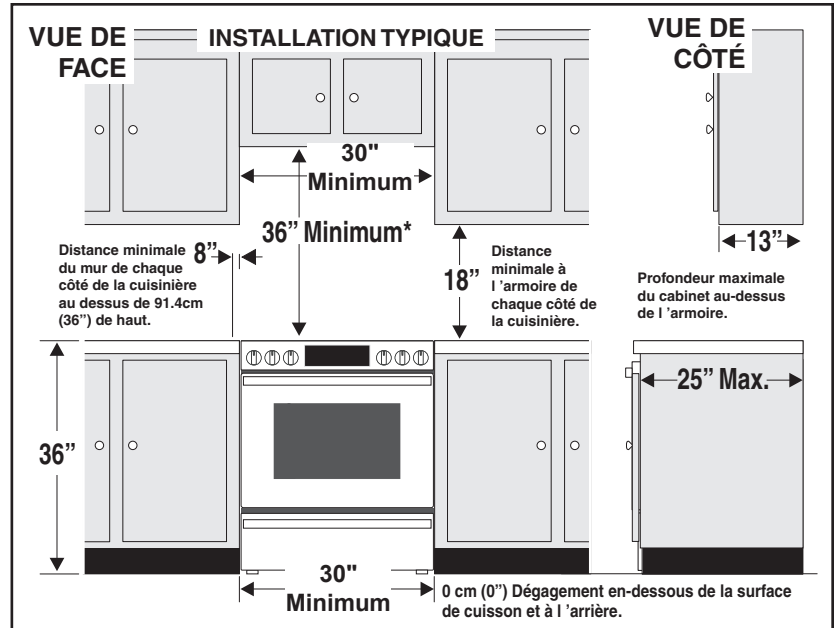
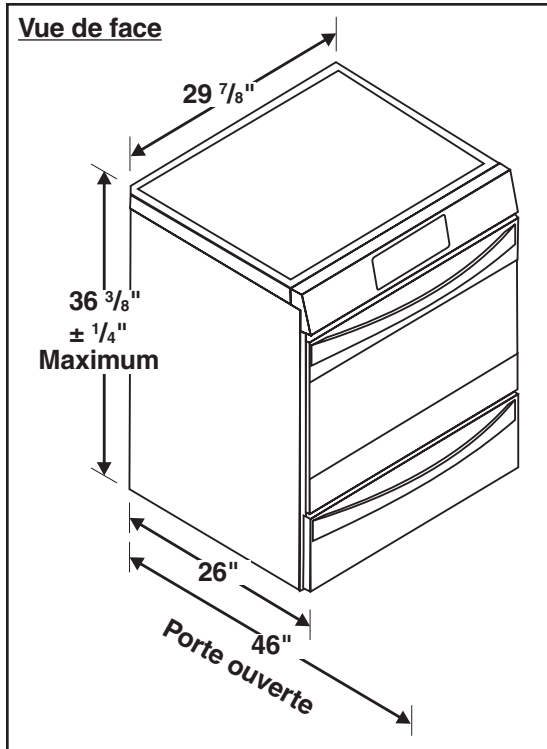
Spanish - pages 11-20

Français - pages 21-30

INSTRUCTIONS D'INSTALLATION POUR CUISINIÈRE À GAZ DE 30" MUNIE DE DEUX FOURS

Espace prévu et dimensions

1. **Emplacement– Vérifiez l'endroit où la cuisinière sera installée.** Assurez-vous qu'il y a une source d'alimentation électrique adéquate et une sortie de gaz que le plancher est solide.
2. **Les dimensions qui sont données doivent être respectées.** Ces dimensions allouent un minimum de jeu. Les surfaces en contact doivent être solides et de niveau.



* Espace minimum de 91,4 cm (36") entre le dessus de la surface de cuisson et le dessous d'une armoire en bois ou en métal non protégée, ou espace minimum de 61 cm (24") si le fond de l'armoire en bois ou en métal est protégé par un panneau résistant au feu d'au moins 0,64 cm (1/4") recouvert d'une feuille d'acier doux dont l'épaisseur est au moins de 0,038 cm (0,015") si en acier inoxydable; de 0,061 cm (0,024") si en aluminium ou de 0,051cm (0,020") si en cuivre. Aucun espace est requis à l'arrière. Respectez toutes les dimensions indiquées ci dessus afin d'éviter des dommages à la propriété, de créer un danger potentiel d'incendie et de faire des découpages incorrects du comptoir et de l'armoire.

Évitez d'ajouter des espaces de rangement au-dessus de l'appareil pour éliminer tout risque de brûlures ou de feu en vous penchant au-dessus de surfaces chaudes pour prendre des objets. Si des espaces de rangement doivent être ajoutés, les risques peuvent être réduits en installant une hotte qui excède le devant de l'armoire d'au moins 12,7 cm (5").

⚠ AVERTISSEMENT NE TENTEZ PAS D'UTILISER LES ALLUMEUR ÉLECTRIQUE DU FOUR DURANT UNE PANNE DE COURANT. REMPLACEZ LA COMMANDE DU FOUR À LA POSITION ARRÊT LORSQU'UNE PANNE DE COURANT SURVIENT. Les allumeurs électriques tenteront de redémarrer le four lorsque le courant reviendra si la commande a été laissée en marche. Lorsqu'une panne de courant survient, les brûleurs de surface continuent de fonctionner. S'ils ne sont pas en marche, ils peuvent être allumés manuellement. Tenez une allumette allumée près du brûleur et tournez lentement le bouton de ce brûleur à la position LITE. Soyez très prudent.

Appareils électroménagers installés dans l'état du Massachusetts:

Cet appareil peut être installé dans l'état du Massachusetts par un plombier ou un monteur d'installation au gaz titulaire d'un permis.

Un connecteur à gaz flexible de 3 pieds / 36 pouces doit être utilisé pour installer cet appareil.

Une valve à gaz possédant une poignée en "T" doit être installée à la ligne de gaz reliée à cet appareil.

INSTRUCTIONS D'INSTALLATION POUR CUISINIÈRE À GAZ DE 30" MUNIE DE DEUX FOURS

INSTRUCTIONS DE SÉCURITÉ IMPORTANTES

Cette cuisinière doit être installée conformément aux règlements locaux, ou en leurs absences, conformément aux normes de la National Fuel Code ANSI Z223.1/NFPA .54-dernière éditions aux États-Unis ou aux normes CAN/ACG-B149.1 et CAN/ACG-B149.2 au Canada.

L'installation d'appareils conçus pour les maisons (mobiles) doit se conformer aux normes de la Manufactured Home Construction and Safety Standard, titre 24CFR, partie 3280 [antérieurement Federal Standard for Mobile Home Construction and Safety, titre 24, HUD (partie 280)] ou, lorsque les standards ne sont pas applicables, aux normes de la Manufactured Home Installation, ANSI/NCSBCS A225.1, ou aux codes locaux aux États-Unis ou lorsque l'installation se fait au Canada, aux codes ANSI Z225.1/NFPA 501A-dernière édition, ou CAN/CSA Z240MH.

La conception de cette cuisinière a été approuvée par l'agence International CSA. Il faut prendre certaines précautions d'usage lors de l'utilisation de tout appareil fonctionnant au gaz naturel ou produisant de la chaleur. Vous trouverez celles-ci dans votre [Guide d'utilisateur](#), lisez-les avec attention.

- **Assurez-vous que votre cuisinière est correctement installée et mise à la terre par un installateur ou un technicien d'entretien qualifié.**
- **Le circuit électrique de cette cuisinière doit être mis à la terre conformément aux règlements locaux, ou en leur absence, à la norme ANSI/NFPA No.70-dernière édition du National Electrical Code aux États-Unis ou au Canada à la norme CSA C22.1, code électrique Canadien, partie 1.** Voir les instructions de mise à la terre.
- Avant d'installer la cuisinière à un endroit recouvert de linoléum ou de tout autre couvre-plancher synthétique, assurez-vous que celui-ci peut résister à un minimum de 90°F (32.2°C) de chaleur au-dessus de la température de la pièce sans se rapetisser, se déformer ou se décolorer. N'installez pas la cuisinière sur un tapis, à moins de placer un tampon isolant ou une feuille de contreplaqué d'une épaisseur de ¼" (0.6 cm) entre la cuisinière et le tapis.
- Assurez-vous que la tapisserie à proximité du four peut résister à la chaleur générée par la cuisinière.
- **Ne bloquez pas la circulation d'air à l'orifice de ventilation du four ni autour de la base ou sous le panneau inférieur avant de la cuisinière.** Évitez de toucher les ouvertures de l'orifice de ventilation ou les surfaces avoisinantes car elles risquent de devenir chaudes lorsque le four fonctionne. Les brûleurs ont besoin d'air frais pour assurer une bonne combustion.

- **Les rideaux d'air ou les hottes de cuisinières qui projettent un courant d'air descendant vers la table de cuisson, ne doivent pas être utilisés avec des appareils à gaz, sauf si la hotte et l'appareil ont été conçues, testées et répertoriées par un laboratoire d'essai indépendant pour pouvoir fonctionner conjointement.**

⚠ AVERTISSEMENT Ne laissez jamais les enfants seuls ou sans surveillance près d'un appareil en fonctionnement. Apprenez-leur à utiliser les appareils électroménagers de façon sécuritaire et appropriée. Ne laissez jamais la porte du four ouverte lorsque la cuisinière est sans surveillance.


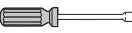
⚠ AVERTISSEMENT Le fait de monter sur les portes ou les tiroirs de cette cuisinière, de s'y appuyer ou de s'y asseoir peut occasionner des blessures graves, et endommager l'appareil.

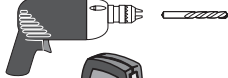
- N'entrez pas d'objets susceptibles d'intéresser les enfants dans les armoires situées au-dessus de la cuisinière. Ils risquent de se brûler sérieusement s'ils tentent de grimper sur l'appareil.
- Évitez de placer des armoires de rangement au-dessus des brûleurs afin d'éliminer les gestes inutiles au-dessus de ceux-ci.
- Réglez la flamme du brûleur pour qu'elle ne dépasse pas le bord de l'ustensile utilisé pour la cuisson. Une flamme excessive est dangereuse.
- N'utilisez pas le four à des fins de rangement. Ceci génère une situation éventuellement dangereuse.
- N'utilisez jamais votre cuisinière pour réchauffer ou chauffer la pièce. L'utilisation prolongée de la cuisinière sans une ventilation adéquate peut s'avérer dangereuse.
- Ne gardez pas de produits combustibles, d'essence et d'autres produits inflammables à proximité de cet appareil ou de tout autre appareil. Il pourrait en résulter des explosions ou un incendie.
- Lors d'une panne de courant électrique, les brûleurs de surface peuvent être allumés manuellement; placez une allumette allumée près de la tête du brûleur et tournez lentement le bouton de commande de surface à la position LITE. Redoublez de prudence si vous allumez un brûleur de surface manuellement.
- Remplacez toutes les commandes à la position arrêt "off" après l'utilisation d'une fonction programmable chronométrée.
- Enlevez la lèchefrite, les aliments et les autres ustensiles avant de faire un cycle autonettoyant du four. Essayez tous les renversements excessifs. Suivez les instructions pour le pré-nettoyage dans le Guide de l'utilisateur.
- Comme sur les cuisinières standard à gaz, LA TABLE DE CUISSON DE CET APPAREIL N'EST PAS AMOVIBLE. Ne tentez pas de l'enlever.

INSTRUCTIONS D'INSTALLATION POUR CUISINIÈRE À GAZ DE 30" MUNIE DE DEUX FOURS

Outils requis

Pour les pattes de nivellement et le support anti-bascule:

- Clé à molette ou pinces multiprises 
- 5/16" tournevis à douille ou tournevis à tête plate 

- Perceuse & foret de 1/8" diamètre (Si installer dans le béton, foret de maçonnerie de 5/32") 

- Niveau & ruban à mesurer 


Pour la connexion au gaz:

- Clé à tuyau 
- Brosse 


Pour l'ajustement de la flamme:

- Tournevis à tête Phillips  et à tête plate 

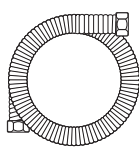
Pour la conversion du gaz (LP/Propane ou Naturel):


- Clé à fourches - 1/2" 

Matériel supplémentaire:

- Valve d'arrêt pour la ligne de gaz 

- Scellant à joints résistant au gaz propane 

- Un nouveau conduit flexible pour appareil électroménager design certifié par CSA (1/2" NPT x 3/4" ou 1/2" I.D.). Étant donné que les tuyaux solides restreignent le déplacement de l'appareil, nous recommandons d'utiliser un conduit flexible (4 pieds de long) pour toute nouvelle installation et réinstallation. 

- Utiliser toujours les adaptateurs (2) de 1/2" NPT x 3/4" or 1/2" I.D.) fournis avec le nouveau conduit flexible pour le branchement des appareils électroménagers. 

Étapes pour l'installation normale

1 Instructions pour l'installation du support anti-bascule - Avertissement important sur la sécurité

La cuisinière doit être fixée au plancher pour éviter qu'elle ne se renverse. Ceci se réalise en installant un support anti-bascule à l'aide des vis fournies avec la cuisinière. Si le support n'est pas installé, la cuisinière peut basculer lorsqu'un poids excessif est exercé sur une porte ouverte ou qu'un enfant monte dessus. Des blessures graves peuvent s'ensuivre provenant de la cuisinière elle-même ou du renversement de liquides chauds.

S'il faut déplacer la cuisinière à un autre endroit, le support doit aussi être enlevé et réinstallé au nouvel emplacement.

Les instructions fournies sont prévues pour l'installation dans le bois ou dans le béton, dans le plancher. Lors de l'installation, assurez-vous que les vis ne pénètrent pas dans un câblage électrique ou des accessoires de plomberie.

AVERTISSEMENT Risque de basculer



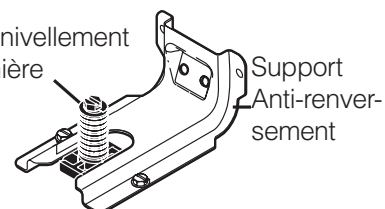
- Un enfant ou un adulte peut faire basculer la cuisinière et en décéder.
- Vérifiez que le dispositif anti-renversement a été fixé au

plancher ou au mur tel qu'indiqué dans les instructions d'installation.

- Assurez-vous d'enclencher le dispositif anti-renversement lorsque la cuisinière est déplacée sur le plancher ou contre le mur.
- Ne faites pas fonctionner la cuisinière si le dispositif n'est pas en place et enclenché.
- Le non respect de ces instructions peut causer des blessures fatales ou de graves brûlures aux enfants et aux adultes.



Patte nivellement cuisinière



Support Anti-renversement

Pour vérifier si le support anti-renversement est correctement installé, attrapez le bord arrière de la cuisinière à deux mains. Essayez doucement de faire basculer la cuisinière vers l'avant. Lorsque le support est correctement installé, la cuisinière ne doit pas basculer vers l'avant.

A. Positionnement du support à l'aide du gabarit

Positionnez le support (du côté droit ou gauche) en plaçant le gabarit symétriquement au centre de l'emplacement final de l'appareil. Marquez les trous du support, tel que montré sur le gabarit (droite ou gauche).

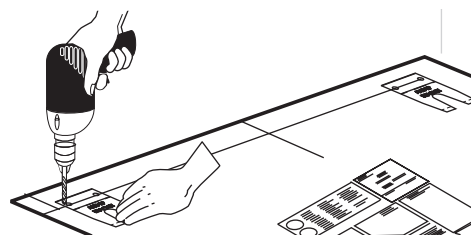


Figure 1

INSTRUCTIONS D'INSTALLATION POUR CUISINIÈRE À GAZ DE 30" MUNIE DE DEUX FOURS

B. Percez des avant-trous et fixez le support

Percez un avant-trou de 1/8 po (3,2 mm) là où seront situées les vis. Si le support doit être monté au mur, percez un avant-trou à une inclinaison d'environ 20° vers le bas. Si vous installez le support sur un plancher en céramique ou maçonnerie, percez un avant-trou de 3/16 po (4,8 mm) à une profondeur de 1-3/4 po (4,44 cm). Les vis fournies pourront être utilisées dans le bois comme dans le béton. Utilisez un tourne-écrou de 5/16 po ou un tourne-vis à lame plate pour fixer le support en place.

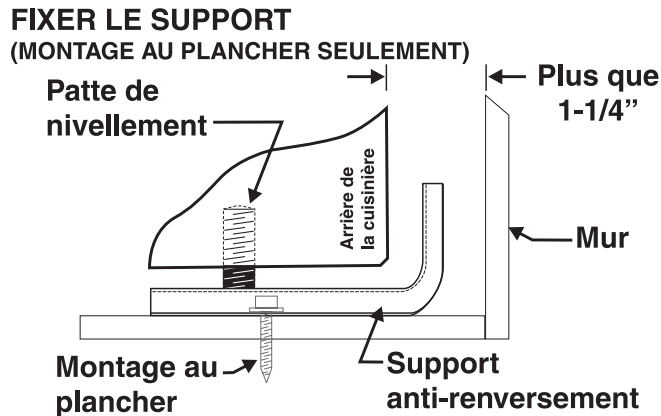
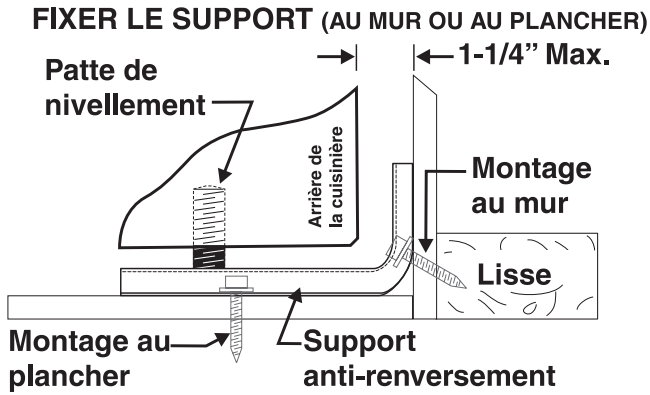


Figure 2

C. Mise en place et mise à niveau de l'appareil

- Glissez l'appareil à son emplacement final. Insérez la patte de nivellement de l'appareil dans le support anti-bascule. Vérifiez visuellement si la patte est engagée dans le support. Baissez et nivelez l'appareil en ajustant les 4 pattes de nivellement. Vérifiez si l'appareil est à niveau en plaçant un niveau sur la grille placée au centre du four. Prenez deux lectures en diagonal d'un côté et de l'autre. Nivelez l'appareil si nécessaire en ajustant les pattes de nivellement.

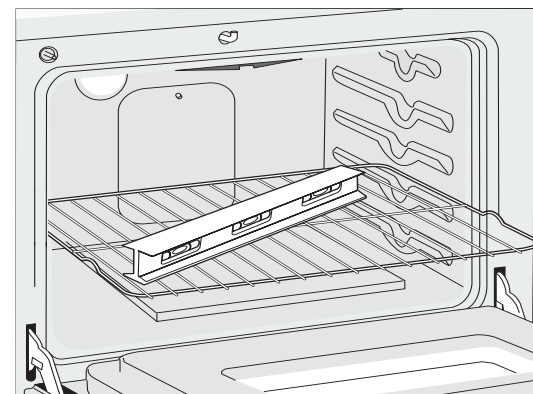
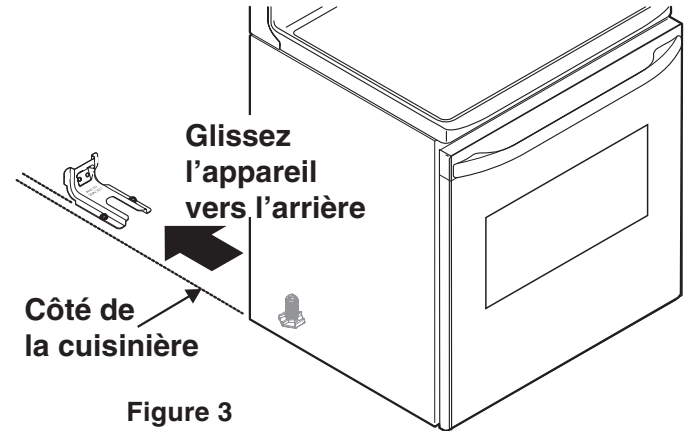


Figure 4

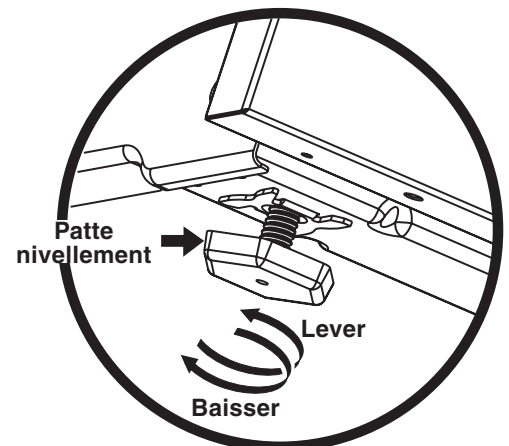


Figure 5

INSTRUCTIONS D'INSTALLATION POUR CUISINIÈRE À GAZ DE 30" MUNIE DE DEUX FOURS

2.1 Préparation de l'entrée de gaz et électrique

- La région hachurée indique l'emplacement que vous pouvez utiliser pour faire entrer la ligne de gaz (figure 5a).
- La position recommandée pour l'entrée de la ligne de gaz est située à 7" (17,8 cm) du mur gauche de l'armoire et à 2" (5,1 cm) du planché (figure 5a).
- La région ombragée indique l'emplacement que vous pouvez utiliser pour la prise électrique (figure 5a).
- **Si votre ligne de gaz passe au travers du plancher, vous devez retirer le protecteur du bas de l'appareil pour obtenir l'espace nécessaire (figure 5b).**
- Nous recommandons d'installer un coude sur la ligne de gaz à la sortie du mur ou du plancher dirigé vers le centre de l'appareil pour faciliter l'installation.

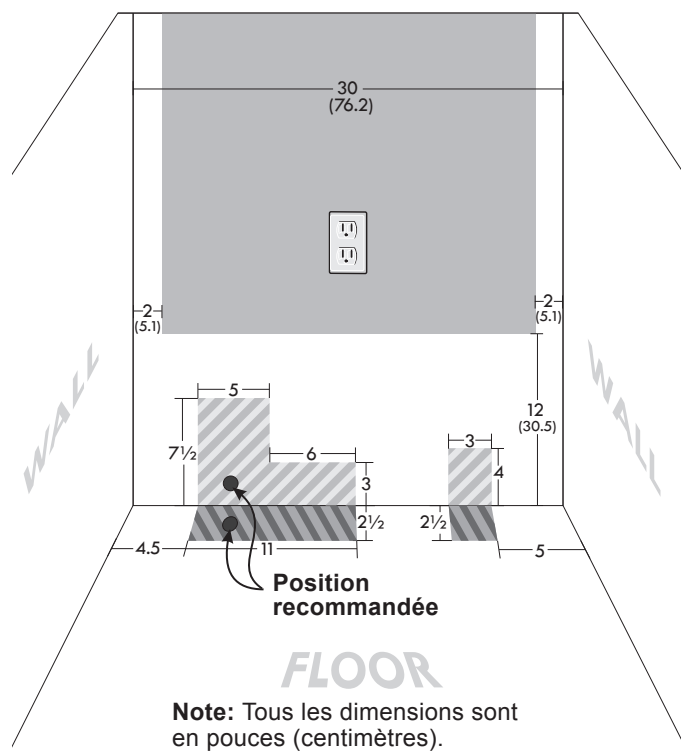
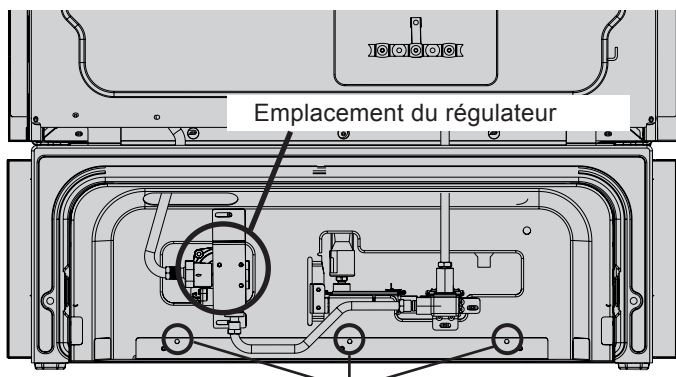


Figure 5a



Pour retirer le protecteur, enlever ces 3 vis.

Figure 5b

2.2 Alimentation en gaz – Installation

Cet appareil a été conçu en usine pour fonctionner au gaz naturel avec une pression d'admission de 4" (10,16 cm) de colonne d'eau (1.0 kpa). Un régulateur de pression convertible est branché avec la rampe à gaz de la cuisinière, et DOIT RESTER connecté en série avec le tuyau d'alimentation. Si un kit de conversion au gaz propane est utilisé, suivez les instructions de conversion comprises dans le feuillet fourni pour convertir le régulateur pour être utilisé avec le gaz propane.

Une attention particulière doit être prise lors de l'installation de l'appareil pour ne pas obstruer la prise d'air pour la combustion et le conduit de ventilation de l'appareil.

Pour un utilisation adéquat, la pression intérieure maximale au régulateur ne doit pas être supérieure à 14" (35,56 cm) (3.5 kpa) de pression de colonne d'eau. La pression d'admission au régulateur doit être supérieure d'au moins un pouce (ou de 0,25 kpa) au régulateur ajusté à la rampe à gaz. Pour le gaz naturel, le régulateur étant ajusté à 4" (10,16 cm) de pression (1,0 kpa), la pression d'admission doit être d'au moins 5" (12,7 cm) de colonne d'eau (1,25 kpa). Pour le gaz propane, le régulateur étant ajusté à 10" (25,4 cm) de pression (2,5 kpa), la pression d'admission doit être d'au moins 11 po (27,9 kpa).

La ligne d'alimentation doit être munie d'un robinet d'arrêt approuvé (voir Figure 6). Ce robinet doit se trouver dans la même pièce que la cuisinière et à un endroit qui permette de l'ouvrir et de le fermer facilement. Ne bloquez pas l'accès au robinet d'arrêt. Il est destiné à ouvrir et à fermer l'alimentation en gaz de l'appareil.

Les tests pour vérifier les fuites de gaz doivent être faits selon les instructions de l'étape 4.

La ligne de gaz doit être de 1/2" (1,3 cm) ou de 3/4" (1,9 cm) de diamètre intérieur.

3 Scellez les ouvertures

Scellez toutes les ouvertures dans le mur à l'arrière de la cuisinière ainsi que celles dans le plancher sous l'appareil une fois que la ligne de gaz est installée.

INSTRUCTIONS D'INSTALLATION POUR CUISINIÈRE À GAZ DE 30" MUNIE DE DEUX FOURS

4 Branchez le gaz à la cuisinière

Important: Enlever tout le matériel d'emballage des compartiments du four avant de brancher l'alimentation à gaz et électrique à la cuisinière.

⚠ MISE EN GARDE Ne laissez pas le régulateur glisser sur le tuyau lors du branchement.

Branchement du régulateur de pression

Le régulateur est installé à l'appareil.

⚠ AVERTISSEMENT Ne serrez pas trop les raccords. Le régulateur est moulé sous pression. Un serrage excessif pourrait le fissurer et provoquer une fuite de gaz susceptible de causer un incendie ou une explosion.

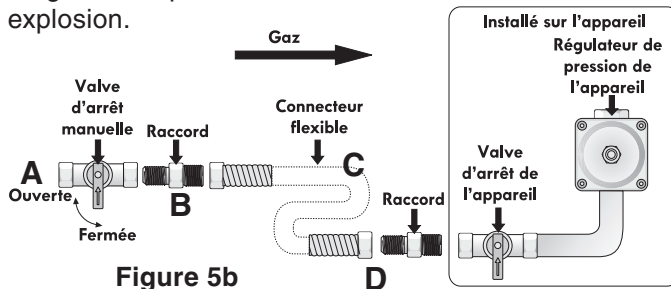


Figure 5b

1. Installez une valve d'arrêt manuelle (A) à la ligne de gaz dans un espace accessible à l'extérieur de la cuisinière. Assurez-vous de savoir comment fermer l'alimentation en gaz de l'appareil.
2. Installez un raccord de 1/2" (D) à la valve d'arrêt de l'appareil en utilisant un **EFFORT DE SERRAGE QUI NE DÉPASSE PAS 15ft./lbs.**
NOTE: Assurez-vous de bien stabiliser le côté droit de la valve d'arrêt à l'aide de la clé à tuyau avant de serrer toutes pièces à cette valve.
3. Fixez le connecteur flexible (C) et/ou le conduit de l'appareil au raccord (D) du côté gauche de la valve d'arrêt de l'appareil en utilisant **EFFORT DE SERRAGE QUI NE DÉPASSE PAS 15ft./lbs.** Assurez-vous de bien stabiliser le raccord à l'aide de la clé à tuyau avant de serrer le connecteur flexible et/ou le conduit de l'appareil.
4. Installez un raccord (B) à la valve d'arrêt manuelle.
5. Attachez le connecteur flexible (C) au raccord (B) installé sur la valve d'arrêt manuelle (A).
6. Assurez-vous que les deux valves d'arrêt sont en position ouverte.
7. Formez le connecteur flexible tel qu'illustré à la figure 5c afin d'éviter que le connecteur se trouve pincé ou qu'il empêche de pousser l'appareil à sa position finale.
8. **Veillez à ce qu'il n'y ait pas de fuites.** Après avoir raccordé l'alimentation en gaz à la cuisinière, à l'aide d'un manomètre vérifiez si le système ne fuit pas. Si vous ne disposez pas d'un manomètre, ouvrez l'alimentation en gaz et utilisez un liquide détecteur de fuites sur tous les joints et les raccords.

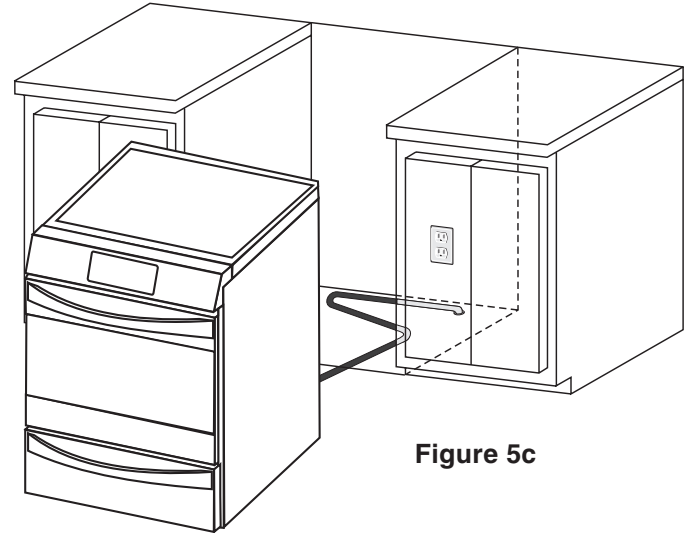


Figure 5c

⚠ AVERTISSEMENT N'utilisez pas de flamme nue pour vérifier les fuites de gaz.

Note: La raison pour laquelle on doit placer le connecteur flexible de cette façon est pour éviter qu'il empêche de pousser l'appareil à sa position finale ou qu'il soit pincé ou coincé.

Si l'appareil une fois placé n'est pas au mur tel que désiré, vérifiez derrière la cuisinière et remplacez le connecteur flexible. Évitez qu'il bloque l'appareil ou qu'il soit pincé ou coincé.

Vérifiez la pression du circuit d'alimentation

Débranchez la cuisinière et fermez la valve de la ligne d'alimentation de gaz lors de toute vérification de pression du circuit d'alimentation de gaz à une pression supérieure à 14" colonne d'eau (environ 1/2" psig).

Isolez la cuisinière du réseau d'alimentation en gaz

en fermant la valve d'arrêt manuelle, lors de toute vérification de pression du circuit d'alimentation en gaz à une pression inférieure ou égale à 14" colonne d'eau (environ 1/2" psig).

S'il s'avère nécessaire de vérifier la pression du circuit d'alimentation, branchez un manomètre (colonne d'eau) ou un autre dispositif de pression à l'orifice du brûleur situé à l'arrière à droite. Tenez un tuyau de caoutchouc dont le diamètre interne est 1/4" fermement au-dessus de l'orifice. Tournez le bouton du brûleur.

Pour une vérification de la pression exacte, ayez au moins (2) autres brûleurs allumés. Assurez-vous que la pression de gaz (entrée) est au moins un pouce au-dessus de la pression du circuit d'alimentation. La pression de gaz ne doit jamais être supérieure à 14" colonne d'eau. Lorsque la pression est ajustée correctement pour le gaz naturel, elle est à 4" (pour le gaz propane elle doit être à 10").

INSTRUCTIONS D'INSTALLATION POUR CUISINIÈRE À GAZ DE 30" MUNIE DE DEUX FOURS

5 Requis électriques

Circuit de dérivation de 120 volt, 60 Hertz, avec mise à la terre appropriée, protégé par un disjoncteur de 15 ampères ou un fusible temporisé.

N'utilisez pas de cordon de rallonge pour brancher l'appareil.

Instructions de mise à la terre
IMPORTANT Veuillez lire attentivement.

Pour votre propre sécurité, cet appareil doit être correctement mis à la terre.

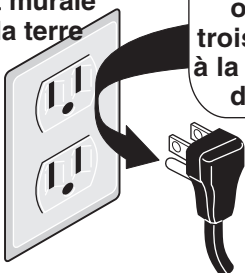
Afin de réduire au minimum les risques de chocs électriques, le cordon d'alimentation de cet appareil est muni d'une fiche de contact tripolaire (mise à la terre) enfichable dans une prise de courant murale tripolaire standard avec mise à la terre (figure 6).

Il est conseillé de faire vérifier la prise de courant murale et le circuit par un électricien qualifié, afin de s'assurer que la prise de courant est correctement mise à la terre.

Dans le cas où il n'y a qu'une prise de courant murale bipolaire standard, il incombe au client de la remplacer

Méthode préférée

Prise de courant murale mise à la terre



Il est strictement interdit de couper ou d'enlever la troisième tige (mise à la terre) du cordon d'alimentation.

Cordon d'alimentation tripolaire

Figure 6

par une prise de courant murale tripolaire correctement mise à la terre.

Il est strictement interdit de couper ou d'enlever la troisième tige (mise à la terre) du cordon d'alimentation.

⚠ AVERTISSEMENT

Débranchez le cordon d'alimentation électrique de la prise de courant murale avant de réparer ou de nettoyer la plaque de cuisson.

6 Mise en place des couvercles de brûleurs

Référez-vous au manuel d'utilisation et d'entretien fourni avec cet appareil pour connaître le mode de fonctionnement et l'entretien de l'appareil.

Mise en place des couvercles de brûleurs

Cette appareil est munie de brûleurs scellés. Toutes les pièces sont au bon endroit. Notez ou chaque pièce se trouve. Assurez-vous que tous les couvercles de brûleurs sont placés correctement et à niveau sur les têtes de brûleurs. Assurez-vous que le rebord du couvercle est bien disposé au centre de la tête du brûleur et donc à niveau (Figure 7). Référez-vous aux figures 8 & 9 pour connaître le positionnement correct et incorrect des couvercles de brûleurs. Une fois en place, vérifiez si les couvercles sont bien placés, centrés et bien assis au centre de la tête du brûleur en les bougeant de droite à gauche (Figure 10). Lorsque le rebord des couvercles entrera en contact avec l'intérieur de la tête des brûleurs, vous entendrez le bruit du contact. S'il vous plaît, notez le couvercle NE doit pas bouger du centre de la tête du brûleur lorsque vous tentez de le glisser de droite à gauche.

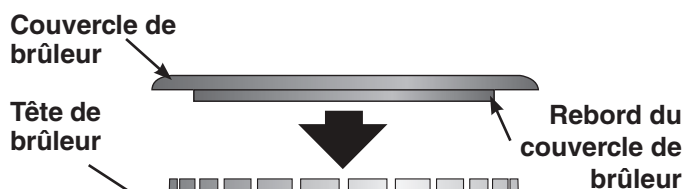
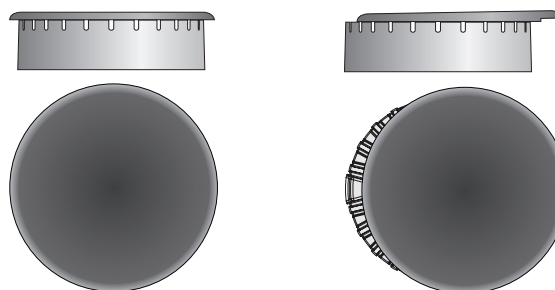


Fig. 7



Position correct du couvercle de brûleur
Fig. 8

Position correct du couvercle de brûleur
Fig. 9

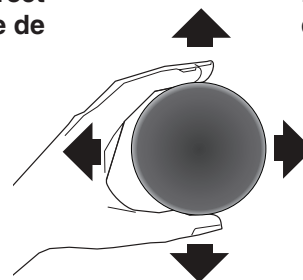


Fig. 10

INSTRUCTIONS D'INSTALLATION POUR CUISINIÈRE À GAZ DE 30" MUNIE DE DEUX FOURS

7 Vérification des allumeurs électriques des brûleurs de surface

Il faut vérifier le fonctionnement des allumeurs électriques après que la cuisinière et les raccords du tuyau d'alimentation aient été eux-mêmes vérifiés relativement aux fuites et que la cuisinière ait été branchée à la prise de courant. Pour vérifier si l'allumage est adéquat:

- Appuyez sur le bouton de commande d'un brûleur de surface et tournez-le à la position "LITE". Vous entendrez les étincelles de l'allumeur électrique qui allume le brûleur.
- Le brûleur de surface doit s'allumer lorsque le gaz est disponible au brûleur supérieur. En fonctionnement normal, chaque brûleur doit s'allumer dans un délai de quatre (4) secondes après que l'air ait été purgé des canalisations d'alimentation. Regardez si le brûleur est allumé.
- Une fois le brûleur allumé, le bouton de commande doit être tourné à une autre position que LITE.
- Il existe des dispositifs d'allumage séparés pour chaque brûleur. Essayez chaque bouton séparément jusqu'à ce que tous les robinets de brûleur aient été vérifiés.

8 Réglez la position "LOW" des robinets des brûleurs de surface

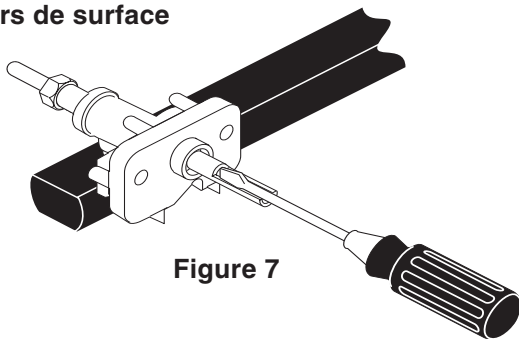
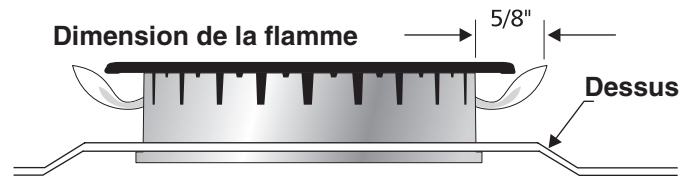


Figure 7

- Appuyez sur une commande et tournez-la à LITE jusqu'à ce que le brûleur s'allume.
- Tournez rapidement le bouton à la position la plus basse (LOW).
- Si le brûleur s'éteint, remettez le bouton de commande à arrêt (OFF).
- Enlevez le bouton de commande.
- Insérez un tournevis à pointe droite fine dans la tige creuse du robinet et insérez dans la tête de la vis. La hauteur de la flamme peut être augmentée ou diminuée en tournant la vis. Pour augmenter la hauteur de la flamme tournez dans le sens inverse des aiguilles d'une montre. Pour diminuer la hauteur de la flamme, tournez dans le sens des aiguilles d'une montre.



Ajustez la flamme jusqu'à ce que vous puissiez tourner rapidement le bouton de LITE à la plus basse position (LOW) sans éteindre la flamme. Celle-ci devrait être aussi minuscule que possible sans s'éteindre.

Note: Les brûleurs de surface ne nécessitent pas de réglage de mélange d'air.

9 Fonctionnement et réglage des brûleurs du four.

Brûleurs à allumage électrique

Le fonctionnement des allumeurs électriques devrait être vérifié après que la cuisinière et l'arrivée de gaz aient été vérifiées minutieusement pour détecter les fuites et que la cuisinière ait été branchée au réseau électrique. Le brûleur du four est muni d'un allumeur électrique ainsi que d'un système de commande électrique. Ces systèmes de commande ne nécessitent aucun ajustement. Lorsque le four sera prêt à fonctionner, le courant parviendra à l'allumeur qui deviendra incandescent et lorsqu'il aura atteint la température d'ignition du gaz, la valve de commande du four commandée électroniquement s'ouvrira et une flamme apparaîtra au brûleur du four. Il y a un délai de 30 à 60 secondes après que le thermostat soit mis en position "ON" et le moment que la flamme apparaisse au brûleur du fourneau. Lorsque le four atteint la température réglée au cadran, l'allumeur s'éteint. La flamme du brûleur s'éteint entre 20 et 30 secondes après que l'allumeur eut été coupé. Ce cycle continuera pour maintenir toute température réglée jusqu'à ce que l'indicateur/cadran soit remis à "OFF".

Après avoir enlevé tout matériel d'emballage et la documentation du four:

- Réglez le four inférieur pour cuire "BAKE" à 300°F. Voir le Guide d'utilisation et d'entretien pour les instructions d'opération.
- Le brûleur du four devrait s'allumer en dedans de 60 secondes. Vérifiez si la flamme est convenable, répétez la procédure une autre fois et remettez le bouton de commande à la position Arrêt (OFF).
- Répétez les étapes A et B pour le four supérieur.
- Réglez le four supérieur pour griller. Voir le Guide d'utilisation et d'entretien pour les instructions d'opération.
- Le brûleur devrait s'allumer en dedans de 60 secondes. Vérifiez si la flamme est convenable et remettez le bouton de commande à la position Arrêt (OFF).

INSTRUCTIONS D'INSTALLATION POUR CUISINIÈRE À GAZ DE 30" MUNIE DE DEUX FOURS

10 Brûleur du four à clapet d'air

La longueur approximative de la flamme du brûleur du fourneau est de 1" (25 mm) (centre de flamme bleu distinct).

Pour déterminer si la flamme du brûleur de grillage est adéquate, réglez le four pour griller.

Si la flamme est de couleur jaune, augmentez l'ouverture du clapet d'air (voir "2" à la figure 8). Si la flamme est bleue, réduisez l'ouverture du clapet d'air.

Pour faire le réglage, desserrez la vis de blocage (voir "3" à la figure 8), repositionnez le clapet d'air et serrez la vis de blocage.

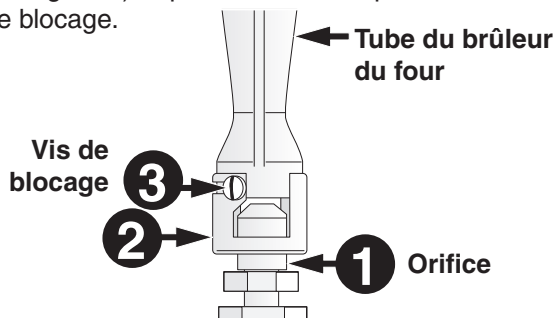


Figure 8

11 Assurez-vous que la cuisinière est à niveau

Placez un niveau à bulle sur une grille du four. Prenez deux lectures en diagonal de l'avant à l'arrière, nivelez l'appareil en ajustant les pattes de nivellement.

12 Lorsque l'installation est terminée, assurez-vous que toutes les commandes sont en position Arrêt (OFF).

Conversion au gaz propane

Cet appareil fonctionne au gaz naturel ou au gaz propane. Il est réglé en usine pour fonctionner au gaz naturel.

Si vous désirez convertir votre cuisinière au gaz propane, servez-vous des orifices fixes fournis dans l'enveloppe portant l'inscription "POUR CONVERSION AU GAZ PROPANE". Suivez les instructions d'installation se trouvant dans l'enveloppe.

Un installateur qualifié doit effectuer la conversion conformément aux instructions du fabricant et à tous les codes et règlements applicables. Si ces instructions ne sont pas suivies à la lettre, il pourrait en résulter de sérieuses blessures corporelles ou des dommages matériels. L'entreprise d'installation qualifiée qui effectue ce travail assume la responsabilité de la conversion.

AVERTISSEMENT Si on n'effectue pas la conversion correctement, il pourrait en résulter des blessures corporelles et des dommages matériels.

Entretien et nettoyage de l'appareil

Référez-vous au manuel d'utilisation et d'entretien pour les instructions de nettoyage.

S'il est nécessaire de déplacer l'appareil pour le nettoyage ou l'entretien, coupez l'alimentation en gaz. Débranchez l'alimentation en gaz et électrique. Si l'alimentation en gaz ou électrique n'est pas accessible, soulevez un peu le devant de l'appareil et retirez-le du mur.

Tirez seulement pour dégager l'espace nécessaire pour couper l'alimentation en gaz et électrique. Finalement déplacez l'appareil pour l'entretien ou le nettoyage. Refaites l'installation dans l'ordre inverse. Assurez-vous de vérifier qu'il n'y a pas de fuites et que l'appareil est de niveau.

Avant d'appeler le service d'entretien

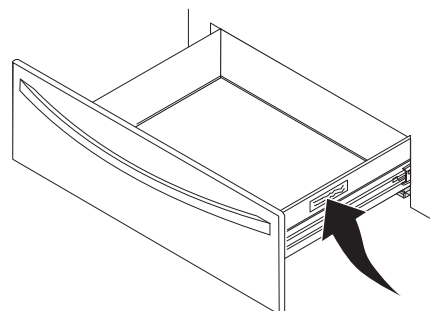
Réviser la liste de vérifications préventives et les instructions d'opération dans votre Manuel d'utilisation et d'entretien. Vous sauvez probablement du temps et de l'argent. La liste contient les événements ordinaires qui ne résultent pas de défauts dans le matériel ou la fabrication de cet appareil.

Référez-vous à votre Manuel d'utilisation et d'entretien pour connaître les numéros de téléphone pour nous rejoindre ou communiquez au **1-800-LE-FOYER®**.

Information concernant la plaque de série

La plaque de série est située tel que montré plus bas. Les informations suivantes s'y trouvent:

- A. Les numéros de modèle, de lot et de série de l'appareil.
- B. Le régime nominal en kilowatts (requis électrique).
- C. La tension nominale.



NOTES - NOTAS