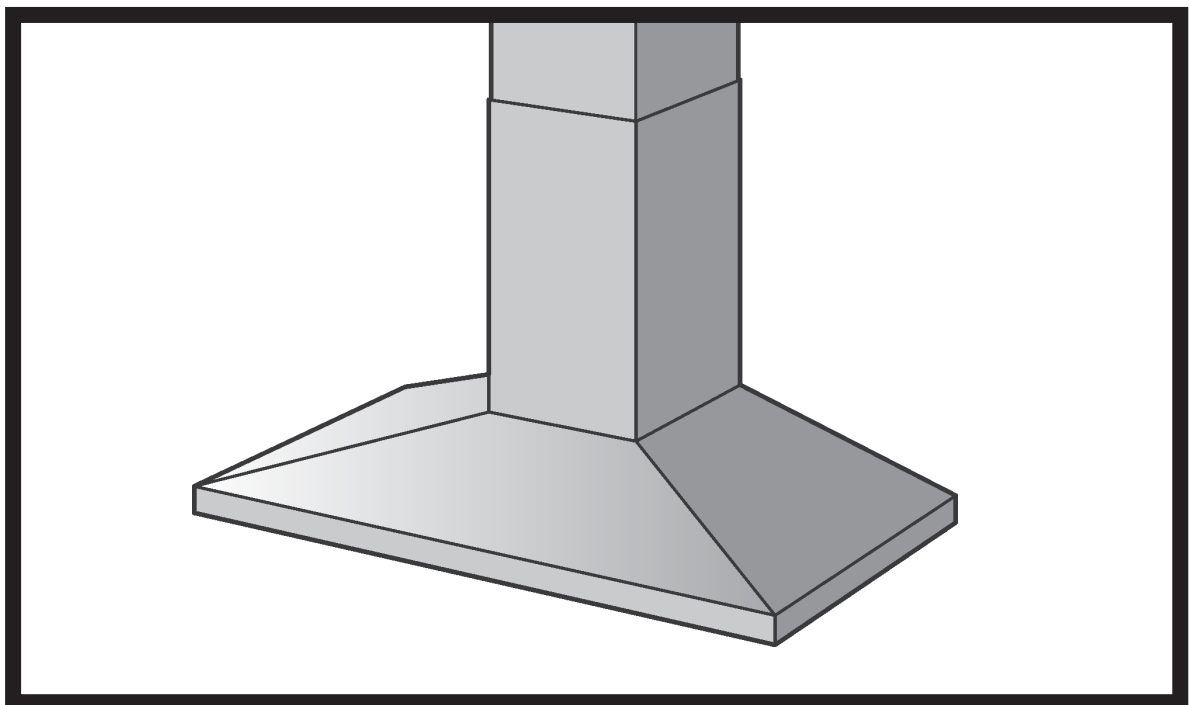


Frigidaire

PROFESSIONAL SERIES



Model **PL36WC50EC**

READ AND SAVE THESE INSTRUCTIONS

INTENDED FOR DOMESTIC COOKING ONLY

WARNING

TO REDUCE THE RISK OF FIRE, ELECTRIC SHOCK, OR INJURY TO PERSONS, OBSERVE THE FOLLOWING:

1. Use this unit only in the manner intended by the manufacturer. If you have questions, contact the manufacturer at the address or telephone number listed in the warranty.
2. Before servicing or cleaning unit, switch power off at service panel and lock service panel to prevent power from being switched on accidentally. When the service disconnecting means cannot be locked, securely fasten a prominent warning device, such as a tag, to the service panel.
3. Installation work and electrical wiring must be done by a qualified person(s) in accordance with all applicable codes and standards, including fire-rated construction codes and standards.
4. Sufficient air is needed for proper combustion and exhausting of gases through the flue (chimney) of fuel burning equipment to prevent backdrafting. Follow the heating equipment manufacturer's guidelines and safety standards such as those published by the National Fire Protection Association (NFPA), and the American Society for Heating, Refrigeration and Air Conditioning Engineers (ASHRAE), and the local code authorities.
5. When cutting or drilling into wall or ceiling, do not damage electrical wiring and other hidden utilities.
6. Ducted fans must always be vented to the outdoors.
7. Do not use this unit with any separate solid-state speed control device.
8. To reduce the risk of fire, use only metal ductwork.
9. This unit must be grounded.

TO REDUCE THE RISK OF A RANGE TOP GREASE FIRE:

- A. Never leave surface units unattended at high settings. Boilovers cause smoking and greasy spillovers that may ignite. Heat oils slowly on low or medium settings.
- B. Always turn hood ON when cooking at high heat or when flambeing food (i.e. Crepes Suzette, Cherries Jubilee, Peppercorn Beef Flambe').
- C. Clean ventilating fans frequently. Grease should not be allowed to accumulate on fan or filter.
- D. Use proper pan size. Always use cookware appropriate for the size of the surface element.

WARNING

TO REDUCE THE RISK OF INJURY TO PERSONS IN THE EVENT OF A RANGE TOP GREASE FIRE, OBSERVE THE FOLLOWING:*

1. SMOTHER FLAMES with a close-fitting lid, cookie sheet, or metal tray, then turn off the burner. BE CAREFUL TO PREVENT BURNS. If the flames do not go out immediately, EVACUATE AND CALL THE FIRE DEPARTMENT.
2. NEVER PICK UP A FLAMING PAN - You may be burned.
3. DO NOT USE WATER, including wet dishcloths or towels - violent steam explosion will result.
4. Use an extinguisher ONLY if:
 - A. You know you have a Class ABC extinguisher and you already know how to operate it.
 - B. The fire is small and contained in the area where it started.
 - C. The fire department is being called.
 - D. You can fight the fire with your back to an exit.

* Based on "Kitchen Fire Safety Tips" published by NFPA.

CAUTION

1. To reduce risk of fire and to properly exhaust air, be sure to duct air outside. Do not vent exhaust air into spaces within walls or ceilings or into attics, crawl spaces, or garages.
2. Take care when using cleaning agents or detergents.
3. Avoid using food products that produce flames under the Range Hood.
4. For general ventilating use only. Do not use to exhaust hazardous or explosive materials and vapors.
5. To avoid motor bearing damage and noisy and/or unbalanced impellers, keep drywall spray, construction dust, etc. off power unit.
6. Your hood motor has a thermal overload which will automatically shut off the motor if it becomes overheated. The motor will restart when it cools down. If the motor continues to shut off and restart, have the hood serviced.
7. For best capture of cooking impurities, the bottom of the hood should be a minimum of 24" and a maximum of 30" above the cooking surface. See "Install Mounting Bracket" section for mounting restrictions.
8. Two installers are recommended because of the large size and weight of this hood.
9. Use with approved cord-connection kit only.
10. Please read specification label on product for further information and requirements.

OPERATION

Controls

The hood is operated using the (4) push-buttons located at eye-level, on the front edge of the hood.

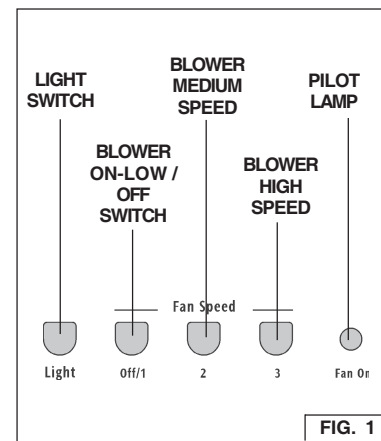
The **light switch** turns the halogen lamps on and off.

The **blower on-low / off switch** turns the blower on to its lowest running speed. The blower must be turned on using this switch. Turn the blower off by pressing this switch a second time.

The **blower medium speed switch** changes the blower speed to medium. This switch works only if the blower is already running at low or high speed.

The **blower high speed switch** changes the blower speed to high. This switch works only if the blower is already running at low or medium speed.

The **pilot lamp** lights up whenever the blower is on.

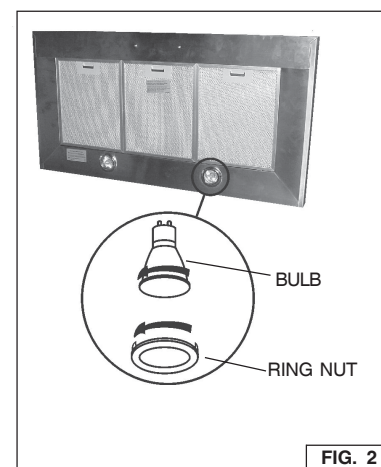


HALOGEN BULBS

This range hood requires two halogen bulbs (Type GU10, MR16 shielded, 120V, 50W).

ALWAYS SWITCH OFF THE ELECTRICITY SUPPLY BEFORE CARRYING OUT ANY OPERATIONS ON THE APPLIANCE.

1. Loosen the ring nut by turning it counterclockwise.
2. Loosen the bulb by turning it counterclockwise; pull the bulb downwards to remove. **CAUTION: BULB MAY BE HOT!**
3. Replace with Type GU10, MR16 shielded, 120V, 50W halogen bulb.



MAINTENANCE

Proper maintenance of the Range Hood will assure proper performance of the unit.

Grease Filters

The **grease filters** should be cleaned frequently. Use a warm detergent solution. Grease filters are dishwasher safe.

See "INSTALL FILTERS" section for removal and installation instructions.

Non-Ducted Recirculation Filter

The non-ducted recirculation filter should be changed every 6 months.

See "INSTALL FILTERS" section for removal and installation instructions.

Hood Cleaning

Stainless steel is one of the easiest materials to keep clean. Occasional care will help preserve its fine appearance.

Cleaning tips:

- Hot water with soap or detergent is all that is usually needed.
- Follow all cleaning by rinsing with clear water. Wipe dry with a clean, soft cloth to avoid water marks.
- For discolorations or deposits that persist, use a non-scratching household cleanser or stainless steel polishing powder with a little water and a soft cloth.
- For stubborn cases, use a plastic scouring pad or soft bristle brush together with cleanser and water. Rub lightly in direction of polishing lines or "grain" of the stainless finish. Avoid using too much pressure which may mar the surface.
- **DO NOT** allow deposits to remain for long periods of time.
- **DO NOT** use ordinary steel wool or steel brushes. Small bits of steel may adhere to the surface causing rust.
- **DO NOT** allow salt solutions, disinfectants, bleaches, or cleaning compounds to remain in contact with stainless steel for extended periods. Many of these compounds contain chemicals which may be harmful. Rinse with water after exposure and wipe dry with a clean cloth.

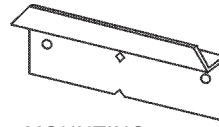
Painted surfaces should be cleaned with warm water and mild detergent only.

PREPARE THE HOOD

Unpack hood and check contents.

You should receive:

- 1 - Hood
- 1 - Decorative Flue Assembly
- 1 - Parts Bag containing:
 - 1 - Mounting Bracket
 - 1 - Discharge Collar
 - 1 - Flue Mounting Bracket
 - 8 - Mounting Screws (4.8 x 38mm Pan Head)
 - 4 - Mounting Screws (3.9 x 9.5mm Pan Head)
 - 2 - Mounting Screws (3.9 x 6mm Flat Head)
 - 8 - Drywall Anchors
- 1 - Installation Instructions



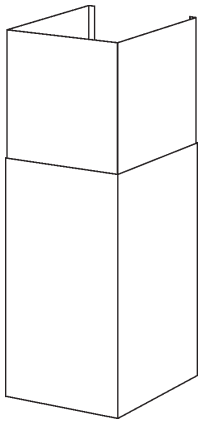
MOUNTING BRACKET



DISCHARGE COLLAR



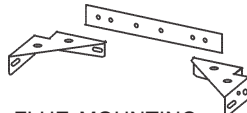
4 MOUNTING SCREWS (3.9 x 9.5mm Pan Head)



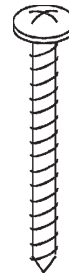
DECORATIVE FLUE



2 MOUNTING BRACKET SCREWS (3.9 x 6mm Flat Head)



FLUE MOUNTING BRACKET



8 MOUNTING SCREWS (4.8 x 38mm Pan Head)



8 DRYWALL ANCHORS

FIG. 3

INSTALL THE DUCTWORK

(DUCTED HOODS ONLY)

⚠ CAUTION: To reduce the risk of fire, use only metal ductwork.

1. Decide where the ductwork will run between the hood and the outside.
2. A straight, short duct run will allow the hood to perform most efficiently.
3. Long duct runs, elbows, and transitions will reduce the performance of the hood. Use as few of them as possible. Larger ducting may be required for best performance with longer duct runs.
4. Install a roof or wall cap. Connect round metal ductwork to cap and work back towards hood location. Use duct tape to seal the joints between ductwork sections.

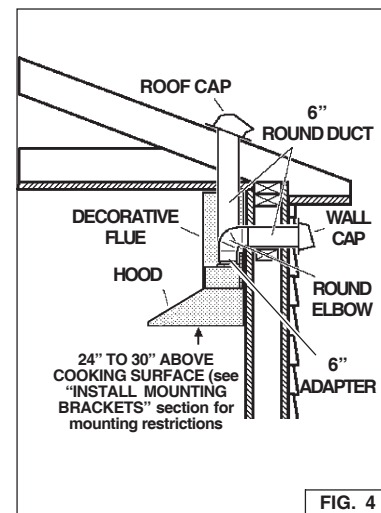


FIG. 4

INSTALL ELECTRICAL

⚠ WARNING: Electrical wiring must be done by a qualified person(s) in accordance with all applicable codes and standards. This range hood must be properly grounded. Turn off electrical power at service entrance before wiring. (DUCTED AND NON-DUCTED HOODS)

1. Plan where the hood will be located above the cook top.
2. Run electrical cable, 2-wire plus ground, to the hood location as shown.
3. Flues conceal the cable. Make sure cable exits the wall within dimensions shown and long enough to reach the hood. Fig. 5.

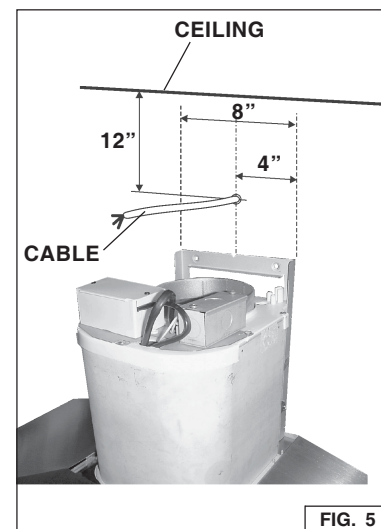


FIG. 5

INSTALL MOUNTING BRACKET

(DUCTED AND NON-DUCTED HOODS)

1. Construct wood wall **framing** that is flush with interior surface of wall studs. Make sure:
 - a) the framing is centered over installation location.
 - b) the height of the framing will allow the **mounting bracket** to be secured to the framing within the dimensions shown.
2. After wall surface is finished, secure mounting bracket to framing using dimensions shown.

CEILING HEIGHT	DUCT METHOD	HOOD DISTANCE ABOVE 36" HIGH COOK TOP (see note a)						
		24"	25"	26"	27"	28"	29"	30"
MOUNTING BRACKET LOCATION ABOVE 36" HIGH COOK TOP								
8-FOOT	DUCTED	39"	40"	41"	42"	43"	44"	
8-FOOT	NON-DUCTED	39"	40"	41"	42"			
9-FOOT	DUCTED OR NON-DUCTED	39"	40"	41"	42"	43"	44"	45"
10-FOOT (see note b)	DUCTED	39"	40"	41"	42"	43"	44"	45"

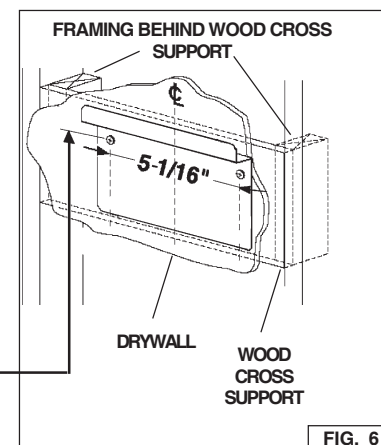


FIG. 6

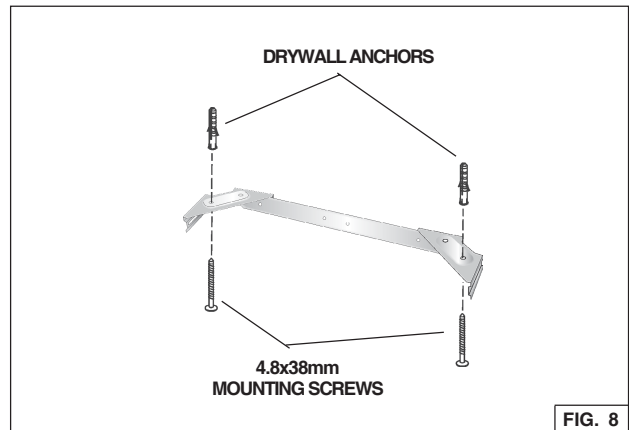
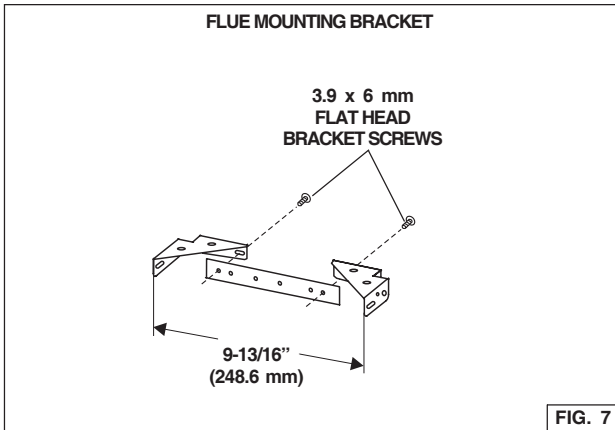
Note a - Minimum hood distance above cook top must not be less than 24". A maximum 30" above cook top is highly recommended for best capture of cooking impurities. Distances over 30" are at the installers discretion; and if ceiling height and flue length permit.

Note b - a 10-foot high ceiling requires use of an optional flue extension FXWC50EC, available from your local dealer.

INSTALL FLUE MOUNTING BRACKET

(DUCTED AND NON-DUCTED HOODS)

1. Assemble the flue mounting bracket, adjusting outside width as shown. See Figure 7.
2. **Carefully** center the mounting bracket directly over the range hood location.
3. Secure the bracket assembly to the ceiling using (2) 4.8x38mm mounting screws and drywall anchors (Fig. 8). Make sure the bracket is pushed into the corner, tight against the wall and centered over the hood.

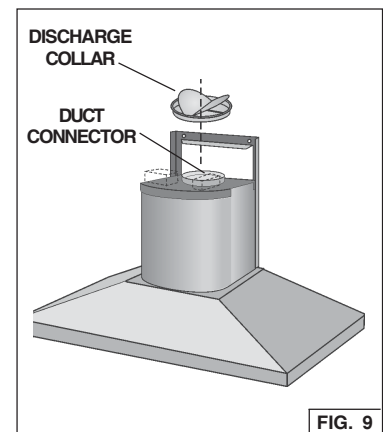


PREPARE THE HOOD

Note: On stainless steel hoods, carefully remove the plastic protective film from all exterior surfaces of the hood and decorative flues, prior to final installation.

(DUCTED HOODS ONLY)

Install the discharge collar into the duct connector of the range hood. Fig. 9.

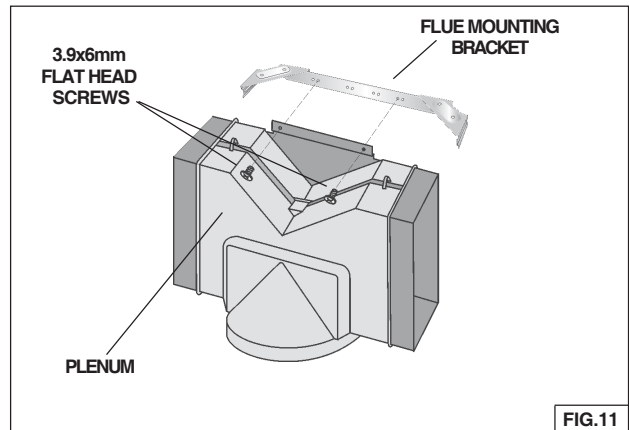
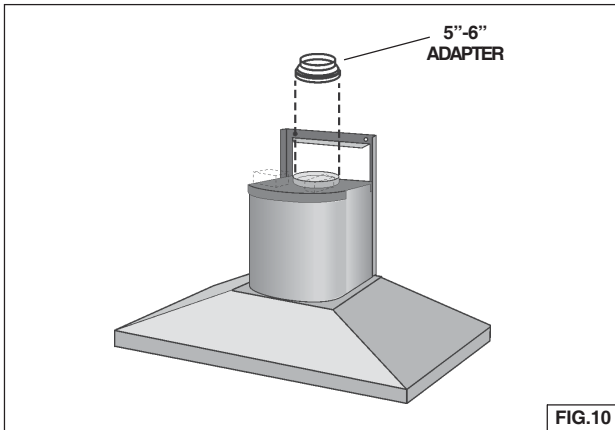


PREPARE THE HOOD

(NON - DUCTED HOODS ONLY)

Note: The following materials must be purchased separately for non-ducted recirculation installations.

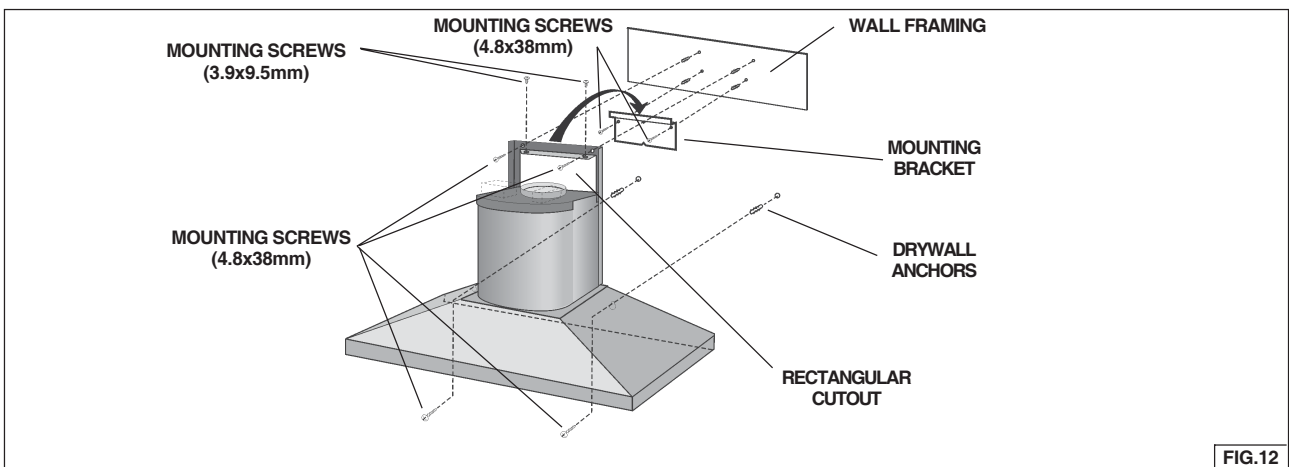
- Non - Ducted Recirculation Kit, Model DFKTWC50EC.
 - 5" diameter metal duct.
1. Discard discharge collar supplied with the hood. Install the 5" to 6" adapter supplied with the Non-Ducted Recirculation Kit. Fig. 10.
 2. Secure the plenum to the flue mounting bracket with (2) 3.9x6mm flat head screws (the screws are supplied with the Non-Ducted Recirculation Kit). Fig.11.



INSTALL THE HOOD

Note: at least two people will be required to mount the hood.

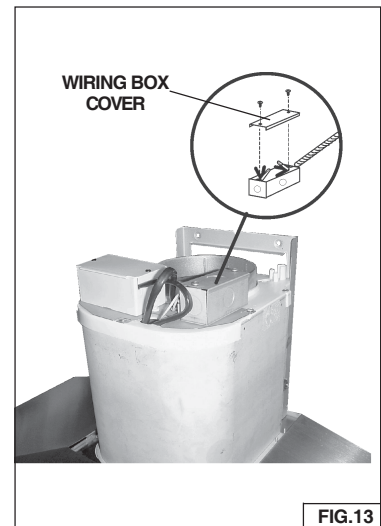
1. Raise the hood into its mounting position.
2. Align the rectangular opening on the back of the hood with the wall-mounting bracket. Gently lower the hood until it securely engages the bracket. Fig. 12.
3. Level the hood with (2) mounting screws (3.9x9.5mm) and secure with (4) mounting screws. Use drywall anchors provided if wall studs or framing are not available. Fig. 12.
4. On **ducted hoods**, attach 6" round metal duct between the hood's blower collar and duct that leads to the outside location.
5. On **non-ducted hoods**, attach 5" round metal duct between the 5"-6" adapter on the hood and the connector on the plenum.
6. Tape all duct joints to make them secure and air tight.



MAKE ELECTRICAL CONNECTIONS

⚠ WARNING: Electrical wiring must be done by a qualified person(s) in accordance with all applicable codes and standards. This range hood must be properly grounded. Turn off electrical power at service entrance before wiring.

1. Remove the **wiring box cover**. Remove a knockout from the wiring box.
2. Secure the conduit to the wiring box through a conduit connector.
3. Make electrical connections. Connect white to white, black to black and green to green.
4. Replace wiring box cover and screws. Make sure that wires are not pinched between cover and box.



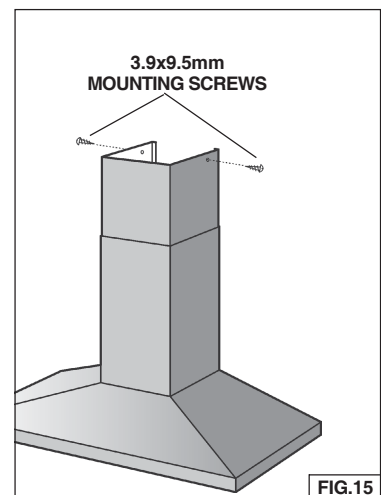
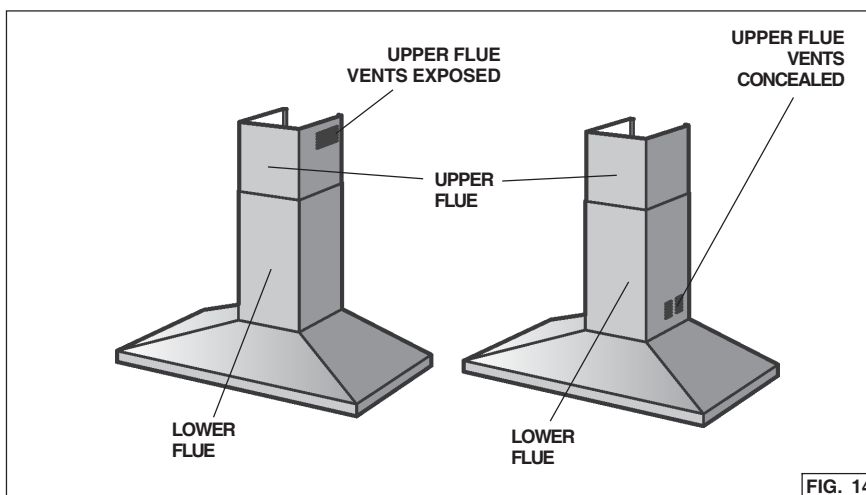
INSTALL DECORATIVE FLUES

1. Carefully place the decorative flue on the hood. Fig. 14.
 - On ducted installation in rooms with 8-foot ceilings, the air vents are concealed. Install the flue with the air vents down.
 - On non-ducted installations in rooms with 8-foot ceilings, the air vents are exposed. Install the flue with the air vents up.
 - On ducted and non-ducted installations in rooms with 9-foot ceilings, the vents are exposed. Install the flue with air vents up.

ROOMS WITH 10-FOOT CEILINGS (DUCTED HOODS ONLY)

Rooms with 10-foot ceilings require flue extension model FXWC50EC available from your local dealer. Discard the upper flue supplied with the product. Replace it with the flue extension.

2. Raise the upper flue until its holes align with holes in the flue mounting bracket (located on ceiling). Fig. 15.
3. Secure the upper flue with (2) 3.9x9.5mm mounting screws. Fig. 15.



INSTALL FILTERS

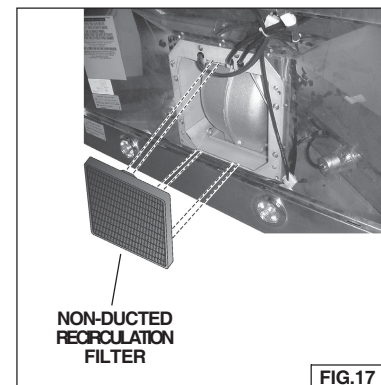
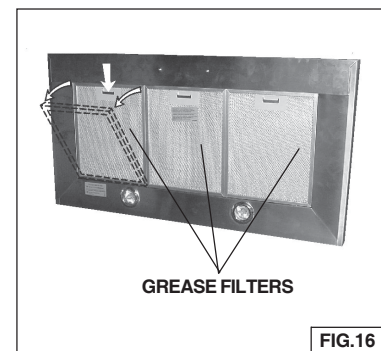
(DUCTED AND NON-DUCTED HOODS)

1. To remove the GREASE filter, push in on the metal latch tab and tilt filter downward to remove.
2. To install the GREASE filter, align rear filter tabs with slots in the hood. Depress the metal latch tab, push filter into position and release. Make sure filter is securely engaged after installation.

NOTE: Prior to use, remove protective film from the filter frame.

(NON-DUCTED HOODS ONLY)

1. To remove the NON-DUCTED RECIRCULATION filter, push-in on the front filter latch. Pull the filter down to disengage the rear filter tabs. Fig. 17.
2. To install the NON-DUCTED RECIRCULATION filter, align the rear filter tabs with slots in the hood. Push the filter up into place until the front latch snaps securely into its slot. Make sure the filter is securely engaged after assembly.
3. Install GREASE filters after Non-ducted Recirculation filter is installed.



Major Appliance Warranty Information

Your appliance is covered by a one year limited warranty. For one year from your original date of purchase, Electrolux will pay all costs for repairing or replacing any parts of this appliance that prove to be defective in materials or workmanship when such appliance is installed, used and maintained in accordance with the provided instructions.

Exclusions

This warranty does not cover the following:

1. Products with original serial numbers that have been removed, altered or cannot be readily determined.
2. Product that has been transferred from its original owner to another party or removed outside the USA or Canada.
3. Rust on the interior or exterior of the unit.
4. Products purchased "as-is" are not covered by this warranty.
5. Food loss due to any refrigerator or freezer failures.
6. Products used in a commercial setting.
7. Service calls which do not involve malfunction or defects in materials or workmanship, or for appliances not in ordinary household use or used other than in accordance with the provided instructions.
8. Service calls to correct the installation of your appliance or to instruct you how to use your appliance.
9. Expenses for making the appliance accessible for servicing, such as removal of trim, cupboards, shelves, etc., which are not a part of the appliance when it is shipped from the factory.
10. Service calls to repair or replace appliance light bulbs, air filters, water filters, other consumables, or knobs, handles, or other cosmetic parts.
11. Surcharges including, but not limited to, any after hour, weekend, or holiday service calls, tolls, ferry trip charges, or mileage expense for service calls to remote areas, including the state of Alaska.
12. Damages to the finish of appliance or home incurred during installation, including but not limited to floors, cabinets, walls, etc.
13. Damages caused by: services performed by unauthorized service companies; use of parts other than genuine Electrolux parts or parts obtained from persons other than authorized service companies; or external causes such as abuse, misuse, inadequate power supply, accidents, fires, or acts of God.

DISCLAIMER OF IMPLIED WARRANTIES; LIMITATION OF REMEDIES

CUSTOMER'S SOLE AND EXCLUSIVE REMEDY UNDER THIS LIMITED WARRANTY SHALL BE PRODUCT REPAIR OR REPLACEMENT AS PROVIDED HEREIN. CLAIMS BASED ON IMPLIED WARRANTIES, INCLUDING WARRANTIES OF MERCHANTABILITY OR FITNESS FOR A PARTICULAR PURPOSE, ARE LIMITED TO ONE YEAR OR THE SHORTEST PERIOD ALLOWED BY LAW, BUT NOT LESS THAN ONE YEAR. ELECTROLUX SHALL NOT BE LIABLE FOR CONSEQUENTIAL OR INCIDENTAL DAMAGES SUCH AS PROPERTY DAMAGE AND INCIDENTAL EXPENSES RESULTING FROM ANY BREACH OF THIS WRITTEN LIMITED WARRANTY OR ANY IMPLIED WARRANTY. SOME STATES AND PROVINCES DO NOT ALLOW THE EXCLUSION OR LIMITATION OF INCIDENTAL OR CONSEQUENTIAL DAMAGES, OR LIMITATIONS ON THE DURATION OF IMPLIED WARRANTIES, SO THESE LIMITATIONS OR EXCLUSIONS MAY NOT APPLY TO YOU. THIS WRITTEN WARRANTY GIVES YOU SPECIFIC LEGAL RIGHTS. YOU MAY ALSO HAVE OTHER RIGHTS THAT VARY FROM STATE TO STATE.

If You Need Service

Keep your receipt, delivery slip, or some other appropriate payment record to establish the warranty period should service be required. If service is performed, it is in your best interest to obtain and keep all receipts. Service under this warranty must be obtained by contacting Electrolux at the addresses or phone numbers below.

This warranty only applies in the USA and Canada. In the USA, your appliance is warranted by Electrolux Major Appliances North America, a division of Electrolux Home Products, Inc. In Canada, your appliance is warranted by Electrolux Canada Corp. Electrolux authorizes no person to change or add to any obligations under this warranty. Obligations for service and parts under this warranty must be performed by Electrolux or an authorized service company. Product features or specifications as described or illustrated are subject to change without notice.

USA
1.800.944.9044
Electrolux Major Appliances
North America
P.O. Box 212378
Augusta, GA 30907



Canada
1.800.668.4606
Electrolux Canada Corp.
5855 Terry Fox Way
Mississauga, Ontario, Canada
L5V 3E4

SERVICE PARTS - LISTE PIECES DE RECHANGE

MODELS PL36WC50EC

KEY No.	DESCRIPTION (ENGLISH)
9	Grease Filter
14	Motor Capacitor
16	Wiring Plate
26	Lamp Bulb
45	Blower
48	Motor
49	Blower Wheel
53	Rubber Washer
62	Blower Mounting Cover
64	Filter support
67	Cable
86	Discharge Collar
113	Logo
115	Wiring Box
116	Wiring Box Cover
118	Decorative Flue Bottom
119	Decorative Flue Top
120	Flue Mounting Bracket
152	Feeder Cable Clamp
165	Motor Capacitor Box
223	Switch Button
228	Controls Board
229	Warning lamp
230	Switch board box cover
234	Switch board box
240	Switch Actuator
250	Ring Nut
332	Cover
407	Blower Support Bracket
998	Hardware Package
ALA	Halogen Support Assembly

N.	DESCRIPTION (FRANCAIS)
9	Filtre à graisse
14	Condensateur
16	Plaque du système électrique
26	Ampoule
45	Convoyer
48	Moteur
49	Turbine
53	Pare chocs
62	Support moteur
64	Support filtre
67	Cable
86	Bride de raccordement
113	Plaquette logo
115	Boîte de connexion électrique
116	Couvercle boîte de connexion électrique
118	Conduit décoratif inférieur
119	Conduit décoratif supérieur
120	Etrier de support
152	Serre cable
165	Boîte condensateur
223	Bouton
228	Circuite commandes
229	Voyant lumineux
230	Couvercle commandes
234	Boîte commandes
240	Sous-bouton
250	Bague
332	Bouchon
407	Etrier support convoyer
998	Accessoires de fixation
ALA	Ensemble support lampe halogène

SERVICE PARTS - LISTE PIECES DE RECHANGE

MODEL PL36WC50EC

