

ELECTRIC DROP-IN RANGE INSTALLATION GUIDE

IMPORTANT: Save this guide for the local electrical inspector's use.

IMPORTANT: Read the Rules for Safe Use in your Use and Care Manual before using your range.

LOCATION

- Put the range near a work surface for convenience.
- The cooktop should be easy to reach and lighted with natural light during the day.
- To eliminate the risk of burns or fire by reaching over heated surface units, cabinet storage space located above the surface units should be avoided. If cabinet storage space is to be provided, the risk can be reduced by installing a range hood that projects horizontally a minimum of 5 in. beyond the bottom of the cabinets.
- See Figures 1 and 3 for all rough-in and spacing dimensions. These dimensions must be met for safe use of your range. The location of the electrical outlet may be changed as needed.

ELECTRICAL REQUIREMENTS

We recommend you have the electrical wiring and hookup of your range done by a qualified electrician. After installation, have the electrician show you where your main range disconnect is located.

Check with your local utilities for electrical codes which apply in your area. Failure to wire your range according to governing codes could result in a hazardous condition. If there are no local codes, your range must be wired and fused to meet requirements of the National Electrical Code, ANSI/NFPA No. 70-1987. You can get a copy by writing:

National Fire Protection Association
Batterymarch Park
Quincy, MA 02269

You must use a three-wire, single-phase A.C. 208Y/120 Volt or 120/240 Volt, 60 Hertz electrical system. If you connect to aluminum

wiring, properly installed connections approved for use with aluminum wiring must be used.

In the absence of local codes, we recommend that a minimum wire size of No. 8 copper wire be used.

Protect the circuit with a 40 Amp. fuse or circuit breaker for all Models for both 208Y/120 Volt and 120/240 Volt systems.

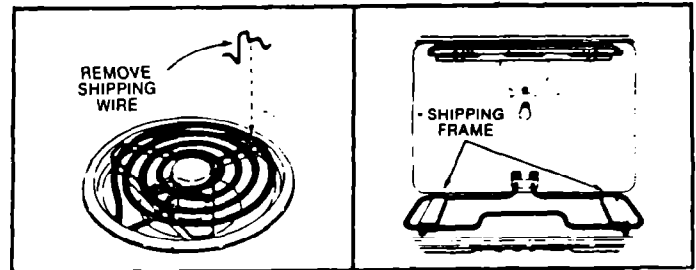
See the section on Installation, for detailed instructions on hookup of your range.

REMOVE SHIPPING MATERIAL

Remove the accessory pack from the oven. Check and secure any parts which may have come loose during shipment.

Remove the cardboard shipping frame, under the oven bake element, by lifting the front of the element slightly and pulling the frame out.

Remove the shipping wire from each of the four cooktop elements.



Part No. 336124

4348154

INSTALLATION

BEFORE INSTALLING THE RANGE:

1. Allow 30 inches for the cutout width (Fig. 1). Note: Most 27" drop-in ranges can be replaced as they are usually installed in a 30" wide cabinet.
2. Check the adjoining cabinets and countertop to be sure they are plumb and level, before you install the range.
3. Measure the overhang of the countertop from the front of the cabinets (dimension "C" in Figure 1). If this is a 1-1/4" (standard), mark notch depth "N" as shown in Figure 3 at 2", from front edge of countertop, but do not cut countertop until minimum clearance dimensions have been checked.
4. Check all minimum clearance dimensions as follows: (See Figures 1 and 3).
 - (a). Countertop must be flat at back of notch and flat area must extend a minimum of 22" from back of notch.
 - (b). Backsplash or wall above countertop must be a minimum of 22-1/2" from back of notch.
 - (c). Wall or cabinet back below countertop must be a minimum of 23" from back of notch. This provides clearance for the range chassis and wiring.
 - (d). Cabinets or vertical surfaces extending above the countertop must be a minimum of 3" from sides of notches for a vertical distance upward of at least 18".
 - (e). There must be a vertical distance of at least 30" between the cooktop and any overhead cabinets for an area equal to the width and depth of the range (30" by 28"). See Figure 1.
5. If the countertop overhang "C" is not 1-1/4", or minimum clearance dimensions are not met with a 2" deep cut-out, establish notch dimension so that back of notch is 0" to 3/4" back from face of base cabinets. Use maximum notch dimension "N" that will permit clearance dimensions to be met. The table on the next page shows notch dimensions to be met. The table on the next page shows notch dimensions for various counter overhangs.
6. When the minimum clearance dimensions are met, cut counter as shown in Figure 3. Sides of notches will butt against end caps of range and must be cut smooth and square. Cut with a fine-toothed saw, in the downward direction if possible. Masking tape applied to the surface before cutting will help minimize chipping. The remainder of the cut-out is hidden by the range top so that the smoothness of cut is not critical.
7. Install reinforcing braces under each side of countertop as shown in Fig. 2.
8. The electrical power to the range supply line must be shut off while line connections are being made. Failure to do so could result in serious injury or death. Install the wiring junction box in an adjoining cabinet (Fig. 1) or under the floor. (Range has 4 feet of conduit.) Cut a 1-1/4" hole to bring the conduit to the junction box.
9. The door is quite heavy. Before installing range, you may remove door to lessen the weight as the range is lifted into position. See Oven Door Removal in the Use and Care Guide. Lift the range into position on the countertop. Note: This range is designed to hang from the countertop. It must not rest on the floor or the cabinet bottom.
10. Push the electric conduit through the hole and attach it to the junction box. Leave enough slack in the conduit to allow the range to be pulled forward several inches for service if necessary.
11. Use the 4 screws, packaged in the envelope in the auxiliary pack, to screw the unit to the countertop as shown in Figure 2.

IMPORTANT

After all connections have been finished and steps completed, raise cooktop and screw range to countertop with four screws provided.

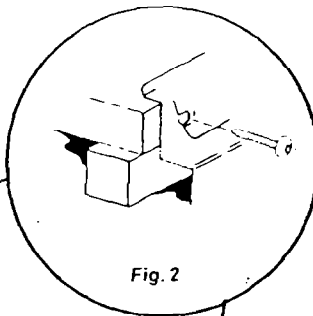
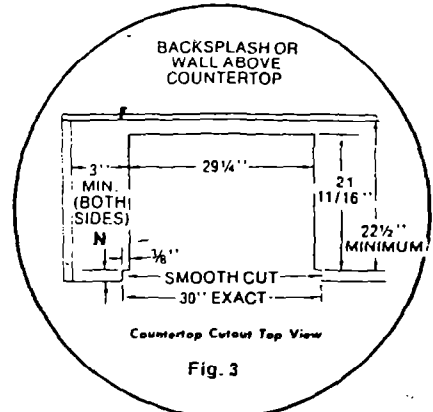


Fig. 2



Countertop Cutout Top View

Fig. 3

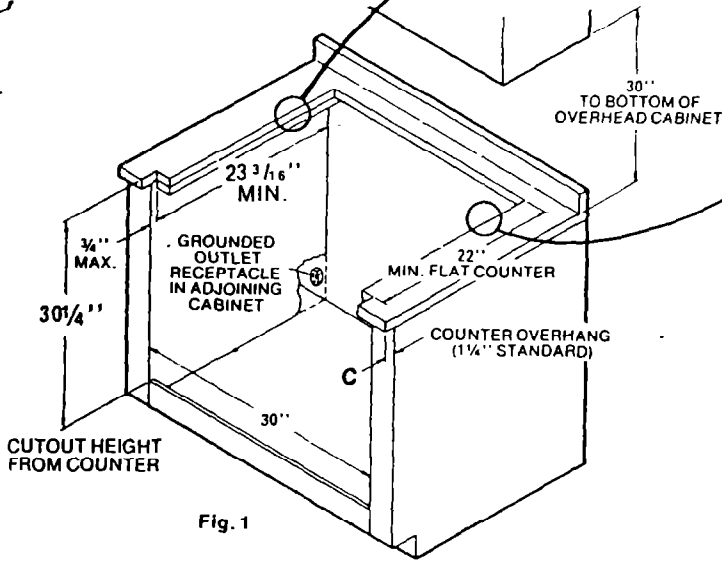


Fig. 1

COUNTER OVERHANG "C"	NOTCH DEPTH "N"	
	3/8" Thick Lipped Cabinet Doors	3/4" Thick Overlapped Cabinet Doors
2 3/4" (Maximum)	3 1/8"	2 3/4"
2"	2 3/8"	2"
1 1/2"	1 7/8"	1 1/2"
1 1/4" (Standard)	1 5/8"	1 1/4"
1"	1 3/8"	1"
3/4"	1 1/8"	3/4"
1/2"	7/8"	1/2"
1/4" (Minimum)	5/8"	1/4"