

# AED25DN

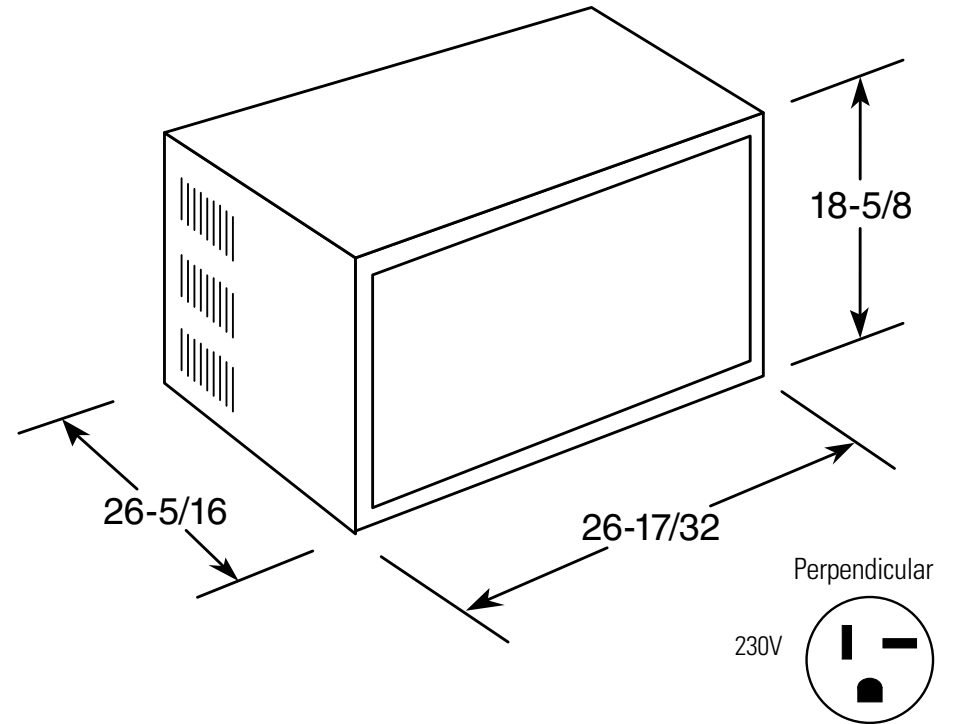
## GE® ENERGY STAR® Deluxe 230/208 Volt Electronic Room Air Conditioner

### Wall Case Dimensions and Installation Information (in inches)

**Note:** When installing slide-out chassis units in through-the-wall applications, keep louvers free. Do not restrict air flow areas. Fixed chassis units are not suitable for through-the-wall applications.

**Wall Outlets:** All wiring including installation of receptacle must be made in accordance with local electrical codes and regulations. Electrical outlet should be in reach of line cord.

**Note:** Aluminum wiring may pose special problems – consult a qualified electrician.



For answers to your Monogram®, GE Profile™ or GE® appliance questions, visit our website at [ge.com](http://ge.com) or call GE Answer Center® service, 800.626.2000.



imagination at work



Total volume and shelf area are calculated by the Association of Home Appliance Manufacturers' standards.



Listed by Underwriters Laboratories



As an ENERGY STAR® partner, GE has determined that this product meets the ENERGY STAR guidelines for energy efficiency.

Specification Created 5/10

390465

# AED25DN

## GE® ENERGY STAR® Deluxe 230/208 Volt Electronic Room Air Conditioner

### Features and Benefits

- ENERGY STAR® qualified
- 25,000/24,700 BTU, 9.4 E.E.R., 230/208 Volts
- R-410A refrigerant
- Electronic thermostat with remote
- Energy saver feature
- 24 hour on/off timer
- 3 cooling / 3 fan only speeds
- Power interruption restart
- Slide-out chassis
- EZ mount window kit
- Model AED25DN - Light cool grey

