



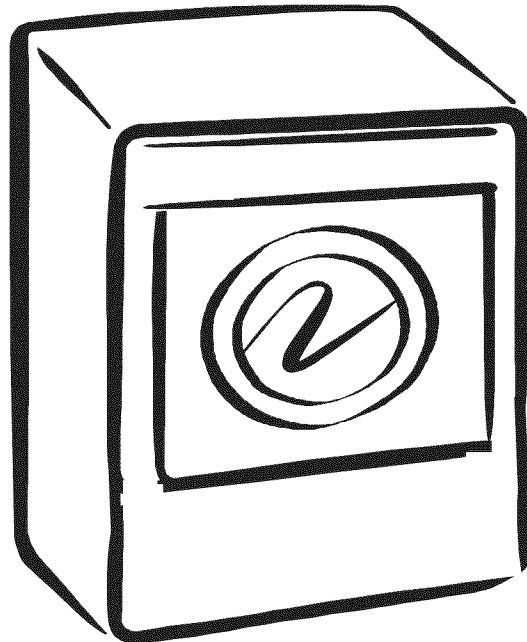
**Installation**

**Instructions**

Electric & Gas Dryer

**Instrucciones para la  
instalación**

Secadora a gas y eléctrica



---

## CONTENTS

Pre-Installation Requirements.....	2
Electrical Requirements.....	3
Exhaust System Requirements.....	3-4
Gas Supply Requirements.....	4-5
Location of Your Dryer.....	5
Rough-In Dimensions.....	6
Mobile Home Installation.....	7
Unpacking .....	7
Reversing Door Swing.....	7-9
Electrical Installation.....	10
Grounding Requirements.....	10
Electrical Connections—3-wire.....	11
Electrical Connections—4-wire.....	11
Gas Connection.....	12
General Installation.....	12
Replacement Parts.....	12
Español.....	13-24

---

## SAFETY INSTRUCTIONS

**Before beginning installation, carefully read these instructions. This will simplify the installation and ensure the dryer is installed correctly and safely. Leave these instructions near the Dryer after installation for future reference.**


**NOTE:** The electrical service to the Dryer must conform with local codes and ordinances and the latest edition of the National Electrical Code, ANSI/NFPA 70, or in Canada, the Canadian electrical code C22.1 part 1.

**NOTE:** The gas service to the Dryer must conform with local codes and ordinances and the latest edition of the National Fuel Gas Code ANSI Z223.1, or in Canada, CAN/ACG B149.1-2000

**NOTE:** The Dryer is designed under ANSI Z 21.5.1 or ANSI/UL 2158 - CAN/CSA C22.2 No. 112 (latest editions) for **HOME USE only**. This Dryer is not recommended for commercial applications such as restaurants or beauty salons, etc.

**Your safety and the safety of others is very important.**


We have provided many important safety messages in the Use & Care Guide, Operating Instructions, Installation Instructions and on your appliance. Always read and obey all safety messages.

 This is the safety alert symbol. This symbol alerts you to hazards that can kill or hurt you or others. All safety messages will be preceded by the safety alert symbol and the word "**DANGER**" or "**WARNING**". These words mean:

 **DANGER** You will be killed or seriously injured if you don't follow instructions.

 **WARNING** You can be killed or seriously injured if you don't follow instructions.

All safety messages will identify the hazard, tell you how to reduce the chance of injury, and tell you what can happen if the instructions are not followed.

 **WARNING** For your safety the information in this manual must be followed to minimize the risk of fire or explosion or to prevent property damage, personal injury or loss of life.

- Do not store or use gasoline or other flammable vapors and liquid in the vicinity of this or any other appliance.

- **WHAT TO DO IF YOU SMELL GAS**

- Do not try to light any appliance.
- Do not touch any electrical switch; do not use any phone in your building.
- Clear the room, building or area of all occupants.
- Immediately call your gas supplier from a neighbor's phone. Follow the gas supplier's instructions.
- If you cannot reach your gas supplier, call the fire department.

Installation and service must be performed by a qualified installer, service agency or the gas supplier.

---

## PRE-INSTALLATION REQUIREMENTS

### Tools and Materials Required for Installation:

1. Phillips head screwdriver.
2. Channel-lock adjustable pliers.
3. Carpenter's level.
4. Flat or straight blade screwdriver.
5. Duct tape.
6. Rigid or flexible metal 4 inch (10.2 cm) duct.
7. Vent hood.
8. Pipe thread sealer (Gas).
9. Plastic knife.

## ELECTRICAL REQUIREMENTS

### ELECTRIC Dryer

**CIRCUIT** - Individual 30 amp. branch circuit fused with 30 amp. time delay fuses or circuit breakers.

Use separately fused circuits for washers and dryers, and **DO NOT** operate a washer and a dryer on the same circuit.

**POWER SUPPLY** - 3 wire or 4-wire, 240 volt, single phase, 60 Hz, Alternating Current.

**POWER SUPPLY CORD KIT - 3 wire** - The dryer **MUST** employ a 3-conductor power supply cord NEMA 10-30 type SRDT rated at 240 volt AC minimum, 30 amp., with 3 open end spade lug connectors with upturned ends or closed loop connectors and marked for use with clothes dryers. See ELECTRICAL CONNECTIONS FOR A 3-WIRE SYSTEM.

**4 wire** - The dryer **MUST** employ a 4-conductor power supply cord NEMA 14-30 type SRDT or ST (as required) rated at 240 volt AC minimum, 30 amp., with 4 open end spade lug connectors with upturned ends or closed loop connectors and marked for use with clothes dryers. See ELECTRICAL CONNECTIONS FOR A 4-WIRE SYSTEM.

**WARNING – Risk of Shock.** Appliance grounded to neutral conductor through a link. Grounding through the neutral link is prohibited for (1) New branch circuit installations (2) mobile homes; (3) recreational vehicles; and (4) areas where local codes do not permit grounding through the neutral, (1) disconnect the link from the neutral, (2) use grounding terminal or lead to ground appliance in accordance with local codes and (3) connect neutral terminal or lead to branch circuit neutral in usual manner (if the appliance is to be connected by means of a cord kit, use 4-conductor cord for this purpose). USE COPPER CONDUCTOR ONLY.

(Canada - 4-wire power supply cord is installed on dryer.)

**OUTLET RECEPTACLE** - NEMA 10-30R receptacle to be located so the power supply cord is accessible when the dryer is in the installed position. (Canada - NEMA 14-30R receptacle.)



NEMA 10-30R



NEMA 14-30R

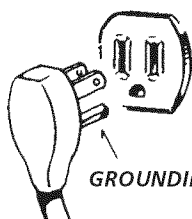
### GAS Dryer

**CIRCUIT** - Individual 15 amp. branch circuit fused with a 15 amp. maximum time delay fuse or circuit breaker.

**POWER SUPPLY** - 3 wire, 120 volt single phase, 60 Hz, Alternating Current.

**POWER SUPPLY CORD** - The dryer is equipped with a 120 volt 3-wire power cord.

**NOTE:** Do not under any circumstances remove grounding prong from plug.



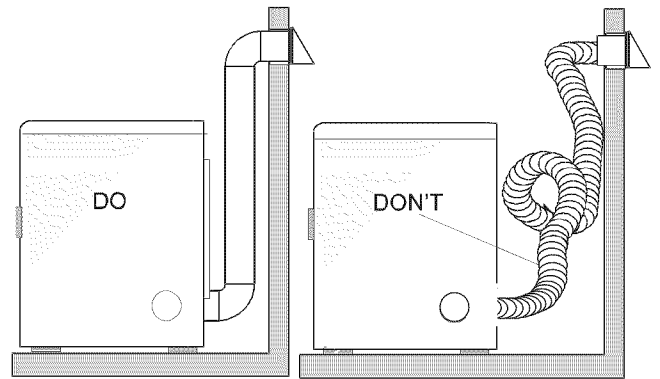
GROUNDING PRONG

## EXHAUST SYSTEM REQUIREMENTS

Use only 4 inch (10.2 cm) diameter (minimum) rigid or flexible **metal** duct and approved vent hood which has a swing-out damper(s) that open when the dryer is in operation. When the dryer stops, the dampers automatically close to prevent drafts and the entrance of insects and rodents. To avoid restricting the outlet, maintain a minimum of 12 inches (30.5 cm) clearance between the vent hood and the ground or any other obstruction.

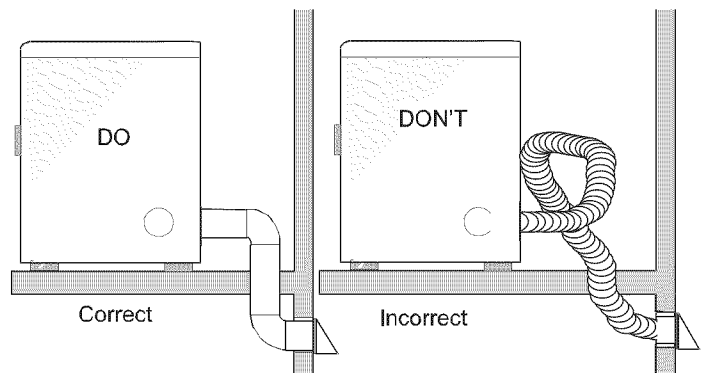
**WARNING** The following are specific requirements for proper and safe operation of your dryer. Failure to follow these instructions can create excessive drying times and fire hazards.

**WARNING** Do not install a clothes dryer with flexible plastic venting materials. If your present system is made up of plastic duct or metal foil duct, **replace it** with a rigid or semi-rigid metal duct. In Canada and the United States if metal (foil type) duct is installed, it must be of a specific type identified by the appliance manufacturer as suitable for use with clothes dryers and in the United States must also comply with the Outline for Clothes Dryer Transition Duct, UL standard 2158A. Flexible venting materials are known to collapse, be easily crushed and trap lint. These conditions will obstruct clothes dryer airflow and increase the **risk of fire**. **Ensure the present duct is free of any lint prior to installing dryer duct.**



Correct

Incorrect



Correct

Incorrect

**WARNING - Risk of Fire - A clothes dryer must be exhausted outdoors.** Do not exhaust dryer into a chimney, a wall, a ceiling, an attic, a crawl space or any concealed space of a building. A clothes dryer produces combustible lint. If the dryer is not exhausted outdoors, some fine lint will be expelled into the laundry area. An accumulation of lint in any area of the home can create a health and fire hazard. **The dryer must be connected to an exhaust outdoors.** Regularly inspect the outdoor exhaust opening and remove any accumulation of lint around the outdoor exhaust opening and in the surrounding area.

**! WARNING** Do not allow combustible materials (for example: clothing, draperies/curtains, paper) to come in contact with exhaust system. The dryer **MUST NOT** be exhausted into a chimney, a wall, a ceiling, or any concealed space of a building which can accumulate lint, resulting in a fire hazard.

**! WARNING** Exceeding the length of duct pipe or number of elbows allowed in the "MAXIMUM LENGTH" charts can cause an accumulation of lint in the exhaust system. Plugging the system could create a fire hazard, as well as increase drying times.

**! WARNING** Do not screen the exhaust ends of the vent system, nor use any screws, rivets or other fastening means that extend into the duct and catch lint to assemble the exhaust system. Lint can become caught in the screen, on the screws or rivets, clogging the duct work and creating a fire hazard as well as increasing drying times. Use an approved vent hood to terminate the duct outdoors, and seal all joints with duct tape. All male duct pipe fittings **MUST** be installed downstream with the flow of air.

**! WARNING** Explosion hazard. Do not install the dryer where gasoline or other flammables are kept or stored. If the dryer is installed in a garage, it must be a minimum of 18 inches (45.7 cm) above the floor. Failure to do so can result in death, explosion, fire or burns.

1. Connect an inclined or digital manometer between the dryer and the point the exhaust connects to the dryer.
2. Set the dryer timer and temperature to air fluff (cool down) and start the dryer.
3. Read the measurement on the manometer.
4. The system back pressure **MUST NOT** be higher than 0.75 inches of water column. If the system back pressure is less than 0.75 inches of water column, the system is acceptable. If the manometer reading is higher than 0.75 inches of water column, the system is too restrictive and the installation is unacceptable.

Although vertical orientation of the exhaust system is acceptable, certain extenuating circumstances could affect the performance of the dryer:

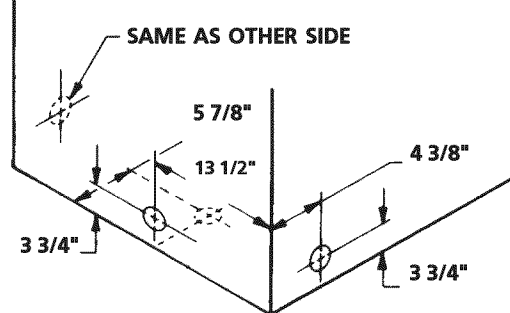
- Only the rigid metal duct work should be used.
- Venting vertical through a roof may expose the exhaust system to down drafts causing an increase in vent restriction.
- Running the exhaust system through an uninsulated area may cause condensation and faster accumulation of lint.
- Compression or crimping of the exhaust system will cause an increase in vent restriction.

The exhaust system should be inspected and cleaned a minimum of **every 18 months** with normal usage. The more the dryer is used, the more often you should check the exhaust system and vent hood for proper operation.

### EXHAUST DIRECTION

All dryers shipped from the factory are set up for rear exhausting. However, on electric dryers, exhausting can be to the right or left side of the cabinet or the bottom of the dryer. On gas dryers, exhausting can be to the right side of the cabinet or the bottom of the dryer. Directional exhausting can be accomplished by installing Exhaust Kit, P/N 131456800, available through your parts distributor. Follow the instructions supplied with the kit.

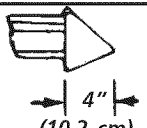
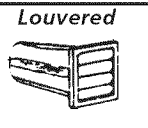
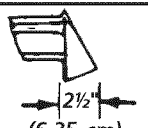
### EXHAUST DUCT LOCATING DIMENSIONS

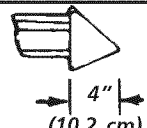
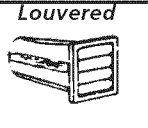
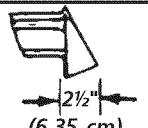


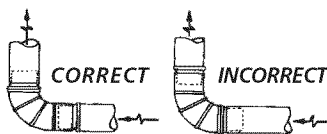
### GAS SUPPLY REQUIREMENTS

**! WARNING** Replace copper connecting pipe that is not plastic-coated. Stainless steel or plastic-coated brass **MUST** be used.

1. Installation **MUST** conform with local codes, or in the absence of local codes, with the National Fuel Gas Code, ANSI Z223.1 (latest edition).
2. The gas supply line should be of 1/2 inch (1.27 cm) pipe.
3. If codes allow, flexible metal tubing may be used to connect your dryer to the gas supply line. The tubing **MUST** be constructed of stainless steel or plastic-coated brass.
4. The gas supply line **MUST** have an individual shutoff valve.

Number of 90° Turns	MAXIMUM LENGTH of 4" (10.2 cm) Dia. Rigid Metal Duct		
	VENT HOOD TYPE (Preferred)		
	 4" (10.2 cm)	 Louvered	 2 1/2" (6.35 cm)
0	60 ft. (18.28 m)		48 ft. (14.63 m)
1	52 ft. (15.84 m)		40 ft. (12.19 m)
2	44 ft. (13.41 m)		32 ft. (9.75 m)
3	32 ft. (9.75 m)		24 ft. (7.31 m)
4	28 ft. (8.53 m)		16 ft. (4.87 m)

Number of 90° Turns	MAXIMUM LENGTH of 4" (10.2 cm) Dia. Flexible Metal Duct		
	VENT HOOD TYPE (Preferred)		
	 4" (10.2 cm)	 Louvered	 2 1/2" (6.35 cm)
0	30 ft. (9.14 m)		18 ft. (5.49 m)
1	22 ft. (6.71 m)		14 ft. (4.27 m)
2	14 ft. (4.27 m)		10 ft. (3.05 m)
3	NOT RECOMMENDED		



### INSTALL MALE FITTINGS IN CORRECT DIRECTION

In installations where the exhaust system is not described in the charts, the following method must be used to determine if the exhaust system is acceptable:

5. A 1/8 inch (0.32 cm) N.P.T. plugged tapping, accessible for test gauge connection, **MUST** be installed immediately upstream of the gas supply connection to the dryer.
6. The dryer **MUST** be disconnected from the gas supply piping system during any pressure testing of the gas supply piping system at test pressures in excess of 1/2 psig (3.45 kPa).
7. The dryer **MUST** be isolated from the gas supply piping system during any pressure testing of the gas supply piping system at test pressures equal to or less than 1/2 psig (3.45 kPa).

## LOCATION OF YOUR DRYER

### DO NOT INSTALL YOUR DRYER:

1. In an area exposed to dripping water or outside weather conditions.
2. In an area where it will come in contact with curtains, drapes, or anything that will obstruct the flow of combustion and ventilation air.
3. On carpet. Floor **MUST** be solid with a maximum slope of 1 inch (2.54 cm).

### INSTALLATION IN RECESS OR CLOSET

1. A dryer installed in a bedroom, bathroom, recess or closet, **MUST** be exhausted outdoors.
2. No other fuel burning appliance shall be installed in the same closet as the Gas dryer.
3. Your dryer needs the space around it for proper ventilation.

### DO NOT install your dryer in a closet with a solid door.

4. A minimum of 120 square inches (774.2 square cm) of opening, equally divided at the top and bottom of the door, is required. Air openings are required to be unobstructed when a door is installed. A louvered door with equivalent air openings for the full length of the door is acceptable.

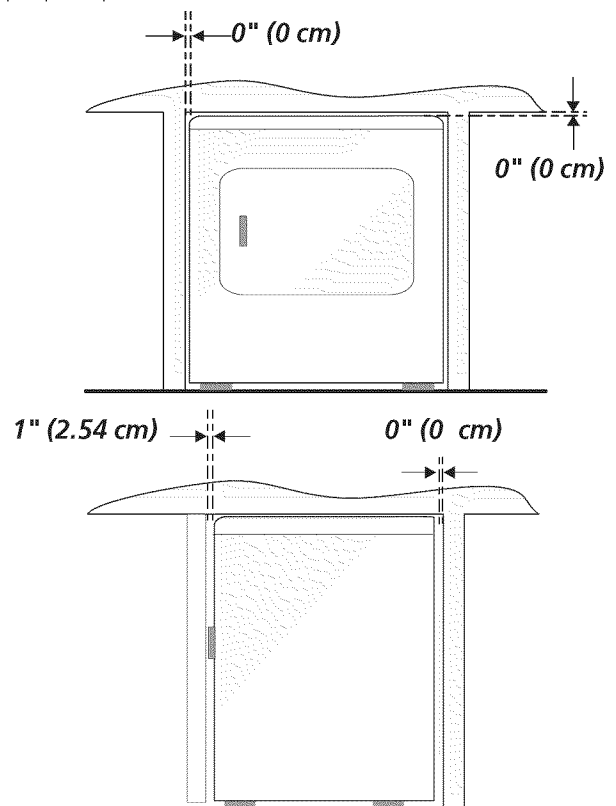
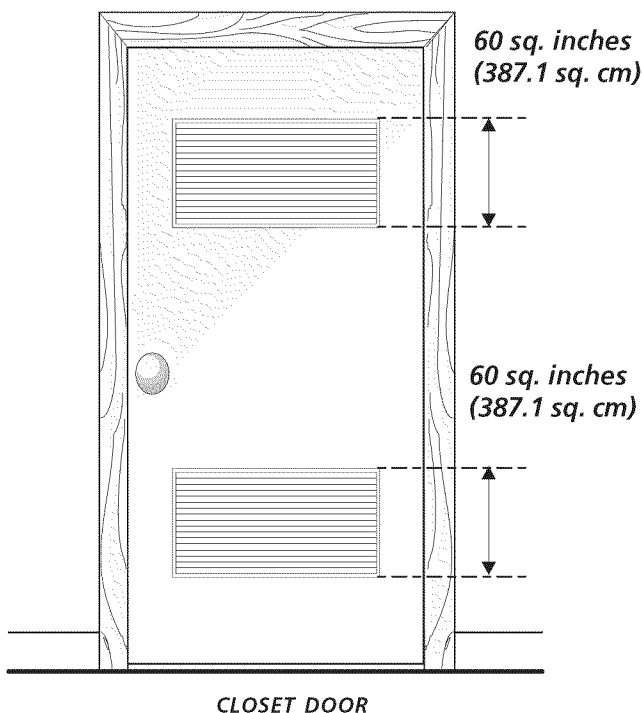
### MINIMUM INSTALLATION CLEARANCES - Inches (cm)

	SIDES	REAR	TOP FRONT
Alcove	0 (0 cm)	0 (0 cm)	
Closet	0 (0 cm)	0 (0 cm)	1 (2.54 cm)

Closet door ventilation required: 2 louvered openings each 60 square inches (387 square centimeters) — 3 inches (7.6 cm) from bottom and top of door.

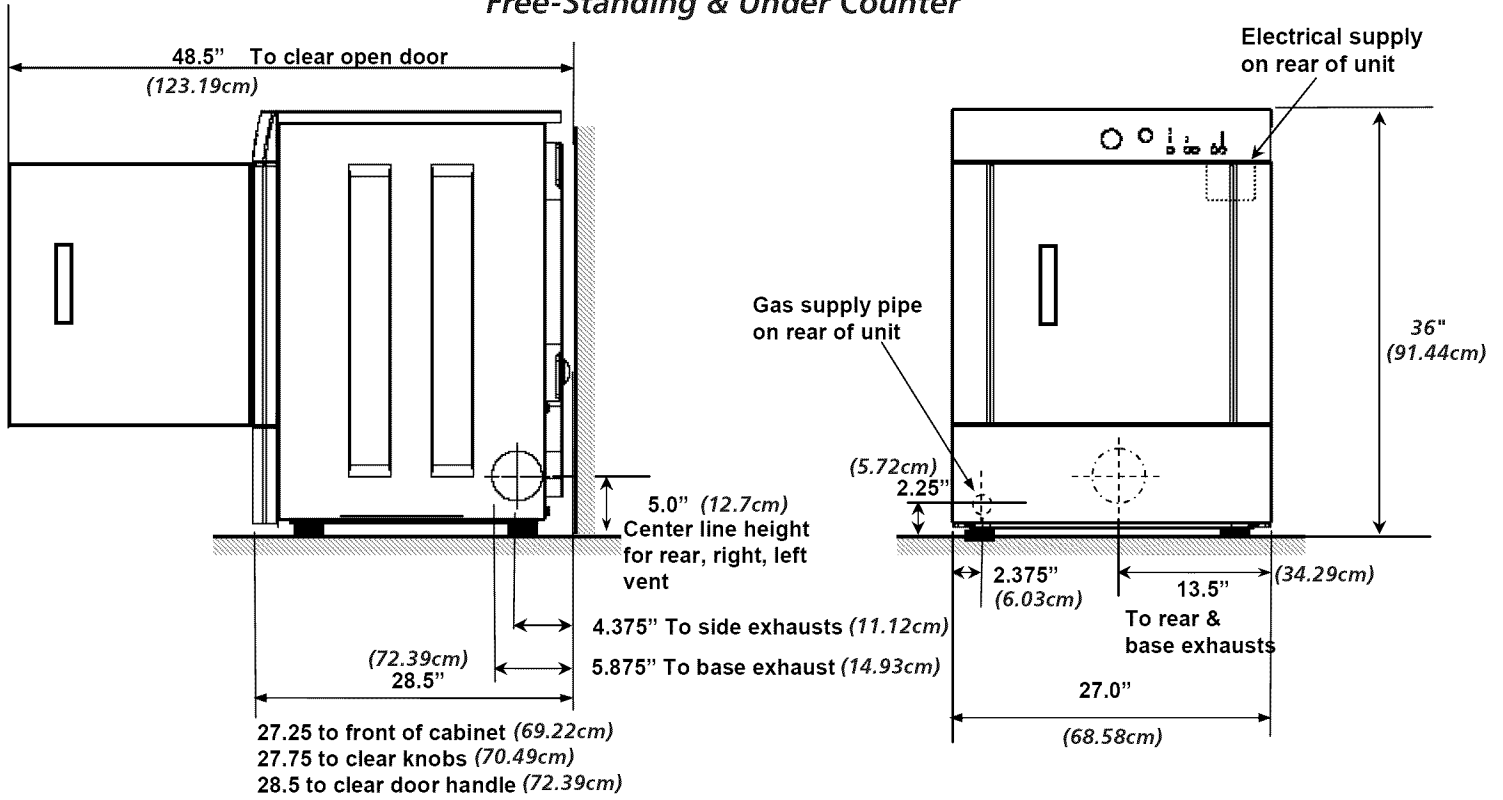
### This dryer **MUST** be exhausted outdoors.

5. The following illustrations show minimum clearance dimensions for proper operation in a recess or closet installation.

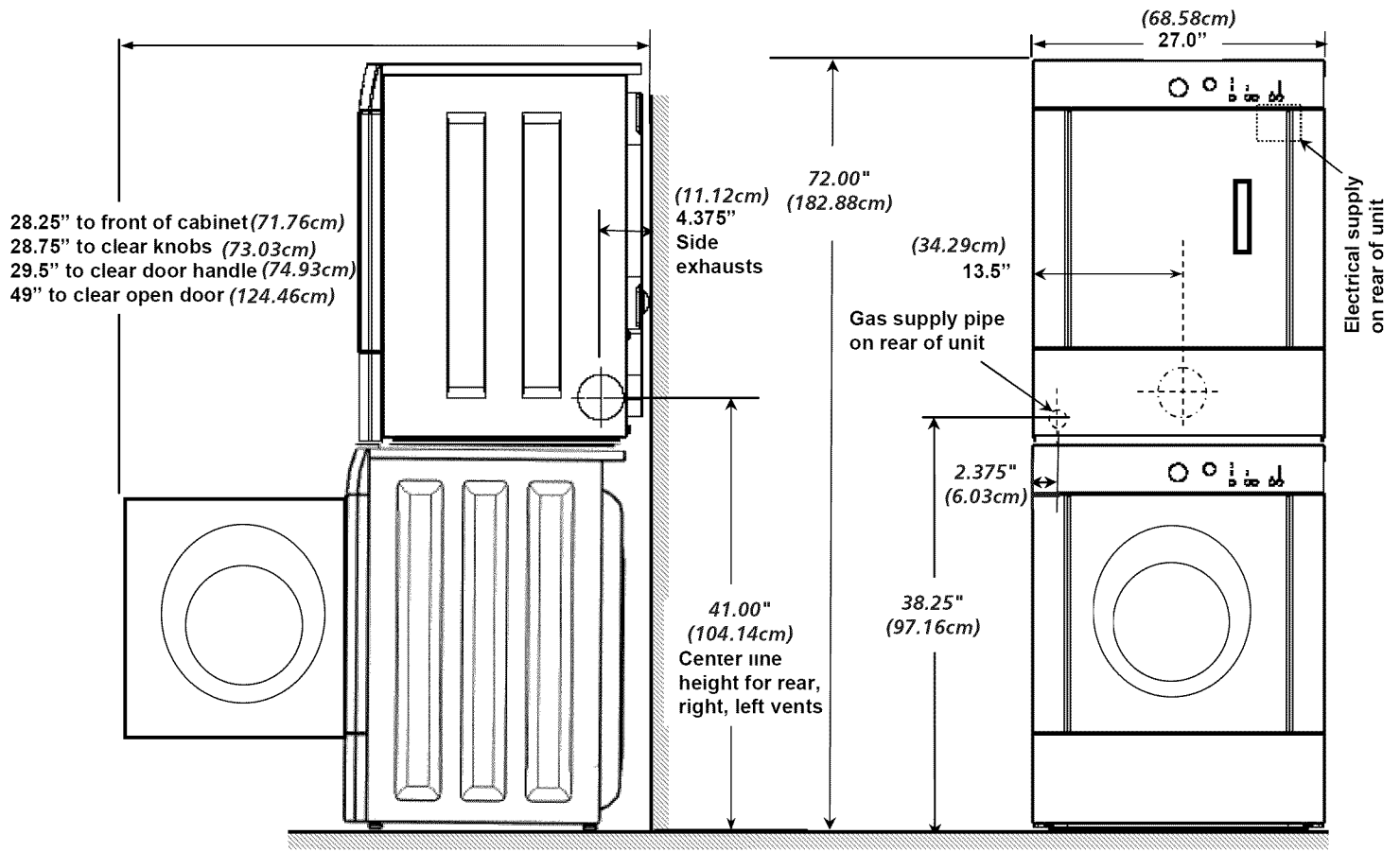


# Dryer Installation Dimensions

## Free-Standing & Under Counter



# Stacked Dryer Installation Dimensions



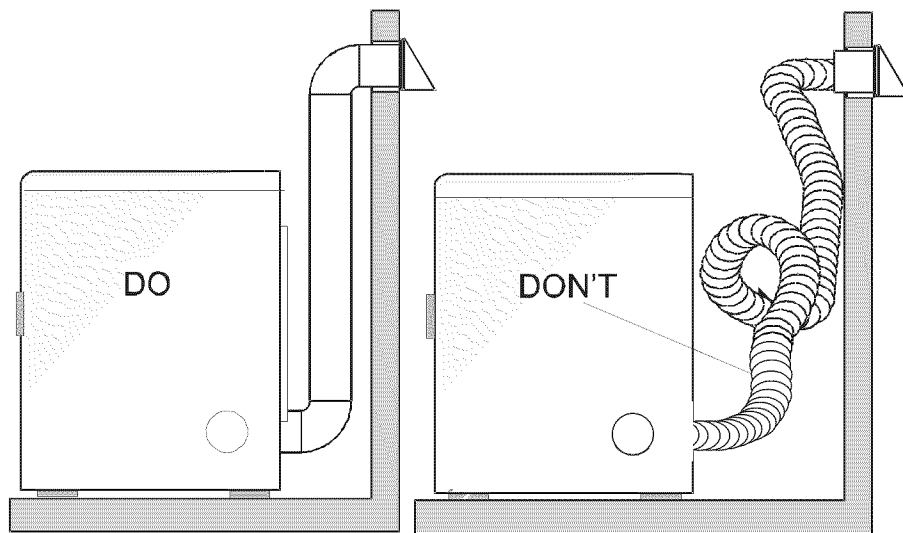
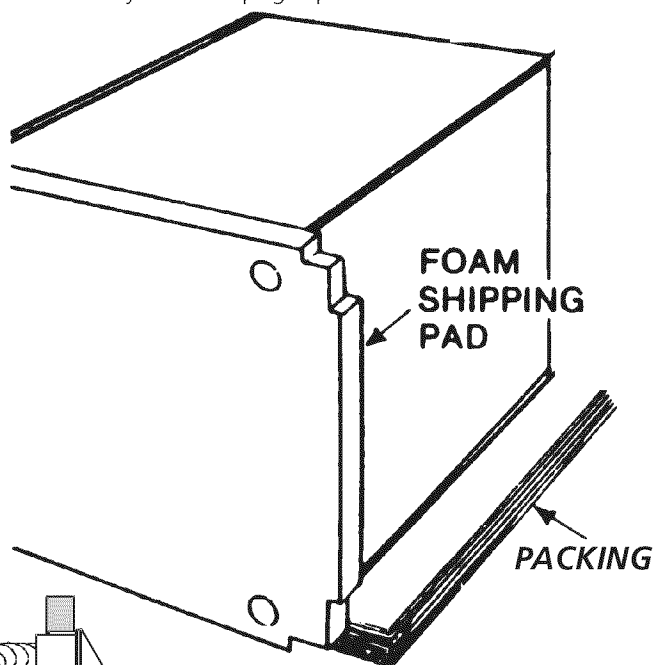
## MOBILE HOME INSTALLATION

1. Dryer **MUST** be exhausted outside (outdoors, not beneath the mobile home) using metal ducting that will not support combustion. Metal ducting must be 4 inches (10.16 cm) in diameter with no obstructions. Rigid metal duct is preferred.
2. If dryer is exhausted through the floor and area beneath the mobile home is enclosed, the exhaust system **MUST** terminate outside the enclosure with the termination securely fastened to the mobile home structure.
3. When installing a gas dryer into a mobile home, a provision must be made for outside make up air. This provision is to be not less than twice the area of the dryer exhaust outlet.
4. This dryer **MUST** be fastened to the floor. Mobile Home Installation Kit No. 346764 is available from your dealer.
5. Refer to pages 2 and 3 for other important venting requirements.
6. Installation **MUST** conform to current Manufactured Home Construction & Safety Standard (which is a Federal Regulation Title 24 CFR-Part 32-80) or when such standard is not applicable, with American National Standard for Mobile Homes.

**⚠ WARNING** The dryer is designed under ANSI Z 21.5.1 or ANSI/UL2158 - CAN/CSA C22.2 (latest editions) for **HOME USE** only.

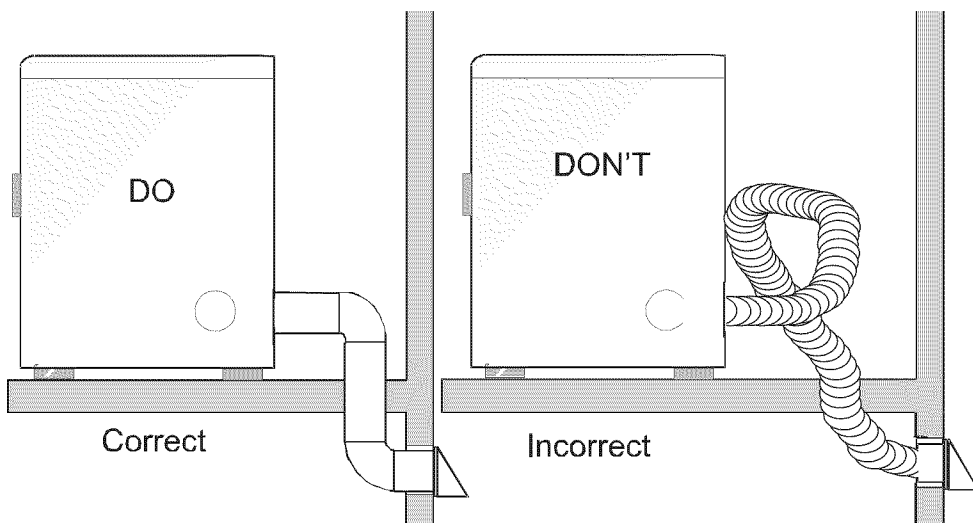
## UNPACKING

1. Using the four shipping carton corner posts (two on each side), carefully lay the dryer on its left side and remove the foam shipping base.
- ⚠ CAUTION** To prevent damage, do not use the control panel as a means to pick up or move the dryer.
2. Return the dryer to an upright position.



Correct

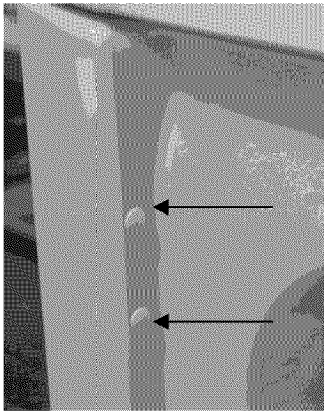
Incorrect



Correct

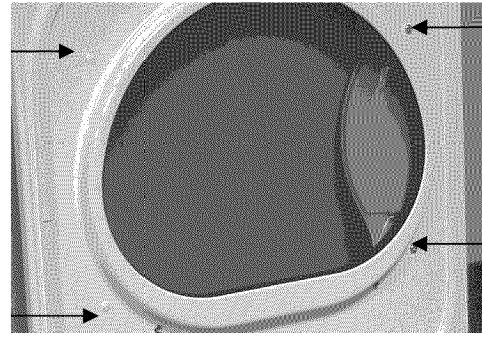
Incorrect

## Door Reversal Instructions



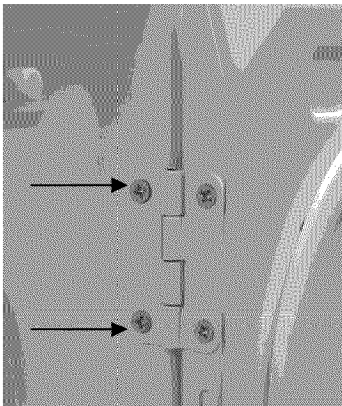
**Figure 1**

1. Open door and remove four (4) plugs in the door opening opposite the hinges. Retain all parts for use later unless otherwise noted (Figure 1). **Note:** Use care removing plugs to not scratch paint on the front panel.



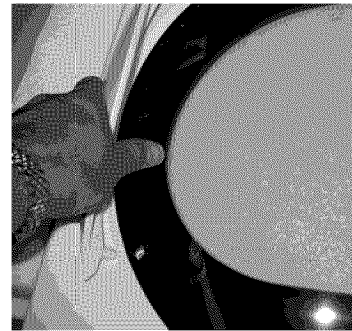
**Figure 4**

5. Remove two (2) door handle screws and two (2) plastic hole plugs from door, again taking care not to scratch paint on door (Figure 4).



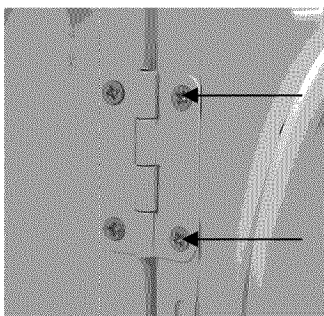
**Figure 2**

2. Remove the four (4) screws that attach the hinge to the front panel (Figure 2). For best results, start by only removing one screw per hinge. Next loosen the two remaining screws while firmly holding door to prevent damage to hinges, front panel or door. After the remaining screws are loosened, proceed with removing all screws.



**Figure 5**

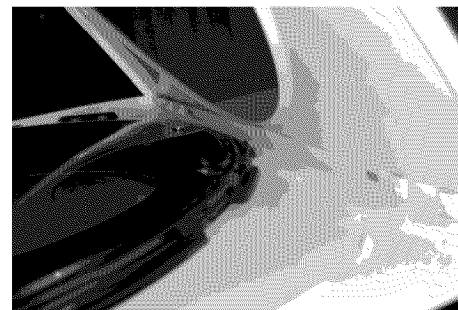
6. Pull handle away from door assembly (Figure 5).



**Figure 3**

3. Place door on a towel or pad with the handle facing down to prevent any possible scratches to door. Remove remaining four (4) screws securing hinge to door (Figure 3).

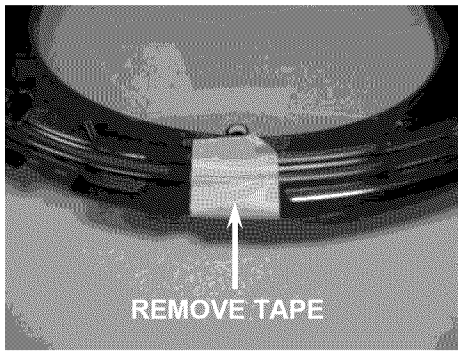
4. Remove four (4) screws from side of door opposite of where hinge was mounted.



**Figure 6**

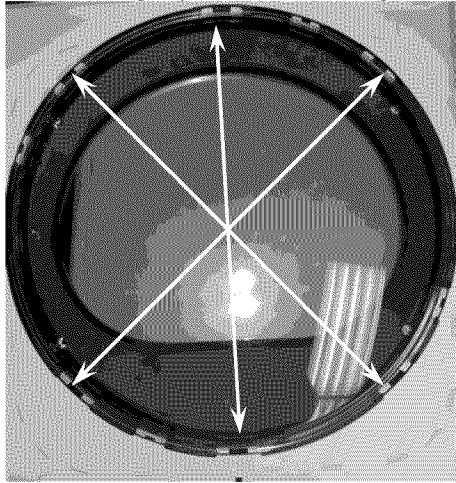
7. Separate the outer door from the inner door assembly with a putty knife or flat screw driver (Figure 6).





**Figure 7**

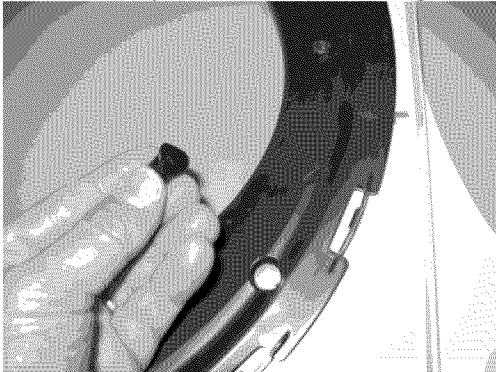
8. Remove lens locating tape and discard (Figure 7).



**Figure 8**

9. Disengage several of the retention tabs and gently pull lens away from the transition ring (Figure 8).

10. Remove two (2) transition ring plugs. Plugs can be easily removed by pushing out with a screwdriver from the backside of part. Reinstall on previous handle side (Figures 9 and 10).

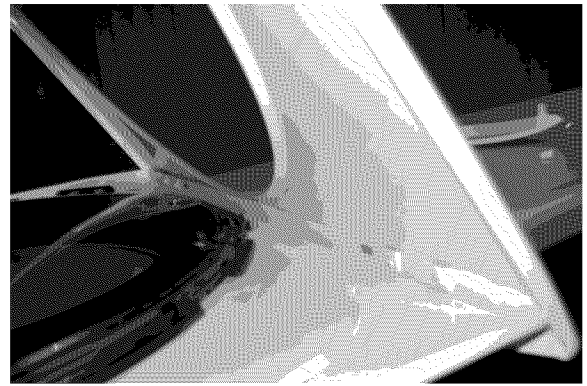


**Figure 9**



**Figure 10**

11. Reassemble lens to transition ring with holes to install handle on right-hand side of door assembly. For proper fit, insure the retention tabs on transition ring are on top of lens and lens handle holes are aligned with holes in transition ring.



**Figure 11**

12. Reassembly outer door to inner door assembly (Figure 11).

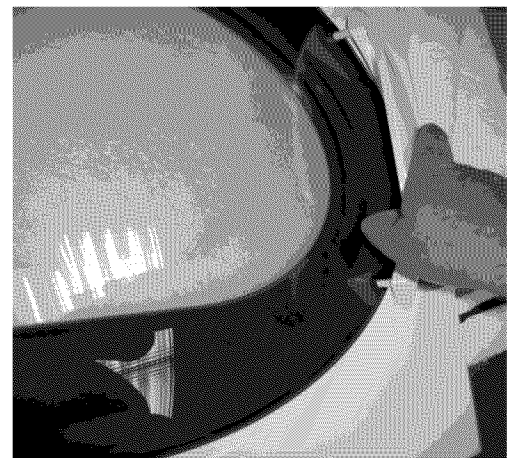
13. Install four (4) screws securing hinge to door assembly in the new location, take note to place hinge in correct orientation.

14. Install four (4) screws into holes that had previously secured the hinge.

15. Using a pliers, squeeze sides of striker and remove from inner door and discard.

16. Remove plastic square plug from inner door and reinstall in striker hole.

17. Install new striker (included in literature bag) into hole where plastic square plug was previously installed.



**Figure 12**

18. Reinstall door handle by placing the handle mounting bosses through holes in lens and transition ring and install screws through inner door and tighten into handle bosses (Figure 12).

19. Firmly grasp the top of the door and position the door near the door opening and align the top hinge hole to the top hole in the front panel door opening. Once the first screw is started, attach the second screw to the lower hinge. Once both screws are tightened, tighten the remaining two screws.

20. Install four (4) plugs (from step 1) into the front panel door opening where hinges were originally installed.

## ELECTRICAL INSTALLATION

### *ELECTRIC Dryer*

**⚠ WARNING** *The following are specific requirements for proper and safe electrical installation of your dryer. Failure to follow these instructions can create electrical shock and/or a fire hazard.*

**⚠ WARNING** *This appliance **MUST** be properly grounded. Electrical shock can result if the dryer is not properly grounded. Follow the instructions in this manual for proper grounding.*

**⚠ WARNING** *Do not use an extension cord with this dryer. Some extension cords are not designed to withstand the amounts of electrical current this dryer utilizes and can melt, creating electrical shock and/or fire hazard. Locate the dryer within reach of the receptacle for the length power cord to be purchased, allowing some slack in the cord. Refer to the pre-installation requirements in this manual for the proper power cord to be purchased.*

**⚠ WARNING** *A U.L. approved strain relief must be installed onto power cord. If the strain relief is not attached, the cord can be pulled out of the dryer and can be cut by any movement of the cord, resulting in electrical shock.*

**⚠ WARNING** *Do not use an aluminum wired receptacle with a copper wired power cord and plug (or vice versa). A chemical reaction occurs between copper and aluminum and can cause electrical shorts. **The proper wiring and receptacle is a copper wired power cord with a copper wired receptacle.***

**NOTE:** Dryers operating on 208 volt power supply will have longer drying times than operating on 240 volt power supply.

### GROUNDING REQUIREMENTS

#### *USA ELECTRIC Dryer*

**⚠ WARNING** Improper connection of the equipment grounding conductor can result in a risk of electrical shock. Check with a licensed electrician if you are in doubt as to whether the appliance is properly grounded.

**For a grounded, cord-connected dryer:**

1. The dryer **MUST** be grounded. In the event of a malfunction or breakdown, grounding will reduce the risk of electrical shock by a path of least resistance for electrical current.
2. If your dryer is equipped with a power supply cord having an equipment-grounding conductor and a grounding plug, the plug **MUST** be plugged into an appropriate, copper wired receptacle that is properly installed and grounded in accordance with all local codes and ordinances. If in doubt, call a licensed electrician. **Do not modify plug provided with the appliance.**

**For a permanently connected dryer:**

1. The dryer **MUST** be connected to a grounded metal, permanent wiring system; or an equipment grounding conductor must be run with the circuit conductors and connected to the equipment-grounding terminal or lead on the appliance.

#### *Canadian ELECTRIC Dryer*

**⚠ DANGER** Improper connection of the equipment grounding conductor can result in a risk of electrical shock. Check with a licensed electrician if you are in doubt as to whether the appliance is properly grounded.

**For a grounded, cord-connected dryer:**

1. The dryer must be grounded. In the event of a malfunction or breakdown, grounding will reduce the risk of electrical shock by a path of least resistance for electrical current.
2. Since your dryer is equipped with a power supply cord having an equipment-grounding conductor and a grounding plug, the plug must be plugged into an appropriate outlet that is properly installed and grounded in accordance with all local codes and ordinances. If in doubt, call a licensed electrician. **Do not modify plug provided with the appliance.**

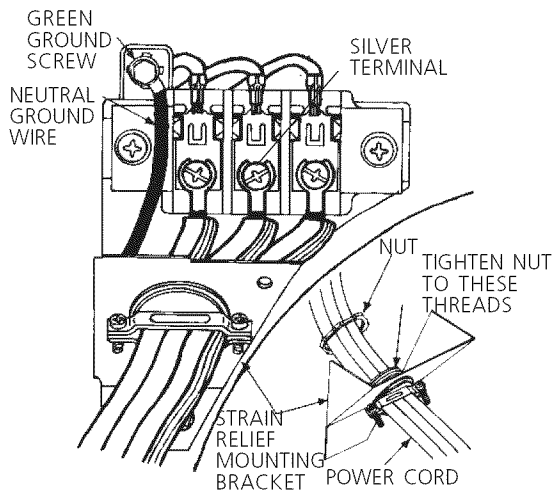
#### *ALL GAS Dryers*

1. The dryer is equipped with a three-prong (grounding) plug for your protection against shock hazard and should be plugged directly into a properly grounded three-prong receptacle. Do not cut or remove the grounding prong from the plug.

## ELECTRICAL CONNECTIONS FOR 3-WIRE SYSTEM

### USA ELECTRIC Dryer

1. Remove the screws securing the terminal block access cover and the strain relief mounting bracket located on the back of the dryer upper corner.
2. Install a U.L. approved strain relief into the power cord entry hole of the mounting bracket. Finger tighten the nut only at this time.



3. Thread a U.L. approved 30 amp. power cord, NEMA 10-30 type SRDT, through the strain relief.
4. Attach the power cord neutral (center wire) conductor to the silver colored center terminal on the terminal block. Tighten the screw securely.
5. Attach the remaining two power cord outer conductors to the outer brass colored terminals on the terminal block. Tighten both screws securely.

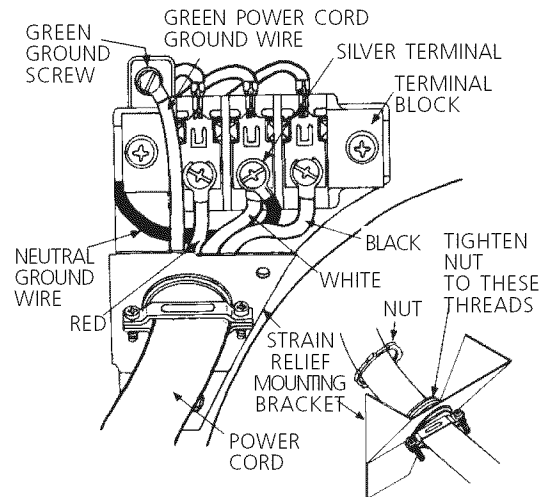
**⚠ WARNING** Do not make a sharp bend or crimp wiring/conductor at connections.

6. Reattach the strain relief mounting bracket to the back of the dryer with two screws. Tighten screws securely.
7. Tighten the screws securing the cord restraint firmly against the power cord.
8. Tighten the strain relief nut securely so that the strain relief does not turn.
9. Reinstall the terminal block cover.

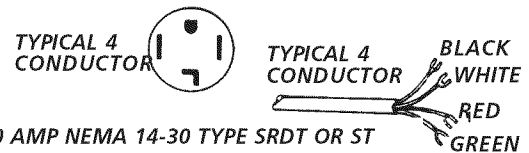
## ELECTRICAL CONNECTIONS FOR 4-WIRE SYSTEM

### USA ELECTRIC Dryer

1. Remove the screws securing the terminal block access cover and the strain relief mounting bracket located on the back of the dryer upper corner.
2. Install a U.L. approved strain relief in the entry hole of the mounting bracket. Finger tighten the nut only at this time.
3. Remove the ground wire from the green ground screw located above the terminal block.



4. Thread a U.L. approved 30 amp power cord, NEMA 14-30 type ST or SRDT through the strain relief.



5. Attach the green power cord ground wire to the cabinet with the green ground screw.
6. Attach the white (neutral) power cord conductor from the power cord and the neutral ground wire from the dryer harness to the silver-colored center terminal on the terminal block. Tighten the screw securely.
7. Attach the red and black power cord conductors to the outer brass-colored terminals on the terminal block.

**⚠ WARNING** Do not make a sharp bend or crimp wiring/conductor at the connections.

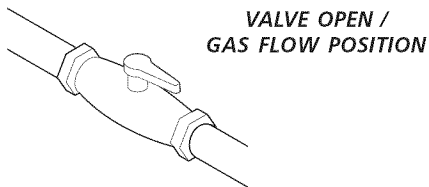
8. Tighten the screws securing the cord restraint firmly against the power cord.
9. Tighten the strain relief nut securely so the strain relief does not turn.
10. Reinstall the terminal block access cover.

## GAS CONNECTION

1. Remove the shipping cap from gas pipe at the rear of the dryer.

**NOTE: DO NOT** connect the dryer to L.P. gas service without converting the gas valve. An L.P. conversion kit must be installed by a qualified gas technician.

2. Connect a 1/2 inch (1.27 cm) I.D. semi-rigid or approved pipe from gas supply line to the 3/8 inch (0.96 cm) pipe located on the back of the dryer (see pages 6 and 7). Use a 1/2 inch to 3/8 inch (1.27 cm to 0.96 cm) reducer for a connection. Apply an approved thread sealer that is resistant to the corrosive action of liquefied gases on all pipe connections.
3. Open the shutoff valve in the gas supply line to allow gas to flow through pipe.
4. Test all connections by brushing on a soapy water solution.



**NEVER test for gas leaks with an open flame.**

## GENERAL INSTALLATION

1. Connect the exhaust duct to outside exhaust system (see pages 3 and 4). Use duct tape to seal all joints.
2. With the dryer in its final position, adjust one or more of the legs until the dryer is resting solid on all four legs. Place a level on top of the dryer. **The dryer MUST be level and resting solid on all four legs.**
3. Plug the power cord into a grounded outlet. NOTE: Check to ensure the power is off at circuit breaker/fuse box before plugging the power cord into the outlet.
4. Turn on the power at the circuit breaker/fuse box.

**CAUTION** Before operating the dryer, make sure the dryer area is clear and free from combustible materials, gasoline, and other flammable vapors. Also see that nothing (such as boxes, clothing, etc.) obstructs the flow of combustion and ventilation air.

5. Run the dryer through a cycle check for proper operation.

**NOTE:** On gas dryers, before the burner will light, it is necessary for the gas line to be bled of air. If the burner does not light within 45 seconds the first time the dryer is turned on, the safety switch will shut the burner off. If this happens, turn the timer to "OFF" and wait 5 minutes before making another attempt to light.

6. If your dryer does not operate, please review the "Avoid Service Checklist" located in your Use and Care Guide before calling for service.

7. Place these instructions in a location near the dryer for future reference.

8. To stack your dryer on a compatible washer call your local dealer or call the Toll Free number **1-800-4-MY-Home** (1-800-469-4663) to find your local distributor to purchase stacking kit accessory part number **STACKIT2**.

**NOTE:** A wiring diagram is located inside the dryer console or under the top panel.

## REPLACEMENT PARTS

### Pedestal

A pedestal accessory, **Model No. 48062 (white), 48066 (black)**, specifically designed for this dryer may be used when elevating the dryer for ease of use. Failure to use accessories certified by the manufacturer could result in personal injury, property damage or damage to the dryer.

If replacement parts are needed for your dryer, call **Sears Parts and Service Toll Free Number 1-800-4-MY-Home** (1-800-469-4663).

**CAUTION** Label all wires prior to disconnection when servicing controls. Wiring errors can cause improper and dangerous operation. Verify proper operation after servicing.

**WARNING** Destroy the carton and plastic bags after the dryer is unpacked. Children might use them for play. Cartons covered with rugs, bedspreads, or plastic sheets can become airtight chambers causing suffocation. Place all materials in a garbage container or make materials inaccessible to children.

**WARNING** The instructions in this manual and all other literature included with this dryer are not meant to cover every possible condition and situation that may occur. Good safe practice and caution **MUST** be applied when installing, operating and maintaining any appliance.

## Tabla de Materias

Requerimientos de instalación preliminares.....	13
Requerimientos eléctricos.....	13
Requerimientos del sistema de escape.....	14-16
Requerimientos del suministro de gas.....	16
Ubicación de su secadora.....	16
Dimensiones para la instalación.....	17
Instalación en casas móviles.....	18
Desembalaje.....	18
Puerta reversible.....	19-20
Instalación eléctrica.....	21
Requerimientos para la puesta a tierra.....	21
Conexiones eléctricas - trifilares.....	22
Conexiones eléctricas - tetrafilares.....	22
Instalación.....	23
Piezas de recambio.....	23

## SEGURIDAD de SECADORA

*Antes de comenzar la instalación, lea cuidadosamente estas instrucciones. Esto simplificará la instalación y asegurará que la secadora se instale correctamente y de manera segura. Después de completar la instalación, coloque estas instrucciones cerca de la secadora para referencia futura.*

**NOTA:** La alimentación eléctrica para la secadora deberá cumplir con los códigos y reglamentos locales y con la última edición del Código Eléctrico Nacional, ANSI/NFPA 70 o en Canadá CSA C22.1 Código Eléctrico Canadiense, Parte 1.

**NOTA:** La alimentación de gas para la secadora deberá cumplir con los códigos y reglamentos locales y con la última edición del Código Nacional para Gases Combustibles, ANSI Z223.1 o en Canadá CAN/CGA B149.12.

**NOTA:** La secadora está clasificada para USO DOMESTICO solamente, de acuerdo con la norma ANSI Z21.5.1 o ANSI/UL 2158 - CAN/CSA C22.2 No. 112 (las últimas ediciones). Esta secadora no se recomienda para uso comercial tal como en restaurantes, salones de belleza, etc.

### **Su seguridad y la seguridad de terceros son muy importantes.**

Hemos proporcionado muchos mensajes importantes para la seguridad en las Instrucciones de Operación del Manual de Uso y Mantenimiento, las Instrucciones de Instalación y en el mismo aparato. Siempre lea y obedezca todos los mensajes para seguridad.

**⚠** Este símbolo significa alerta. Este símbolo lo alerta acerca de peligros que pueden matar o lesionar, tanto a usted como a otras personas. Todos los mensajes de seguridad serán precedidos por el símbolo de alerta para su seguridad y la palabra "**PELIGRO** o **ADVERTENCIA**" (**DANGER** o **WARNING**). Estas palabras significan:

**⚠ PELIGRO PELIGRO (DANGER) Usted morirá o resultará seriamente lesionado si no sigue las instrucciones siguientes.**

**⚠ ADVERTENCIA ADVERTENCIA (WARNING) Usted puede morir o resultar seriamente lesionado si no sigue las instrucciones siguientes.**

**Todos los mensajes de seguridad identificarán el peligro, le dirán a usted cómo reducir la posibilidad de lesión y también qué puede suceder si no se siguen las instrucciones.**

**⚠ ADVERTENCIA** Para su seguridad, siga las instrucciones contenidas en este manual a fin de reducir a un mínimo los riesgos de incendio o explosión o para evitar daños materiales, lesiones personales o la muerte.

- No almacene ni utilice gasolina u otros vapores y líquidos inflamables en la proximidad de éste o de cualquier otro artefacto eléctrico.

#### **QUE DEBE HACER SI PERCIBE OLOR A GAS**

- No trate de encender ningún artefacto eléctrico.
- No toque ningún interruptor eléctrico; no use ningún teléfono en su edificio.
- Haga salir a todos los ocupantes de la habitación, del edificio y del lugar.
- Llame a su proveedor de gas desde el teléfono de un vecino. Siga las instrucciones del proveedor de gas.
- Si no logra comunicarse con su proveedor de gas, llame al departamento de bomberos.

La instalación y el servicio de mantenimiento debe de realizarlos un instalador calificado, la agencia de servicios o el proveedor de gas.

## REQUERIMIENTOS DE INSTALACIÓN PRELIMINARES

### Herramientas y materiales necesarios para la instalación:

1. Destornillador Phillips
2. Pinzas universales
3. Nivel de gota
4. Destornillador para tornillo de cabeza plana o recta
5. Cinta para ductos
6. Ducto metálico rígido o flexible de 4" (10,2 cm)
7. Caperuza de salida
8. Sellador de tuberías (gas)
9. Un cuchillo de plástico

## REQUERIMIENTOS ELÉCTRICOS

### Secadoras ELÉCTRICAS

**CIRCUITO:** circuito independiente individual de 30 A con fusibles de acción retardada o disyuntores.

Use circuitos con fusibles separados para las lavadoras y secadoras y **NO** haga funcionar una lavadora y una secadora en el mismo circuito.

**SUMINISTRO ELÉCTRICO:** trifilar o tetrafilar, 240 V, 1 fase, 60 Hz, corriente alterna.

**CABLE DE ALIMENTACIÓN ELÉCTRICA: Trifilar:** la secadora **DEBE** emplear un cable de alimentación eléctrica de 3 conductores tipo NEMA 10-30, SRDT calificado para CA mínima de 240 voltios, 30 A., con 3 conectores de terminal horquilla con extremos doblados hacia arriba o de bucle cerrado y calificados para uso en secadoras de ropa. Vea CONEXIONES ELÉCTRICAS PARA UN SISTEMA TRIFILAR.

**Tetrafilar:** la secadora **DEBE** emplear un cable de alimentación eléctrica de 4 conductores tipo NEMA 14-30, SRDT o ST (según se especifique) calificado para CA mínima de 240 voltios, 30 amp., con 4 conectores de terminal horquilla con extremos doblados hacia arriba o de bucle cerrado y calificados para uso en secadoras de ropa. Vea CONEXIONES ELÉCTRICAS PARA UN SISTEMA TETRAFILAR.

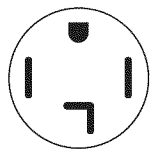
(Canadá - cable de alimentación eléctrica de 4 cables instalado en la secadora.)

**ADVERTENCIA: riesgo de choque eléctrico** Electrodoméstico puesto a tierra a través de un enlace al conductor neutro. La puesta a tierra a través del neutro está prohibida para (1) instalaciones de circuitos de bifurcación nuevos (2) casas rodantes; (3) vehículos recreativos; y (4) áreas cuyas leyes locales no permiten la puesta a tierra a través del neutro; (1) desconecte el enlace al neutro; (2) use un terminal o cable de puesta a tierra para realizar la conexión según las leyes locales; y (3) conecte el terminal o cable del neutro al neutro del circuito de bifurcación como se hace normalmente (si el electrodoméstico se va a conectar a través de un kit de cordón eléctrico, use un cable tetrafilar). **SÓLO USE CABLES DE COBRE.**

**RECEPTÁCULO DEL TOMACORRIENTE:** receptáculo NEMA 10-30 R que debe estar ubicado en un lugar al que el cable de alimentación eléctrica pueda acceder cuando la secadora esté instalada. (Canadá: receptáculo NEMA 14-30R.)



NEMA 10-30R



NEMA 14-30R

### Secadoras a GAS

**CIRCUITO** - Circuito individual derivado de 15 amp, con fusibles de 15 amp. de retardo máximo o disyuntor.

**ALIMENTACIÓN ELÉCTRICA** - Corriente alterna, monofásica, 60 Hz, 120 voltios, trifilar.

**CABLE TOMACORRIENTE** - La secadora está equipada con un cabletomacorriente trifilar para 120 voltios.

**NOTA:** No saque por ningún motivo la pierna de puesta a tierra del enchufe.



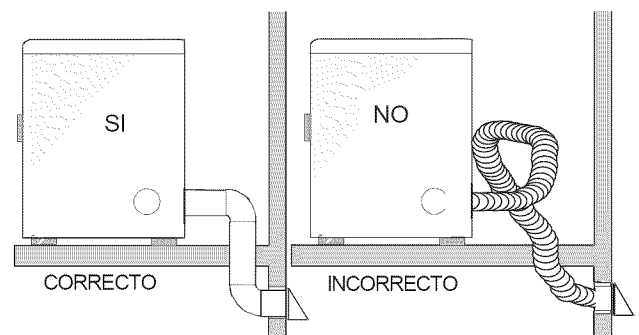
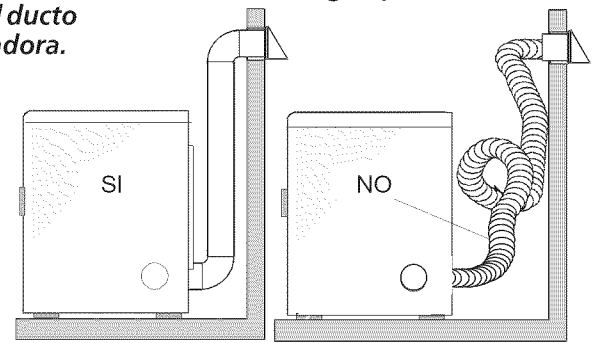
### REQUERIMIENTOS DEL SISTEMA DE ESCAPE

Utilice solamente ductos **metálicos**, rígidos o flexibles de 4" (10,2 cm) de diámetro (mínimo) y una tapa de salida de uso aprobado, con bisagras que se abren cuando la secadora se encuentra en funcionamiento. Cuando la secadora se detiene, la tapa se cierra automáticamente para evitar las corrientes de aire y la entrada de insectos y roedores. Para evitar obstruir la salida, mantenga una altura libre mínima de 12" (30,5 cm) entre la tapa de salida y el piso o entre cualquier otra obstrucción.

**ADVERTENCIA** Los siguientes requerimientos son específicos para el funcionamiento correcto y seguro de su secadora. El incumplimiento de estas instrucciones puede causar prolongación excesiva del tiempo de secado y riesgos de incendio.

**ADVERTENCIA** No use ductos flexibles de plástico para el escape de la secadora.

Se puede acumular un exceso de pelusas en el sistema de escape, crear un riesgo y obstruir el flujo de aire. La restricción del flujo del aire prolongará el tiempo de secado. Si su sistema de escape actual tiene ductos de plástico o de láminas metálicas delgadas, **reemplácelo** con un ducto metálico rígido o flexible. **Asegúrese de que los ductos existentes no tengan pelusas antes de instalar el ducto de la secadora.**




**⚠ Riesgo de incendio** - La secadora debe ser ventilada al exterior de la vivienda. No ventile la secadora a una chimenea, pared, techo, ático, pasajes entre pisos o cualquier espacio oculto de la vivienda. Las secadoras de ropa producen pelusa combustible. Si no se ventila la secadora al exterior, algunas pelusas finas se acumularán en el área de lavandería. La acumulación de pelusa en cualquier área de la vivienda puede constituir un peligro sanitario y un riesgo de incendio. **La secadora debe estar conectada a un sistema de escape que termine en el exterior de la vivienda.** Inspeccione la abertura de escape al exterior con frecuencia y elimine cualquier acumulación de pelusa en tal abertura y en el área que la rodea.

**⚠ No permita que los materiales combustibles (por ejemplo: la ropa, cortinas/cortinajes, papel) tengan contacto con los ductos.** El escape de la secadora **NO DEBE** dirigirse hacia el interior de una chimenea, hacia una pared, hacia el cielo raso o hacia cualquier otro espacio reducido del edificio, donde puede ocurrir acumulación de pelusas y constituir un peligro de incendio.

**⚠ Exceder la longitud del conducto rígido o los números de codos permitidos en los diagramas "LARGO MÁXIMO"** puede disminuir la capacidad de de desahogo del sistema. Obstruir el conducto puede provocar peligro de incendio, así como aumentar el tiempo de secado.

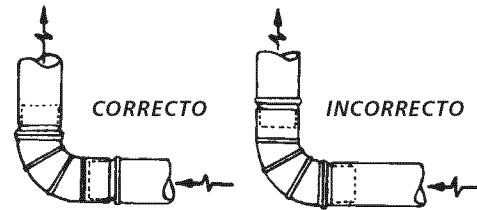
		<b>LARGO MÁXIMO del Conducto Metálico Rígido de 4" (10,2 cm) de Diámetro</b>	
		<b>TIPO DE CAPERUZA DE SALIDA (Preferido)</b>	
Número de Codos a 90°		<i>Apersianada</i> 	
	4" (10,2 cm)		2½" (6,35 cm)
0	60 pies (18,28 m)	48 pies (14,63 m)	
1	52 pies (15,84 m)	40 pies (12,19 m)	
2	44 pies (13,41 m)	32 pies (9,75 m)	
3	32 pies (9,75 m)	24 pies (7,31 m)	
4	28 pies (8,53 m)	16 pies (4,87 m)	

		<b>LARGO MÁXIMO del Conducto Metálico Flexible de 4" (10,2 cm) de Diámetro</b>	
		<b>TIPO DE CAPERUZA DE SALIDA (Preferido)</b>	
Número de Codos a 90°		<i>Apersianada</i> 	
	4" (10,2 cm)		2½" (6,35 cm)
0	30 pies (9,14 m)	18 pies (5,49 m)	
1	22 pies (6,71 m)	14 pies (4,27 m)	
2	14 pies (4,27 m)	10 pies (3,05 m)	
3	NO RECOMENDADO		

**⚠ No coloque un filtro en el extremo del escape del sistema ni emplee tornillos o remaches para ensamblar el sistema de escape.** Las pelusas podrían quedar atrapadas en los filtros, en los tornillos o en los remaches, lo cual obstruiría el sistema de escape y crearía un riesgo de incendio, así como también prolongaría el tiempo de secado.

Use una tapa de salida adecuada para el extremo del ducto que salga al exterior de la vivienda y selle todas las juntas con cinta adhesiva para ductos. Todos los accesorios de tubería machos, **DEBEN** ser instalados aguas abajo del flujo de aire.

**⚠ ADVERTENCIA Riesgo de explosión. No instale la secadora donde se guarda gasolina u otros materiales inflamables.** Si la secadora se instala en un garage, ella debe estar por lo menos 18 pulgadas (45,7 cm) por encima del suelo. El incumplimiento puede resultar en la muerte, explosión, incendio, o quemaduras.



**INSTALE EL LADO MACHO DE LOS ACCESORIOS EN LA DIRECCIÓN CORRECTA**

Para las instalaciones cuyo sistema de desahogo no se encuentre en el diagrama, se puede utilizar el método a continuación para determinar si el sistema de desahogo es apropiado.

1. Conecte un manómetro a tubo inclinado o digital entre la secadora y el unión de desahogo de la secadora.
2. Ponga el contador de tiempo de la secadora y la temperatura a aire frío (enfriamiento), y la secadora en la posición de marcha.
3. Lea la medida indicada en el manómetro.
4. La baja presión **NO DEBE** exceder 0.75 pulgada de la columna de agua. Si la baja presión es inferior a 0.75" de la columna de agua, el sistema es aceptable. Si la lectura indica una presión superior a 0.75" de la columna de agua, la capacidad del circuito es insuficiente y la instalación es inaceptable.

Aunque un sistema vertical sea aceptable, algunas circunstancias atenuantes pueden afectar el funcionamiento de la secadora:

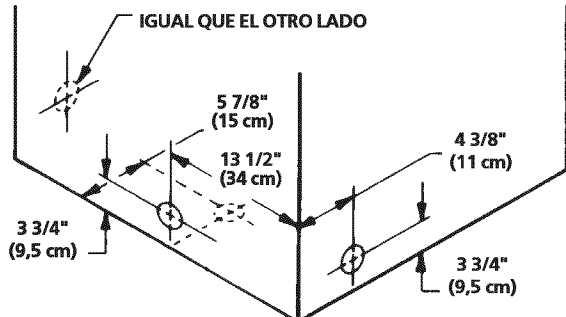
- Se debe utilizar solamente conductos metálicos rígidos.
- Una salida del sistema vertical en el techo, puede exponerle a un corriente de aire descendente y disminuir así su capacidad de desahogo.
- Atravesar el sistema de desahogo por una área insolada puede tener acumulación de pelusa mas rápidamente.
- La capacidad de desahogo del un sistema disminuirá si es comprimido.

El sistema de desahogo debe de ser inspeccionado y limpiado por lo menos **cada 18 meses** de uso normal. Cuanto más la secadora está utilizada, más debe verificar el buen funcionamiento del sistema de desahogo y de la tapa del orificio de ventilación.

## UBICACIÓN DEL ESCAPE

Todas las secadoras vienen de fábrica equipadas con escape trasero. Sin embargo, en las secadoras eléctricas, el escape puede hacerse al lado derecho o izquierdo del gabinete o en la parte inferior de la secadora. En las secadoras a gas, el escape del aire puede estar en el lado derecho del gabinete o en la parte inferior de la secadora. El escape direccional puede efectuarse instalando un Juego de Escape, P/N 131456800, disponible a través de su distribuidor de repuestos. Siga las instrucciones que se suministran con el juego.

### DIMENSIONES PARA LA UBICACIÓN DEL DUCTO DE ESCAPE



### REQUERIMIENTOS DEL SUMINISTRO DE GAS

**⚠ ADVERTENCIA** Reemplace la tubería de conexión de cobre que no está recubierta con plástico. Acero inoxidable o latón recubierto de plástico DEBE SER utilizado.

1. La instalación **DEBE** hacerse cumplir con los códigos locales o en ausencia de los mismos, de acuerdo con los estándares del National Fuel Gas Code (Código Nacional para Gases Combustibles), ANSI Z223.1 (la última edición).
2. La tubería de alimentación de gas debe ser de 1/2 pulgada (1,27 cm) de diámetro.
3. Si está permitido por los códigos locales, se puede usar tubería de metal para conectar su secadora a la línea de suministro de gas. La tubería **DEBE** ser fabricada de acero inoxidable o latón recubierto de plástico.
4. La tubería de alimentación de gas **DEBE** tener una llave de cierre individual.
5. Una toma de 1/8 de pulgada (0,32 cm) N.P.T. accesible para conexión del manómetro de prueba, **DEBE** ser instalada inmediatamente de la conexión de la tubería de alimentación de gas a la secadora.
6. La secadora **DEBE** ser desconectada del sistema de tuberías de alimentación de gas durante cualquier ensayo de presión del sistema de tuberías de alimentación de gas realizado a presiones de prueba mayores a 1/2 lbs/pulg.<sup>2</sup> (3,45 kPa).
7. La secadora **DEBE** aislarse del sistema de tuberías de alimentación de gas durante cualquier ensayo de presión del sistema de tuberías de alimentación de gas realizado en ensayos de presión iguales o inferiores a 1/2 lbs/pulg.<sup>2</sup> (3,45 kPa).

## UBICACIÓN DE SU SECADORA

### NO INSTALE SU SECADORA:

1. En un lugar donde puede haber goteos de agua o quede expuesta a las inclemencias del tiempo.
2. En un área donde pueda entrar en contacto con cortinas, cortinajes o cualquier otra cosa que obstruya el flujo de combustión y ventilación de aire.
3. Sobre alfombras. El piso **DEBE** ser firme con un desnivel máximo de 1 pulgada (2,54 cm).

### INSTALACIÓN DENTRO DE UN NICH O ARMARIO

1. Si la secadora es instalada en un dormitorio, cuarto de baño, nicho o armario, el tubo del escape **DEBE** ser instalado hacia el exterior.
2. No se debe instalar ningún otro artefacto que quemé combustible en el mismo armario en que está instalada la secadora a Gas.
3. La secadora necesita espacio a su alrededor para una ventilación adecuada.

### NO instale la secadora en un armario con puerta maciza.

4. Se requiere como mínimo una abertura de 120 pulgadas cuadradas (774,2 cm<sup>2</sup>), dividida equitativamente para la parte superior e inferior de la puerta. Cuando se instala una puerta, es necesario proveer aberturas para el aire. Una puerta con persianas con aberturas para el aire en todo el largo de la puerta es aceptable.

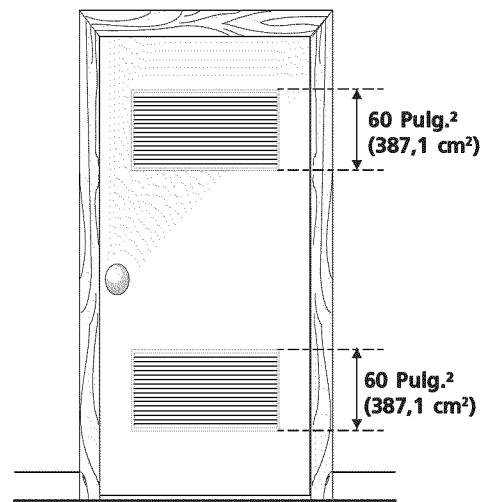
## DESPEJES MÍNIMOS DE INSTALACIÓN - Pulgadas (cm)

	Parte Delantera	Parte Lados	Parte Trasera	Parte Superior
Alcoba	0 (0 cm)	0 (0 cm)	0 (0 cm)	0 (0 cm)
Armario	0 (0 cm)	0 (0 cm)	0 (0 cm)	0 (0 cm)
	1 (2,54 cm)			

Ventilación requerida en la puerta del armario: dos aberturas cada una de 60 pulg.<sup>2</sup> (387 cm<sup>2</sup>) — 3" (7,6 cm) desde la parte inferior y superior de la puerta.

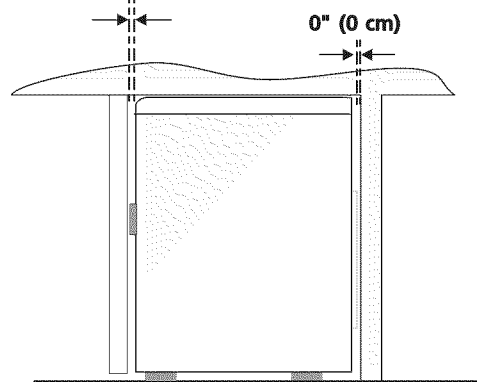
**El tubo del escape de la secadora debe ser instalado hacia el exterior.**

5. Las siguientes ilustraciones muestran las dimensiones mínimas de espacio libre que debe existir para el buen funcionamiento de la secadora cuando se instala en un nicho o en un armario.

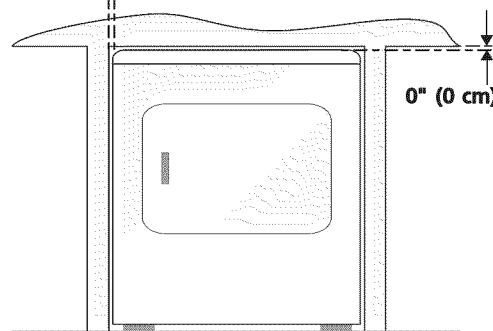


PUERTA DEL ARMARIO

1" (2,54 cm)



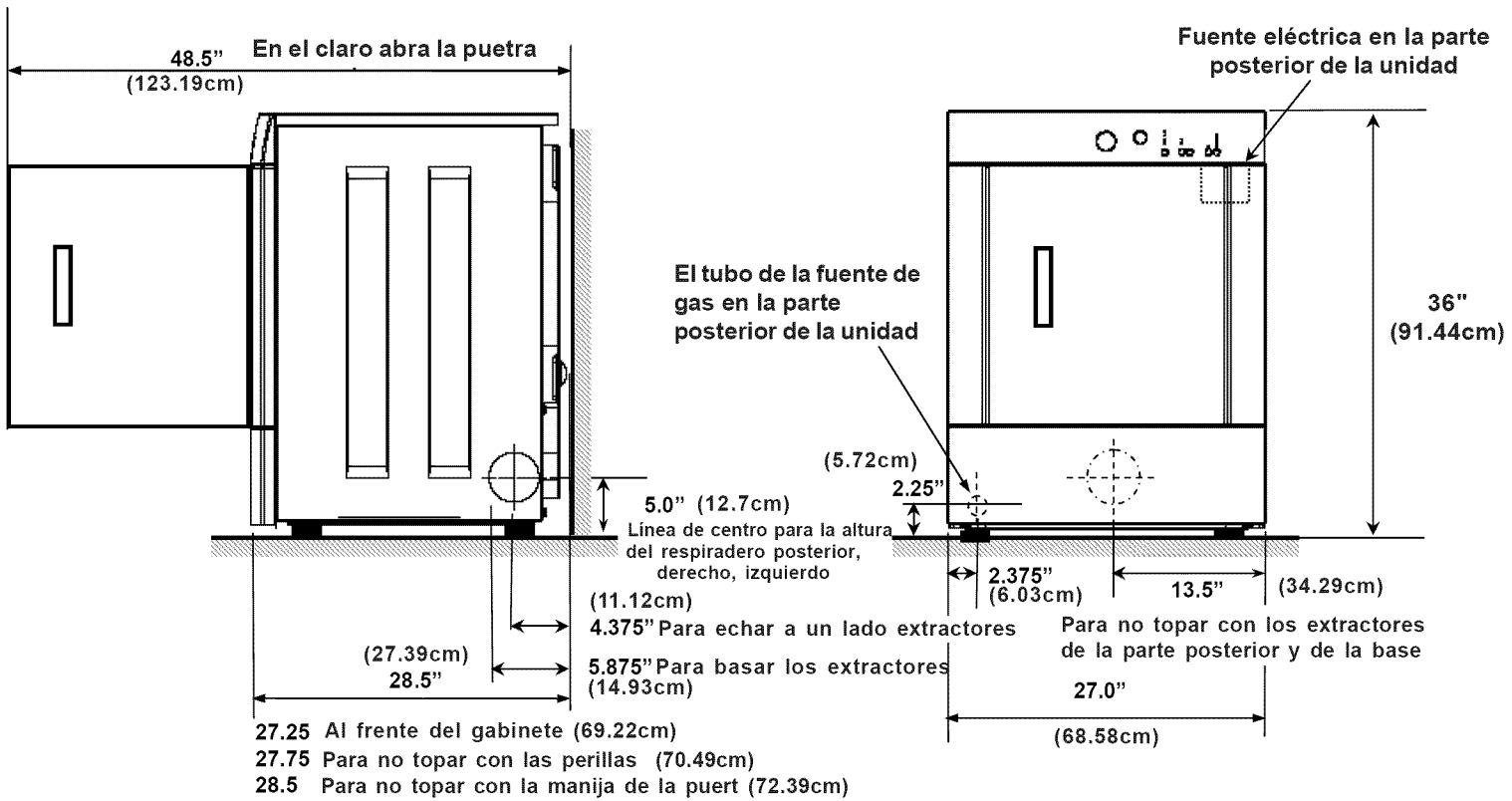
0" (0 cm)



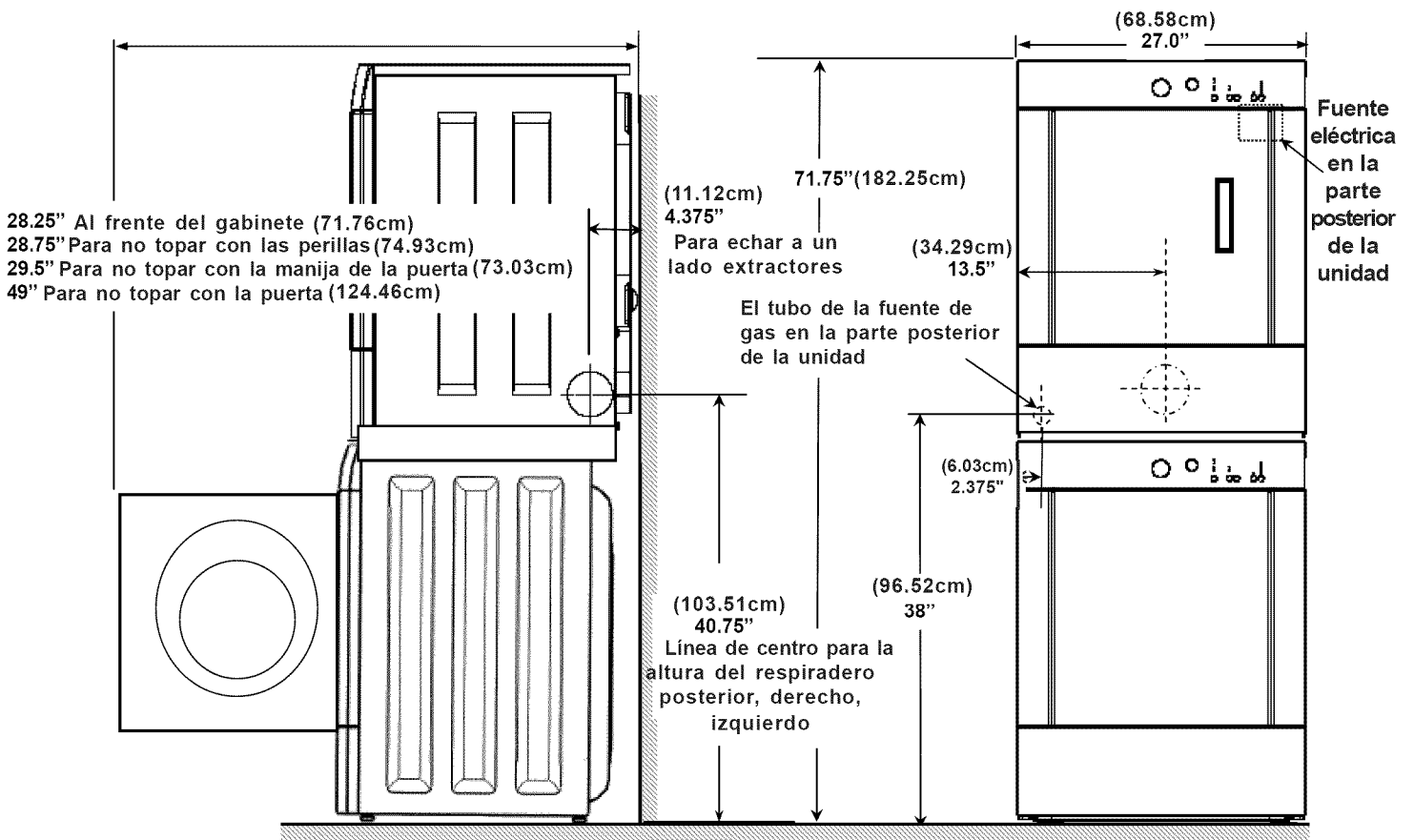
0" (0 cm)



## Dimensiones de la Instalación



## Dimensiones Apiladas De la Instalación Del Secadora



## INSTALACIÓN EN CASAS MÓVILES

1. El tubo de escape de la secadora **DEBE** ser instalado hacia el exterior (El escape debe colocarse en la parte exterior y no debajo de la casa móvil.) Debe usarse ducto de metal que no sea combustible. El ducto de metal debe tener cuatro pulgadas (10,16 cm) de diámetro y no tener obstrucciones. Es preferible usar ducto de metal que sea rígido.
2. Si el tubo de escape de la secadora corre a través del piso y el área debajo de la casa móvil esta cerrada, el ducto de escape **DEBE** terminar fuera del recinto, con el extremo final asegurado en contra de la estructura de la casa móvil.
3. Al instalar una secadora de gas en una casa móvil, hay que instalar una provisión de aire fresco suplementario. La provisión tiene que ser más grande que dos veces el espacio del escape de la secadora.
4. Esta secadora **DEBE** asegurarse al piso. El juego para instalación en la casa móvil es el No. 346764 y lo puede adquirir con su distribuidor.
5. Vea las páginas 2 y 3 para otros requisitos importantes de ventilación.
6. La instalación **DEBE** cumplir con las estándares aplicables de la Manufactured Home Construction & Safety Standard - Estándares de Seguridad y Construcción de Casas Prefabricadas (Título 24 CFR - Parte 32-80 del Reglamento Federal) o cuando dichos estándares no sean aplicables, se deben cumplir con los estándares de la American National Standard for Mobile Homes (Estándares Nacionales Americanas para Viviendas Móviles).

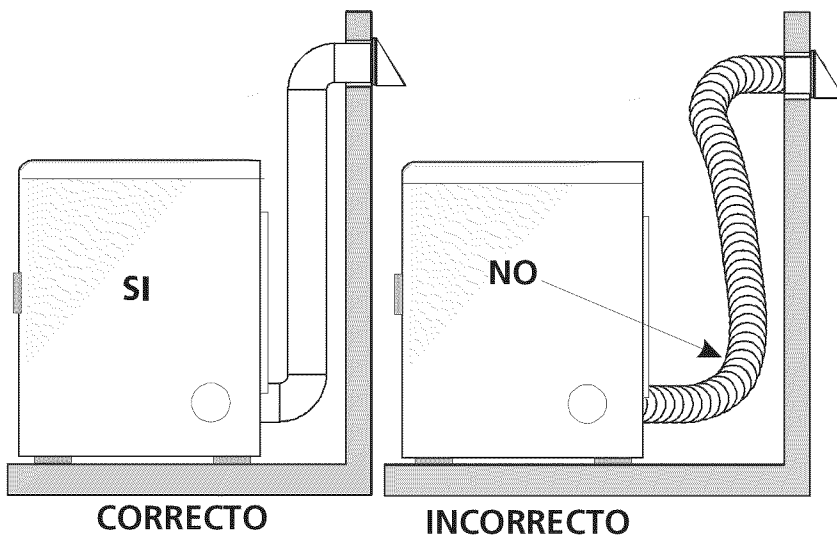
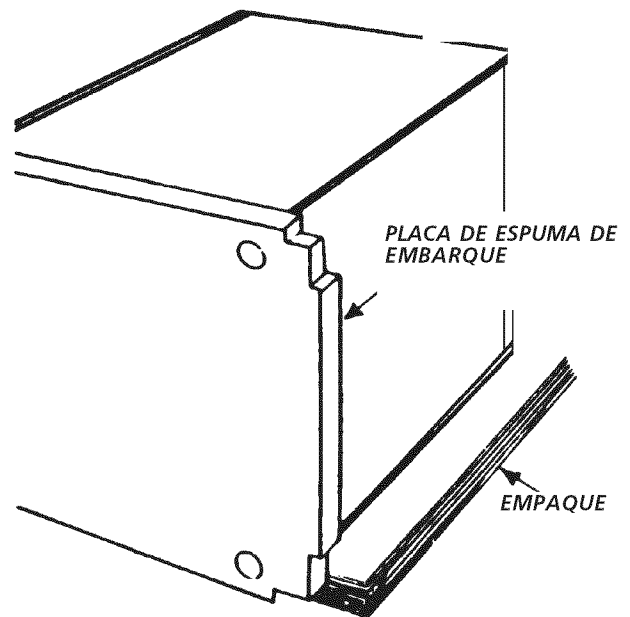
**⚠️ ADVERTENCIA** Esta secadora ha sido diseñada **PARA USO DOMESTICO** solamente, de acuerdo con la norma ANSI Z 21.5.1 o ANSI/UL 2158-CAN/CSA C22.2 (las últimas ediciones).

## MODELOS AUTÓNOMOS CON CONSOLA SUPERIOR DIMENSIONES PARA LA INSTALACIÓN DESEMBALAJE

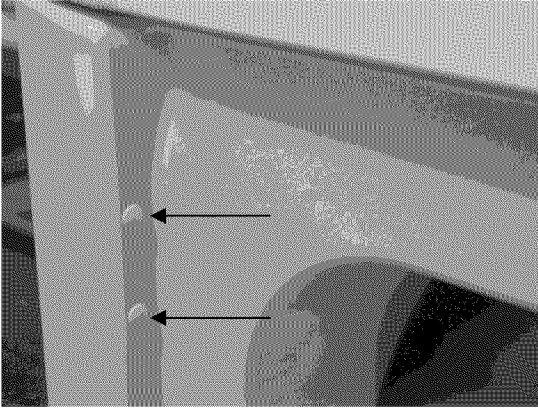
1. Utilizando las cuatro esquineros de embarque de la caja de cartón (dos a cada lado), coloque cuidadosamente la secadora sobre el costado izquierdo y saque la base de espuma de embarque.

**⚠️ ATENCION** Para evitar daños, no use el panel de control como un medio para levantar o mover la secadora.

2. Vuelva la secadora a su posición vertical.

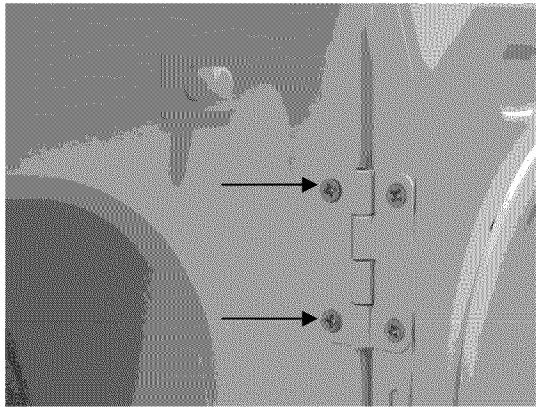


## Instrucciones para la inversión de la puerta



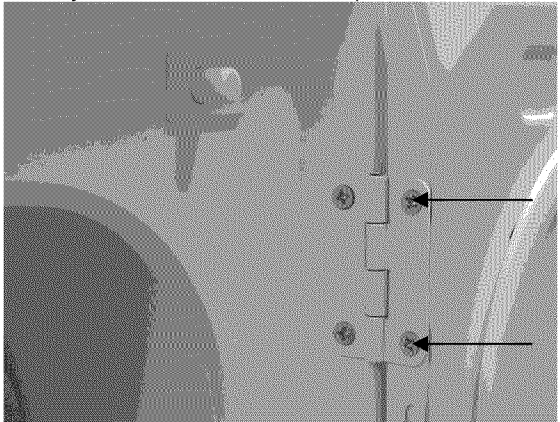
**Figura 1**

1. Abra la puerta y quite los cuatro (4) tapones situados en la abertura de la puerta, en el lado opuesto a las bisagras. A menos que se indique lo contrario, conserve todas las piezas para usarlas posteriormente (figura 1). **Nota:** tenga cuidado al retirar los tapones, a fin de no rasguñar la pintura del panel delantero.



**Figura 2**

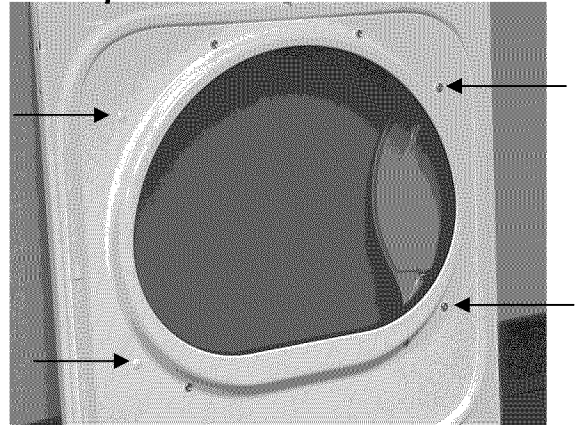
2. Quite los cuatro (4) tornillos que sujetan la bisagra al panel delantero (figura 2). Para mejores resultados, empiece por quitar solamente un tornillo por bisagra. A continuación, afloje los otros dos tornillos mientras sujeta firmemente la puerta, a fin de evitar daños a la bisagra, el panel delantero o la puerta. Una vez aflojados todos los tornillos, proceda a retirarlos.



**Figura 3**

3. Coloque la puerta sobre una toalla o un material protector, con la manija de la puerta hacia abajo, a fin de evitar rasguños en la puerta. Quite los cuatro (4) tornillos que sujetan la bisagra a la puerta (figura 3).

4. Quite los cuatro (4) tornillos del lado opuesto de la puerta donde la bisagra estaba instalada.



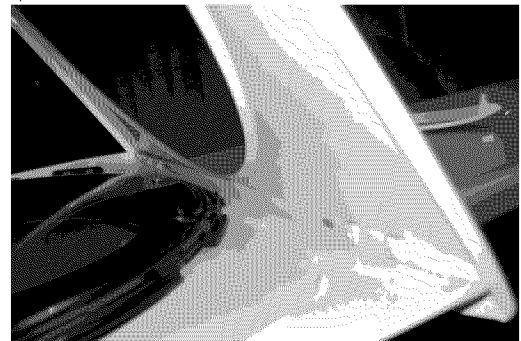
**Figura 4**

5. Quite los dos (2) tornillos de la manija de la puerta y los dos (2) tapones plásticos de la puerta, teniendo cuidado una vez más de no rasguñar la pintura de la puerta (figura 4).



**Figura 5**

6. Tire de la manija para retirarla del conjunto de la puerta (figura 5).



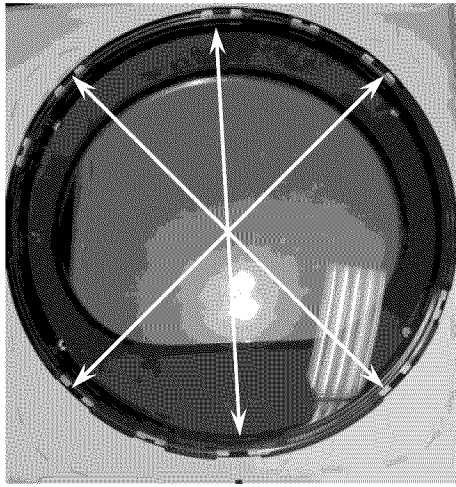
**Figura 6**

7. Separe el conjunto exterior de la puerta del conjunto interior de la puerta con una espátula o destornillador plano (figura 6).



**Figura 7**

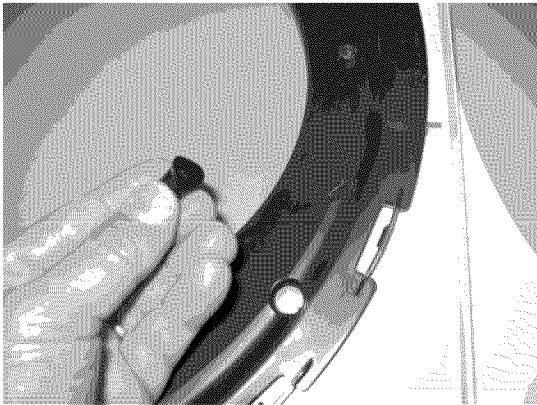
8. Despegue del vidrio (lente) de la ventana de la puerta cualquier trozo de cinta adhesiva y deseche dichos trozos (figura 7).



**Figura 8**

9. Suelte varias de las lengüetas de retención y tire suavemente del vidrio (lente) de la ventana, para retirarlo del marco circular (figura 8).

10. Quite dos (2) de los tapones del marco circular. Los tapones se pueden quitar fácilmente si los presiona hacia afuera desde la parte trasera de la pieza. Reinstálelos en el lado en que se encontraba previamente la manija (figuras 9 y 10).

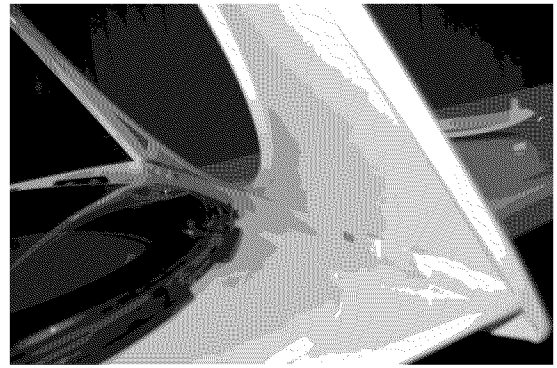


**Figura 9**



**Figura 10**

11. Vuelva a instalar el vidrio (lente) de la ventana de la puerta en el marco circular, con los agujeros para instalar la manija en el lado derecho del conjunto de la puerta. Para que quede acoplado correctamente, asegúrese de que las lengüetas de retención del marco circular queden en la parte superior del vidrio y que los agujeros para la manija existentes en el vidrio queden alineados con los agujeros del marco circular.



**Figura 11**

12. Vuelva a instalar el conjunto exterior de la puerta exterior en el conjunto interior de la puerta (figura 11).

13. Instale los cuatro (4) tornillos que sujetan la bisagra al conjunto de la puerta en la nueva ubicación, teniendo en cuenta la orientación correcta al colocar la bisagra.

14. Instale los cuatro (4) tornillos en los agujeros que sujetaban previamente la bisagra.

15. Utilice unas pinzas para oprimir cada extremo lateral del pestillo, retirarlo del conjunto interior de la puerta y dejarlo aparte.

16. Quite el tapón cuadrado de plástico del conjunto interior de la puerta y reinstálelo en el agujero del pestillo.

17. Instale el nuevo pestillo (incluido en la bolsa que contiene la documentación) en el agujero en que se había instalado previamente el tapón cuadrado de plástico.



**Figura 12**

18. Vuelva a instalar la manija de la puerta colocando los salientes de montaje de la manija a través de los agujeros del vidrio (lente) de la ventana de la puerta y del marco circular, e insertando los tornillos a través del conjunto interior de la puerta y apretándolos dentro de los salientes de la manija (figura 12).

19. Sujete firmemente la parte superior de la puerta, coloque la puerta cerca de la abertura de la puerta y alinee el agujero para la bisagra superior con el agujero superior situado en el panel delantero de la abertura de la puerta. Una vez que el primer tornillo quede insertado, inserte el segundo tornillo en la bisagra inferior. Una vez que ambos tornillos estén apretados, apriete los otros dos tornillos.

20. Instale los cuatro (4) tapones (retirados en el paso 1) en el panel delantero de la abertura de la puerta, donde estaban instaladas previamente las bisagras.

## INSTALACIÓN ELÉCTRICA

### Secadoras ELÉCTRICAS

**⚠️ ADVERTENCIA** *Los siguientes requerimientos son específicos para el funcionamiento correcto y seguro de su secadora. El incumplimiento de estas instrucciones puede causar prolongación excesiva del tiempo de secado y riesgos de incendio.*

**⚠️ ADVERTENCIA** *Este artefacto DEBE ser puesto a tierra de manera correcta.* Si la secadora no está debidamente puesta a tierra se puede producir un choque eléctrico. Siga las instrucciones indicadas en este manual para la puesta a tierra en forma correcta.

**⚠️ ADVERTENCIA** *No use un cordón de extensión con esta secadora.* Algunos cordones de extensión no pueden soportar la cantidad de corriente eléctrica que utiliza esta secadora y pueden fundirse, creando un peligro de choque eléctrico y/o incendio. Ubique la secadora de manera que el cordón eléctrico llegue hasta el tomacorriente que se va a usar, dejando un poco de holgura para el cordón. Consulte los requerimientos de instalación preliminares indicados en este manual para el cordón eléctrico que debe ser adquirido.

**⚠️ ADVERTENCIA** *Se debe instalar un anclaje aprobado por el U.L. para el cordón eléctrico.* Si no se utiliza un anclaje para sujetar el cordón eléctrico, éste puede salirse de la secadora y cortarse con cualquier movimiento, resultando en un choque eléctrico.

**⚠️ ADVERTENCIA** *No utilice un tomacorriente con cables de aluminio con un cordón y un enchufe de cobre (o viceversa).* Se produce una reacción química entre el cobre y el aluminio que puede causar cortacircuitos. **El cableado y tomacorriente apropiado es un cordón eléctrico equipado con conductores de cobre con un tomacorriente con conductores de cobre.**

**NOTA:** Las secadoras que operan con un suministro de energía de 208 voltios usarán más tiempo de secado que aquellas que operan con un suministro de energía de 240 voltios.

### REQUERIMIENTOS PARA LA PUESTA A TIERRA

#### Secadoras ELÉCTRICAS

**⚠️ PELIGRO** La conexión indebida del conductor de puesta a tierra del equipo puede ocasionar un riesgo de choque eléctrico. Consulte con un electricista profesional si tiene alguna duda respecto a la puesta a tierra correcta del artefacto.

**Para una secadora puesta a tierra, con cordón eléctrico:**

1. La secadora **DEBE** ser puesta a tierra. En caso de malfuncionamiento o falla, la puesta a tierra reducirá el riesgo de choque eléctrico proporcionando un trayecto de menor resistencia a la corriente eléctrica.
2. Si su secadora está equipada con un cordón eléctrico que posee un conductor de puesta a tierra del equipo y un enchufe de puesta a tierra, dicho enchufe **DEBE** ser conectado a un tomacorriente adecuado, debidamente instalado y puesto a tierra de acuerdo con todos los códigos y reglamentos locales. Si tiene alguna duda consulte a un electricista profesional. **No modifique el enchufe proporcionado la aplicación.**

**Para una secadora conectada permanentemente:**

1. La secadora **DEBE** ser conectada a un sistema de cableado metálico permanente, puesto a tierra; o se debe instalar un conductor de puesta a tierra de equipo junto con los conductores del circuito y conectarse al borne de puesta a tierra del equipo o al cable del artefacto.

#### Secadoras ELÉCTRICAS Canadienses

**⚠️ PELIGRO** La conexión indebida del conductor de puesta a tierra del equipo puede ocasionar un riesgo de choque eléctrico. Consulte con un electricista profesional si tiene alguna duda respecto a la puesta a tierra correcta del artefacto.

**Para una secadora puesta a tierra, con cordón eléctrico:**

1. La secadora **DEBE** ser puesta a tierra. En caso de malfuncionamiento o falla, la puesta a tierra reducirá el riesgo de choque eléctrico proporcionando un trayecto de menor resistencia a la corriente eléctrica.
2. Si su secadora está equipada con un cordón eléctrico que posee un conductor de puesta a tierra del equipo y un enchufe de puesta a tierra, dicho enchufe **DEBE** ser conectado a un tomacorriente adecuado, debidamente instalado y puesto a tierra de acuerdo con todos los códigos y reglamentos locales. Si tiene alguna duda consulte a un electricista profesional. **No modifique el enchufe proporcionado la aplicación.**

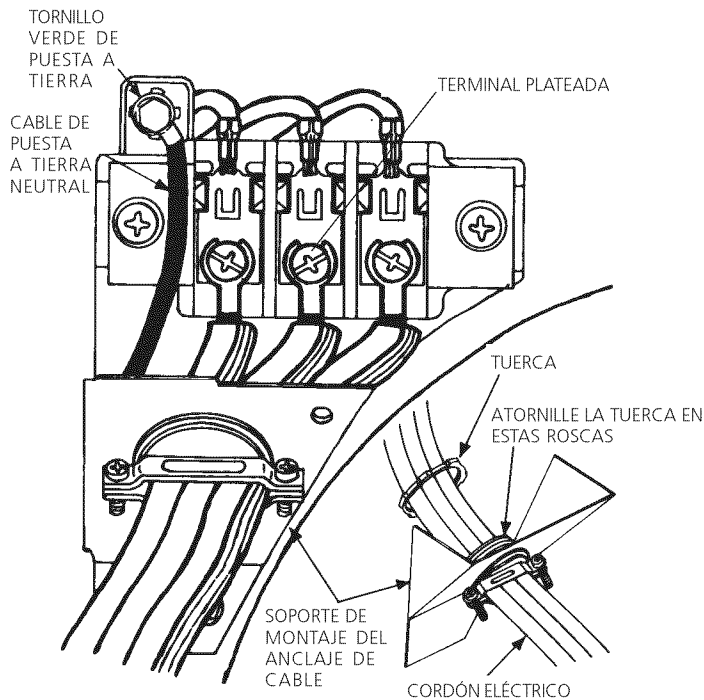
#### TODAS las secadoras a GAS

Esta secadora está equipada con un enchufe de tres piernas (de puesta a tierra) para protección en contra de choques eléctricos y debe ser conectada directamente en un receptáculo para tres piernas el cual debe estar puesto a tierra. No corte ni elimine la espiga de puesta a tierra de este enchufe.

## CONEXIONES ELÉCTRICAS PARA UN SISTEMA TRIFILAR

*Secadoras ELÉCTRICAS No Canadienses*

1. Saque los tornillos que sujetan la cubierta de acceso al las terminales y el soporte de montaje del anclaje del cordón, situado en la esquina superior de la parte trasera de la secadora.
2. Instale un anclaje de cable aprobado por el U.L., en el orificio de entrada del cordón eléctrico en el soporte de montaje. Luego apriete la tuerca con los dedos solamente.



3. Inserte un cordón eléctrico de 30 amp, NEMA 10-30 Tipo SRDT, aprobado por el U.L., a través del anclaje de cable.
4. Conecte el conductor neutro del cordón eléctrico (cable central) a la terminal central plateada del tablero de terminales. Apriete firmemente el tornillo.
5. Conecte los dos conductores externos restantes del cordón eléctrico a las terminales color bronce situadas al extremos del tablero de terminales. Apriete firmemente los tornillos.

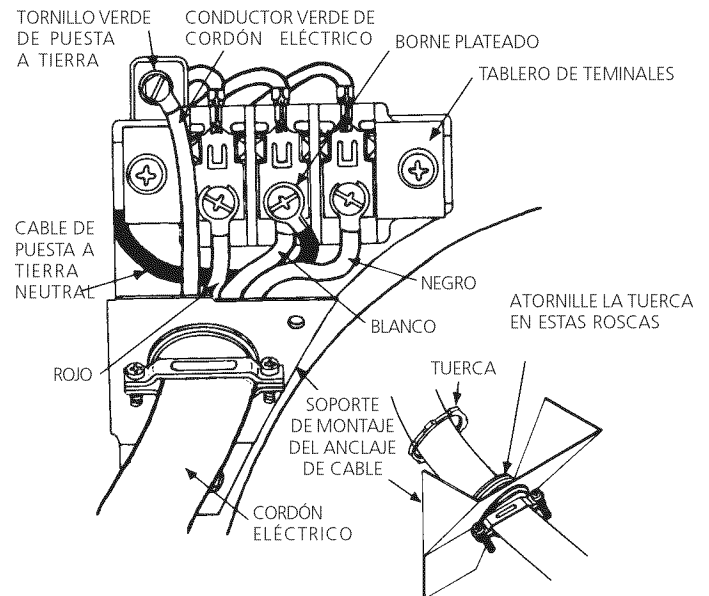
**⚠ ADVERTENCIA** No doble en forma pronunciada ni engarce los cables/conductores en las conexiones.

6. Coloque nuevamente el soporte de montaje del anclaje de cable en la parte trasera de la secadora con dos tornillos. Apriete firmemente los tornillos.
7. Apriete firmemente los tornillos del anclaje de cable contra el cordón eléctrico.
8. Apriete la tuerca del anclaje de cable a fin de que el anclaje no gire.
9. Coloque nuevamente la cubierta del tablero de terminales.

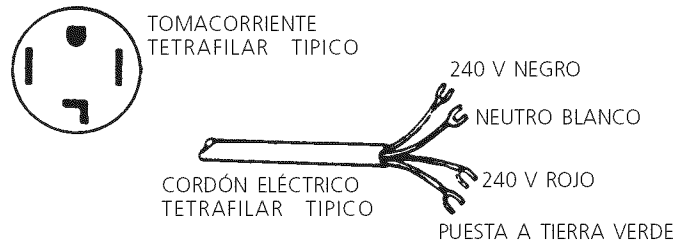
## CONEXIONES ELÉCTRICAS PARA UN SISTEMA TETRAFILAR

*Secadoras ELÉCTRICAS No Canadienses*

1. Saque los tornillos que sujetan la cubierta de acceso del tablero de terminales y el soporte de montaje del anclaje de cable situado en la esquina superior en la parte trasera de la secadora.
2. Instale un anclaje de cable aprobado por el U.L., en el orificio de entrada del cordón eléctrico en el soporte de montaje. Luego apriete la tuerca con los dedos solamente.



3. Desconecte el cable de puesta a tierra neutral del tornillo verde de puesta a tierra situado en la parte superior del tablero de terminales.



**CORDÓN ELÉCTRIC DE 30 AMP NEMA 14-30 TIPO SRDT O ST**

4. Inserte un cordón eléctrico tetrafilar de 30 amp, NEMA 10-30 Tipo ST o SRDT, aprobado por el U.L., a través del anclaje de cable.
5. Conecte el cable verde de puesta a tierra del cordón eléctrico al gabinete mediante el tornillo verde de puesta a tierra.
6. Conecte el conductor blanco (neutro) del cordón eléctrico y el cable de puesta a tierra neutro del mazo de cables de la secadora a la terminal plateada central del tablero de bornes.
7. Conecte los conductores rojo y negro del cordón eléctrico a las terminales color bronce a los externos del tablero de terminales.

**⚠ ADVERTENCIA** No doble en forma pronunciada ni engarce los cables/conductores en las conexiones.

8. Apriete firmemente los tornillos del anclaje de cable contra el cordón eléctrico.
9. Apriete la tuerca del anclaje de cable a fin de que el anclaje no gire.
10. Coloque nuevamente la cubierta del tablero de terminales.

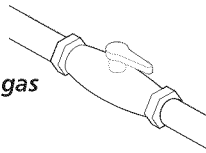
## CONEXIÓN DEL GAS

1. Saque la tapa de embarque de la tubería de gas de la secadora situada en la parte trasera.

**NOTA: NO** conecte la secadora al suministro de propano, sin convertir la válvula del gas. Un juego de conversión a propano debe ser instalado por un técnico de gas calificado.

2. Conecte una tubería semirígida de 1/2" (1,27 cm) D.I. o una tubería aprobada, desde la línea de suministro de gas a la tubería de 3/8" (0,96 cm) ubicada en la parte trasera de la secadora (ver páginas 6 y 7). Utilice un reductor de 1/2" (1,27 cm) a 3/8" (0,96 cm) para la conexión. Aplique un sellador de roscas de uso aprobado, resistente a la corrosión de los gases licuados, en todas las uniones de la tubería.
3. Abra la válvula de cierre en la línea de suministro del gas para permitir al gas de fluir en la tubería.

Válvula abierta / Posición para el flujo del gas



4. Pruebe todas las conexiones aplicando con una escobilla una solución jabonosa. **NUNCA UTILICE UNA LLAMA ABIERTA PARA DETECTAR SI HAY FUGAS DE GAS.**

## GENERAL INSTALACIÓN

1. Conecte el ducto de escape al sistema de escape exterior (ver páginas 3 y 4). Utilice cinta para ducto para sellar todas las uniones.
2. Con la secadora en su posición definitiva, ajuste una o más patas niveladores, hasta que la secadora repose firmemente sobre las cuatro patas. Coloque un nivel sobre la parte superior de la secadora. **LA SECADORA DEBE ESTAR A NIVEL Y REPOSAR SOLIDA SOBRE LAS CUATRO PATAS NIVELADORES.**
3. Conecte el cordón eléctrico a un tomacorriente puesto a tierra. **NOTA:** Asegúrese de que la corriente esté desconectada en el disyuntor/caja de fusibles, antes de conectar el cordón eléctrico en el tomacorriente.
4. Conecte la corriente en el disyuntor/caja de fusibles.

**⚠ ATENCION** Antes de poner en funcionamiento la secadora, asegúrese de que no haya materiales combustibles, gasolina y otros vapores inflamables cerca de la secadora. Además asegúrese de que no haya nada (tal como cajas, ropas, etc.) que obstruya el flujo del aire de combustión y ventilación.

5. Haga funcionar la secadora durante un ciclo completo para comprobar su buen funcionamiento.

**NOTA:** En las secadoras a gas, antes de encender el quemador es necesario purgar el aire de la tubería del gas. Si el quemador no enciende dentro de 45 segundos, cuando la secadora se enciende por primera vez, el interruptor de seguridad apagará el quemador. Si esto sucede, gire el contador de tiempo a la posición "OFF" (apagado) y espere 5 minutos antes de intentar encender la secadora nuevamente.

6. Si su secadora no funciona, consulte la sección "Lista de Control de Averías" que se encuentra en su Manual del Usuario, antes de llamar para obtener servicio.
7. Conserve estas instrucciones cerca de la secadora para referencia futura.
8. Para apilar su Secador en una Lavadora compatible, visite el Web site [www.sears.com](http://www.sears.com), llame a su distribuidor local o llame al número sin costo **1-800-4-MY-HOME (1-800-469-4663)** para encontrar su distribuidor local y comprar el número de parte **STACKIT2** - accesorio de montaje.

**NOTA:** Un cableado diagrama está situado dentro de la consola de la parte posterior de la secadora o en el interior de la secadora cerca del motor.

## PIEZAS DE RECAMBIO

### Pedestal

Este accesorio, pedestal, **Número de Modelo 48062 (Blanco) o 48066 (Negro)**, específicamente para esta secadora puede ser utilizado al elevar la secadora para la facilidad de uso. La falta de utilizar los accesorios certificados por el fabricante podría dar lugar a daños corporales, a daños materiales, o daños a la secadora.

Si necesita piezas de repuesto para su lavadora, acuda al establecimiento donde la compró, llame al 1-800-4-MY-HOME (1-800-469-4663), o visite nuestro web sitio, [www.sears.com](http://www.sears.com), para ver cual es el Distribuidor autorizado de las piezas de Sears más cercano a usted.

**⚠ ATENCION** Cuando se reparan los controles, marque todos los cables con etiquetas antes de desconectarlos. Cualquier error de cableado puede causar una operación inadecuada y peligrosa. Asegúrese de que la secadora funcione adecuadamente después de repararla.

**⚠ ADVERTENCIA** Destruya la caja de cartón y las bolsas de plástico después de haber desempacado la secadora. Los niños pueden ponerse a jugar con ellos. Las cajas de cartón cubiertas con alfombras, colchas o pedazos de plástico pueden convertirse en cámaras sin aire y causar asfixia. Elimine todos los materiales poniéndolos en la basura o fuera del alcance de los niños.

**⚠ ADVERTENCIA** Las instrucciones incluidas en este manual y en el resto de la documentación que se entrega con la secadora no pueden cubrir todas las situaciones o condiciones posibles que puedan presentarse. Por lo tanto, se **DEBEN** seguir prácticas seguras y tener cuidado cuando se instala, pone en funcionamiento y mantiene cualquier artefacto doméstico.

