

# ROPER® Undercounter Dishwasher

## PRODUCT MODEL NUMBERS

RUD1000K	RUD4500M
RUD3000K	RUD5000K
RUD4000M	RUD5750K

**Electrical:** 120-volt, 60-Hz, AC-only, 15- or 20-amp. electrical supply. Use copper wire only. A time-delay fuse or circuit breaker and separate circuit is recommended.

**Water:** A hot water line with 20-120 psi (138-862 kPa) water pressure. Water temperature must be 120°F (49°C) at dishwasher. Use 3/8" O.D. copper tubing with compression fitting or flexible stainless steel braided fill line (1/2" minimum plastic tubing is optional but not recommended). Use a 90° elbow with 3/8" N.P.T. external pipe threads on one end to connect to water inlet valve. Do not solder within 6" (15.2 cm) from water inlet valve.

**Drain:** Use the new drain hose supplied with your dishwasher. If this is not suitable, use a new drain hose with a maximum length of 12 feet (3.7 m) that meets all current AHAM/IAPMO test standards, is resistant to heat and detergent, and fits the drain connector of the dishwasher. Must have a high drain loop 20 inches (50.8 cm) above the subfloor or floor. Connect drain hose to waste tee or disposer inlet above drain trap in house plumbing and 20 inches (50.8 cm) minimum above the floor. An air gap must be used if the drain hose is connected to house plumbing lower than 20 inches (50.8 cm) above subfloor or floor. Use 1/2" minimum I.D. drain line fittings.

**Corner installation:** Allow 2" (5.1 cm) minimum between corner wall and dishwasher opening.

Grommet is required for electrical cable or power supply cord hole cut in a metal cabinet.

Do NOT install dishwasher over carpeted floor.

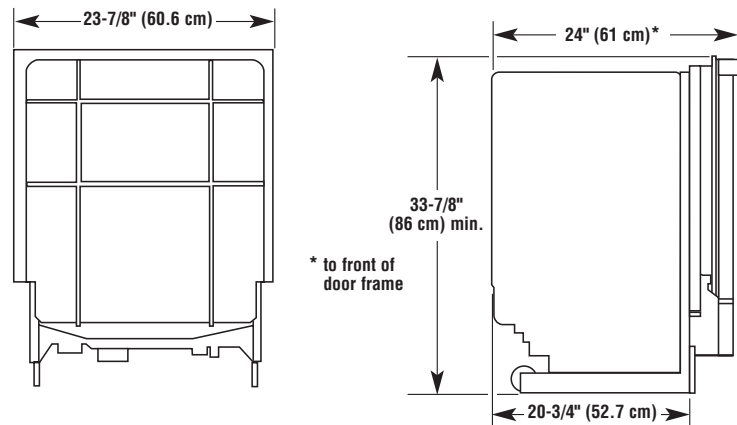
Accepts custom door panels:

RUD1000K, RUD3000K, RUD4000M

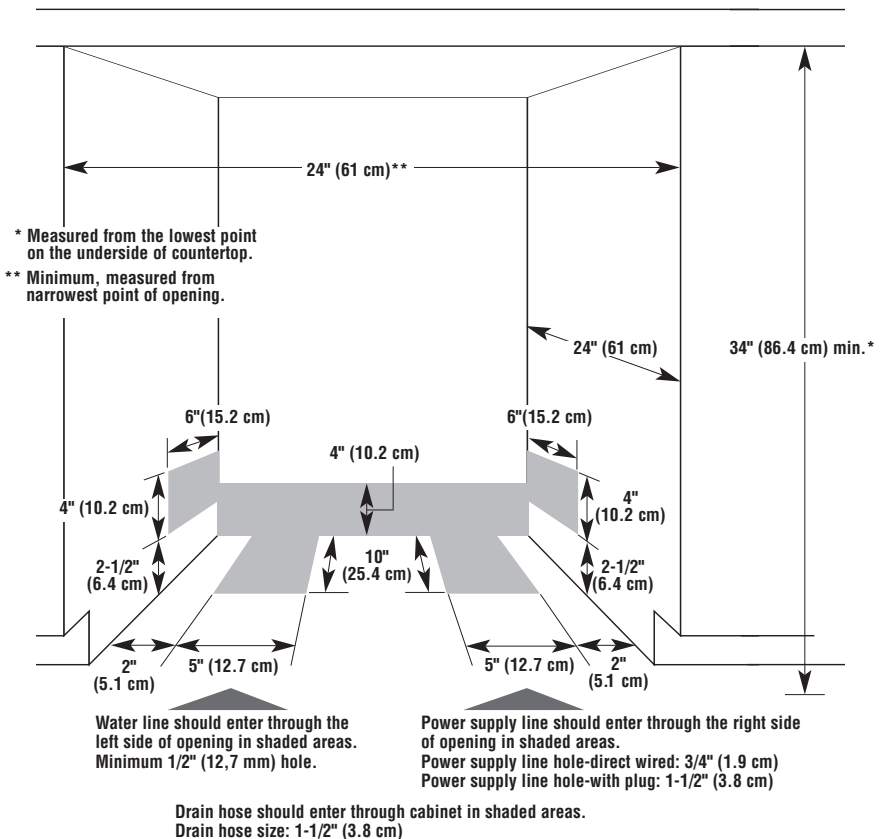
Accepts custom door and access panels:

RUD5000K, RUD5750K

## OVERALL DIMENSIONS



## CABINET OPENING DIMENSIONS



## CUSTOM FRONT PANEL DIMENSIONS

