

Frigidaire

Factory Parts Catalog

Product No.	FAA064N7A1	FAA064N7A2
Series	MS II	MS II
Volts	115	115
BTU-Cooling	6000	6000
Owner's Guide	2202039823	2202039823
Market	North America	North America

 **Electrolux**

ELECTROLUX HOME PRODUCTS, INC.
P.O. Box 212378, Augusta, GA 30917

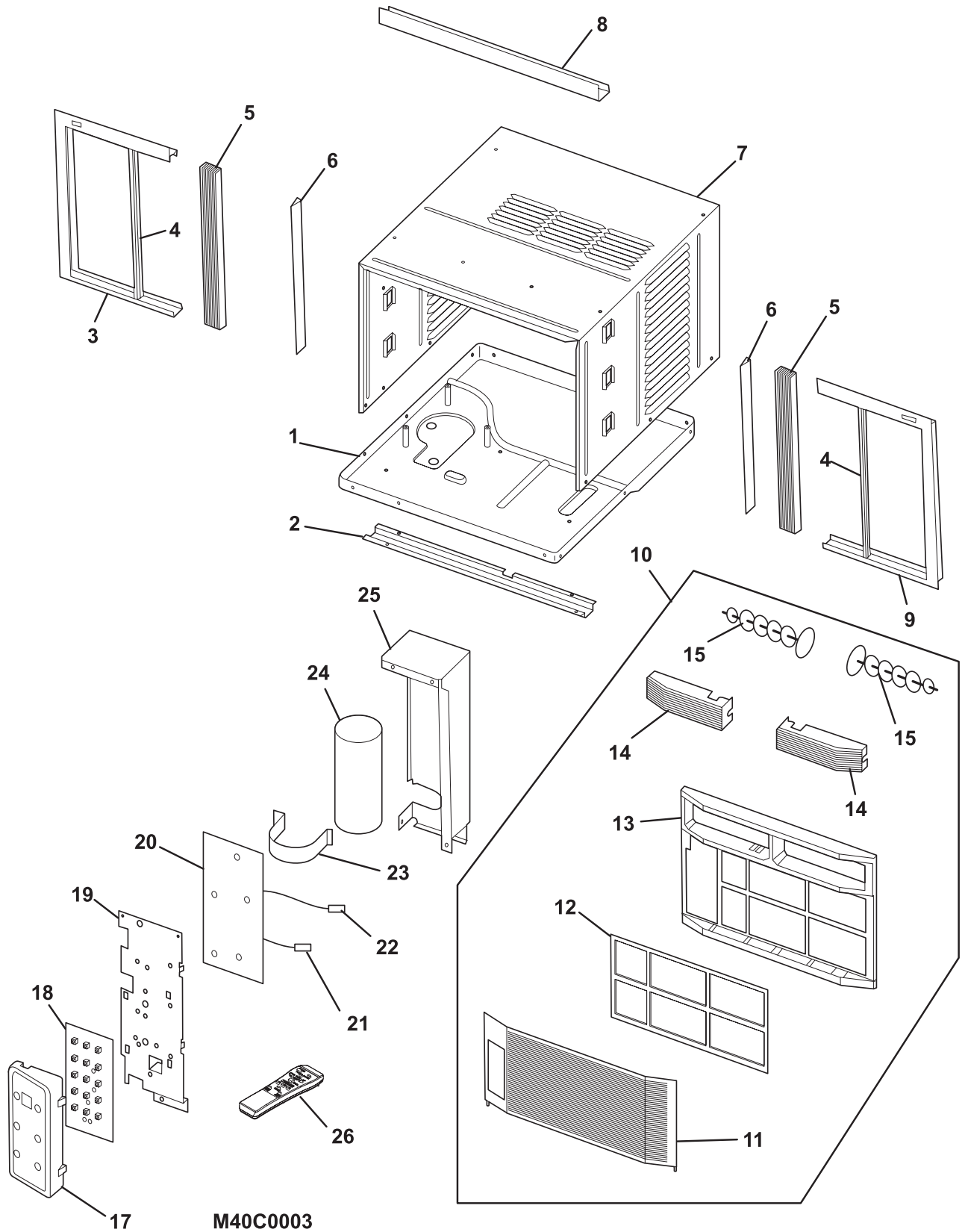
Publication No.
5995405585
04/03/29
(EN/SERVICE/KC)
099

**ROOM AIR
CONDITIONER**

Model No.
FAA064N7A

Copyright © 2004 Electrolux Home Products, Inc.
All rights reserved.

CABINET, FRONT, CONTROLS

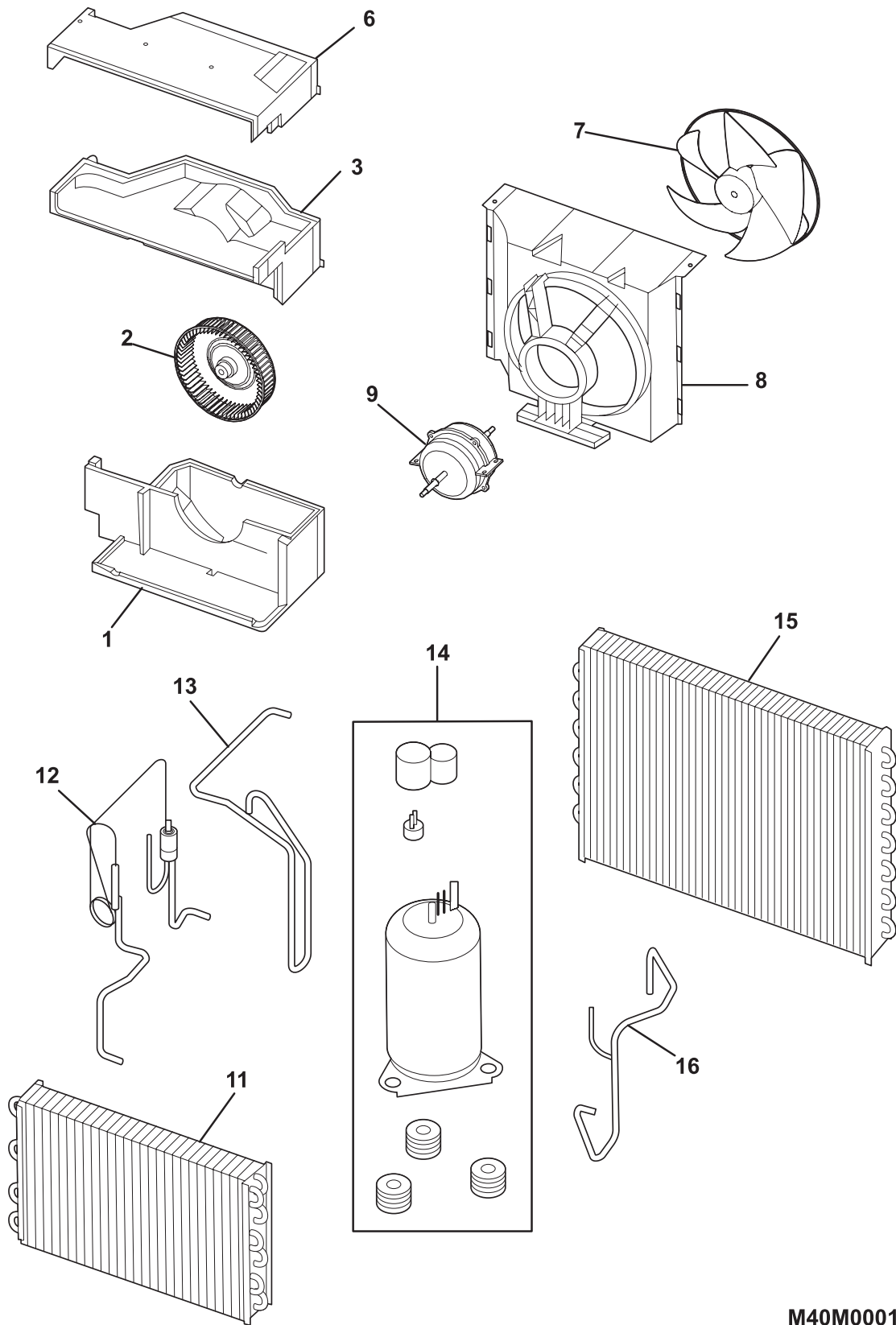


CABINET, FRONT, CONTROLS

Model Index: A FAA064N7A (FAA064N7A1)
 B FAA064N7A (FAA064N7A2)

POS. NO	PART NO.		DESCRIPTION
1	5304437072	A -	Base, unit chassis
1	5304437067	- B	Base, unit chassis
2	5304437068	A B	Rail, shutter track, bottom
3	5304437055	A B	Frame, shutter panel, LH
4	5304437052	A B	Retainer, shutter lock
5	5304437053	A B	Shutter, accordian panel
6	5304437057	A B	Retainer, shutter mount, cabinet sides
7	5304437071	A B	Cabinet, wrapper/sleeve
8	5304437069	A B	Rail, shutter track, top
9	5304437054	A B	Frame, shutter panel, RH
10	5304437065	A B	Front Assembly, complete panel, includes
11	5304437059	A B	Panel, front grille, tilt-out
12	5304437062	A B	Filter, air, plastic frame
13	5304437058	A B	Frame, front assembly
14	5304437061	A B	Louver, horizontal
15	5304437060	A B	Louver, vertical
17	5304436536	A B	Enclosure, control, pcb display
17	5304436537	A B	Control Panel, display, electronic
18 #	5304437075	A B	PC Board, display/input
19	5304437066	A B	Panel, ctrl mtg board
20 #	5304436531	A B	PC Board, control/power
21 #	5304436543	A B	Sensor, ambient temp
22 #	5304436542	A B	Sensor, evap temp, defrost
23	5304436530	A B	Strap, capacitor mtg.
24 #	5304437111	A -	Capacitor
24 #	5304437110	- B	Capacitor
25	5304437070	A B	Control Box
26 #	5304436595	A B	Remote Control, transmitter

COOLING & AIR FLOW SYSTEMS



M40M0001

COOLING & AIR FLOW SYSTEMS

Model Index: A FAA064N7A (FAA064N7A1)
 B FAA064N7A (FAA064N7A2)

POS. NO	PART NO.		DESCRIPTION
1	5304437105	A B	Scroll, blower housing, bottom, w/drain tray
2 #	5304437891	A B	Blower Wheel, centrifugal fan
3	5304437104	A B	Scroll, blower housing, top
6	5304437103	A B	Cover, blower scroll, top
7 #	5304437049	A B	Fan Blade, propeller, axial flow
8 #	5304437056	A B	Shroud, fan housing
9 #	5304437108	A B	Motor, fan
11 #	5304437091	A B	Evaporator
12 #	5304437097	A B	Capillary Tube, assy w/strainer
13 #	5304437099	A -	Discharge Tube
13 #	5304437096	- B	Discharge Tube
14 #	5304437079	A -	Compressor Assy, <u>Note:</u> includes overload, wiring cover, and mounting grommets
14 #	5304437084	- B	Compressor Assy, <u>Note:</u> includes overload, wiring cover, and mounting grommets
15 #	5304437089	A B	Condenser
16 #	5304437098	A -	Suction Tube
16 #	5304437095	- B	Suction Tube

WIRING DIAGRAM

