



*Frigidaire*

Factory Parts Catalog

|                           |               |               |               |                 |
|---------------------------|---------------|---------------|---------------|-----------------|
| Product No.               | GLMV169DBA    | GLMV169DQA    | GLMV169DSA    | PLMV169DCA      |
| Market                    | North America | North America | North America | North America   |
| Color                     | black         | bisque        | white         | stainless steel |
| Volts                     | 120           | 120           | 120           | 120             |
| Watts                     | 1000          | 1000          | 1000          | 1000            |
| Wiring Diagram            | 5995414678    | 5995414678    | 5995414678    | 5995414678      |
| Owner's Guide             | 316137231     | 316137231     | 316137231     | 316137231       |
| Installation Instructions | 316137334     | 316137334     | 316137334     | 316137334       |

 **Electrolux**

ELECTROLUX HOME PRODUCTS, INC.  
P.O. Box 212378, Augusta, GA 30917

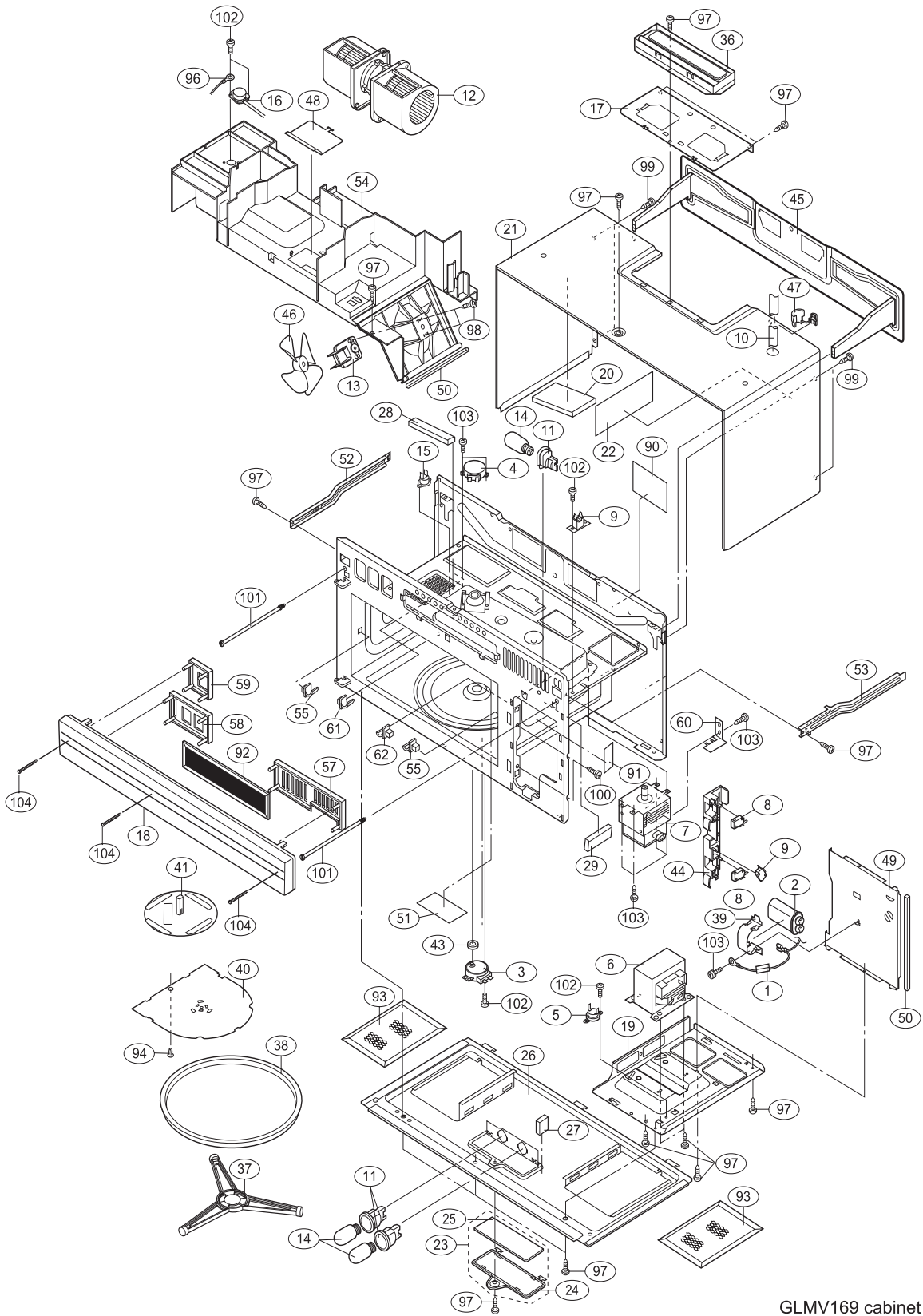
Publication No.  
**5995414678**  
04/08/19  
(EN/SERVICE/KC)  
099

**OVER-RANGE  
MICROWAVE**

Model No.  
GLMV169D  
PLMV169D

Copyright © 2004 Electrolux Home Products, Inc.  
All rights reserved.

### OVEN, CABINET



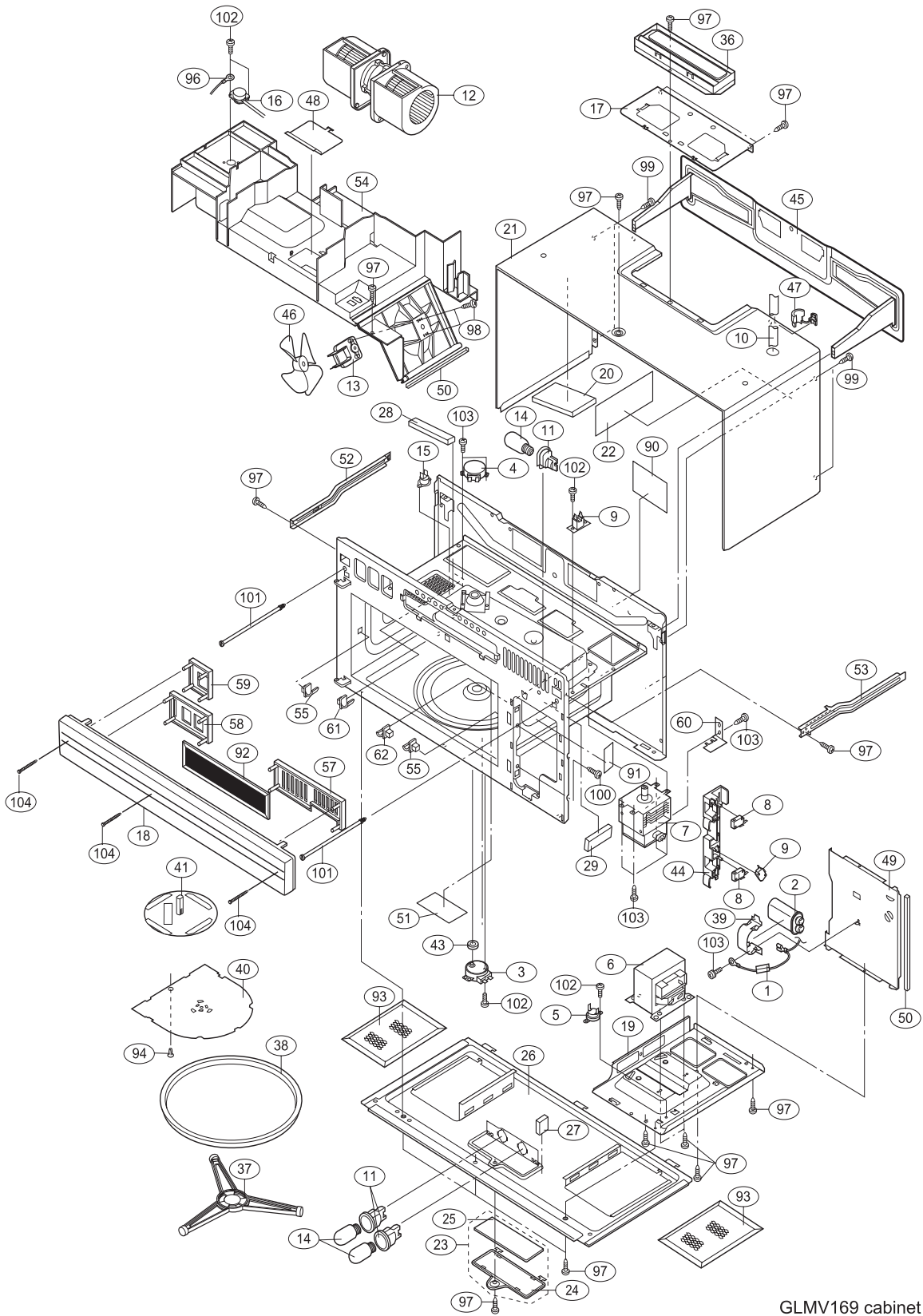
GLMV169 cabinet

**OVEN, CABINET**

*Model Index:* A GLMV169D (GLMV169DBA)  
 B GLMV169D (GLMV169DOA)  
 C GLMV169D (GLMV169DSA)  
 D PLMV169D (PLMV169DCA)

| POS. NO | PART NO.   |         | DESCRIPTION                                       |
|---------|------------|---------|---|
| 1 #     | 5304440019 | A B C D | Rectifier, high voltage                           |
| 2 #     | 5303319549 | A B C D | Capacitor, high voltage                           |
| 3 #     | 5304440021 | A B C D | Motor, turntable                                  |
| 4 #     | 5304440022 | A B C D | Motor, stirrer fan                                |
| 5 #     | 5304440023 | A B C D | Thermal Cutout, hood, N.O.60 deg C                |
| 6 #     | 5304440024 | A B C D | Transformer, power                                |
| 7 #     | 5304440025 | A B C D | Magnetron   |
| 8 #     | 5304440026 | A B C D | Relay/Switch Assy, sec. interlock, door sense sw. |
| 9 #     | 5304440027 | A B C D | Switch Kit, monitor, with CT fuse                 |
| 10 #    | 5304440028 | A B C D | Power Cord, electric                              |
| 11 #    | 5303319561 | A B C D | Receptacle, lamp socket, oven                     |
| 12 #    | 5304440029 | A B C D | Motor, hood fan                                   |
| 13 #    | 5304440030 | A B C D | Motor, cooling fan                                |
| 14      | 5304440031 | A B C D | Lamp, incandescent, 20 W, (3)                     |
| 15 #    | 5304440032 | A B C D | Thermal Cutout, oven cavity, N.C. 145 deg C       |
| 16 #    | 5304440033 | A B C D | Sensor, abs. humidity                             |
| 17      | 5304440232 | A B C D | Plate, rear stay                                  |
| 18      | 5304440233 | A - - - | Grille, exhaust, black                            |
| 18      | 5304440235 | - B - - | Grille, exhaust, bisque                           |
| 18      | 5304440234 | - - C - | Grille, exhaust, white                            |
| 18      | 5304442031 | - - - D | Grille, exhaust, stainless steel                  |
| 19      | 5304440236 | A B C D | Base, transformer mtg, right side                 |
| 20      | 5304440237 | A B C D | Cushion, cabinet                                  |
| 21      | 5304440238 | A - - D | Casing, wrapper, black, outer cabinet             |
| 21      | 5304440240 | - B - - | Casing, wrapper, bisque, outer cabinet            |
| 21      | 5304440239 | - - C - | Casing, wrapper, white, outer cabinet             |
| 22      | 5304440241 | A B C D | Wiring Diagram, schematic                         |
| 23      | 5304440242 | A B C D | Lens/Frame Assy, oven lamp                        |
| 24      | 5304440243 | A B C D | Frame, lens holder                                |
| 25      | 5303319575 | A B C D | Lens, cooktop lamp, glass                         |
| 26      | 5304440244 | A B C D | Cover, unit base                                  |
| 27      | 5304441368 | A B C D | Cushion, base cover pad                           |
| 28      | 5304441369 | A B C D | Cushion, cavity top pnl                           |
| 29      | 5304441370 | A B C D | Cushion, magnetron pad                            |
| 36      | 5304440283 | A B C D | Damper Assy, exhaust                              |
| 37      | 5304440284 | A B C D | Support Assy, turntable                           |
| 38      | 5304440285 | A B C D | Tray, turntable, glass                            |
| 39      | 5303319587 | A B C D | Retainer, capacitor strap                         |
| 40      | 5304440286 | A B C D | Cover, stirrer fan                                |
| 41 #    | 5304440287 | A B C D | Stirrer Assembly                                  |
| 43      | 5304440288 | A B C D | Bushing, motor shaft, turntable                   |
| 44      | 5304440289 | A B C D | Latch Hook  |
| 45      | 5304440290 | A B C D | Bracket, unit mtg plate, rear                     |
| 46 #    | 5304440291 | A B C D | Fan Blade, mag cooling fan                        |
| 47      | 5303319605 | A B C D | Bushing, power cord                               |
| 48      | 5304440292 | A B C D | Cover, oven lamp                                  |
| 49      | 5304440293 | A B C D | Duct, hood intake, right side                     |

### OVEN, CABINET



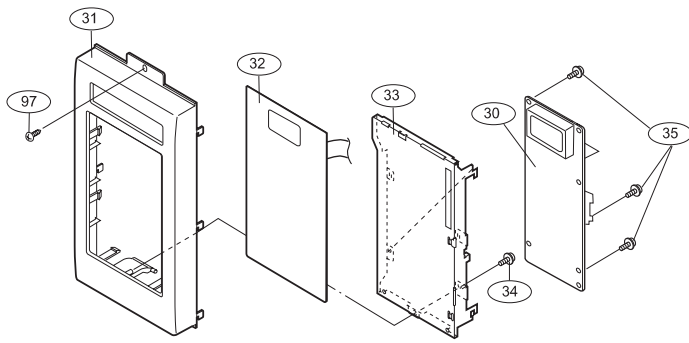
GLMV169 cabinet

**OVEN, CABINET**

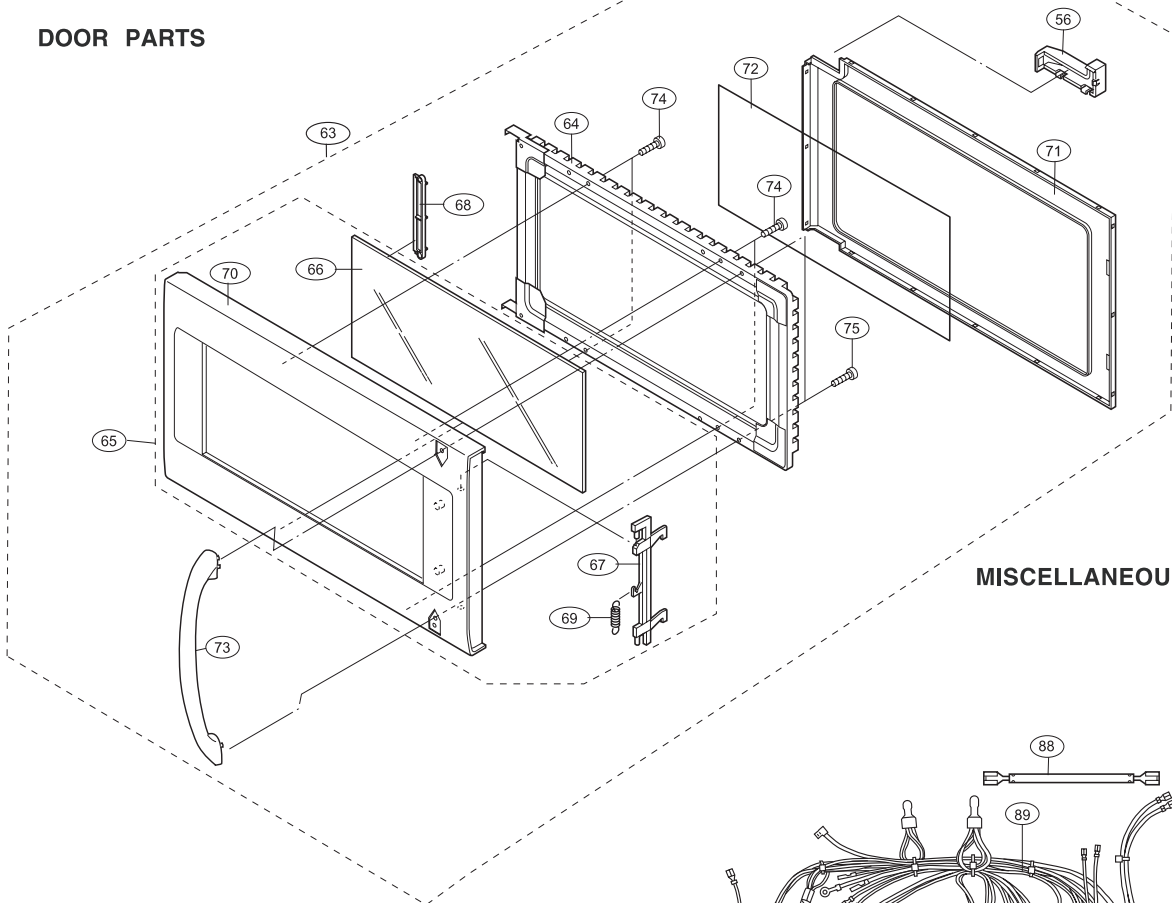
*Model Index:* A GLMV169D (GLMV169DBA)  
 B GLMV169D (GLMV169DOA)  
 C GLMV169D (GLMV169DSA)  
 D PLMV169D (PLMV169DCA)

| POS. NO | PART NO.   |         | DESCRIPTION                      |
|---------|------------|---------|----------------------------------|
| 50      | 5304440294 | A B C D | Cushion, intake duct             |
| 51      | 5304440295 | A B C D | Lens, lamp filter                |
| 52      | 5304440296 | A B C D | Support, chassis, left side      |
| 53      | 5304440297 | A B C D | Support, chassis, left side      |
| 54      | 5304440298 | A B C D | Duct, exhaust hood               |
| 55      | 5304440299 | A B C D | Support, rack, front             |
| 57      | 5304440301 | A B C D | Cover A, grille louver           |
| 58      | 5304440302 | A B C D | Cover B, grille louver           |
| 59      | 5304440303 | A B C D | Cover C, grille louver           |
| 60      | 5304440304 | A B C D | Bracket, air guide, magnetron    |
| 61      | 5304441371 | A B C D | Support, rack, left rear         |
| 62      | 5304441372 | A B C D | Support, rack, right rear        |
| 90      | 5304440333 | A B C D | Label, Caution-DHHS              |
| 91      | 5304440334 | A B C D | Label, Caution-monitor           |
| 92      | 5304440335 | A B C D | Filter, inside exhaust, charcoal |
| 93      | 5304440336 | A B C D | Filter, grease                   |
| 94      | 5304440337 | A B C D | Clip, canoe type, stirrer cover  |
| 96 #    | 5304440339 | A B C D | Wire, sensor ground              |
| 97      | 5304440340 | A B C D | Screw, 4mm x 12mm                |
| 98      | 5303319637 | A B C D | Screw, 4mm x 8mm                 |
| 99      | 5303319639 | A B C D | Screw, wrapper, back             |
| 100     | 5303319641 | A B C D | Screw                            |
| 101     | 5304440341 | A B C D | Screw, unit mounting             |
| 102     | 5303319633 | A B C D | Screw, 3mm x 8mm                 |
| 103     | 5303319636 | A B C D | Screw                            |
| 104     | 5304441378 | A - - D | Screw, grille mtg, (2)           |
| 104     | 5304441377 | - B C - | Screw, grille mtg, (2)           |

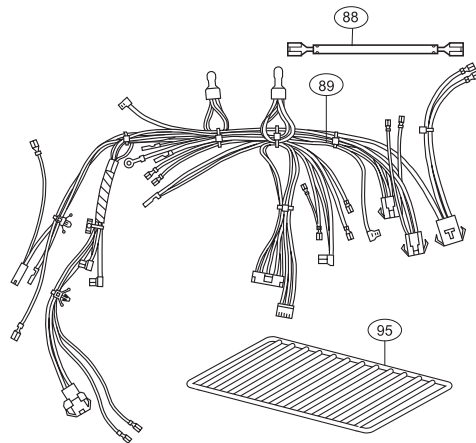
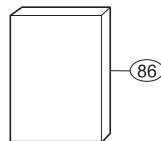
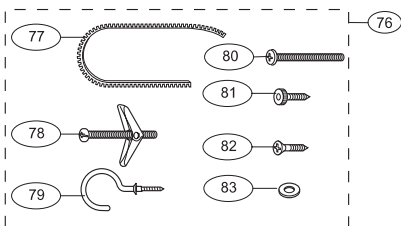
**CONTROL PANEL, DOOR, MISC.**



**DOOR PARTS**



**MISCELLANEOUS**



GLMV169 controls

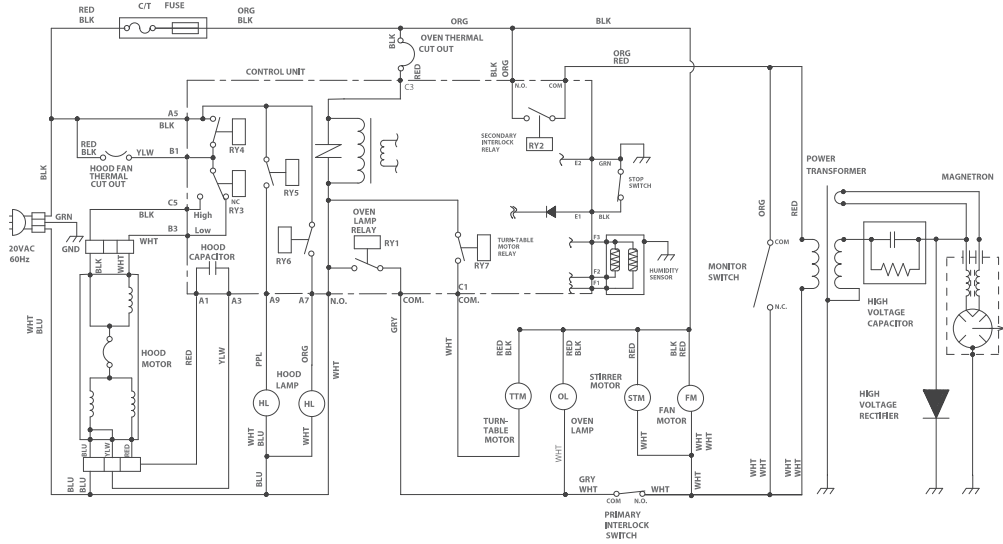
**CONTROL PANEL, DOOR, MISC.**

*Model Index:* A GLMV169D (GLMV169DBA)  
 B GLMV169D (GLMV169DOA)  
 C GLMV169D (GLMV169DSA)  
 D PLMV169D (PLMV169DCA)

| POS. NO | PART NO.   |         | DESCRIPTION  |
|---------|------------|---------|--|
| 30 #    | 5304440245 | A B C D | Control Board, printed circuit                             |
| 31      | 5304440246 | A - - - | Frame, control panel, black                                |
| 31      | 5304440247 | - B - - | Frame, control panel, bisque                               |
| 31      | 5304440248 | - - C - | Frame, control panel, white                                |
| 31      | 5304442032 | - - - D | Frame, control panel, stainless steel                      |
| 32 #    | 5304440278 | A - - D | Switch, touch pad, membrane, black                         |
| 32 #    | 5304440279 | - B - - | Switch, touch pad, membrane, bisque                        |
| 32 #    | 5304440280 | - - C - | Switch, touch pad, membrane, white                         |
| 33      | 5304440281 | A B C D | Panel, control mount                                       |
| 34      | 5303319584 | A B C D | Screw, control panel, 3mm x 10mm                           |
| 35      | 5304440282 | A B C D | Screw, control board, 3mm x 10mm                           |
| 56      | 5304440300 | A B C D | Door Stop  |
| 63      | 5304441374 | A - - - | Door Assy, complete, black, with handle                    |
| 63      | 5304441376 | - B - - | Door Assy, complete, bisque, with handle                   |
| 63      | 5304441375 | - - C - | Door Assy, complete, white, with handle                    |
| 63      | 5304441373 | - - - D | Door Assy, complete, stainless steel, with handle          |
| 64      | 5304440305 | A - - D | Panel, inner door, black                                   |
| 64      | 5304440307 | - B - - | Panel, inner door, bisque                                  |
| 64      | 5304440306 | - - C - | Panel, inner door, white                                   |
| 65      | 5304440308 | A - - - | Panel Assy, outer door, black, w/glass & latch             |
| 65      | 5304440310 | - B - - | Panel Assy, outer door, bisque, w/glass & latch            |
| 65      | 5304440309 | - - C - | Panel Assy, outer door, white, w/glass & latch             |
| 65      |            | - - - D | STAINLESS PANEL NOT REPLACEABLE-ORDER STAINLESS DOOR ASSY. |
| 66      | 5304440311 | A - - D | Panel, glass, door front                                   |
| 66      | 5304440313 | - B - - | Panel, glass, door front                                   |
| 66      | 5304440312 | - - C - | Panel, glass, door front                                   |
| 67      | 5304440314 | A B C D | Latch, door  |
| 68      | 5304440315 | A B C D | Clip, glass retainer, door                                 |
| 69      | 5304440316 | A B C D | Spring, door latch   |
| 70      | 5304440317 | A - - - | Frame, outer door, black                                   |
| 70      | 5304440319 | - B - - | Frame, outer door, bisque                                  |
| 70      | 5304440318 | - - C - | Frame, outer door, white                                   |
| 70      |            | - - - D | STAINLESS PANEL NOT REPLACEABLE-ORDER STAINLESS DOOR ASSY. |
| 71      | 5304440320 | A B C D | Frame, choke cover, inner door                             |
| 72      | 5304440321 | A B C D | Seal, door, film   |
| 73      | 5304440323 | A - - - | Handle, door, black  |
| 73      | 5304440325 | - B - - | Handle, door, bisque                                       |
| 73      | 5304440324 | - - C - | Handle, door, white  |
| 73      | 5304440322 | - - - D | Handle, door, stainless steel                              |
| 74      | 5303319634 | A B C D | Screw, 4mm x 8mm   |
| 75      | 5304440326 | A B C D | Screw, 4mm x 12mm  |
| 76      | 5303319625 | A B C D | Hardware, installation, kit                                |
| 77      | 5303318761 | A B C D | Sleeve, power cord, grommet                                |
| 78      | 5303318762 | A B C D | Screw, toggle  |
| 79      | 5303322979 | A B C D | Hook, screw-in, cord holder                                |
| 80      | 5303318764 | A B C D | Screw, 5mm x 60mm  |
| 81      | 5303318767 | A B C D | Screw, 4mm x 12mm  |
| 82      | 5303318765 | A B C D | Screw, wood, 5mm x 35 mm, (6)                              |
| 83      | 5303318766 | A B C D | Washer, flat, 30mm, (2)                                    |
| 86      | 5304440329 | A B C D | Template, installation, top                                |
| 86      | 5304440330 | A B C D | Template, installation, wall                               |
| 88 #    | 5304440331 | A B C D | Wire, high voltage-A                                       |
| 89 #    | 5304440332 | A B C D | Wiring Harness, main-A                                     |
| 95      | 5304440338 | A B C D | Rack, microwave oven, wire                                 |
| 97      | 5304440340 | A B C D | Screw, 4mm x 12mm  |

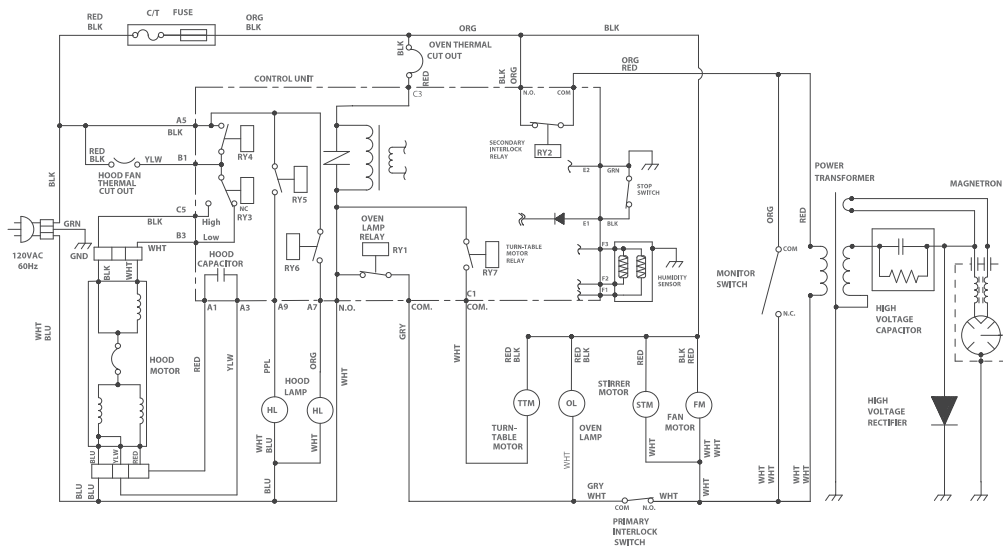
**WIRING SCHEMATIC**

**SCHEMATIC**  
 NOTE: CONDITION OF OVEN  
 1. DOOR CLOSED  
 2. CLOCK APPEARS ON DISPLAY



Oven Schematic-Off Condition

**SCHEMATIC**  
 NOTE: CONDITION OF OVEN  
 1. DOOR CLOSED  
 2. COOKING TIME PROGRAMMED  
 3. VARIABLE COOKING CONTROL "HIGH"  
 4. "START" PAD TOUCHED



GLMV169 wiring schematic

Oven Schematic-Cooking Condition