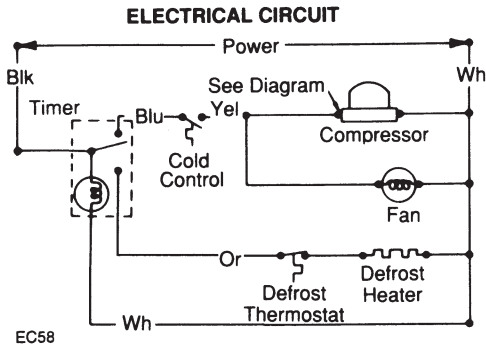


## IMPORTANT SAFETY NOTICE

The information provided herein is designed to assist qualified repair personnel only. Untrained persons should not attempt to make repairs due to the possibility of electrical shock. Disconnect power cord before servicing.



### IMPORTANT

If any green grounding wires are removed during servicing, they must be returned to their original position and properly secured.

### WIRING DIAGRAM

