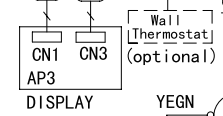
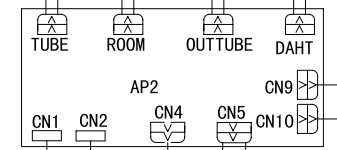
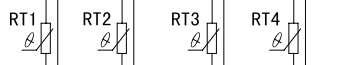
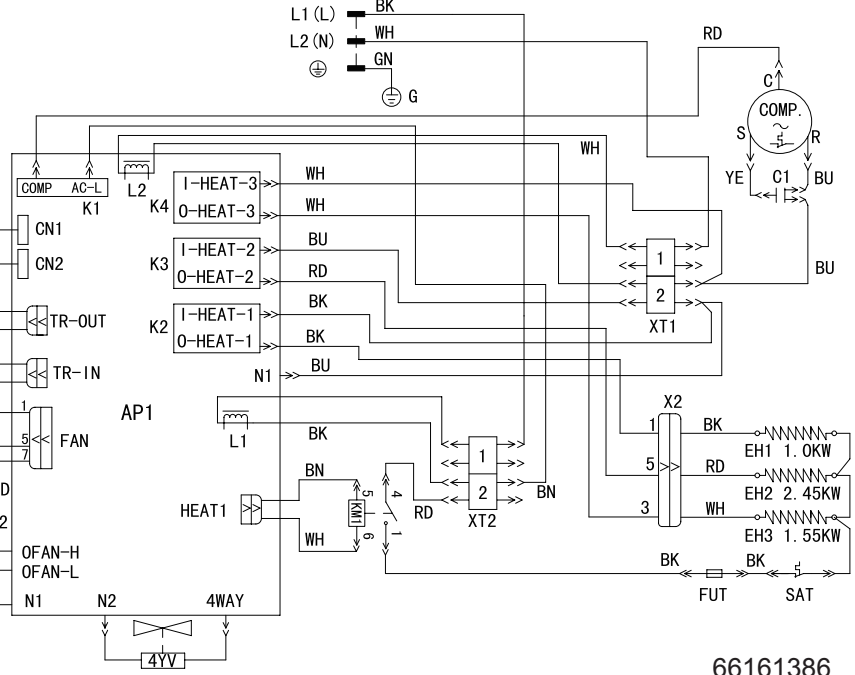
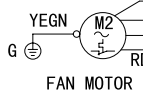
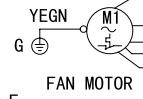


TUBE TEMP. SENSOR
ROOM TEMP. SENSOR
OUTTUBE TEMP. SENSOR
DAHT SENSOR



C2: 1uF OR 1.5uF
C3: 1.5uF OR 2uF OR 2.5uF



66161386