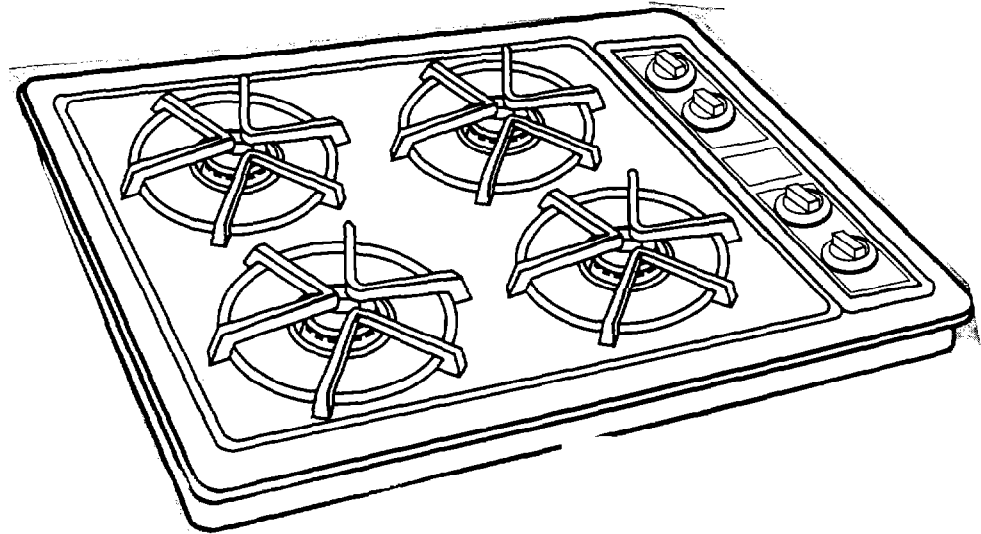


Installation Instructions



Part No. 36-314415-02-0/4363391

IMPORTANT:
Read and save
these instructions.

30" **Gas** Cooktop

IMPORTANT:

Installer: Leave Installation Instructions with the homeowner.

Homeowner: Keep Installation Instructions for future reference.

Save Installation Instructions for local electrical inspector's use.

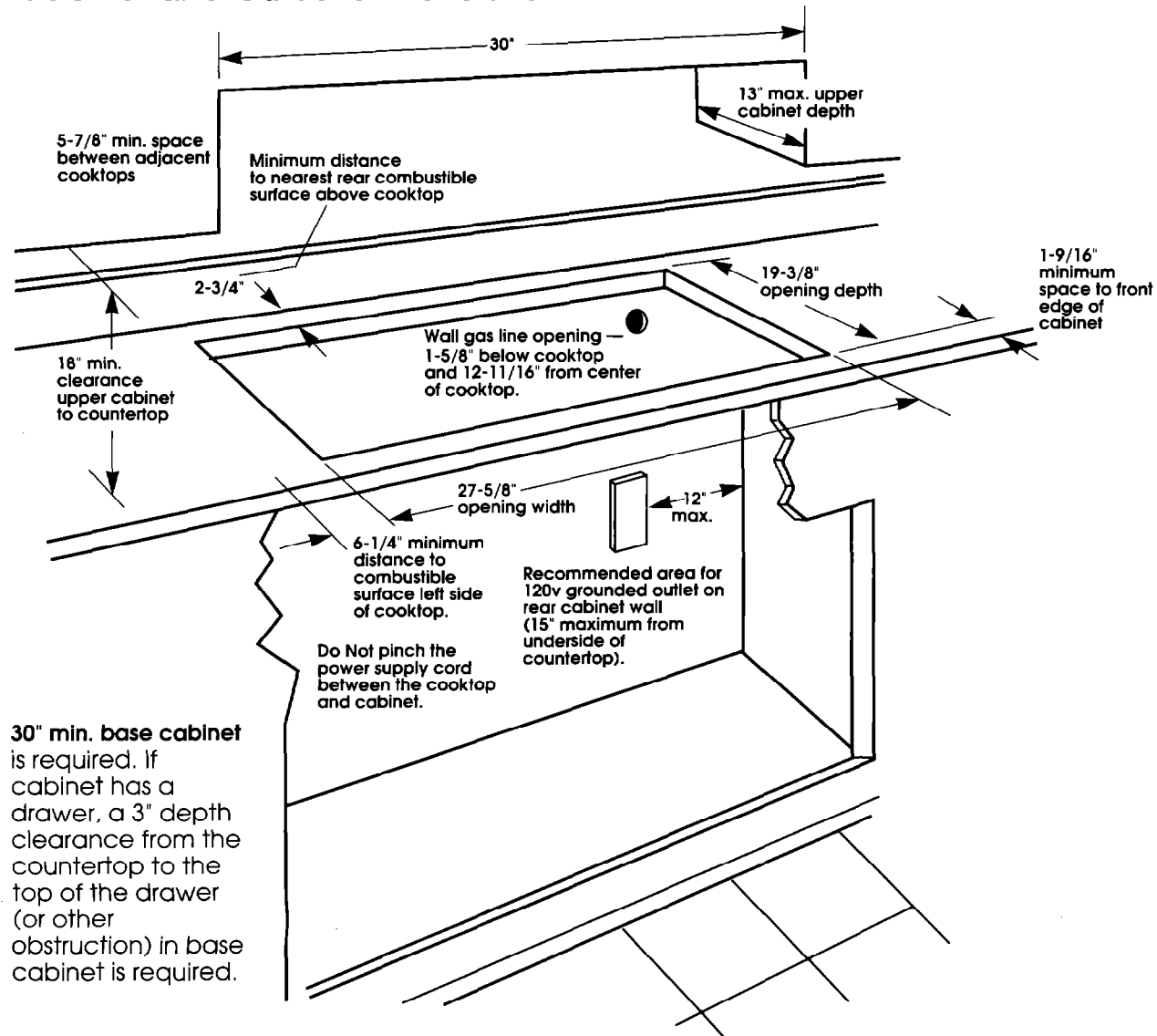
5-97

Before you start...

Proper installation is your responsibility. Make sure you have everything necessary for correct installation. It is the responsibility of the installer to comply with the installation clearances specified on the serial/rating plate. The serial/rating plate can be found under the cooktop.

Check location where cooktop will be installed. The location should be away from strong draft areas, such as windows, doors and strong heating vents or fans. The cooktop should be located for convenient use in the kitchen.

Cabinet and Cutout Dimensions



ALL OPENINGS IN THE WALL OR FLOOR WHERE THE COOKTOP IS TO BE INSTALLED MUST BE SEALED.

Grounded electrical outlet is required. See "Electrical requirements."

Proper gas supply connection must be available. See "Gas supply requirements."

Countertop opening dimensions that are shown must be used. Given dimensions provide required 0" clearance.

Important: Observe all governing codes and ordinances.

Failure to meet codes and ordinances could lead to fire or electric shock.

WARNING: If the information in this manual is not followed exactly, a fire or explosion may result causing property damage, personal injury or death.

- Do Not store or use gasoline or other flammable vapors and liquids in the vicinity of this or any other appliance.
- **WHAT TO DO IF YOU SMELL GAS**
 - Do Not try to light any appliance.
 - Do Not touch any electrical switch; Do Not use any phone in your building.
 - Immediately call your gas supplier from a neighbor's phone. Follow the gas supplier's instructions.
 - If you cannot reach your gas supplier, call the fire department.
- Installation and service must be performed by a qualified installer, service agency or the gas supplier.

WARNING

Fire Hazard

Do Not obstruct the flow of combustion and ventilation air.

Personal Injury Hazard

To eliminate the risk of burns or fire, avoid installing cabinet storage above the cooking surface. If cabinets are already installed, reduce the hazard of reaching over a heated cooking surface by installing a range hood. The range hood should extend a minimum of 5 inches out from the bottom front of the cabinets. Reaching over a heated cooking surface could result in a serious burn or other personal injury.

Electrical Shock Hazard

It is the customer's responsibility:

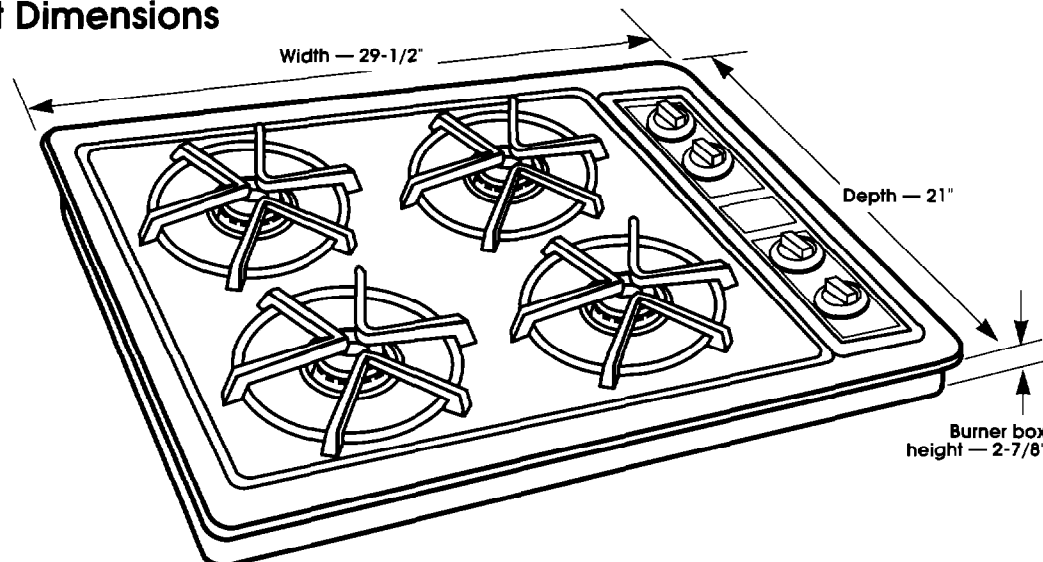
- To contact a qualified electrical installer.
- To assure that electrical installation is adequate and in conformance with National Electrical Code ANSI/NFPA 70 — latest edition* and all local codes and ordinances.

Failure to do so could result in fire, electrical shock or other personal injury.

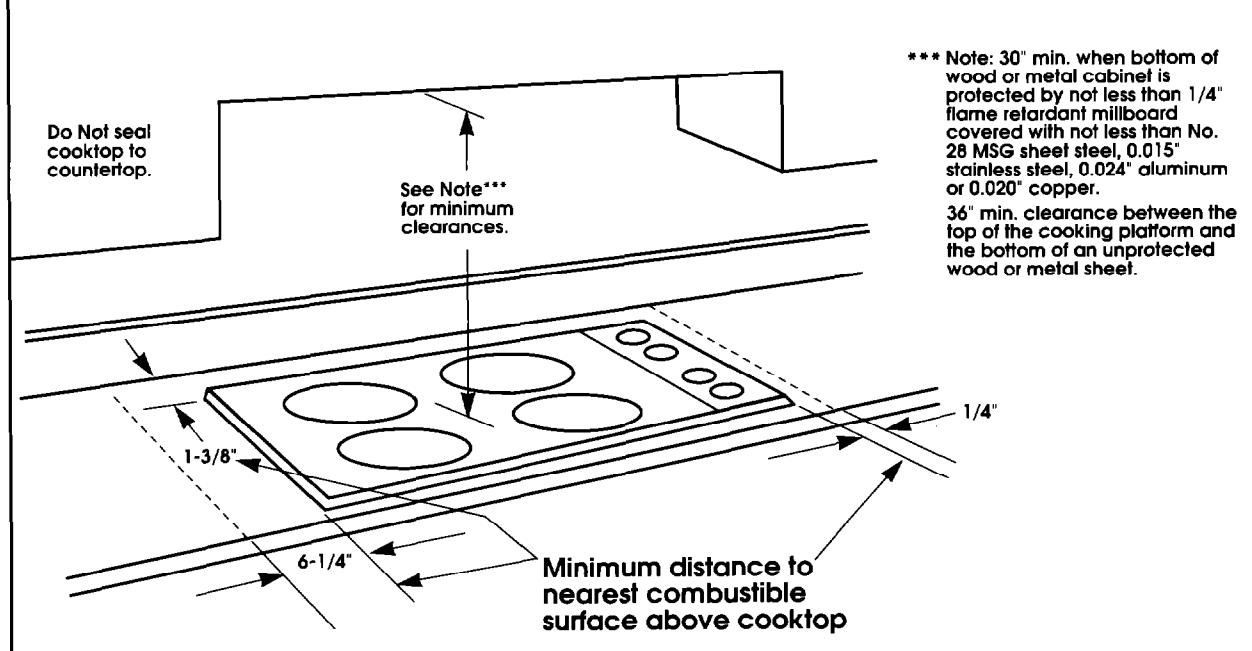
Take special care when drilling holes into the wall for electrical wiring. Electrical wires may be concealed behind the wall covering.

Failure to do so could result in fire, electrical shock or other personal injury.

Product Dimensions



Clearance Dimensions



Mobile home installation

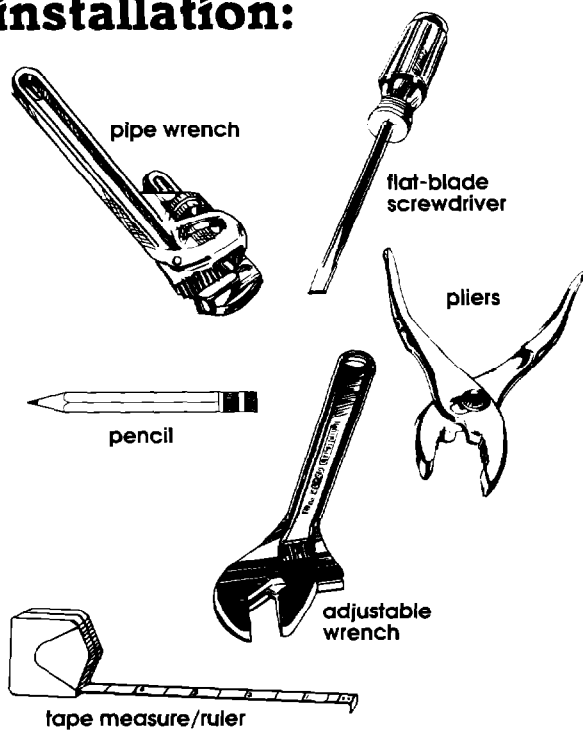
The installation of this cooktop must conform to the Manufactured Home Construction and Safety Standards, Title 24 CFR, Part 3280 (formerly the Federal Standard for Mobile Home Construction and Safety, Title 24, HUD Part 280); or when such standard is not applicable, the Standard for Manufactured Home Installations 1982 (Manufactured Home Sites, Communities and Setups), ANSI A225.1/NFPA 501A — 1987, or latest edition, or with local codes.

Copies of the standards listed may be obtained from:

*National Fire Protection Association
Batterymarch Park
Quincy, Massachusetts 02269

**American Gas Association
1515 Wilson Boulevard
Arlington, Virginia 22209

Tools needed for installation:



Gas supply requirements

Observe all governing codes and ordinances.

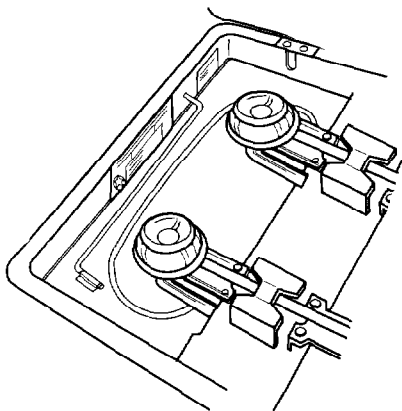
! WARNING

Fire Hazard

- Cooktop must be connected to a regulated gas supply.
- L.P. gas supply must Not exceed a pressure of 14" water column. This must be checked by a qualified technician before installing the range.
- Do Not use an open flame to test for leaks from gas connections.
- New, A.G.A. design-certified, flexible gas line should be used when codes permit.

Failure to follow these instructions could result in a fire, explosion or personal injury.

A. This installation must conform with local codes and ordinances. In the absence of local codes, installations must conform with American National Standard, National Fuel Gas Code ANSI Z223.1 — latest edition.**



B. Input ratings shown on the serial/rating plate are for elevations up to 2,000 feet. For elevations above 2,000 feet, ratings are reduced at a rate of 4% for each 1,000 feet above sea level.

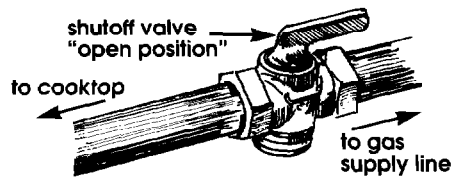
C. This cooktop is equipped for use with NATURAL gas. It is certified by A.G.A. for NATURAL and L.P. gases with appropriate conversion. The serial/rating plate located under the cooktop has information on the type of gas that can be used. If this information does not agree with the type of gas available, check with the local gas supplier. See Panel E for L.P. gas conversion instructions.

D. Provide a gas supply line of 3/4" rigid pipe to the cooktop location. A smaller size pipe on long runs may result in insufficient gas supply. Pipe-joint compounds, made for use with NATURAL and L.P. gas, must be used.

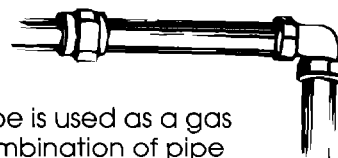
Panel B



E. If local codes and ordinances permit, A.G.A. design-certified, flexible metal tubing is recommended for connecting this cooktop to the gas supply line. Do Not kink or damage the flexible tubing when moving the cooktop. A 1/2" male pipe thread is needed for connection to pressure regulator female pipe threads.



F. The supply line shall be equipped with an approved shutoff valve. This valve should be located in the same room as the cooktop and should be in a location that allows ease of opening and closing. Do Not block access to shutoff valve. The valve is for turning on or shutting off gas to the appliance.



G. If rigid pipe is used as a gas supply line, a combination of pipe fittings must be used to obtain an in-line connection to the cooktop. All strains must be removed from the supply and fuel lines so cooktop will be level and in line.

H. The regulator must be checked at a minimum 1-inch water column above the set pressure. The inlet pressure to the regulator should be as follows for both operation and checking the regulator setting:

NATURAL GAS:
Minimum pressure 5 inches W.C.
Maximum pressure 14 inches W.C.

L.P. GAS:
Minimum pressure 11 inches W.C.
Maximum pressure 14 inches W.C.

Line pressure testing:

Testing above 1/2 psi (gauge)

The cooktop and its individual shutoff valve must be disconnected from the gas supply piping system during any pressure testing of that system at test pressures greater than 1/2 psig (3.5kPa).

Testing at 1/2 psi (gauge)

The cooktop must be isolated from the gas supply piping system by closing its individual manual shutoff valve during any pressure testing of the gas supply piping system at test pressures equal to or less than 1/2 psig (3.5kPa).

Electrical requirements

! WARNING

Electrical Shock Hazard

- Electrical ground is required on this appliance.
- Do Not ground to a gas pipe.
- Do Not modify the power supply cord plug. If plug will not fit the outlet, have a proper outlet installed by a qualified electrician.
- Do Not have a fuse in the neutral or grounding circuit. A fuse in the neutral or grounding circuit could result in an electrical shock.
- Do Not use an extension cord with this appliance.
- Check with a qualified electrician if you are in doubt as to whether the appliance is properly grounded.

Failure to follow these instructions could result in serious injury or death.

If codes permit and a separate grounding wire is used, it is recommended that a qualified electrician determine that the grounding path is adequate.

A 120-volt, 60-Hz, AC-only, 15-ampere, fused electrical supply is required. A time-delay fuse or circuit breaker is recommended. It is recommended that a separate circuit serving only this appliance be provided.

Electronic ignition systems operate within wide voltage limits, but proper grounding and polarity are necessary. In addition to checking that the outlet provides 120-volt power and is correctly grounded, the outlet must be checked by a qualified electrician to see if it is wired with correct polarity.

A wiring diagram is included in the literature package. The wiring diagram is also located on the underside of the cooktop.

Recommended grounding method

For your personal safety, this appliance must be grounded. This appliance is equipped with a 3-prong grounding plug. To minimize possible shock hazard, the cord must be plugged into a mating 3-prong grounding-type wall receptacle, grounded in accordance with the National Electrical Code ANSI/NFPA 70 — latest edition* and local codes and ordinances. See Figure 1. If a mating wall receptacle is not available, it is the personal responsibility and obligation of the customer to have a properly grounded, 3-prong wall receptacle installed by a qualified electrician.

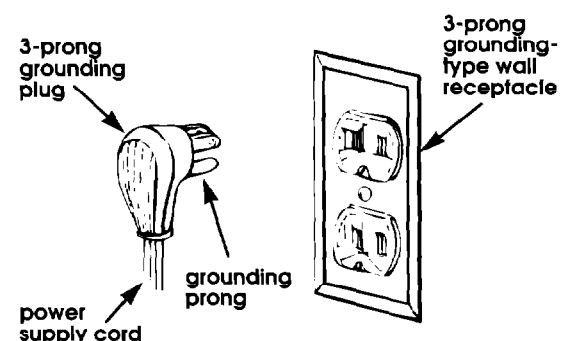
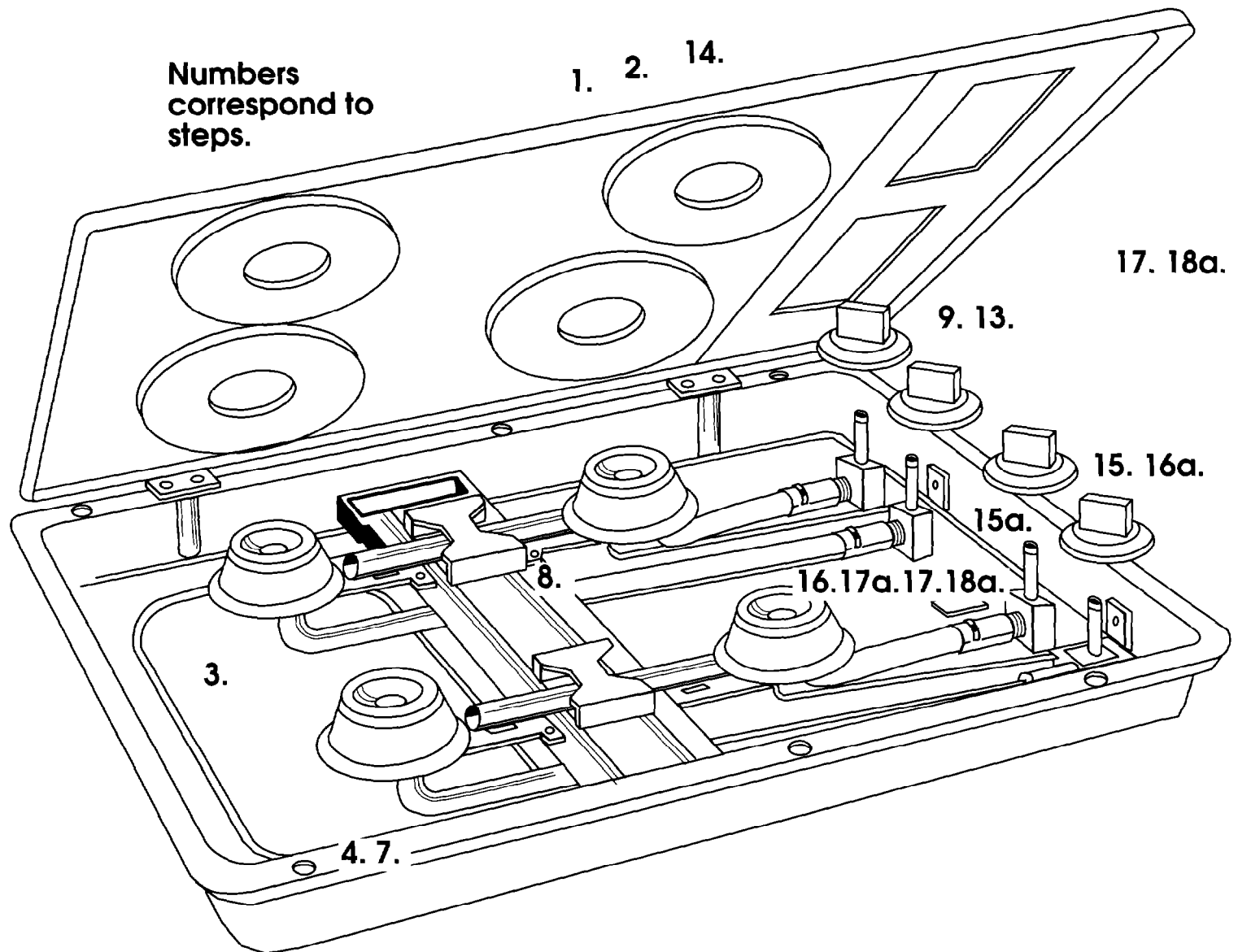


Figure 1

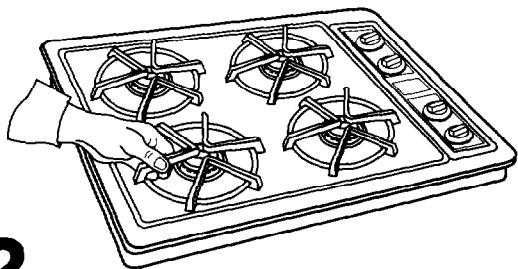


Numbers correspond to steps.

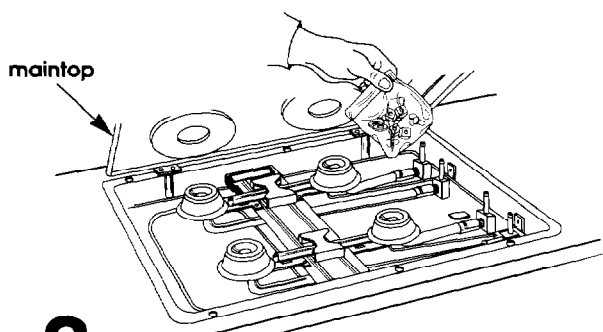
Now start...

With cooktop in kitchen.

- 1.** Remove shipping materials, tape and protective film from cooktop.



- 2.** Remove burner grates from maintop. Raise maintop from burner box and support securely.



- 3.** Remove plastic parts bag from inside cooktop. Remove parts from bag and line up next to your tools.

CAUTION

Property Damage
Lift entire cooktop up from cutout when repositioning cooktop in countertop opening.
Failure to do so could scratch countertop.

- 4.** Insert cooktop into the countertop opening. Center cooktop in cutout. Check that the front of the cooktop is parallel to the front edge of the countertop. Check that all required clearances are met. Lift up maintop and mark location of mounting holes on countertop. Remove cooktop from cutout.

Panel C

WARNING

Personal Injury Hazard
Wear protective eyeglasses when using drill.
Failure to wear eyeglasses may result in eye injury.

CAUTION

Property Damage
Use special care when drilling through ceramic materials.
Ceramic materials may crack or shatter during drilling.

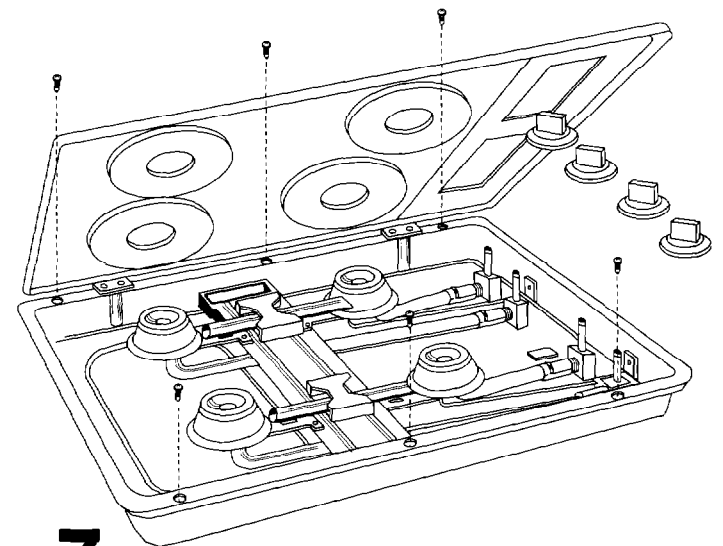
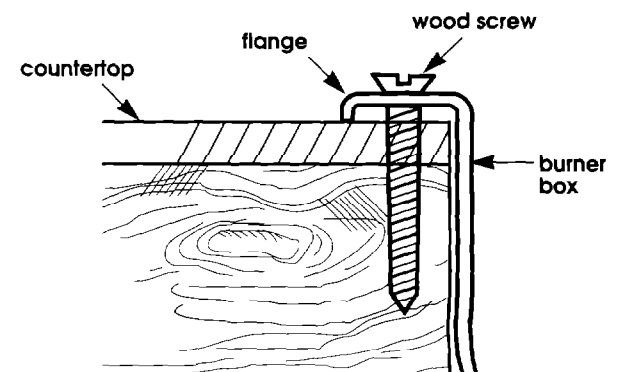
Countertop Type:	Drill Bit Size:
Wood	3/32" diameter or No. 42
Formica/steel on plywood	13/64" diameter or No. 6
Steel only	.1405" diameter or No. 8-32 x 1/2" No. 1 slotted oval head thread cutting screws will be required (not supplied).

- 5.** Drill holes using drill bit that corresponds with your countertop type.

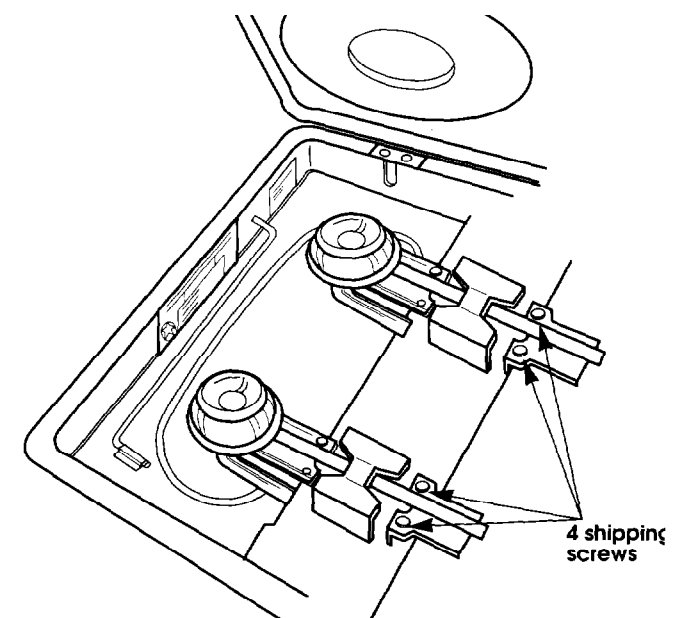
- 6.** Insert cooktop into cutout and align mounting holes with the starter holes. Check that the front edge of cooktop is parallel to front edge of countertop.

CAUTION

Product Damage
Do Not overtighten screws.
Overtightening screws could damage cooktop surface.



- 7.** Lift maintop up to at least a 90° angle and support securely. Insert six screws from parts bag in mounting holes to fasten the burner box flange to the countertop. **Do Not overtighten the screws.**

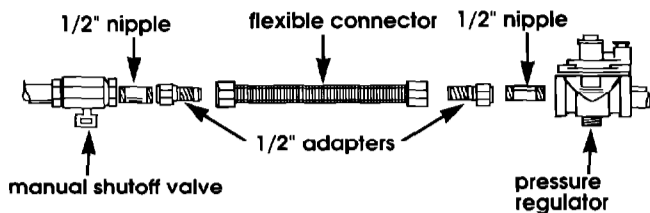


- 8.** Remove the four shipping screws from the burners.

⚠ WARNING

Fire Hazard

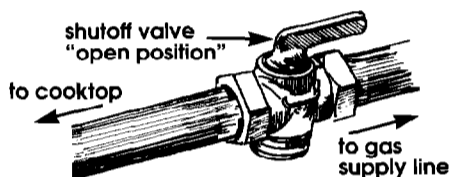
Do Not make connection too tight. The regulator is die cast. Overtightening may crack regulator resulting in a gas leak and possible fire or explosion.



All connections must be wrench-tightened.

9. Assemble the flexible connector from the gas supply pipe to the pressure regulator in order: manual shutoff valve, 1/2" nipple, 1/2" adapter, flexible connector, 1/2" adapter, and 1/2" nipple.

10. Use pipe-joint compound made for use with NATURAL and L.P. gas to seal all gas connections. If flexible connectors are used, be certain connectors are not kinked.



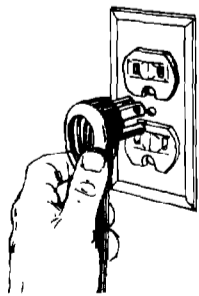
11. Open the shutoff valve in the gas supply line. Wait a few minutes for gas to move through the gas line.

⚠ WARNING

Fire Hazard

Do Not use an open flame to test for leaks from gas connections. Checking for leaks with a flame may result in a fire or explosion.

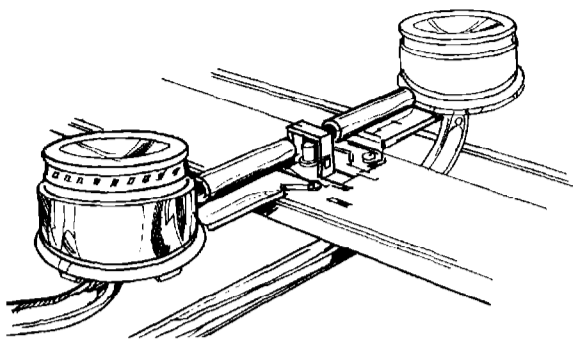
12. Use a brush and liquid detergent to test all gas connections for leaks. Bubbles around connections will indicate a leak. If a leak appears, shut off gas valve controls and adjust connections. Then check connections again. **NEVER TEST FOR GAS LEAKS WITH A MATCH OR OTHER FLAME.** Clean all detergent solution from cooktop.



13. Plug the power supply cord into the grounded outlet.

14. Place burner grates over burners.

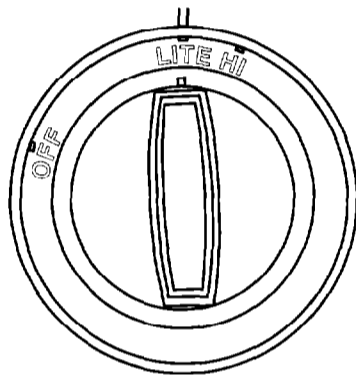
Initial lighting and gas flame adjustments depend on type of system — electronic ignition or standing pilot. Raise cooktop and check which system is available. Continue installation, following steps under the heading for this cooktop's system.



Electronic Ignition System

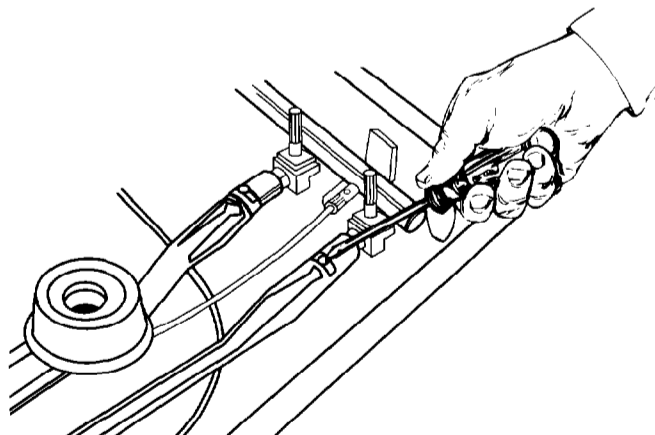
Electronic ignition systems operate within wide voltage limits but proper grounding and polarity is necessary. In addition to checking that the outlet provides 120-volt power and is correctly grounded, the outlet must be checked by a qualified electrician to see if it is wired with correct polarity.

Cooktop burners use electronic igniters in place of standing pilots. When the cooktop control knob is pushed in and turned to the "LITE" position, the system creates a spark to light the burner. This sparking continues until the control knob is turned to the desired setting.



15. Check the operation of the cooktop burners. Push in and turn each control knob to "LITE" position. The flame should light within 4 seconds. **Do Not leave the knob in the "LITE" position after burner lights.**

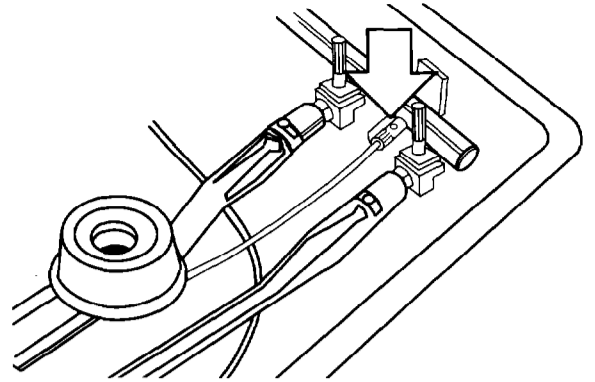
16. After burner lights, turn control knob to "HI" position. Check each cooktop burner for proper flame. The small inner cone should have a very distinct blue flame approximately 1/2" long. The outer cone is not as distinct as the inner cone.



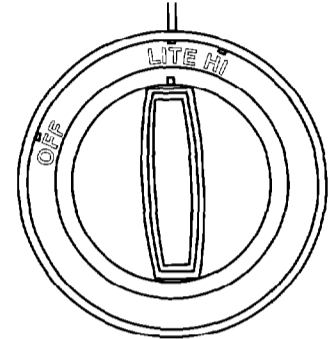
17. If burners need adjusting for proper flame, adjust the air shutter to the widest opening that will not cause the flame to lift or blow off the burner. Repeat as necessary with each burner.

18. Push in and turn each control knob to the "LITE" position and then to the low position. The low flame should be a minimum, steady, blue flame. To adjust the burner, remove the control knob and turn the adjustment screw in the center of the valve stem. Check the adjustment by running the control knob from "HI" to low several times. The burner is properly adjusted when the low flame remains steady and the burner does not go out. Check each burner.

Standing Pilot System

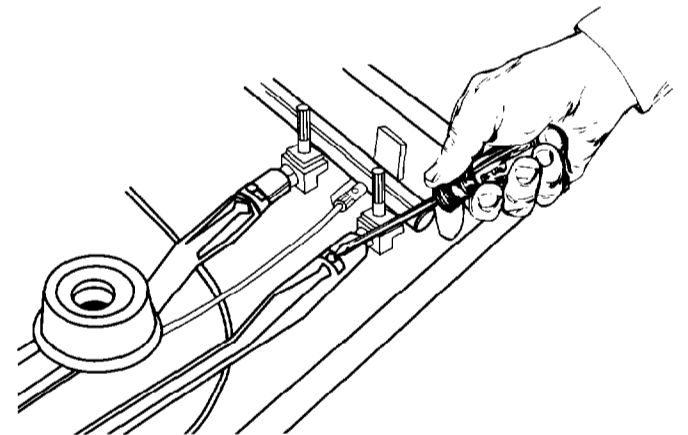


15a. Be sure all control knobs are in the "OFF" position. Raise the cooktop. Use a match to light both pilots. Adjust pilot adjustment screw so pilot flame tip is 1/4" to 3/8" high and centered in the hole in the pilot housing. If the flame is too high, carbon (soot) will accumulate under the cooktop.



16a. Check the operation of the cooktop burners. Push in and turn each control knob to "LITE" position. The flame should light within 4 seconds. **Do not leave the knob in the "LITE" position after burner lights.**

17a. After burner lights, turn control knob to "HI" position. Check each cooktop burner for proper flame. The small inner cone should have a very distinct blue flame 1/4" to 1/2" long. The outer cone is not as distinct as the inner cone.



18a. If burners need adjusting for proper flame, adjust the air shutter to the widest opening that will not cause the flame to lift or blow off of the burner. Repeat as necessary with each burner.

19a. Push in and turn each control knob to the "LITE" position and then to the low position. The low flame should be a minimum, steady, blue flame. To adjust the burner, remove the control knob and turn the adjustment screw in the center of the valve stem. Check the adjustment by running the control knob from "HI" to low several times. The burner is properly adjusted when the low flame remains steady and the burner does not go out. Check each burner.

You have just finished installing your new cooktop. To get the most efficient use from your new cooktop, read your Use & Care Guide. Keep Installation Instructions and Guide close to cooktop for easy reference. The instructions will make reinstalling your cooktop in another home as easy as the first installation.

L.P. gas conversion

Converting to L.P. gas

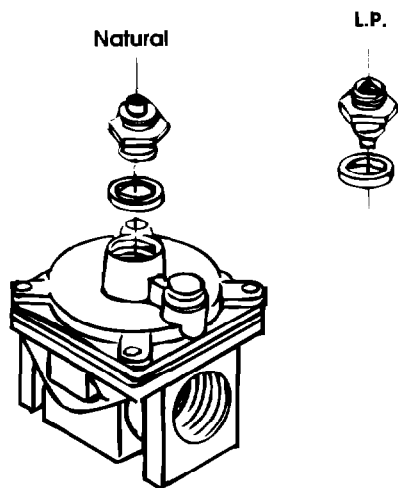
Converting to L.P. gas should be done by a qualified installer.

! WARNING

Fire Hazard

- Shut off main gas supply line valve.
- Make all conversions before turning gas supply valve back on.

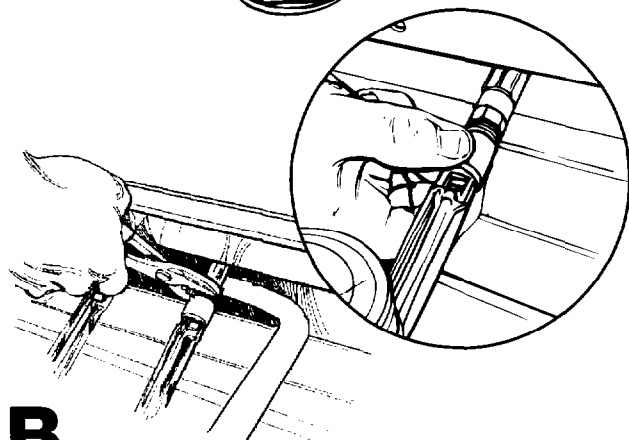
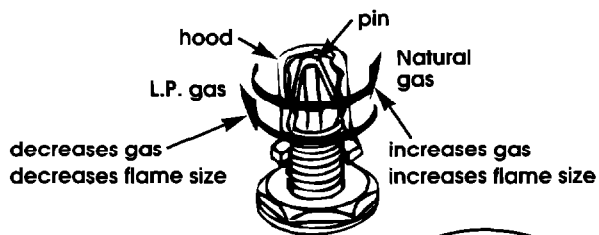
Failure to follow these instructions could result in fire, explosion or other personal injury.



A. Complete installation instructions, Steps 1-10 before converting your cooktop to L.P. gas.

Pressure Regulator:

Use a wrench to unscrew the cap from the top by turning counterclockwise. Turn the cap over so the hole end is up. Replace the cap and gasket on the regulator. **DO NOT REMOVE THE PRESSURE REGULATOR.**

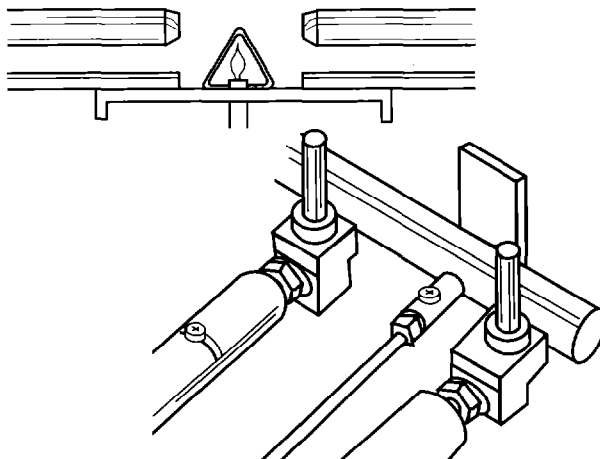


B.

Turn the orifice hoods down until snug against pin (approximately 2 to 2-1/2 turns). **DO NOT OVERTIGHTEN.** The burner flames cannot be properly adjusted if this conversion is not made.

Adjusting for proper flame

Adjust the air shutters for proper flame by sliding the air shutter to close or open the shutter as needed. See Panel D, Steps 16 - 18 for electrical ignition systems or Steps 17a - 19a for standing pilot systems. L.P. gas has a slightly yellow tip on top of burner flames in addition to the other proper characteristics.



Cooktop burners with standing pilots require adjustment of pilot flame to 1/4" high. The adjustment control is located on the manifold pipe or at pilot flame base depending on the model.

C.

After all the burners have been converted to L.P. gas usage, complete Steps 11 - 13, Panel D.

Converting from L.P. gas to Natural gas

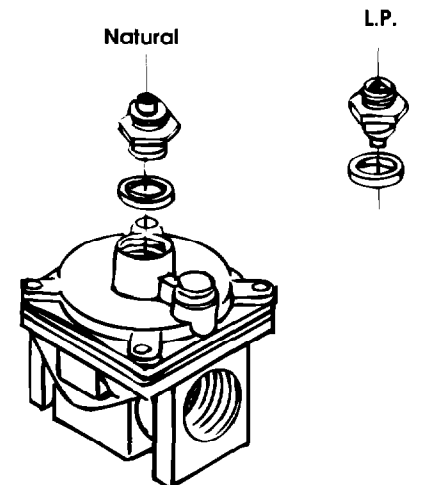
Converting to Natural gas should be done by a qualified installer.

! WARNING

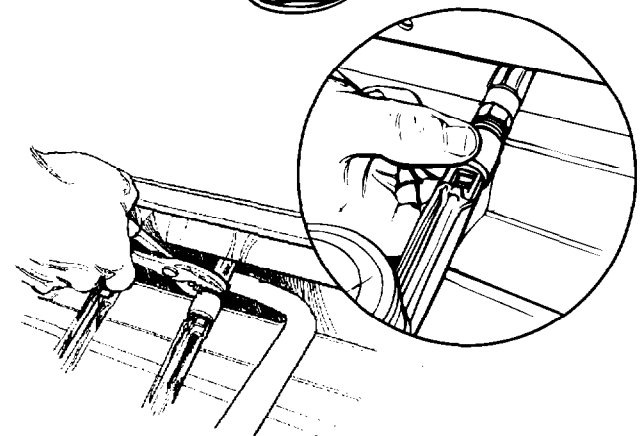
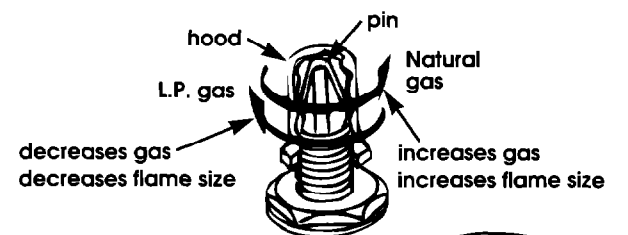
Fire Hazard

- Shut off main gas supply line valve.
- Make all conversions before turning gas supply valve back on.

Failure to follow these instructions could result in fire, explosion or other personal injury.



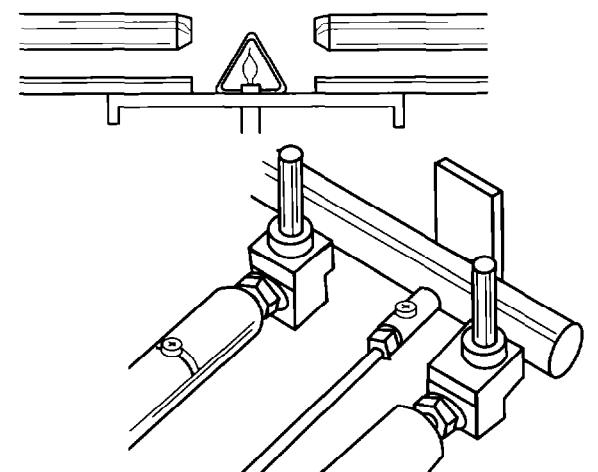
A. **Pressure Regulator:** Use a wrench to unscrew the cap from the top by turning counterclockwise. Turn the cap over so the hole end is down. Replace the cap and gasket on the regulator. **DO NOT REMOVE THE PRESSURE REGULATOR.**



B. Loosen the orifice hoods away from pins 2 to 2-1/2 turns. The burner flames cannot be properly adjusted if this conversion is not made.

Adjusting for proper flame

Adjust the air shutters for proper flame by sliding the air shutter to close or open the shutter as needed. See Panel D, Steps 16 - 18 for electrical ignition systems or Steps 17a - 19a for standing pilot systems.



Cooktop burners with standing pilots require adjustment of pilot flame to 1/4" high. The adjustment control is located on the manifold pipe or at pilot flame base depending on the model.

If cooktop does not operate...

- Check that the circuit breaker is not tripped or house fuse blown.
- Check that power supply cord is plugged into wall receptacle.
- Check that gas valves are turned to the "ON" position.
- A more detailed troubleshooting checklist is provided in the Use and Care Guide.

If you need assistance...

Check your Use and Care Guide for a toll-free number to call or call the dealer from whom you purchased this appliance. The dealer is listed in the Yellow Pages of your phone directory under "Appliances — Household — Major — Service or Repair."

When you call, you will need the cooktop model number and serial number. Both numbers can be found on the serial/rating plate located under the cooktop.

Care, cleaning and maintenance

If removing the cooktop is necessary for cleaning or maintenance, shut off gas supply. Disconnect the gas and electric supply.

Remove the mounting bracket on the right and left side of burner box. Lift cooktop out of countertop to complete cleaning or maintenance.

Reinstall cooktop in countertop and secure with mounting screws. Check that front edge of cooktop is parallel to front edge of countertop. Connect gas and electrical supplies. Check gas connection for leaks as described in installation steps.

